



Subsoil Chisel Plow
with TWO or THREE SHANKS
MODELS: SCP-23, SCPH-23
SCP-33, SCPH-33
OPERATOR'S MANUAL
REPAIR PARTS MANUAL

LANDOLL COMPANY, LLC
1900 North Street
Marysville, Kansas 66508
(785) 562-5381
800-428-5655 ~ **WWW.LANDOLL.COM**

SUBSOIL CHISEL PLOW

SCP- 23 & SCP- 33

CONTENTS

Introduction	3
Location Reference	3
Parts Ordering	3
Safety Suggestions	4
Safety Signs	4
Safety Sign Location	5
Set-Up Instructions	6
Shank Assembly	6
Support Stands	7
Maintenance	7
Machine Specifications	8
Repair Parts	9
Frame Assembly	10
Shank Assembly	12
Repair Parts Index	14

Introduction

Your Brillion Sub-soil Chisel Plow is built with the best materials and workmanship available. It has been designed to give years of trouble-free operation. Proper care and operation will insure that you receive the service and long life built into this machine.

Study this manual carefully before attempting to operate the machine. If items in the manual are not understood, contact your local Brillion dealer.



This **safety alert symbol** is used to call your attention to **instructions concerning your personal safety**. It is found on your machine and in this manual. It is important to pay attention the the precautions indicated and to **be alert to the possibility of personal injury or death**.

Federal law requires you to explain the safety and operating instructions furnished with this machine to all employees before they are allowed to operate the machine. These instructions must be repeated to the employees at the beginning of each season. **Be sure to observe and follow these instructions for your own and your employee's safety.**

Location Reference

Right hand, left hand, and forward designations are determined by standing behind the machine and facing the direction it will travel during field operation.

Parts Ordering

When ordering parts for this machine, include the complete model number and serial number. Refer to the nameplate located on the right side of the center frame plates. Please read and record this number upon taking delivery of this machine. See Figure 1.

Machine Model No. _____

Serial Number _____

Date Purchased _____

Be sure to read the Warranty Form which is provided. Return the proper portion of the Warranty Form for recording at the factory.

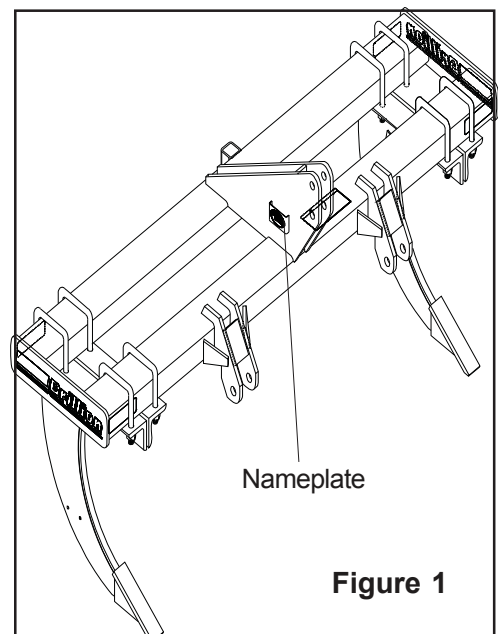


Figure 1



SAFETY SUGGESTIONS

Investigation has shown that nearly one-third of all farm accidents are caused by careless use of machinery. You can do your part in improving safety by observing the following suggestions. Insist that all people working with you or for you abide by them.

1. Never turn corners at a high rate of speed.
2. Never work under the chisel plow unless it is securely blocked up and cannot be knocked off the blocks.
3. Always take care in raising and lowering the chisel plow, and be certain that no one is in the way.
4. Never allow passengers to ride on the chisel plow.
5. Display the Slow Moving Vehicle emblem when traveling on roads.
6. When traveling on the road at night, make sure that reflective decals and accessory warning lights are mounted and visible on the machine. Local regulations should be checked first, and if there are none, the chisel plow owner should take the initiative to make his machine noticeable at night.



SAFETY WARNING SIGNS

The “WARNING” signs illustrated on this page are placed on the machine to warn of hazards. The warnings found on the sign are for your personal safety and those around you. Their locations on the machine are shown on the following page. **OBSERVE THESE WARNINGS!**

Keep these signs clean so they can be observed readily. Wash with soap and water or cleaning solution as required.

Replace “WARNING” signs should they become damaged, painted over or if they are missing.

When replacing decals, clean the machine surface thoroughly using soap and water or cleaning solution to remove all dirt and grease.

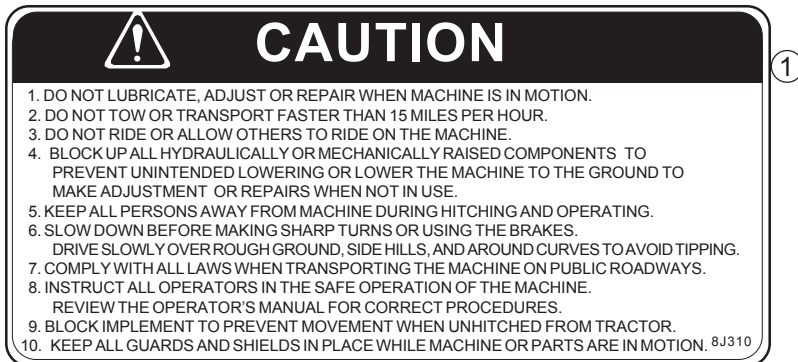


Figure 2A



1. 8J310 - Decal, “Caution” list
2. 2J430 - Decal, Reflective Red
3. 2J431 - Decal, Reflective Amber

DECAL LOCATIONS

1. 8J310 - Decal, "Caution" list
2. 2J430 - Decal, Reflective Red
3. 2J431 - Decal, Reflective Amber
4. 8K829 - Decal, Deep Till Caution
5. 4K036 - Decal "Brillion"

Figure 2B



SET-UP INSTRUCTIONS

Your Brillion Subsoil Chisel Plow is shipped to you in separate assemblies. Before assembling the unit, separate the various bundles and open the box assembly, taking care not to lose any of the parts or hardware. (Refer to repair parts section for relative location of parts.)

Block up the frame or mount it to the three point hitch on the tractor for the assembly of shanks.



Securely block machine when working on or under it to prevent injury in case of hydraulic failure or inadvertent lowering by another person.

Assemble the shanks, as shown in Figure 3

1. Assemble the angles to the frame. Right- and Left-hand angles are fastened to the underside of the frame tube with with 3/4" U-bolts, lockwashers, and hex nuts, but do not tighten u-bolts completely at this point.
2. Assemble the shank between the mounting angles and install the bolts through the angles, shanks and lock nuts as shown, with two 5/8" x 3 3/4" long bolts at the front and a 3/4" x 3 1/2" bolt at the rear.
3. Adjust shanks to the desired spacing and tighten the u-bolts.

NOTE:
TIGHTEN THESE BOLTS UNTIL THE ANGLES ARE JUST SNUG AGAINST THE SHANK.

THE BOLTS SHOULD BE EASILY TURNED WITH A WRENCH ON THE BOLT HEAD WHEN CORRECTLY TIGHTENED.

OVER TIGHTENING THESE BOLTS WILL NOT ALLOW THE SHANK TO PIVOT AND SHEAR THE FRONT BOLT IF AN OBSTRUCTION IS HIT.

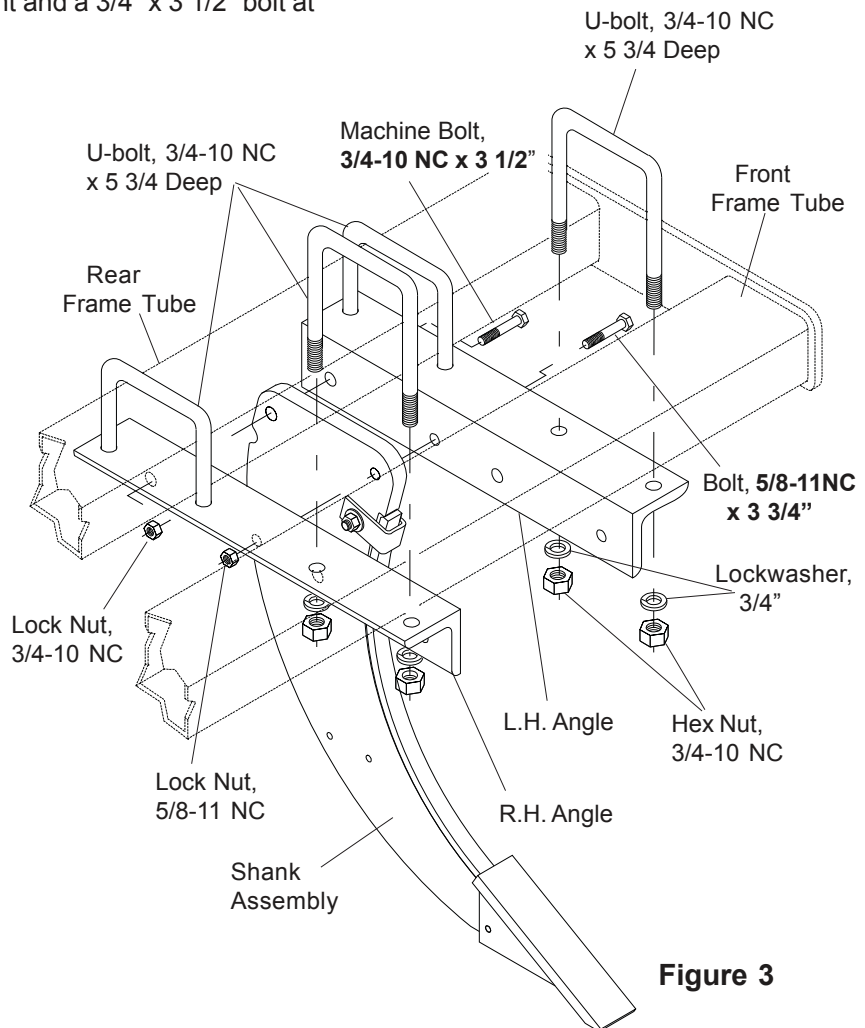


Figure 3

SUPPORT STANDS

Assemble the support stand through the vertical tube at the rear of the frame. Insert the 1/4 x 2 1/4" long cotter pins in the top holes of the support stand to prevent it from falling out when the machine is raised. When the machine is idle and not mounted to the tractor, the 1/2 x 3" long clevis pin, inserted in the middle holes, will prevent the unit from tipping. Then when you raise the machine for working or for transport, remove the clevis pins, raise the support stand all the way up and insert pin in the lowest hole. This will keep the support stand up and out of the way while the machine is in use.

MAINTENANCE

After the first 5 or 6 hours of operation, go over the machine and tighten all nuts with lockwashers which might be loose.

Check shank bolts daily. -Refer to set up instructions for correct tightness.

Normal periodic checks should be made thereafter.

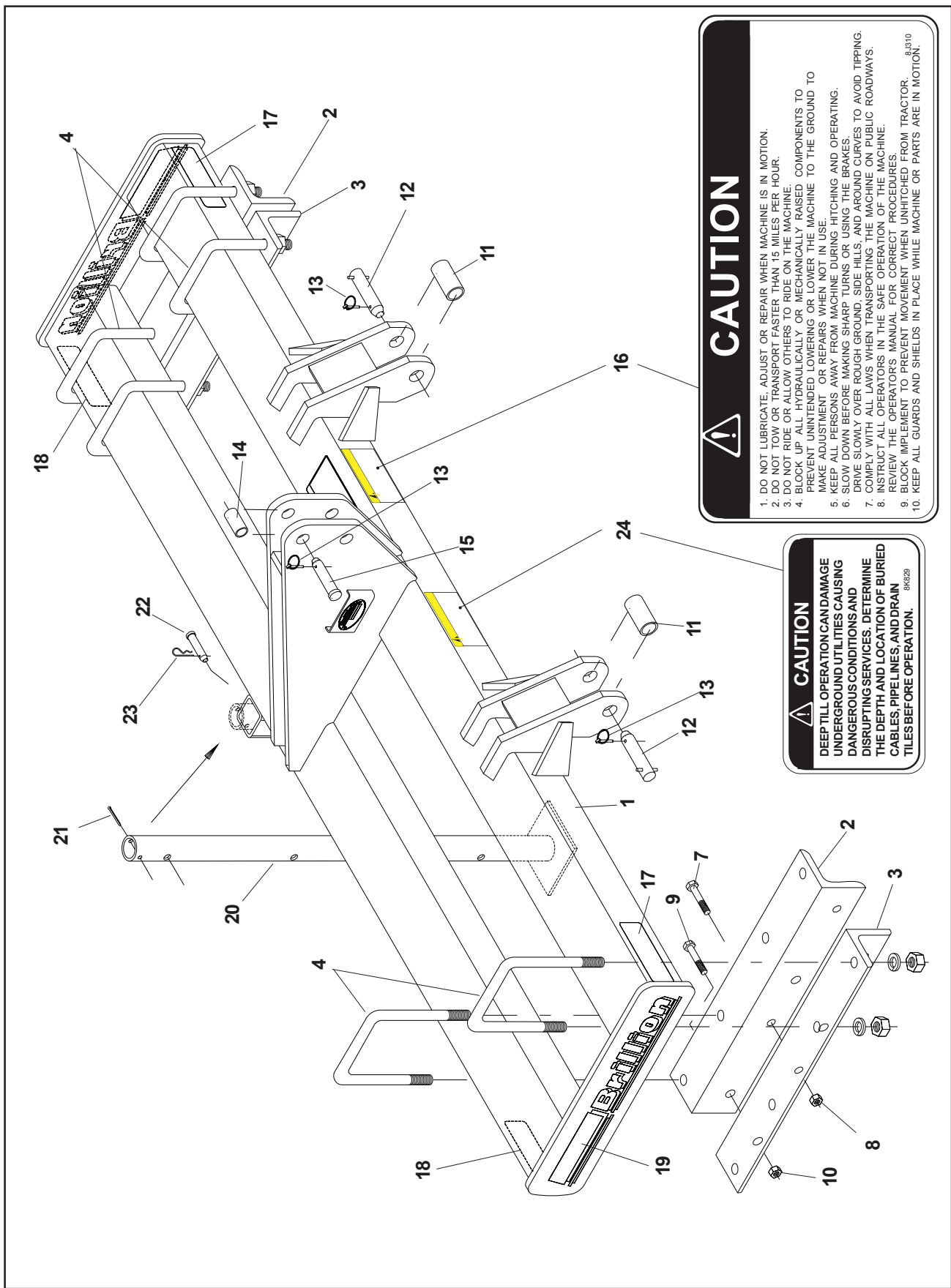
MACHINE SPECIFICATIONS
(Subject to change without notification)

Model	Weight
SCP-23	668
SCP-33	837
SCPH-23	708
SCPH-33	868

Shanks: 1" thick, high strength ductile iron
Standard Models 29" Underframe clearance
"H" High Clearance Models 35" Underframe clearance

Overall Width: 90"
Working Depth: 0 to 16"

Hitch: Pins provided designed to work with Category II three-point hitch



CAUTION

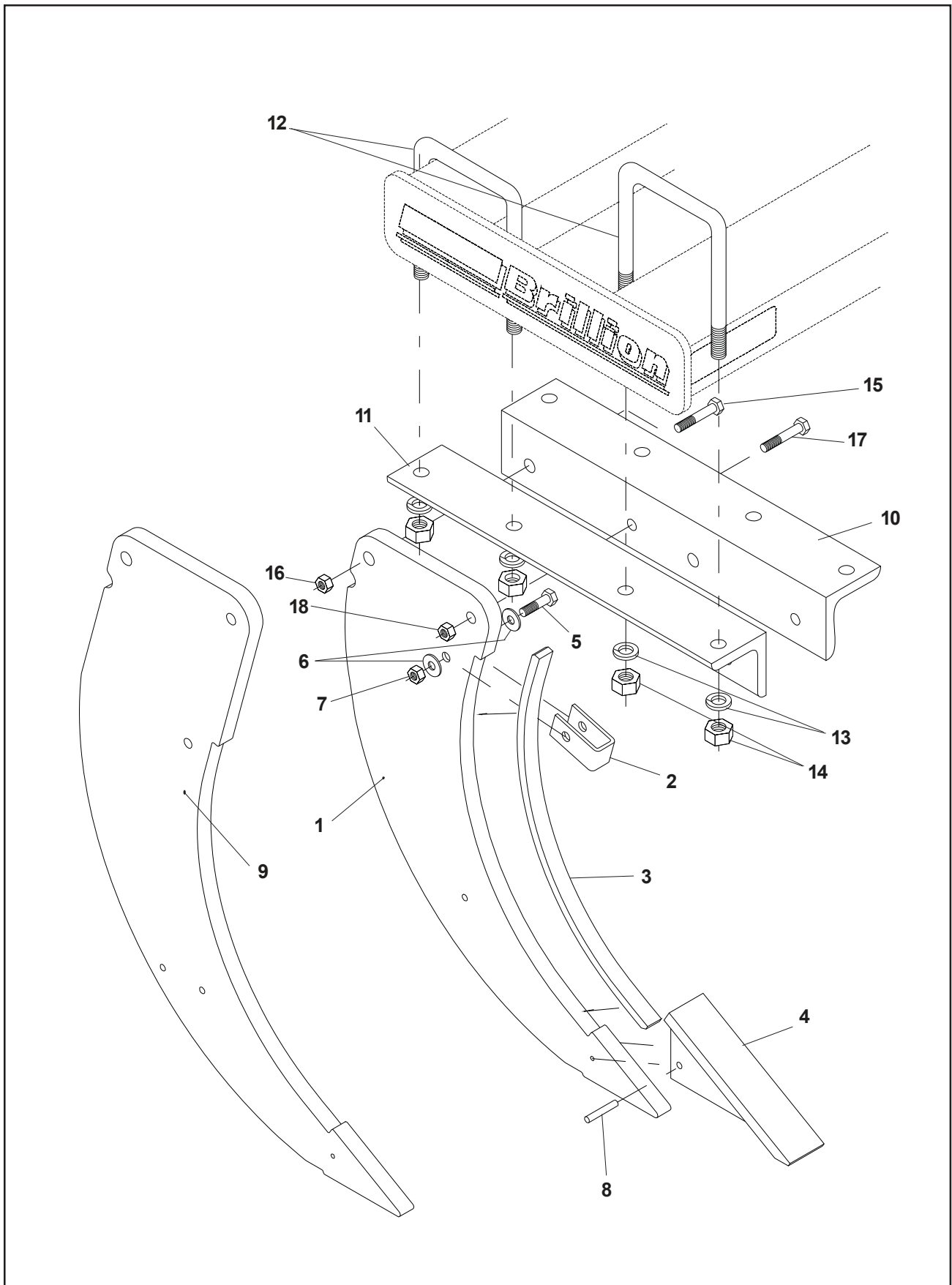
1. DO NOT LUBRICATE, ADJUST OR REPAIR WHEN MACHINE IS IN MOTION.
2. DO NOT TOW OR TRANSPORT FASTER THAN 15 MILES PER HOUR.
3. DO NOT RIDE OR ALLOW OTHERS TO RIDE ON THE MACHINE.
4. BLOCK UP ALL HYDRAULICALLY OR MECHANICALLY RAISED COMPONENTS TO PREVENT UNINTENDED LOWERING OR LOWER THE MACHINE TO THE GROUND TO MAKE ADJUSTMENT OR REPAIRS WHEN NOT IN USE.
5. KEEP ALL PERSONS AWAY FROM MACHINE DURING HITCHING AND OPERATING.
6. SLOW DOWN BEFORE MAKING SHARP TURNS OR USING THE BRAKES.
7. DRIVE SLOWLY OVER ROUGH GROUND, SIDE HILLS AND AROUND CURVES TO AVOID TIPPING.
8. COMPLY WITH ALL LAWS WHEN TRANSPORTING THE MACHINE ON PUBLIC ROADWAYS.
9. INSTRUCT ALL OPERATORS IN THE SAFE OPERATION OF THE MACHINE.
10. REVIEW THE OPERATOR'S MANUAL FOR CORRECT PROCEDURES.
11. BLOCK IMPLEMENT TO PREVENT MOVEMENT WHEN UNHITCHED FROM TRACTOR.
12. KEEP ALL GUARDS AND SHIELDS IN PLACE WHILE MACHINE OR PARTS ARE IN MOTION.

CAUTION

DEEP TILL OPERATION CAN DAMAGE UNDERGROUND UTILITIES CAUSING DANGEROUS CONDITIONS AND DISRUPTING SERVICES. DETERMINE THE DEPTH AND LOCATION OF BURIED CABLES, PIPE LINES, AND DRAIN TILES BEFORE OPERATION.

86029

FRAME ASSEMBLY & STAND					
Index No.	Part No.	Description	No. -Req'd		Weight
			Model		
			-23	-33	
-	7K251	Frame Assembly w/out shanks (items 1-19)	1	1	520.0
1	6K989	Frame Weldment	1	1	360.0
-	7K252	Mounting Angle Bundle (items 2-8)	2	3	70.0
2	6K995	L.H. Mounting Angle	2	3	30.5
3	6K996	R.H. Mounting Angle	2	3	30.5
4	3J450	U-Bolt, 3/4" x 5 3/4" deep	8	12	1.86
5	1C211	Lock Washer, 3/4"	16	24	-
6	1C210	Hex Nut, 3/4-10 NC	16	24	.1
7	8D423	Bolt, 5/8-11 NC x 3 3/4" Long	2	3	.8
8	5C461	Lock Nut, 5/8-11 NC	2	3	.1
9	6D758	Bolt, 3/4-10 NC x 3 1/2" Long	2	2	.5
10	6C729	Lock Nut, 3/4-10 NC	2	2	.1
11	5D158	Sleeve	2	2	.46
12	5D156	Clevis Pin	2	2	1.5
13	5D110	Klik Pin, 1/4"	2	2	.05
14	5D157	Sleeve	1	1	.2
15	6D529	Clevis Pin, 1"	1	1	1.0
16	8J310	Decal, Caution List	1	1	-
17	2J431	Decal, Amber Reflective	2	2	-
18	2J430	Decal, Red Reflective	2	2	-
19	4K036	Decal, Brillion	2	2	-
20	9D047	Support Stand	1	1	9.4
21	6D049	Cotter Pin, 1/4" dia. x 2 1/2" Long	1	1	-
22	3C335	Clevis Pin, 1/2" dia. x 3" Long	1	1	.1
23	6C400	Hairpin Cotter	1	1	-
24	8K829	Decal, Deep Till Caution	1	1	-



SHANK ASSEMBLY

Index No.	Part No.	Description	No. Req'd		Weight
			Model		
			-23	-33	
-	1J480	Shank Assembly, [26 1/2" shanks - SCP models] (Items 1-8)	2	3	79.0
-	4K735	Shank Assembly, [32 1/2" shanks - SCPH models] (Items 2-9)	2	3	81.6
1	1J479	26 1/2" Shank only, SCP-23 & SCP-33	2	3	69.0
2	1J484	Clamp	2	3	.5
3	1J485	Wearstrip	2	3	3.4
4	1J481	Point	2	3	6.0
5	1J486	Capscrew, 1/2-13 NC x 2 1/4" Long Gr. 5	2	3	.2
6	1C120	Flat Washer, 1/2"	4	6	-
7	5C392	Lock Nut, 1/2-13 NC	2	3	-
8	1C659	Roll Pin, 1/4" x 1 1/2" Long	2	3	-
9	4K656	32 1/2" Shank only, SCPH-23 & SCPH-33	2	3	71.6
10	6K995	L. H. Angle	2	3	30.5
11	6K996	R. H Angle	2	3	30.5
12	3J450	U-Bolt, 3/4" x 5 3/4" deep	8	12	1.86
13	1C211	Lock Washer, 3/4"	16	24	-
14	1C210	Hex Nut, 3/4-10 NC	16	24	.1
15	6D758	Bolt, 3/4-10 NC x 3 1/2" Long	2	2	.5
16	6C729	Lock Nut, 3/4-10 NC	2	2	.1
17	8D423	Bolt, 5/8-11 NC x 3 3/4" Long	2	3	.8
18	5C461	Lock Nut, 5/8-11 NC	2	3	.1

Repair Parts Index

Part No.	Index No.	Page No.	Part No.	Index No.	Page No.	Part No.	Index No.	Page No.
C			4K735	13	-			
			6K009	11	-			
1C120	13	6	6K989	11	1			
1C210	11	6	6K995	11	2			
1C210	13	14	6K995	13	10			
1C211	11	5	6K996	11	3			
1C211	13	13	6K996	13	11			
1C659	13	8	7K252	11	-			
3C335	11	22	8K829	4	4, 5			
5C392	13	7		24	11			
5C461	11	8						
5C461	13	18						
6C400	11	23						
6C729	11	10						
6C729	13	16						
D								
5D110	11	13						
5D156	11	12						
5D157	11	14						
5D158	11	11						
6D049	11	21						
6D529	11	15						
6D758	11	9						
6D758	13	15						
8D423	11	7						
8D423	13	17						
9D047	11	20						
J								
1J479	13	1						
1J480	13	-						
1J481	13	4						
1J484	13	2						
1J485	13	3						
1J486	13	5						
2J430	11	18						
2J431	11	17						
3J450	11	4						
3J450	13	12						
8J310	11	16						
K								
4K036	11	19						
4K656	13	9						



Intertek

Equipment from Landoll Company, LLC is built to exacting standards ensured by ISO 9001 registration at all Landoll manufacturing facilities.

Subsoil Chisel Plow with 2 or 3 Shanks

Models: SCP-23, SCPH-23,
SCP-33, SCPH-33

Operator's and Parts Manual

Re-Order Part Number 7K299

LANDOLL COMPANY, LLC

1900 North Street

Marysville, Kansas 66508

(785) 562-5381

800-428-5655 ~ WWW.LANDOLL.COM



Copyright 2020. Landoll Company, LLC

“All rights reserved, including the right to reproduce this material or portions thereof in any form.”