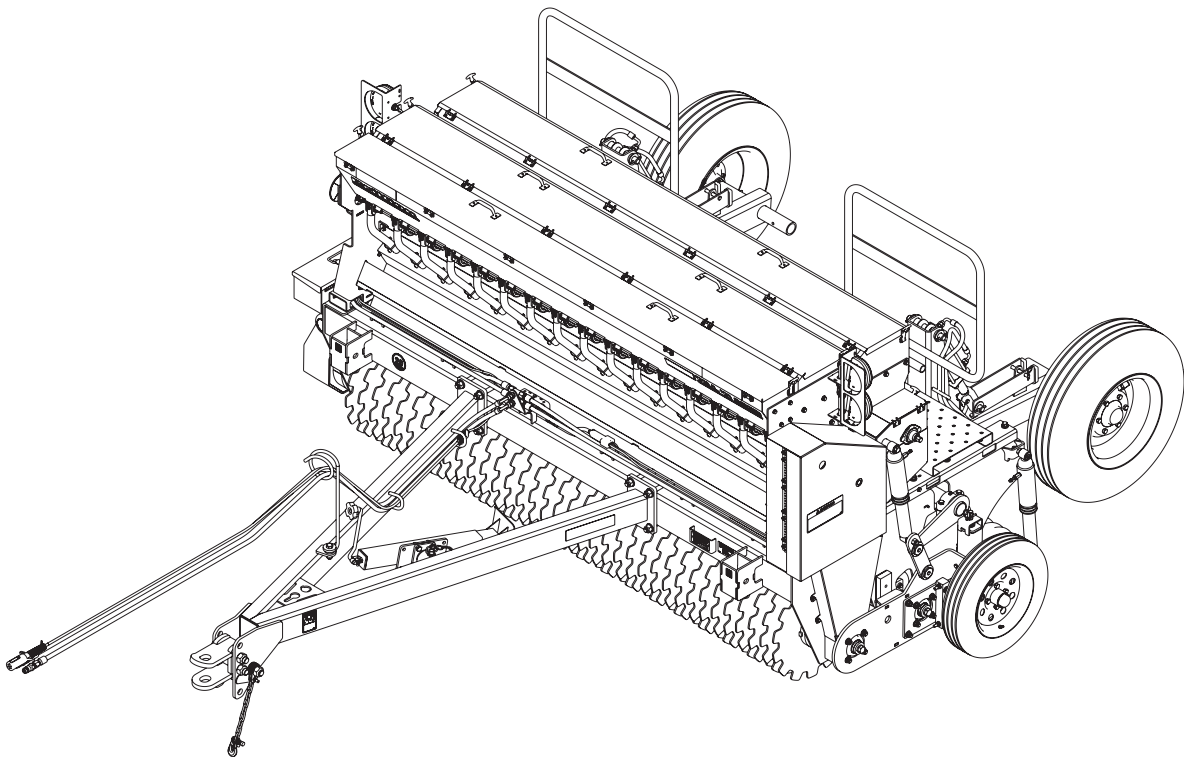




Till 'N Seed[®]
Models BPSB-8, BPSBP-8,
BPSBA-8, BPSBAP-8
Parts Manual



LANDOLL COMPANY, LLC

1900 North Street

Marysville, Kansas 66508

(785) 562-5381

800-428-5655 ~ WWW.LANDOLL.COM

Manuals for Till 'N Seed® - BPSB-8, BPSBP-8, BPSBA-8, BPSBAP-8

Manual Number	Manual Type
F-1097	Operator's Manual
F-1096	Parts Manual

Table of Contents

1 Illustrated Parts List

Instructions for Ordering Parts	1-1
3-PT Hitch and Railing	1-2
Drawbar	1-4
Lift Rockshaft	1-6
6-Bolt Hub and Spindle Assembly	1-8
Wheel Assembly	1-9
Frame, Baffles and Parking Stands	1-10
Rear Firming Roller and Air Shock	1-12
Rear Firming Roller Assembly	1-14
LH Swing Arm and Rotors	1-16
RH Swing Arm and Rotors	1-18
Drive Rotor Assembly	1-20
Tillage Rotor Assembly	1-21
Rotor Rockshaft	1-22
Rotor Drive Chain	1-24
Gauge Wheel	1-26
4-Bolt Hub and Spindle Assembly	1-28
Rear Step	1-29
Seed Box Frame and Covers	1-30
Large Meter Seed Box Assembly	1-32
Large Meter Seed Shaft	1-34
Micro-Meter Seed Box Assembly	1-35
Micro-Meter Seed Shaft	1-36
Seed Box Transmission	1-38
Seed Box Drive Chain	1-40
Seed Box Seed Shaft Adjusters	1-41
Calibration Tray and Deflector	1-42
Agitator Box Frame and Cover	1-44
Agitator Box Assembly	1-46
Agitator Transmission	1-48
Agitator Box Drive Chain	1-50
Agitator Box Deflectors	1-51
Upper to Lower Frame Assembly	1-52
Standard Boxes Shock	1-54
Agitator Box Shock	1-56
Standard Shields and Walk Planks	1-58
Agitator Box Shield and Walk Plank	1-59
Hydraulic Layout	1-60
Electric Layout	1-62
Acre Meter - Optional	1-64
Acre Meter Assembly - Optional	1-66
Dual Wheel Kit - Optional	1-67
Hydraulic Cylinder, 3 x 8 - Prince	1-69

Decals 1-70
Decal Locations 1-72

2 Glossary

3 Index

Illustrated Parts List

Instructions for Ordering Parts

**** Repair parts must be ordered through an authorized dealer ****

DEALER INSTRUCTIONS FOR ORDERING PARTS FROM LANDOLL PARTS DISTRIBUTION CENTER

PHONE #: 800-423-4320 OR 785-562-5381

FAX #: 888-527-3909

ORDER ONLINE: Dealer.landoll.com

IDENTIFICATION PLATE

SEE FIGURE 1-1 for the Identification Plate, which lists the model and serial number of the equipment. It is located on the left side of the **Till 'N Seed**®.

SERIAL NUMBER NOMENCLATURE

The serial number for the **Till 'N Seed**® is located on the identification plate. The following information will help decode the Landoll serial number.

AGD22000100 = xxmysssss

xx	= model series (i.e. "AG" for all AG Seeder)
m	= month of manufacture (ex. "D" means April. The letter I is not used.)
yy	= last digits of the year manufactured (ex. "22" means 2022)
sssss	= Sequential number used to track warranty and service information.

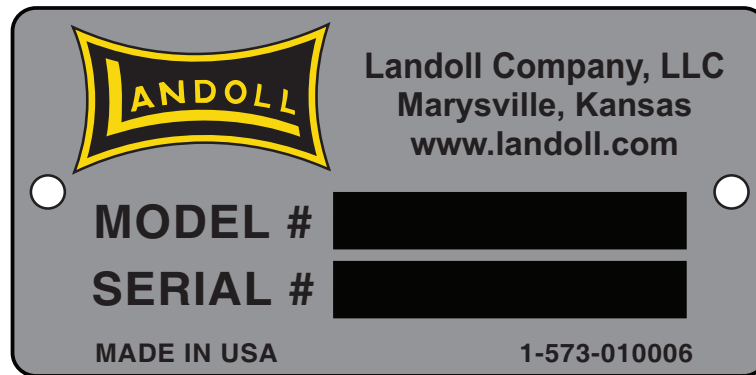


Figure 1-1: Identification Plate

3-PT Hitch and Railing

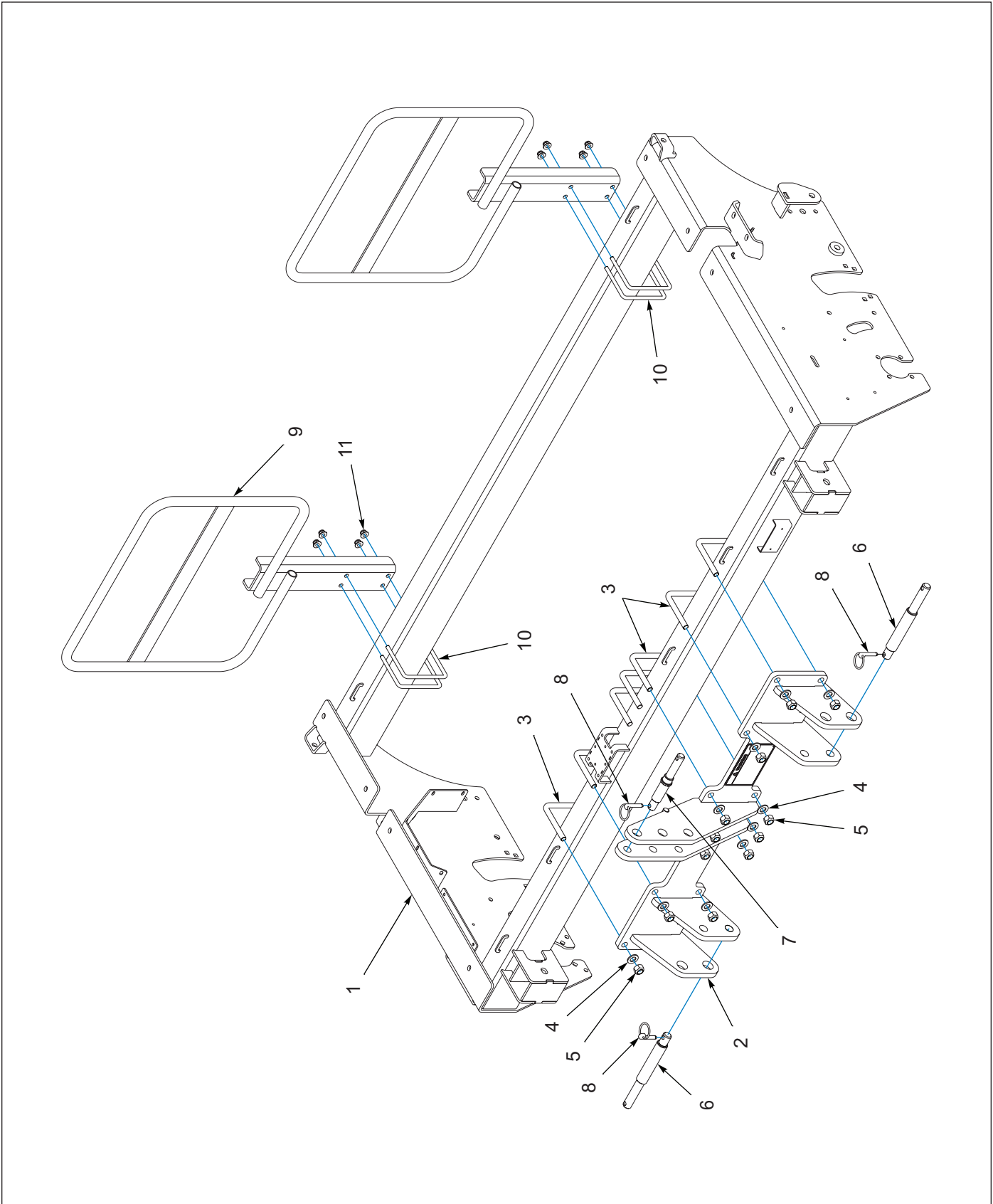


Figure 1-2: 3-PT Hitch and Railing

3-PT Hitch and Railing

ITEM	PART NUMBER	DESCRIPTION	QTY
1	241088	FRAME,8FT LOWER	1
2	228573	HITCH, 3 POINT WLDMT	1
3	3J450	U-BOLT 3/4-10 X 6-13/16X 5-3/4	7
4	1-861-010032-20	WASHER, FLAT,3/4 N ZP/CD	14
5	1-512-010005-15	NUT,HEX,SLFLKG GRB 3/4-10	14
6	108841	PIN LOWER 3-POINT	2
7	214050	PIN-TOP LINK	1
8	2-557-010417	PIN, LYNCH CAT III	3
9	228566	RAILING WLDMT	2
10	4J918	U-BOLT 1/2 X 5-1/4 X 6-1/16	4
11	2P253	NUT, FLANGE NY-LOK 1/2-13	8

Drawbar

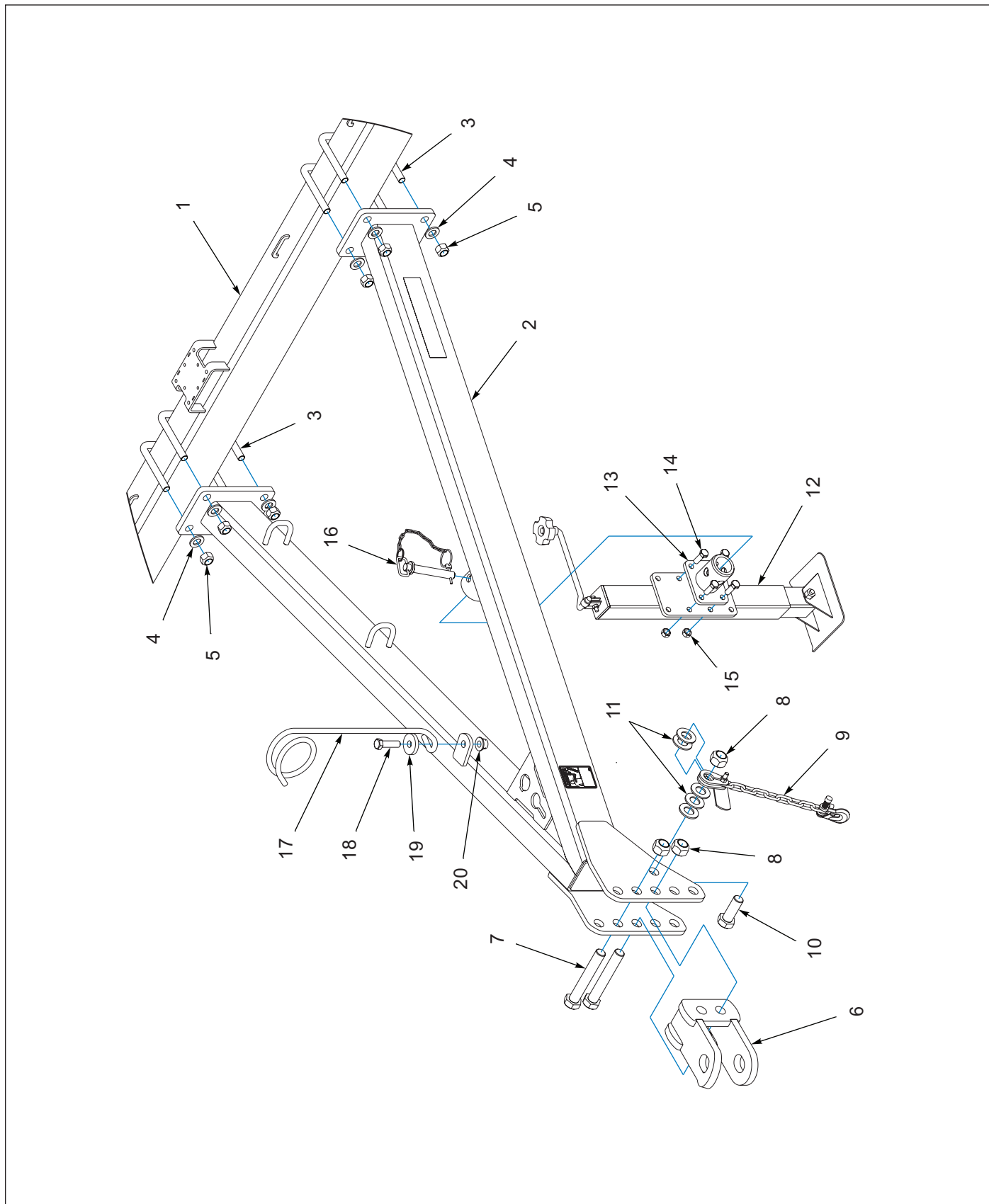


Figure 1-3: Drawbar

Drawbar

ITEM	PART NUMBER	DESCRIPTION	QTY
1	241088	FRAME,8FT LOWER	1
2	229121	DRAWBAR, WLD	1
3	3J450	U-BOLT 3/4-10 X6-13/16X 5-3/4	4
4	1-861-010032-20	WASHER, FLAT,3/4 N ZP/CD	8
5	1-512-010005-15	NUT,HEX,SLFLKG GRB 3/4-10	8
6	226809	HITCH, CAT 2 CLEVIS WLDMT	1
7	100829	SCREW,HEX CAP,1-8X6-1/2,GR5	2
8	1-512-010005-19	NUT 1-8 HEX SLF-LOCKING GRB	3
9	141433	SAFETY CHAIN 11,000LB	1
10	1-654-010065-08	SCREW,HX CP 1-8UNC X 2-3/4GR5	1
11	1-861-010032-24	WASHER FL 1IN NARROW ZP	5
12	2P999	JACK 5000LB	1
13	3P001	JACK MOUNT, 3/4 PIN	1
14	1-654-010055-03	SCREW,HEX CAP,1/2-13UNCX1-1/2	4
15	1-512-010005-09	NUT,HEX,SLFLKG, 1/2-13 GRB	4
16	3P007	PIN, 3/4 W/CHAIN	1
17	6D333	HOSE SUPPORT	1
18	6K970	WASHER 0.656 X 2.063 X 0.375ZP	1
19	1-654-01005-06	SCREW,HEX CAP 5/8-11X2-1/4 G5	1
20	2P254	NUT, FLANGE NY-LOK 5/8-11	1

Lift Rockshaft

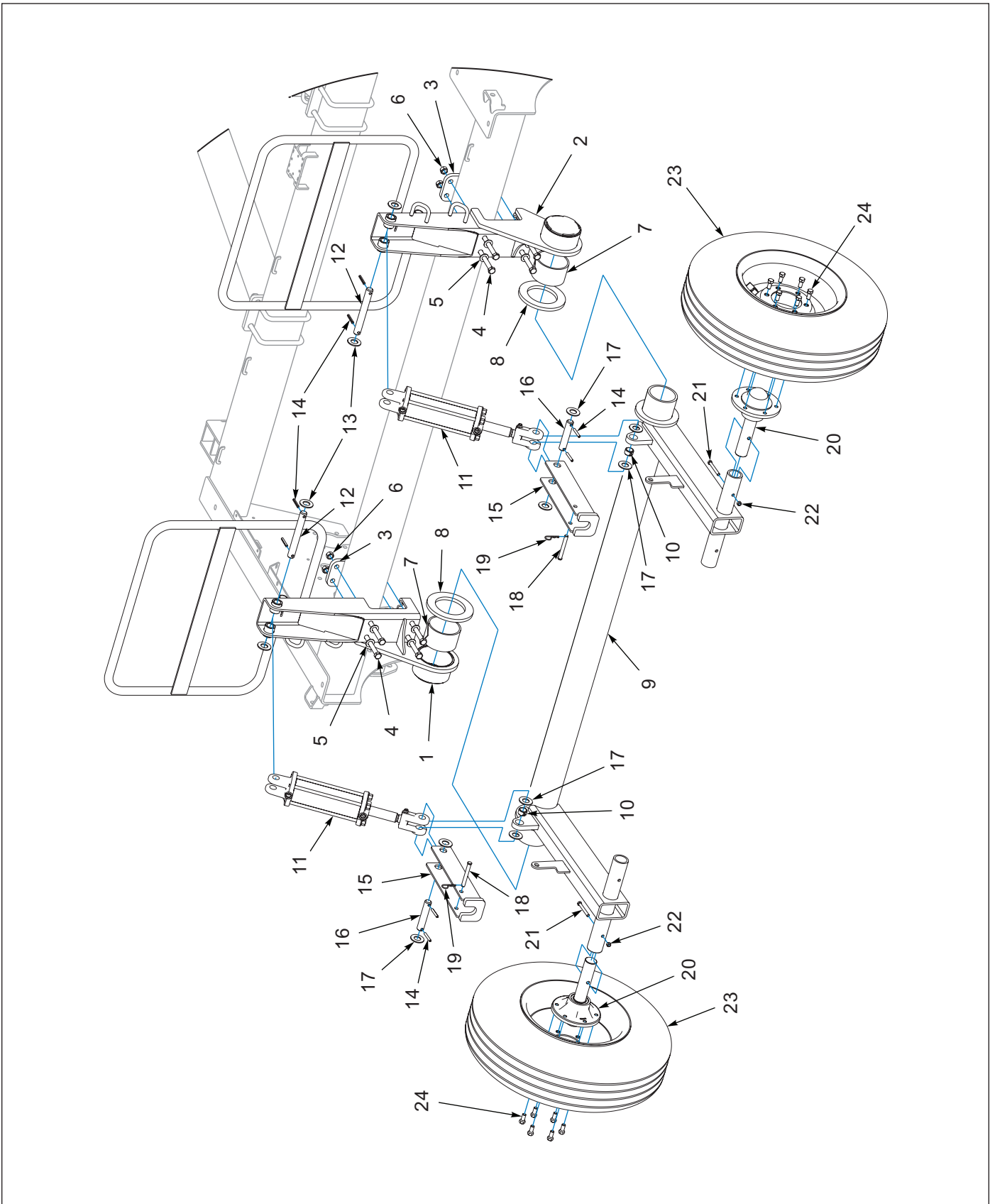


Figure 1-4: Lift Rockshaft

Lift Rockshaft

ITEM	PART NUMBER	DESCRIPTION	QTY
1	228580	MOUNT, LH LIFT WLDMT	1
2	228581	MOUNT, RH LIFT WLDMT	1
3	198619	PLATE,4-HOLE,6" TUBE	2
4	123096	SCREW,HX CP 5/8-11UNCX7.50GR5	8
5	1-861-010032-18	WASHER, FLAT 5/8 N ZP/CD	8
6	1-512-010005-13	NUT,HEX SLFLKG GRB 5/8-11	8
7	164175	BEARING UHMW 4-1/2X3W	2
8	228579	RING, NYLON THRUST	2
9	228578	LIFT ROCKSHAFT WLD	1
10	3P079	SPRING BUSHING,1 X 1.25 X 0.75	2
11	5J280	HYD CYLINDER - 3 X 8 (SEE PAGE 1-69)	2
12	8K113	PIN - 1 X 8	2
13	1-861-010032-24	WASHER FL 1IN NARROW ZP	4
14	147072	PIN, SPRING SLOTTED 5/16 X 2	8
15	219204	TRANSPORT LOCK WLDMT	2
16	8K112	PIN 1 X 5 1/16	2
17	199977	WASHER SS 1.0 X 2.0 X 11GA	8
18	1408092	CLEVIS PIN 1/2 x 4	2
19	6J448	HAIRPIN COTTER 1/8	2
20	6J766	HUB & SPINDLE ASM (SEE PAGE 1-8)	2
21	1-654-010051-13	SCREW,HX CP,3/8-16UNCX3,GR5	2
22	1-512-010005-05	NUT, HEX, SLFLKG GRB 3/8-16	2
23	6K919	WHEEL 8J790/NO TUBE/6D312 (SEE PAGE 1-9)	2
24	5C100	WHEEL BOLT 1/2-20X1 GR5 ZP	12

6-Bolt Hub and Spindle Assembly

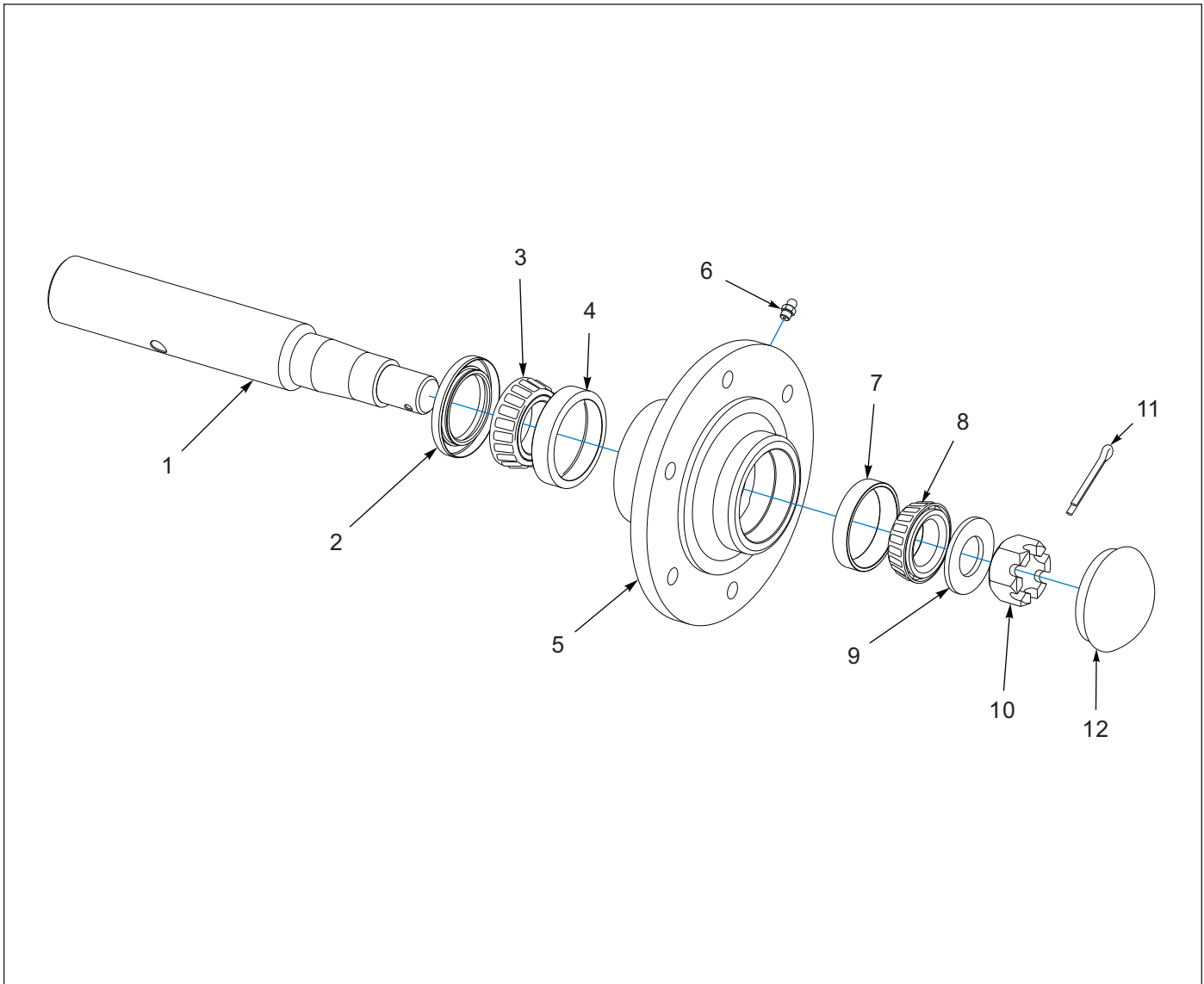


Figure 1-5: 6 Bolt Hub and Spindle Assembly

6-Bolt Hub and Spindle Assembly

ITEM	PART NUMBER	DESCRIPTION	QTY
	6J766	HUB & SPINDLE ASM	1
1	6J765	SPINDLE	1
2	6D338	SEAL	1
3	712099	BEARING,CONE,1.375X2.563X.71 (TIMKEN LM48548)	1
4	2107649	BEARING,CUP,1.375X2.563X.71 (TIMKEN LM48510)	1
5	6D336	WHEEL HUB - 6 BOLT (7002537)	1
6	1-298-010001-1	ZERK FITTING 1/4 SAE	1
7	1-076-010010	CUP INNER (TIMKEN LM67010)	1
8	1-076-010007	CONE INNER (TIMKEN LM67048)	1
9	1-861-010032-24	WASHER FL 1IN NARROW ZP	1
10	1-516-010001-20	NUT, HX SLOT 1-14	1
11	1-557-010362-51	PIN, COTTER 3/16X1-1/2	1
12	1-161-010003	CAP 6BOLT HUB	1

Wheel Assembly

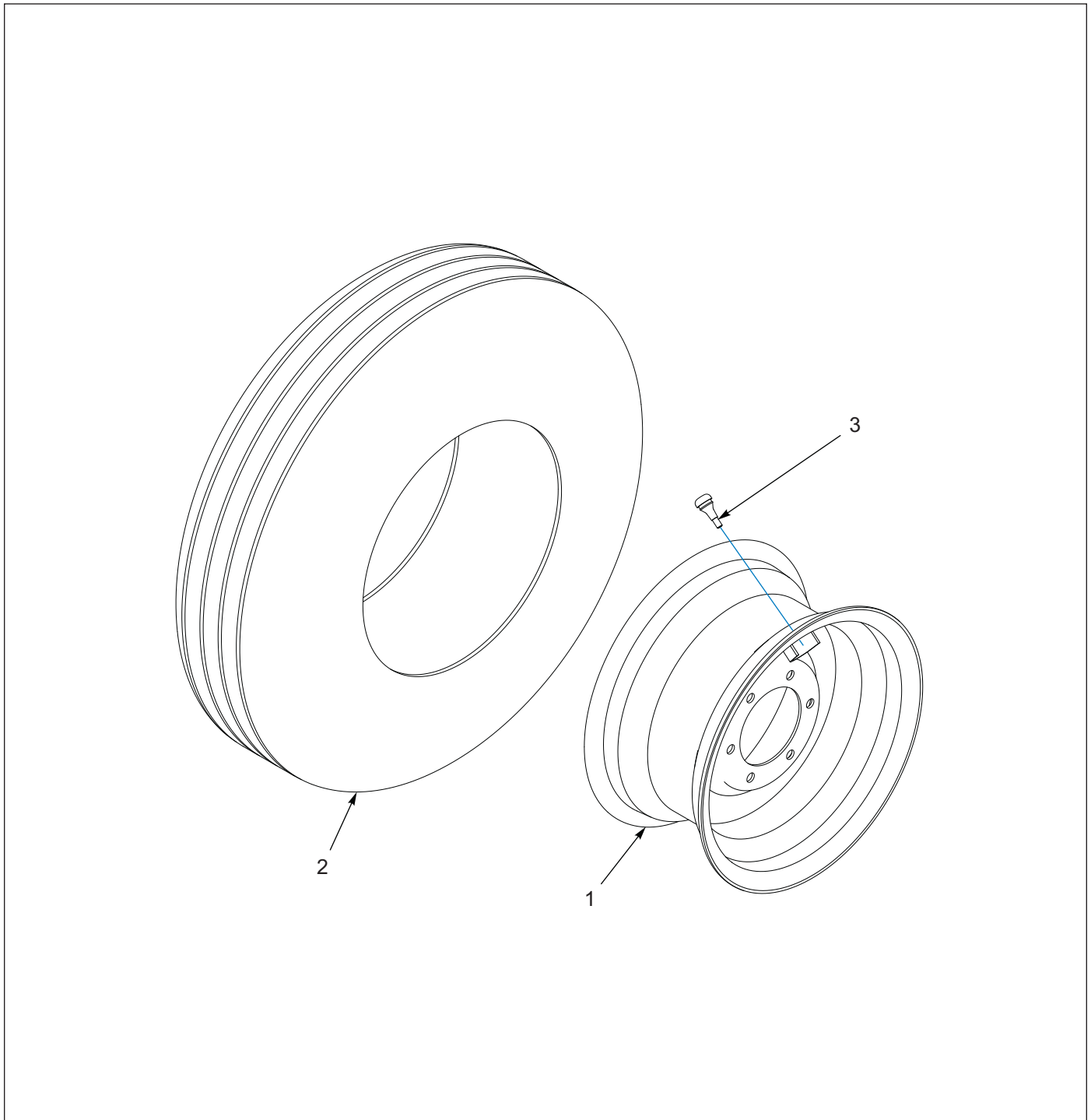


Figure 1-6: Wheel Assembly

Wheel Assembly

ITEM	PART NUMBER	DESCRIPTION	QTY
	6K919	WHEEL8J790/NO TUBE/6D312	1
1	6D312	WHEEL - 15 X 8LB - 6 BOLT	1
2	9.5LX15X8PLY	TIRE FARM UTIL TUBELESS	1
3	415	VALVE STEM	1

Frame, Baffles and Parking Stands

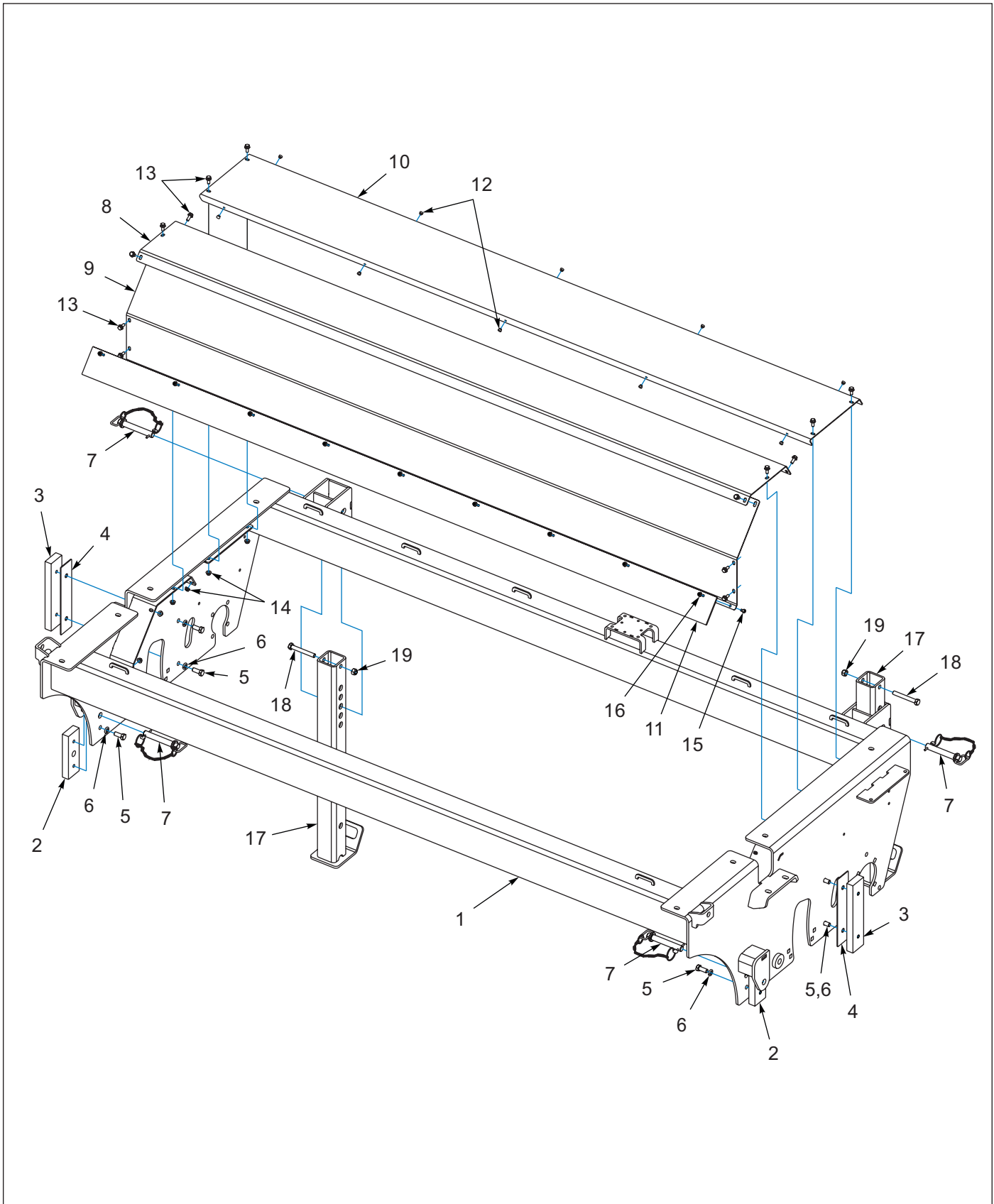


Figure 1-7: Frame, Baffles and Parking Stands

Frame, Baffles and Parking Stands

ITEM	PART NUMBER	DESCRIPTION	QTY
1	241088	FRAME,8FT LOWER	1
2	226838	PAD, THRUST	2
3	241099	PAD,SWING ARM	2
4	241022	SHIM,SWING ARM	2
5	1-654-010055-02	SCREW 1/2-13UNCX1-1/4 CP GR5	8
6	1-861-010034-13	WASHER, LKG HLCL SPR, 1/2	8
7	3P007	PIN, 3/4 W/CHAIN	4
8	226790	BAFFLE, TOP REAR ROTOR	1
9	226791	BAFFLE, REAR ROTOR	1
10	226796	BAFFLE, FRONT ROTOR	1
11	241095	SHIELD, DEBRIS	1
12	241100	BUMPER, PUSH-IN 7/16OD	10
13	144268	SCREW 5/16-18UNCX3/4FLG HD ZP	14
14	1-510-010004-03	NUT HX FLANGE, 5/16-18 GR8	14
15	1-654-010047-04	SCREW, HEX CAP, 1/4-20X3/4 GR5	9
16	241097	NUT, FLANGE NY-LOK 1/4-20	9
17	226821	STAND, PARKING WLDMT	2
18	1-654-010055-12	SCREW, CP, HX .50-13UNCX3.75 GR5	2
19	1-512-010005-09	NUT, HEX, SLFLKG, 1/2-13 GRB	2

Rear Firming Roller and Air Shock

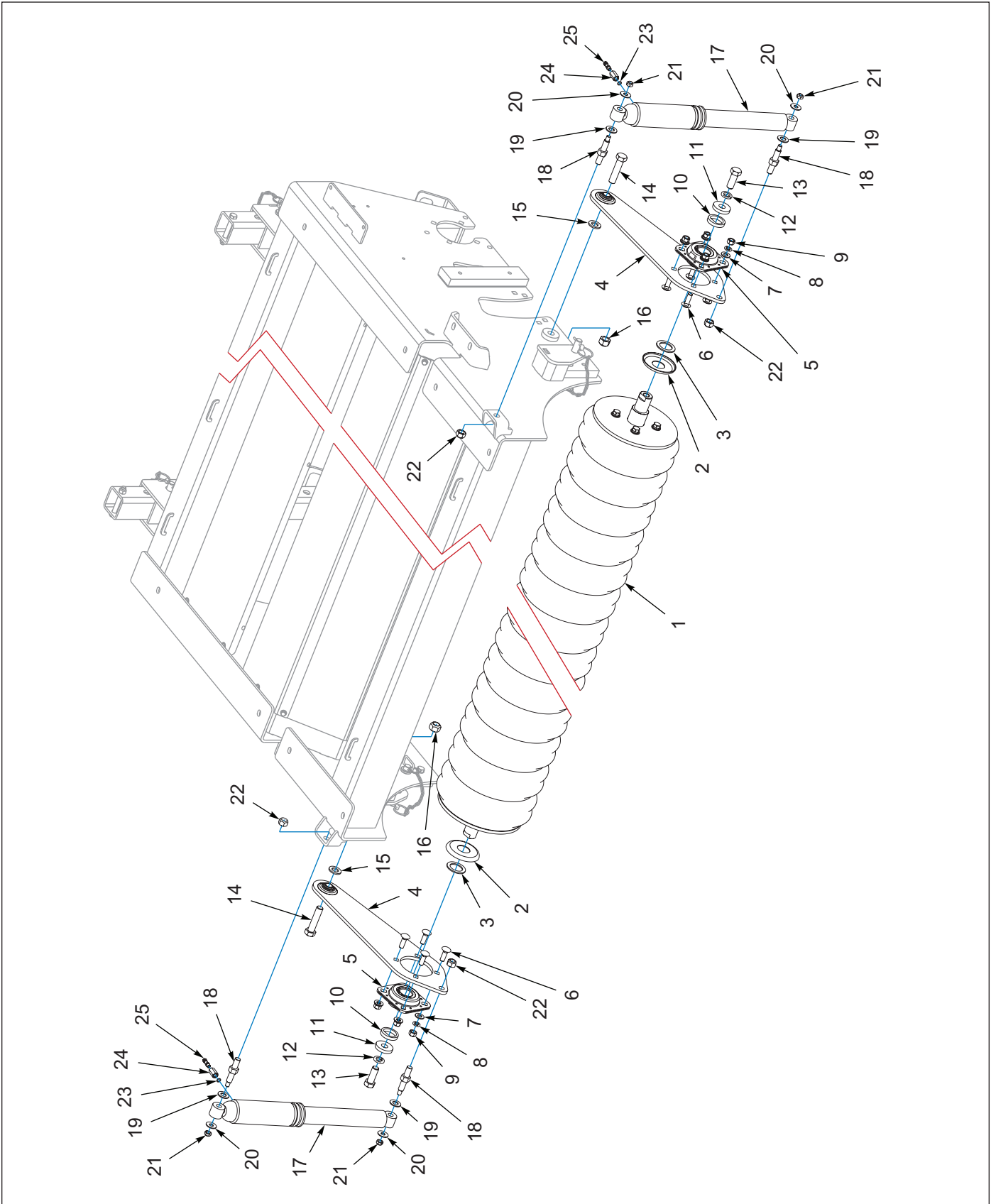


Figure 1-8: Rear Firming Roller and Air Shock

Rear Firming Roller and Air Shock

ITEM	PART NUMBER	DESCRIPTION	QTY
1	226813	ROLLER ASM, RUBBER (SEE PAGE 1-14)	1
2	219117	SHIELD,1-1/2" BEARING	2
3	226820	WASHER,1.547X2.25X11GA SS	2
4	233470	ARM, REAR ROLLER WLDMT	2
5	224173	FLANGED BRG, 1.535 BORE	2
6	1-654-010070-03	SCREW RDHD SQNK1/2-13X1-1/2	8
7	1-861-010032-14	WASHER, FLAT 1/2" N ZP/CD	8
8	1-861-010034-13	WASHER, LKG HLCL SPR, 1/2	8
9	1-512-010007-09	NUT, HEX 1/2-13 GR2 ZP	8
10	226827	WASHER,FLAT TOP 1-1/2 SHAFT	2
11	6K158	WASHER - 3/8" THICK	2
12	1-861-010034-17	WASHER,LKG,HLCL SPR,3/4	2
13	1-654-010061-05	SCREW,HHC,3/4-10UNCX2,GR5,ZP	2
14	214337	SCREW, HEX CAP, 3/4-10 X 3-1/4	2
15	1-861-010032-20	WASHER, FLAT,3/4 N ZP/CD	2
16	1-512-010005-15	NUT,HEX,SLFLKG GRB 3/4-10	2
17	3P274	SHOCK, MAKE FROM 3P295 (INCLUDES ITEMS 23 & 24)	2
18	3P275	STUD, SHOCK	4
19	1-861-010032-18	WASHER, FLAT 5/8 N ZP/CD	4
20	1-861-010032-13	WASHER FLAT 7/16	4
21	125436	NUT HX SLFLKG 7/16-20 GRB	4
22	1-512-010005-13	NUT,HEX SLFLKG GRB 5/8-11	4
23	200965	O-RING, 495OD X .351ID	2
24	187454	FITTING, AIR ADAPTER	2
25	3P276	BRASS AIR TANK VALVE, 1/8 NPT	2

Rear Firming Roller Assembly

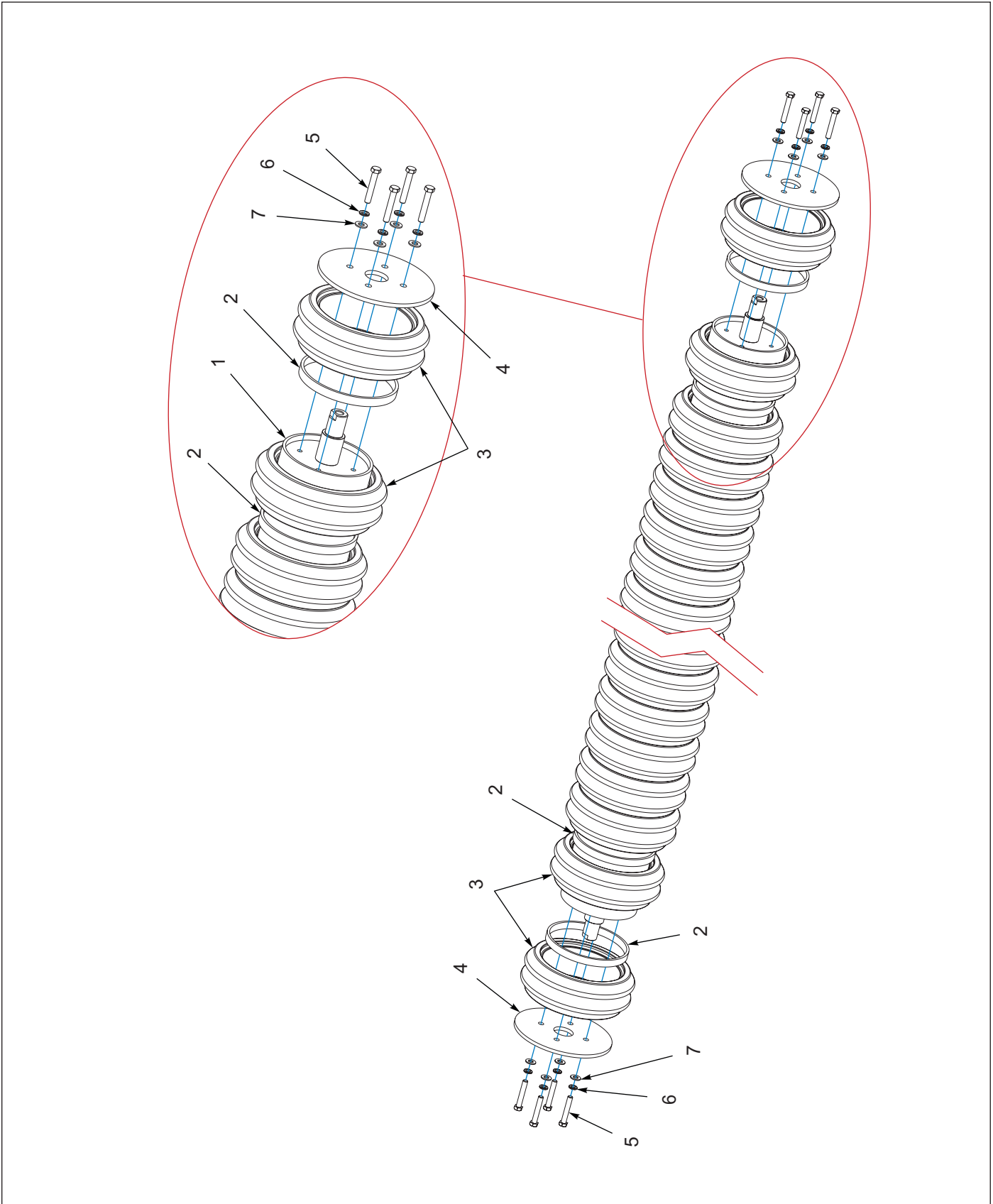


Figure 1-9: Rear Firming Roller Assembly

Rear Firming Roller Assembly

ITEM	PART NUMBER	DESCRIPTION	QTY
	226813	ROLLER ASM, RUBBER	--
1	226814	DRUM, ROLLER WLDMT	1
2	179346	TUBE, RD 8.125 X 8.625 X .781	24
3	226816	PRESS WHEEL,DOUBLE RIB 4X12	25
4	226815	PLATE, ROLLER END	2
5	1-654-010153-09	SCREW,HX 1/2-13UNCX3 FL THD	8
6	1-861-010034-13	WASHER, LKG HLCL SPR, 1/2	8
7	1-861-010032-14	WASHER, FLAT 1/2" N ZP/CD	8

LH Swing Arm and Rotors

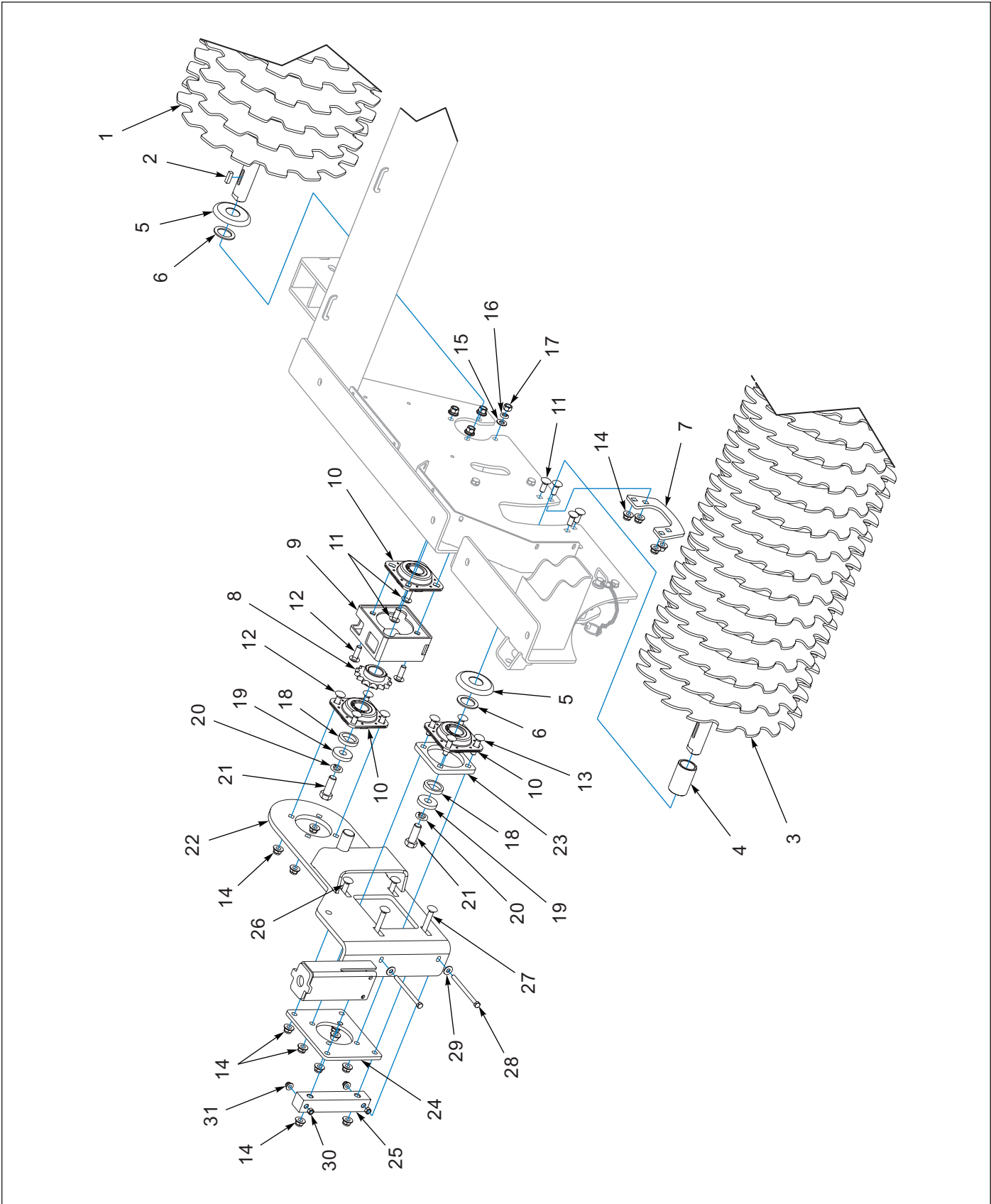


Figure 1-10: LH Swing Arm and Rotors

LH Swing Arm and Rotors

ITEM	PART NUMBER	DESCRIPTION	QTY
1	241091	ROTOR ASM,NOTCHED DRIVE (SEE PAGE 1-20)	1
2	229116	KEY, SQ 3/8X1-1/4	1
3	241092	ROTOR ASM,TILLAGE (SEE PAGE 1-21)	1
4	228552	TUBE, RND 2 X 3-3/16LG	1
5	219117	SHIELD,1-1/2" BEARING	2
6	226820	WASHER,1.547X2.25X11GA SS	2
7	241076	PLATE,FRAME BOTTOM	2
8	226826	SPROCKET,#60B15X1.535 BORE	1
9	228525	SHIELD, CHAIN WLDMT	1
10	224173	FLANGED BRG, 1.535 BORE	3
11	1-654-010070-02	SCREW 1/2-13X1-1/4 RD HD SQNK	6
12	1-654-010070-03	SCREW RDHD SQNK1/2-13X1-1/2	6
13	1-654-010070-05	SCREW,RDHD SQNCK 1/2-13X2 GR5	4
14	2P253	NUT, FLANGE NY-LOK 1/2-13	16
15	1-861-010032-14	WASHER, FLAT 1/2" N ZP/CD	4
16	1-861-010034-13	WASHER, LKG HLCL SPR, 1/2	4
17	1-512-010007-09	NUT, HEX 1/2-13 GR2 ZP	4
18	226827	WASHER,FLAT TOP 1-1/2 SHAFT	2
19	6K158	WASHER - 3/8" THICK	2
20	1-861-010034-17	WASHER,LKG,HLCL SPR,3/4	2
21	1-654-010061-05	SCREW,HHC,3/4-10UNCX2,GR5,ZP	2
22	221104	RD TUBE, SEED METER	1
23	241075	SPACER	1
24	241073	PLATE,ADJUSTER	1
25	241074	BLOCK,ADJUSTER	1
26	1-654-010070-04	SCREW RDHD SQNK 1/2-13X1-3/4	2
27	9J570	CARRIAGE BOLT	2
28	196754	SCREW,HH 3/8-16X5,GR5,FUL THRD	2
29	1-861-010032-11	WASHER, FLAT 3/8 W ZP/CD	2
30	1-512-010007-07	NUT, HEX 3/8-16 GR2 ZP	2
31	2P252	NUT, FLANGE NY-LOK 3/8-16	2
31	1-861-010034-15	WASHER,LKG,HLCL SPR,5/8	4

RH Swing Arm and Rotors

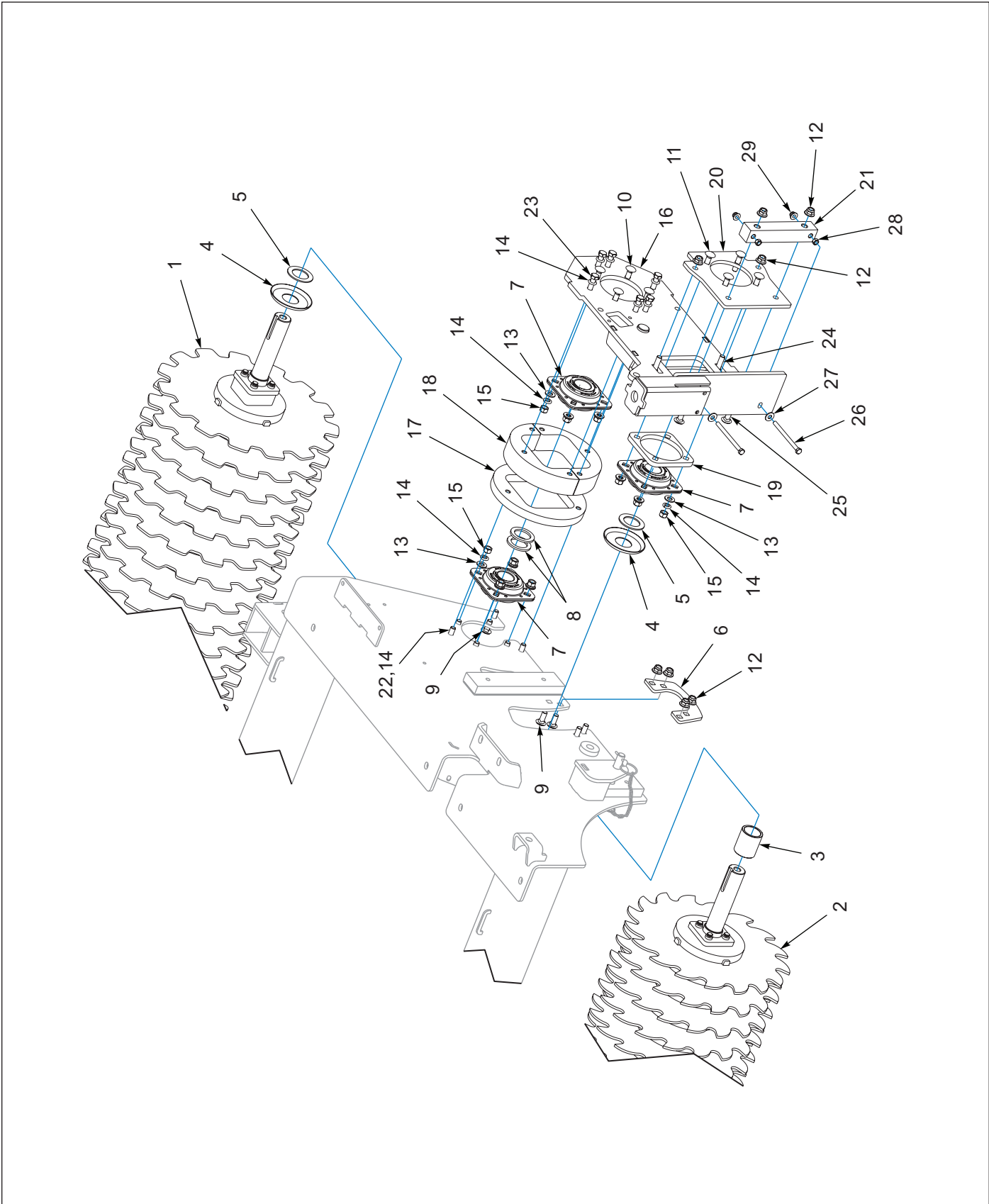


Figure 1-11: RH Swing Arm and Rotors

RH Swing Arm and Rotors

ITEM	PART NUMBER	DESCRIPTION	QTY
1	241091	ROTOR ASM,NOTCHED DRIVE (SEE PAGE 1-20)	1
2	241092	ROTOR ASM,TILLAGE (SEE PAGE 1-21)	1
3	241103	TUBE,RND 1.781 X 2.25 X 2.594	1
4	241101	SHIELD,1-3/4" BEARING	2
5	171738	WASHER, SHIM 11 GA, 1.79 ID	2
6	241076	PLATE,FRAME BOTTOM	1
7	200937	FLANGED BRG, 1-3/4 RND BORE	3
8	241096	WASHER,SS 1.797 X 2.563 X 3/16	2
9	1-654-010070-02	SCREW 1/2-13X1-1/4 RD HD SQNK	8
10	1-654-010070-03	SCREW RDHD SQNK1/2-13X1-1/2	4
11	1-654-010070-05	SCREW,RDHD SQNCK 1/2-13X2 GR5	4
12	2P253	NUT, FLANGE NY-LOK 1/2-13	8
13	1-861-010032-14	WASHER, FLAT 1/2" N ZP/CD	12
14	1-861-010034-13	WASHER, LKG HLCL SPR, 1/2	21
15	1-512-010007-09	NUT, HEX 1/2-13 GR2 ZP	12
16	241039	ARM,RH ROTOR SWING	1
17	241116	PLATE, THRUST	1
18	241110	THRUST BEARING	2
19	241041	SPACER	1
20	241040	PLATE,ADJUSTER	1
21	241074	BLOCK,ADJUSTER	1
22	1-654-010055-02	SCREW 1/2-13UNCX1-1/4 CP GR5	3
23	1-654-010055-04	SCREW,HEX CAP,1/2-13UNCX1-3/4	6
24	1-654-010070-04	SCREW RDHD SQNK 1/2-13X1-3/4	2
25	9J570	CARRIAGE BOLT	2
26	196754	SCREW,HH 3/8-16X5,GR5,FUL THRD	2
27	1-861-010032-11	WASHER, FLAT 3/8 W ZP/CD	2
28	1-512-010007-07	NUT, HEX 3/8-16 GR2 ZP	2
29	2P252	NUT, FLANGE NY-LOK 3/8-16	2

Drive Rotor Assembly

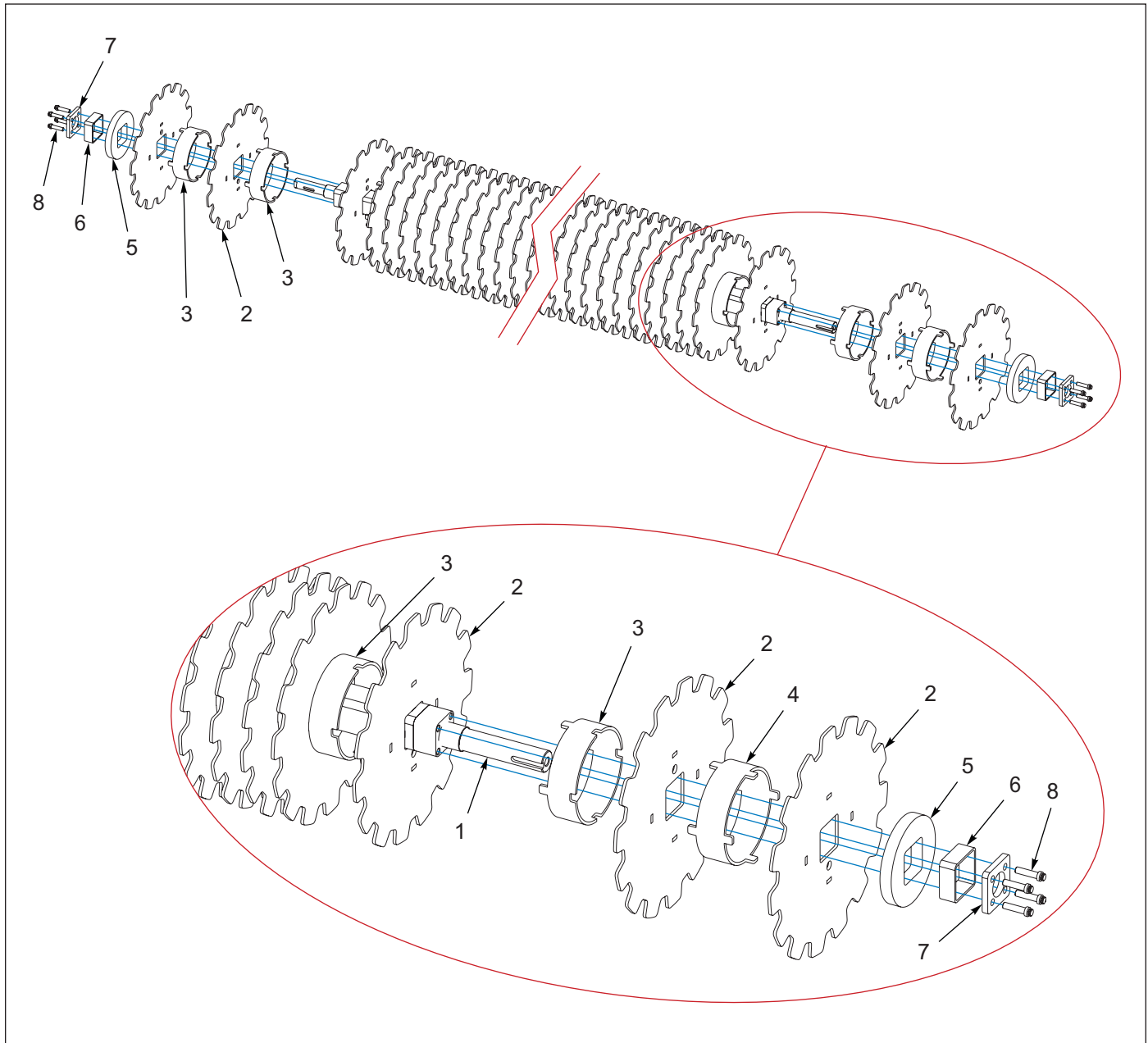


Figure 1-12: Drive Rotor Assembly

Drive Rotor Assembly

ITEM	PART NUMBER	DESCRIPTION	QTY
	241091	ROTOR ASM,NOTCHED DRIVE	1
1	241090	AXLE,ROTOR	1
2	234495	BLADE,NOTCHED DRIVE ROTOR	36
3	226804	SPACER,ROTOR	34
4	226805	SPACER,ROTOR END	1
5	234497	PLATE,ROTOR END	2
6	226807	TUBE, SQ 3-1/2 X 1-3/8	2
7	226806	PLATE,ROTOR SQUARE END	2
8	226812	SCREW, 12PT FLG 1/2-20X2,GR9	8

Tillage Rotor Assembly

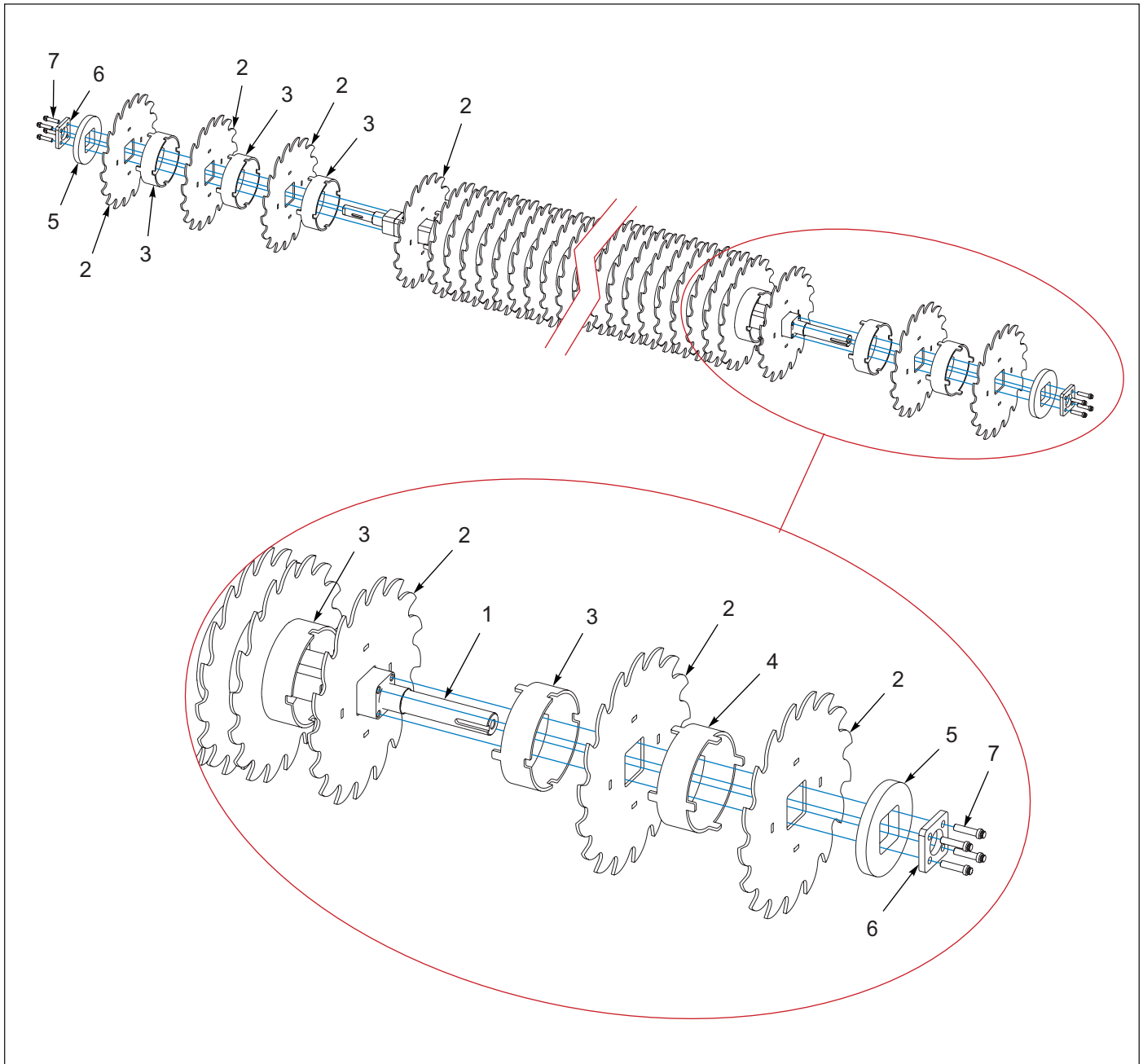


Figure 1-13: Tillage Rotor Assembly

Tillage Rotor Assembly

ITEM	PART NUMBER	DESCRIPTION	QTY
	241092	ROTOR ASM, TILLAGE	1
1	241090	AXLE, ROTOR	1
2	226811	BLADE, TILLAGE ROTOR	37
3	226804	SPACER, ROTOR	35
4	226805	SPACER, ROTOR END	1
5	226803	PLATE, ROTOR END	2
6	226806	PLATE, ROTOR SQUARE END	2
7	226812	SCREW, 12PT FLG 1/2-20X2, GR9	8

Rotor Rockshaft

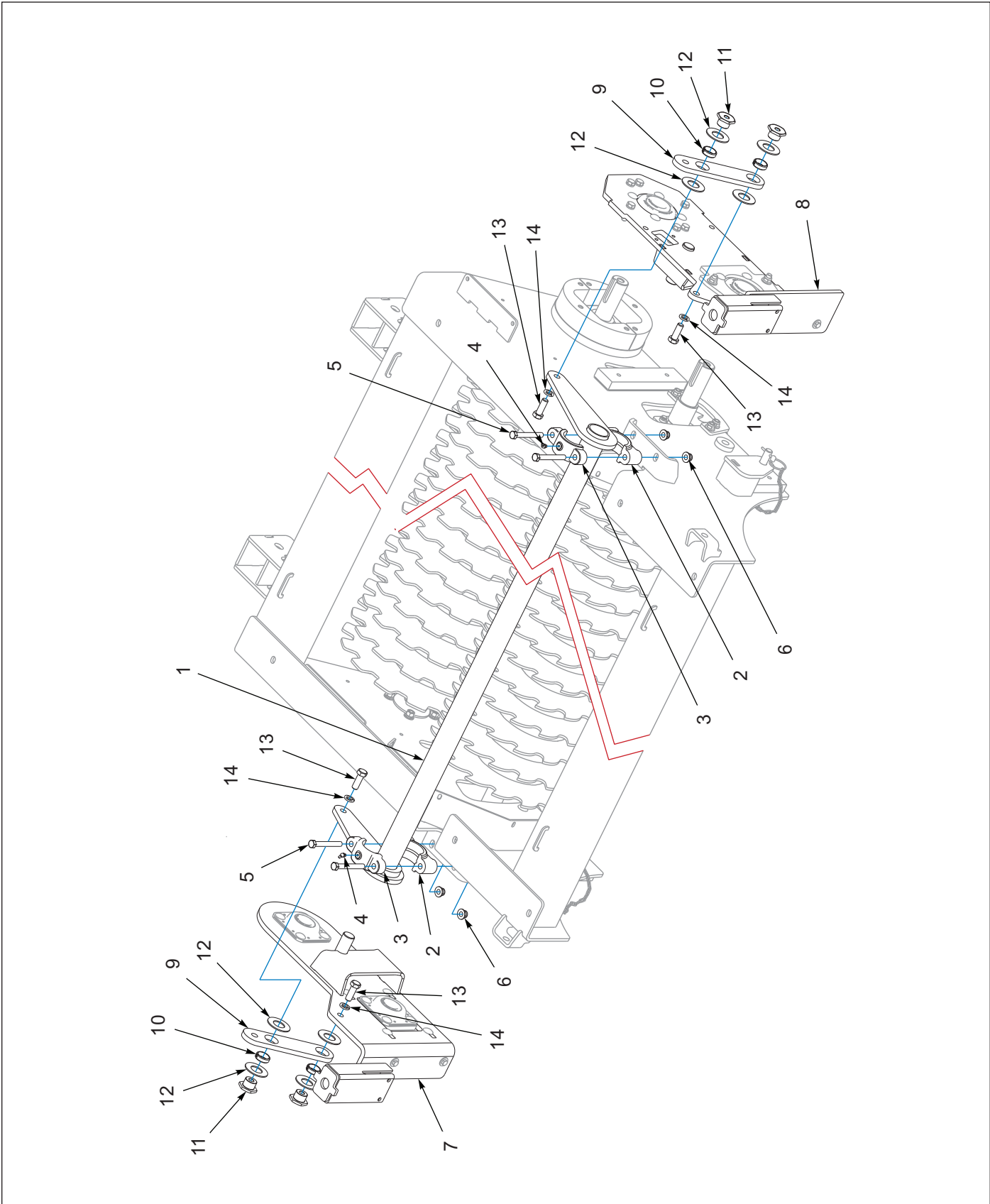


Figure 1-14: Rotor Rockshaft

Rotor Rockshaft

ITEM	PART NUMBER	DESCRIPTION	QTY
1	226832	ROCKSHAFT, ROTOR WLDMT	1
2	4C778	AXLE BEARING, BOTTOM	2
3	3P228	BRG, TOP HALF W/ZERK (INCLUDES ITEM 4)	2
4	5210	ZERK FITTING 1/4-28X45 SAE	1
5	1-654-010055-13	SCREW,HEX CAP,1/2-13UNCX4 GR5	4
6	2P253	NUT, FLANGE NY-LOK 1/2-13	4
7	241104	ARM,LH ROTOR SWING	1
8	241039	ARM,RH ROTOR SWING	1
9	228524	LINK (INCLUDES ITEM 10)	2
10	181176	SPRING BUSHING 1.25X1.50X0.5	2
11	228523	BUSHING, LINK	4
12	196120	WASHER,THRUST SS 1-1/4, 12 GA	8
13	1-654-010059-04	SCREW,HEX CAP 5/8-11X1-3/4 G5	4
14	1-861-010034-15	WASHER,LKG,HLCL SPR,5/8	4

Rotor Drive Chain

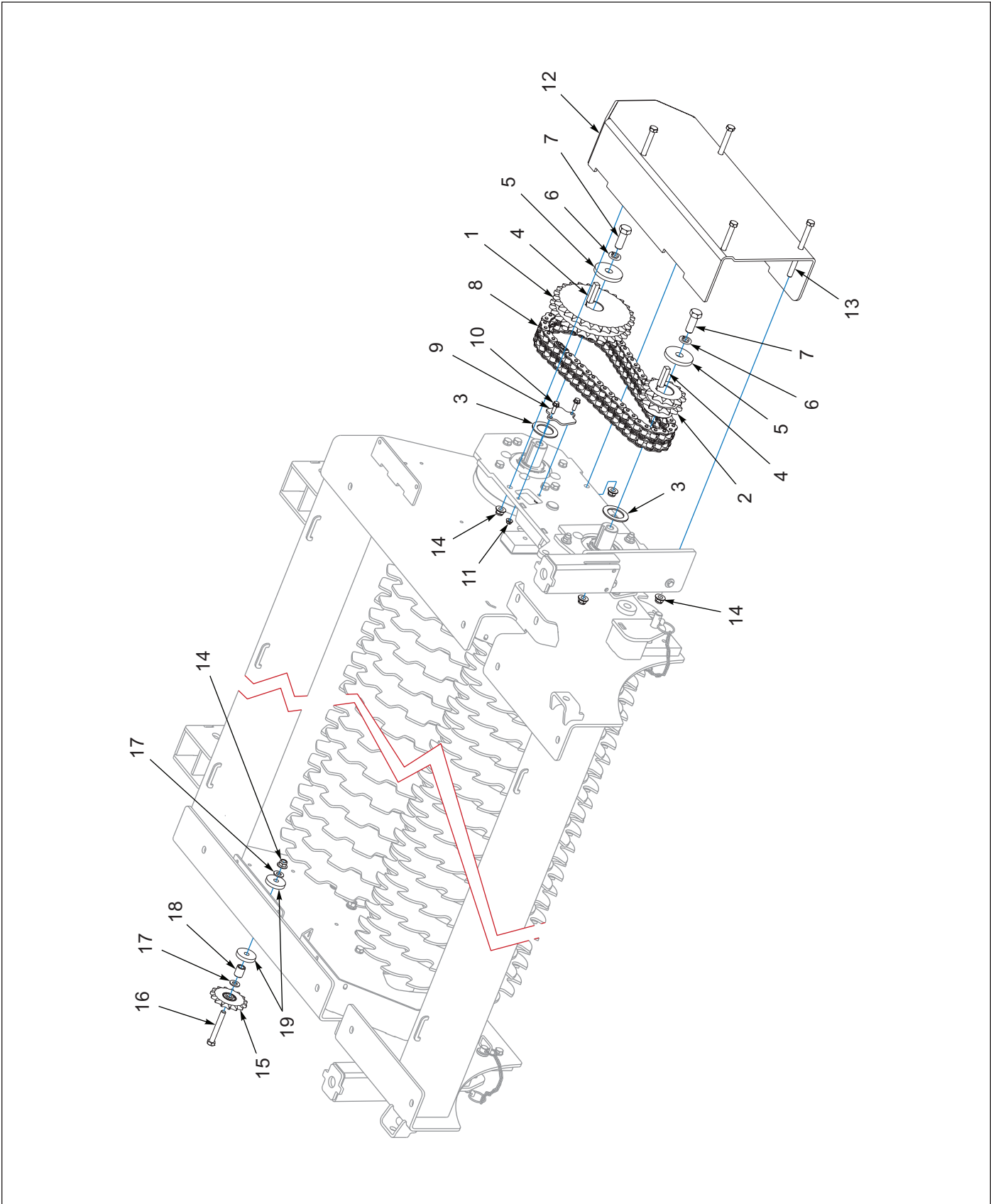


Figure 1-15: Rotor Drive Chain

Rotor Drive Chain

ITEM	PART NUMBER	DESCRIPTION	QTY
1	241037	SPROCKET,#80-2B26X1.778	1
2	241036	SPROCKET,#80-2B13X1.778	1
3	171738	WASHER, SHIM 11 GA, 1.79 ID	2
4	5K825	BLOCK	2
5	225549	WASHER, Ø.81 X Ø3.00 X 3/8	2
6	1-861-010034-17	WASHER,LKG,HLCL SPR,3/4	2
7	1-654-010061-05	SCREW,HHC,3/4-10UNCX2,GR5,ZP	2
8	241118	ROLLER CHAIN,80-2 X 50 PITCHES	1
9	241109	COVER	1
10	226769	SCREW,FLG HD 5/16-18X1,GR5,ZP	2
11	1-510-010004-03	NUT HX FLANGE, 5/16-18 GR8	2
12	241080	SHIELD,RH SWING ARM	1
13	1-654-010055-18	SCREW HX CP,1/2-13UNCX6-1/2G5	4
14	2P253	NUT, FLANGE NY-LOK 1/2-13	5
15	8K384	IDLER SPROCKET	1
16	1-654-010055-12	SCREW,CP,HX .50-13UNCX3.75 GR5	1
17	1-861-010032-14	WASHER, FLAT 1/2" N ZP/CD	2
18	195904	SPACER,7/8 X 9/16 X 1-1/16	1
19	9J338	WASHER	2

ILLUSTRATED PARTS LIST

Gauge Wheel

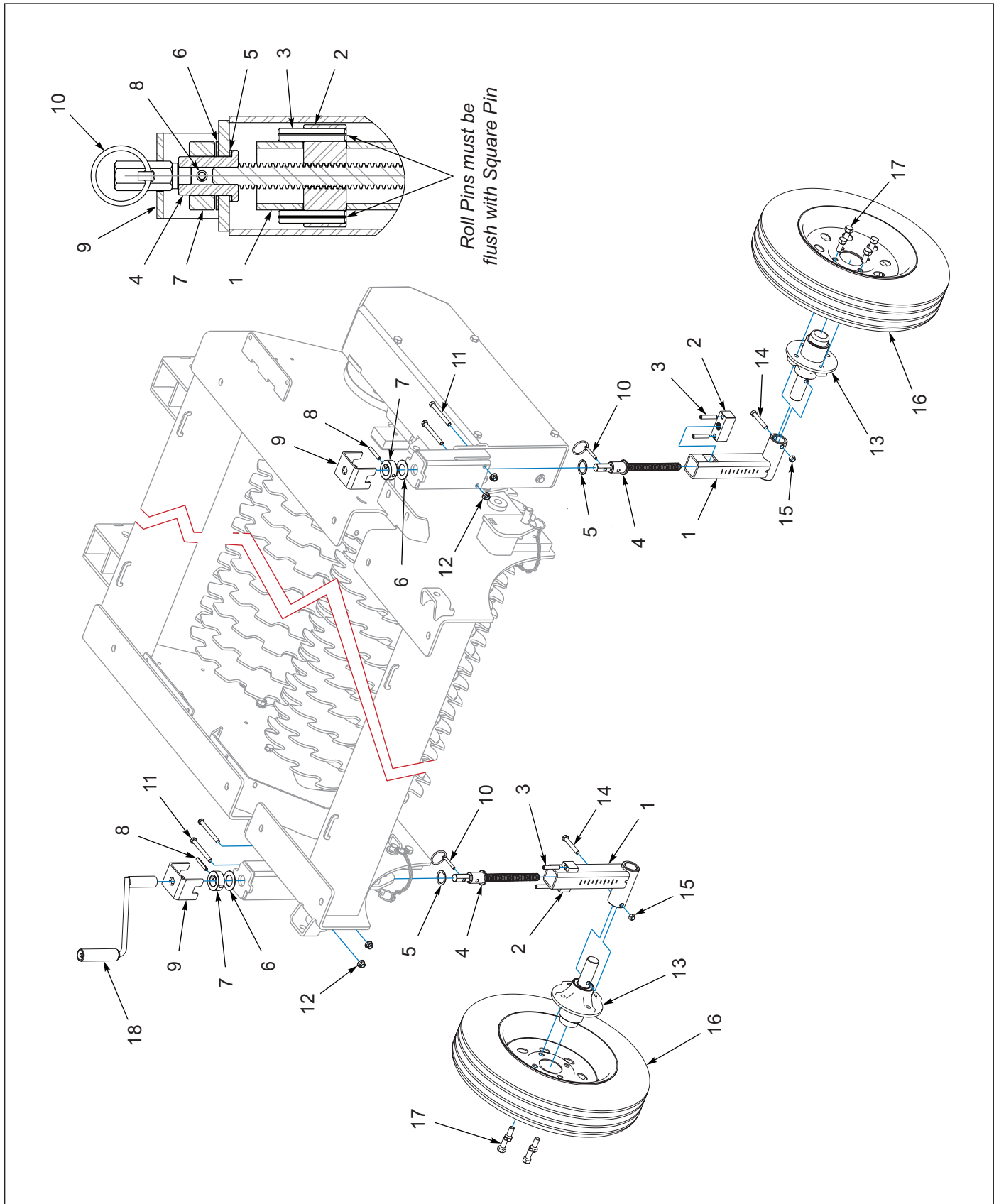


Figure 1-16: Gauge Wheel

Gauge Wheel

ITEM	PART NUMBER	DESCRIPTION	QTY
1	241112	ARM,GAUGE WHL	2
2	241084	SQ PIN,GAUGE WHL ADJUSTER	2
3	1-647-010004255	PIN, SPRING, SLOTTED 3/8X2	4
4	244051	ADJUSTER SCREW,GAUGE WHL	2
5	241082	WASHER SS,1.156 X 1.5 X 14GA	2
6	244057	WASHER, SS, 1.156X2.0X14 GA	2
7	244055	COLLAR	2
8	147072	PIN, SPRING SLOTTED 5/16 X 2	2
9	244056	CLIP, HEX LOCK	2
10	1-557-010327	PIN LYNCH 1/4X1-1/4	2
11	1-654-010051-15	SCREW HXCP 3/8-16UNCX3-1/2 G5	4
12	2P252	NUT, FLANGE NY-LOK 3/8-16	4
13	2P960	HUB AND SPINDLE ASSEMBLY (INCL. ITEM 17) (SEE PAGE 1-28)	2
14	1-654-010051-11	SCREW HX CP 3/8-16X2-1/2 G5ZP	2
15	1-512-010005-05	NUT, HEX, SLFLKG GRB 3/8-16	2
16	2P962	MOUNTED WHL & TIRE ASM	2
17	5C100	WHEEL BOLT 1/2-20X1 GR5 ZP	8
18	218254	CALIBRATION CRANK ASSY	1

4-Bolt Hub and Spindle Assembly

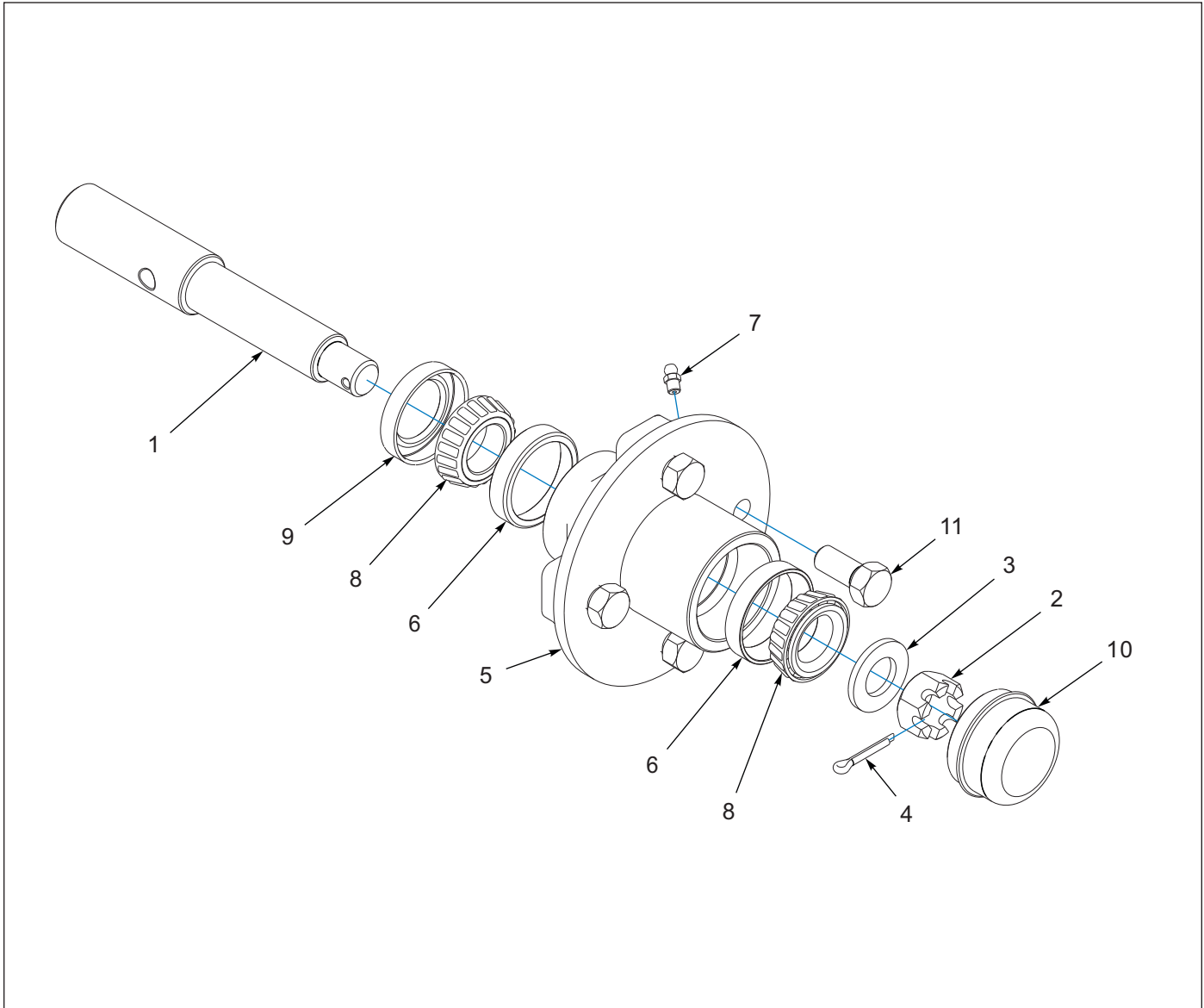


Figure 1-17: 4 Bolt Hub and Spindle Assembly

4 Bolt Hub and Spindle Assembly

ITEM	PART NUMBER	DESCRIPTION	QTY
	2P960	HUB AND SPINDLE ASSEMBLY	1
1	2P961	SPINDLE, 1 1/4 X 7 3/4	1
2	3/4-16HSN	HEX SLOTTED NUT	1
3	1-861-010032-20	WASHER, FLAT, 3/4 N ZP/CD	1
4	110-0344	5/32X1 COTTER PIN	1
5	2P957	HUB ASM, 4 BOLT (INCLUDES ITEMS 6-11)	1
6	9C226	BEARING CUP, TIMKEN (L44610)	2
7	2P959	FIT, GREASE 6MM X 1.0 OBS	1
8	118172	CUP TIMKEN #L44643	2
9	125611	GREASE SEAL CR12411(P602123)	1
10	7K545	HUB CAP (OBS)	1
11	5C100	WHEEL BOLT 1/2-20X1 GR5 ZP	4

Rear Step

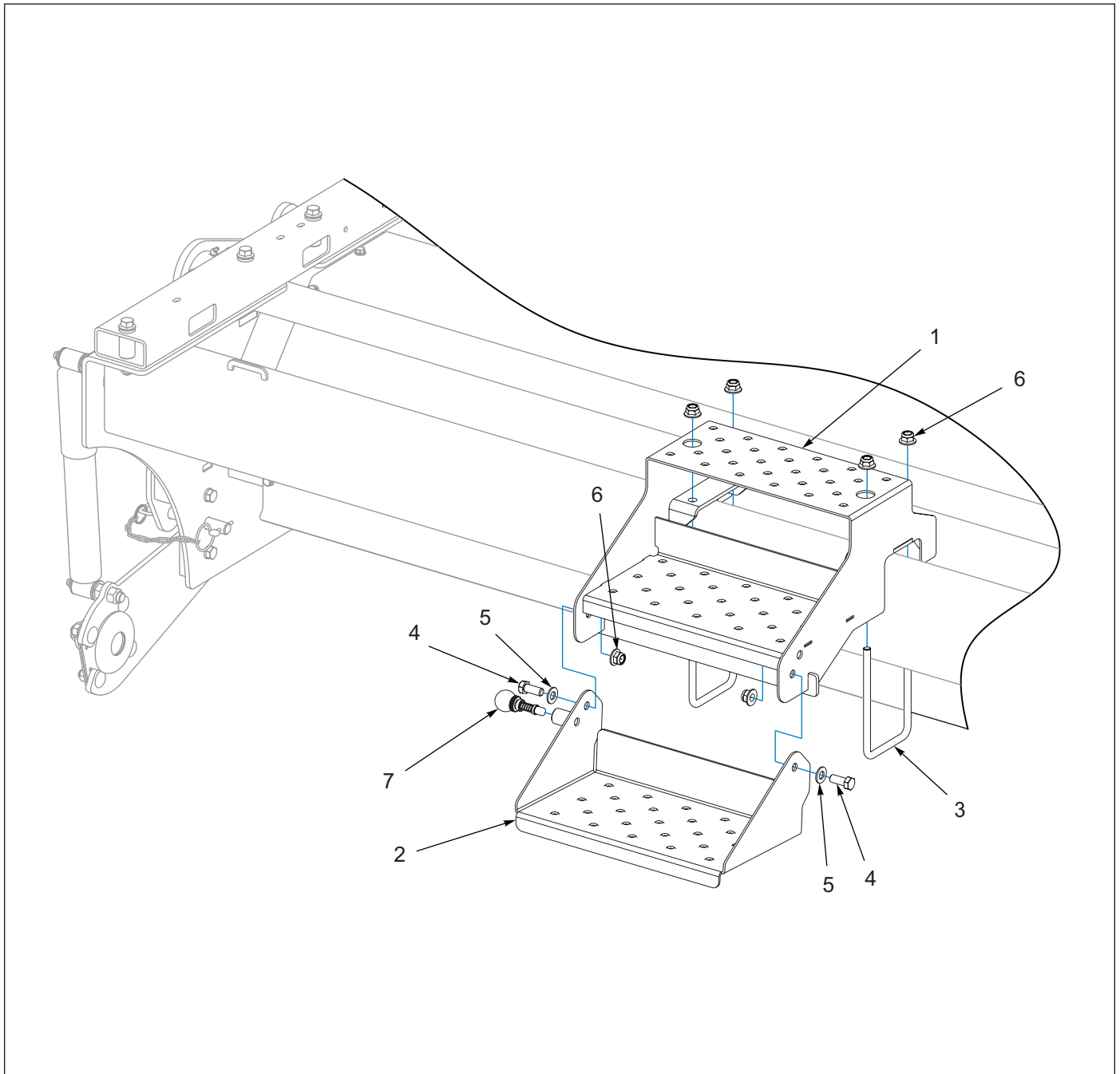


Figure 1-18: Rear Step

Rear Step

ITEM	PART NUMBER	DESCRIPTION	QTY
1	229147	STEP WLDMT	1
2	3P280	STEP WLDMT	1
3	3J561	U-BOLT 1/2-13 X 7-1/2 X 4-1/2	2
4	1-654-010055-02	SCREW 1/2-13UNCX1-1/4 CP GR5	2
5	1-861-010032-14	WASHER, FLAT 1/2" N ZP/CD	2
6	2P253	NUT, FLANGE NY-LOK 1/2-13	6
7	3P284	PULL PIN, 1/2 BALL HANDLE	1

Seed Box Frame and Covers

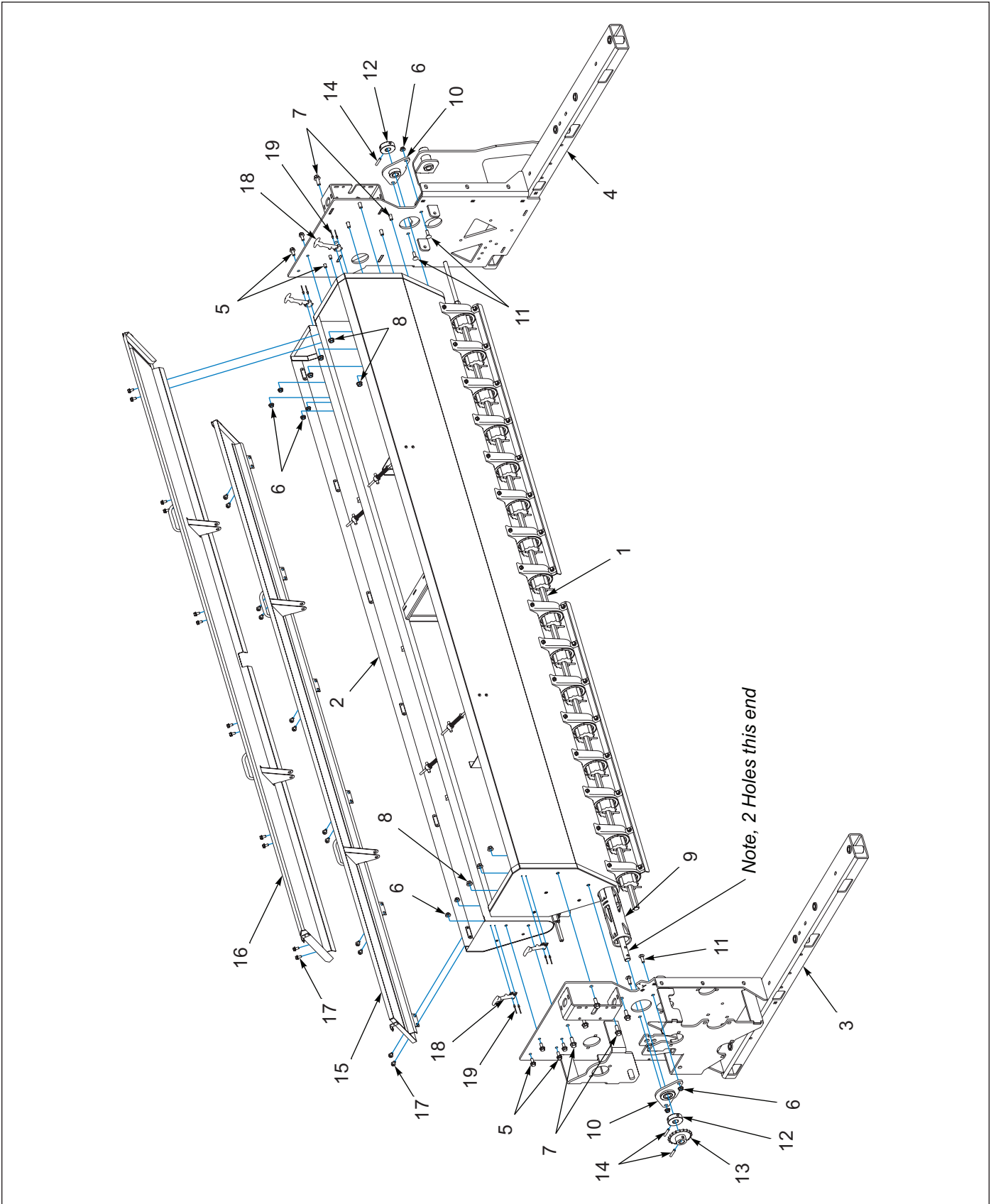


Figure 1-19: Seed Box Frame and Covers

Seed Box Frame and Covers

ITEM	PART NUMBER	DESCRIPTION	QTY
1	228593	SEEDBOX ASM, LARGE METER 8FT (SEE PAGE 1-32)	1
2	228592	SEEDBOX ASM, SMALL METER 8FT (SEE PAGE 1-35)	1
3	228534	SUPPORT, SEEDBOX LH WLDMT	1
4	229338	SUPPORT, SEEDBOX RH WLDMT	1
5	144268	SCREW 5/16-18UNCX3/4FLG HD ZP	8
6	1-510-010004-03	NUT HX FLANGE, 5/16-18 GR8	12
7	1-655-010003-05	SCREW,FLANGE HD 3/8-16X1 GR8	10
8	107470	NUT, SPIRALOCK 3/8-16HX	10
9	229138	AGITATOR, TUBE STYLE WLDMT	1
10	229150	AGITATOR BEARING ASM	2
11	104031	SCREW, RDHD, SQNK 5/16-18X1 GR5	4
12	229284	THRUST WASHER	2
13	3P115	SPROCKET, #40B19 X 3/4" BORE	1
14	1-647-010004217	SPRING PIN, SLOTTED 1/4X1-1/2	3
15	229135	COVER, SMALL SEED 8FT W/LATCH	1
16	229126	COVER, 8FT	1
17	7J140	SCREW 1/4-20 X 1/2	24
18	191376	LATCH, 3" RUBBER	4
19	107-0814	RIVET 1/8X1/8 A LUM POP	8

Large Meter Seed Box Assembly

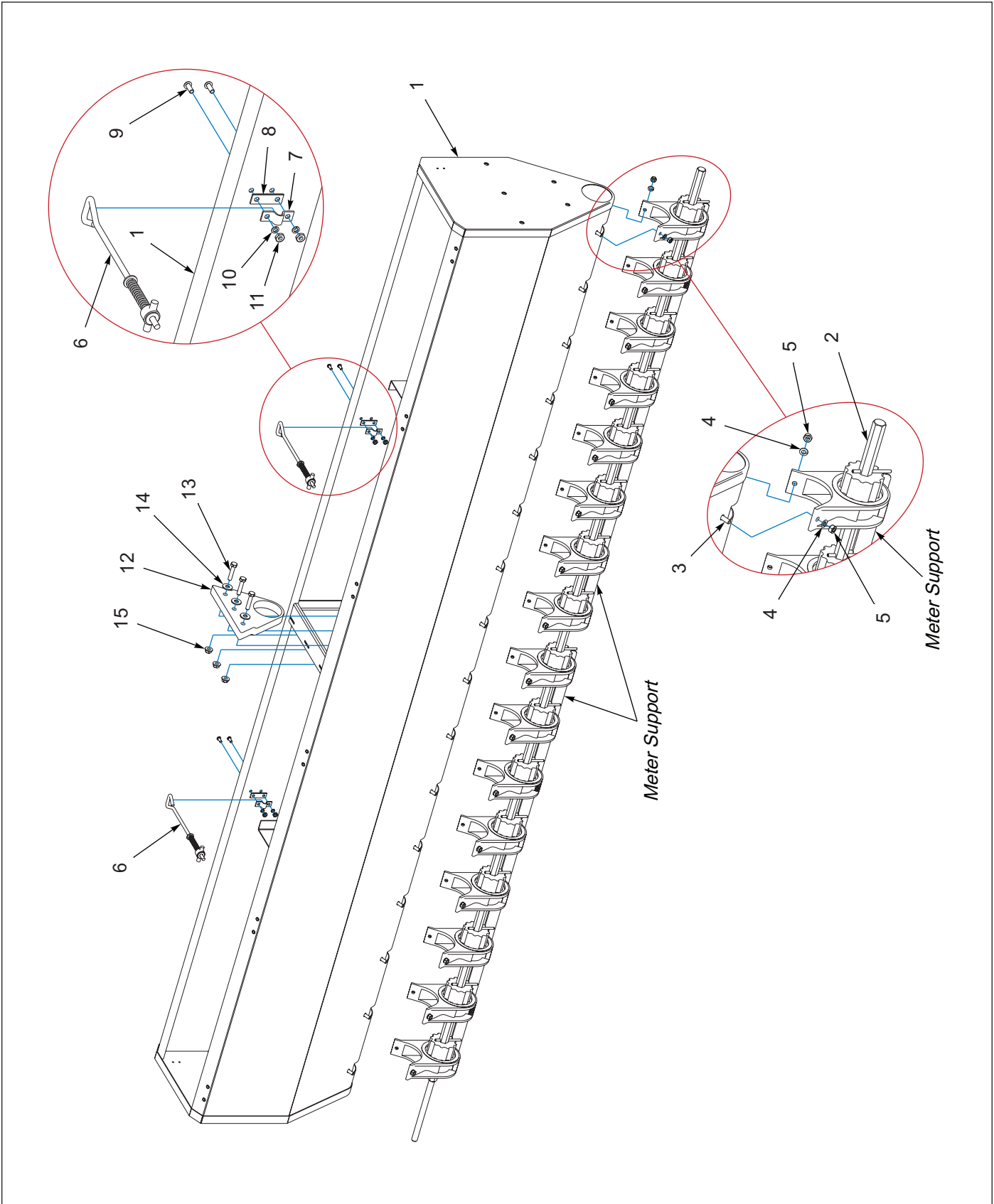


Figure 1-20: Large Meter Seed Box Assembly

Large Meter Seed Box Assembly

ITEM	PART NUMBER	DESCRIPTION	QTY
	228593	SEEDBOX ASM, LARGE METER 8FT	1
1	228595	SEEDBOX, LARGE METER 8FT	1
2	229114	SEEDSHAFT ASM,LARGE METER 8FT (SEE PAGE 1-34)	1
3	108213	SCREW RD HD MACH 1/4-20X5/8	32
4	1-861-010034-09	WASHER, LKG HLCL SPR, 1/4	32
5	1-512-010007-05	NUT, HEX 1/4-20 GR2 ZP	32
6	2C360	PIVOT LOCK ASSY	2
7	7D938	COVER LOCK CLIP	2
8	7D937	WEAR STRIP	2
9	1C213	STOVE BOLT #10-24X1/2 RD HD ZP	4
10	1-861-010034-07	WASHER,LKG,HLCL SPR, NO 10	4
11	1-512-010007-03	NUT, HEX 10-24 GR2 ZP	4
12	229137	PLATE,CENTER BRG	1
13	1-654-010049-07	SCREW,HX CP 5/16-18UNCX1-1/2	3
14	1-861-010032-09	WASHER, FLAT 5/16 W ZP/CD	3
15	126561	NUT,FLG HD,SERRATED,5/16-18ZP	3

ILLUSTRATED PARTS LIST

Large Meter Seed Shaft

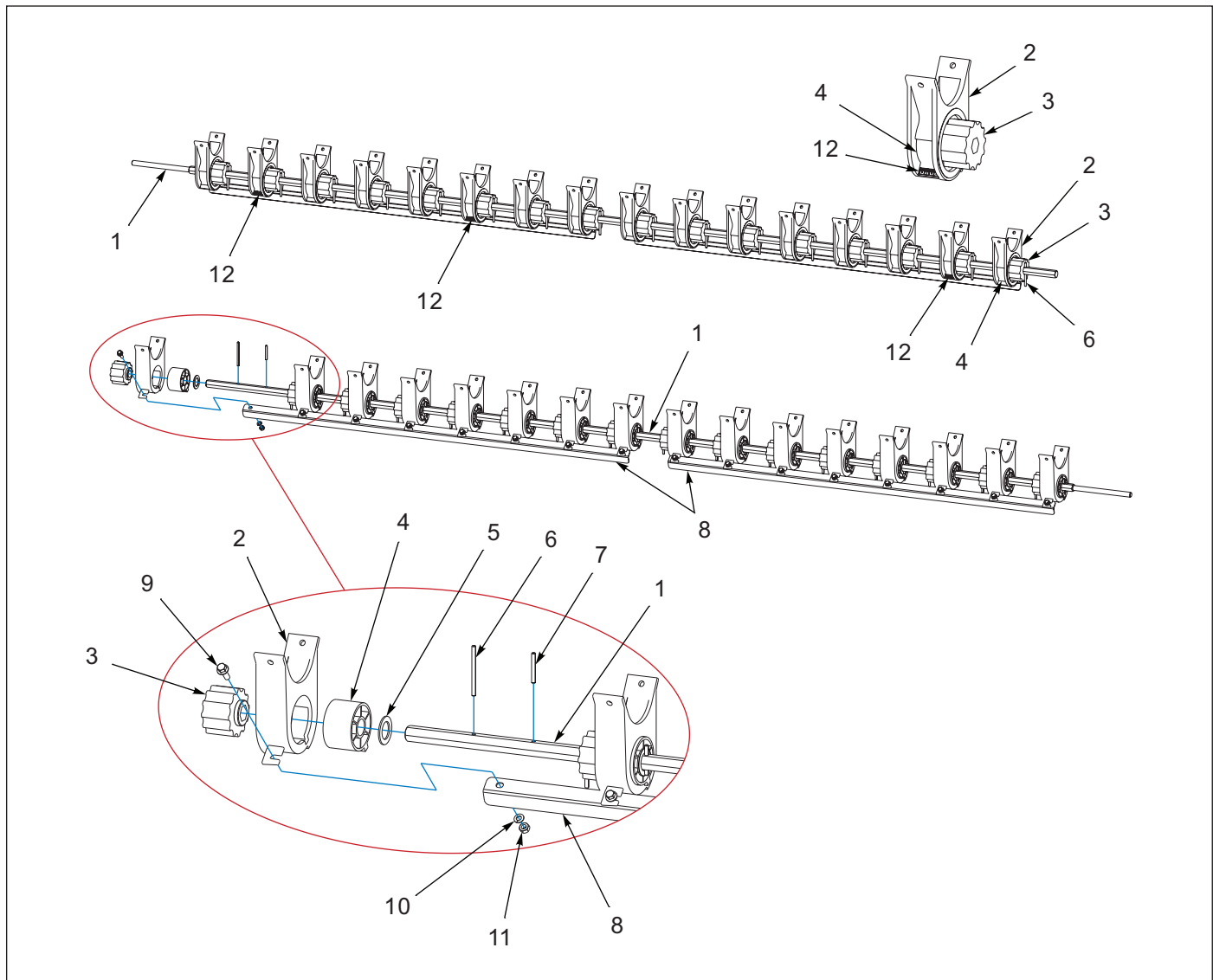


Figure 1-21: Large Meter Seed Shaft

Large Meter Seed Shaft

ITEM	PART NUMBER	DESCRIPTION	QTY
	229114	SEEDSHAFT ASM,LARGE METER 8FT	1
1	229115	SEEDSHAFT, LARGE METER 8FT	1
2	5K141	SEED CUP	16
3	5K143	FEED ROLL	16
4	5K144	FEED CUT-OFF	16
5	7D759	MACHINERY BUSHING	16
6	1-647-010004177	PIN,SPRING,SLTD 3/16X1-1/2	16
7	172805	PIN SPRING SLOTTED 3/16X2-1/2	16
8	219132	SUPPORT,8 METERS,6" SP	2
9	9K228	FHHCS 1/4-20X3/4 GR5 BLKPLT	16
10	1-861-010034-09	WASHER, LKG HLCL SPR, 1/4	16
11	1-512-010007-05	NUT, HEX 1/4-20 GR2 ZP	16
12	207610	DECAL,LARGE SEEDMETER RATE	3

Micro-Meter Seed Box Assembly

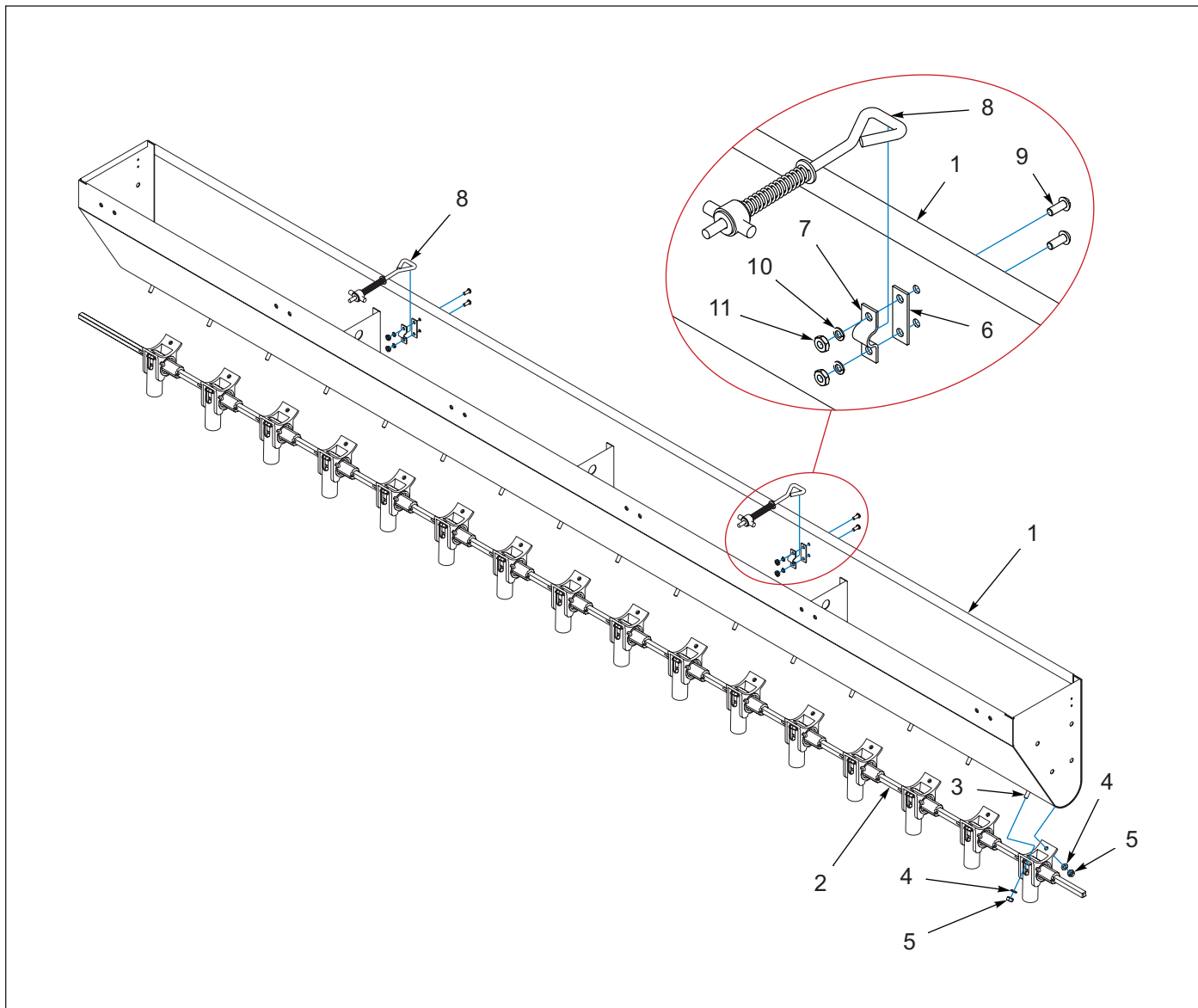


Figure 1-22: Micro-Meter Seed Box Assembly

Micro-Meter Seed Box Assembly

ITEM	PART NUMBER	DESCRIPTION	QTY
	228592	SEEDBOX ASM, SMALL METER 8FT	1
1	228594	SEEDBOX, SMALL METER 8FT	1
2	229132	SEEDSHAFT ASM, SMALL METER 8FT (SEE PAGE 1-36)	1
3	108213	SCREW RD HD MACH 1/4-20X5/8	32
4	1-861-010034-09	WASHER, LKG HLCL SPR, 1/4	32
5	1-512-010007-05	NUT, HEX 1/4-20 GR2 ZP	32
6	7D937	WEAR STRIP	2
7	7D938	COVER LOCK CLIP	2
8	1C199	PIVOT LOCK ASSY	2
9	1C213	STOVE BOLT #10-24X1/2 RD HD ZP	4
10	1-861-010034-07	WASHER, LKG, HLCL SPR, NO 10	4
11	1-512-010007-03	NUT, HEX 10-24 GR2 ZP	4

Micro-Meter Seed Shaft

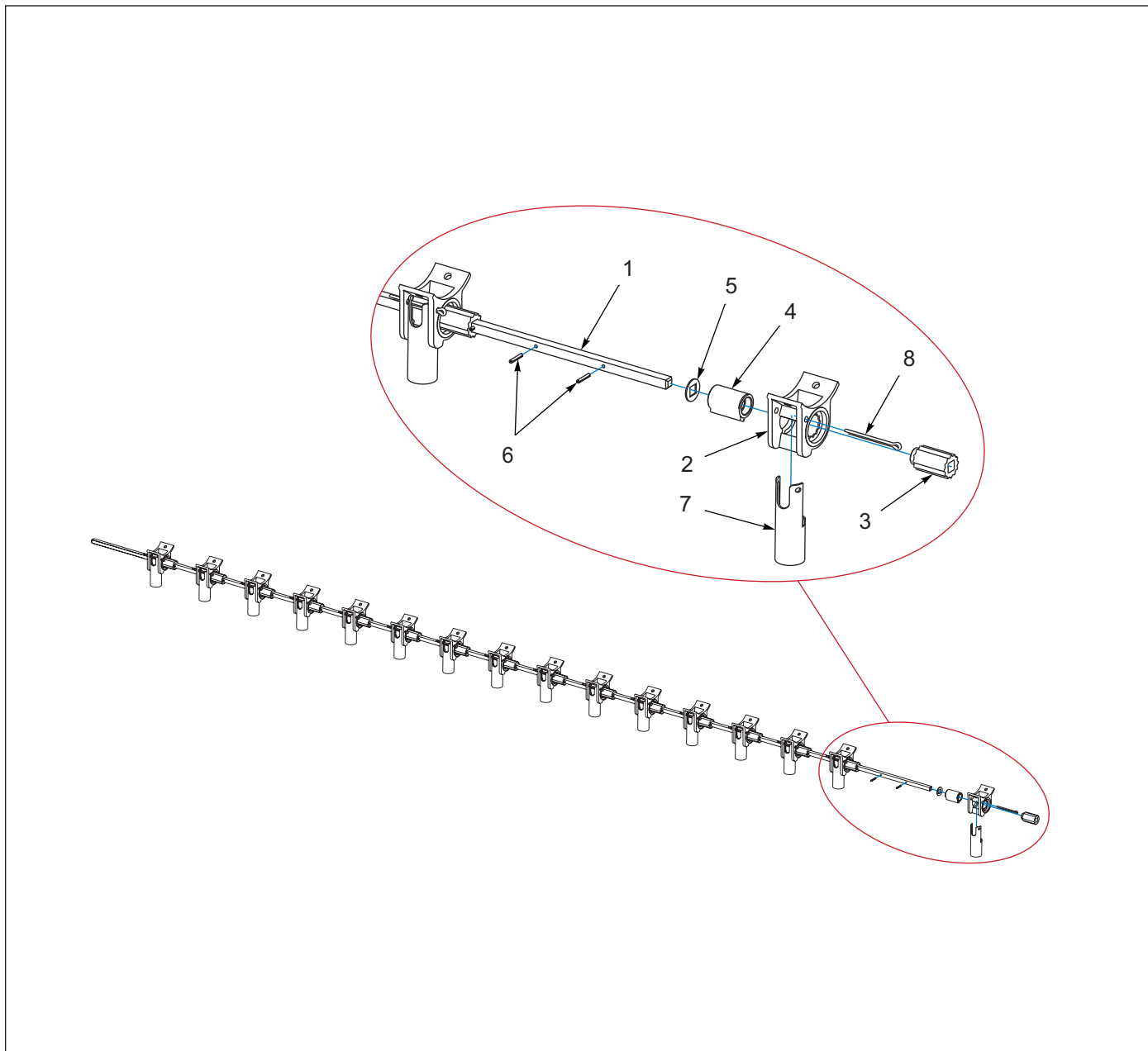


Figure 1-23: Micro-Meter Seed Shaft

Micro-Meter Seed Shaft

ITEM	PART NUMBER	DESCRIPTION	QTY
	229132	SEEDSHAFT ASM,SMALL METER 8FT	1
1	229133	SEEDSHAFT, SMALL METER 8FT	1
2	155874	METER, PLASTIC CUP W/HOLE	16
3	155873	METER, FEED ROLL	16
4	155871	METER, FEED CUT OFF	16
5	1C245	CUTOFF WASHER	16
6	1C272	ROLL PIN 1/8X3/4	32
7	172656	TUBE, GRASS SEED METER	16
8	110-4216	PIN,COTTER 5/32X2 ZP	16

Seed Box Transmission

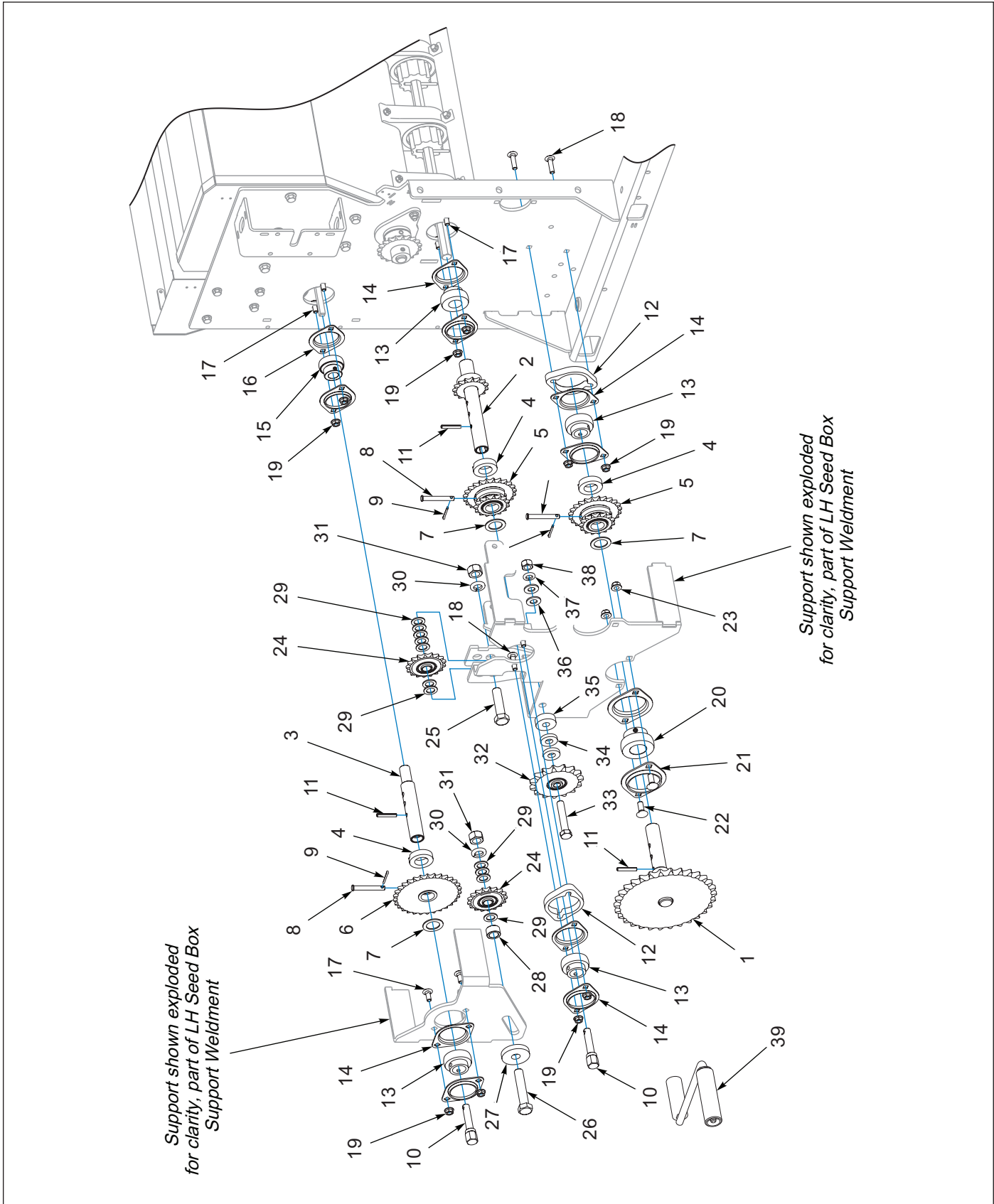


Figure 1-24: Seed Box Transmission

Seed Box Transmission

ITEM	PART NUMBER	DESCRIPTION	QTY
1	229313	JACKSHAFT,30T SPROCKET	1
2	229310	DRIVE TUBE, 15T SPROCKET WLDMT	1
3	226768	DRIVE TUBE	1
4	229369	SPACER, SPROCKET THRUST	3
5	229317	SPROCKET, 23T AND 15T WLDMT	2
6	229367	SPROCKET, 30T W/BUSHINGS	1
7	7C076	MACHINERY BUSHING	3
8	229358	PIN,CLEVIS 5/16 X 2.375	3
9	101386	PIN, COTTER, 1/8X1	3
10	214114	CALIBRATION SHAFT	2
11	1-647-010004217	SPRING PIN, SLOTTED 1/4X1-1/2	3
12	229319	SPACER,BRG 2BLT,3" BC	2
13	144147	BEARING, 52MM OD X 1" ID	4
14	143901	FLANGE, BEARING 2-HOLE	8
15	1D598	BEARING & COLLAR 3/4"	1
16	2K503	FLANGETTE - 2 BOLT	2
17	105909	SCREW,RDHD,SQNCK,5/16-18X3/4	6
18	1P991	CARRIAGE BOLT 5/16-18X1-1/4GR5	4
19	1-510-010004-03	NUT HX FLANGE, 5/16-18 GR8	10
20	205290	BEARING, 1-1/4" ECCENTRIC LOCK	1
21	229368	FLANGETTE,2 BOLT, 62MM	2
22	111276	SCREW RDHD SQNK 3/8-16X1 GR5	2
23	107470	NUT, SPIRALOCK 3/8-16HX	2
24	117721	4017E IDLER SPK: 5/8"	2
25	1-654-010059-07	SCREW HX CP 5/8-11UNCX2-1/2G5	1
26	1C1052ER	SCREW HX HD 5/8-11X3-1/4 GR5	1
27	6K970	WASHER 0.656 X 2.063 X 0.375ZP	1
28	9J391	BUSHING	1
29	8C892	MACHINERY BUSHING 1" ODX5/8"ID	11
30	1-861-010034-15	WASHER,LKG,HLCL SPR,5/8	2
31	1-512-010007-11	NUT, HEX 5/8-11 GR2 ZP	2
32	8K384	IDLER SPROCKET	1
33	101510	SCREW HXCP1/2-13UNCX2-3/4 G5	1
34	2P848	WASHER .5 X 1.25 X .25	2
35	3P246	WASHER, 0.531 X 1.25 X .5	1
36	1-861-010032-14	WASHER, FLAT 1/2" N ZP/CD	2
37	1-861-010034-13	WASHER, LKG HLCL SPR, 1/2	1
38	1-512-010007-09	NUT, HEX 1/2-13 GR2 ZP	1
39	218254	CALIBRATION CRANK ASSY	1

ILLUSTRATED PARTS LIST

Seed Box Drive Chain

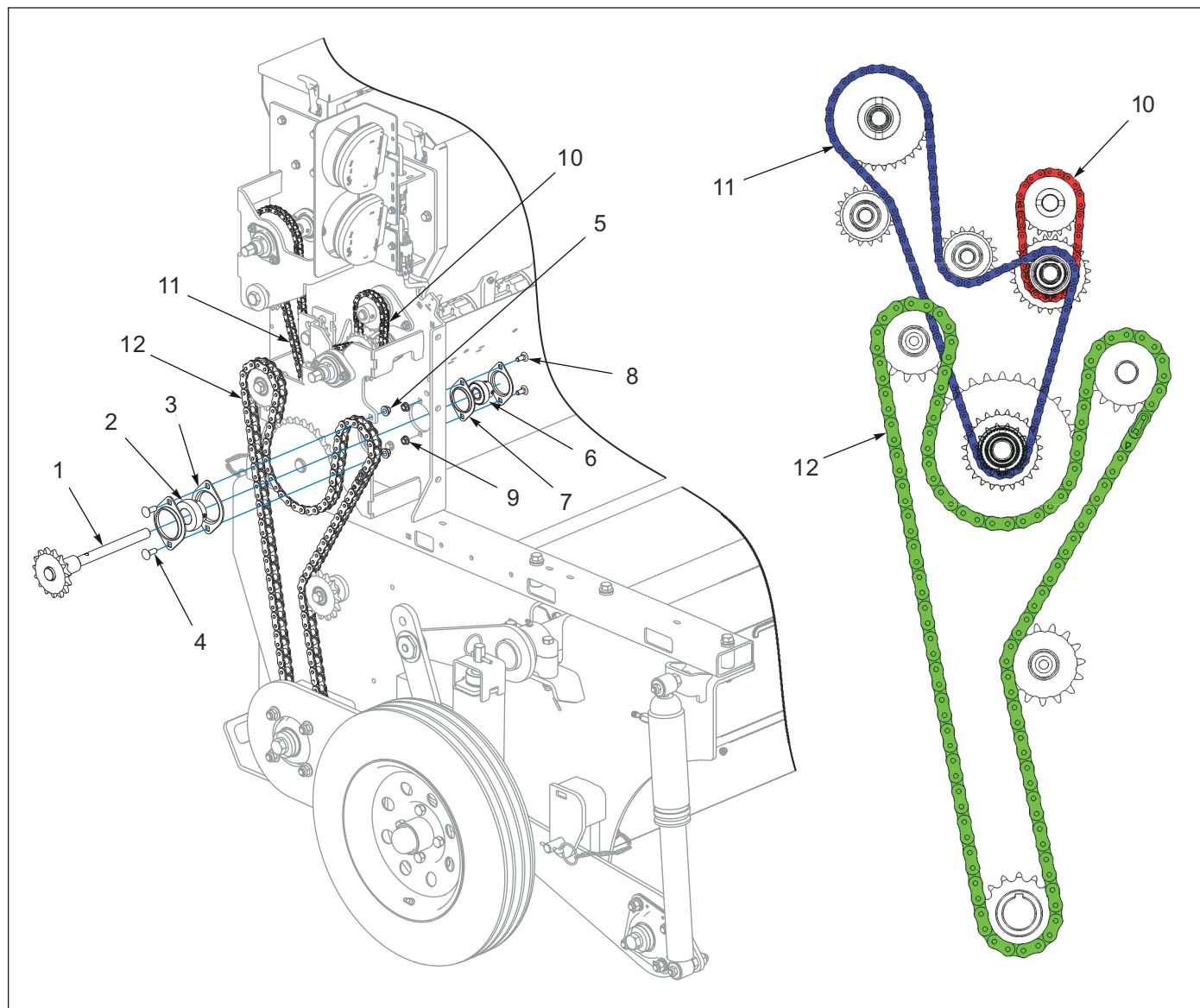


Figure 1-25: Seed Box Drive Chain

Seed Box Drive Chain

ITEM	PART NUMBER	DESCRIPTION	QTY
1	229330	JACKSHAFT, 15T SPROCKET WLDMT	1
2	205290	BEARING, 1-1/4" ECCENTRIC LOCK	1
3	229368	FLANGETTE, 2 BOLT, 62MM	2
4	111276	SCREW RDHD SQNK 3/8-16X1 GR5	2
5	107470	NUT, SPIRALOCK 3/8-16HX	2
6	1D598	BEARING & COLLAR 3/4"	1
7	2K503	FLANGETTE - 2 BOLT	2
8	105909	SCREW, RDHD, SQNCK, 5/16-18X3/4	2
9	1-510-010004-03	NUT HX FLANGE, 5/16-18 GR8	2
10	3P062	ROLLER CHAIN #40 X 31 PITCHES	1
11	6K460	ROLLER CHAIN #40 X 106 PITCHES	1
12	229374	ROLLER CHAIN, #60 X 125 PITCHES	1

Seed Box Seed Shaft Adjusters

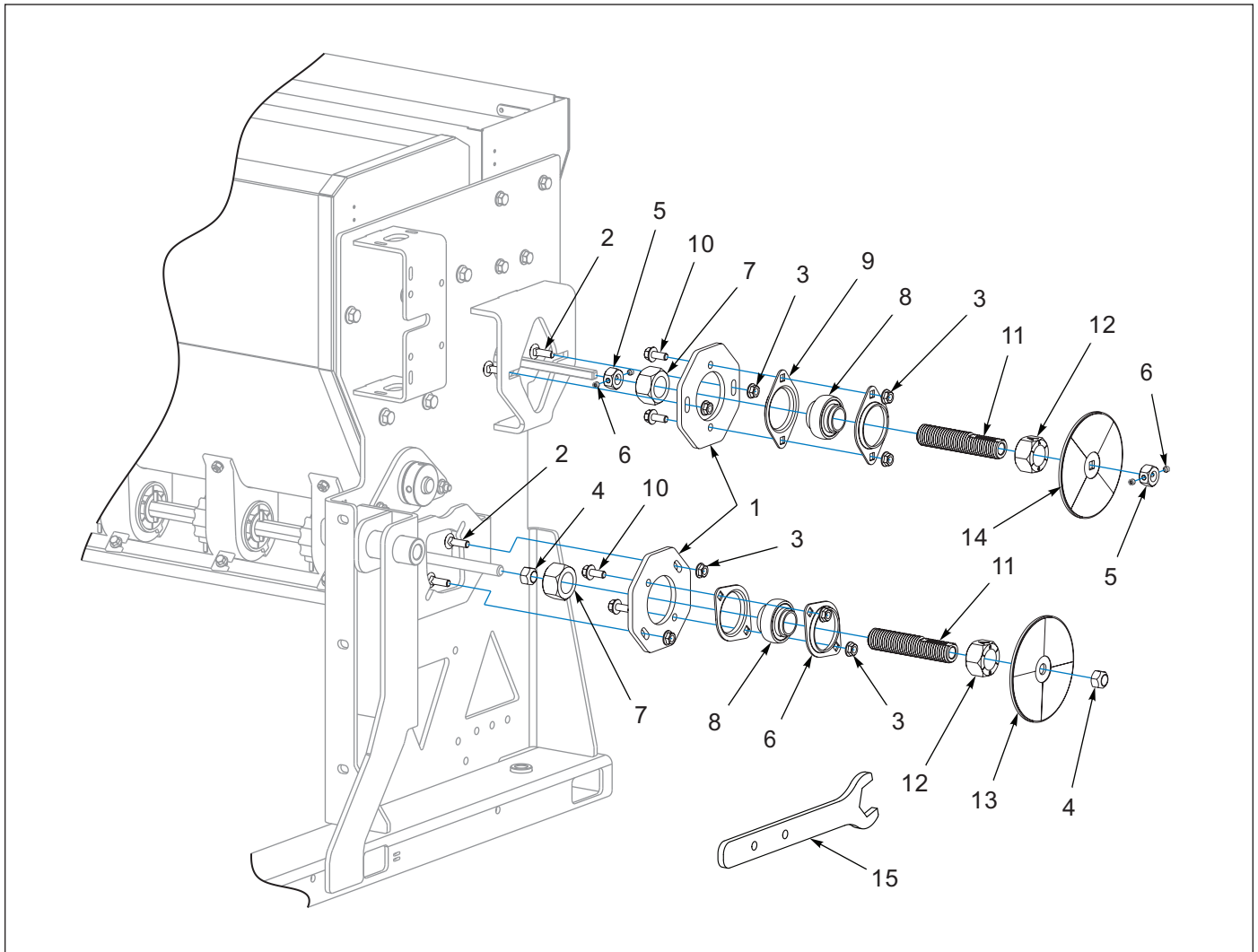


Figure 1-26: Seed Box Seed Shaft Adjusters

Seed Box Seed Shaft Adjusters

ITEM	PART NUMBER	DESCRIPTION	QTY
1	5K968	BEARING CARRIER	2
2	104031	SCREW,RDHD,SQNK 5/16-18X1 GR5	4
3	1-510-010004-03	NUT HX FLANGE, 5/16-18 GR8	8
4	1-512-010005-09	NUT,HEX,SLFLKG, 1/2-13 GRB	2
5	200964	ADJ COLLAR ASSY W/SET SCREWS (INCLUDES ITEM 6)	2
6	118636	SCREW SSSH FT PT1/4-20X1/4 ZP	2
7	1-512-010007-14	NUT, HEX 1-8 GR2 ZP	2
8	229372	BEARING,1" BORE	2
9	143901	FLANGE, BEARING 2-HOLE	4
10	144268	SCREW 5/16-18UNCX3/4FLG HD ZP	4
11	9J433	ADJUSTING SCREW	2
12	4D402	NUT SEED RATE ADJUSTING	2
13	229306	PINWHEEL ASM,1/2" HOLE	1
14	218294	PINWHEEL ASM	1
15	5K319	WRENCH 1-1/2"	2

Calibration Tray and Deflector

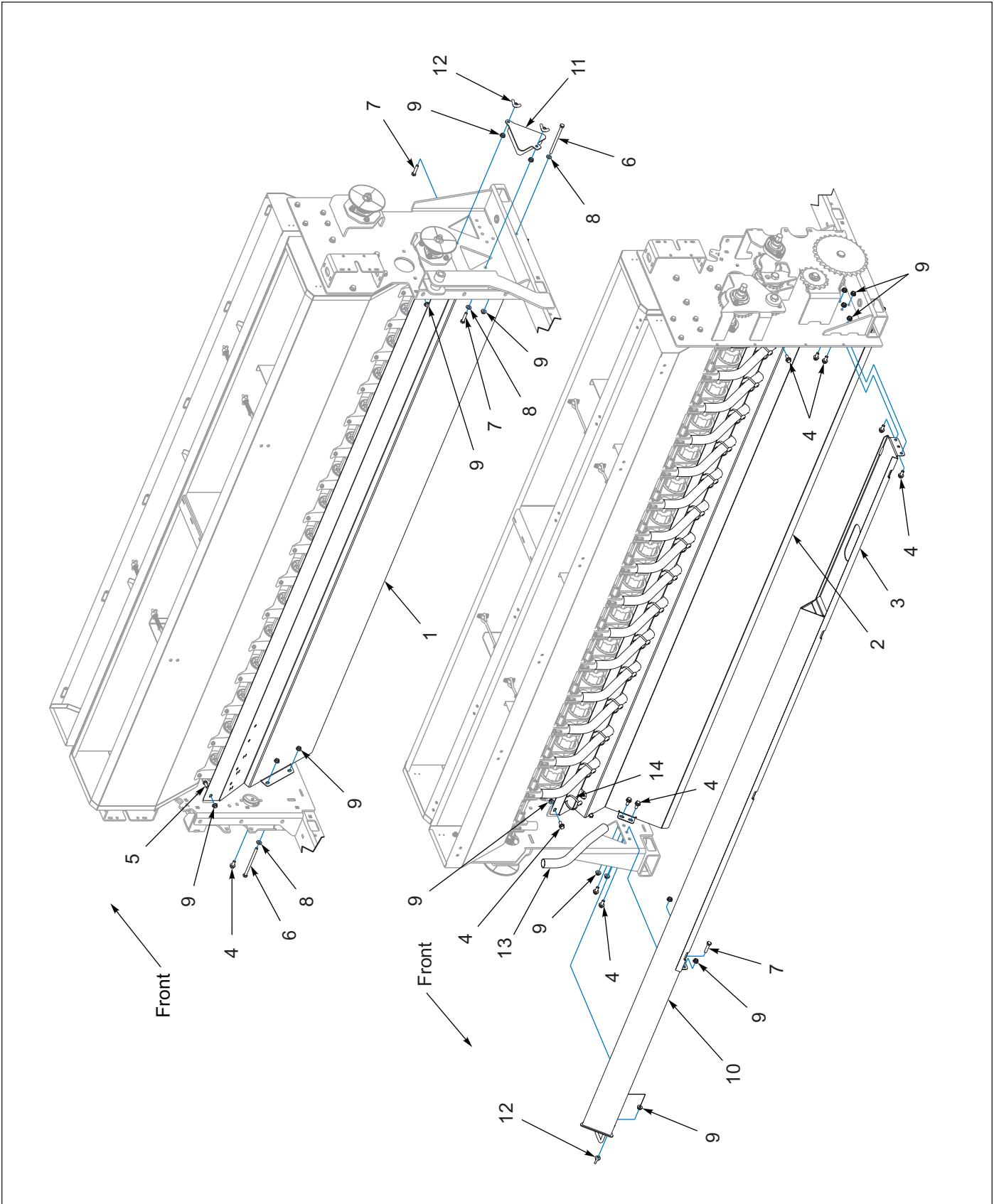


Figure 1-27: Calibration Tray and Deflector

Calibration Tray and Deflector

ITEM	PART NUMBER	DESCRIPTION	QTY
1	226794	REAR DEFLECTOR,8FT	1
2	226793	FRONT DEFLECTOR,8FT	1
3	229285	CALIBRATION TRAY SCABBARD	1
4	144268	SCREW 5/16-18UNCX3/4FLG HD ZP	11
5	1-654-010049-03	SCREW HX CP 5/16-18UNCX3/4GR5	2
6	1-654-010049-19	SCREW,HEX CP,5/16-18UNCX5 GR5	2
7	229291	SCREW,HHC TAP,5/16-18X1.5,GR5	3
8	1-861-010032-08	WASHER,FLAT 5/16 N ZP	3
9	1-510-010004-03	NUT HX FLANGE, 5/16-18 GR8	18
10	229286	CALIBRATION TRAY WLDMT	1
11	229361	COVER,CALIBRATION OPENING ASSY	1
12	219133	WING NUT,NY-LOK 5/16-18	3
13	229370	HOSE, 1"IDX1/8"WALLX13"	16
14	105-0228	TYWRAP 8IN LG TY-5272MX	16

Agitator Box Frame and Cover

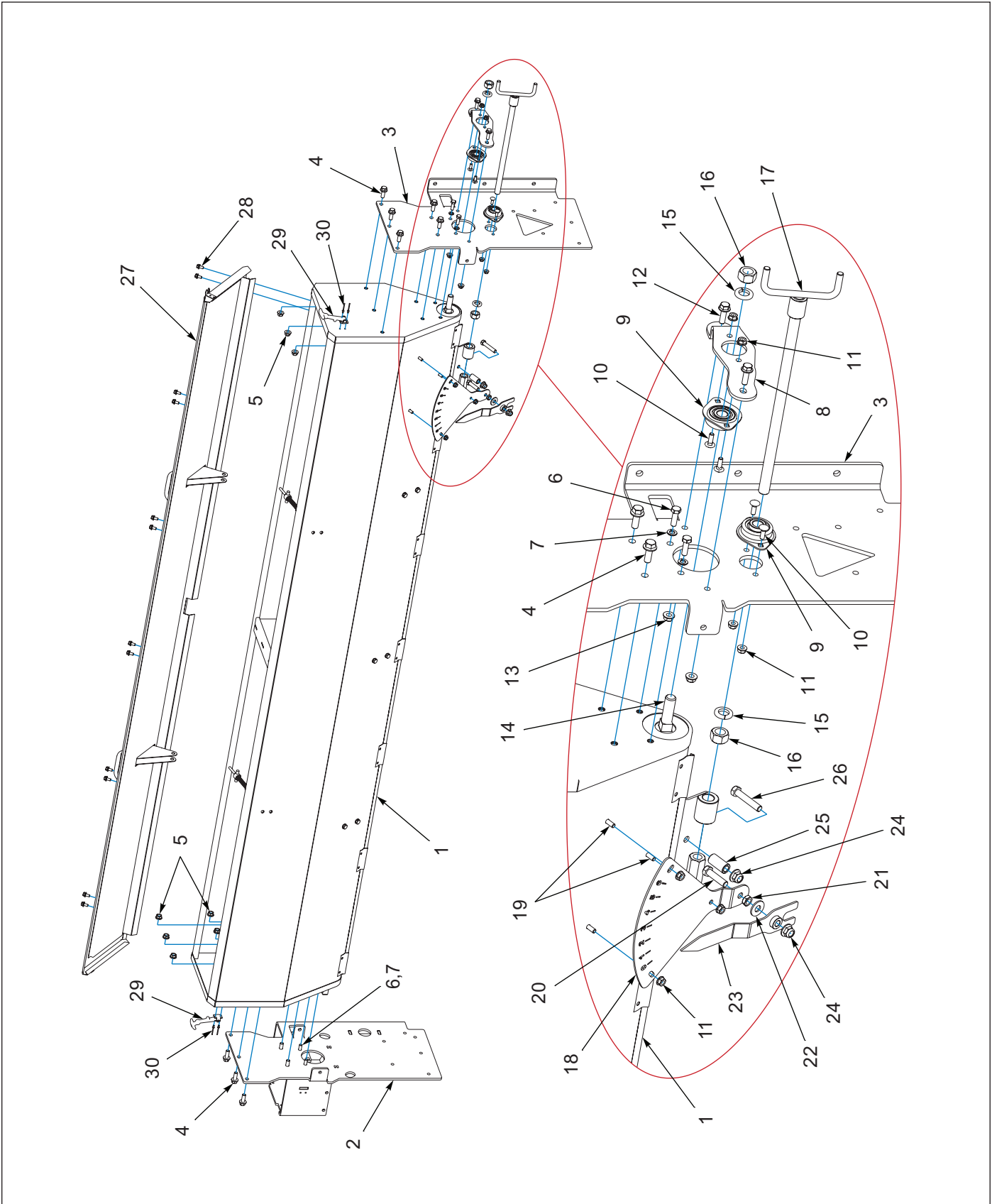


Figure 1-28: Agitator Box Frame and Cover

Agitator Box Frame and Cover

ITEM	PART NUMBER	DESCRIPTION	QTY
1	229320	SEEDBOX, AGITATOR 8FT	1
2	229340	SUPPORT, SEEDBOX LH WLDMT	1
3	229339	PLATE,RH SUPPORT	1
4	1-655-010003-05	SCREW,FLANGE HD 3/8-16X1 GR8	10
5	107470	NUT, SPIRALOCK 3/8-16HX	10
6	1-654-010049-05	SCREW HX CP 5/16-18UNCX1 GR5	4
7	1-861-010034-10	WASHER,LKG 5/16	4
8	229348	STANDOFF,BEARING	1
9	229344	BEARING,FLUSH MNT 5/8 BORE	2
10	1-654-010158-1	SCREW,RHD,SQ NCK,1/4-20UNCX3/4	4
11	108417	NUT SPIRAL 1/4-20HX FG	7
12	226769	SCREW,FLG HD 5/16-18X1,GR5,ZP	2
13	1-510-010004-03	NUT HX FLANGE, 5/16-18 GR8	2
14	229355	SHAFT,AGITATOR 8FT	1
15	1-861-010034-15	WASHER,LKG,HLCL SPR,5/8	3
16	1-512-010007-11	NUT, HEX 5/8-11 GR2 ZP	3
17	229345	SCREW,AGITATOR ADJUSTING WLDMT	1
18	229333	MOUNT,INDICATOR	1
19	1-654-010047-03	SCREW, HEX 1/4-20UNCX5/8	3
20	1-654-010160-07	SCREW 3/8-16X1.5HHCS FULLTHRD	1
21	1-511-010001-03	NUT 3/8-16 HEX JAM	1
22	1-861-010043-10	WASHER 3/8 PL FL S/S	1
23	229336	INDICATOR WLDMT	1
24	2P252	NUT, FLANGE NY-LOK 3/8-16	2
25	3P143	TUBE, RD 0.625X0.386X1.25	1
26	1-654-010051-09	SCREW,HEX CAP,3/8-16UNCX2 GR5	1
27	229126	COVER, 8FT	1
28	7J140	SCREW 1/4-20 X 1/2	12
29	191376	LATCH,3" RUBBER	2
30	107-0814	RIVET 1/8X1/8 A LUM POP	4

Agitator Box Assembly

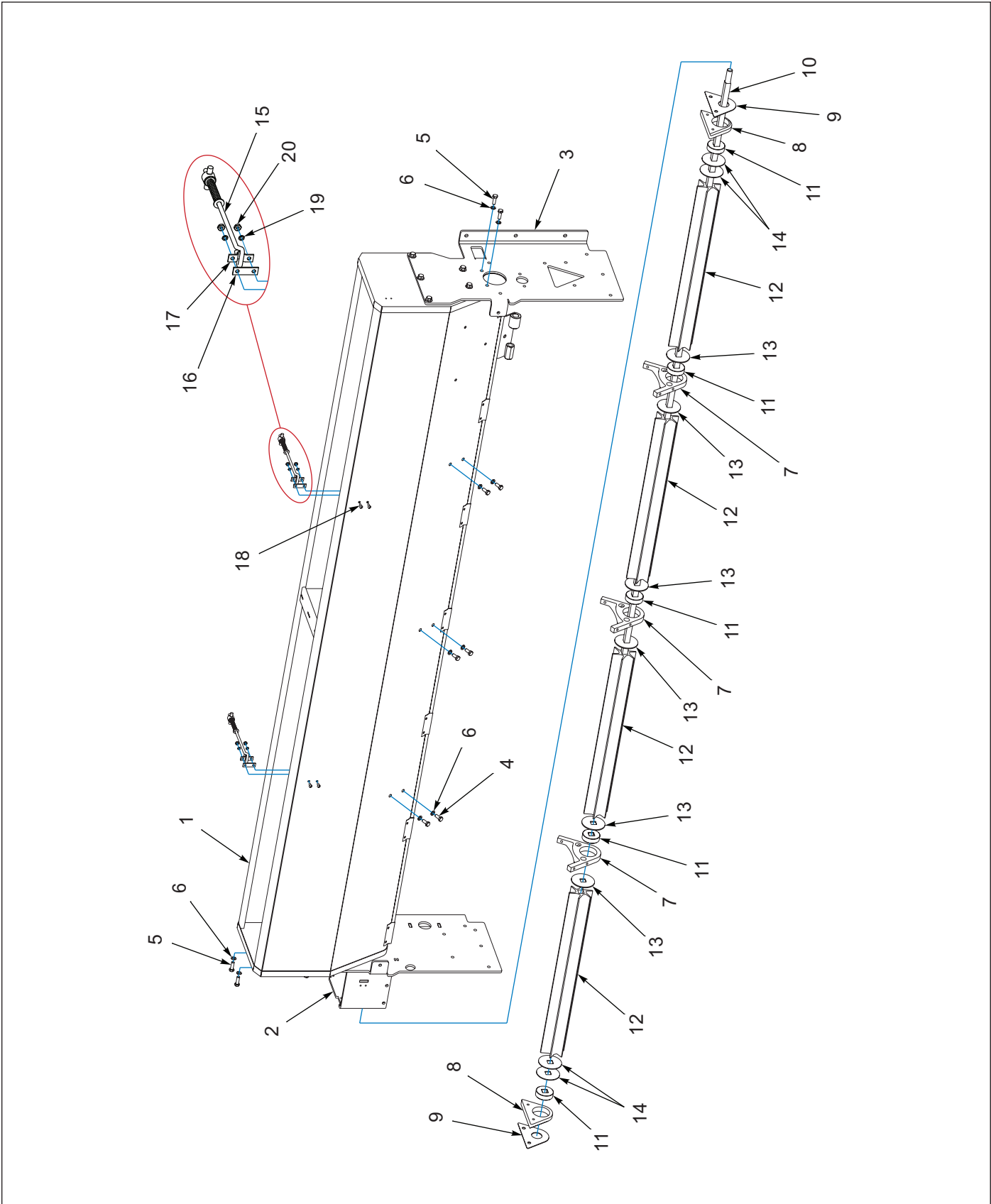


Figure 1-29: Agitator Box Assembly

Agitator Box Assembly

ITEM	PART NUMBER	DESCRIPTION	QTY
1	229320	SEEDBOX, AGITATOR 8FT	1
2	229340	SUPPORT, SEEDBOX LH WLDMT	1
3	229339	PLATE,RH SUPPORT	1
4	1-654-010049-03	SCREW HX CP 5/16-18UNCX3/4GR5	12
5	1-654-010049-05	SCREW HX CP 5/16-18UNCX1 GR5	4
6	1-861-010034-10	WASHER,LKG 5/16	16
7	2C913	INTERMEDIATE BEARING	3
8	2C911	END BEARING	2
9	229354	COVER,AGITATOR BRG	2
10	229355	SHAFT,AGITATOR 8FT	1
11	2C808	BUSHING	5
12	7K656	BLADE AGITATOR 22-7/8	4
13	2C809	WASHER,SQ BORE 12GA	6
14	8J564	WASHER,SQ BORE 14 GA	10
15	2C360	PIVOT LOCK ASSY	2
16	7D937	WEAR STRIP	2
17	7D938	COVER LOCK CLIP	2
18	1C213	STOVE BOLT #10-24X1/2 RD HD ZP	4
19	1-861-010034-07	WASHER,LKG,HLCL SPR, NO 10	4
20	1-512-010007-03	NUT, HEX 10-24 GR2 ZP	4

Agitator Transmission

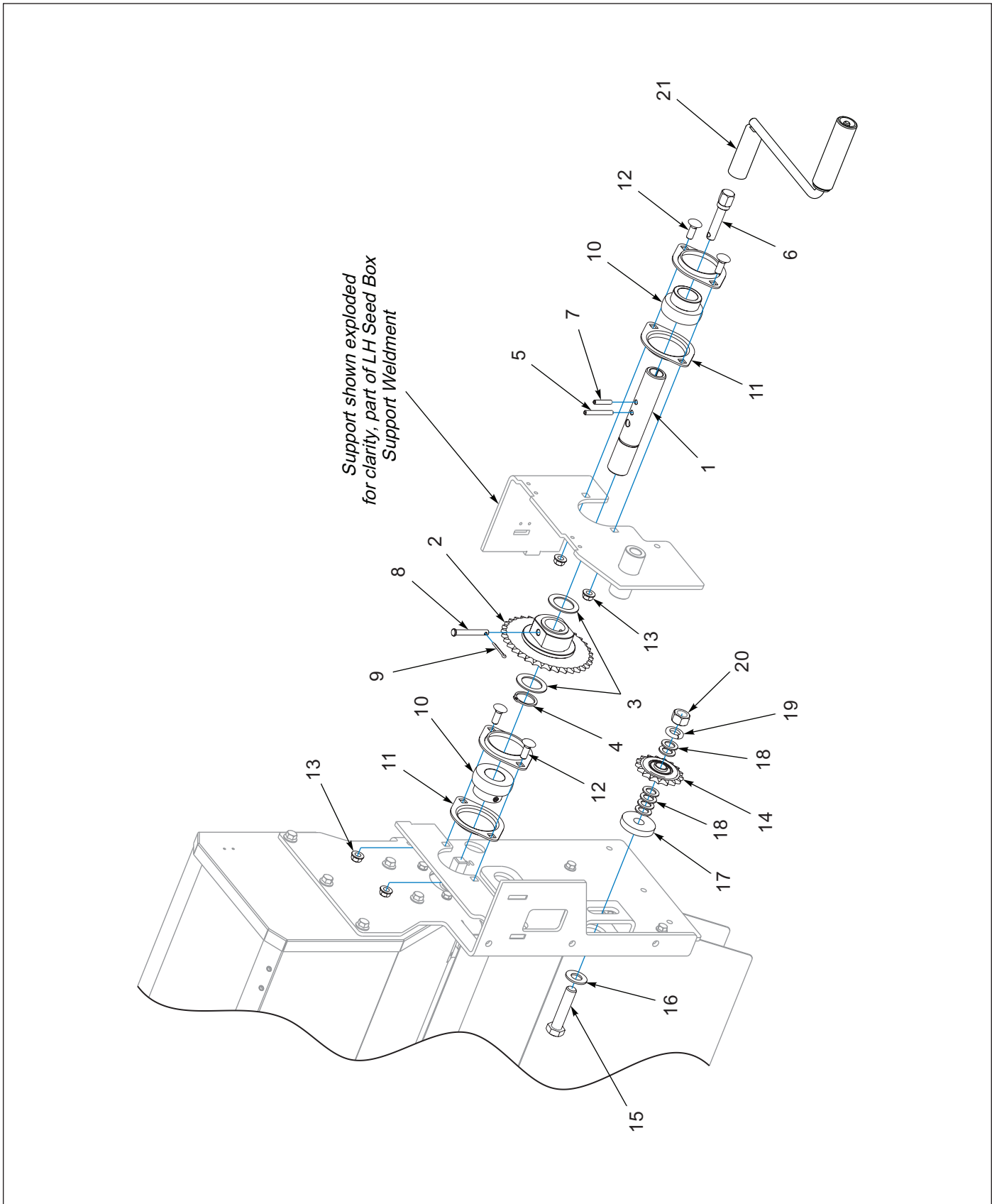


Figure 1-30: Agitator Transmission

Agitator Transmission

ITEM	PART NUMBER	DESCRIPTION	QTY
1	229351	DRIVE TUBE, 5/8 SQ	1
2	229349	SPROCKET, 34T W/BUSHING WLDMT	1
3	4J548	MACH BUSH, 1.25 X 1.875 X 14GA	1
4	120454	RING,RETAINING 1.25 HD	1
5	1-647-010004221	PIN,SPRING 1/4X2 SLOTTED	1
6	214114	CALIBRATION SHAFT	1
7	7C285	ROLLPIN 1/4 X 1-1/4	1
8	229358	PIN,CLEVIS 5/16 X 2.375	1
9	101386	PIN, COTTER, 1/8X1	1
10	205290	BEARING, 1-1/4" ECCENTRIC LOCK	2
11	229368	FLANGETTE,2 BOLT, 62MM	4
12	111276	SCREW RDHD SQNK 3/8-16X1 GR5	4
13	107470	NUT,SPIRALOCK 3/8-16HX	4
14	117721	4017E IDLER SPK: 5/8"	1
15	1-654-010059-08	SCREW HX CP 5/8-11UNCX2-3/4G5	1
16	1-861-010032-18	WASHER, FLAT 5/8 N ZP/CD	1
17	6K970	WASHER 0.656 X 2.063 X 0.375ZP	1
18	8C892	MACHINERY BUSHING 1" ODX5/8"ID	6
19	1-861-010034-15	WASHER,LKG,HLCL SPR,5/8	1
20	1-512-010007-11	NUT, HEX 5/8-11 GR2 ZP	1
21	218254	CALIBRATION CRANK ASSY	1

Agitator Box Drive Chain

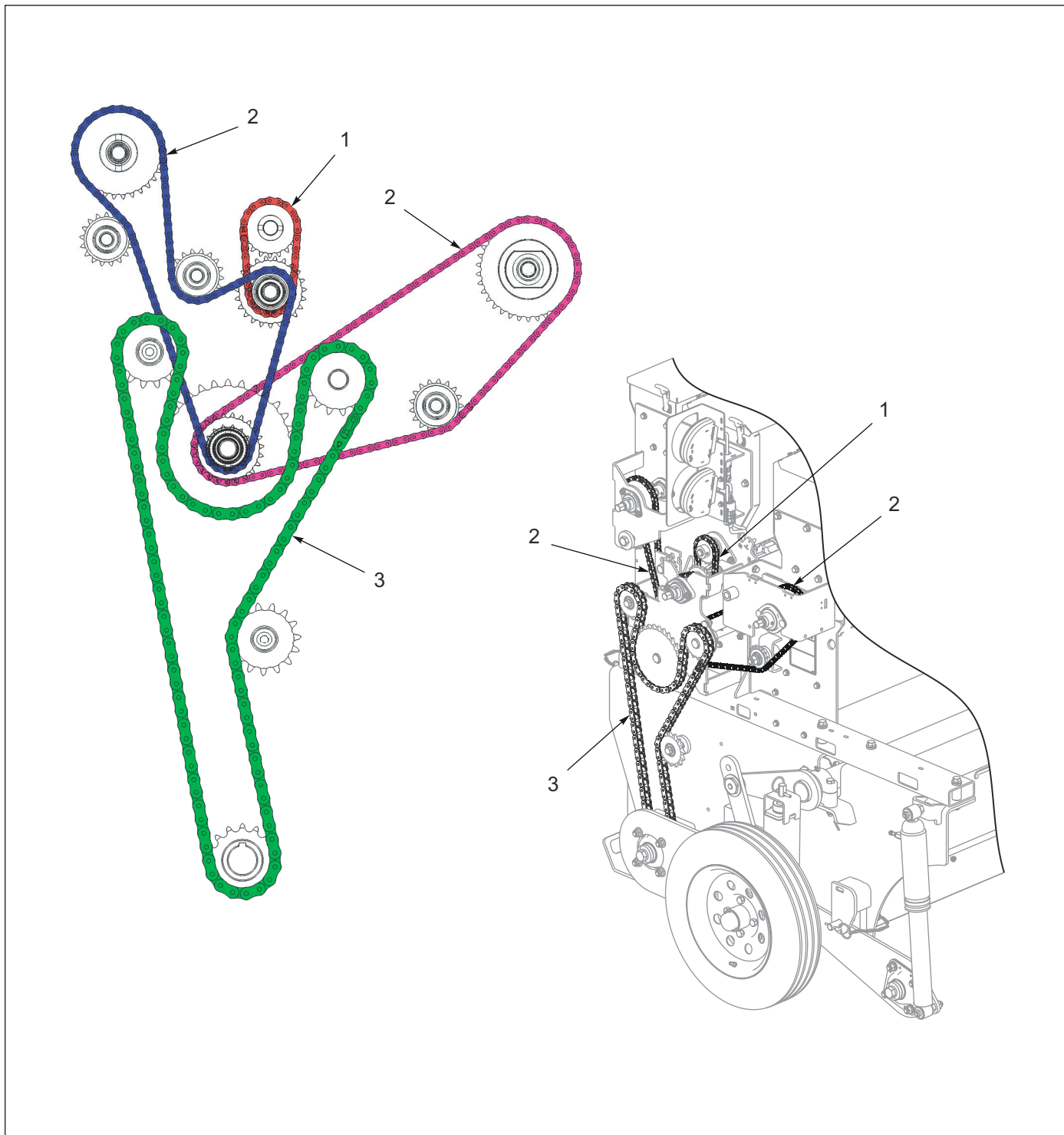


Figure 1-31: Agitator Box Drive Chain

Agitator Box Drive Chain

ITEM	PART NUMBER	DESCRIPTION	QTY
1	3P062	ROLLER CHAIN #40 X 31 PITCHES	1
2	6K460	ROLLER CHAIN #40 X 106 PITCHES	2
3	229374	ROLLER CHAIN,#60 X 125 PITCHES	1

Agitator Box Deflectors

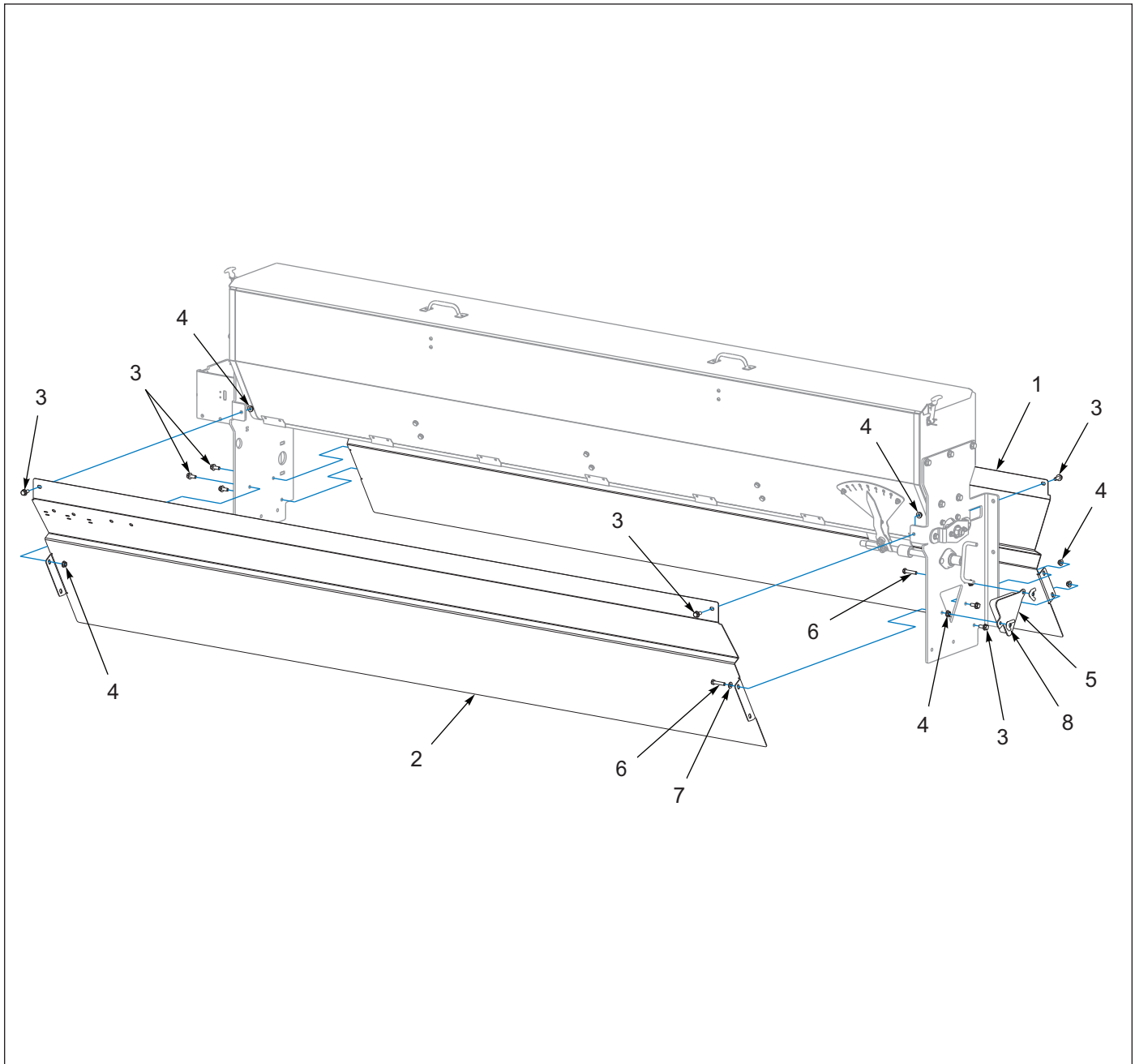


Figure 1-32: Agitator Box Deflectors

Agitator Box Deflectors

ITEM	PART NUMBER	DESCRIPTION	QTY
1	226795	FRONT DEFLECTOR,AGITATOR 8FT	1
2	226794	REAR DEFLECTOR,8FT	1
3	144268	SCREW 5/16-18UNCX3/4FLG HD ZP	9
4	1-510-010004-03	NUT HX FLANGE, 5/16-18 GR8	11
5	229361	COVER,CALIBRATION OPENING ASSY	1
6	229291	SCREW,HHC TAP,5/16-18X1.5,GR5	2
7	1-861-010032-08	WASHER,FLAT 5/16 N ZP	1
8	219133	WING NUT,NY-LOK 5/16-18	2

Upper to Lower Frame Assembly

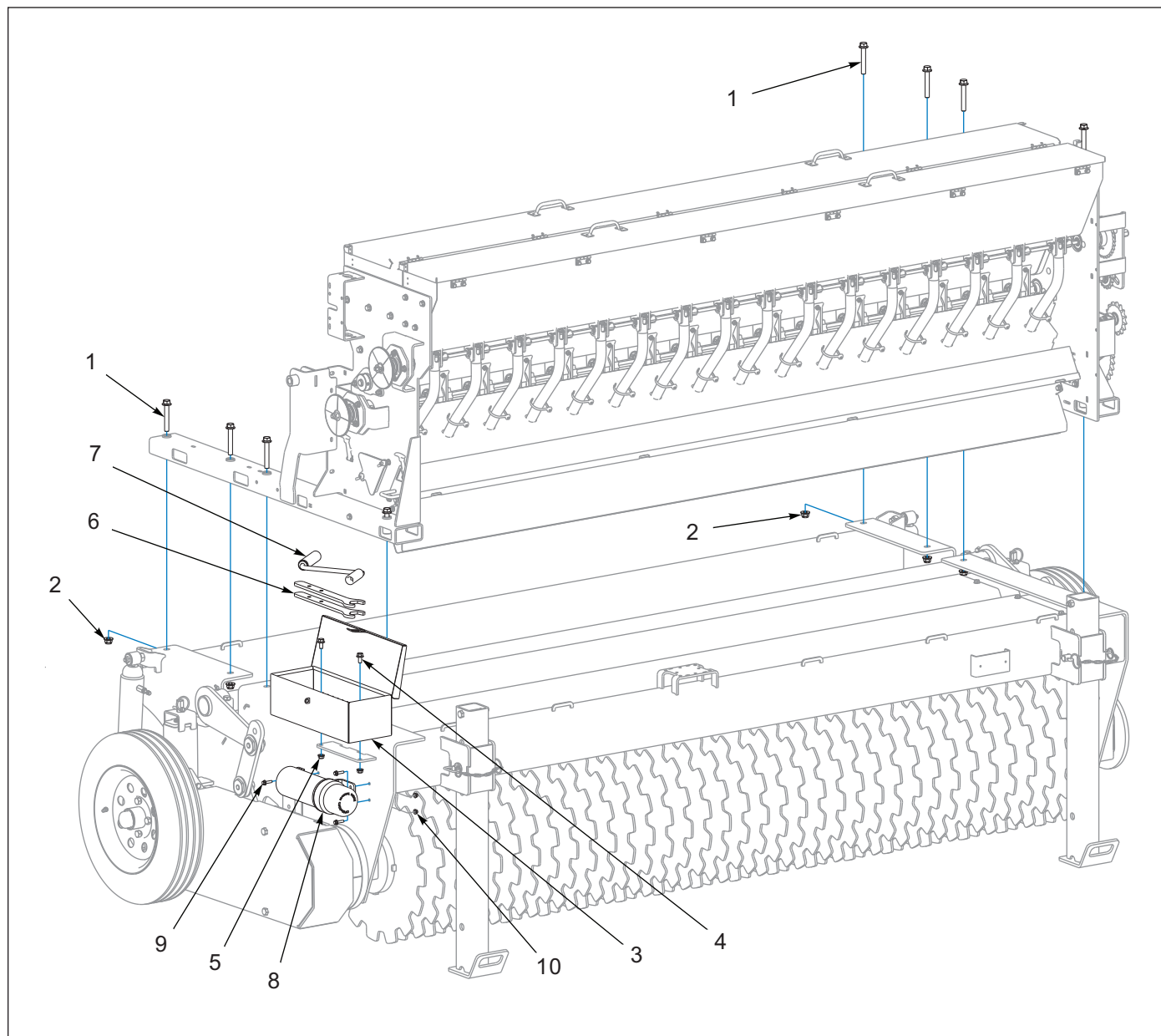


Figure 1-33: Upper to Lower Frame Assembly

Upper to Lower Frame Assembly

ITEM	PART NUMBER	DESCRIPTION	QTY
1	226771	SCREW, FLGHD1/2-13X3-1/4GR8	8
	2P253	NUT, FLANGE NY-LOK 1/2-13	8
3	214084	TOOLBOX, 16" BLACK	1
4	179776	SCREW, FLANGE HEAD 3/8-16X3/4	2
5	107470	NUT, SPIRALOCK 3/8-16HX	2
6	5K319	WRENCH 1-1/2"	2
7	218254	CALIBRATION CRANK ASSY	1
8	142753	MANUAL HOLDER	1
9	7K237	FLANGED CAPSCREW	3
10	108417	NUT SPIRAL 1/4-20HX FG	3

Standard Boxes Shock

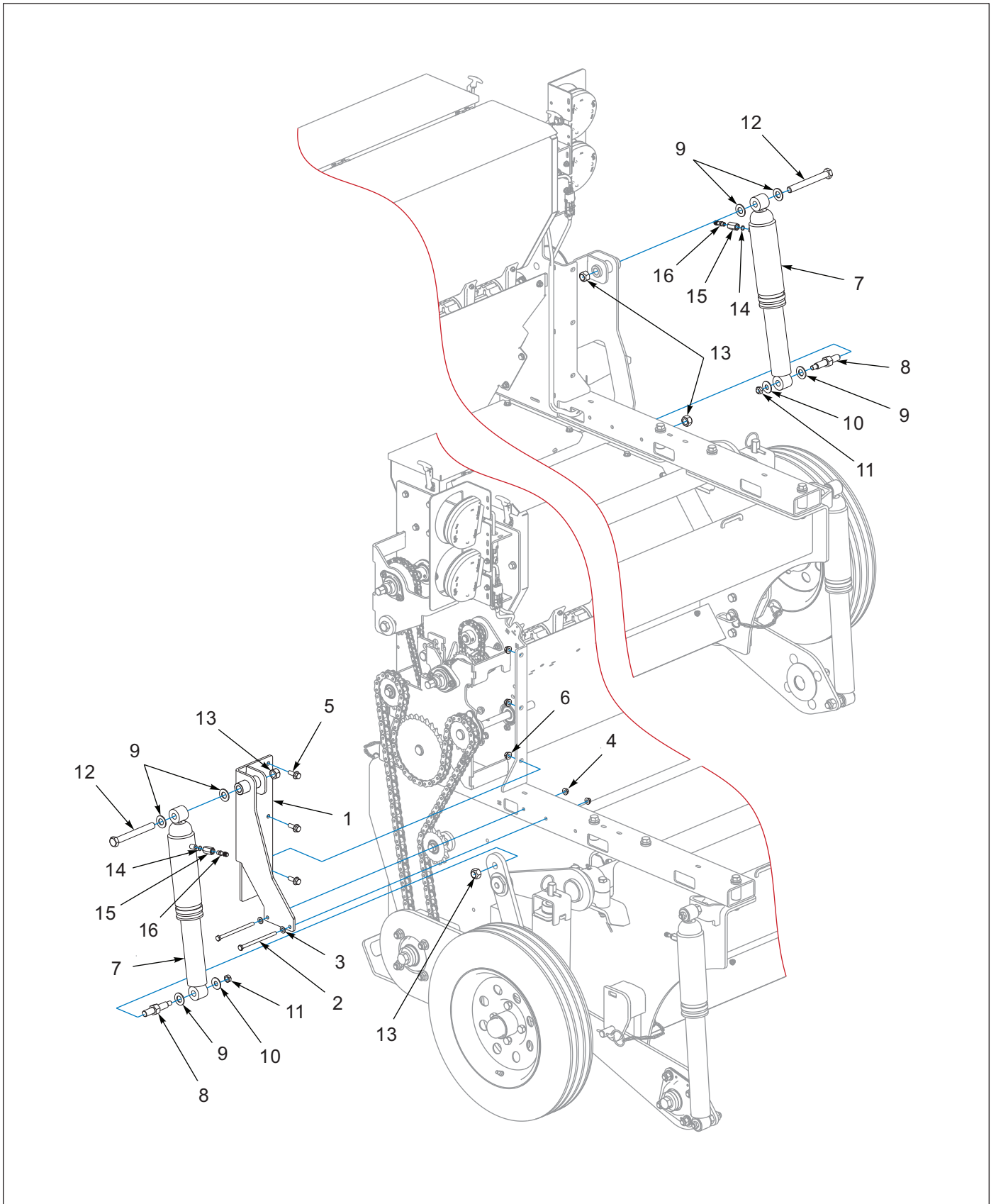


Figure 1-34: Standard Boxes Shock

Standard Boxes Shock

ITEM	PART NUMBER	DESCRIPTION	QTY
1	229308	BRACKET, SHOCK WLDMT	1
2	1-654-010049-19	SCREW,HEX CP,5/16-18UNCX5 GR5	2
3	1-861-010032-08	WASHER,FLAT 5/16 N ZP	2
4	1-510-010004-03	NUT HX FLANGE, 5/16-18 GR8	2
5	1-655-010003-05	SCREW,FLANGE HD 3/8-16X1 GR8	3
6	107470	NUT,SPIRALOCK 3/8-16HX	3
7	3P274	SHOCK, MAKE FROM 3P295	2
8	3P275	STUD, SHOCK	2
9	1-861-010032-18	WASHER, FLAT 5/8 N ZP/CD	6
10	1-861-010032-13	WASHER FLAT 7/16	2
11	125436	NUT HX SLFLKG 7/16-20 GRB	2
12	1-654-010059-16	SCREW,HEX CAP,5/8-11UNCX5.50	2
13	1-512-010005-13	NUT,HEX SLFLKG GRB 5/8-11	4
14	200965	O-RING, 495OD X .351ID	2
15	187454	FITTING, AIR ADAPTER	2
16	3P276	BRASS AIR TANK VALVE, 1/8 NPT	2

Agitator Box Shock

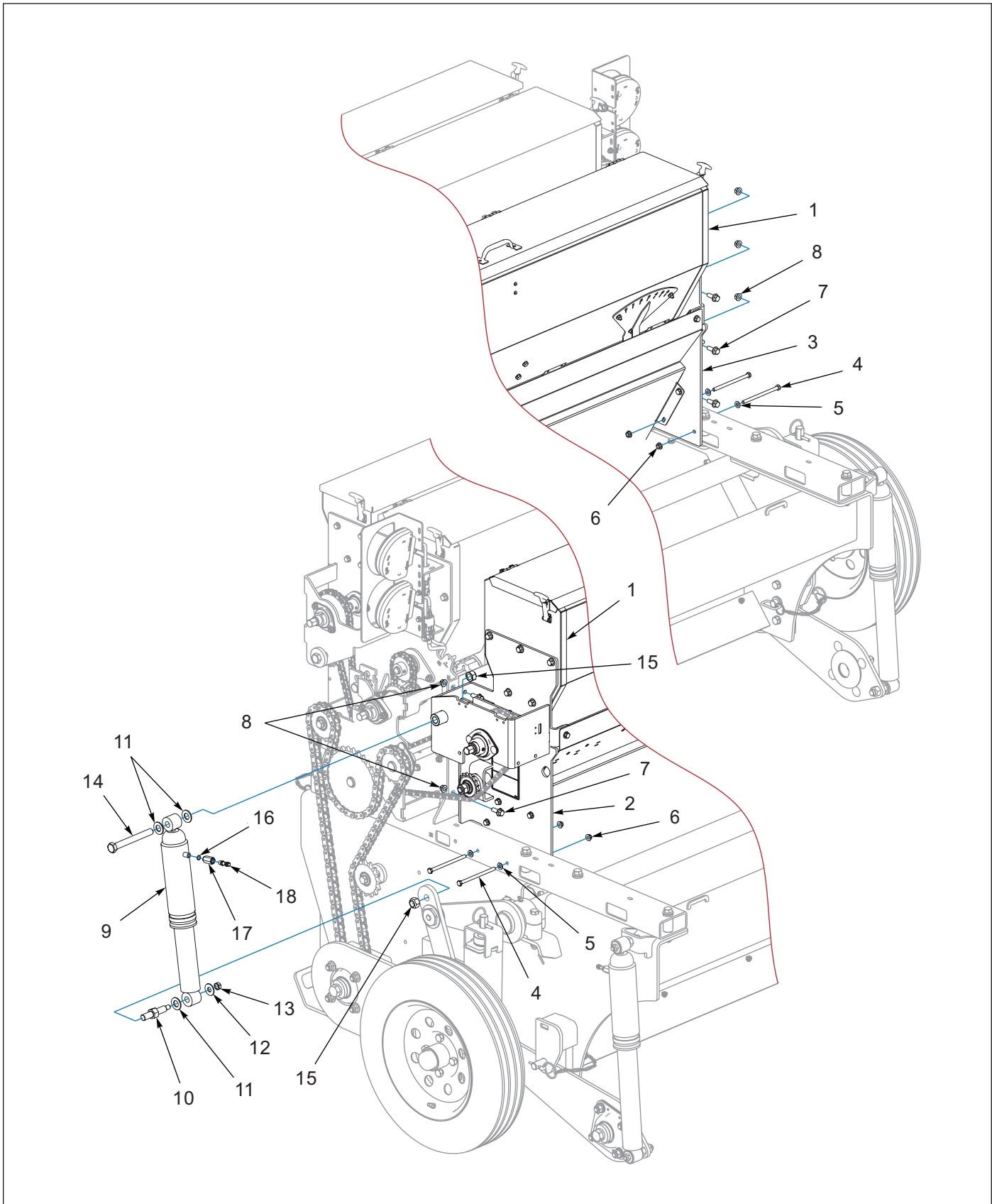


Figure 1-35: Agitator Box Shock

Agitator Box Shock

ITEM	PART NUMBER	DESCRIPTION	QTY
1	229320	SEEDBOX, AGITATOR 8FT	1
2	229340	SUPPORT, SEEDBOX LH WLDMT	1
3	229339	PLATE,RH SUPPORT	1
4	1-654-010049-19	SCREW,HEX CP,5/16-18UNCX5 GR5	4
5	1-861-010032-08	WASHER,FLAT 5/16 N ZP	4
6	1-510-010004-03	NUT HX FLANGE, 5/16-18 GR8	4
7	1-655-010003-05	SCREW,FLANGE HD 3/8-16X1 GR8	6
8	107470	NUT,SPIRALOCK 3/8-16HX	6
9	3P274	SHOCK, MAKE FROM 3P295	1
10	3P275	STUD, SHOCK	1
11	1-861-010032-18	WASHER, FLAT 5/8 N ZP/CD	3
12	1-861-010032-13	WASHER FLAT 7/16	1
13	125436	NUT HX SLFLKG 7/16-20 GRB	1
14	1-654-010059-16	SCREW,HEX CAP,5/8-11UNCX5.50	1
15	1-512-010005-13	NUT,HEX SLFLKG GRB 5/8-11	2
16	200965	O-RING, 495OD X .351ID	1
17	187454	FITTING, AIR ADAPTER	1
18	3P276	BRASS AIR TANK VALVE, 1/8 NPT	1

Standard Shields and Walk Planks

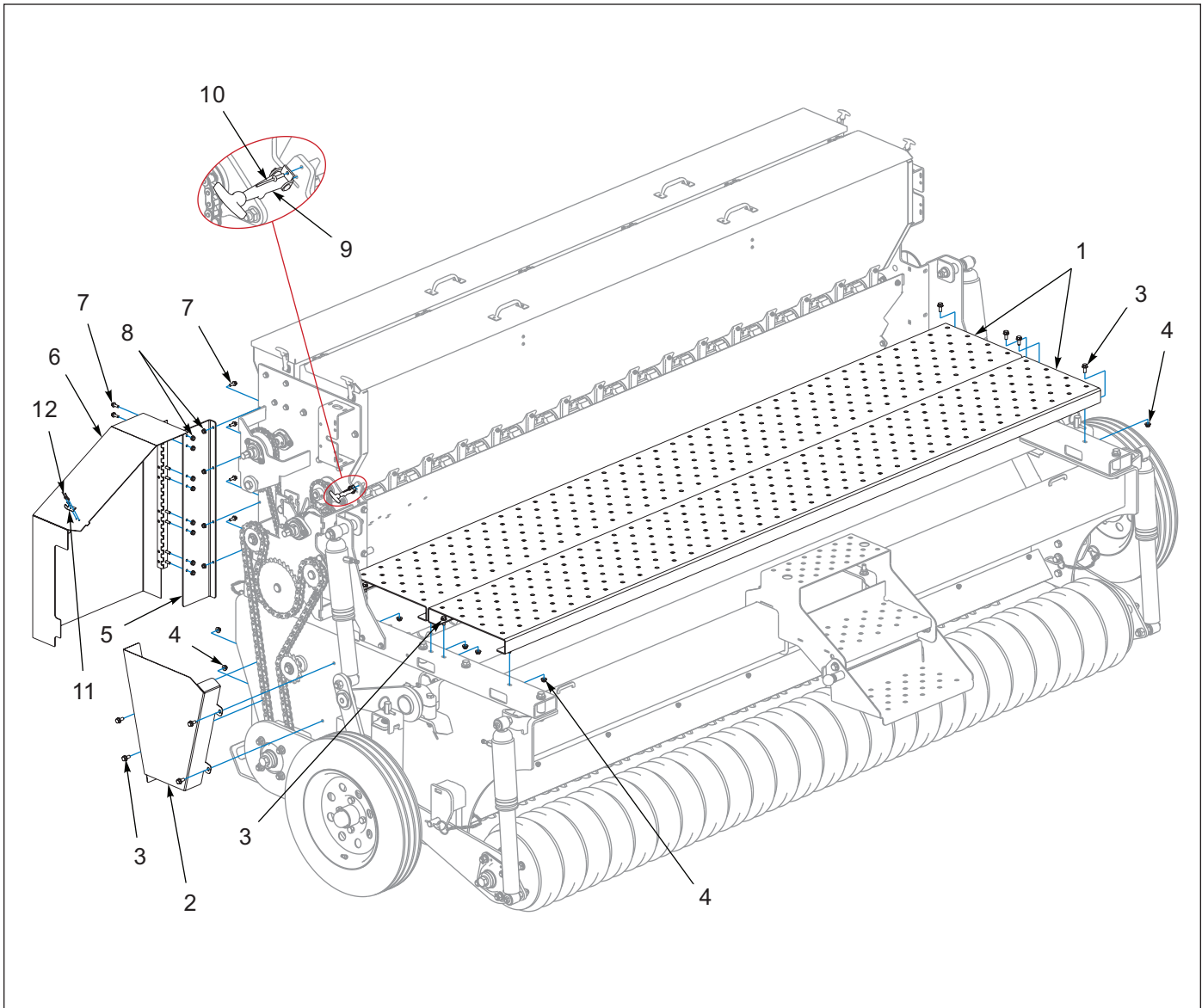


Figure 1-36: Standard Shields and Walk Planks

Standard Shields and Walk Planks

ITEM	PART NUMBER	DESCRIPTION	QTY
1	229154	WALK PLANK	2
2	229283	SHIELD LOWER	1
3	144268	SCREW 5/16-18UNCX3/4FLG HD ZP	12
4	1-510-010004-03	NUT HX FLANGE, 5/16-18 GR8	12
5	236923	MOUNT, SHIELD	1
6	236921	SHIELD, UPPER TRANSMISSION WLD	1
7	9K228	FHHCS 1/4-20X3/4 GR5 BLKPLT	12
8	108417	NUT SPIRAL 1/4-20HX FG	12
9	191376	LATCH,3" RUBBER	1
10	51365-4	RIVET BLIND DOME AL 1/8X.515	2
11	7K345	LATCH CLIP	1
12	107-0814	RIVET 1/8X1/8 A LUM POP	2

Agitator Box Shield and Walk Plank

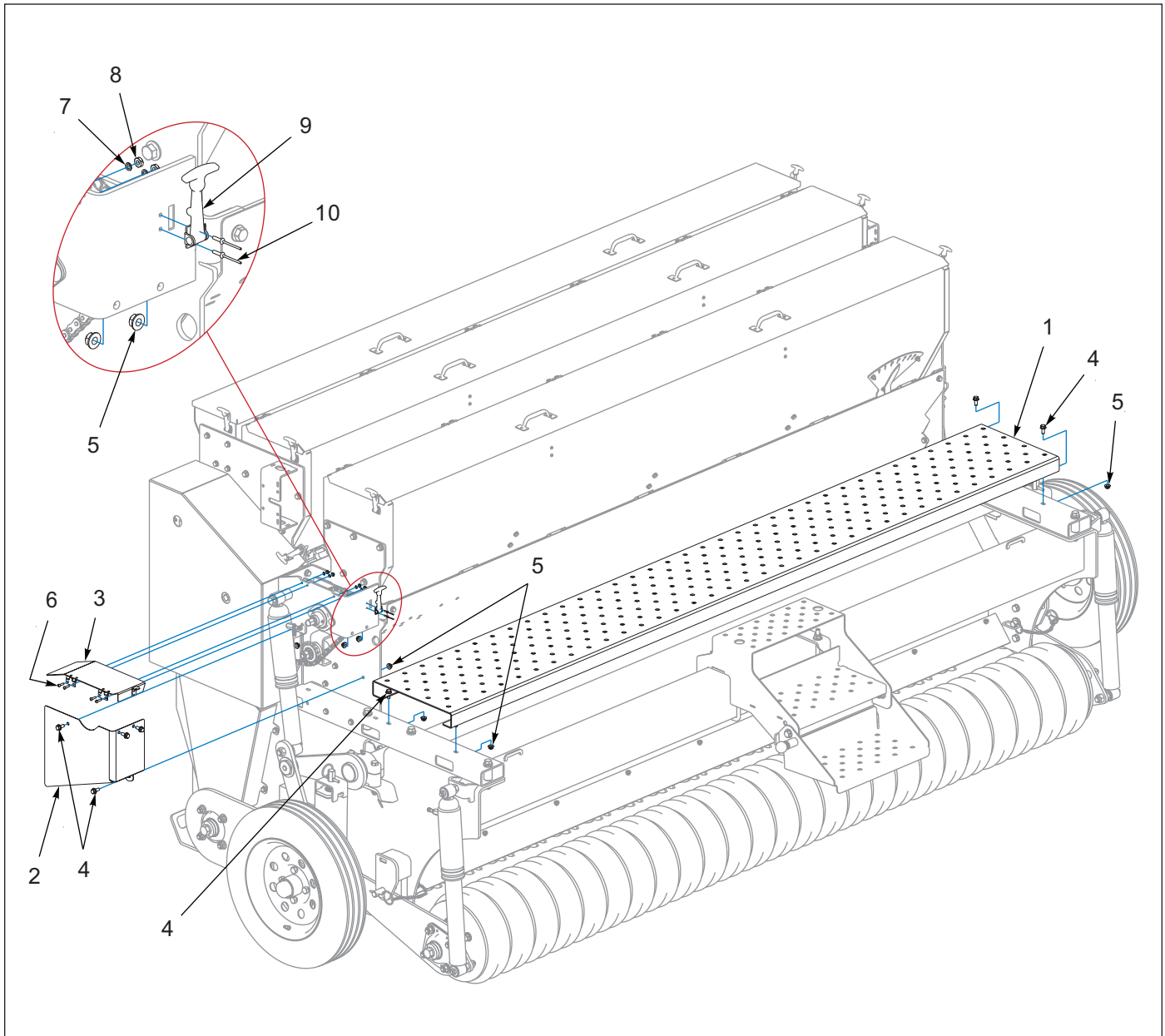


Figure 1-37: Agitator Box Shield and Walk Plank

Agitator Box Shield and Walk Plank

ITEM	PART NUMBER	DESCRIPTION	QTY
1	229154	WALK PLANK	1
2	229357	SHIELD, TRANSMISSION LOWER	1
3	229359	SHIELD, TRANSMISSION TOP WLDMT	1
4	144268	SCREW 5/16-18UNCX3/4FLG HD ZP	8
5	1-510-010004-03	NUT HX FLANGE, 5/16-18 GR8	8
6	1-656-010003051	SCREW,RH HD MACH 10-24X3/4	4
7	1-861-010034-07	WASHER,LKG,HLCL SPR, NO 10	4
8	1-512-010007-03	NUT, HEX 10-24 GR2 ZP	4
9	191376	LATCH,3" RUBBER	1
10	51365-4	RIVET BLIND DOME AL 1/8X.515	2

Hydraulic Layout

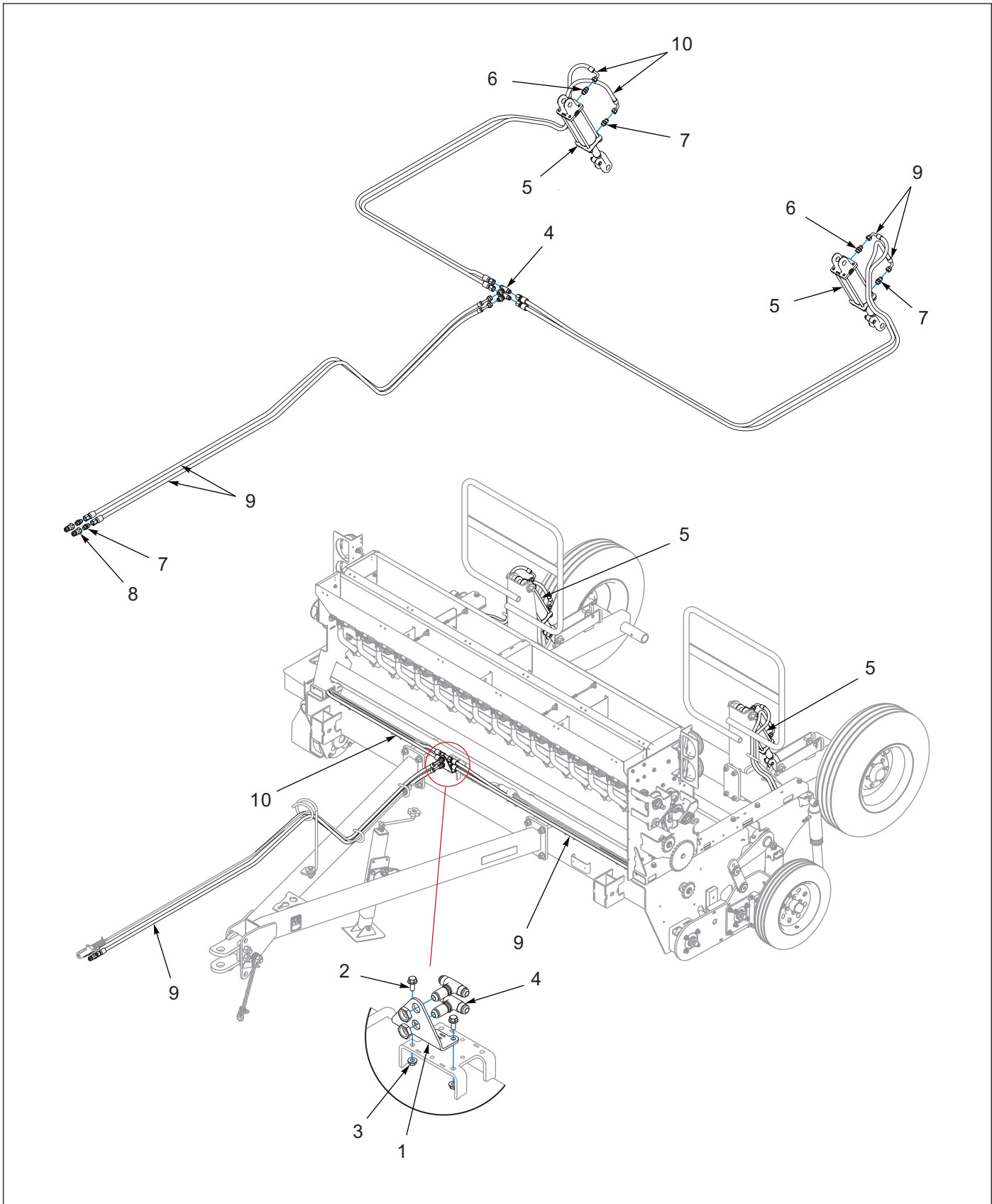


Figure 1-38: Hydraulic Layout

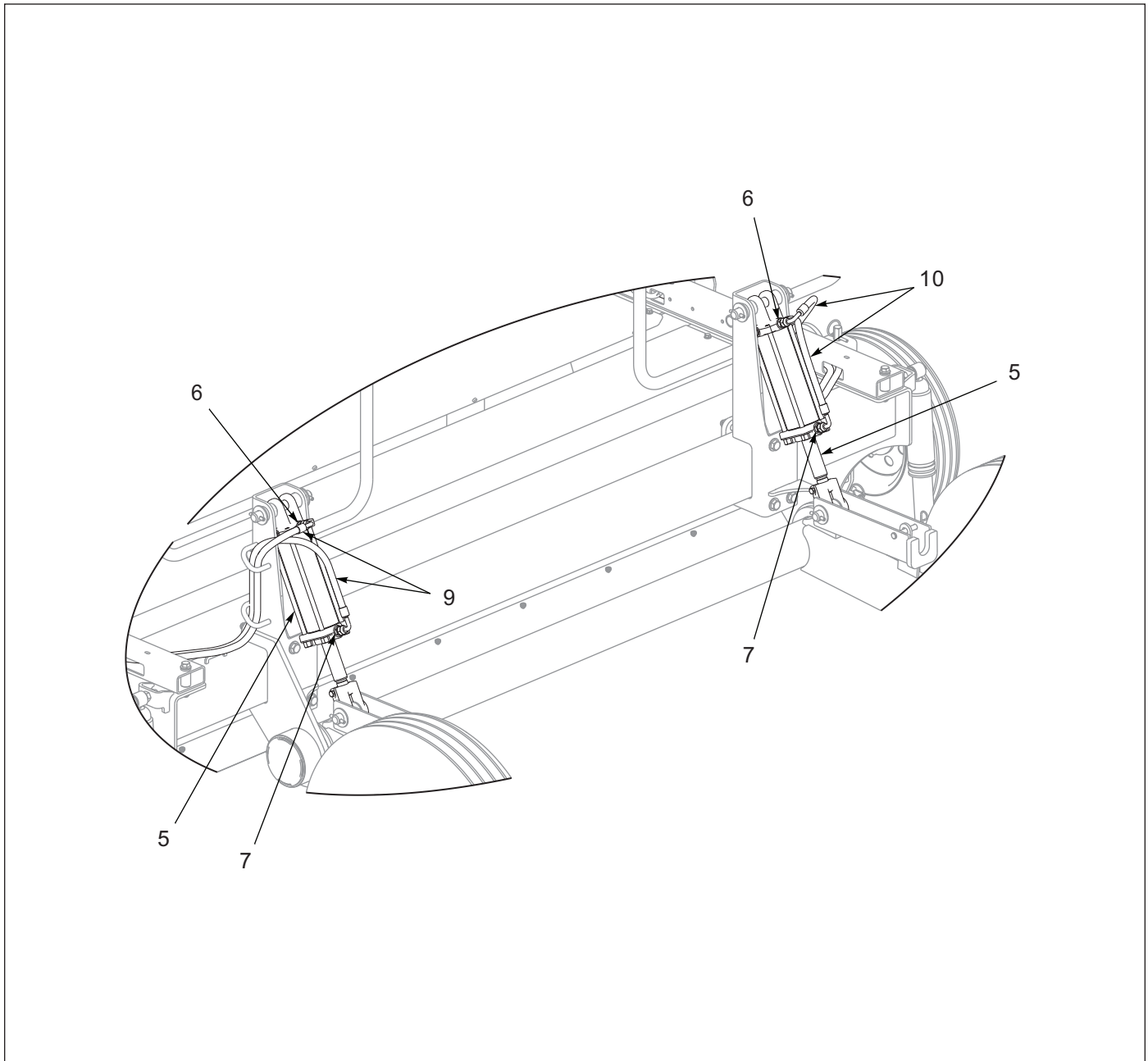


Figure 1-39: Hydraulic Layout Rear View

Hydraulic Layout

ITEM	PART NUMBER	DESCRIPTION	QTY
1	226830	BRACKET, BULKHEAD	1
2	144268	SCREW 5/16-18UNCX3/4FLG HD ZP	2
3	1-510-010004-03	NUT HX FLANGE, 5/16-18 GR8	2
4	221953	BULKHEAD TEE, #8 JIC (8MJ)	2
5	5J280	HYD CYLINDER - 3 X 8 (SEE PAGE 1-69)	2
6	4K607	RESTRICTOR 3/4-16 (.078)	2
7	202702-8-8S	ADAPTER #8 O-RING TO #8 TUBE (8MJ x 8MOR)	4
8	141828	COUPLER,MALE 3/4-16 O-RING	2
9	122862	HOSE ASSY 3/8X135 #8STR-#8-90 (8FJS x 8FJS90)	4
10	123080	HOSE ASSY 3/8X118 #8STR-#8-90 (8FJS x 8FJS90)	2

Electric Layout

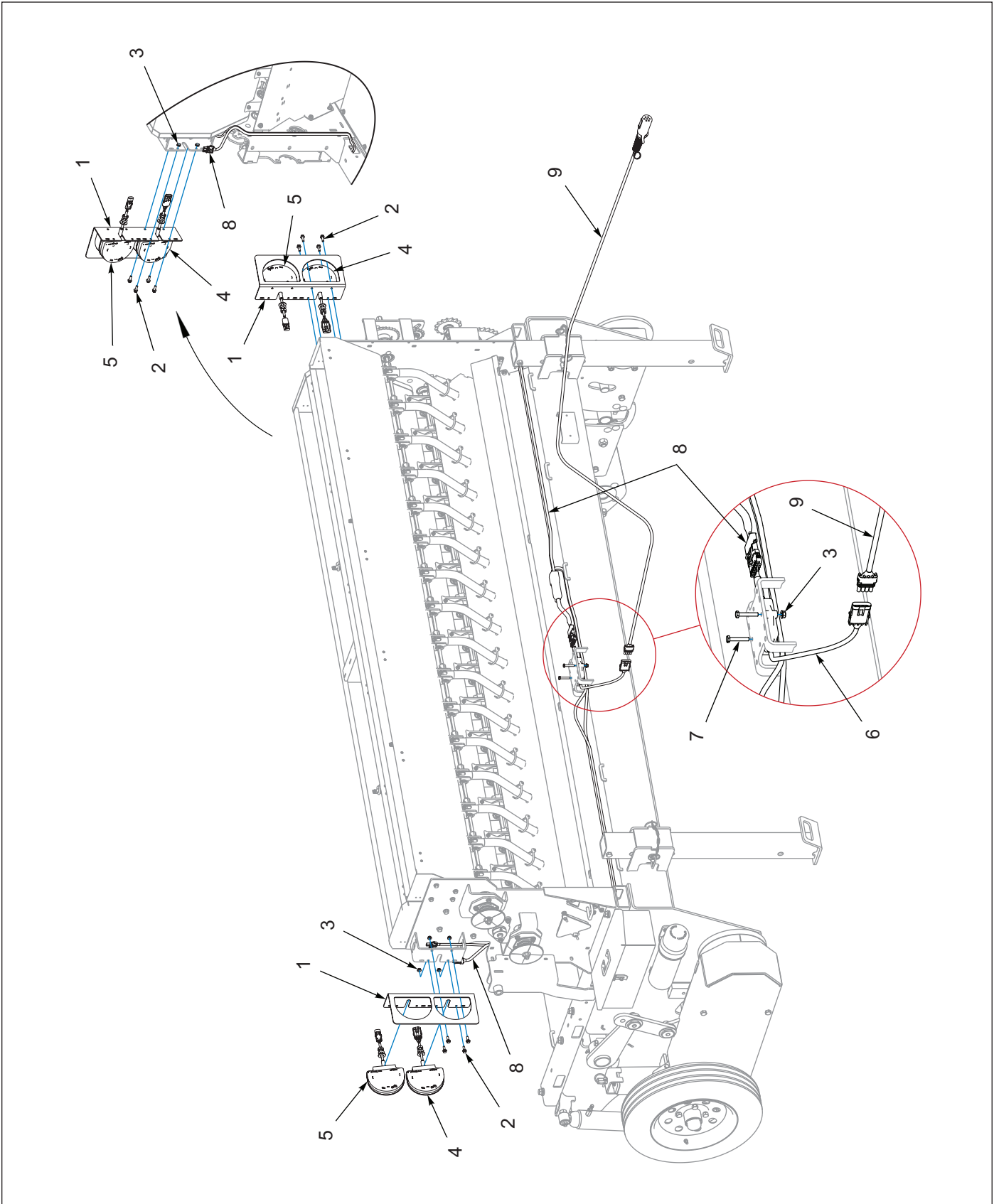


Figure 1-40: Electric Layout

Electric Layout

ITEM	PART NUMBER	DESCRIPTION	QTY
1	229153	LIGHT BRACKET	2
2	9K228	FHHCS 1/4-20X3/4 GR5 BLKPLT	8
3	108417	NUT SPIRAL 1/4-20HX FG	10
4	218262	RED LAMP, PEDASTAL MNT	2
5	218261	AMBER LAMP, PEDASTAL MNT	2
6	174437	MODULE, AG FLASHER CONTROL	1
7	1-654-010047-08	SCREW HX CP,1/4-20UNCX1-1/2G5	2
8	175151	HARNESS, LED WARNING LIGHTS	1
9	178515	HARNESS, 7 PIN/4 PIN WP, 15' (DRAWBAR)	1
9	178514	HARNESS,7 PIN/4PIN WP, 10' (3-PT HITCH)	1

Acre Meter - Optional

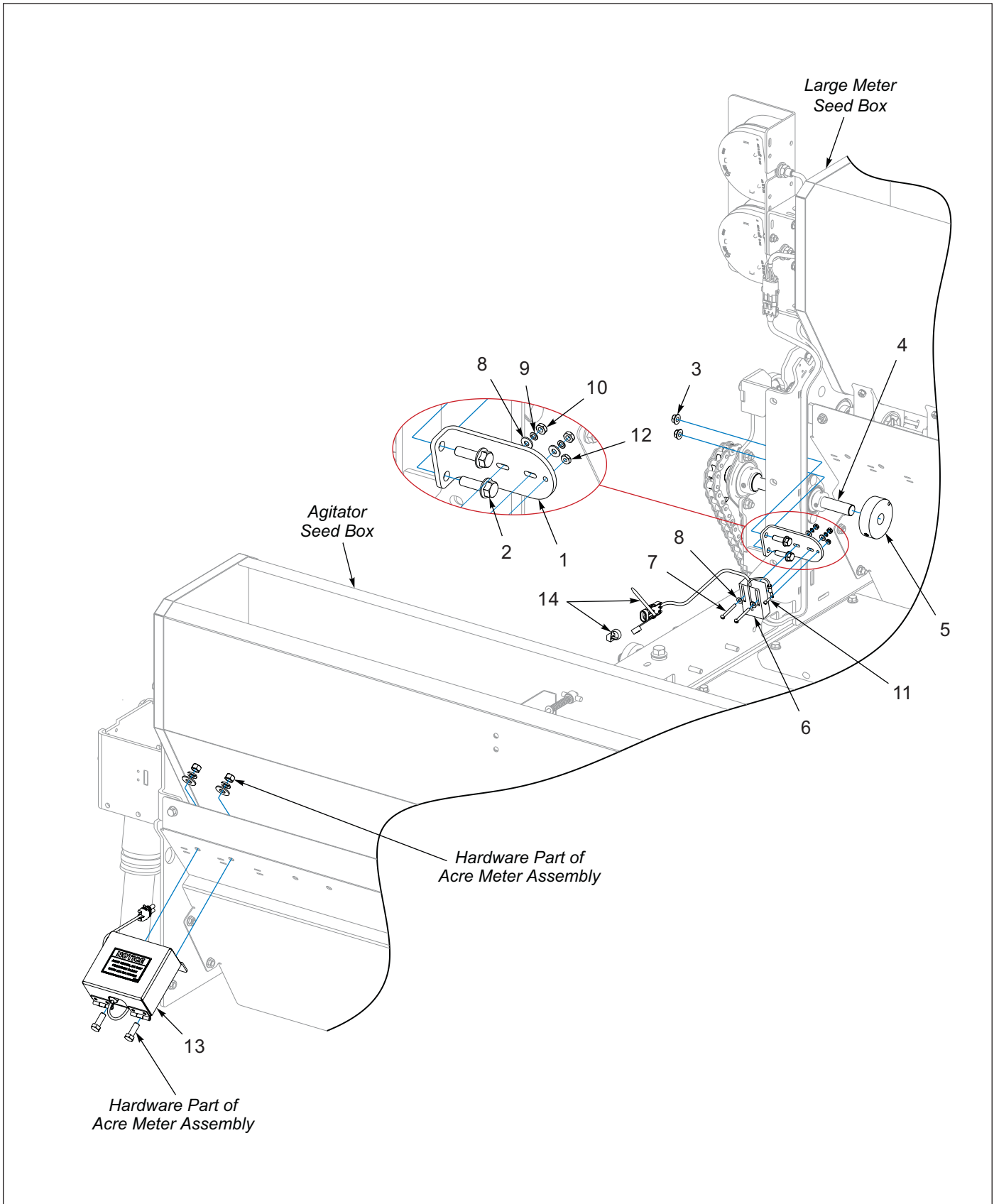


Figure 1-41: Acre Meter - with Agitator Seed Box

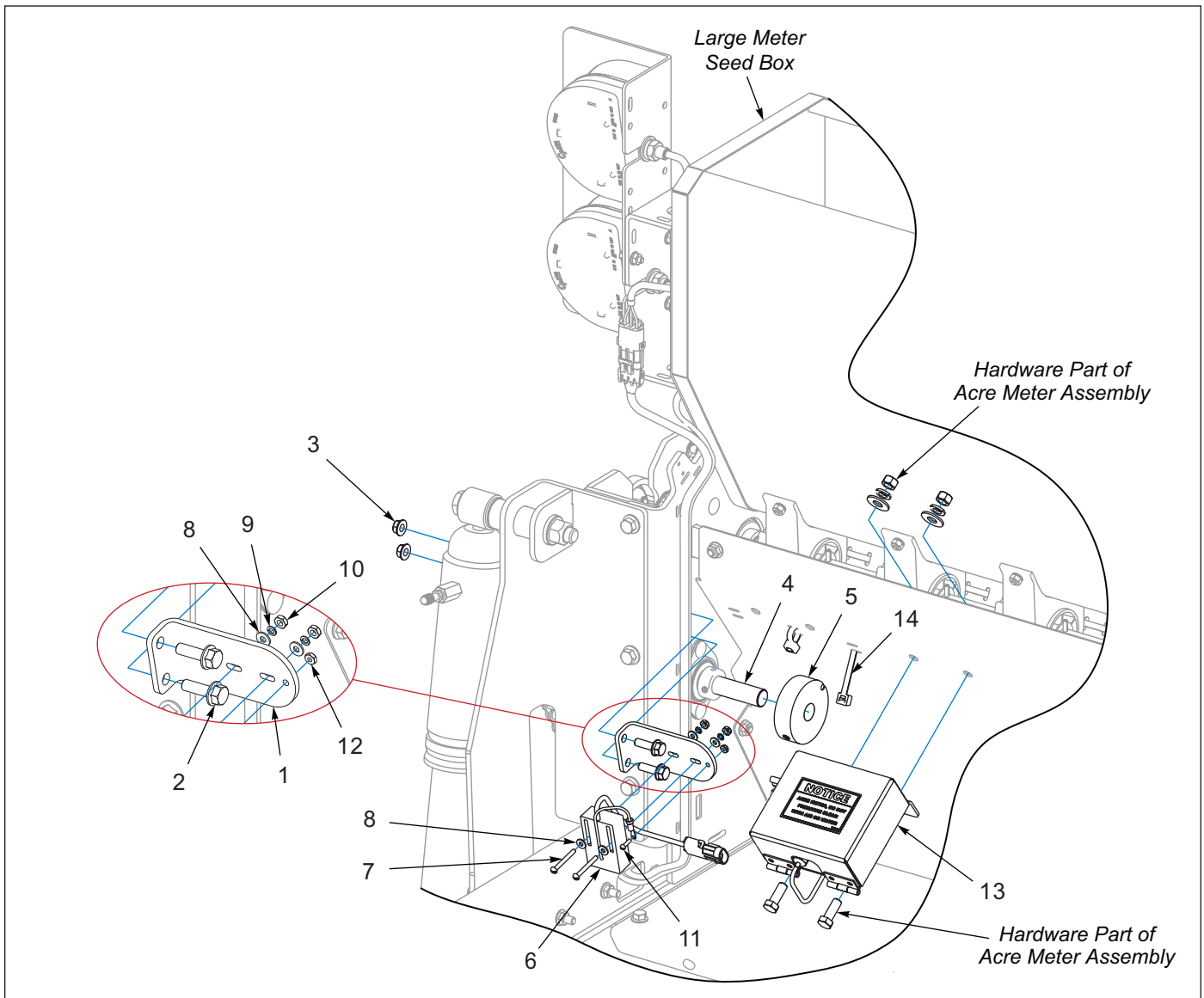


Figure 1-42: Acre Meter - w/o Agitator Seed Box

Acre Meter - Optional

ITEM	PART NUMBER	DESCRIPTION	QTY
1	3P153	ANGLE, ACRE METER	1
2	226769	SCREW,FLG HD 5/16-18X1,GR5,ZP	2
3	1-510-010004-03	NUT HX FLANGE, 5/16-18 GR8	2
4	229330	JACKSHAFT, 15T SPROCKET WLDMT	1
5	5K277	MAGNET WHEEL ASSY	1
6	153862	SWITCH ASSY, ELECTRONIC ACRE	1
7	1-656-010003034	SCREW, 8-32X1-1/2 RD HD MACH	2
8	1-861-010032-02	WASHER,FL #8 ZP/CD	4
9	118-5098	#8 LOCK WASHER ZP	2
10	1-512-010007-02	NUT, HEX 8-32 GR2 ZP	2
11	1-654-010024006	SCREW,MACH,SLOT FILL,6-32X1/2	1
12	12D6E	NUT HEX HD #6-32	1
13	5K310	ACRE METER ASSEMBLY (SEE PAGE 1-66)	1
14	105-0228	TYWRAP 8IN LG TY-5272MX	6

ILLUSTRATED PARTS LIST

Acre Meter Assembly - Optional

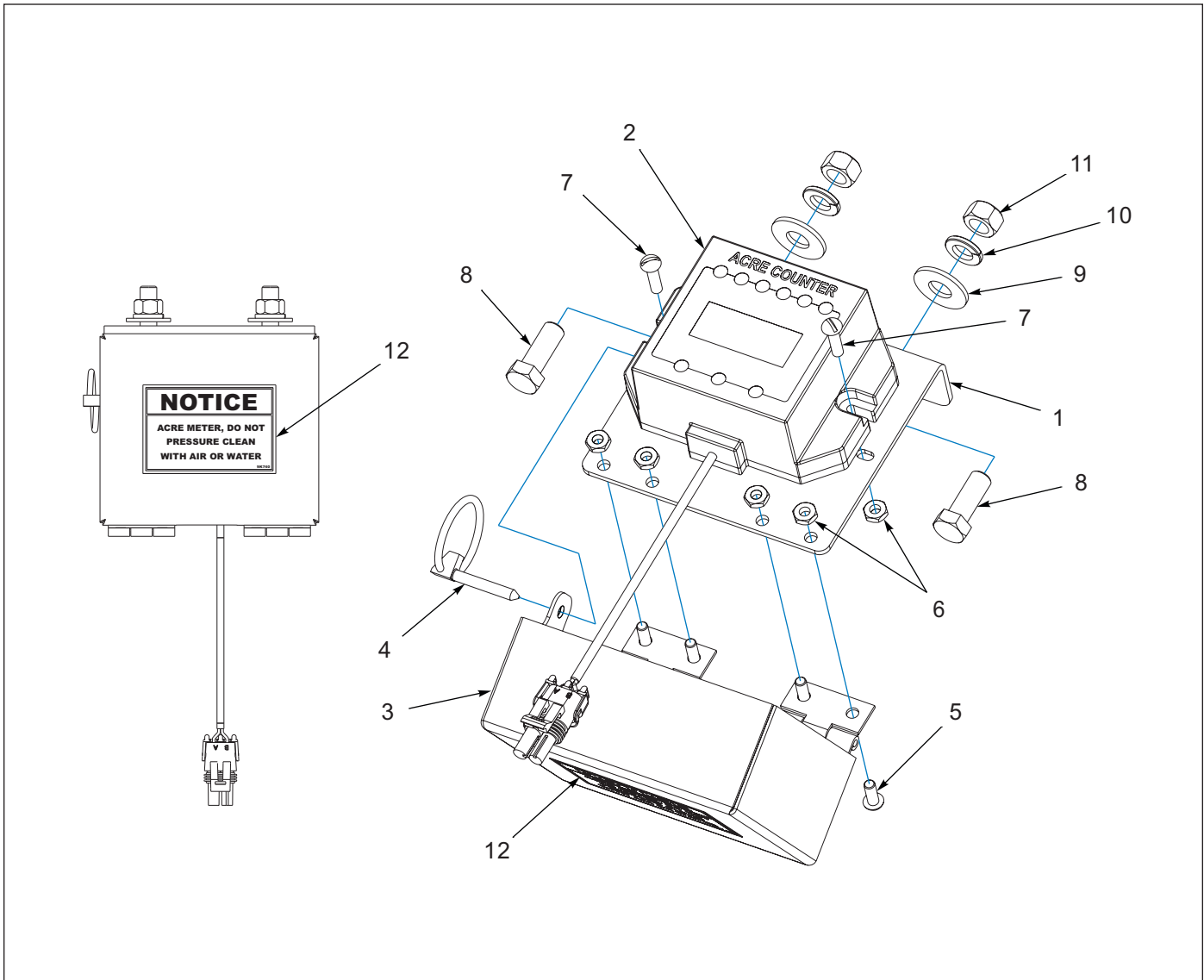


Figure 1-43: Acre Meter Assembly - Optional

Acre Meter Assembly - Optional

ITEM	PART NUMBER	DESCRIPTION	QTY
	5K310	ACRE METER ASSEMBLY (INCLUDES ITEMS 1-13)	1
1	170943	MOUNT-ACRE METER	1
2	170948	CONSOLE, ELECTRONIC ACRE	1
3	170946	COVER-ACRE METER, WELDMENT	1
4	5D129	KLIK-PIN	1
5	1C213	STOVE BOLT #10-24X1/2 RD HD ZP	4
6	1-512-010007-03	NUT, HEX 10-24 GR2 ZP	6
7	1-656-010003051	SCREW,RH HD MACH 10-24X3/4	2
8	1-654-010051-05	SCREW,HEX CAP 3/8-16UNCX1 GR5	2
9	1-861-010032-11	WASHER, FLAT 3/8 W ZP/CD	2
10	1-861-010034-11	WASHER, LKG HLCL SPR, 3/8	2
11	1-512-010007-07	NUT, HEX 3/8-16 GR2 ZP	2
12	9K740	DECAL, ACRE METER	1

Dual Wheel Kit - Optional

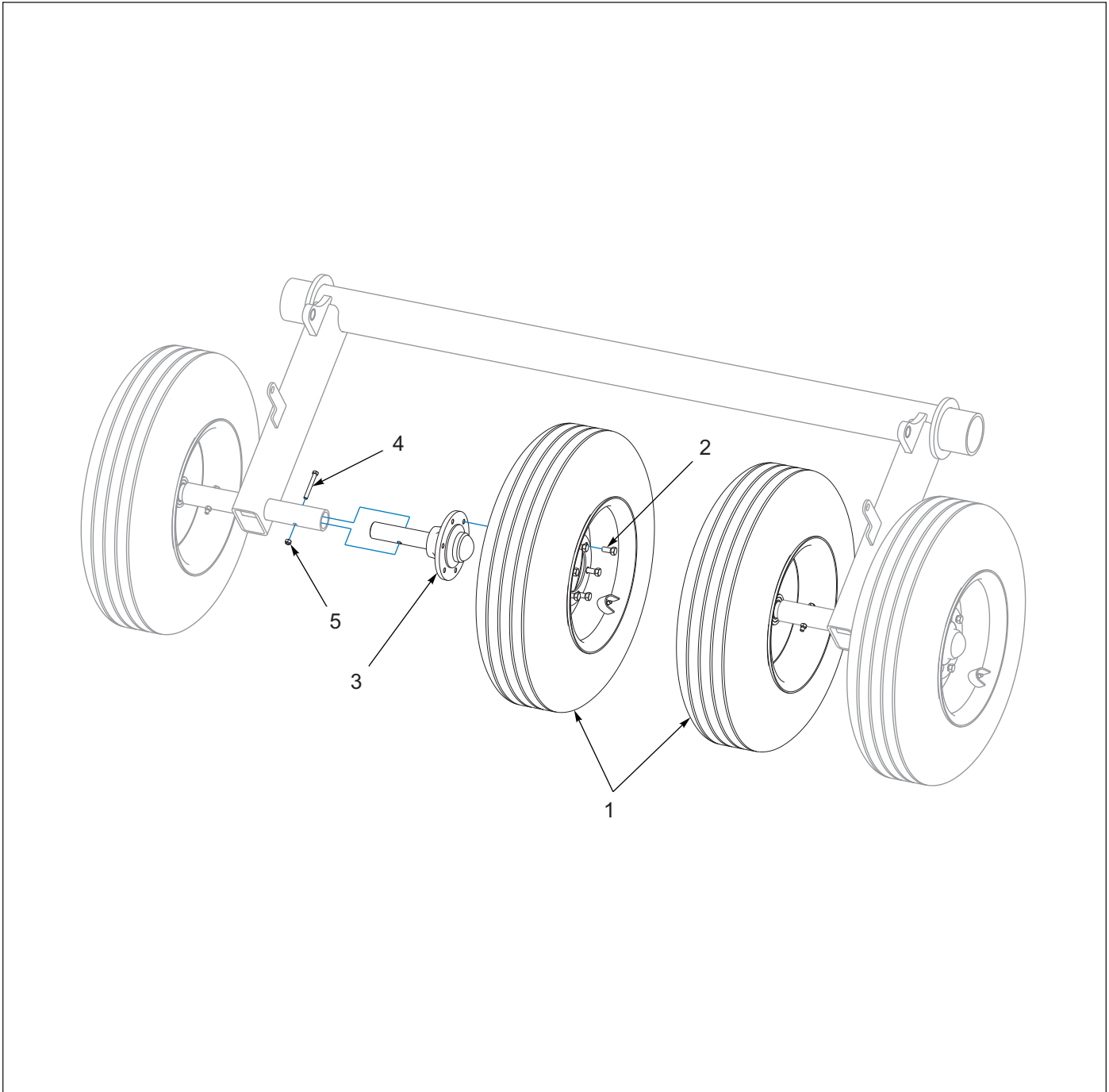


Figure 1-44: Dual Wheel Kit - Optional

Dual Wheel Kit - Optional

ITEM	PART NUMBER	DESCRIPTION	QTY
	168346	KIT, DUAL WHEELS	1
1	6K919	WHEEL 8J790/NO TUBE/6D312 (SEE PAGE 1-9)	2
2	5C100	WHEEL BOLT 1/2-20X1 GR5 ZP	12
3	6J766	HUB & SPINDLE ASM (SEE PAGE 1-8)	2
4	1-654-010051-13	SCREW,HX CP,3/8-16UNCX3,GR5	2
5	1-512-010005-05	NUT, HEX, SLFLKG GRB 3/8-16	2

Hydraulic Cylinder, 3 x 8 - Prince

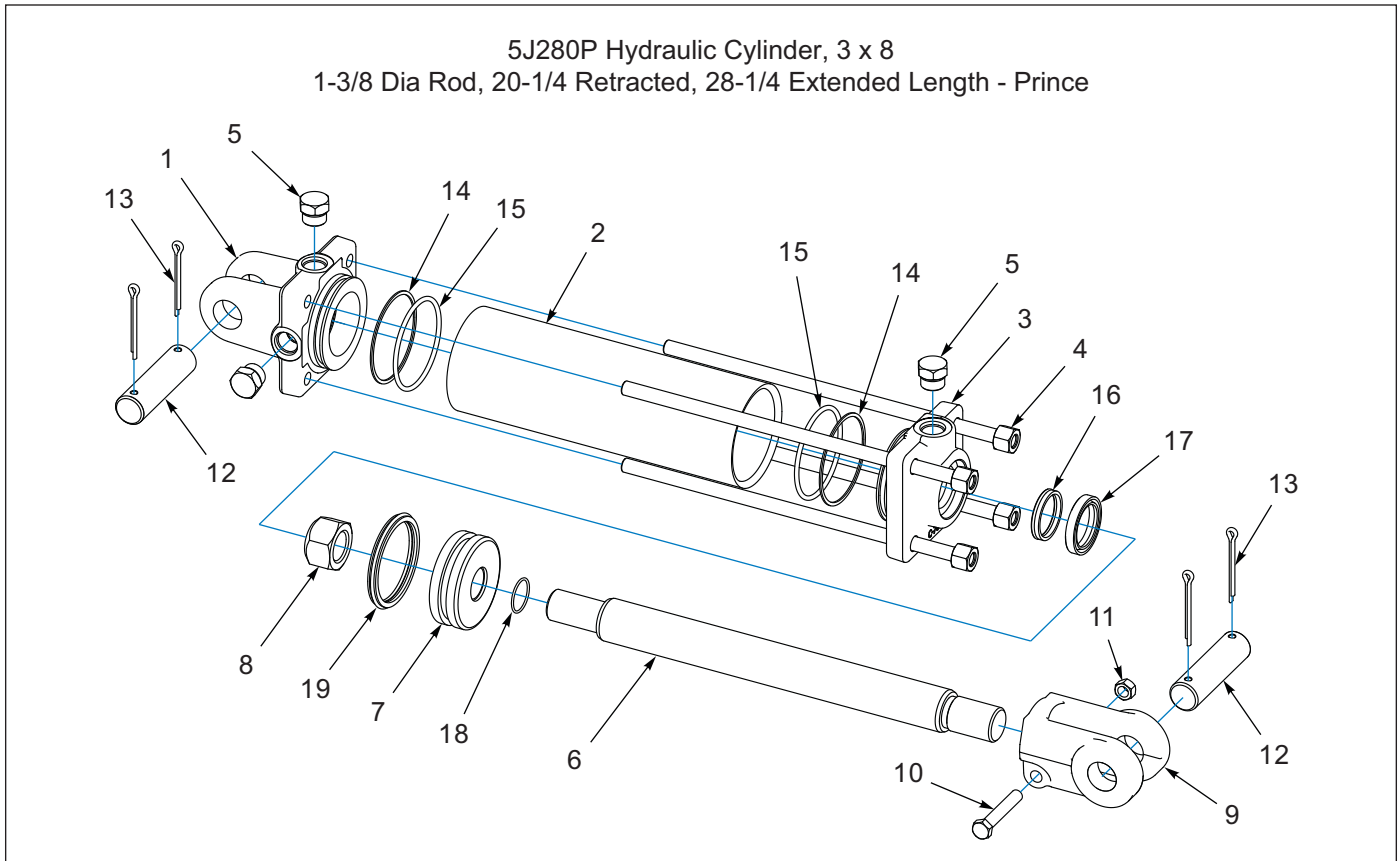


Figure 1-45: Hydraulic Cylinder, 3 x 8 - Prince

Hydraulic Cylinder, 3 x 8 - Prince

ITEM	PART NUMBER	DESCRIPTION	QTY
	5J280	HYDRAULIC CYLINDER, 3 X 8	1
1	-----	BASE CLEVIS	1
2	-----	TUBE	1
3	-----	ROD CAP	1
4	-----	TIE ROD ASSEMBLY	1
5	1-007-010025	PLUG, 3/4-16 O-RING BOSS	1
6	-----	PISTON ROD	1
7	7K930	PISTON	1
8	-----	PISTON NUT	1
9	9D481	ROD CLEVIS (INCLUDES ITEMS 10 AND 11)	1
10	1-654-010051-10	SCREW, HX CP 3/8-16 X 2-1/4 GR5	1
11	1-512-010005-05	NUT, HEX SLFLKG GRB 3/8-16	2
12	5J650	PIN, 1.0 X 3.625 H2	2
13	110-4224	PIN,COTTER 3/16 X 2IN LG	1
14	-----	B/U WASHER	2
15	-----	O-RING	2
16	-----	U-CUP	1
17	-----	ROD WIPER	1
18	-----	PISTON O-RING	1
19	-----	PISTON SEAL	1
20	7K926	PMCK-BD-0565 SEAL KIT (INCLUDES ITEMS 14-19)	1

ILLUSTRATED PARTS LIST

Decals



ITEM 1 - 193500

ITEM 2 - 3P157



ITEM 3 - 528934



ITEM 4 - 528933



ITEM 5 - 528938



ITEM 6 - 9K740



ITEM 7 - 2K123



ITEM 8
4000335



ITEM 13
144193



ITEM 9
224589



ITEM 14
3P078

MICRO-METER CALIBRATION

MACHINE MAY BE CALIBRATED FOR UNLISTED SEED AS FOLLOWS:

- SEED SHAFT TURNS 258 REVOLUTIONS PER ACRE SEEDED.
- RAISE MACHINE AND LOCK IN TRANSPORT POSITION.
- PLACE CALIBRATION TRAY IN COLLECTION POSITION TO CATCH SEED.
- REMOVE MICRO-METER DRIVE PIN.
- TURN TRANSMISSION MICRO-METER SHAFT CALIBRATION HEX 258 REVOLUTIONS CLOCKWISE (CW) WITH PROVIDED CRANK. 43 TURNS MAY BE USED IF RESULTS ARE ADJUSTED AS INDICATED IN STEP 6.
- WEIGH SEED FOR APPROXIMATE PLANTING RATE IN LBS/ACRE. MULTIPLY WEIGHT BY 6 IF ONLY 43 TURNS WERE USED.
- INSTALL MICRO-METER DRIVE PIN.
- PLACE CALIBRATION TRAY BACK IN STORAGE POSITION.

PLANTING RATES FOR BPS8 MICRO-METER BOX IN POUNDS PER ACRE

RATES ARE INTENDED AS A GUIDE ONLY. VARIATIONS IN SIZE AND CLEANNESSE WILL AFFECT RATES. CHECK ACREAGE AND POUNDS OF SEED USED FOR BEST RESULTS.

INDICATOR SETTINGS	1A	2A	3A	4A	5A	6A	7A	8A
ALFALFA	4	7	14	20	24	32	35	41
ALFALFA (COATED)	4	9	14	19	26	32	37	43
BROSFOT TREFOL	4	9	15	21	28	35	42	48
CANARY REED	1	4	6	8	10	13	15	21
COB/REED	4	8	13	19	25	31	36	42
CLOVER ALSIKE	4	8	13	18	23	28	34	39
CLOVER DIKE CRIMSON (LXCOATED)	4	10	17	24	31	38	45	53
CLOVER MEDIUM RED	4	9	14	18	23	29	32	36
CLOVER SUBVIVACE LADINO	3	8	14	20	25	31	36	42
FESCUE STY43 SOFT LEAF TALL	0	2	4	7	10	11	14	16
FESTULUM	1	3	6	10	13	16	20	22
LETTUCE	3	59	88	124	Settings Not Recommended			
MILLET	3	7	12	18	22	25	35	39
RAPE	4	8	14	21	25	25	33	39
RYEGRASS ANNUAL	0	2	4	7	9	12	13	16
RYEGRASS ITALIAN	1	4	7	11	14	18	22	25
SCORPION SUDAN	0	9	17	24	31	38	45	51
SUGAR BEETS	0	9	16	22	28	33	40	42
SWITCHGRASS (CLEANED AND HULLED)	0	14	23	33	42	55	66	80
TEFF TIFFANY (COATED)	4	10	14	21	26	32	39	45
TEFF TIFFANY (UNCOATED)	4	8	12	18	24	30	37	44
TLJAGE RADISH	*	9	14	20	25	31	36	42
TWOOTH CLIMAX	3	7	12	19	25	31	37	41
TURNIPS	3	5	15	21	27	33	39	45

Note: * Some cracked seeds were observed at this setting

ITEM 10 - 24290

LARGE METER CALIBRATION

MACHINE MAY BE CALIBRATED FOR UNLISTED SEED AS FOLLOWS:

- SEED SHAFT TURNS 337 REVOLUTIONS PER ACRE SEEDED IN LOW RANGE. SEED SHAFT TURNS 517 REVOLUTIONS PER ACRE SEEDED IN HIGH RANGE.
- RAISE MACHINE AND LOCK IN TRANSPORT POSITION TO CATCH SEED.
- PLACE CALIBRATION TRAY IN COLLECTION POSITION TO CATCH SEED.
- REMOVE LARGE METER DRIVE PIN.
- TURN TRANSMISSION LARGE METER SHAFT CALIBRATION HEX 337 REVOLUTIONS CLOCKWISE (CW) FOR LOW RANGE OR 517 REVOLUTIONS CLOCKWISE (CW) FOR HIGH RANGE. WITH PROVIDED CRANK. IN LOW RANGE OR IN HIGH RANGE TURNS MAY BE USED IF RESULTS ARE ADJUSTED AS INDICATED IN STEP 6.
- WEIGH SEED FOR APPROXIMATE PLANTING RATE IN LBS/ACRE. MULTIPLY WEIGHT BY 6 IF ONLY 337 LOW RANGE OR 517 HIGH RANGE TURNS WERE USED.
- INSTALL LARGE METER DRIVE PIN.
- PLACE CALIBRATION TRAY BACK IN STORAGE POSITION.

PLANTING RATES FOR BPS8 LARGE METER BOX IN POUNDS PER ACRE

RATES ARE INTENDED AS A GUIDE ONLY. VARIATIONS IN SIZE AND CLEANNESSE WILL AFFECT RATES. CHECK ACREAGE AND POUNDS OF SEED USED FOR BEST RESULTS.

INDICATOR SETTINGS	NOTES	RANGE	1A	2A	3A	4A	5A	6A	7A	8A
BARLEY	(1)	LOW	1	31	70	113	155	197	234	282
BERNARD GRASS		HIGH	4	46	107	154	202	250	298	423
BENTON GRASS		LOW	13	20	47	72	100	131	165	220
BRASSICA (COATED)		HIGH	21	45	79	122	165	208	251	345
BLUEGRASS KENTUCKY		LOW	6	16	27	47	75	103	132	172
		HIGH	9	24	41	72	111	150	189	258
BROODWART	(1)	LOW	1	33	68	105	140	180	222	275
		HIGH	1	51	104	155	202	250	301	423
CHOCOV, FORAGE (COATED)		LOW	6	31	55	89	129	163	210	247
		HIGH	9	46	85	129	180	232	278	378
CORN (HYBRID)	(1)	LOW	1	69	130	171	210	249	304	344
		HIGH	1	104	202	282	362	442	522	602
FESCUE TALL		LOW	10	16	28	45	62	80	104	135
		HIGH	15	26	48	75	102	129	164	206
OATS	(1)	LOW	1	23	51	89	129	169	211	252
		HIGH	1	35	78	129	180	231	282	345
RYE GRASS		LOW	6	26	70	120	164	207	251	297
		HIGH	9	29	81	129	180	231	282	345
RYEGRASS ANNUAL		LOW	6	17	38	66	96	124	157	197
		HIGH	9	26	55	95	135	180	225	275
RYEGRASS ITALIAN		LOW	5	26	59	81	113	141	181	212
		HIGH	6	26	78	124	171	222	271	327
RYEGRASS PERENNIAL		LOW	6	23	47	78	111	144	175	208
		HIGH	10	30	71	117	170	221	280	338

Note: (1) Low germination may occur due to shallow seeding depth for this seed. Indicates unlisted item or some cracked seeds were observed at this setting.

ITEM 11 - 24291

AGITATOR CALIBRATION

MACHINE MAY BE CALIBRATED FOR UNLISTED SEED AS FOLLOWS:

- AGITATOR SHAFT TURNS 456 REVOLUTIONS PER ACRE SEEDED.
- RAISE MACHINE AND LOCK IN TRANSPORT POSITION.
- PLACE CALIBRATION TRAY IN COLLECTION POSITION TO CATCH SEED FROM AGITATOR BOX.
- REMOVE AGITATOR DRIVE PIN.
- TURN TRANSMISSION AGITATOR SHAFT CALIBRATION HEX 456 REVOLUTIONS CLOCKWISE (CW) WITH PROVIDED CRANK. 76 TURNS MAY BE USED IF RESULTS ARE ADJUSTED AS INDICATED IN STEP 6.
- WEIGH SEED FOR APPROXIMATE PLANTING RATE IN LBS/ACRE. MULTIPLY WEIGHT BY 8 IF ONLY 76 TURNS WERE USED.
- INSTALL AGITATOR DRIVE PIN.
- PLACE CALIBRATION TRAY BACK IN STORAGE POSITION.

PLANTING RATES FOR BPS8 AGITATOR BOX IN POUNDS PER ACRE

RATES ARE INTENDED AS A GUIDE ONLY. VARIATIONS IN SIZE AND CLEANNESSE WILL AFFECT RATES. CHECK ACREAGE AND POUNDS OF SEED USED FOR BEST RESULTS.

INDICATOR SETTINGS	AGITATOR	1	2	3	4	5	6
BENTON GRASS, L-83 CREEPING	BLADE	27	84	166	248	339	461
BLUEGRASS, SHERMAN BIG	BLADE	4	22	57	92	146	198
BLUEGRASS, KENTUCKY - ODYSSEY	BLADE	14	60	114	172	257	364
BLUESTEM PANHANDLE BIG (W/O BEARDS)	BLADE	1	3	5	8	12	18
BLUESTEM WW-B, DAN-L (W/O BEARDS)	BLADE	1	5	13	26	44	69
BLUESTEM ITASCA LITTLE (W/O BEARDS)	BLADE	*	1	2	4	7	12
BROME, HEADLOW	BLADE	1	5	8	13	22	36
BROME, BROOMTOP	BLADE	2	6	13	22	38	63
BUFFALO GRASS	BLADE	3	16	49	83	124	167
BUFFEL GRASS	BLADE	0	1	1	3	4	5
GRAVA, SIDE OATS	BLADE	3	10	25	50	97	148
INDIAN GRASS	BLADE	9	40	86	161	233	319
FESCUE TALL	BLADE	9	40	86	161	233	319
FESTULUM	BLADE	12	33	77	113	211	286
ORCHARD GRASS (UNHULLED)	BLADE	1	3	7	12	19	29
ORCHARD GRASS (HULLED)	BLADE	1	3	5	8	10	14
RYEGRASS	BLADE	3	12	29	57	99	159
RYEGRASS ITALIAN	BLADE	20	55	110	169	257	347
RYEGRASS ANNUAL	BLADE	17	48	100	165	245	404
WHEATGRASS, INTERMEDIATE	BLADE	3	10	23	39	68	101

Note: * Some cracked seeds were observed at this setting

ITEM 12 - 24292

Figure 1-46: Decals (1 of 2)



Figure 1-47: Decals (2 of 2)

Decals

ITEM	PART NUMBER	DESCRIPTION	QTY
1	193500	DECAL,BRILLION 2-3/4 HT	2
2	3P157	DECAL, TILL 'N SEED	2
3	528934	REFLECTOR - YELLOW	4
4	528933	REFLECTOR - RED	2
5	528938	STRIPE, ORANGE	2
6	9K740	DECAL, ACRE METER	1
7	2K123	DECAL - 'WARNING'	5
8	4000335	DECAL SLOW MOVING 1FP-C	1
9	224589	DECAL, SIS 20 MILE/H	1
10	242490	DECAL,MICRO-METER RATES BPS8	1
11	242491	DECAL,LARGE METER RATES BPS8	1
12	242492	DECAL,AGITATOR RATES BPS8	1
13	144193	DECAL, SIS 20 MPH	1
14	3P078	DECAL, PARKING STAND, BPS6	2
15	8J310	DECAL - CAUTION	1
16	218264	DECAL,PARKING (3-PT ONLY)	1
17	3K706	DECAL-WARNING HYDRAULIC LEAKS (DRAWBAR ONLY)	3
18	232190	DECAL, QR CODE AG SEEDER	1
19	181166	DECAL, TILL 'N SEED PATENT	1
20	2-573-010198	DECAL, MEMBER FEMA	1
21	1-573-010006	PLACARD, NAME	1
22	107-0814	RIVET 1/8X1/8 A LUM POP (HARDWARE FOR ITEM 21)	2

Decal Locations

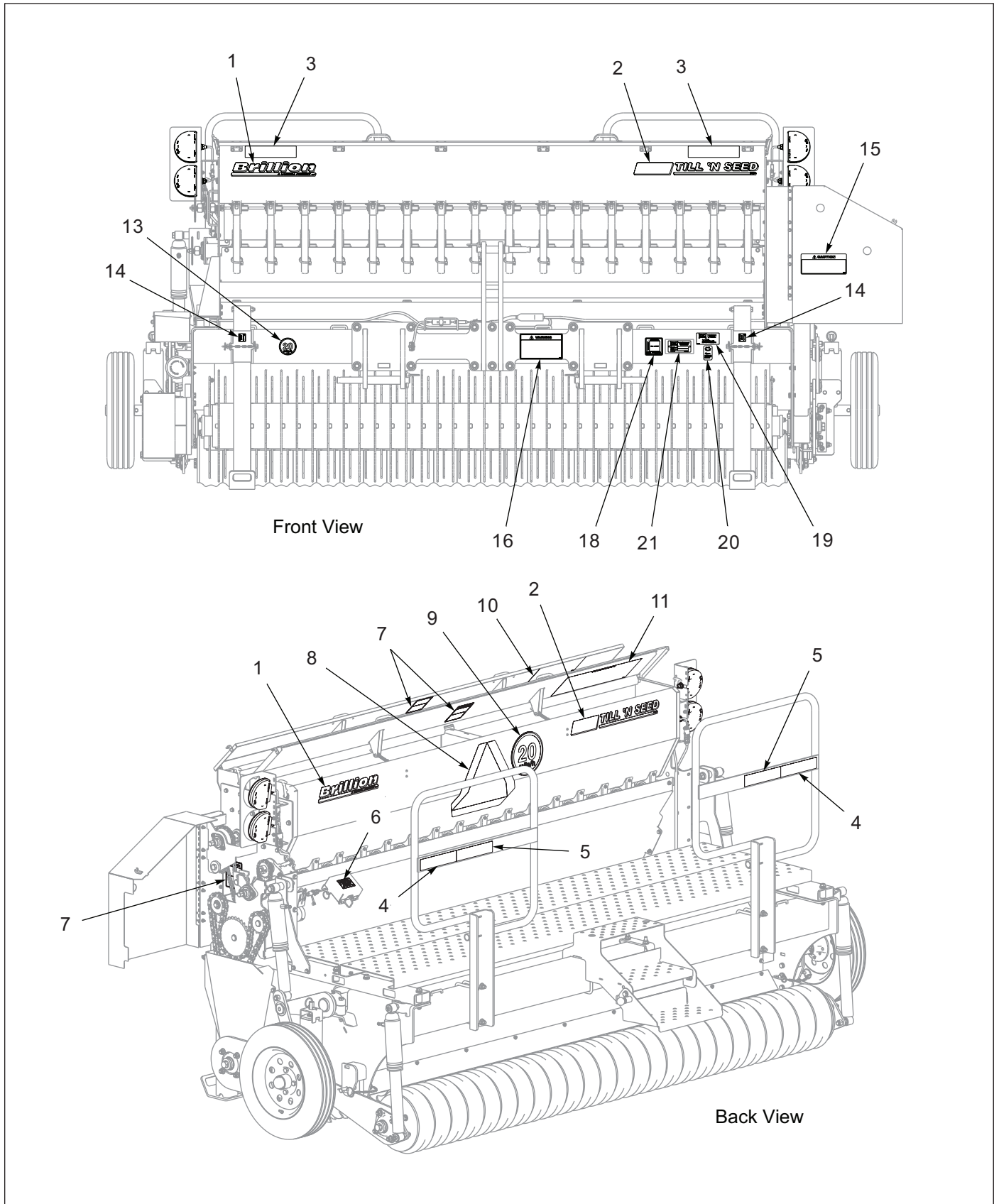


Figure 1-48: 3-PT Standard Seeder Decals

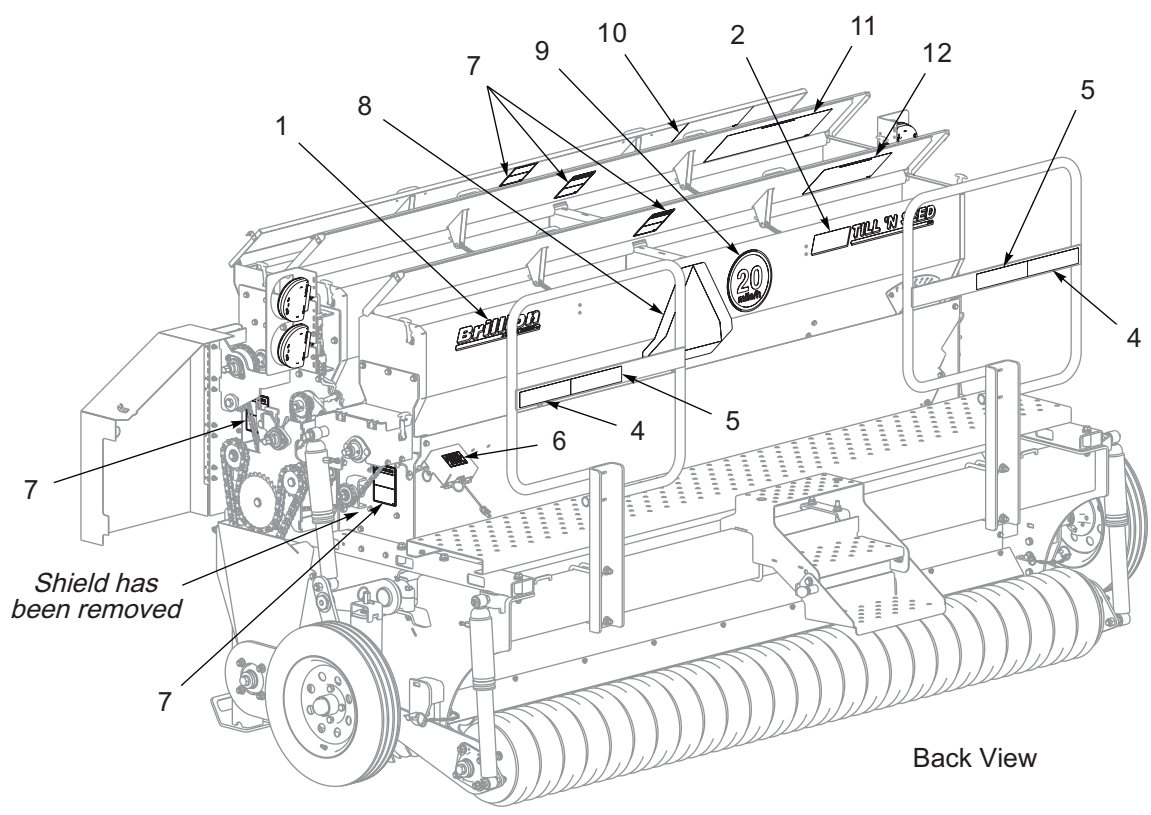
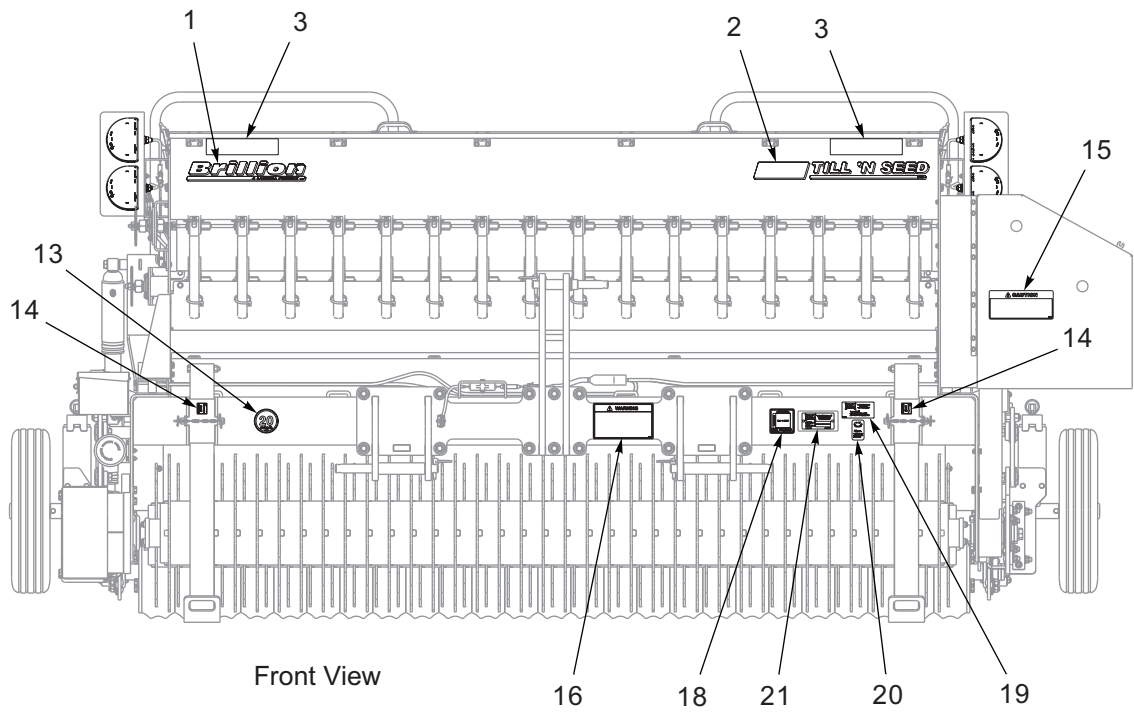


Figure 1-49: 3-PT Seeder with Agitator Box Decals

ILLUSTRATED PARTS LIST

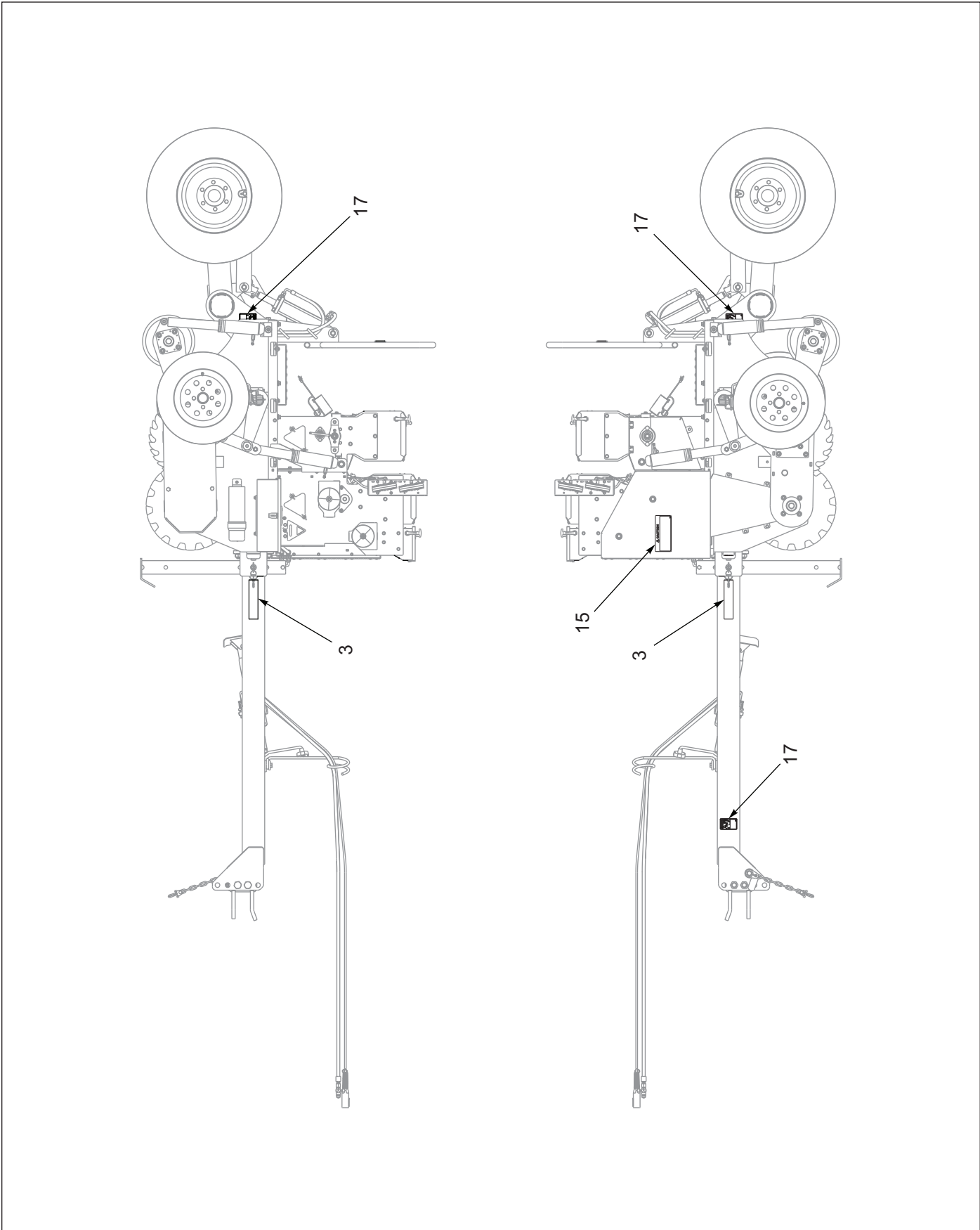


Figure 1-50: Drawbar Seeder Decals

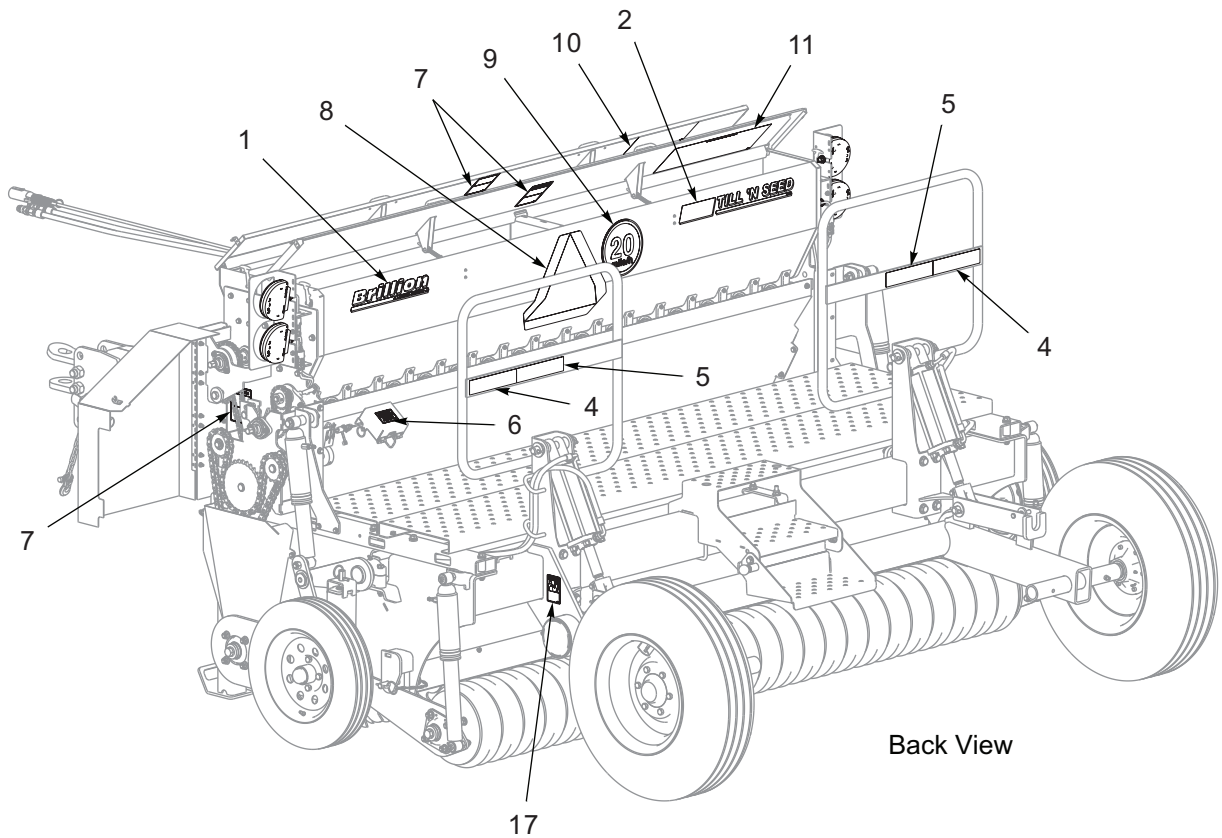
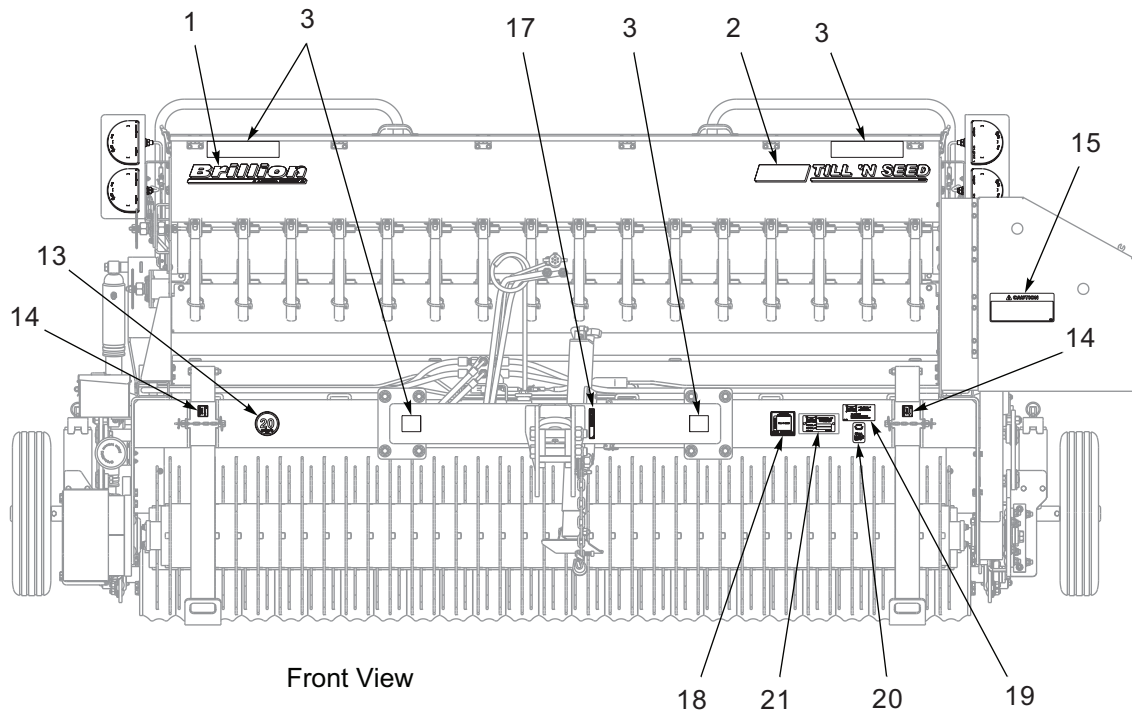


Figure 1-51: Drawbar Standard Seeder Decals

ILLUSTRATED PARTS LIST

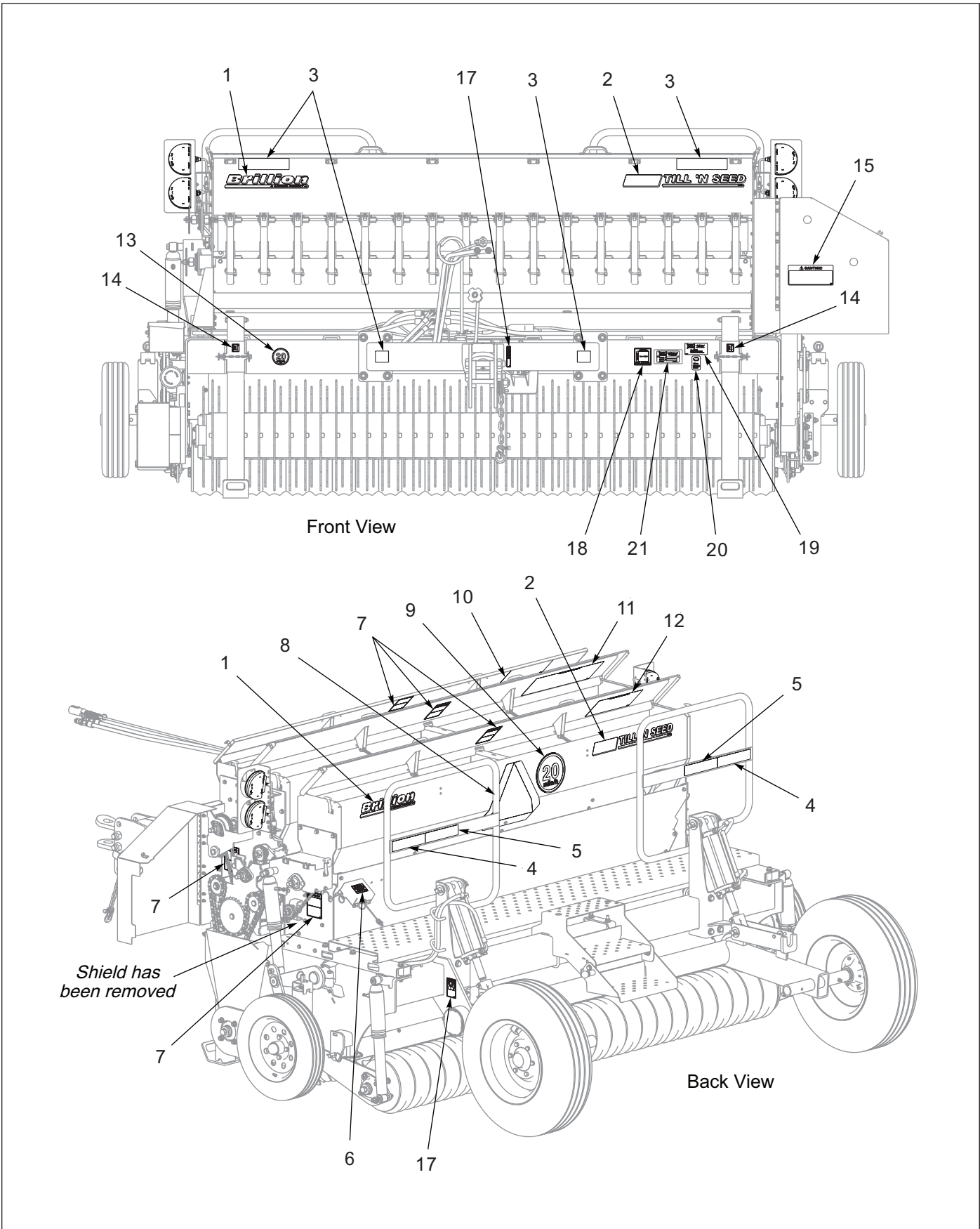


Figure 1-52: Drawbar Seeder with Agitator Box Decals

Glossary

For clarity this glossary of industry standard abbreviations and their definitions are provided. For additional information, see instruction on the first page of the parts chapter or the last page of this manual.

A

ASM Assembly

B

BATT Battery
BHSC Button Head Socket Cap
BLK Black

C

CB Carriage Bolt
CONN Connector
CRG Carriage
CTSK Countersunk
CTWT Counterweight
CVR Cover
CYD Cylinder

D

DBL Double
DIA Diameter

E

ENCLSD Enclosed

F

FHCS Flanged Head Cap Screw
FHHCS Flanged Hex Head Cap Screw
FL OR FLG Flange
FLT Flat

G

GA Gauge

H

HHCS Hex Head Cap Screw
HCS High Carbon Steel
HD Head
HLCL Helical
HCSKT Hex Socket
HSFC Hex Socket Flat Countersunk
HYD Hydraulic

I

ID Inside Diameter

L

LH Lefthand
LKG OR LOCK Locking
LWR Lower

M

MANF Manifold
MNT Mount

N

NRW Narrow
 ----- Not Serviced Separately

O

OD Outside Diameter
OHG Overhead Guard
ORFS OR ORS O-Ring Seal
ORP OR ORB O-Ring Boss

P

P-STEER Power Steering
PTFE Polytetrafluoroethylene (Teflon)

GLOSSARY

R

RH Righthand
RND Round

S

SER Series
SHCS Socket Head Cap Screw
SHLD Shield
SKT Socket
SLFLKG Selflocking
SOC Socket
SPDT Single Pole Double Throw
SPR Spring
SQ Square
SRTD Serrated
SSCR Setscrew
SST Stainless Steel
STD Standard

U

UPR Upper

W

WHL Wheel
WLD OR WLDMT Weldment

Numerics

1-007-010025	1-69	141433	1-5
100829	1-5	141828	1-61
101386	1-39, 1-49	142753	1-52
101510	1-39	143901	1-39, 1-41
104031	1-31, 1-41	144147	1-39
105-0228	1-43, 1-65	144193	1-71
105909	1-39, 1-40	144268	1-11, 1-31, 1-41, 1-43, 1-51, 1-58, 1-59, 1-61
107-0814	1-31, 1-45, 1-58, 1-71	147072	1-7
107470	1-31, 1-39, 1-40, 1-45, 1-49, 1-52, 1-55, 1-57	1-510-010004-03	1-11, 1-25, 1-31, 1-39, 1-40, 1-41, 1-43, 1-45, 1-51, 1-55, 1-57, 1-58, 1-59, 1-61, 1-65
1-076-010007	1-8	1-511-010001-03	1-45
1-076-010010	1-8	1-512-010005-05	1-7, 1-27, 1-67, 1-69
108213	1-33, 1-35	1-512-010005-09	1-5, 1-11, 1-41
108417	1-45, 1-52, 1-58, 1-63	1-512-010005-13	1-7, 1-13, 1-55, 1-57
108841	1-3	1-512-010005-15	1-3, 1-5, 1-13
110-0344	1-28	1-512-010005-19	1-5
110-4216	1-36	1-512-010007-02	1-65
110-4224	1-69	1-512-010007-03	1-33, 1-35, 1-47, 1-59, 1-66
111276	1-39, 1-40, 1-49	1-512-010007-05	1-33, 1-34, 1-35
1-161-010003	1-8	1-512-010007-07	1-17, 1-19, 1-66
117721	1-39, 1-49	1-512-010007-09	1-13, 1-17, 1-19, 1-39
118172	1-28	1-512-010007-11	1-39, 1-45, 1-49
118-5098	1-65	1-512-010007-14	1-41
118636	1-41	1-516-010001-20	1-8
120454	1-49	153862	1-65
122862	1-61	1-557-010362-51	1-8
123080	1-61	155871	1-36
123096	1-7	155873	1-36
125436	1-13, 1-55, 1-57	155874	1-36
125611	1-28	1-573-010006	1-71
126561	1-33	164175	1-7
1-298-010001-1	1-8	1-647-010004177	1-34
12D6E	1-65	1-647-010004217	1-31, 1-39
1408092	1-7	1-647-010004221	1-49
		1-647-010004255	1-27

INDEX

1-654-010024006	1-65	170946	1-66
1-654-010047-03	1-45	170948	1-66
1-654-010047-04	1-11	171738	1-19, 1-25
1-654-010047-08	1-63	172656	1-36
1-654-010049-03	1-43, 1-47	172805	1-34
1-654-010049-05	1-45, 1-47	174437	1-63
1-654-010049-07	1-33	175151	1-63
1-654-010049-19	1-43, 1-55, 1-57	178514	1-63
1-654-01005-06	1-5	178515	1-63
1-654-010051-05	1-66	179346	1-15
1-654-010051-09	1-45	179776	1-52
1-654-010051-10	1-69	181166	1-71
1-654-010051-11	1-27	181176	1-23
1-654-010051-13	1-7, 1-67	1-861-010032-02	1-65
1-654-010055-02	1-11, 1-19, 1-29	1-861-010032-08	1-43, 1-51, 1-55, 1-57
1-654-010055-03	1-5	1-861-010032-09	1-33
1-654-010055-04	1-19	1-861-010032-11	1-17, 1-19, 1-66
1-654-010055-12	1-11, 1-25	1-861-010032-13	1-13, 1-55, 1-57
1-654-010055-13	1-23	1-861-010032-14	1-13, 1-15, 1-17, 1-19, 1-25, 1-29, 1-39
1-654-010055-18	1-25	1-861-010032-18	1-7, 1-13, 1-49, 1-55, 1-57
1-654-010059-04	1-23	1-861-010032-20	1-3, 1-5, 1-13, 1-28
1-654-010059-07	1-39	1-861-010032-24	1-5, 1-7, 1-8
1-654-010059-08	1-49	1-861-010034-07	1-33, 1-35, 1-47, 1-59
1-654-010059-16	1-55, 1-57	1-861-010034-09	1-33, 1-34, 1-35
1-654-010061-05	1-13, 1-17, 1-25	1-861-010034-10	1-45, 1-47
1-654-010065-08	1-5	1-861-010034-11	1-66
1-654-010070-02	1-17, 1-19	1-861-010034-13	1-11, 1-13, 1-15, 1-17, 1-19, 1-39
1-654-010070-03	1-13, 1-17, 1-19	1-861-010034-15	1-17, 1-23, 1-39, 1-45, 1-49
1-654-010070-04	1-17, 1-19	1-861-010034-17	1-13, 1-17, 1-25
1-654-010070-05	1-17, 1-19	1-861-010043-10	1-45
1-654-010153-09	1-15	187454	1-13, 1-55, 1-57
1-654-010158-1	1-45	191376	1-31, 1-45, 1-58, 1-59
1-654-010160-07	1-45	193500	1-71
1-655-010003-05	1-31, 1-45, 1-55, 1-57	195904	1-25
1-656-010003034	1-65	196120	1-23
1-656-010003051	1-59, 1-66	196754	1-17, 1-19
168346	1-67	198619	1-7
170943	1-66		

199977	1-7	226793	1-43
1C1052ER	1-39	226794	1-43, 1-51
1C199	1-35	226795	1-51
1C213	1-33, 1-35, 1-47, 1-66	226796	1-11
1C245	1-36	226803	1-21
1C272	1-36	226804	1-20, 1-21
1D598	1-39, 1-40	226805	1-20, 1-21
1P991	1-39	226806	1-20, 1-21
200937	1-19	226807	1-20
200964	1-41	226809	1-5
200965	1-13, 1-55, 1-57	226811	1-21
202702-8-8S	1-61	226812	1-20, 1-21
205290	1-39, 1-40, 1-49	226813	1-13, 1-15
207610	1-34	226814	1-15
2107649	1-8	226815	1-15
214050	1-3	226816	1-15
214084	1-52	226820	1-13, 1-17
214114	1-39, 1-49	226821	1-11
214337	1-13	226826	1-17
218254	1-27, 1-39, 1-49, 1-52	226827	1-13, 1-17
218261	1-63	226830	1-61
218262	1-63	226832	1-23
218264	1-71	226838	1-11
218294	1-41	228523	1-23
219117	1-13, 1-17	228524	1-23
219132	1-34	228525	1-17
219133	1-43, 1-51	228534	1-31
219204	1-7	228552	1-17
221104	1-17	228566	1-3
221953	1-61	228573	1-3
224173	1-13, 1-17	228578	1-7
224589	1-71	228579	1-7
225549	1-25	228580	1-7
226768	1-39	228581	1-7
226769	1-25, 1-45, 1-65	228592	1-31, 1-35
226771	1-52	228593	1-31, 1-33
226790	1-11	228594	1-35
226791	1-11	228595	1-33

INDEX

229114	1-33, 1-34	229355	1-45, 1-47
229115	1-34	229357	1-59
229116	1-17	229358	1-39, 1-49
229121	1-5	229359	1-59
229126	1-31, 1-45	229361	1-43, 1-51
229132	1-35, 1-36	229367	1-39
229133	1-36	229368	1-39, 1-40, 1-49
229135	1-31	229369	1-39
229137	1-33	229370	1-43
229138	1-31	229372	1-41
229147	1-29	229374	1-40, 1-50
229150	1-31	232190	1-71
229153	1-63	233470	1-13
229154	1-58, 1-59	234495	1-20
229283	1-58	234497	1-20
229284	1-31	236921	1-58
229285	1-43	236923	1-58
229286	1-43	241022	1-11
229291	1-43, 1-51	241036	1-25
229306	1-41	241037	1-25
229308	1-55	241039	1-19, 1-23
229310	1-39	241040	1-19
229313	1-39	241041	1-19
229317	1-39	241073	1-17
229319	1-39	241074	1-17, 1-19
229320	1-45, 1-47, 1-57	241075	1-17
229330	1-40, 1-65	241076	1-17, 1-19
229333	1-45	241080	1-25
229336	1-45	241082	1-27
229338	1-31	241084	1-27
229339	1-45, 1-47, 1-57	241088	1-3, 1-5, 1-11
229340	1-45, 1-47, 1-57	241090	1-20, 1-21
229344	1-45	241091	1-17, 1-19, 1-20
229345	1-45	241092	1-17, 1-19, 1-21
229348	1-45	241095	1-11
229349	1-49	241096	1-19
229351	1-49	241097	1-11
229354	1-47	241099	1-11

241100	1-11	3P062	1-40, 1-50
241101	1-19	3P078	1-71
241103	1-19	3P079	1-7
241104	1-23	3P115	1-31
241109	1-25	3P143	1-45
241110	1-19	3P153	1-65
241112	1-27	3P157	1-71
241116	1-19	3P228	1-23
241118	1-25	3P246	1-39
242490	1-71	3P274	1-13, 1-55, 1-57
242491	1-71	3P275	1-13, 1-55, 1-57
242492	1-71	3P276	1-13, 1-55, 1-57
244051	1-27	3P280	1-29
2-557-010417	1-3	3P284	1-29
2-573-010198	1-71	4000335	1-71
2C360	1-33, 1-47	415	1-9
2C808	1-47	4C778	1-23
2C809	1-47	4D402	1-41
2C911	1-47	4J548	1-49
2C913	1-47	4J918	1-3
2K123	1-71	4K607	1-61
2K503	1-39, 1-40	51365-4	1-58, 1-59
2P252	1-17, 1-19, 1-27, 1-45	5210	1-23
2P253	1-3, 1-17, 1-19, 1-23, 1-25, 1-29, 1-52	528933	1-71
2P254	1-5	528934	1-71
2P848	1-39	528938	1-71
2P957	1-28	5C100	1-7, 1-27, 1-28, 1-67
2P959	1-28	5D129	1-66
2P960	1-27, 1-28	5J280	1-7, 1-61, 1-69
2P961	1-28	5J650	1-69
2P962	1-27	5K141	1-34
2P999	1-5	5K143	1-34
3/4-16HSN	1-28	5K144	1-34
3J450	1-3, 1-5	5K277	1-65
3J561	1-29	5K310	1-65, 1-66
3K706	1-71	5K319	1-41, 1-52
3P001	1-5	5K825	1-25
3P007	1-5, 1-11	5K968	1-41

INDEX

6D312	1-9	9K740	1-66, 1-71
6D333	1-5		
6D336	1-8		
6D338	1-8		
6J448	1-7		
6J765	1-8		
6J766	1-7, 1-8, 1-67		
6K158	1-13, 1-17		
6K460	1-40, 1-50		
6K919	1-7, 1-9, 1-67		
6K970	1-5, 1-39, 1-49		
712099	1-8		
7C076	1-39		
7C285	1-49		
7D759	1-34		
7D937	1-33, 1-35, 1-47		
7D938	1-33, 1-35, 1-47		
7J140	1-31, 1-45		
7K237	1-52		
7K345	1-58		
7K545	1-28		
7K656	1-47		
7K926	1-69		
7K930	1-69		
8C892	1-39, 1-49		
8J310	1-71		
8J564	1-47		
8K112	1-7		
8K113	1-7		
8K384	1-25, 1-39		
9.5LX15X8PLY	1-9		
9C226	1-28		
9D481	1-69		
9J338	1-25		
9J391	1-39		
9J433	1-41		
9J570	1-17, 1-19		
9K228	1-34, 1-58, 1-63		

Instructions for Ordering Parts

**** Repair parts must be ordered through an authorized dealer ****

DEALER INSTRUCTIONS FOR ORDERING PARTS FROM LANDOLL PARTS DISTRIBUTION CENTER

PHONE #: 800-423-4320 OR 785-562-5381

FAX #: 888-527-3909

ORDER ONLINE: Dealer.landoll.com

IDENTIFICATION PLATE

See Figure 4-1 for the Identification Plate, which lists the model and serial number of the equipment. It is located on the left side of the Till 'N Seed®

SERIAL NUMBER NOMENCLATURE

The serial number for the Till 'N Seed® is located on the identification plate. The following information will help decode the Landoll serial number.

ASD2200100 = xxmysssss

xx	= model series (i.e. "AS" for all AG Seeders)
m	= month of manufacture (ex. "D" means April. The letter I is not used.)
yy	= last digits of the year manufactured (ex. "22" means 2022)
sssss	= Sequential number used to track warranty and service information.



Figure 4-1: Identification Plate

Manuals for Till 'N Seed® - BPSB-8, BPSBP-8, BPSBA-8, BPSBAP-8

Manual Number	Manual Type
F-1097	Operator's Manual
F-1096	Parts Manual

Document Control Revision Log:

Date	Form #	Improvement(s): Description and Comments
05/2023	F-1096-2305	Initial Release (Revision Format "Year/Month")



Intertek

Equipment from Landoll Company, LLC is built to exacting standards ensured by ISO 9001 registration at all Landoll manufacturing facilities.

Till 'N Seed[®] **Models BPSB-8, BPSBP-8,** **BPSBA-8, BPSBAP-8** **Parts Manual**

Re-Order Part Number F-1096

LANDOLL COMPANY, LLC

1900 North Street

Marysville, Kansas 66508

(785) 562-5381

800-428-5655 ~ WWW.LANDOLL.COM



Copyright 2023. Landoll Company, LLC

“All rights reserved, including the right to reproduce this material or portions thereof in any form.”

