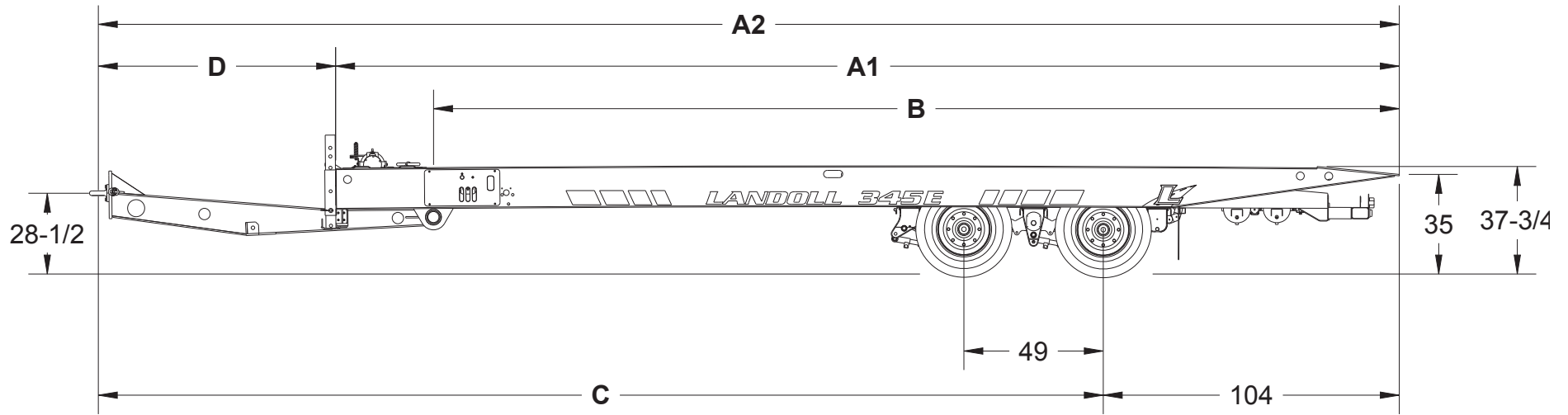




Model 345 Line Drawing



MODEL	A1		A2		B		C		D	
	FEET IN.	METERS	FEET IN.	METERS	FEET IN.	METERS	FEET IN.	METERS	FEET IN.	METERS
345-35	31'-2"	9.50	35' 1-1/2"	10.71	28' 3-1/2"	8.62	26' 5-1/4"	8.06	3' 11-1/2"	1.21
345-36	31'-2"	9.50	36' 1-1/2"	11.01	28' 3-1/2"	8.62	27' 5-1/4"	8.36	4' 11-1/2"	1.51
345-38	31'-2"	9.50	38' 1-1/2"	11.62	28' 3-1/2"	8.62	29' 5-1/4"	8.97	6' 11-1/2"	2.12

2013 / 05 / 15
LD345156631

Disclaimer - Landoll has a corporate policy of continuous product improvement and development, therefore, specifications are subject to change without any advance notice. Landoll is not responsible for differences between the specifications or illustrations contained on literature, data sheets, website and actual equipment.

This drawing and all information therein is property of Landoll and is confidential. It must not be made public or copied. This drawing is loaned subject to return upon demand and shall not be used directly or indirectly in anyway detrimental to our interest. Drawing illustrates standard equipment; optional equipment may change standard measurements.



Intertek