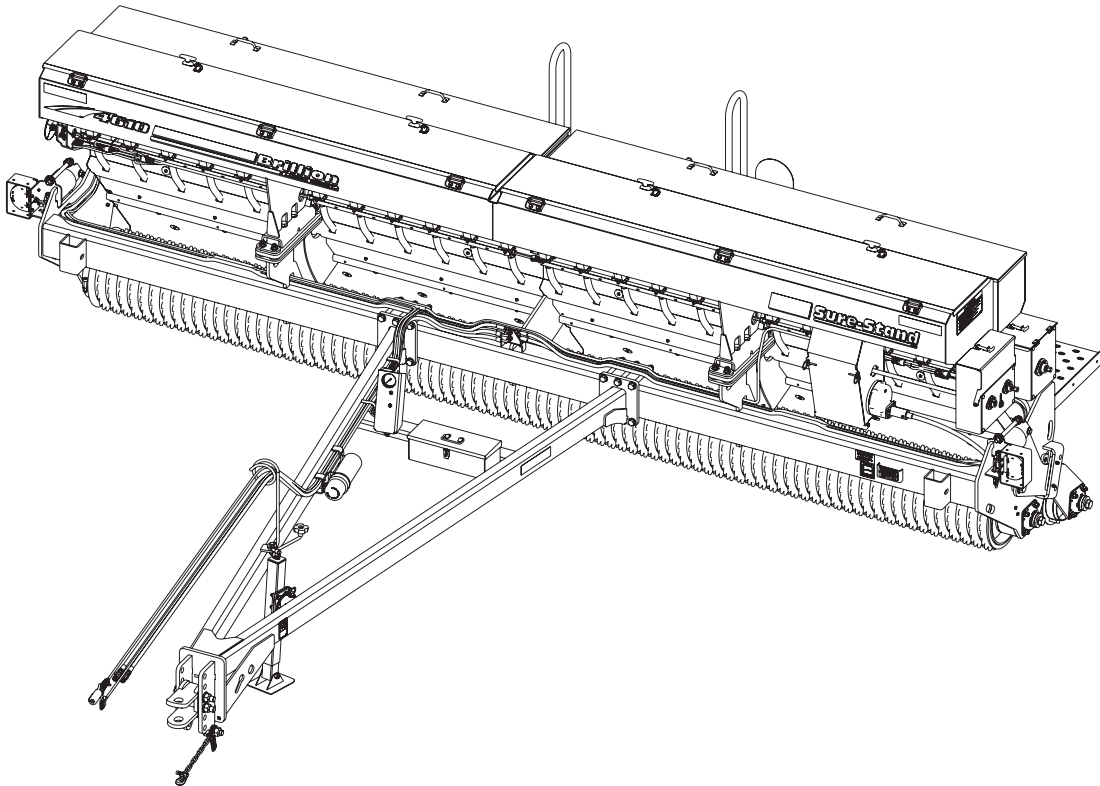




Sure Stand Seeder Model 4610-16 Parts Manual



LANDOLL COMPANY, LLC

1900 North Street

Marysville, Kansas 66508

(785) 562-5381

800-428-5655 ~ WWW.LANDOLL.COM

Manuals for 4610-16 Ag Seeder

Manual Number	Manual Type
F-1134	Operator's Manual
F-1133	Parts Manual

Table of Contents

1 Illustrated Parts List

Instructions for Ordering Parts	1-1
3-PT Hitch	1-2
Drawbar	1-4
Air Spring and Rear Roller Arm	1-6
Seeder Rollers and Gearbox	1-8
Gearbox Assembly	1-10
Front Roller Assembly	1-12
Rear Roller Assembly	1-13
Rear Roller with Sprockets - Optional	1-14
Deflectors - Single Box	1-16
Deflectors - Double Box	1-18
Wheel Arms	1-20
Hub and Spindle Assembly	1-22
Wheel and Tire Assembly	1-23
Single Seed Box Walk Plank and SMV	1-24
Double Seed Box 3-PT Hitch Walk Planks and SMV	1-26
Double Seed Box Drawbar Walk Planks, Wheel Arm Shields and SMV	1-28
Front Seed Box to Frame	1-30
Clutch Transmission	1-32
Clutch and Shaft Assembly	1-34
Front Seed Box Seed Shaft	1-36
Single Box End Transmission	1-38
Double Box End Transmission	1-40
Rear Box Mount	1-42
Agitator Assembly	1-44
Rear Box Transmission	1-46
Clutch Assembly	1-48
Calibration Crank Assembly	1-50
Seed Box Covers	1-52
Hydraulic Layout and Schematic	1-54
Single Box - 3-PT Hitch Electrical Layout	1-56
Single Box - Drawbar Electrical Layout	1-58
Double Box - 3-PT Hitch Electrical Layout	1-60
Double Box - Drawbar Electrical Layout	1-62
3-PT Hitch Air System	1-64
Drawbar Air System	1-66

Agitator Cage - Optional	1-68
8-Row Brush Agitator - Optional	1-69
5-Strip Brush Agitator Kit - Optional	1-70
5-Strip Brush Agitator Assembly - 22-1/2"	1-71
Coil Tine Harrow - Optional	1-72
Harrow Assembly - Optional	1-74
S-Tine Tracker Remover - Optional	1-76
S-Tine Hydraulic Tracker Remover - Optional	1-78
S-Tine Hydraulic Harrow Arm Mount	1-80
Scale Indicator Mounts - Optional	1-82
Scale Electrical Schematic - Optional	1-83
Acre Meter - Optional (Used with Basic Clutch Control)	1-84
Acre Meter Assembly - Optional	1-86
Basic Clutch Control Switch Box	1-88
Brillion Elite Mini Monitor - Single Box Electrical Layout	1-90
Brillion Elite Mini Monitor - Double Box Electrical Layout	1-92
Brillion Elite Mini Monitor - Single Seed Box Electrical Schematic	1-94
Brillion Elite Mini Monitor - Double Seed Box Electrical Schematic	1-96
Brillion Elite Mini Monitor - Ground Speed	1-98
Brillion Elite Mini Monitor - Seed Meter Shaft Sensor	1-99
Brillion Elite Mini Monitor - Agitator Seed Shaft Sensor	1-100
Brillion Elite Mini Monitor - Seed Meter Box Bin Level Sensor	1-101
Brillion Elite Mini Monitor - Agitator Box Bin Level Sensor	1-102
Brillion Elite Mini Monitor Tractor Mount	1-103
Hydraulic Cylinder, 2 x 3 - Prince	1-104
Hydraulic Cylinder, 4 x 10 - Prince	1-105
Weather Pack Connectors	1-106
AMP Connectors	1-107
Decals	1-108
Decal Locations	1-111

2 Glossary

3 Index

Illustrated Parts List

Instructions for Ordering Parts

**** Repair parts must be ordered through an authorized dealer ****

DEALER INSTRUCTIONS FOR ORDERING PARTS FROM LANDOLL PARTS DISTRIBUTION CENTER

PHONE #: 800-423-4320 OR 785-562-5381

FAX #: 888-527-3909

ORDER ONLINE: Dealer.landoll.com

DATA PLATE

See Figure 1-1 for the Data Plate, which lists the model and serial number of the equipment. It is located on the left side of the frame.

SERIAL NUMBER NOMENCLATURE

The serial number for the 4610-16 Ag Seeder is located on the Data Plate. The following information will help decode the Landoll serial number.

ASD22000100 = xxmysssss

xx	= model series (i.e. "AS" for all Agriculture Seeders)
m	= month of manufacture (ex. "D" means April. The letter I is not used.)
yy	= last digits of the year manufactured (ex. "22" means 2022)
sssss	= Sequential number used to track warranty and service information.

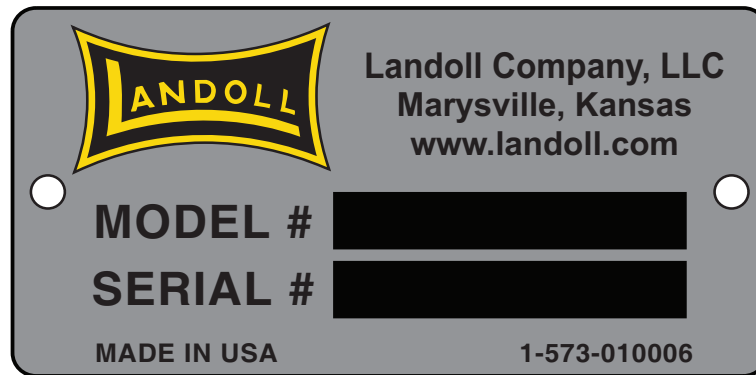


Figure 1-1: Data Plate

3-PT Hitch

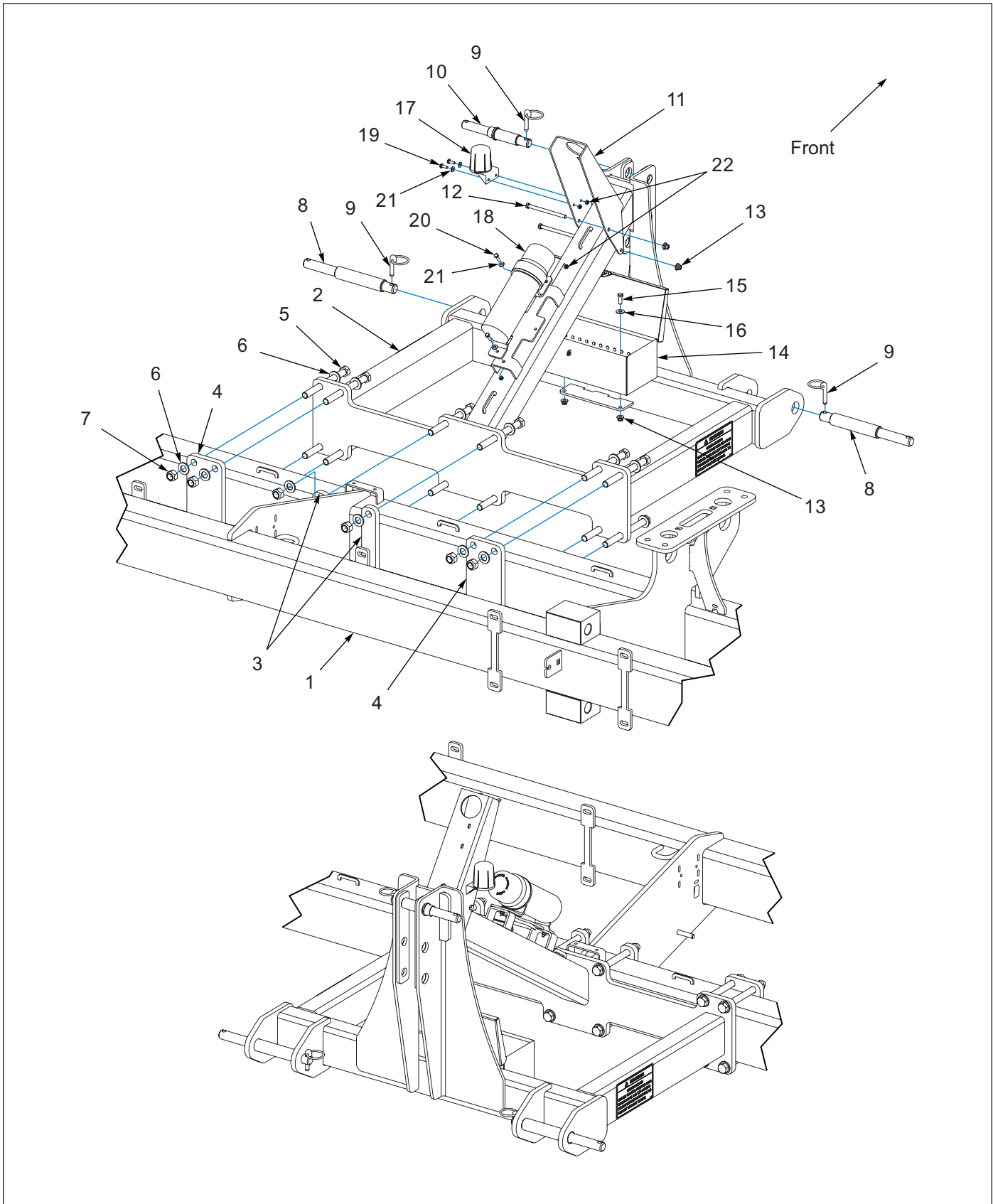


Figure 1-2: 3-PT Hitch

3-PT Hitch

ITEM	PART NUMBER	DESCRIPTION	QTY
1	241324	FRAME,SEEDER LOWER WLD	1
2	214056	HITCH, 3 POINT WLD	1
3	242469	PLATE,2-HOLE,7.813 SPACING	2
4	242470	PLATE,4-HOLE,7.813 SPACING	2
5	1-654-010061-21	SCREW,HX CP,3/4-10UNCX8	12
6	1-861-010032-20	WASHER, FLAT, 3/4 N, ZP/CD	24
7	1-512-010005-15	NUT, HEX SLFLKG 3/4-10, GRB	12
8	108841	PIN, LOWER 3 POINT	2
9	2-557-010417	PIN, LYNCH 7/16	3
10	214050	PIN, TOP LINK	1
11	218243	BRACKET, AIR MANIFOLD	1
12	185216	SCREW, HEX CAP 3/8-16UNC X 5-1/4, GR5	2
13	2P252	NUT, FLANGE NY-LOK 3/8-16	4
14	214084	TOOLBOX, 16" BLACK	1
15	1-654-010051-05	SCREW, HEX CAP 3/8-16UNC X 1, GR5	2
16	1-861-010032-11	WASHER, FLAT 3/8 W, ZP/CD	2
17	2-368-010287	HARNESS, STOR-A-WAY	1
18	142753	MANUAL HOLDER	1
19	1-654-010047-04	SCREW, HEX CP 1/4-20 X 3/4, GR5	2
20	1-654-010047-06	SCREW, HEX CP 1/4-20 X 1, GR5	2
21	1-861-010032-06	WASHER, FLAT 1/4 W, ZP/CD	4
22	1-512-010005-01	NUT, HEX SLFLKG GRB, 1/4-20	4

ILLUSTRATED PARTS LIST

Drawbar

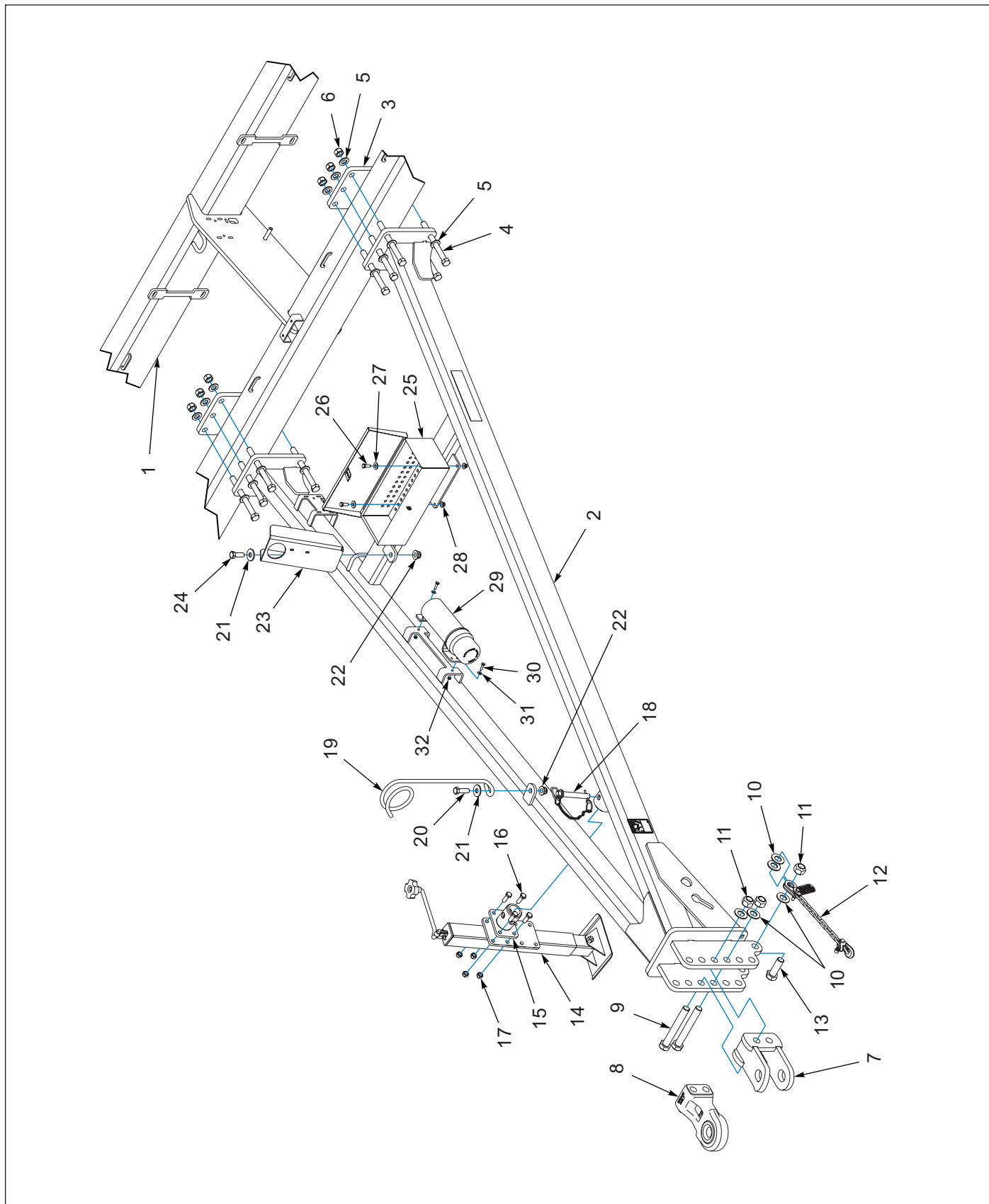


Figure 1-3: Drawbar

Drawbar

ITEM	PART NUMBER	DESCRIPTION	QTY
1	241324	FRAME,SEEDER LOWER WLD	1
2	219183	DRAWBAR, SS16 W/DECALS	1
3	241025	PLATE, 6 HOLE	2
4	1-654-010061-21	SCREW,HX CP,3/4-10UNCX8	12
5	1-861-010032-20	WASHER, FLAT 3/4 N, ZP/CD	24
6	1-512-010005-15	NUT, HEX SLFLKG GRB 3/4-10	12
7	226809	HITCH CAT 2 CLEVIS	1
8	177030	HITCH, BALL CAT 3	1
9	153696	BOLT, HITCH CLEVIS (1-8 X 7-1/2)	2
10	1-861-010032-24	WASHER FL 1IN NARROW, ZP	5
11	1-512-010005-19	NUT, 1-8 HEX SLFLKG, GRB	3
12	141433	SAFETY CHAIN 11,000LB	1
13	3J608	CAPSCREW, 1-8UNC X 3, GR5, ZP	1
14	2P999	JACK 5000LB	1
15	3P001	JACK MOUNT, 3/4 PIN	1
16	1-654-010055-03	SCREW, HEX CAP, 1/2-13UNC X 1-1/2	4
17	1-512-010005-09	NUT, HEX SLFLKG 1/2-13 GRB	4
18	3P007	PIN, 3/4 W/CHAIN	1
19	6D333	HOSE SUPPORT	1
20	1-654-010059-05	SCREW, HEX CAP 5/8-11UNC X 2, GR5	1
21	1-861-010032-19	WASHER, FLAT 5/8 W ZP/CD	2
22	2P254	NUT, FLANGE NY-LOK 5/8-11	2
23	219176	BRACKET, AIR MANIFOLD	1
24	1-654-010059-04	SCREW, HEX CAP 5/8-11UNC X 1-3/4, GR5	1
25	214084	TOOLBOX, 16" BLACK	1
26	1-654-010051-05	SCREW, HEX CAP 3/8-16UNC X 1, GR5	2
27	1-861-010032-11	WASHER, FLAT 3/8 W, ZP/CD	2
28	2P252	NUT, FLANGE NY-LOK 3/8-16	4
29	142753	MANUAL HOLDER	1
30	1-654-010047-06	SCREW, HEX CP 1/4-20 X 1, GR5	2
31	1-861-010032-06	WASHER, FLAT 1/4 W, ZP/CD	2
32	1-512-010005-01	NUT, HEX SLFLKG GRB, 1/4-20	2

ILLUSTRATED PARTS LIST

Air Spring and Rear Roller Arm

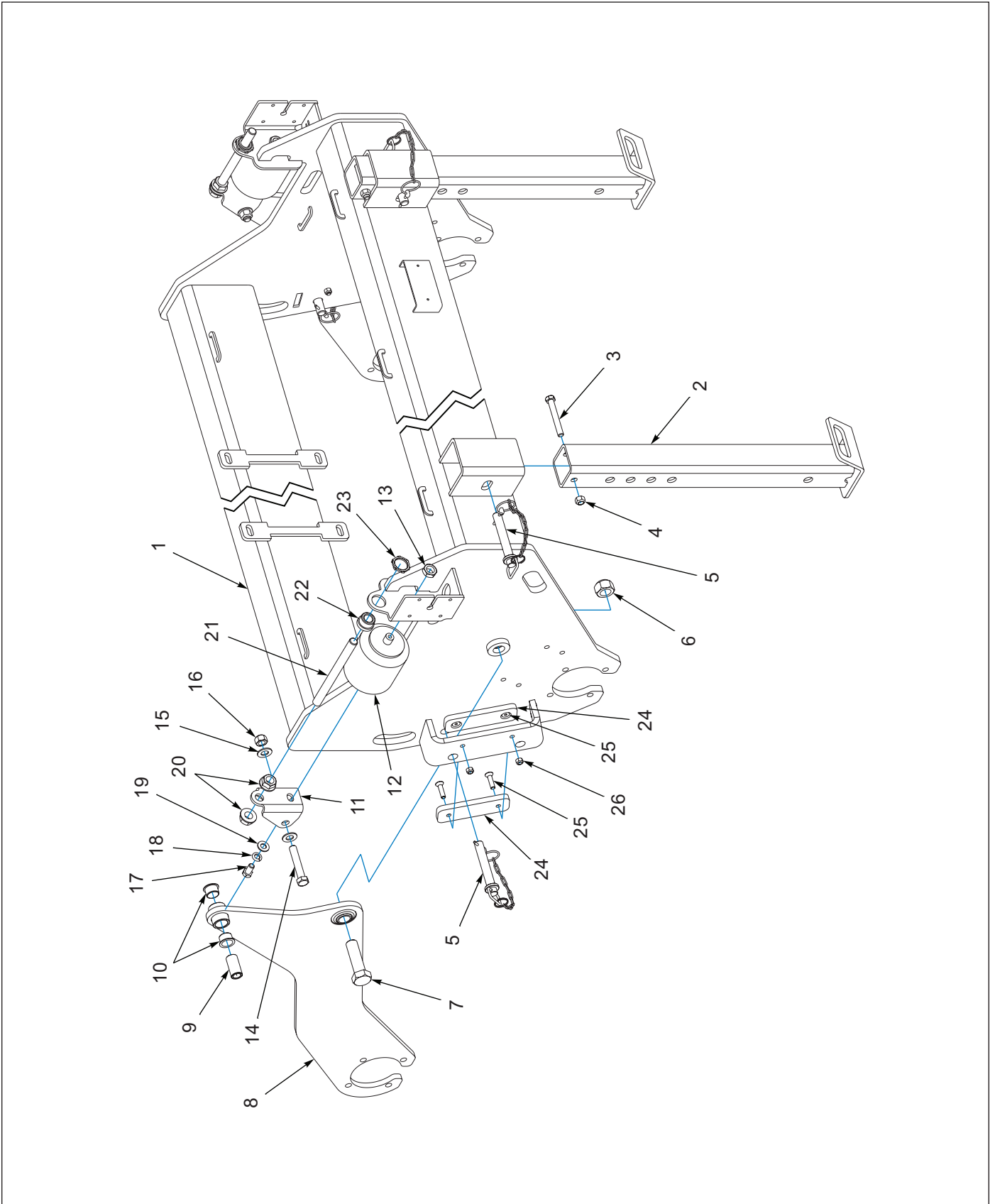


Figure 1-4: Air Spring and Rear Roller Arm

Air Spring and Rear Roller Arm

ITEM	PART NUMBER	DESCRIPTION	QTY
1	241324	FRAME,SEEDER LOWER WLD	1
2	241019	STAND,PARKING	2
3	1-654-010055-12	HHCS, 1/2-13 X 3-3/4, GR5, ZP	2
4	1-512-010005-09	NUT, LOCK 1/2-13, GRB, ZP	2
5	3P007	PIN, 3/4 W/CHAIN	4
6	1-512-010005-19	NUT, LOCK 1-8, GRB, ZP	2
7	151508	HHCS, 1-8 X 3-1/2, GR5, ZP	2
8	241336	ARM,REAR ROLLER	2
9	214065	TUBE, RND 0.688 X 1.0 X 2.0	2
10	214067	BEARING, FLANGE 1.0 X 1.125 X 0.75	4
11	219159	YOKE, AIR SPRING	2
12	144237	SPRING, AIR 4.1 DIA	2
13	1-511-010002-08	NUT, HEX JAM, 3/4-16UNF, GR2	2
14	1-654-010059-11	SCREW, HX CP 5/8-11NC X 3.5, GR5	2
15	1-861-010032-18	WASHER, FLAT 5/8 N, ZP/CD	4
16	1-512-010005-13	NUT, HEX SLFLKG GRB 5/8-11	2
17	1-654-010055-01	SCREW, HX CP 1/2-13UNC X 1, GR5	2
18	1-861-010034-13	WASHER, LOCK 1/2, ZP	2
19	1-861-010032-14	WASHER, FLT 1/2" N ZP/CD	2
20	103841	NUT, SERRATED FLANGE 3/4-10	4
21	144332	ROD GUIDE	2
22	144348	BUSHING ROD GUIDE	2
23	144349	LOCKNUT, 1 CONDUIT	2
24	214150	PLATE, THRUST	4
25	118626	SCREW HXSKT CTSK3/8-16 X 1-1/2	8
26	1-512-010005-05	NUT, HEX, SLFLKG GRB 3/8-16	8

Seeder Rollers and Gearbox

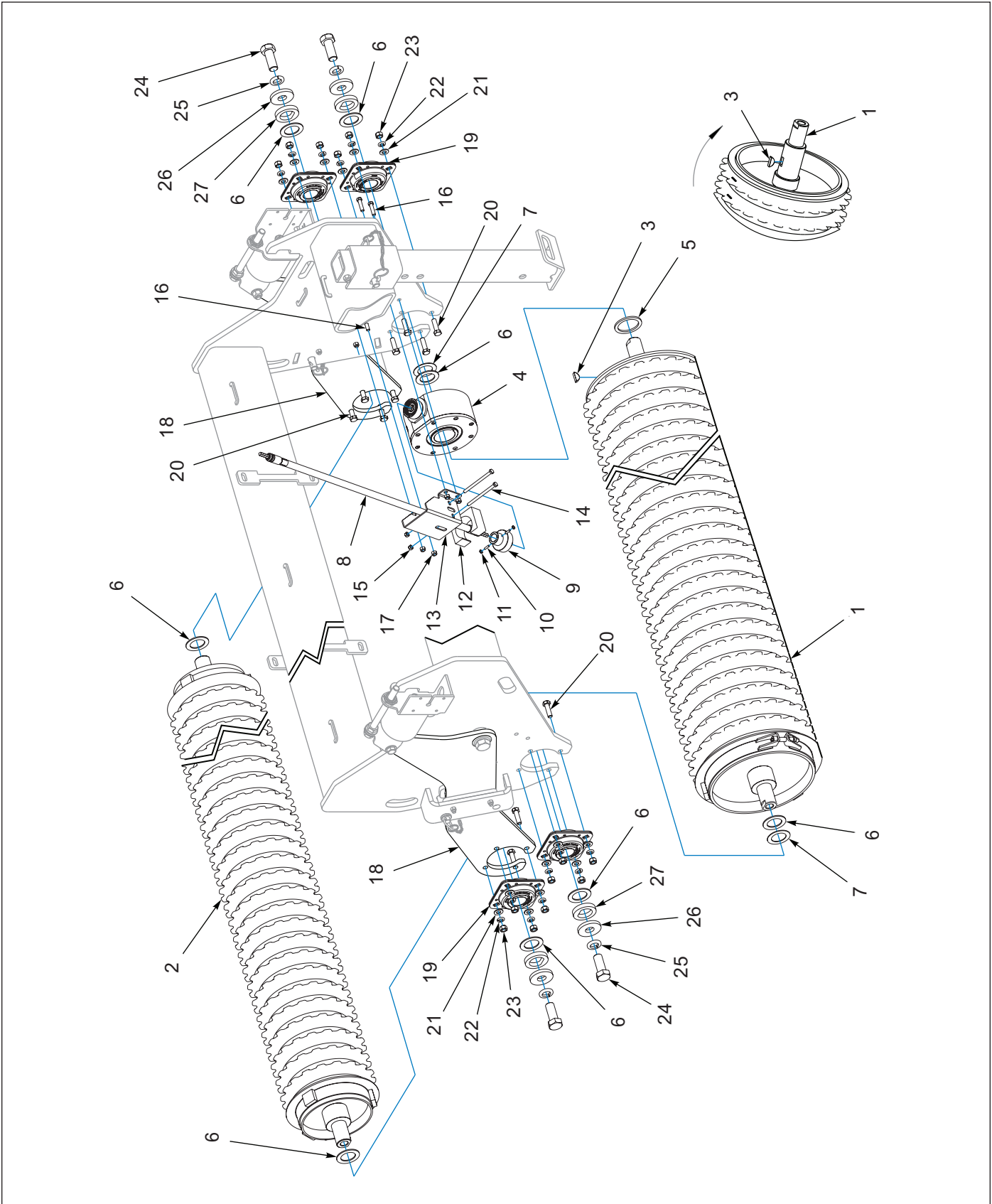


Figure 1-5: Seeder Rollers and Gearbox

Seeder Rollers and Gearbox

ITEM	PART NUMBER	DESCRIPTION	QTY
1	214036	ROLLER ASM, KEYED 16FT (SEE PAGE 1-12)	1
2	214071	REAR ROLLER ASM, 16FT (SEE PAGE 1-13)	1
2	218271	REAR ROLLER ASM, W/SPRKT, 16FT (SEE PAGE 1-14)	1
3	212540	KEY, 1210 WOODRUFF	1
4	210948	GEARBOX ASM (SEE PAGE 1-10)	1
5	214085	WASHER, 2.531 X 3.25 X .187 SS	1
6	171738	WASHER, SHIM 11GA, 1.79 ID	8
7	171739	WASHER, SHIM 14 GA, 1.79 ID	2
8	212494	FLEX DRIVE, 36-5/8"	1
9	210952	ADAPTER, GEARBOX	1
10	210993	SCREW, SET, FTPT 10-24 X 3/4	2
11	1-512-010007-03	NUT, HEX 10-24	2
12	212555	BUMPER, DRIVE SHIELD	1
13	212490	SHIELD, DRIVE	1
14	1-654-010049-18	SCREW, HEX, 5/16-18 X 4-1/2, GR5	2
15	1-512-010005-03	NUT, LOCK 5/16-18, ZP	2
16	1-654-010051-07	SCREW, HEX CAP, 3/8-16UNC X 1-1/2	4
17	1-512-010005-05	NUT, HEX SLFLKG GRB 3/8-16	4
18	241336	ARM, REAR ROLLER	2
19	200937	FLANGED BRG, 1-3/4 RND BORE	4
20	1-654-010055-04	SCREW, HEX CAP, 1/2-13UNC X 1-3/4	16
21	1-861-010032-14	WASHER, FLT 1/2 SAE, ZP	16
22	1-861-010034-13	WASHER, LOCK 1/2, ZP	16
23	1-512-010007-09	NUT, HEX 1/2-13, ZP	16
24	151528	HHCS, 1-8 X 2-1/2, GR5, ZP	4
25	1-861-010034-21	WASHER, LKG HEL SPRG 1IN	4
26	154185	WASHER, 3/8	4
27	154186	WASHER, FLAT TOP	4

Gearbox Assembly

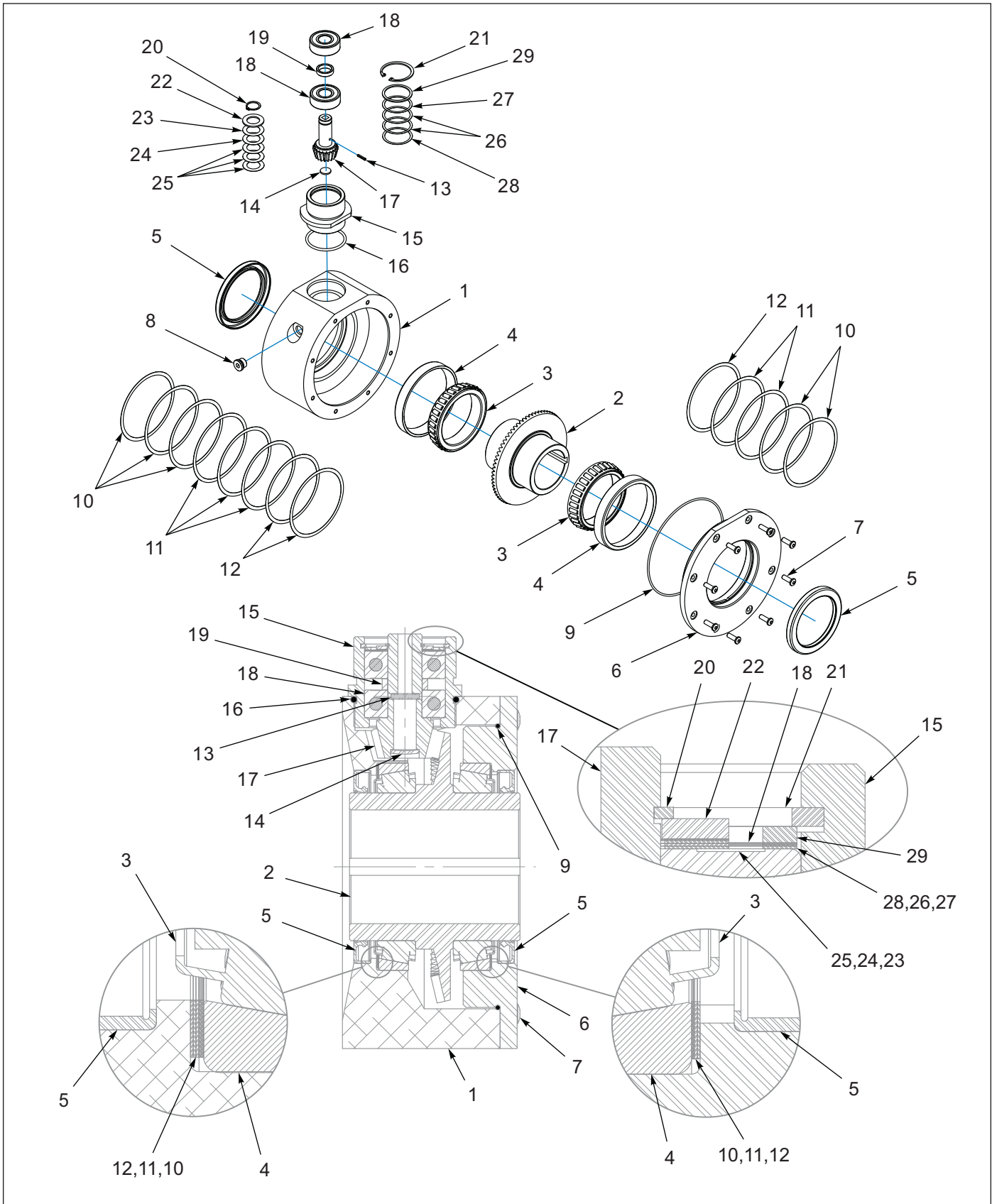


Figure 1-6: Gearbox Assembly

Gearbox Assembly

ITEM	PART NUMBER	DESCRIPTION	QTY
	210948	GEARBOX ASM	1
1	210949	HOUSING, GEARBOX	1
2	210951	RING GEAR, 72T	1
3	210953	BRG CONE, L116149	2
4	210954	BRG CUP, L116110	2
5	210918	SEAL, DOUBLE LIP 3.25 BORE	2
6	210915	CAP, GEARBOX END	1
7	106955	SCREW, BHSC 1/4-20UNC X 3/4	8
8	148988	PLUG, SAE M O-RING BOSS HX SKT	1
9	214141	O-RING, 6" I.D. X 0.103"	1
10	210937	SHIM, 4.031 X 4.450 X 0.010	5
11	210936	SHIM, 4.031 X 4.450 X 0.005	5
12	210935	SHIM, 4.031 X 4.450 X 0.002	3
13	2C714	ROLL PIN, 1/8 X 5/8, ZP	1
14	210959	EXPANSION PLUG, 5/8	1
15	210950	TUBE, PINION	1
16	210955	O-RING, 2-1/8ID X 2-3/8OD	1
17	210930	PINION GEAR, 18T	1
18	210942	BEARING, BALL 3/4 BORE	2
19	210929	SPACER, 0.760 X 1.0 X .25	1
20	7K016	RETAINING RING, TRUARC #5100-75	1
21	210956	RETAINING RING, M47 INTERNAL	1
22	8C381	MACH BUSH, 0.75 X 1.25 X 14GA	1
23	210938	SHIM, 0.781 X 1.25 X 0.002	1
24	210939	SHIM, 0.781 X 1.25 X 0.005	1
25	210940	SHIM, 0.781 X 1.25 X 0.010	3
26	210933	SHIM, 1.5 X 1.75 X 0.005	2
27	210932	SHIM, 1.5 X 1.75 X 0.002	1
28	210934	SHIM, 1.5 X 1.75 X 0.010	1
29	210957	SHIM, 1.5 X 1.75 X 0.060	1

Front Roller Assembly

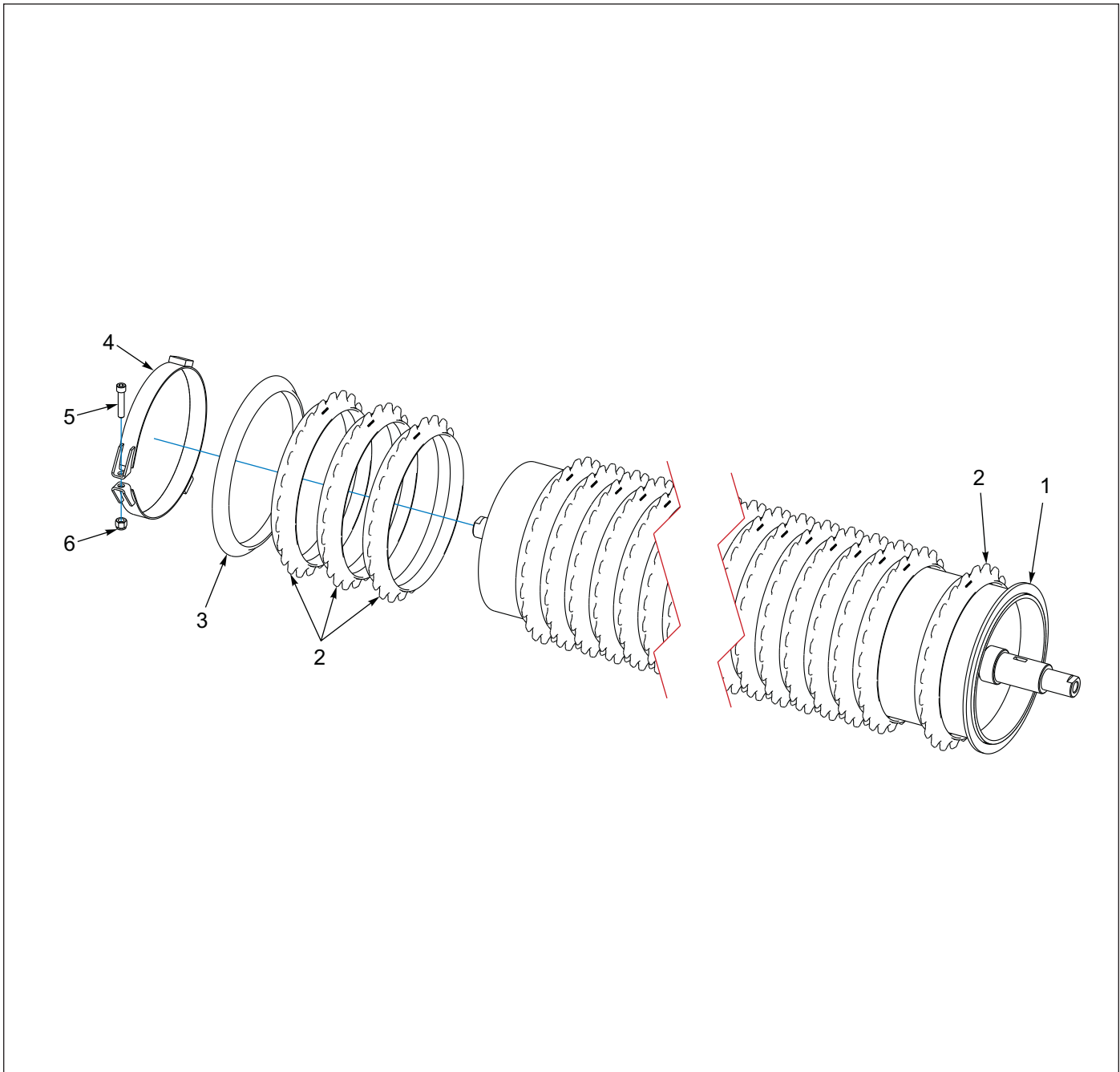


Figure 1-7: Front Roller Assembly

Front Roller Assembly

ITEM	PART NUMBER	DESCRIPTION	QTY
	214036	ROLLER ASM, KEYED 16FT	1
1	214034	DRUM, SEEDER ROLLER, KEYED 16FT	1
2	4C688	FRONT SAND WHEEL UNPAINTED	83
3	1C968	CASTING HALF WHEEL	1
4	2C062	CLAMP BAND, 12" ROLLER	1
5	118577	SCREW, HX SKT HD 1/2-13 X 2-1/2, ZP	1
6	2C112	NUT, NY-LOK HEAVY 1/2-13, ZP	1

Rear Roller Assembly

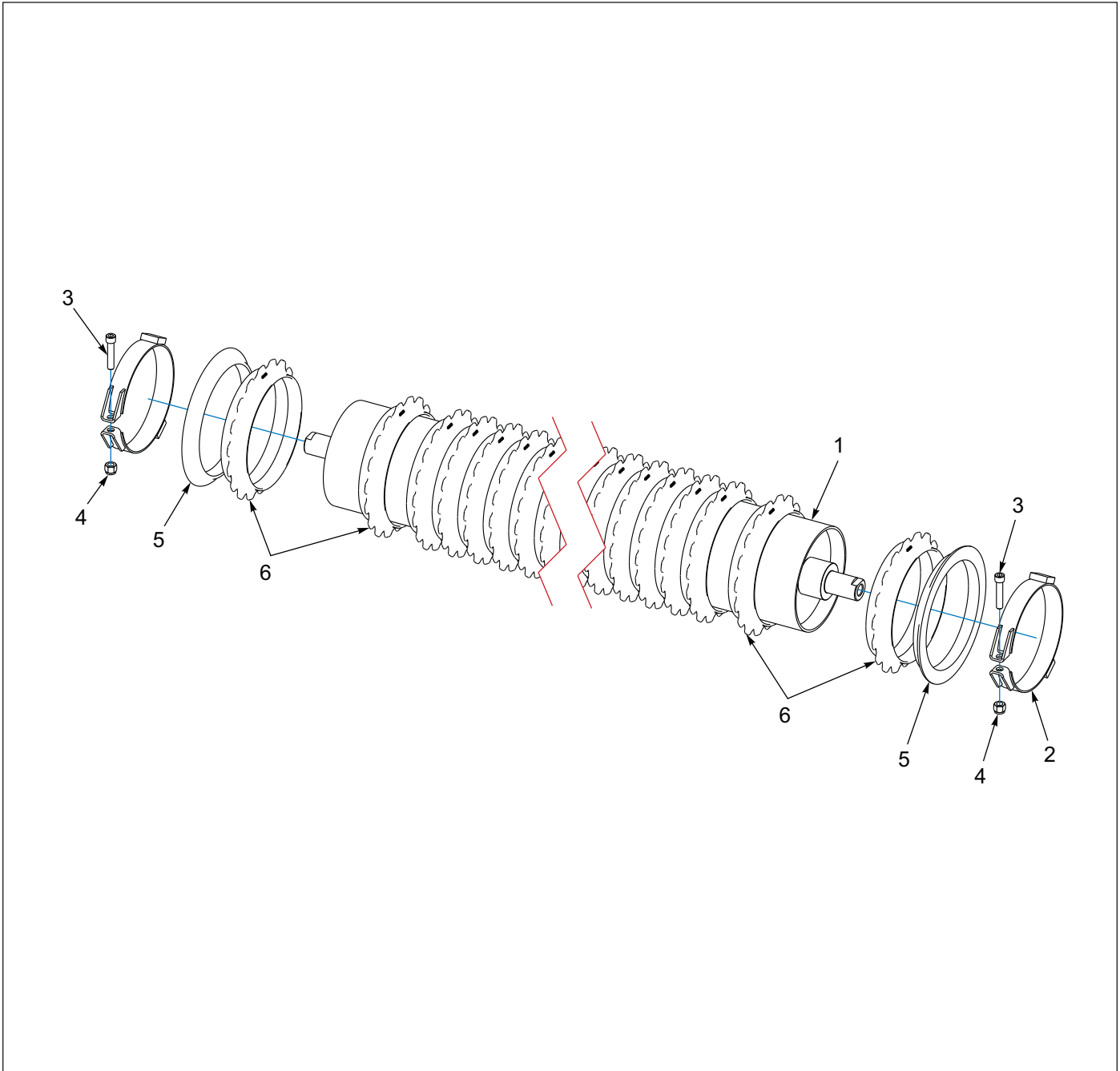


Figure 1-8: Rear Roller Assembly

Rear Roller Assembly

ITEM	PART NUMBER	DESCRIPTION	QTY
	214071	REAR ROLLER ASM, 16FT	1
1	214068	DRUM, REAR ROLLER, 16FT	1
2	2C055	CLAMP BAND, 8" ROLLER	2
3	118577	SCREW, HX SKT HD 1/2-13 X 2-1/2, ZP	2
4	2C112	NUT, NY-LOK HEAVY 1/2-13, ZP	2
5	2C524	HALF WHEEL	2
6	4C689	REAR SAND WHEEL (7000488) (8-5/8 PIPE)	84

Rear Roller with Sprockets - Optional

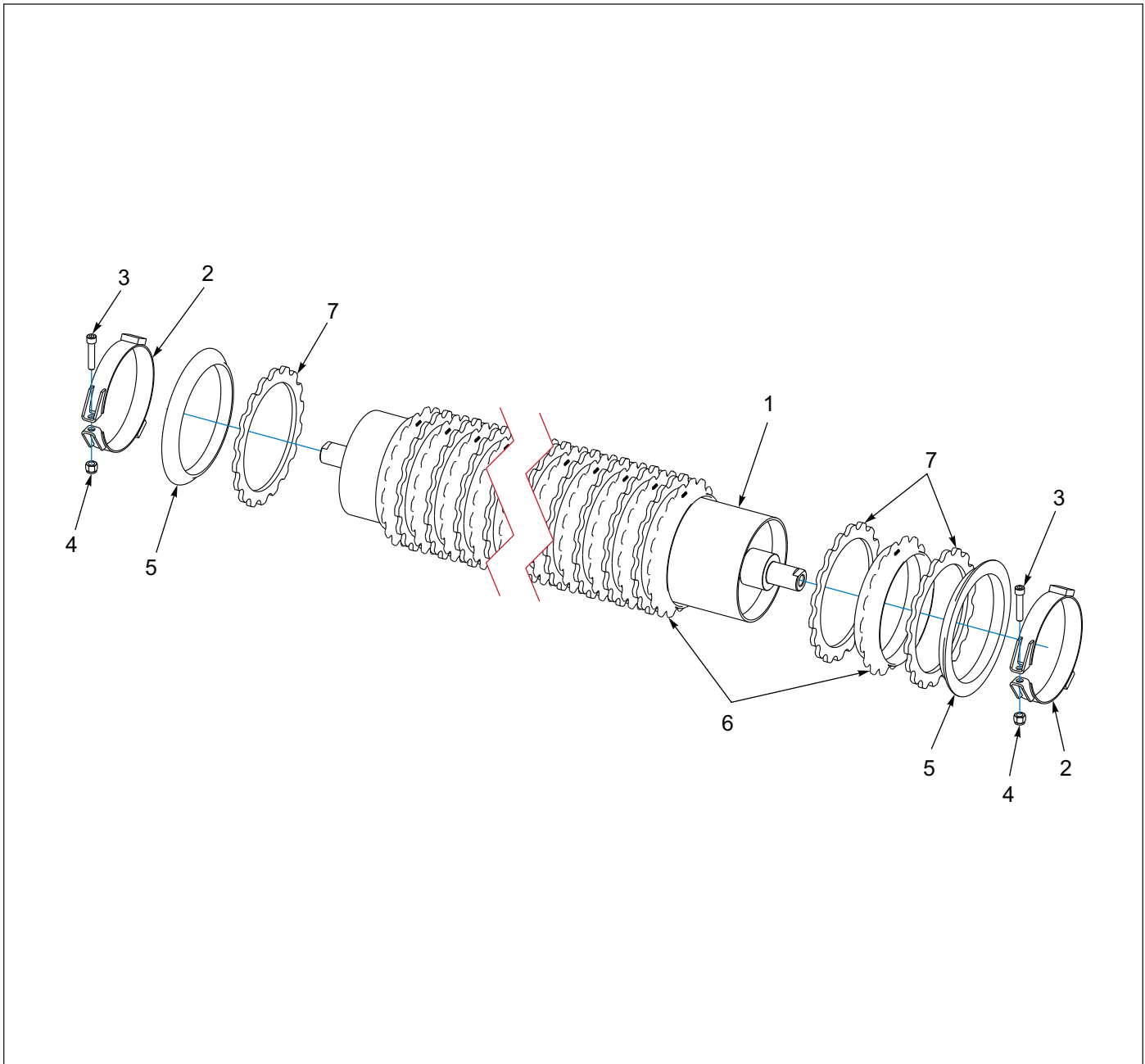


Figure 1-9: Rear Roller with Sprockets - Optional

Rear Roller with Sprockets - Optional

ITEM	PART NUMBER	DESCRIPTION	QTY
	218271	REAR ROLLER W/SPRKTS, 16FT	1
1	214068	DRUM, REAR ROLLER, 16FT	1
2	2C055	CLAMP BAND, 8" ROLLER	2
3	118577	SCREW, HX SKT HD 1/2-13 X 2-1/2, ZP	2
4	2C112	NUT, NY-LOK HEAVY 1/2-13, ZP	2
5	2C524	HALF WHEEL	2
6	4C689	REAR SAND WHEEL (7000488) (8-5/8 PIPE)	72
7	4K913	WHEEL SPACER	73

ILLUSTRATED PARTS LIST

Deflectors - Single Box

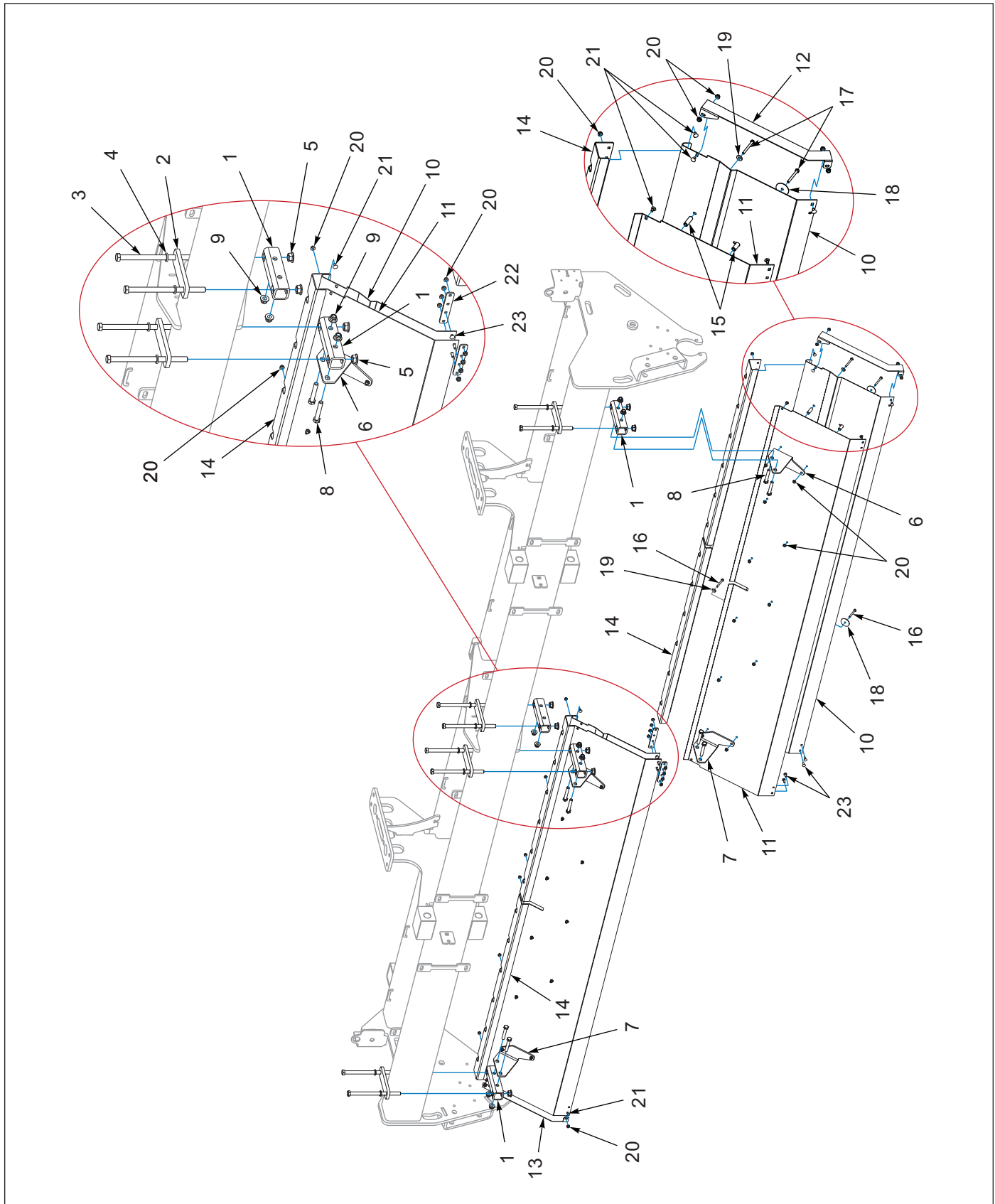


Figure 1-10: Deflectors - Single Box

Deflectors - Single Box

ITEM	PART NUMBER	DESCRIPTION	QTY
1	242455	TUBE,DEFLECTOR MOUNTING	4
2	238893	PLATE,2H X 5-11/16 CENTERS	4
3	2P561	HHCS, 5/8-11 X 10, GR 5, ZP	8
4	1-861-010034-15	WASHER,LKG,HLCL SPR,5/8	8
5	106534	NUT,HEX FLG 5/8-11,GR8, ZP	8
6	241355	BRACKET, LOWER DEFLECTOR RH	2
7	241354	BRACKET, LOWER DEFLECTOR LH	2
8	1-654-010055-09	SCREW,HX CP,1/2-13UNCX3 GR5	8
9	2P253	NUT, FLANGE NY-LOK 1/2-13	8
10	241356	DEFLECTOR, LOWER FRONT	2
11	241357	DEFLECTOR, LOWER REAR	2
12	241368	END CAP, LOWER DEFLECTOR RH	1
13	241369	END CAP, LOWER DEFLECTOR LH	1
14	242458	CAP,LOWER DEFLECTOR	4
15	214157	TUBE,RND 0.282 X 0.5 X 1.5	22
16	111190	SCREW HX CP 1/4-20UNCX2-1/4G5	14
17	1-654-010047-12	SCREW,HEX 1/4-20UNCX2-1/2	8
18	214158	WASHER,0.25 X 1.75 X 0.062	10
19	1-861-010032-07	WASHER,FLAT 1/4 ZP	12
20	108417	NUT SPIRAL 1/4-20HX FG	42
21	104881	SCREW,RDH,SQNK,1/4-20UNCX1/2	20
22	214159	STRAP	2
23	1-654-010158-1	SCREW,RHD,SQ NCK,1/4-20UNCX3/4	8

ILLUSTRATED PARTS LIST

Deflectors - Double Box

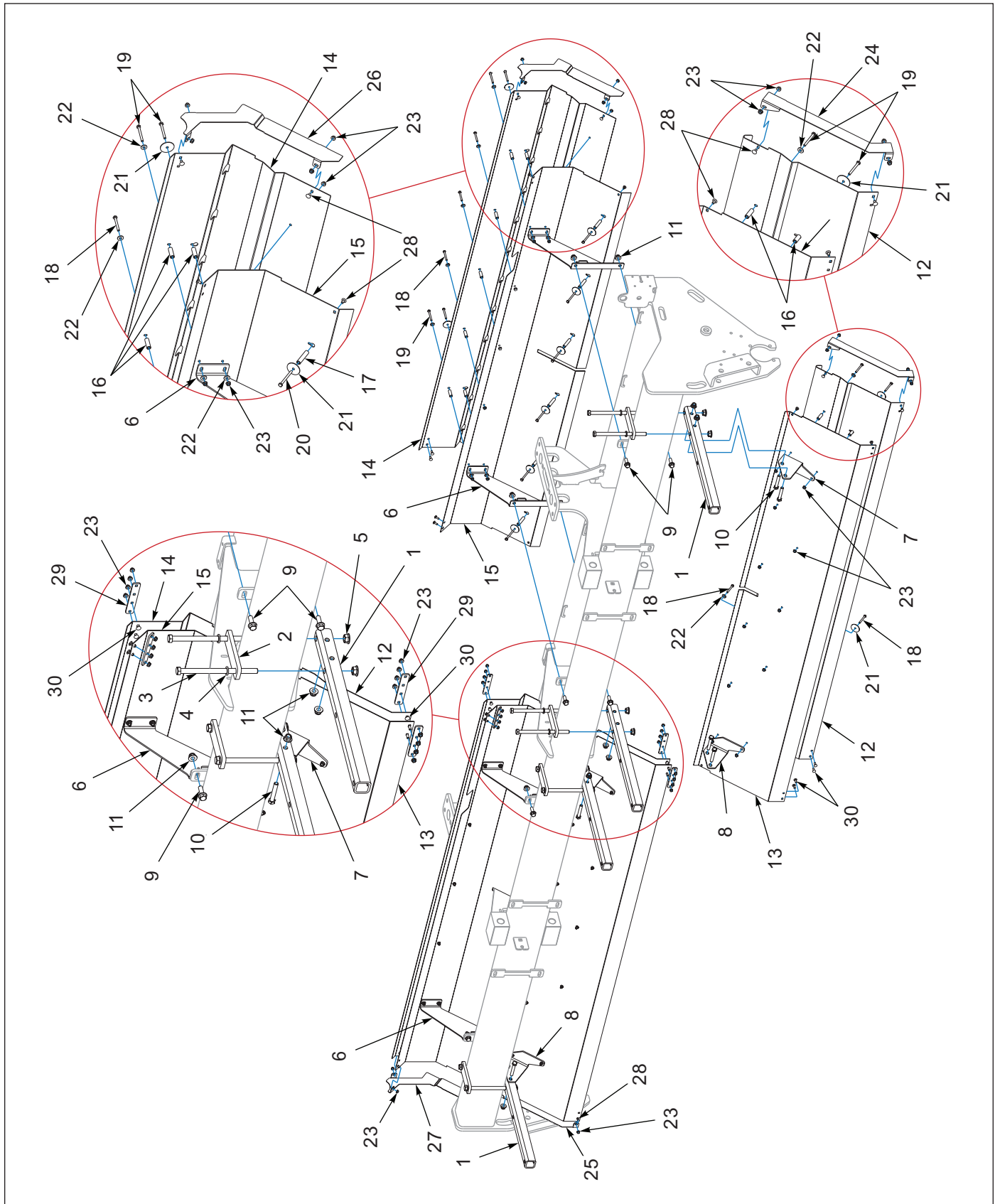


Figure 1-11: Deflectors - Double Box

Deflectors - Double Box

ITEM	PART NUMBER	DESCRIPTION	QTY
1	241353	TUBE,WALK PLANK MOUNTING	4
2	238893	PLATE,2H X 5-11/16 CENTERS	4
3	2P561	HHCS, 5/8-11 X 10, GR 5, ZP	8
4	1-861-010034-15	WASHER,LKG,HLCL SPR,5/8	8
5	106534	NUT,HEX FLG 5/8-11,GR8, ZP	8
6	241358	BRACKET,UPPER DEFLECTOR	4
7	241355	BRACKET, LOWER DEFLECTOR RH	2
8	241354	BRACKET, LOWER DEFLECTOR LH	2
9	1-655-010001-3	SCREW, FLG HD 1/2-13X1-1/2	8
10	1-654-010055-09	SCREW,HX CP,1/2-13UNCX3 GR5	8
11	2P253	NUT, FLANGE NY-LOK 1/2-13	16
12	241356	DEFLECTOR, LOWER FRONT	2
13	241357	DEFLECTOR, LOWER REAR	2
14	241359	DEFLECTOR,UPPER FRONT	2
15	241360	DEFLECTOR,UPPER REAR	2
16	214157	TUBE,RND 0.282 X 0.5 X 1.5	36
17	234504	TUBE,RND 0.282 X 0.5 X 2.375	12
18	111190	SCREW HX CP 1/4-20UNCX2-1/4G5	20
19	1-654-010047-12	SCREW,HEX 1/4-20UNCX2-1/2	16
20	1-654-010047-14	SCREW, HX CP 1/4-20UNCX3 GR5	12
21	214158	WASHER,0.25 X 1.75 X 0.062	26
22	1-861-010032-07	WASHER,FLAT 1/4 ZP	30
23	108417	NUT SPIRAL 1/4-20HX FG	96
24	241368	END CAP, LOWER DEFLECTOR RH	1
25	241369	END CAP, LOWER DEFLECTOR LH	1
26	241361	END CAP,UPPER DEFLECTOR RH	1
27	241362	END CAP,UPPER DEFLECTOR LH	1
28	104881	SCREW,RDH,SQNK,1/4-20UNCX1/2	16
29	214159	STRAP	4
30	1-654-010158-1	SCREW,RHD,SQ NCK,1/4-20UNCX3/4	16

ILLUSTRATED PARTS LIST

Wheel Arms

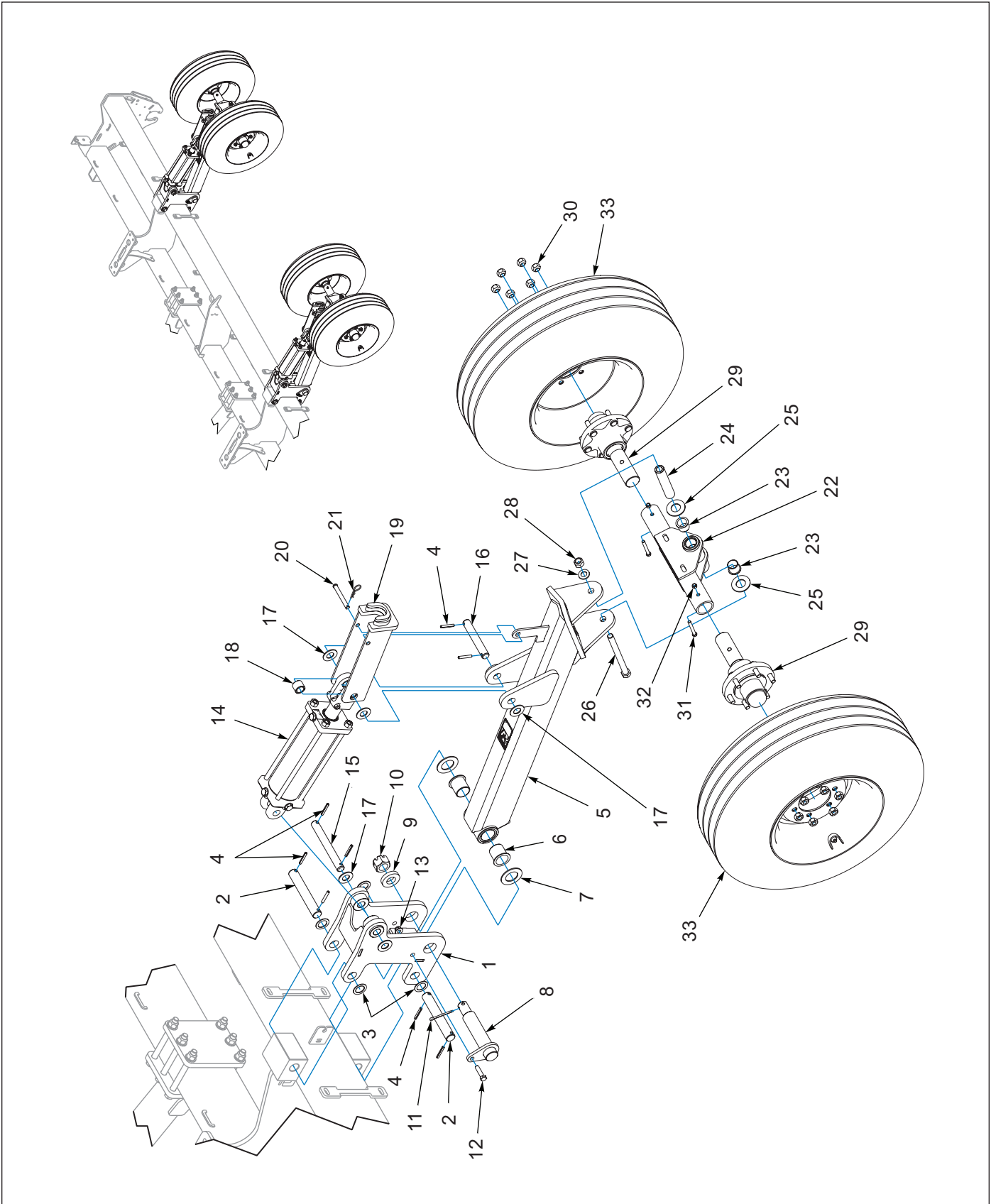


Figure 1-12: Wheel Arms

Wheel Arms

ITEM	PART NUMBER	DESCRIPTION	QTY
1	238875	BRACKET, WHEEL ARM WLD	2
2	6J779	PIN (1-1/4 X 8)	4
3	4J548	MACH BUSH, 1.25 X 1.875 X 14GA	8
4	147072	PIN, SPRING SLOTTED 5/16 X 2	16
5	241343	WHEEL ARM WLD	2
6	164533	BEARING, FLANGE 1-3/4	2
7	164539	WASHER, THRUST 1-3/4	4
8	219203	STEP PIN, WHL ARM WLD	2
9	188049	WASHER, 1.28 X 2.5 X 0.5	2
10	2P744	NUT, HEX SLOT THK 1-1/4-12, YZP	2
11	1-557-010362-65	PIN COTTER, 1/4 X 2-1/2, ZP	2
12	1-654-010055-05	SCREW, HEX CAP, 1/2-13UNC X 2, GR5	2
13	2P253	NUT, FLANGE NY-LOK, 1/2-13	2
14	167308	CYLINDER 4 X 10-3000 PSI BLACK (SEE PAGE 1-105)	2
15	2P362	PIN, 1.0 X 8.75 H2	2
16	6J580	PIN (1 X 6-1/2)	2
17	199977	WASHER, SS 1.0 X 2.0 X 11 GA	10
18	9J278	SPACER	2
19	241283	TRANSPORT LOCK	2
20	1408092	CLEVIS PIN, 1/2 X 4	2
21	6J448	HAIR PIN COTTER, 1/8	2
22	219196	TRUNNION, SPINDLE	2
23	219179	BEARING, IGUS FLANGE 1-1/4	4
24	219180	TUBE, RND SS 0.75 X 1.25	2
25	204752	WASHER, THRUST 1-1 /4 X 2-1/2, 10GA	4
26	1-654-010061-23	SCREW, HEX CAP 3/4-10UNC X 9, GR5	2
27	1-861-010032-20	WASHER, FLT 3/4 SAE, ZP	2
28	1-512-010005-15	NUT, LOCK 3/4-10, GRB, ZP	2
29	147552	HUB AND SPINDLE, 6 BOLT (INCLUDES ITEM 30) (SEE PAGE 1-22)	4
30	210606	WHEEL NUT, 9/16-18UNF	24
31	1-654-010051-13	HHCS, 3/8-16 X 3.GR5, ZP	4
32	1-512-010005-05	NUT, HEX SLFLKG GRB 3/8-16	4
33	6K928	WHEEL 8J791/NO TUBE/9D135 (SEE PAGE 1-23)	4

ILLUSTRATED PARTS LIST

Hub and Spindle Assembly

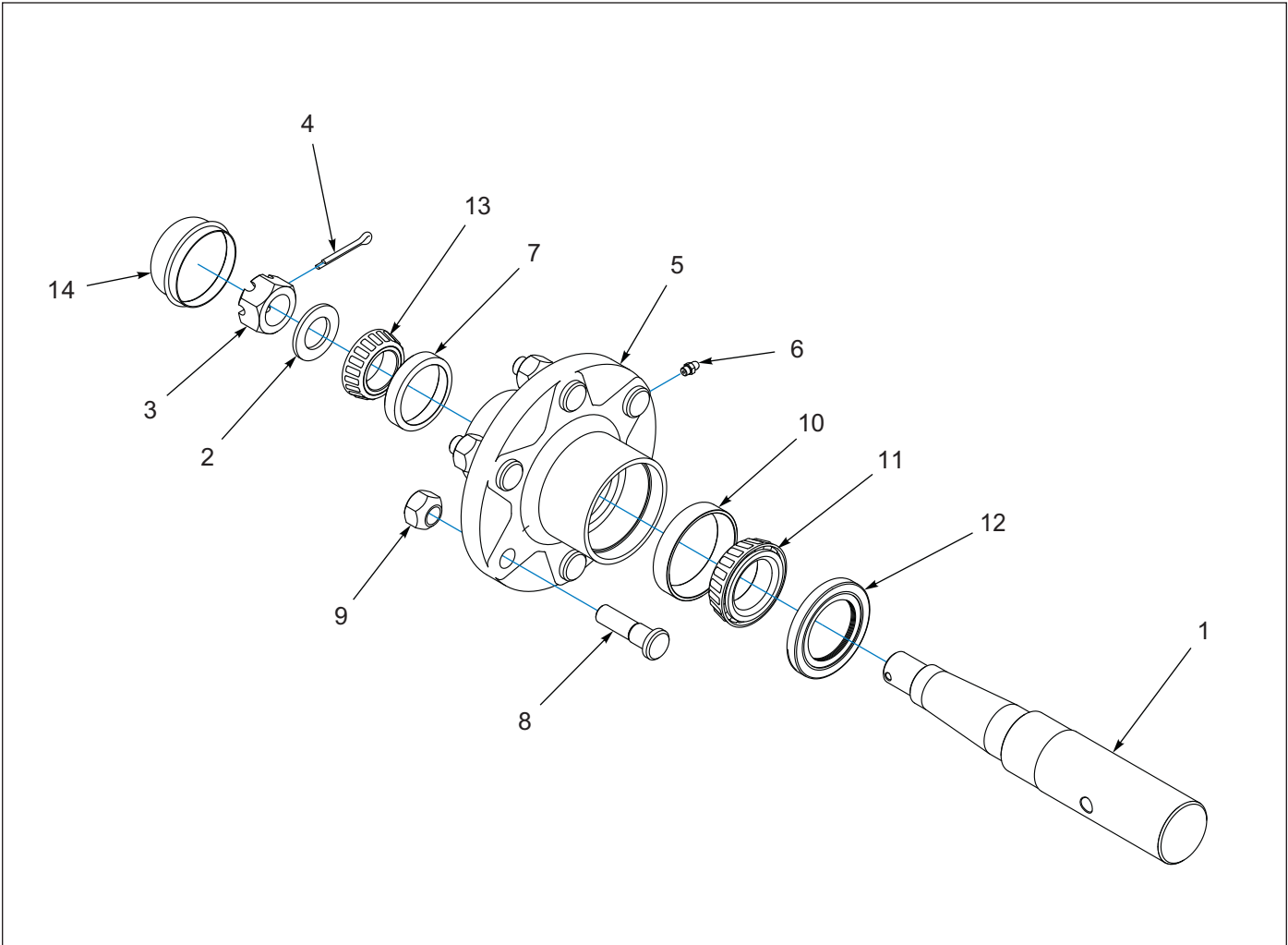


Figure 1-13: Hub and Spindle Assembly

Hub and Spindle Assembly

ITEM	PART NUMBER	DESCRIPTION	QTY
	147552	6 BOLT HUB ASM, 2" SPINDLE	1
1	141197	SPINDLE, 2 IN	1
2	141238	WASHER, SPINDLE	1
3	1-516-010001-20	NUT, SLTD HEX, 1-1/4 UNS	1
4	1-557-010362-51	PIN, COTTER, 3/16 X 1-1/2	1
5	140645	HUB W/CUPS, SIX BOLT (INCLUDES ITEMS 6 - 10)	1
6	1-298-010001-1	ZERK FITTING, 1/4-28	1
7	1-076-010010	OUTER CUP	1
8	143066	STUD BOLT, 9/16-18	6
9	210606	WHEEL NUT, 9/16-18UNF	6
10	102604	INNER CUP	1
11	102498	BORE BEARING CONE, OUTER 1.625	1
12	140554	SEAL, GREASE	1
13	1-076-010007	INNER CONE BEARING	1
14	141236	DUST CAP, WHEEL HUB	1
15	141866	HUB ASSY SIX BOLT (KIT INCLUDES ITEMS 5 - 14)	1

Wheel and Tire Assembly

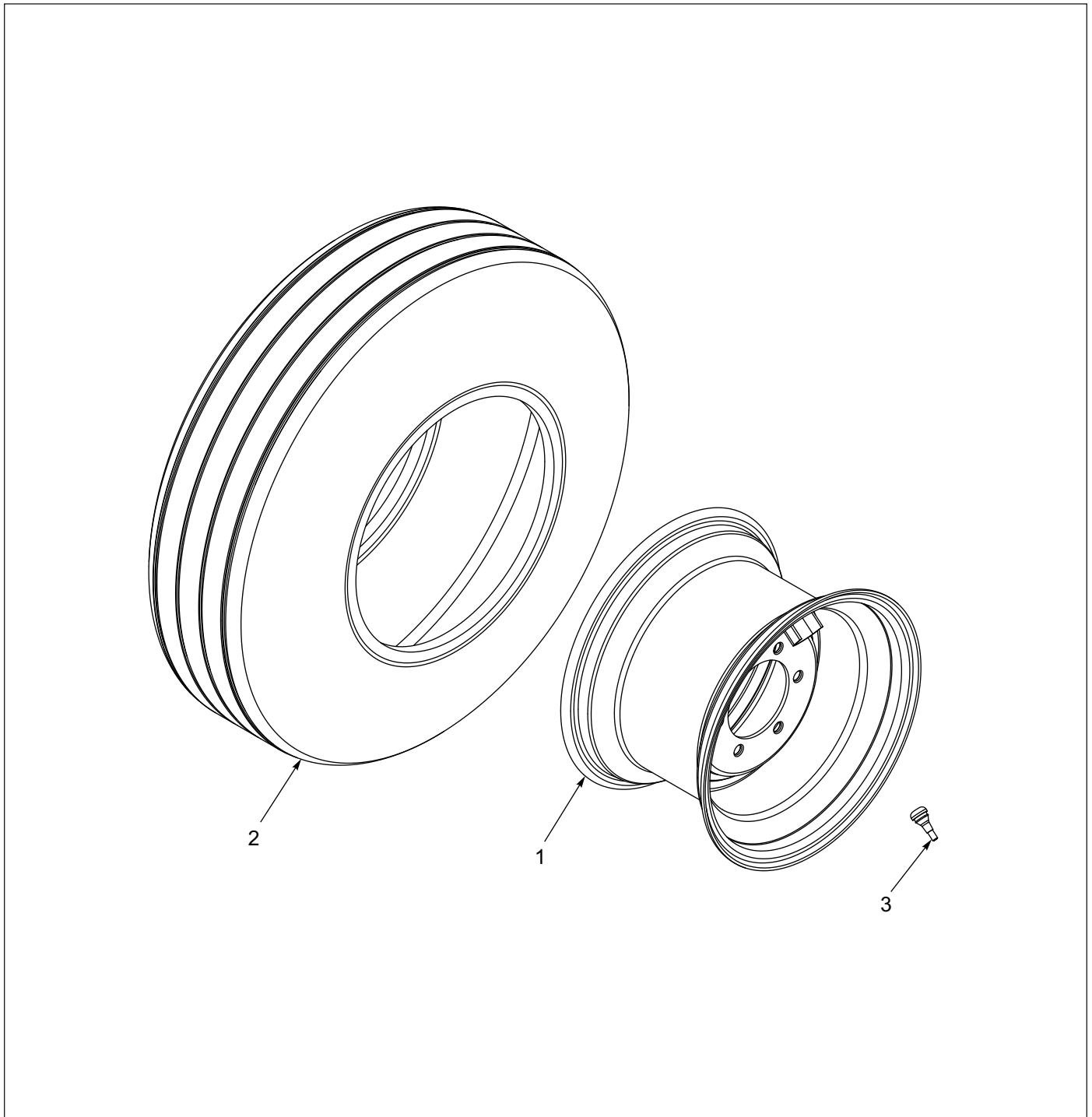


Figure 1-14: Wheel and Tire Assembly

Wheel and Tire Assembly

ITEM	PART NUMBER	DESCRIPTION	QTY
	6K928	WHEEL 8J791/NO TUBE/9D135	1
1	9D135	WHEEL, W15 X 10LB	1
2	8J791	TIRE, 11L X 15-12PLY	1
3	415	VALVE STEM	1

ILLUSTRATED PARTS LIST

Single Seed Box Walk Plank and SMV

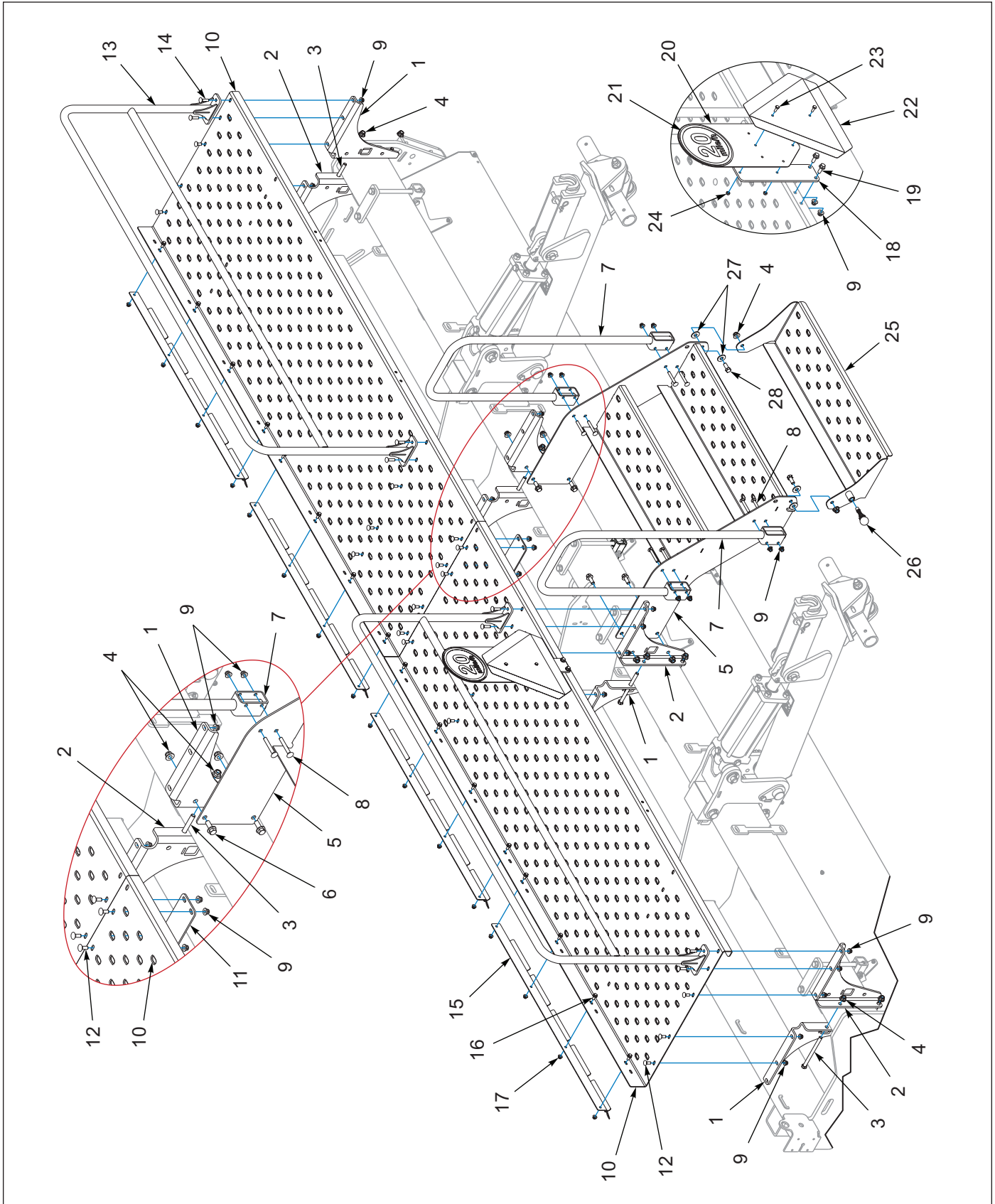


Figure 1-15: Single Seed Box Walk Planks and SMV

Single Seed Box Walk Planks and SMV

ITEM	PART NUMBER	DESCRIPTION	QTY
1	242459	BRACKET,WALK PLANK	4
2	242460	BRACKET,WALK PLANK	4
3	1-654-010055-18	SCREW HX CP,1/2-13UNCX6-1/2G5	8
4	2P253	NUT, FLANGE NY-LOK 1/2-13	14
5	242462	STEP WELDMENT	1
6	1-655-010001-2	SCREW,FLG HD 1/2-13X1-1/4 GR8	4
7	242465	RAILING,STEP WELDMENT	2
8	111361	SCREW RDHDSQNK3/8-16UNCX2-3/4	8
9	2P252	NUT, FLANGE NY-LOK 3/8-16	38
10	242461	WALK PLANK	2
11	242457	STRAP,WALK PLANK	1
12	111276	SCREW RDHD SQNK 3/8-16X1 GR5	20
13	218286	RAILING WLDMT	2
14	195009	SCREW,RD HD 3/8-16X1-1/2 GR5	8
15	242468	GUIDE,HOSE	4
16	144268	SCREW 5/16-18UNCX3/4FLG HD ZP	16
17	234112	NUT,FLANGE NY-LOK 5/16-18	16
18	241337	MOUNT,SMV	1
19	1-655-010003-05	SCREW,FLANGE HD 3/8-16X1 GR8	6
20	224590	MOUNT, SIS DECAL	1
21	224589	DECAL, SIS 20 MILE/H	1
22	70260977	SMV EMBLEM	1
23	1-654-010047-04	SCREW,HEX CAP,1/4-20X3/4 GR5	2
24	1-512-010005-01	NUT,HEX,SLFLKG GRB 1/4-20	2
25	244078	STEP,FLIP-DOWN WLD	1
26	3P284	PULL PIN, 1/2 BALL HANDLE	1
27	1-861-010032-15	WASHER, FLAT 1/2 W ZP/CD	4
28	1-654-010055-02	SCREW 1/2-13UNCX1-1/4 CP GR5	2

ILLUSTRATED PARTS LIST

Double Seed Box 3-PT Hitch Walk Planks and SMV

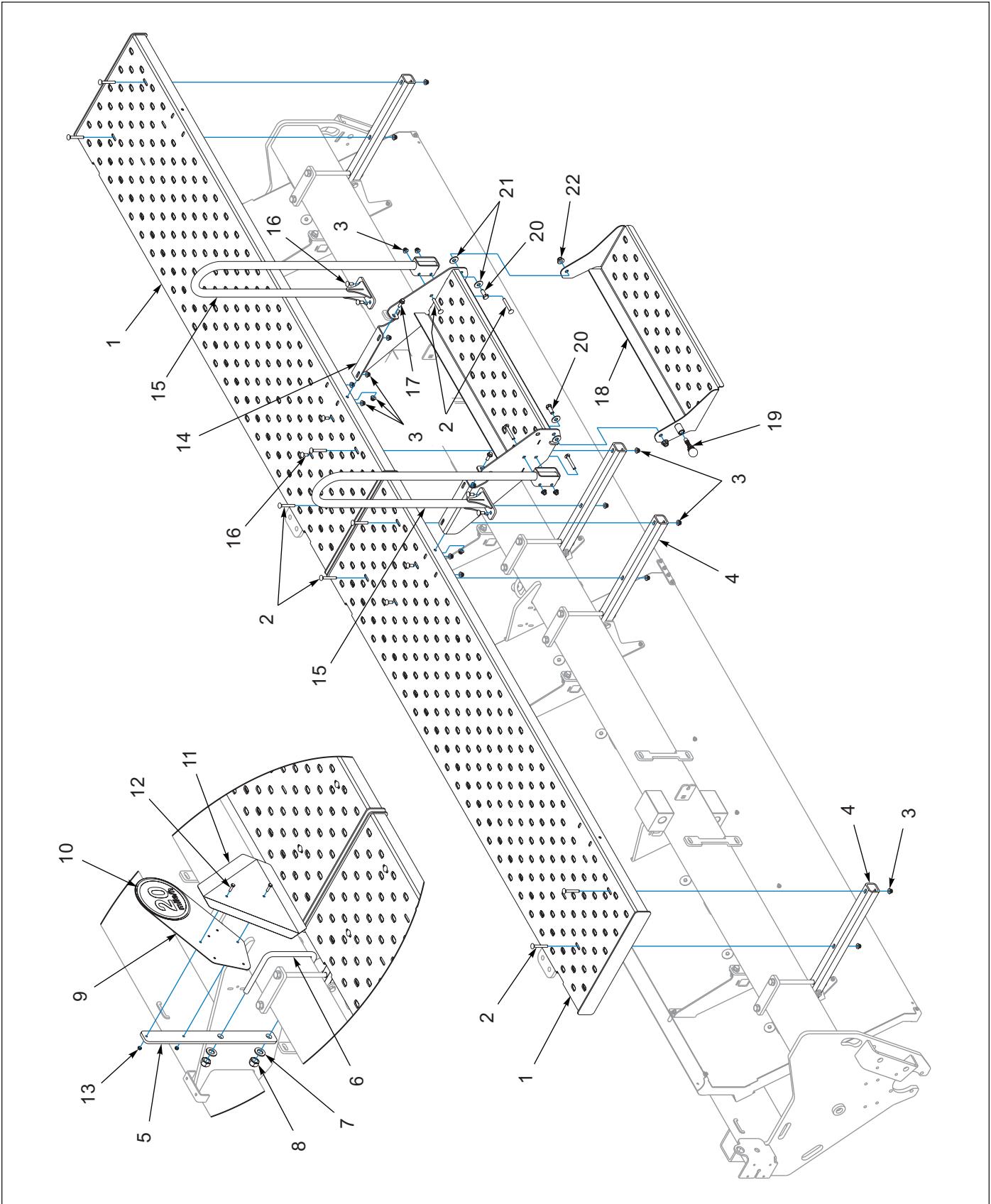


Figure 1-16: Double Seed Box 3-PT Hitch Walk Planks and SMV

Double Seed Box 3-PT Hitch Walk Planks and SMV

ITEM	PART NUMBER	DESCRIPTION	QTY
1	242473	WALK PLANK	2
2	111361	SCREW RDHDSQNK3/8-16UNCX2-3/4	12
3	2P252	NUT, FLANGE NY-LOK 3/8-16	22
4	241353	TUBE,WALK PLANK MOUNTING	4
5	242476	MOUNT,SMV	1
6	3K176	U-BOLT 3/4-10 X 7-1/2 X 7-3/16	1
7	1-861-010032-20	WASHER, FLAT,3/4 N ZP/CD	2
8	1-512-010005-15	NUT,HEX,SLFLKG GRB 3/4-10	2
9	224590	MOUNT, SIS DECAL	1
10	224589	DECAL, SIS 20 MILE/H	1
11	70260977	SMV EMBLEM	1
12	1-654-010047-06	SCREW,HX CP 1/4-20UNCX1 GR5	10
13	1-512-010005-01	NUT,HEX,SLFLKG GRB 1/4-20	10
14	244074	STEP WELDMENT	1
15	244081	RAILING,STEP SLD	2
16	111276	SCREW RDHD SQNK 3/8-16X1 GR5	8
17	1-655-010003-05	SCREW,FLANGE HD 3/8-16X1 GR8	2
18	244078	STEP,FLIP-DOWN WLD	1
19	3P284	PULL PIN, 1/2 BALL HANDLE	1
20	1-654-010055-02	SCREW 1/2-13UNCX1-1/4 CP GR5	2
21	1-861-010032-15	WASHER, FLAT 1/2 W ZP/CD	4
22	2P253	NUT, FLANGE NY-LOK 1/2-13	2

Double Seed Box Drawbar Walk Planks, Wheel Arm Shields and SMV

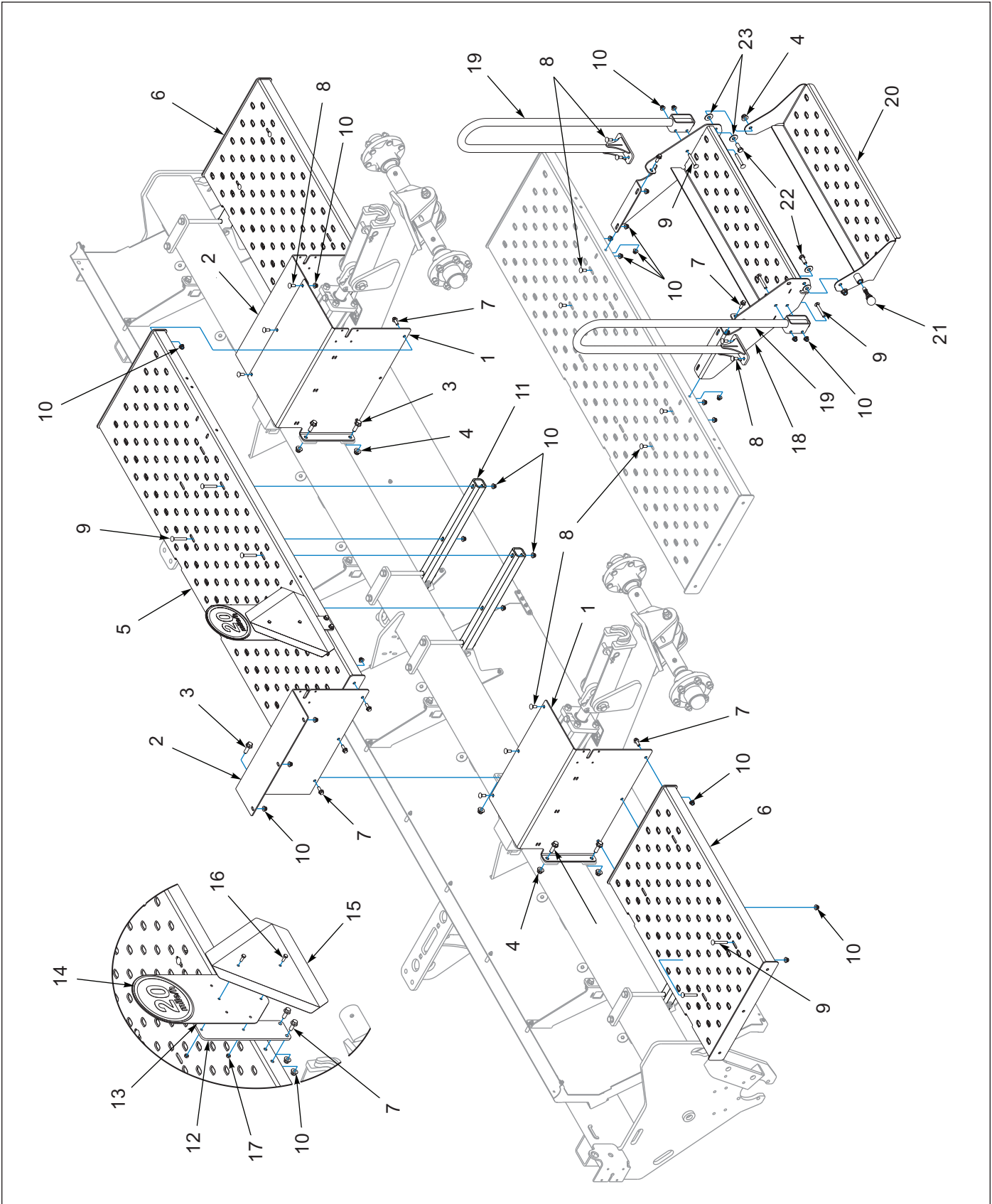


Figure 1-17: Double Seed Box Drawbar Walk Planks, Wheel Arm Shields and SMV

Double Seed Box Drawbar Walk Planks, Wheel Arm Shields and SMV

ITEM	PART NUMBER	DESCRIPTION	QTY
1	238871	SHIELD,LH WHEEL ARM	2
2	238872	SHIELD,RH WHEEL ARM	2
3	1-655-010001-3	SCREW, FLG HD 1/2-13X1-1/2	8
4	2P253	NUT, FLANGE NY-LOK 1/2-13	10
5	241347	PLANK,CENTER WALK	1
6	241346	PLANK,OUTER WALK	2
7	1-655-010003-05	SCREW,FLANGE HD 3/8-16X1 GR8	16
8	111276	SCREW RDHD SQNK 3/8-16X1 GR5	14
9	111361	SCREW RDHDSQNK3/8-16UNCX2-3/4	12
10	2P252	NUT, FLANGE NY-LOK 3/8-16	42
11	241353	TUBE,WALK PLANK MOUNTING	4
12	241337	MOUNT,SMV	1
13	224590	MOUNT, SIS DECAL	1
14	224589	DECAL, SIS 20 MILE/H	1
15	70260977	SMV EMBLEM	1
16	1-654-010047-04	SCREW,HEX CAP,1/4-20X3/4 GR5	2
17	1-512-010005-01	NUT,HEX,SLFLKG GRB 1/4-20	2
18	244074	STEP WELDMENT	1
19	244081	RAILING,STEP WLD	2
20	244078	STEP,FLIP-DOWN WLD	1
21	3P284	PULL PIN, 1/2 BALL HANDLE	1
22	1-654-010055-02	SCREW 1/2-13UNCX1-1/4 CP GR5	2
23	1-861-010032-15	WASHER, FLAT 1/2 W ZP/CD	4

Front Seed Box to Frame

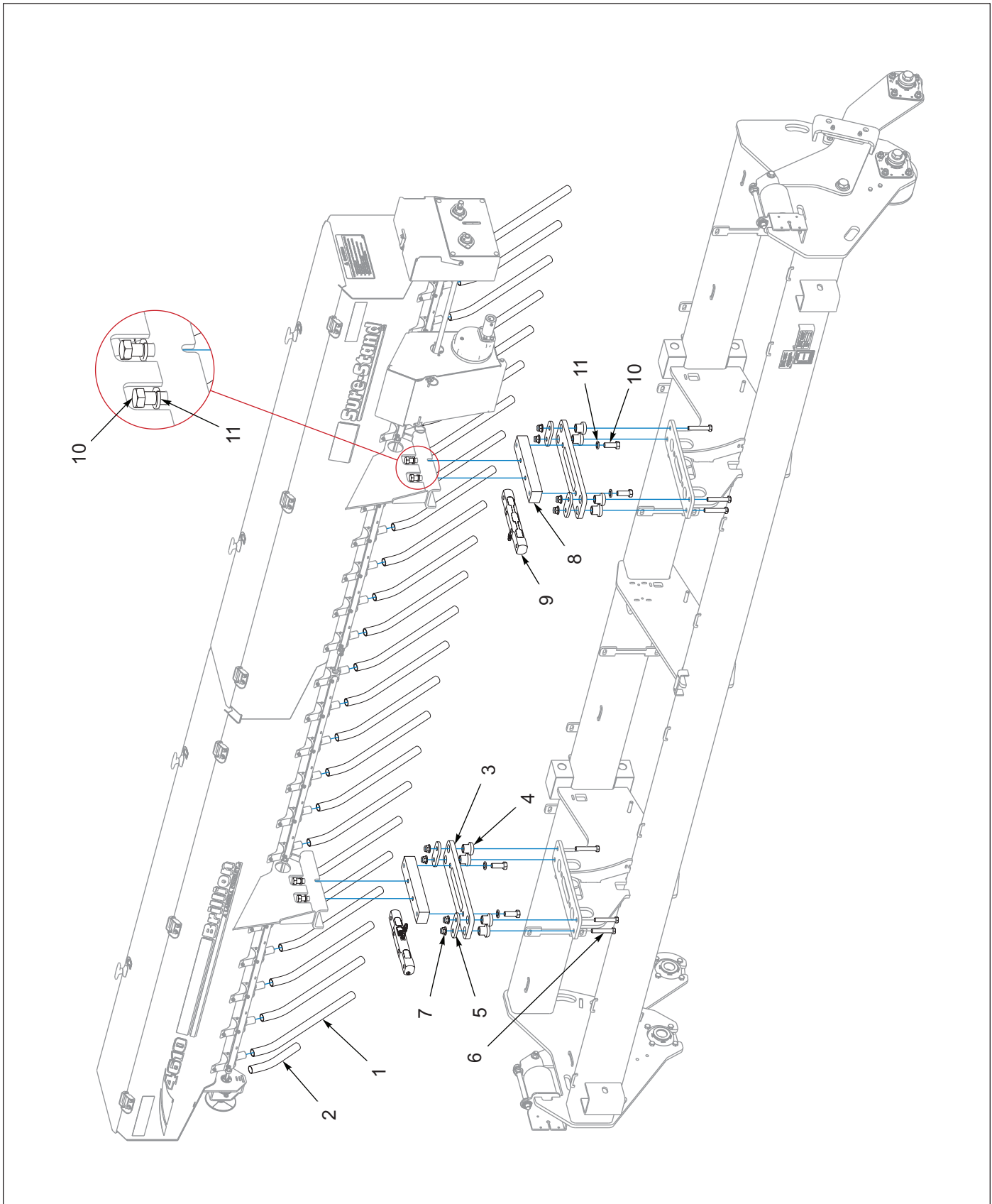


Figure 1-18: Front Seed Box to Frame

Front Seed Box to Frame

ITEM	PART NUMBER	DESCRIPTION	QTY
1	242456	HOSE, 1-1/4 OD X 1"ID X 23-1/2 (SINGLE SEED BOX)	24
2	241367	HOSE, 1-1/4 OD X 1"ID X 10-1/2 (DOUBLE SEED BOX)	24
3	238873	PLATE, SEEDBOX MOUNTING	2
4	219175	ISOLATOR, VIBRATION	8
5	219173	SPACER	4
6	1-654-010059-11	SCREW, HX CP 5/8-11UNCX3.5GR5	8
7	2P254	NUT, FLANGE NY-LOK 5/8-11	8
8	200997	BLOCK SEED BOX SPACER	2
9	200996	LOAD CELL, 5000# (OPTIONAL)	2
10	1-654-010061-05	SCREW, HX CP 3/4-10UNC X 2	8
11	1-861-010034-17	WASHER, LKG, HLCL SPR, 3/4	8

ILLUSTRATED PARTS LIST

Clutch Transmission

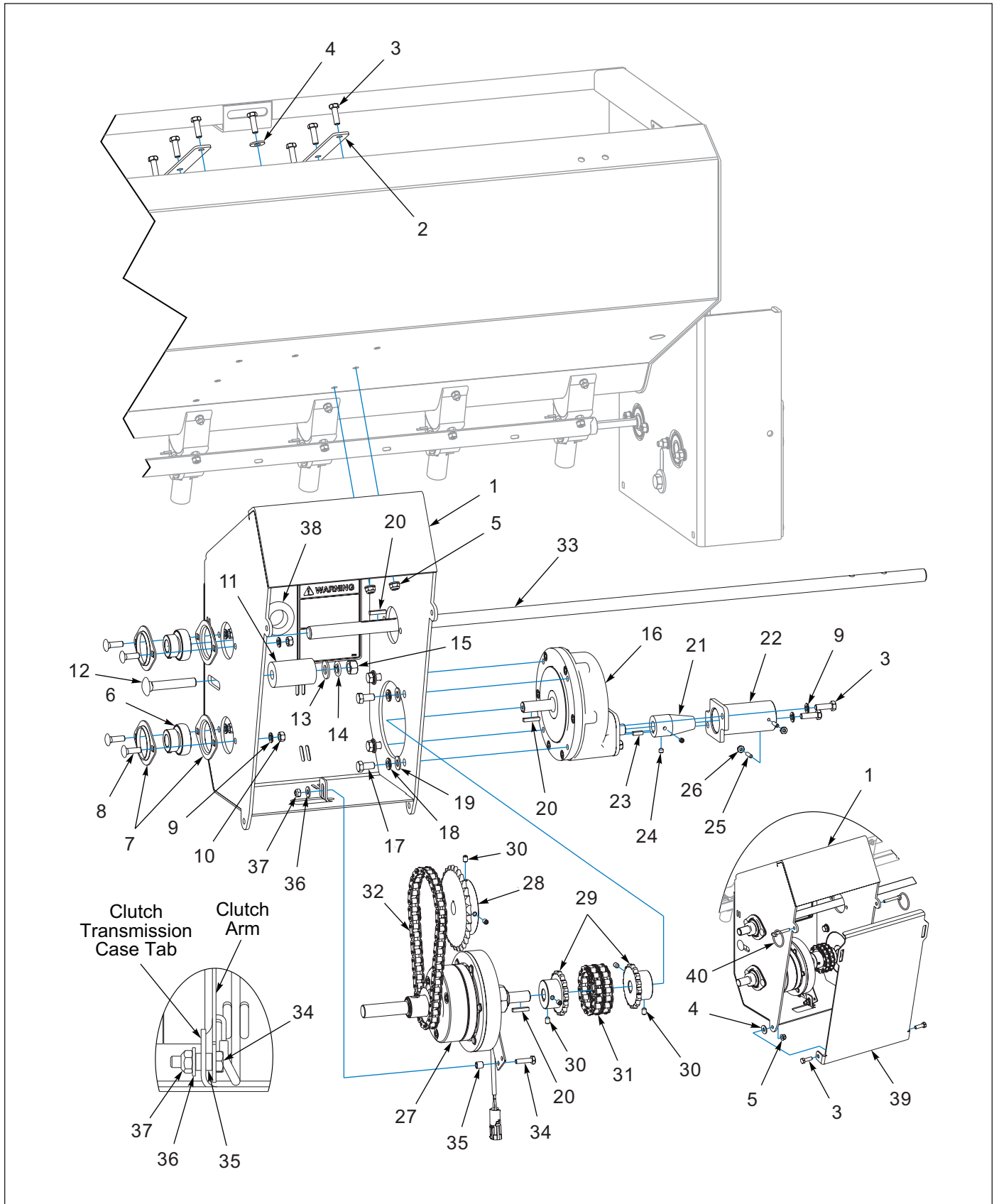


Figure 1-19: Clutch Transmission

Clutch Transmission

ITEM	PART NUMBER	DESCRIPTION	QTY
1	241015	CASE,CLUTCH TRANSMISSION	1
2	212483	PLATE, TRANSMISSION SUPPORT	2
3	1-654-010049-05	SCREW, HX CP 5/16-18UNC X 1, GR5	11
4	130007	WASHER, 5/16 W PL FLAT S/S	3
5	234112	NUT,FLANGE NY-LOK 5/16-18	9
6	1D598	BEARING & COLLAR, 3/4"	2
7	2K503	FLANGETTE HALF, 2 BLT	4
8	104031	SCREW,RDHD,SQNK 5/16-18X1 GR5	4
9	1-861-010034-10	WASHER, LKG 5/16	6
10	1-512-010007-06	NUT, HEX 5/16-18	4
11	228558	IDLER, 1-1/2 X 2-1/2	1
12	1-654-010070-09	SCREW RDHD 1/2-13X3 GR 5 SQ NK	1
13	1-861-010032-14	WASHER, FLAT 1/2" N ZP/CD	1
14	1-861-010034-13	WASHER, LKG HLCL SPR, 1/2	1
15	1-512-010007-09	NUT, HEX 1/2-13 GR2 ZP	1
16	214109	SPEED REDUCER 1:4	1
17	1-654-010051-03	SCREW, HEX CAP, 3/8-16UNC X 3/4, GR5	4
18	1-861-010034-11	WASHER, LKG HLCL SPR, 3/8	4
19	1-861-010032-10	WASHER, FLT 3/8 SAE	4
20	119199	KEY, SQ 0.188 X 1.0	3
21	210965	ADAPTER, FLEX DRIVE	1
22	214112	ADAPTER, FLEX DRIVE	1
23	214110	KEY, SQ 0.188 X 0.60	1
24	118636	SCREW, SSSH FT PT, 1/4-20 X 1/4	2
25	210993	SCREW, SET, FTPT 10-24 X 3/4	2
26	1-512-010007-03	NUT HEX 10-24	2
27	214119	CLUTCH SHAFT ASSEMBLY (SEE PAGE 1-34)	1
28	210962	SPROCKET, #40 X 30T (INCLUDES ITEM 30)	1
29	210991	COUPLER, #40 CHAIN W/SET SCREW (INCLUDES ITEM 30)	2
30	124032	SCREW SETHXSKTFTPT1/4-20X3/8Z	6
31	210992	CHAIN, #40-2 X 16 PITCHES W/CONN	1
32	2P088	ROLLER CHAIN, #40 X 46 PITCHES	1
33	238876	SHAFT, CLUTCH TRANSMISSION	1
34	1-654-010047-06	SCREW, HX CP 1/4-20UNC X 1, GR5	1
35	210961	SPACER .277 X .375 X .375	1
36	1-861-010043-06	WASHER, FLAT 1/4 N SS	1
37	1-512-010005-01	NUT, HEX LOCK 1/4-20, GRB	1
38	237-2308-012	GROMMET	1
39	241352	SHIELD,CLUTCH TRANY	1
40	1-557-010327	PIN LYNCH 1/4X1-1/4	2

Clutch and Shaft Assembly

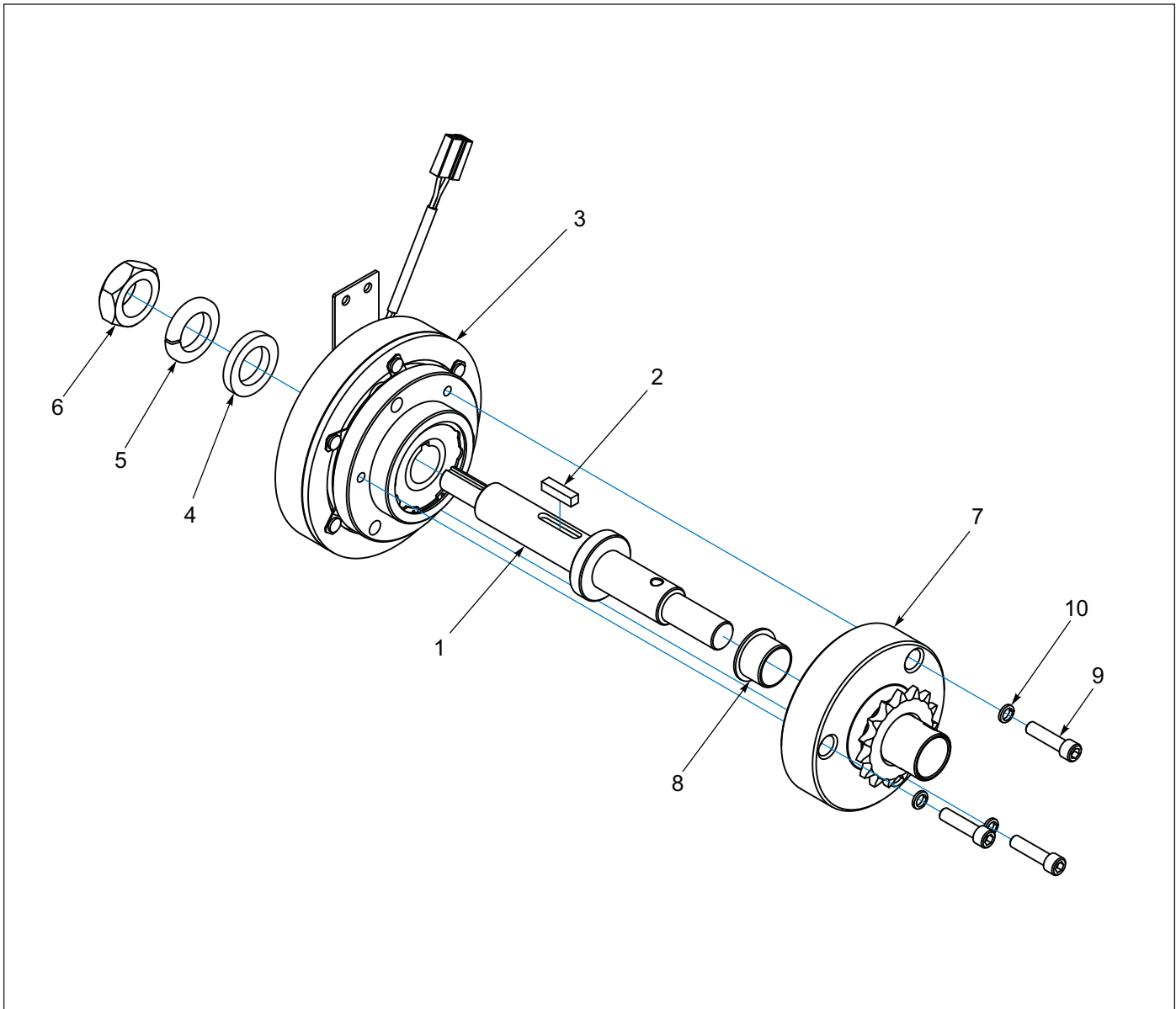


Figure 1-20: Clutch and Shaft Assembly

Clutch and Shaft Assembly

ITEM	PART NUMBER	DESCRIPTION	QTY
	214119	CLUTCH AND SHAFT ASSEMBLY	1
1	214118	SHAFT, CLUTCH	1
2	110-4336	KEY, 1/4 SQ X 1 LG	1
3	214144	CLUTCH ASSEMBLY	1
4	214120	WASHER, 1.03 X 1.625 X .25	1
5	1-861-010034-21	WASHER, LKG HEL SPRG 1IN	1
6	W915092-4	NUT, JAM 1-12 UNF	1
7	214117	HUB, CLUTCH DRIVE SPKT WLD	1
8	214067	BEARING, FLANGE 1.0 X 1.125 X 0.75	1
9	214143	SHCS, 5/16-18 X 1.25	3
10	214142	WASHER, HI COLLAR LOCK 5/16	3

ILLUSTRATED PARTS LIST

Front Seed Box Seed Shaft

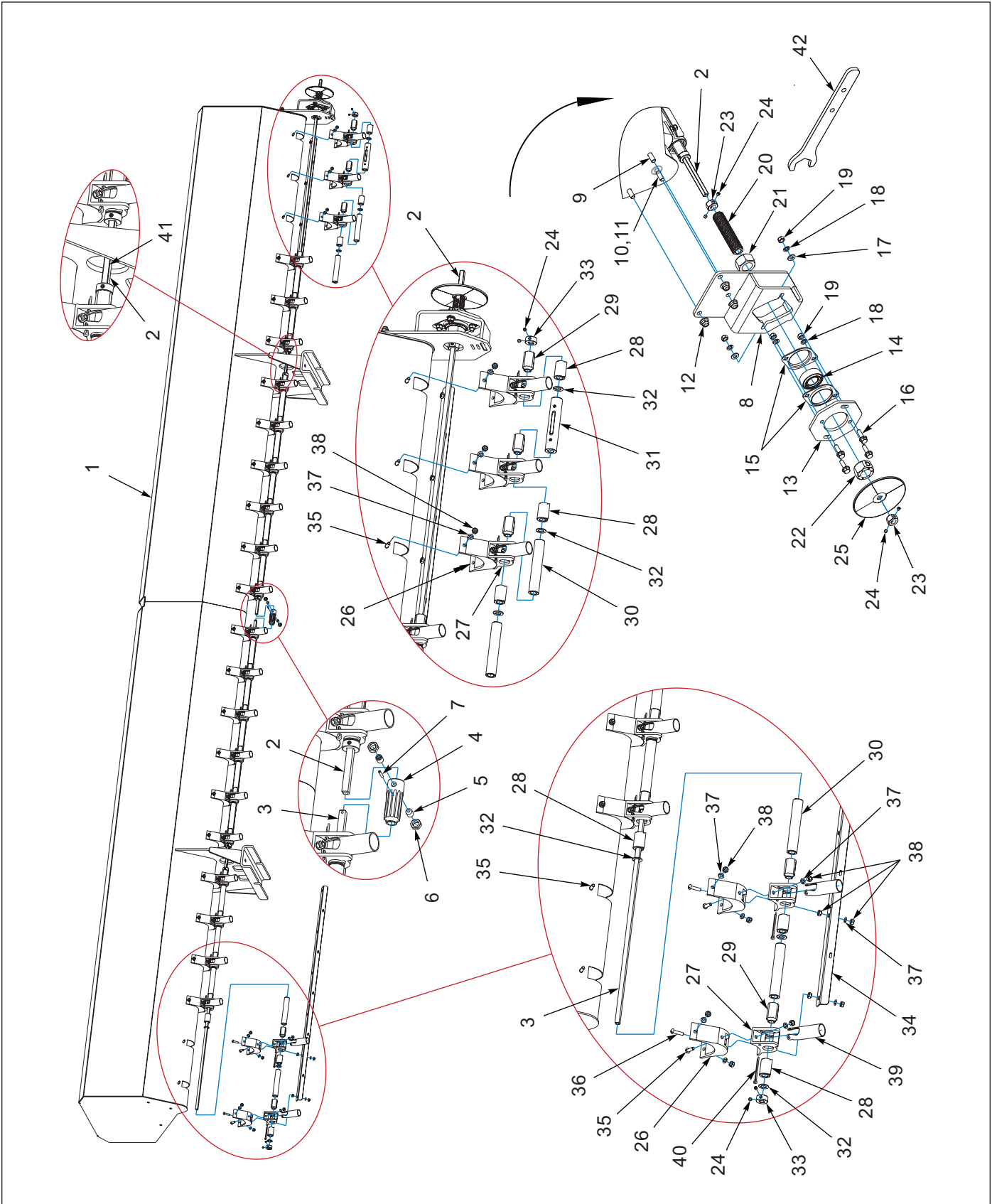


Figure 1-21: Front Seed Box Seed Shaft

Front Seed Box Seed Shaft

ITEM	PART NUMBER	DESCRIPTION	QTY
1	212557	SEEDBOX, 20 BUSHEL, 16 FT	1
2	214027	SEEDSHAFT, RH 3/8, SQ	1
3	214026	SEEDSHAFT, LH 3/8, SQ	1
4	1K138	FEED ROLL COUPLING ASSEMBLY (INCLUDES ITEMS 5,6)	1
5	122709	SET SCREW, 3/8-16 X 1/2 CUP PT, ZP	2
6	1-511-010001-03	NUT, HEX JAM 3/8-16, ZP	2
7	1C272	ROLL PIN, 1/8 X 3/4, ZP	1
8	209813	BRACKET, SEED RATE ADJUSTER	1
9	1-655-010003-05	1-655-010003-05	2
10	1-655-010003-06	SCREW FLG HD 3/8-16X1-1/4 GR8	1
11	1-861-010032-11	WASHER, FLAT 3/8 W ZP/CD	1
12	2P252	NUT, FLANGE NY-LOK, 3/8-16	3
13	5K968	BEARING CARRIER	1
14	238886	BEARING 1" (AFTER 01/2024)	1
14	4D413	BEARING (1" BORE) (OBSOLETE AFTER 01/2024, REPLACE WITH 238886)	1
15	1D617	FLANGETTE HALF, 2 BLT	2
16	226769	SCREW,FLG HD 5/16-18X1,GR5,ZP	4
17	1-861-010032-08	WASHER, FLAT 5/16 STD, ZP	2
18	1-861-010034-10	WASHER, LKG 5/16	4
19	1-512-010007-06	NUT, HEX 5/16-18	4
20	4D401	ADJUSTING SCREW	1
21	1-512-010007-14	NUT, HEX 1-8, ZP	1
22	4D402	SEED RATE ADJUSTING NUT	1
23	200964	ADJUSTER COLLAR W/SET SCREW (INCLUDES ITEM 24)	2
24	118636	SCREW, SSSH FT PT, 1/4-20 X 1/4	14
25	218294	PIN WHEEL, ASM	1
26	6K201	SEED CUP ADAPTER	24
27	155874	METER, PLASTIC CUP	24
28	155871	METER, FEED CUT OFF	24
29	155873	METER, FEED ROLL	23
30	212560	SPACER, 0.563 X 0.875 X 5.025	19
31	234460	SPACER W/MAGNET,5.025	1
32	214103	THRUST WASHER, 7/8 X 1/2 X .06	24
33	209830	COLLAR, 3/8 SQ BORE	7
34	214028	SUPPORT, 6 METERS, 8" SP	4
35	1C357	RND HD, 1/4-20 X 3/4, ZP	72
36	108787	SCREW, RD HD MACH 1/4-20 X 1	24
37	1-861-010034-09	WASHER, LKG HLCL SPR, 1/4	96
38	1-512-010007-05	NUT, HEX 1/4-20	120
39	234505	DROP TUBE,SEED METER	24
40	110-4216	PIN, COTTER 5/32 X 2, ZP	24
41	9J429	DECAL, REFLECTIVE	2
42	5K319	WRENCH, 1-1/2"	2

Single Box End Transmission

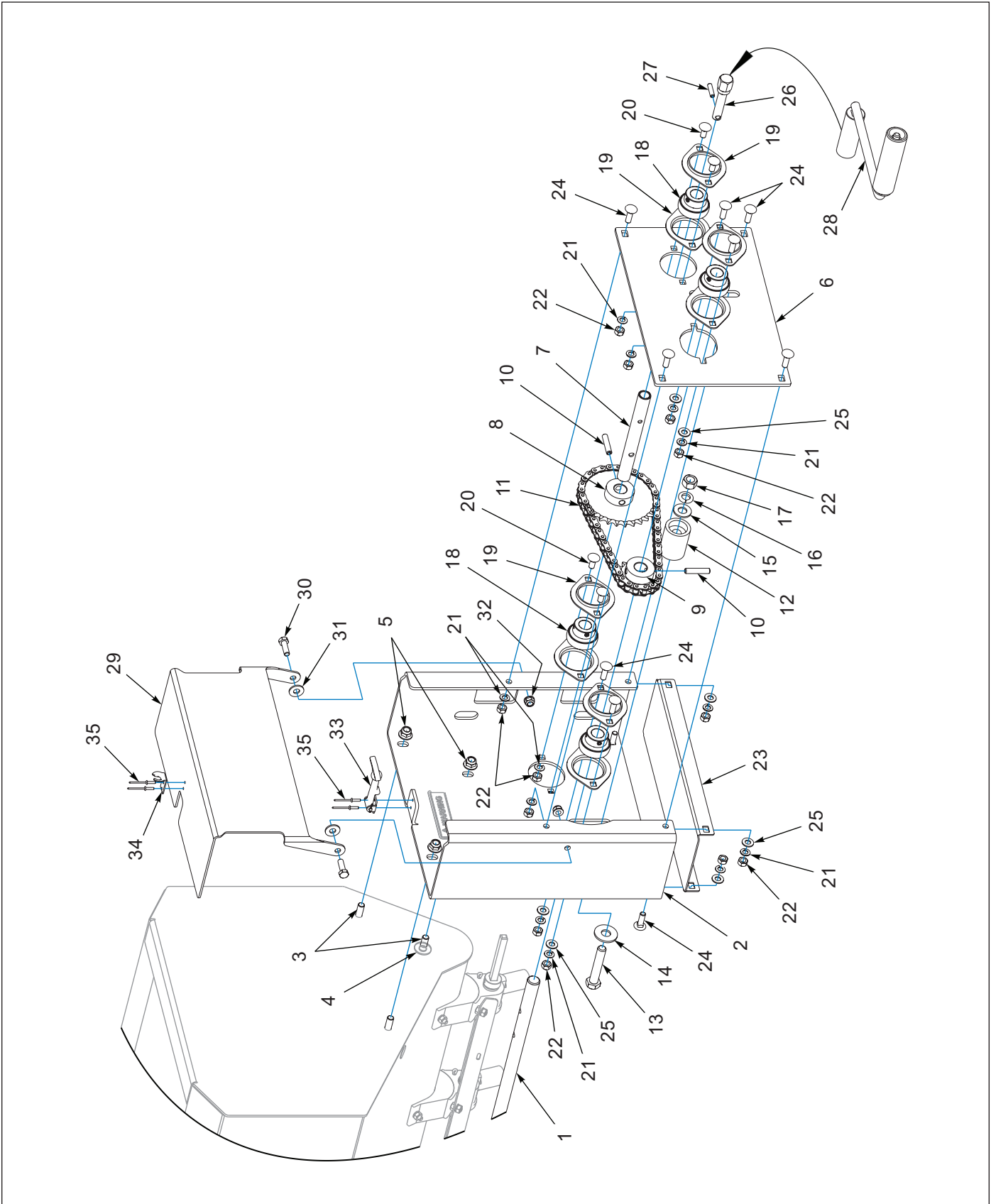


Figure 1-22: Single Box End Transmission

Single Box End Transmission

ITEM	PART NUMBER	DESCRIPTION	QTY
1	238876	SHAFT, TRANSMISSION CLUTCH	1
2	238898	CASE,SEED METER TRANSMISSION	1
3	1-655-010003-05	SCREW,FLANGE HD 3/8-16X1 GR8	3
4	1-861-010032-11	WASHER, FLAT 3/8 W ZP/CD	1
5	2P252	NUT, FLANGE NY-LOK, 3/8-16	3
6	238897	PLATE,TRANSMISSION END	1
7	241290	DRIVE TUBE	1
8	214160	SPROCKET, #40B 28T X 3/4 BORE	1
9	210964	SPROCKET, #40, 15T	1
10	1-647-010004236	SPRING PIN, SLOTTED 5/16 X 1-1/2	2
11	205301	ROLLER CHAIN, #40 X 48 PITCHES	1
12	241291	IDLER, 1-1/2 X 2	1
13	101510	SCREW HXCP1/2-13UNCX2-3/4 GR5	1
14	1-861-010032-15	WASHER, FLAT 1/2 W ZP/CD	1
15	1-861-010032-14	WASHER, FLT 1/2 SAE,ZP	1
16	1-861-010034-13	WASHER, LOCK 1/2, ZP	1
17	1-512-010007-09	NUT, HEX 1/2-13, ZP	1
18	1D598	BEARING & COLLAR, 3/4"	4
19	2K503	FLANGETTE HALF, 2 BLT	8
20	105909	SCREW, RDHD, SQNCK, 5/16-18 X 3/4	4
21	1-861-010034-10	WASHER, LKG 5/16	14
22	1-512-010007-06	NUT, HEX 5/16-18	14
23	238859	SHIELD,TRANX BOTTOM	1
24	104031	SCREW,RDHD,SQNK 5/16-18X1 GR5	10
25	1-861-010032-08	WASHER,FLAT 5/16 N ZP	8
26	214114	CALIBRATION SHAFT	1
27	0600-250-01000	ROLL PIN, 1/4 X 1, ZP	1
28	218254	CALIBRATION CRANK ASM (SEE PAGE 1-50)	1
29	238858	SHIELD,TRANX TOP	1
30	1-654-010049-05	SCREW HX CP 5/16-18UNCX1 GR5	2
31	130007	WASHER, 5/16 W PL FLAT S/S	2
32	234112	NUT,FLANGE NY-LOK 5/16-18	2
33	191376	LATCH,3" RUBBER	1
34	7K345	LATCH CLIP	1
35	51365-4	RIVET BLIND DOME AL 1/8X.515	4

Double Box End Transmission

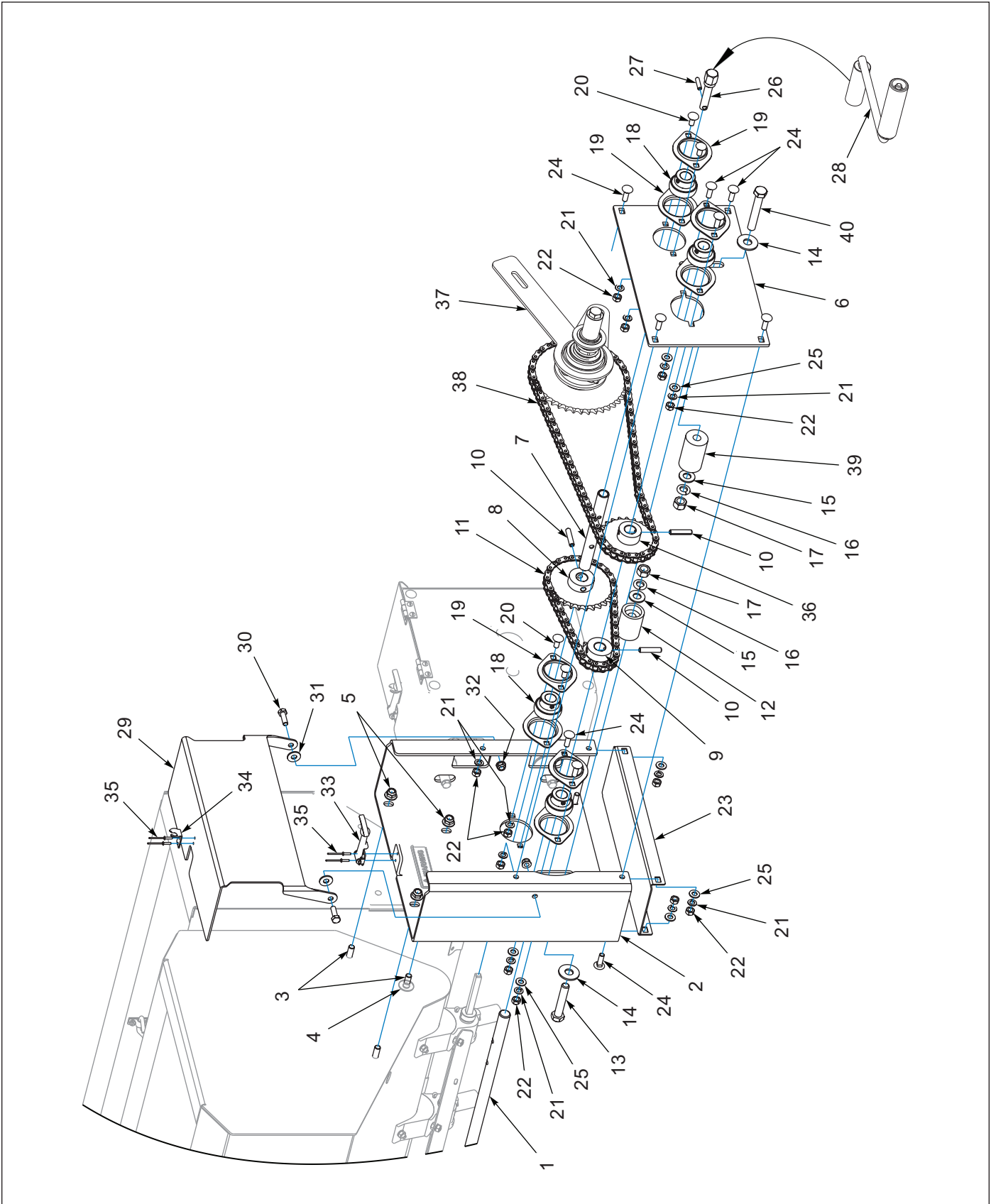


Figure 1-23: Double Box End Transmission

Double Box End Transmission

ITEM	PART NUMBER	DESCRIPTION	QTY
1	238876	SHAFT, TRANSMISSION CLUTCH	1
2	238898	CASE,SEED METER TRANSMISSION	1
3	1-655-010003-05	SCREW,FLANGE HD 3/8-16X1 GR8	3
4	1-861-010032-11	WASHER, FLAT 3/8 W ZP/CD	1
5	2P252	NUT, FLANGE NY-LOK, 3/8-16	3
6	238897	PLATE,TRANSMISSION END	1
7	241290	DRIVE TUBE	1
8	214160	SPROCKET, #40B 28T X 3/4 BORE	1
9	210964	SPROCKET, #40, 15T	1
10	1-647-010004236	SPRING PIN, SLOTTED 5/16 X 1-1/2	2
11	205301	ROLLER CHAIN, #40 X 48 PITCHES	1
12	241291	IDLER, 1-1/2 X 2	1
13	101510	SCREW HXCP1/2-13UNCX2-3/4 GR5	1
14	1-861-010032-15	WASHER, FLAT 1/2 W ZP/CD	2
15	1-861-010032-14	WASHER, FLT 1/2 SAE,ZP	2
16	1-861-010034-13	WASHER, LOCK 1/2, ZP	2
17	1-512-010007-09	NUT, HEX 1/2-13, ZP	2
18	1D598	BEARING & COLLAR, 3/4"	4
19	2K503	FLANGETTE HALF, 2 BLT	8
20	105909	SCREW, RDHD, SQNCK, 5/16-18 X 3/4	4
21	1-861-010034-10	WASHER, LKG 5/16	14
22	1-512-010007-06	NUT, HEX 5/16-18	14
23	238859	SHIELD,TRANX BOTTOM	1
24	104031	SCREW,RDHD,SQNK 5/16-18X1 GR5	10
25	1-861-010032-08	WASHER,FLAT 5/16 N ZP	8
26	214114	CALIBRATION SHAFT	1
27	0600-250-01000	ROLL PIN, 1/4 X 1, ZP	1
28	218254	CALIBRATION CRANK ASM (SEE PAGE 1-50)	1
29	238858	SHIELD,TRANX TOP	1
30	1-654-010049-05	SCREW HX CP 5/16-18UNCX1 GR5	2
31	130007	WASHER, 5/16 W PL FLAT S/S	2
32	234112	NUT,FLANGE NY-LOK 5/16-18	2
33	191376	LATCH,3" RUBBER	1
34	7K345	LATCH CLIP	1
35	51365-4	RIVET BLIND DOME AL 1/8X.515	4
36	210964	SPROCKET, #40, 15T (AFTER 01/01/2024)	2
36	9D854	SPROCKET-23 TOOTH (BEFORE 01/01/2024)	2
37	238860	CLUTCH ASM, MANUAL (SEE PAGE 1-48)	1
38	222843	ROLLER CHAIN,#40 X 89 PITCHES (AFTER 01/01/2024)	2
38	241292	ROLLER CHAIN,#40X92 PITCHES (BEFORE 01/01/2024)	2
39	228558	IDLER, 1-1/2 X 2-1/2	1
40	1-654-010055-10	SCREW HEX CAP 1/2-13X3-1/4GR5	1

Rear Box Mount

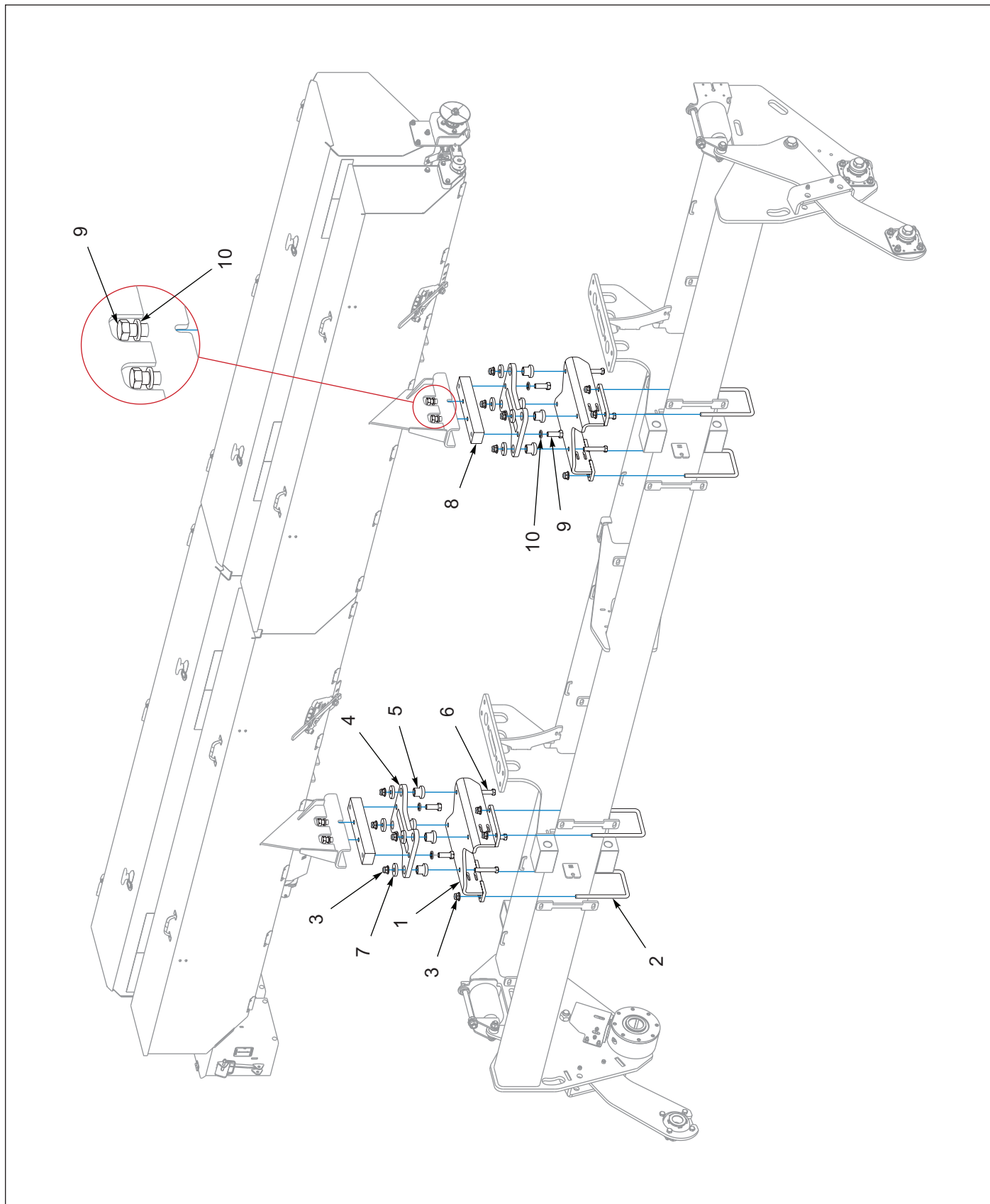


Figure 1-24: Rear Box Mount

Rear Box Mount

ITEM	PART NUMBER	DESCRIPTION	QTY
1	241339	MOUNT,SEEDBOX WLD	2
2	1J801	U-BOLT 5 X 7	4
3	2P254	NUT, FLANGE NY-LOK 5/8-11	16
4	241338	PLATE,SEEDBOX MOUNTING	2
5	219175	ISOLATOR,VIBRATION	8
6	1-654-010059-11	SCREW,HX CP 5/8-11UNCX3.5GR5	8
7	6K970	WASHER 0.656 X 2.063 X 0.375ZP	8
8	200997	BLOCK SEED BOX SPACER	2
9	1-654-010061-05	SCREW,HHC,3/4-10UNCX2,GR5,ZP	8
10	1-861-010034-17	WASHER,LKG,HLCL SPR,3/4	8

ILLUSTRATED PARTS LIST

Agitator Assembly

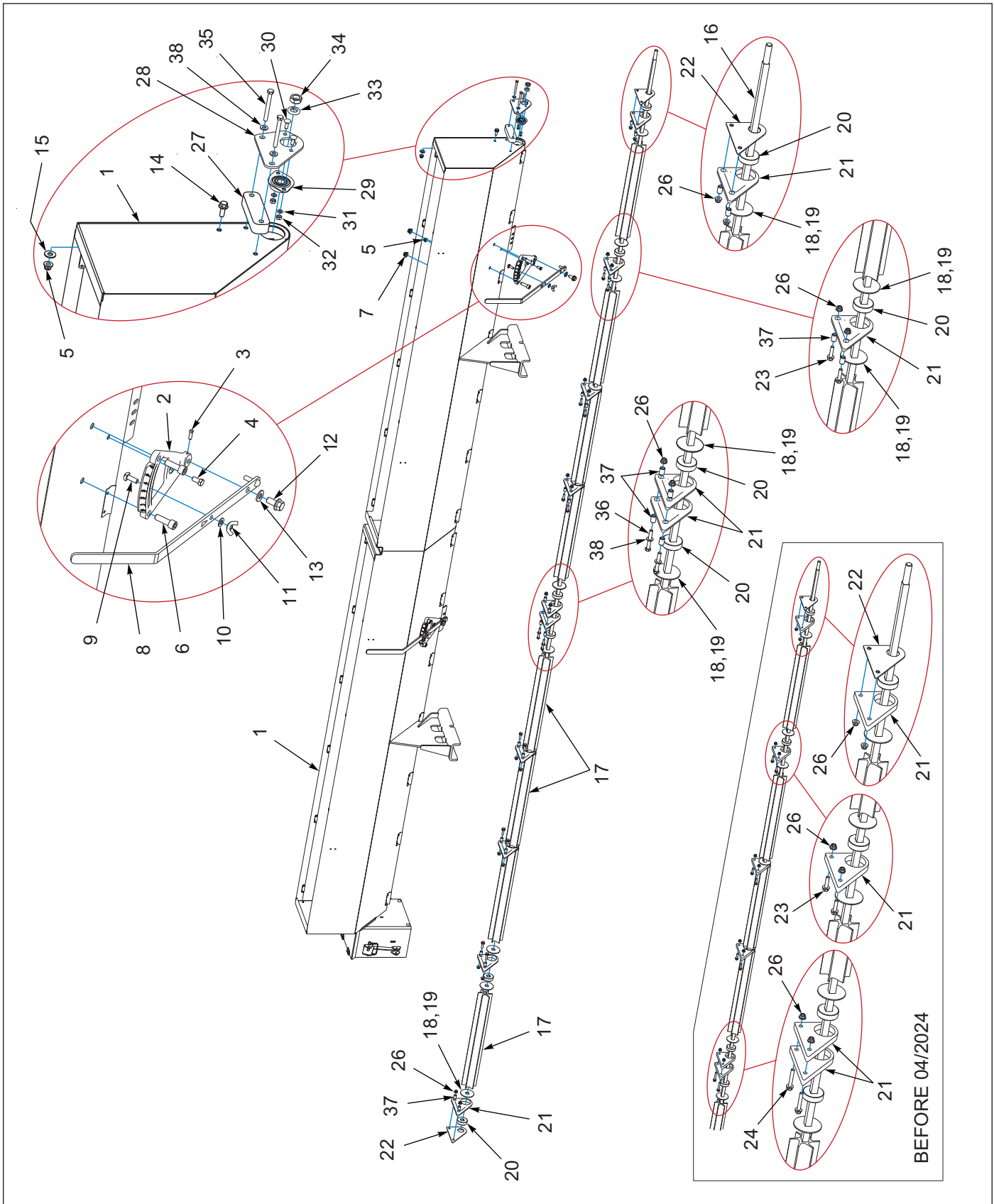


Figure 1-25: Agitator Assembly

Agitator Assembly

ITEM	PART NUMBER	DESCRIPTION	QTY
1	241300	SEEDBOX,AGITATOR 16FT	1
2	2C662	RH SHIFTER PLATE	2
3	1-654-010077-2	SCREW, SET,1/4X3/4,SQHD CP PT	2
4	1-654-010051-03	SCREW,HEX CAP,3/8-16UNCX3/4G5	2
5	2P252	NUT, FLANGE NY-LOK 3/8-16	3
6	73G824ER	SCREW SKT HX HD 1/2-13X1-1/2	4
7	2P253	NUT, FLANGE NY-LOK 1/2-13	4
8	238895	HANDLE,RATE ADJUSTER	2
9	1C606	MACH BOLT 3/8-16X1 SQHD PLT	2
10	1-861-010032-10	WASHER, FLAT 3/8" N ZP/CD	2
11	1C217	WING NUT 3/8-16NC ZP	2
12	107536	SCREW 1/2-13X1FLG HD ZP	2
13	1-861-010032-14	WASHER, FLAT 1/2" N ZP/CD	2
14	1-655-010003-05	SCREW,FLANGE HD 3/8-16X1 GR8	1
15	1-861-010032-11	WASHER, FLAT 3/8 W ZP/CD	1
16	234114	SEED SHAFT,5/8SQ X 16.5FT	1
17	7K656	BLADE AGITATOR 22-7/8	8
18	2C809	WASHER,SQ BORE 12GA	16
19	8J564	WASHER,SQ BORE 14 GA	16
20	2C808	BUSHING	10
21	248376	BEARING, AGITATOR SHAFT (CAST IRON, AFTER 01/01/2024)	10
21	231021	BEARING,AGITATOR (NYLON, BEFORE 01/01/2024) (ORDER: (1) 248376, (2) 248442)	10
22	241321	KEEPER,BEARING	2
23	234113	SCREW FLG HD 5/16-18X1-1/4 GR8	12
24	172909	SCREW FLG HD 5/16-18X2 GR8 (BEFORE 04/2024, QTY=4)	2
25	172910	SCREW FLG HD 5/16-18X2-1/2 GR8 (BEFORE 04/2024)	2
26	234112	NUT,FLANGE NY-LOK 5/16-18 (BEFORE 04/2024, QTY=18)	20
27	241314	SPACER, UHMW 2-HOLE	1
28	241315	PLATE,BEARING	1
29	229344	BEARING,FLUSH MNT 5/8 BORE	1
30	1-654-010158-1	SCREW,RHD,SQ NCK,1/4-20UNCX3/4	2
31	1-861-010034-09	WASHER, LKG HLCL SPR, 1/4	2
32	1-512-010007-05	NUT, HEX 1/4-20 GR2 ZP	2
33	1-861-010034-15	WASHER,LKG,HLCL SPR,5/8	1
34	1-511-010001-07	NUT, HEX JAM 5/8-11	1
35	103464	SCREW HX CP 5/16-18UNCX3 GR6 (AFTER 04/2024)	2
36	108628	SCREW HX CP 5/16-18UNCX2-1/4 (AFTER 04/2024)	2
37	248442	BRG BRONZE, 0.313 X 0.5 X 0.75 (AFTER 04/2024)	20
38	1-861-010032-08	WASHER,FLAT 5/16 N ZP (AFTER 04/2024)	10

ILLUSTRATED PARTS LIST

Rear Box Transmission

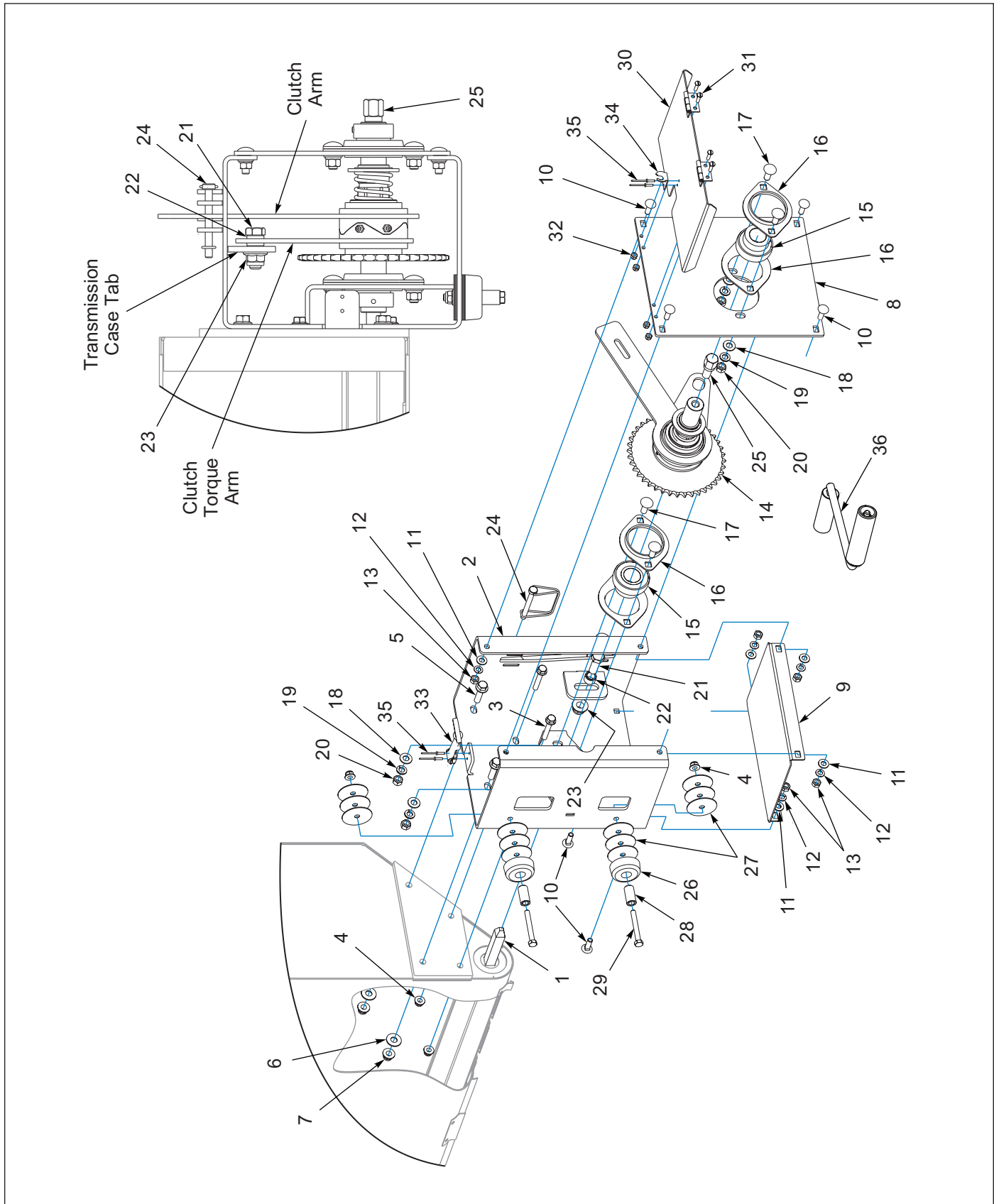


Figure 1-26: Rear Box Transmission

Rear Box Transmission

ITEM	PART NUMBER	DESCRIPTION	QTY
1	234114	SEED SHAFT,5/8SQ X 16.5FT	1
2	238864	CASE, AGIT BOX TRANSMISSION	1
3	172909	SCREW FLG HD 5/16-18X2 GR8	2
4	234112	NUT,FLANGE NY-LOK 5/16-18	4
5	1-655-010003-07	SCREW,FLG HD3/8-16 X 1-1/2,GR8	2
6	1-861-010032-11	WASHER, FLAT 3/8 W ZP/CD	2
7	2P252	NUT, FLANGE NY-LOK 3/8-16	2
8	241317	PLATE,TRANSMISSION END	1
9	241293	SHIELD, BOTTOM	1
10	104031	SCREW,RDHD,SQNK 5/16-18X1 GR5	6
11	1-861-010032-08	WASHER,FLAT 5/16 N ZP	6
12	1-861-010034-10	WASHER,LKG 5/16	6
13	1-512-010007-06	NUT, HEX 5/16-18 GR2 ZP	6
14	238860	CLUTCH ASM, MANUAL (SEE PAGE 1-48)	1
15	238870	BRG, 1-1/8 BORE W/ COLLAR	2
16	229368	FLANGETTE,2 BOLT, 62MM	4
17	111276	SCREW RDHD SQNK 3/8-16X1 GR5	4
18	1-861-010032-10	WASHER, FLAT 3/8" N ZP/CD	4
19	1-861-010034-11	WASHER, LKG HLCL SPR, 3/8	4
20	1-512-010007-07	NUT, HEX 3/8-16 GR2 ZP	4
21	1-654-010055-03	SCREW,HEX CAP,1/2-13UNCX1-1/2	1
22	155956	BUSHING ANGLE ADJUSTMENT	1
23	2P253	NUT, FLANGE NY-LOK 1/2-13	1
24	8K919	SNAP PIN	1
25	242493	CALIBRATION HEX, 1/2-13 LH	1
26	241320	BUMPER, 2OD X 3/8ID X 3/4	2
27	241295	WASHER, 0.344 X 2.0 X 0.05, ZP	12
28	3P143	TUBE, RD 0.625X0.386X1.25	2
29	1-654-010049-11	SCREW,HX CAP,5/16-18UNCX2-1/2	2
30	241318	SHIELD, TOP	1
31	1-656-010003051	SCREW,RH HD MACH 10-24X3/4	4
32	1-512-010003-06	NUT,HEX,SLFLKG W/NLY 10-24	4
33	191376	LATCH,3" RUBBER	1
34	7K345	LATCH CLIP	1
35	51365-4	RIVET BLIND DOME AL 1/8X.515	4
36	218254	CALIBRATION CRANK ASSY (SEE PAGE 1-50)	1

Clutch Assembly

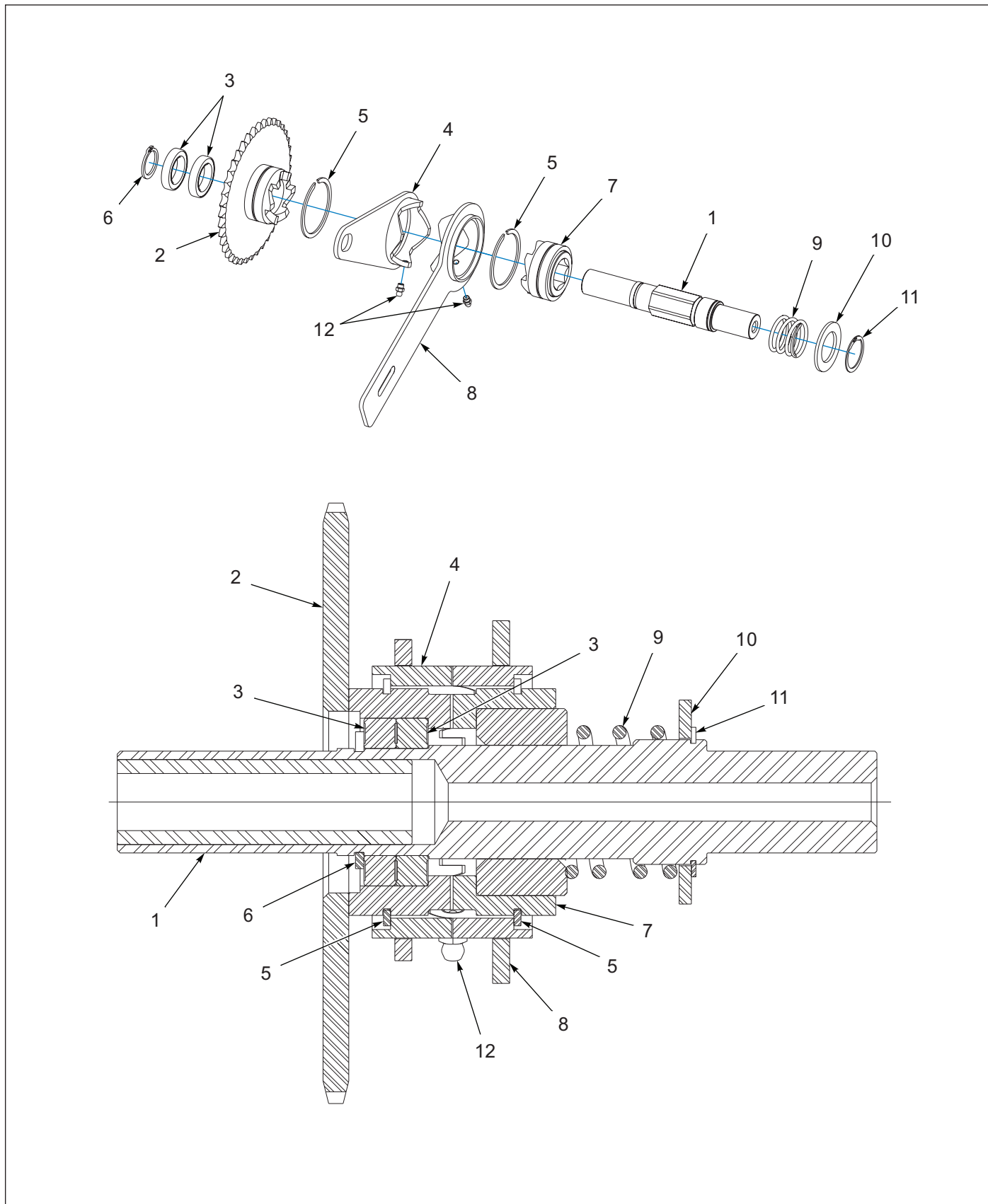


Figure 1-27: Clutch Assembly

Clutch Assembly

ITEM	PART NUMBER	DESCRIPTION	QTY
	238860	CLUTCH ASM, MANUAL	1
1	238868	SHAFT, CLUTCH DRIVE	1
2	238861	CLUTCH DRIVE,#40A40T SPROCKET	1
3	143956	BEARING, SEED DRIVE CLUTCH	2
4	238869	ARM,CLUTCH TORQUE	1
5	143957	SNAP RING, 2-1/2 SHAFT	2
6	143992	SNAP RING, 1.181 SHAFT	1
7	143954	CLUTCH DRIVE, W/HEX HOLE WLDMT	1
8	238865	ARM,CLUTCH	1
9	144049	SPRING, COMPRESSION 2" L	1
10	140480	WASHER, TRUNNION	1
11	143987	SNAP RING, 1-3/8 SHAFT	1
12	1-298-010001-1	ZERK FITTING 1/4 SAE	2

Calibration Crank Assembly

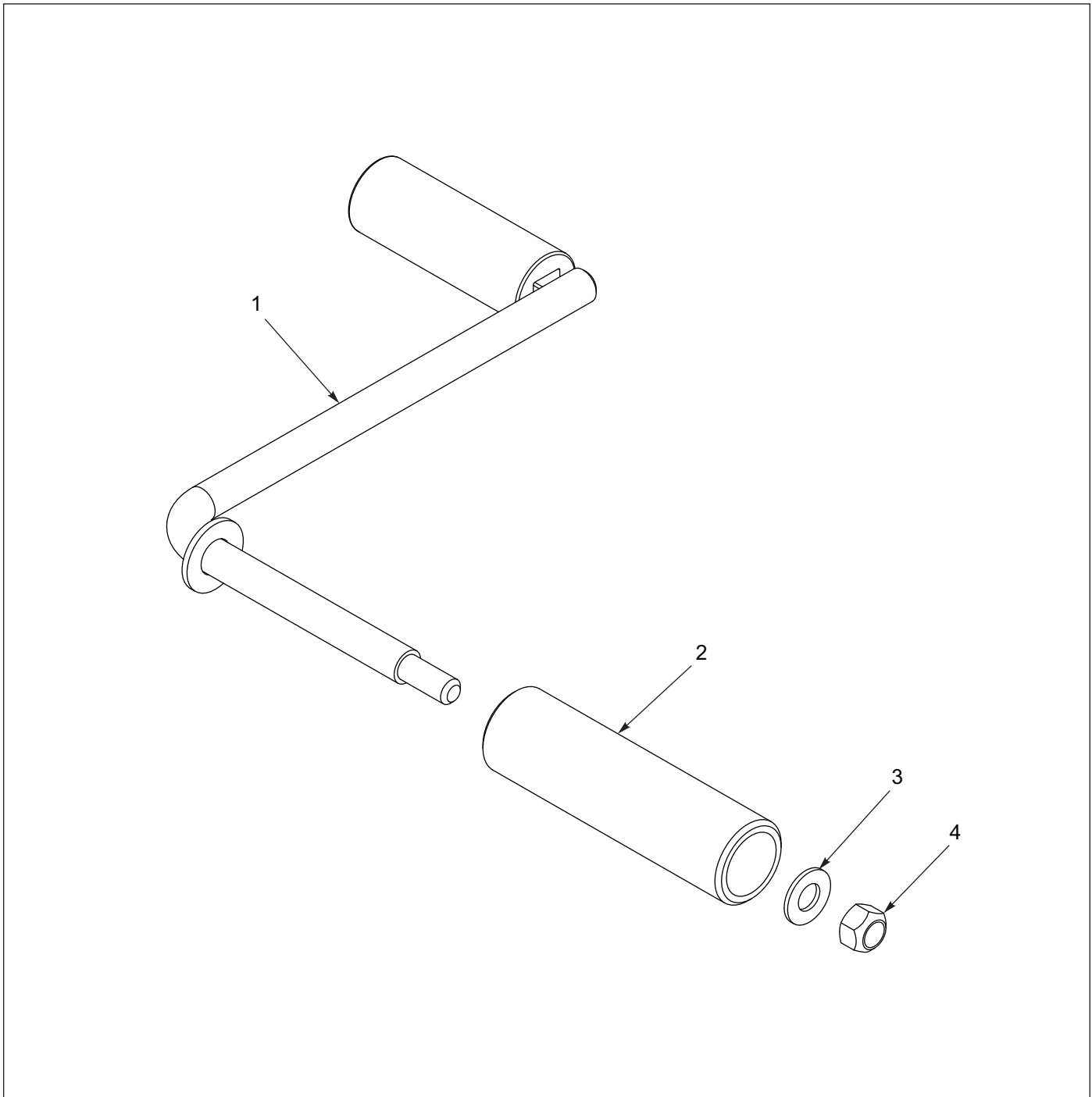


Figure 1-28: Calibration Crank Assembly

Calibration Crank Assembly

ITEM	PART NUMBER	DESCRIPTION	QTY
	218254	CALIBRATION CRANK ASSEMBLY	1
1	218255	CALIBRATION CRANK WELD	1
2	218253	HANDLE, CALIBRATION CRANK	1
3	1-861-010032-10	WASHER, FLT 3/8 SAE	1
4	1-512-010005-05	NUT, HEX, SLFLKG GRB 3/8-16	1

Seed Box Covers

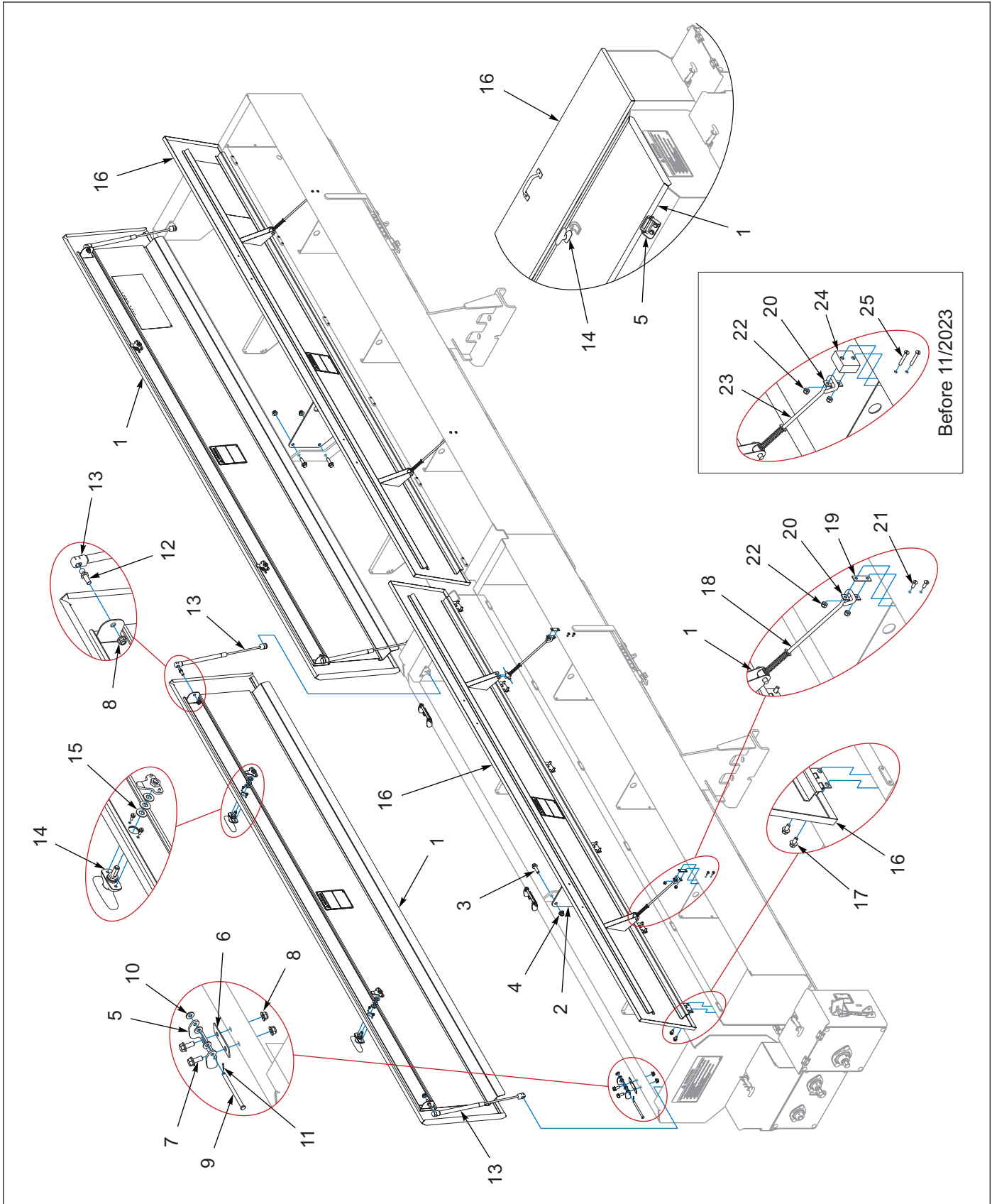


Figure 1-29: Seed Box Covers

Seed Box Covers

ITEM	PART NUMBER	DESCRIPTION	QTY
1	231022	COVER,SEEDBOX 15 X 96	2
2	208498	SUPPORT, SEEDBOX (BEFORE 03/06/2024) (AFTER 03/06/2024, DIVIDER IS WELDED INTO SEED BOX)	2
3	1-655-010003-06	SCREW, FLG HD 3/8-16 X 1-1/4, GR8 (BEFORE 03/06/2024) (AFTER 03/06/2024, DIVIDER IS WELDED INTO SEED BOX)	10
4	2P252	NUT, FLANGE NY-LOK 3/8-16 (BEFORE 03/06/2024) (AFTER 03/06/2024, DIVIDER IS WELDED INTO SEED BOX)	12
5	208443	HINGE, OUTER	6
6	168903	GASKET, HINGE SEAL	6
7	144268	SCREW, FLANGE HEAD, 5/16-18 X 3/4	12
8	234112	NUT,FLANGE NY-LOK 5/16-18	16
9	1400939	CLEVIS PIN, 0.25 X 3.5	6
10	1-861-010043-06	WASHER, FLAT 1/4 N SS	18
11	114067	COTTER PIN, 1/16 X 1/2, ZP	6
12	9K425	BALL STUD, 10MM	4
13	9K416	GAS SPRING, 60#	4
14	9K424	LATCH, T-HANDLE	4
15	1-861-010032-10	WASHER, FLT 3/8 SAE	12
16	241296	COVER,SEEDBOX 11-1/2 X 95-1/2	2
17	7J140	SCREW 1/4-20 X 1/2	12
18	244048	COVER LOCK ASM (9-5/8" LONG) (AFTER 11/2023)	4
19	7D937	WEAR STRIP (AFTER 11/2023)	4
20	7D938	COVER LOCK CLIP	4
21	1C213	STOVE BOLT #10-24X1/2 RD HD ZP (AFTER 11/2023)	8
22	1-512-010003-06	NUT,HEX,SLFLKG W/NLY 10-24	8
23	2C360	PIVOT LOCK ASSY (9" LONG) (BEFORE 11/2023)	4
24	242494	SPACER,COVER LOCK (BEFORE 11/2023)	4
25	1-656-010003055	SCREW,RD HD MACH 10-24X1-1/4 (BEFORE 11/2023)	8

Hydraulic Layout and Schematic

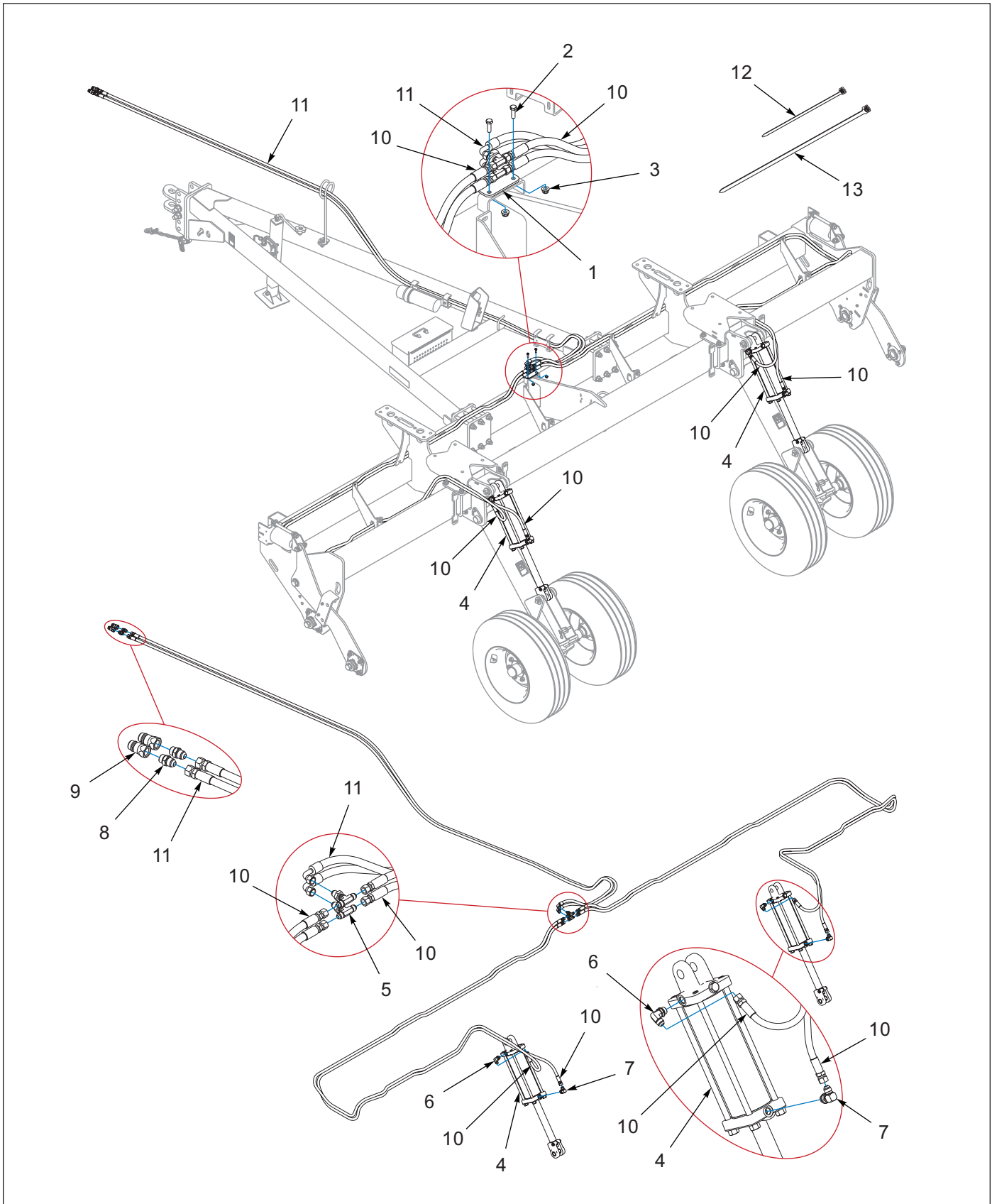


Figure 1-30: Hydraulic Layout and Schematic

Hydraulic Layout and Schematic

ITEM	PART NUMBER	DESCRIPTION	QTY
1	241289	BRACKET,BULKHEAD	1
1	241374	BRACKET, 4-HOLE BULKHEAD (USED WITH HYDRAULIC HARROW)	1
2	1-654-010049-05	SCREW HX CP 5/16-18UNCX1 GR5	2
3	234112	NUT,FLANGE NY-LOK 5/16-18	2
4	167308	CYLINDER 4X10-3000 PSI BLACK (SEE PAGE 1-105)	2
5	2703-LN-6	BULKHEAD TEE, #6 JIC	2
6	141826	ELBOW 90 1/16 RES (RESTRICTOR 8MJ X 8MOR)	2
7	2062-8-8S	ADAPTER, 90, #8 O-RING-TUBE (ELBOW 8MJ X 8MOR)	2
8	202702-8-8S	ADAPTER #8 O-RING TO #8 TUBE (8MJ X 8MOR)	2
9	141828	COUPLER,MALE 3/4-16 O-RING	2
10	241370	HOSE ASM, 3/8 X 198, 8FJSX6FJS	4
11	133454	HOSE ASSY 3/8X214 #8STRX#6-90 (8FJS X 6FJS90°)	2
12	105-0228	TYWRAP 8IN LG TY-5272MX	50
13	1-796-010004-02	TIE, STRAP,PLASTIC .301X13.38	10

Single Box - 3-PT Hitch Electrical Layout

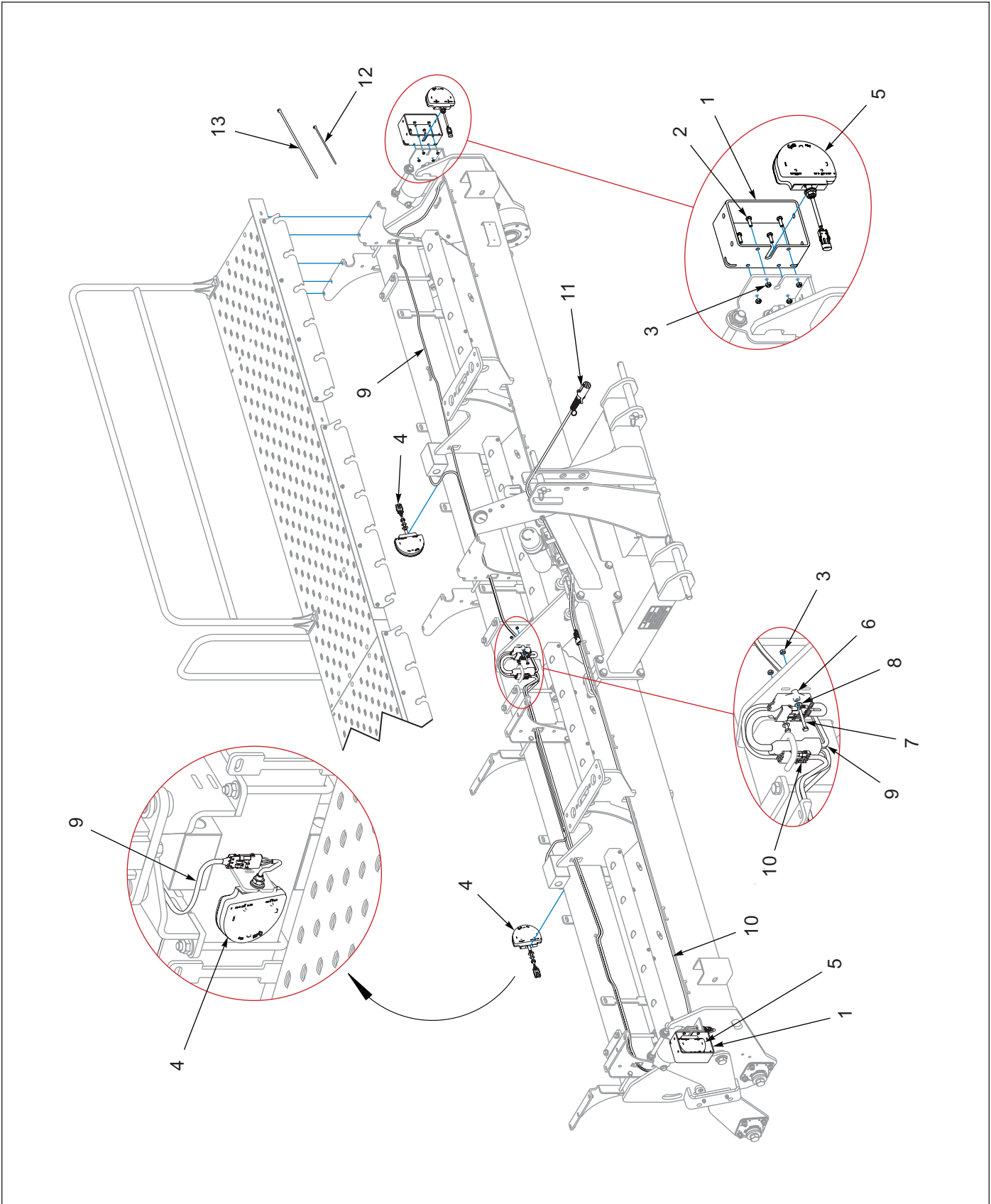


Figure 1-31: Single Box - 3-PT Hitch Electrical Layout

Single Box - 3-PT Hitch Electrical Layout

ITEM	PART NUMBER	DESCRIPTION	QTY
1	218263	LAMP SHIELD	2
2	1-654-010047-04	SCREW,HEX CAP,1/4-20X3/4 GR5	8
3	1-512-010005-01	NUT, HEX SLFLKG GRB 1/4-20	10
4	218262	RED LAMP, PEDASTAL MNT	2
5	218261	AMBER LAMP, PEDASTAL MNT	2
6	174437	MODULE, AG FLASHER CONTROL	1
7	1-654-010047-10	SCREW,HX CP,1/4-20UNC X2 G5	2
8	1-861-010032-06	WASHER, FLAT 1/4 N, ZP/CD	2
9	175151	HARNESS, LED WARNING LIGHTS	1
10	241373	HARNESS, EXT 20FT, WP4PIN	1
11	178514	HARNESS, 7 PIN/4 PIN WP, 10 FT	1
12	105-0228	TYWRAP, 8IN LG TY-5272MX	50
13	1-796-010004-02	TIE, STRAP,PLASTIC .301X13.38	10

Harness Connectors can be purchased separately. **(SEE PAGE 1-106 and 1-107)**

Single Box - Drawbar Electrical Layout

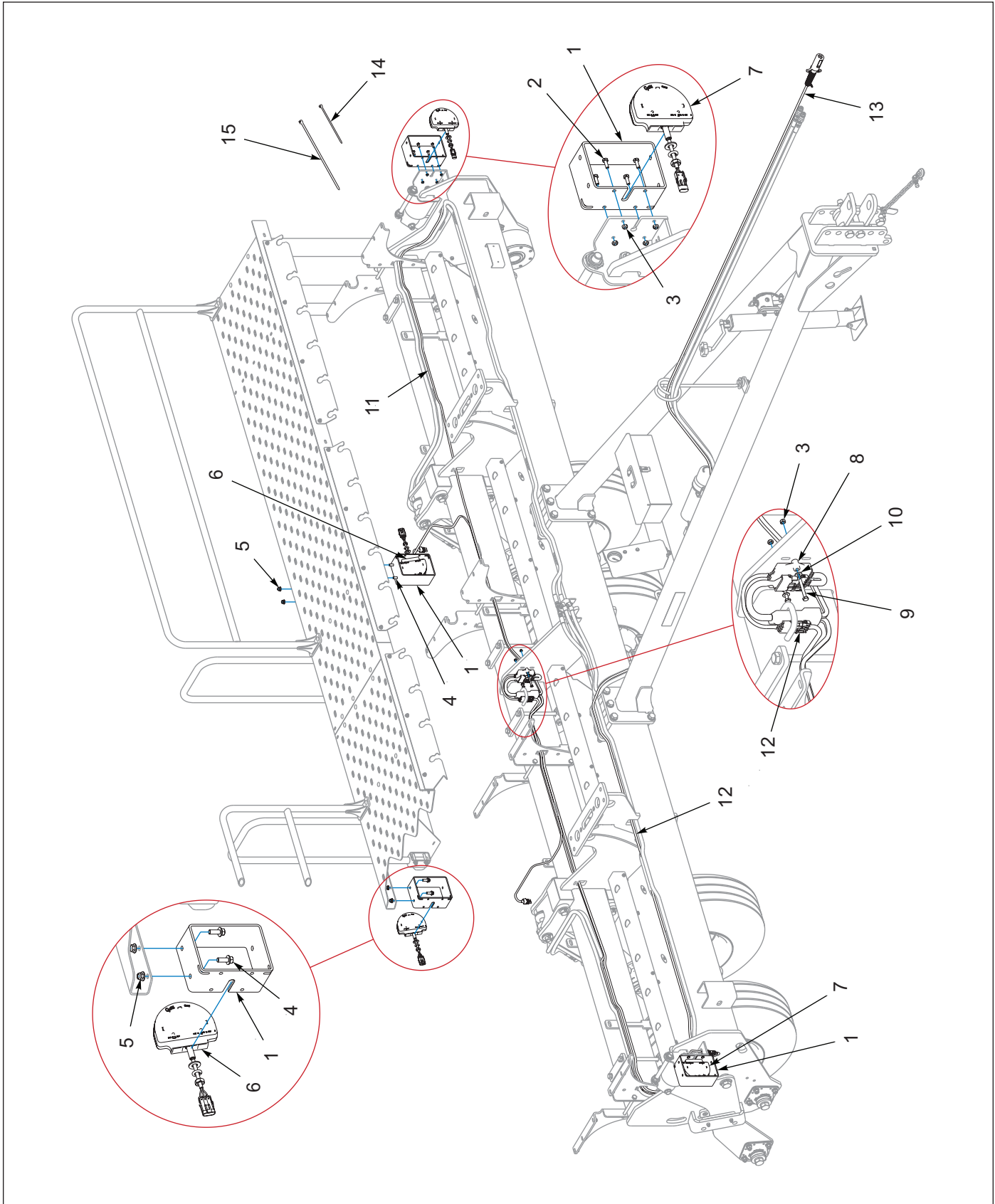


Figure 1-32: Single Box - Drawbar Electrical Layout

Single Box - Drawbar Electrical Layout

ITEM	PART NUMBER	DESCRIPTION	QTY
1	218263	LAMP SHIELD	4
2	1-654-010047-04	SCREW,HEX CAP,1/4-20X3/4 GR5	8
3	1-512-010005-01	NUT, HEX SLFLKG GRB 1/4-20	10
4	1-655-010003-05	SCREW,FLANGE HD 3/8-16X1 GR8	4
5	2P252	NUT, FLANGE NY-LOK 3/8-16	4
6	218262	RED LAMP, PEDASTAL MNT	2
7	218261	AMBER LAMP, PEDASTAL MNT	2
8	174437	MODULE, AG FLASHER CONTROL	1
9	1-654-010047-10	SCREW,HX CP,1/4-20UNC X2 GR5	2
10	1-861-010032-06	WASHER, FLAT 1/4 N, ZP/CD	2
11	175151	HARNESS, LED WARNING LIGHTS	1
12	241373	HARNESS, EXT 20FT, WP4PIN	1
13	178515	HARNESS, 7 PIN/4 PIN WP, 15 FT	1
14	105-0228	TYWRAP 8IN LG TY-5272MX	50
15	1-796-010004-02	TIE, STRAP,PLASTIC .301X13.38	10

Harness Connectors can be purchased separately. (SEE PAGE 1-106 and 1-107)

Double Box - 3-PT Hitch Electrical Layout

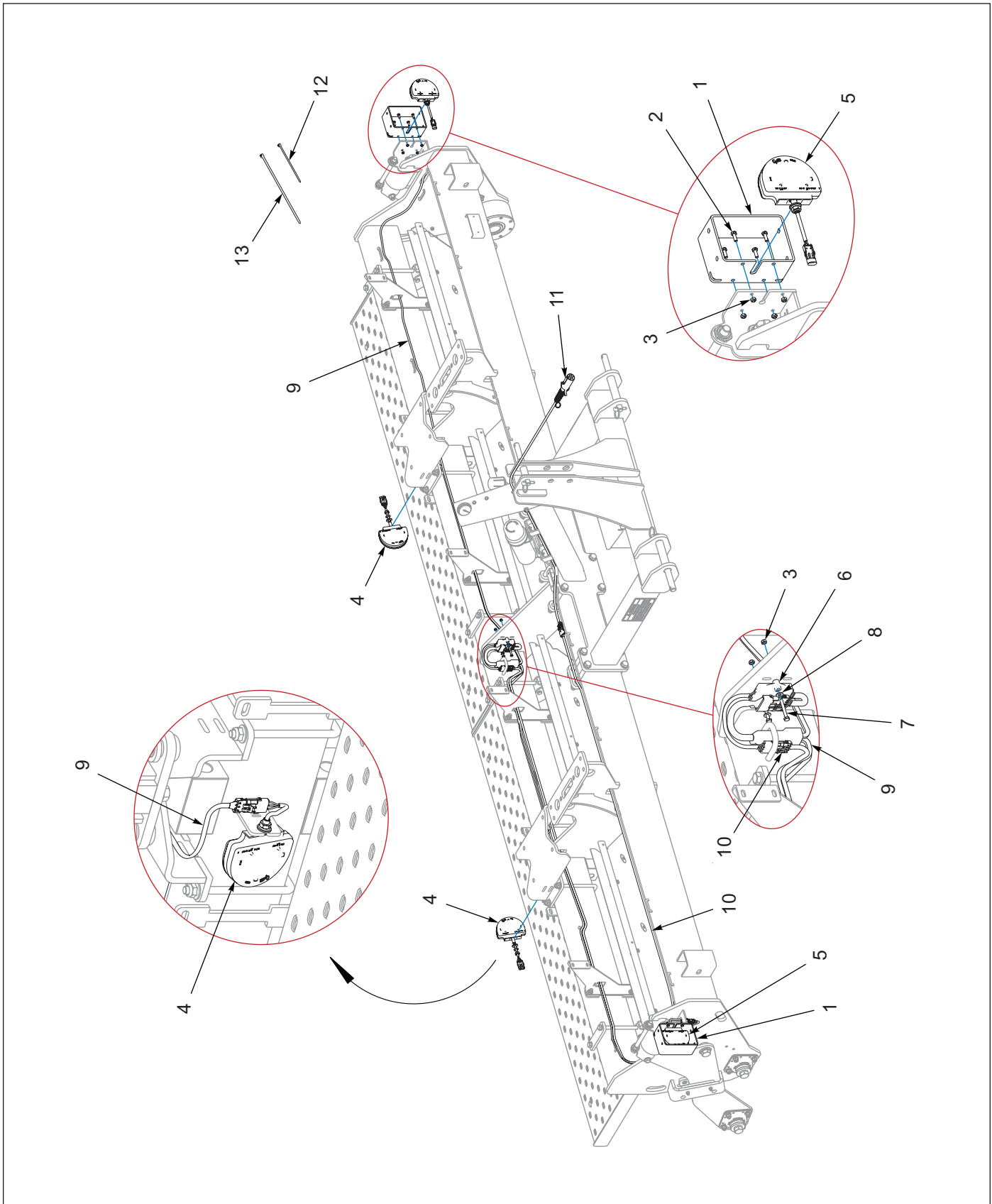


Figure 1-33: Double Box - 3-PT Hitch Electrical Layout

Double Box - 3-PT Hitch Electrical Layout

ITEM	PART NUMBER	DESCRIPTION	QTY
1	218263	LAMP SHIELD	2
2	1-654-010047-04	SCREW,HEX CAP,1/4-20X3/4 GR5	8
3	1-512-010005-01	NUT, HEX SLFLKG GRB 1/4-20	10
4	218262	RED LAMP, PEDASTAL MNT	2
5	218261	AMBER LAMP, PEDASTAL MNT	2
6	174437	MODULE, AG FLASHER CONTROL	1
7	1-654-010047-10	SCREW,HX CP,1/4-20UNC X2 G5	2
8	1-861-010032-06	WASHER, FLAT 1/4 N, ZP/CD	2
9	175151	HARNESS, LED WARNING LIGHTS	1
10	241373	HARNESS, EXT 20FT, WP4PIN	1
11	178514	HARNESS, 7 PIN/4 PIN WP, 10 FT	1
12	105-0228	TYWRAP, 8IN LG TY-5272MX	50
13	1-796-010004-02	TIE, STRAP,PLASTIC .301X13.38	10

Harness Connectors can be purchased separately. **(SEE PAGE 1-106 and 1-107)**

Double Box - Drawbar Electrical Layout

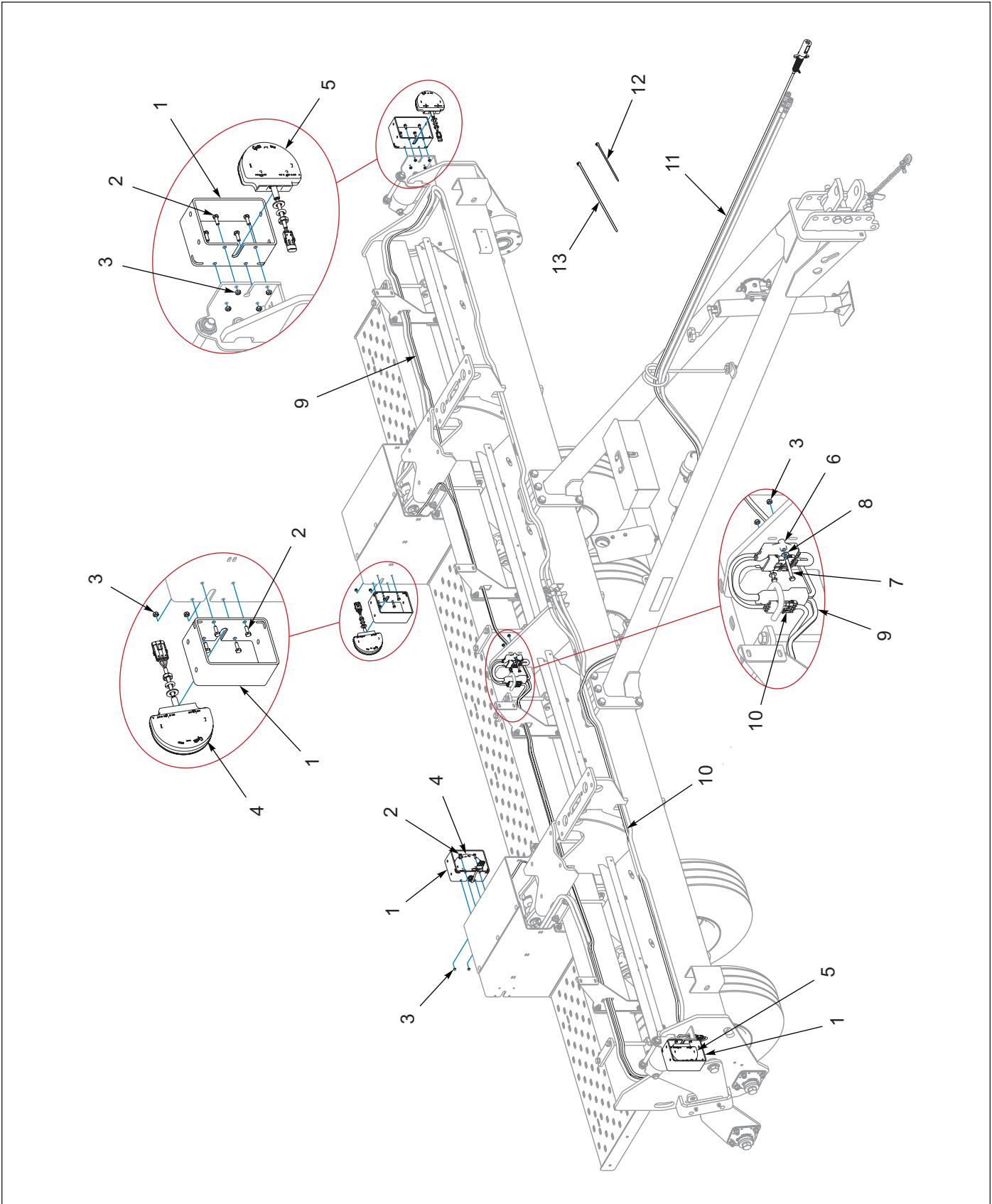


Figure 1-34: Double Box - Drawbar Electrical Layout

Double Box - Drawbar Electrical Layout

ITEM	PART NUMBER	DESCRIPTION	QTY
1	218263	LAMP SHIELD	4
2	1-654-010047-04	SCREW,HEX CAP,1/4-20X3/4 GR5	16
3	1-512-010005-01	NUT, HEX SLFLKG GRB 1/4-20	18
4	218262	RED LAMP, PEDASTAL MNT	2
5	218261	AMBER LAMP, PEDASTAL MNT	2
6	174437	MODULE, AG FLASHER CONTROL	1
7	1-654-010047-10	SCREW,HX CP,1/4-20UNC X2 GR5	2
8	1-861-010032-06	WASHER, FLAT 1/4 N, ZP/CD	2
9	175151	HARNESS, LED WARNING LIGHTS	1
10	241373	HARNESS, EXT 20FT, WP4PIN	1
11	178515	HARNESS, 7 PIN/4 PIN WP, 15 FT	1
12	105-0228	TYWRAP 8IN LG TY-5272MX	50
13	1-796-010004-02	TIE, STRAP,PLASTIC .301X13.38	10

Harness Connectors can be purchased separately. **(SEE PAGE 1-106 and 1-107)**

3-PT Hitch Air System

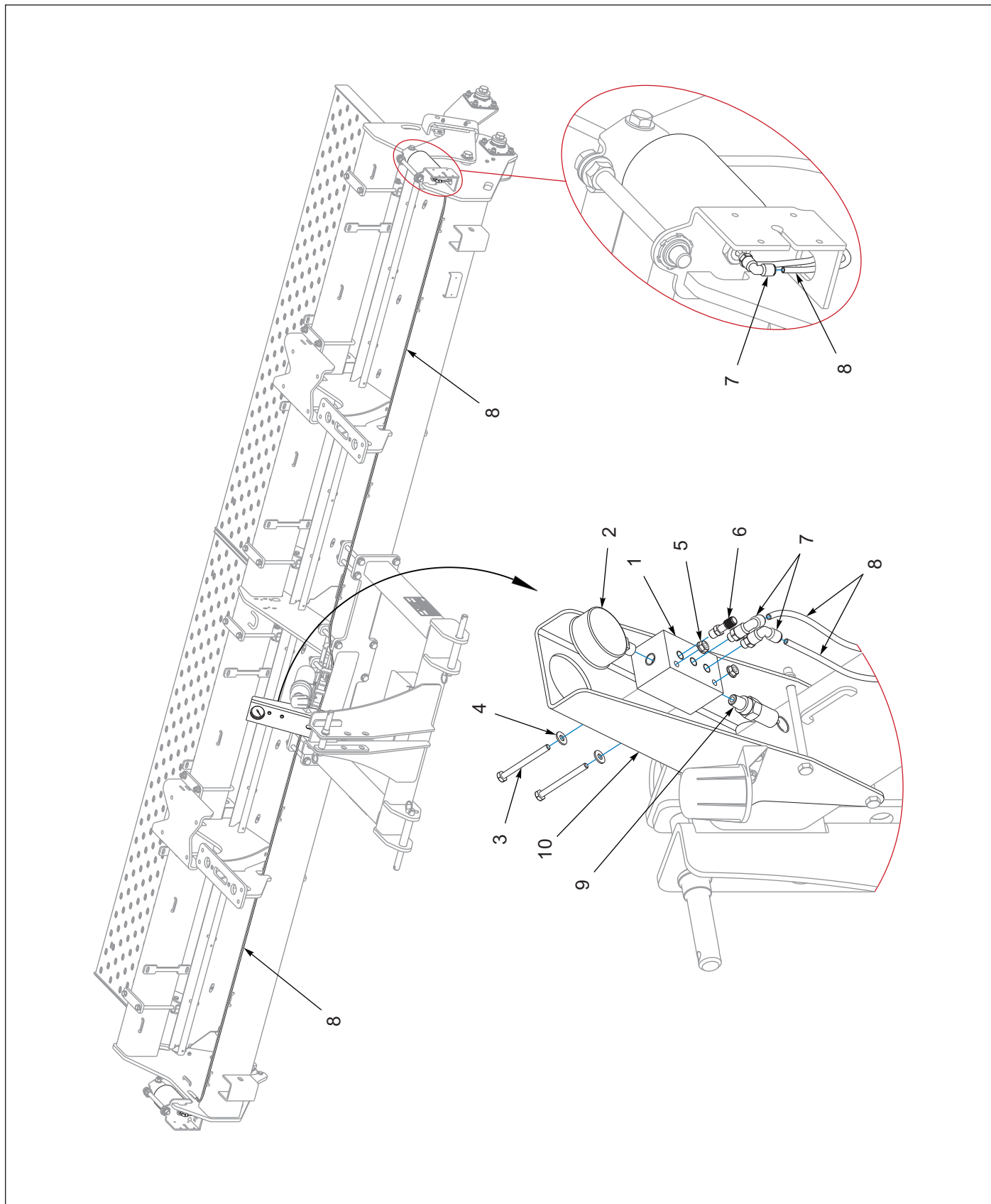


Figure 1-35: 3-PT Hitch Air System

3-PT Hitch Air System

ITEM	PART NUMBER	DESCRIPTION	QTY
1	151604	MANIFOLD, AIR	1
2	1-323-010008	GAUGE, PRESSURE, 0-160 PSI	1
3	1-654-010047-13	SCREW, HEX 1/4-20UNC X 2-3/4	2
4	1-861-010032-06	WASHER, FLAT, 1/4	2
5	108417	NUT, SPIRAL 1/4-20 HX FG	2
6	151610	VALVE, SCHRADER AIR 1/8-27 NPT	1
7	151590	MALE ELBOW, 1/4 OD X 1/8 NPT	4
8	1-833-010001	TUBING, NYLON 1/4 OD (30FT, SOLD PER FOOT)	AR
9	151595	VALVE, AIR RELIEF	1
10	218243	BRACKET, AIR MANIFOLD	1

Drawbar Air System

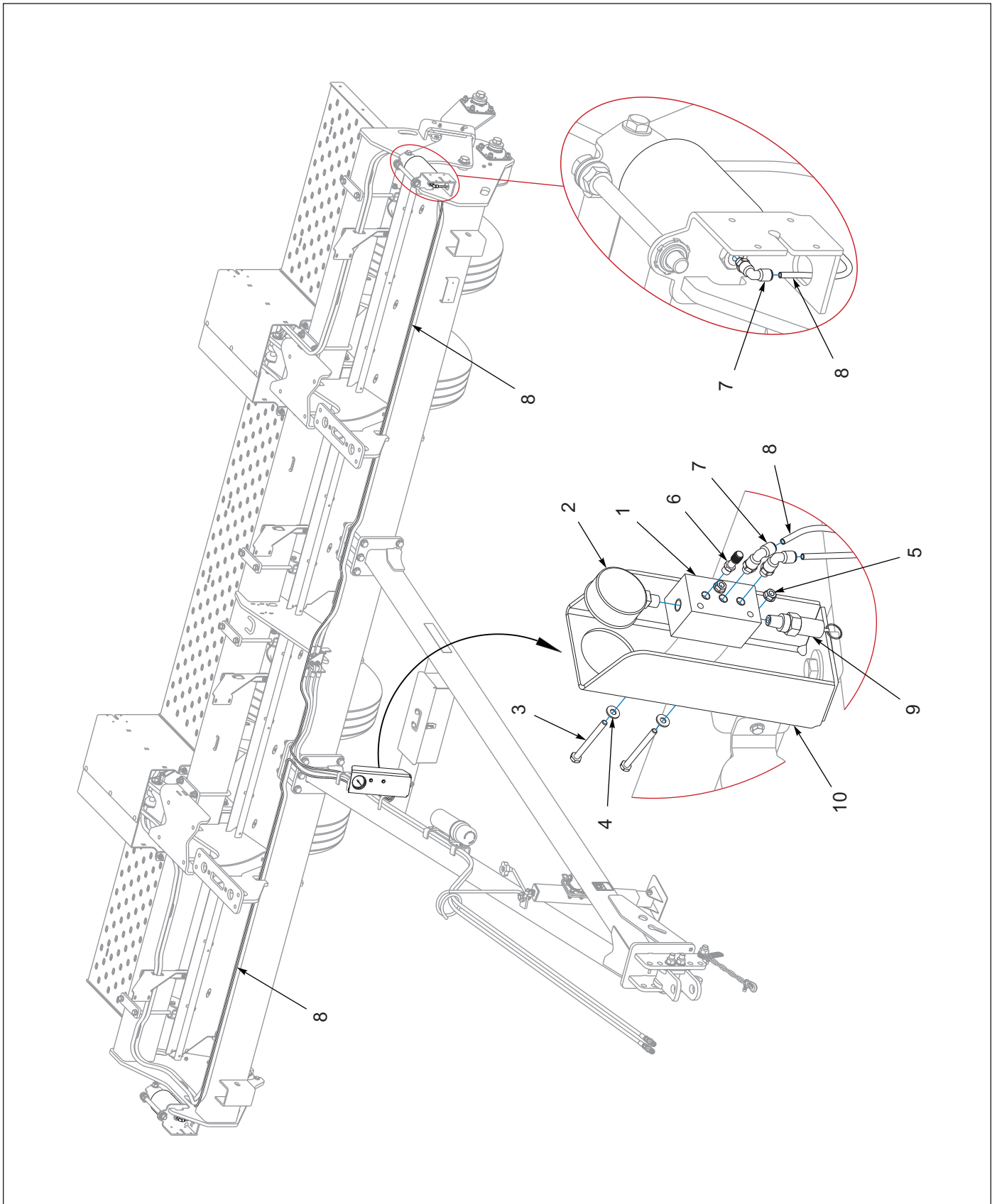


Figure 1-36: Drawbar Air System

Drawbar Air System

ITEM	PART NUMBER	DESCRIPTION	QTY
1	151604	MANIFOLD, AIR	1
2	1-323-010008	GAUGE, PRESSURE, 0-160 PSI	1
3	1-654-010047-13	SCREW, HEX 1/4-20UNC X 2-3/4	2
4	1-861-010032-06	WASHER, FLAT, 1/4	2
5	108417	NUT, SPIRAL 1/4-20 HX FG	2
6	151610	VALVE, SCHRADER AIR 1/8-27 NPT	1
7	151590	MALE ELBOW, 1/4 OD X 1/8 NPT	4
8	1-833-010001	TUBING, NYLON 1/4 OD (30FT, SOLD PER FOOT)	AR
9	151595	VALVE, AIR RELIEF	1
10	219176	BRACKET, AIR MANIFOLD	1

Agitator Cage - Optional

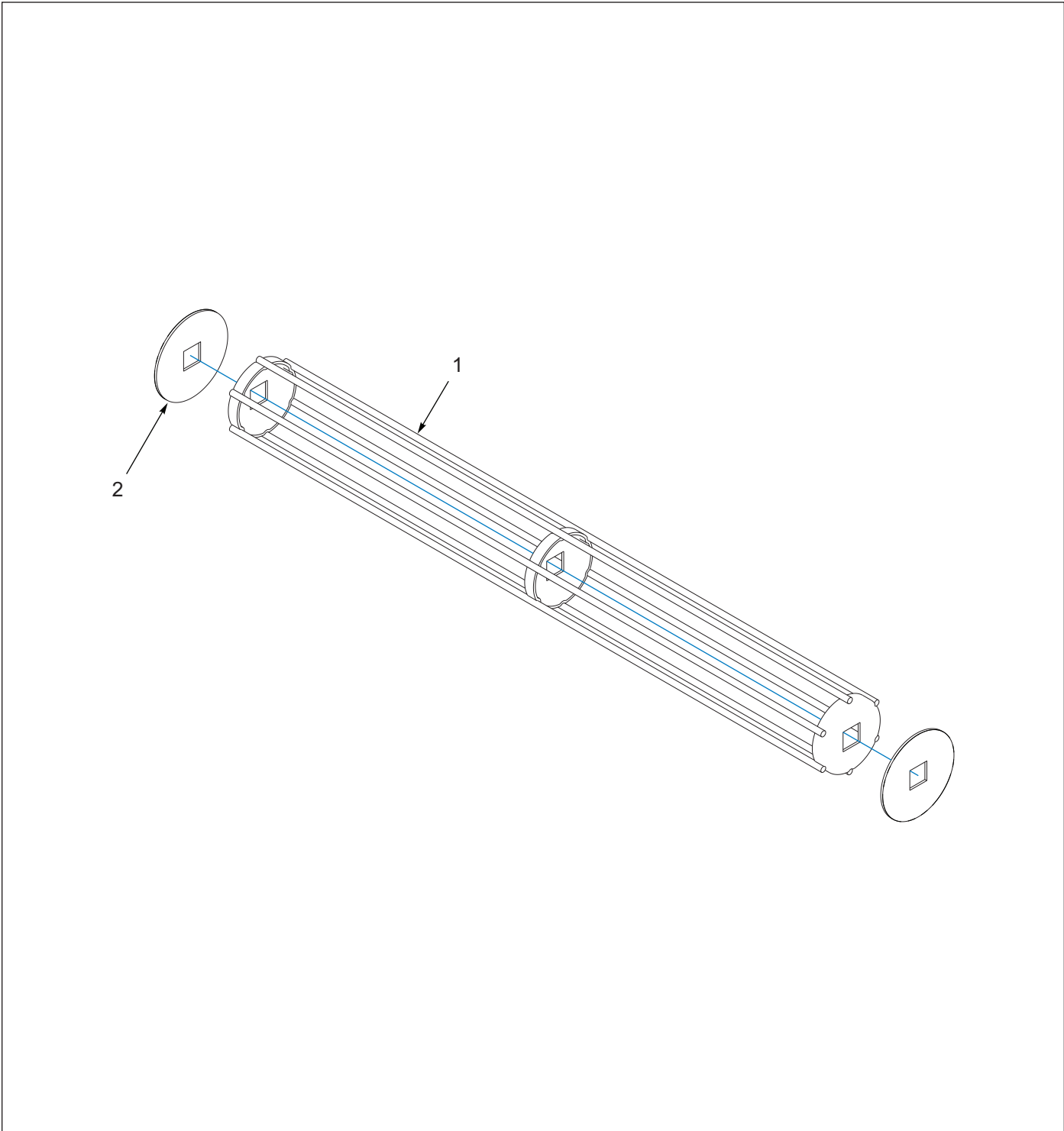


Figure 1-37: Agitator Cage - Optional

Agitator Cage - Optional

ITEM	PART NUMBER	DESCRIPTION	QTY
	242483	CAGE AGITATOR KIT	1
1	9D794	AGITATOR CAGE ASSEMBLY (22-15/16)	8
2	8J564	WASHER,SQ BORE 14 GA	16

8-Row Brush Agitator - Optional

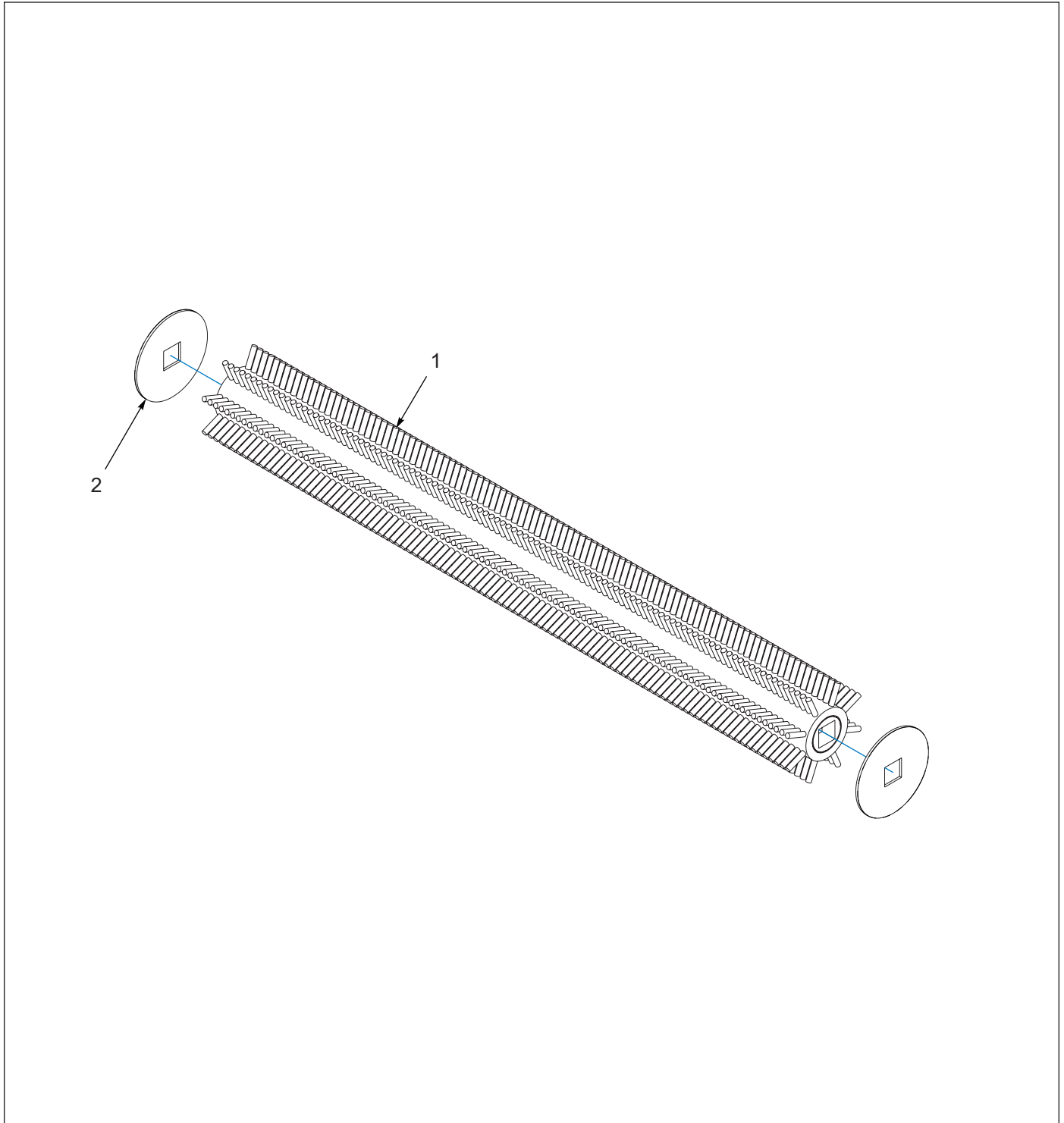


Figure 1-38: 8-Row Brush Agitator - Optional

8-Row Brush Agitator - Optional

ITEM	PART NUMBER	DESCRIPTION	QTY
	242485	8-ROW BRUSH AGITATOR KIT	1
1	2P173	BRUSH,8 ROW,22.94 LG	8
2	8J564	WASHER,SQ BORE 14 GA	16

5-Strip Brush Agitator Kit - Optional

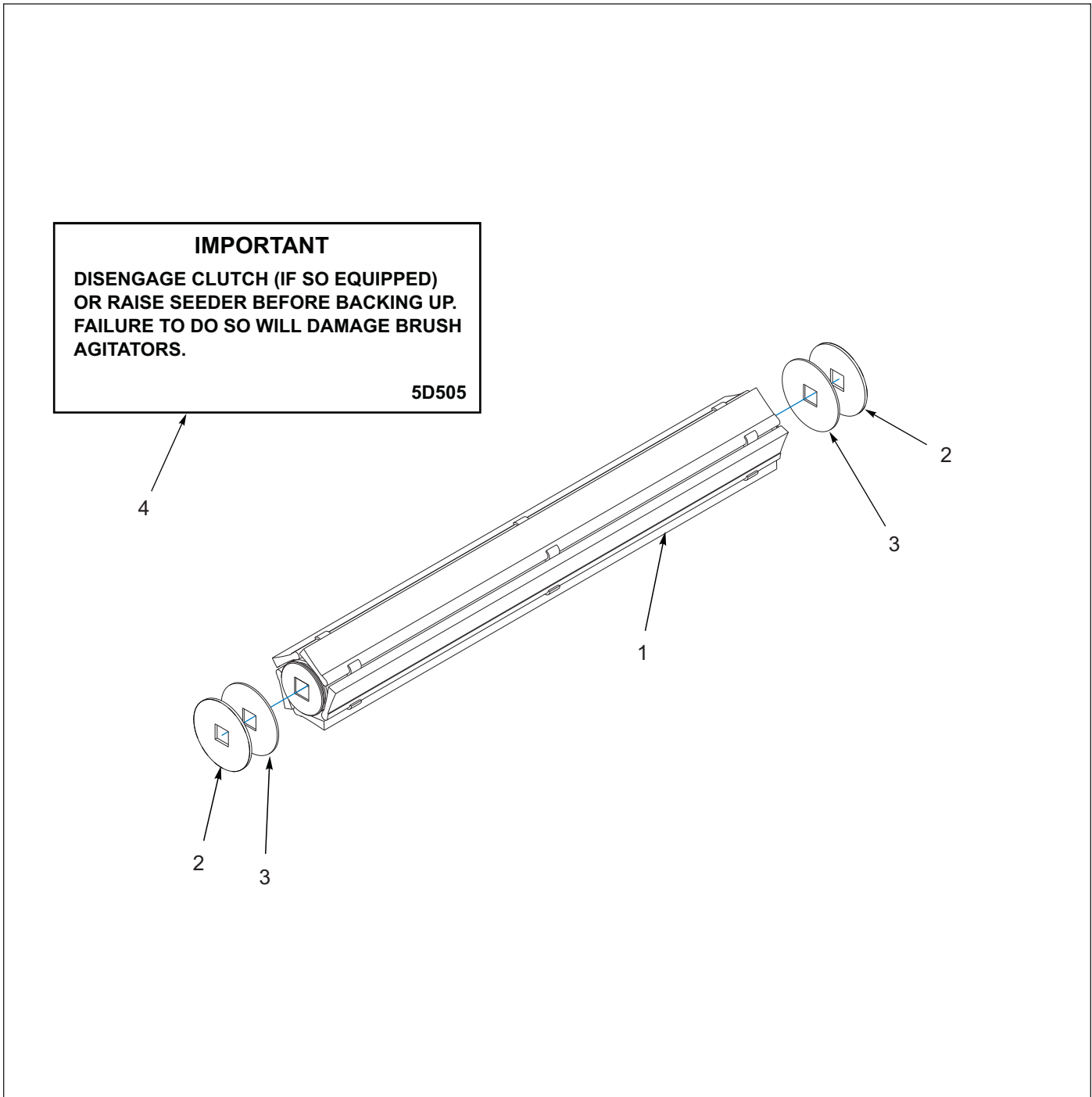


Figure 1-39: 5-Strip Brush Agitator Kit - Optional

5-Strip Brush Agitator Kit - Optional

ITEM	PART NUMBER	DESCRIPTION	QTY
	242484	5-STRIP BRUSH AGITATOR KIT	1
1	3C995	BRUSH AGITATOR ASSEMBLY (22-1/2") (SEE PAGE 1-71)	8
2	2C809	WASHER, SQ BORE 12GA	24
3	8J564	WASHER, SQ BORE 14GA	16
4	5D505	DECAL - 'IMPORTANT INFORMATION'	1

5-Strip Brush Agitator Assembly - 22-1/2"

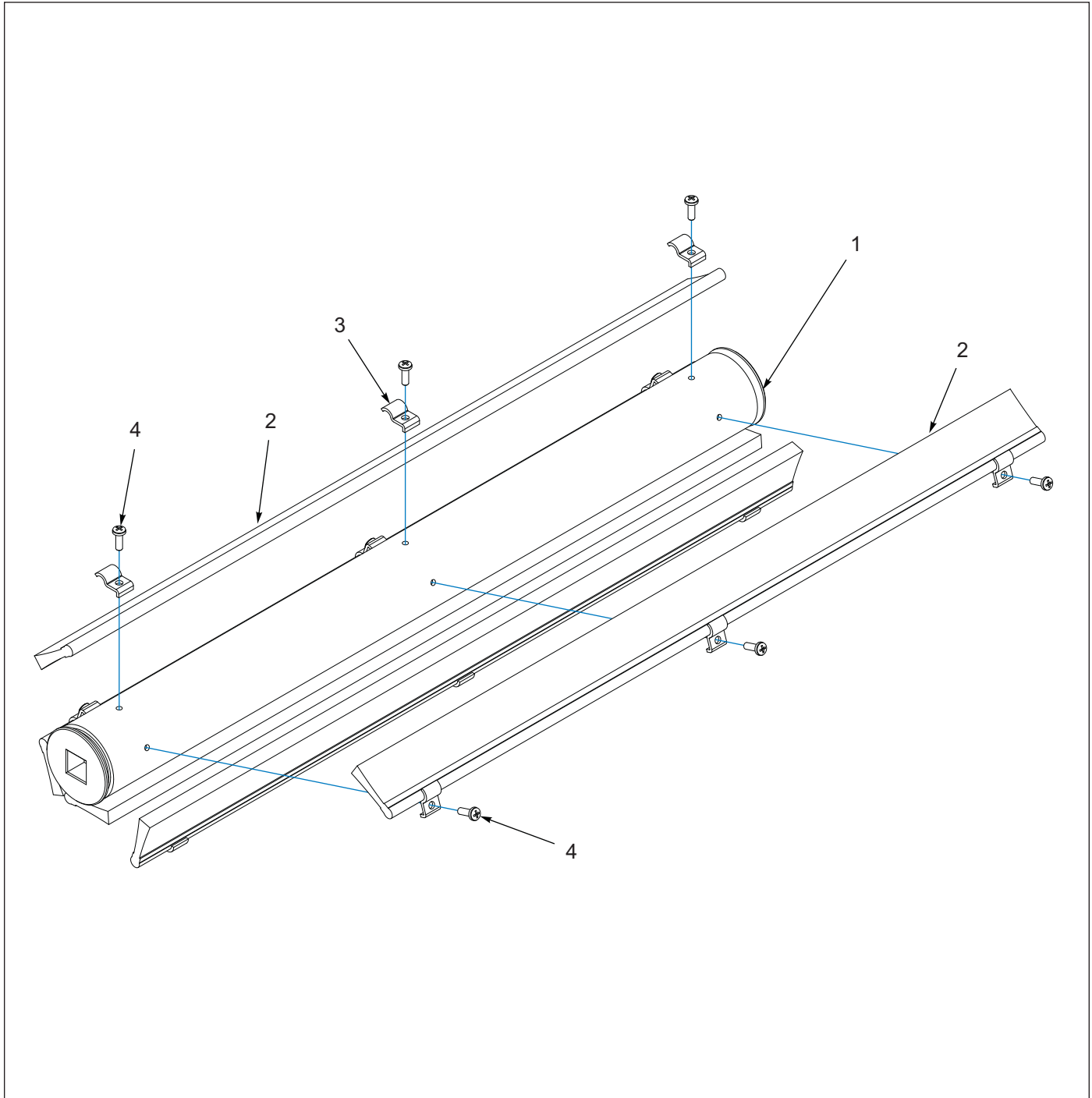


Figure 1-40: 5-Strip Brush Agitator Assembly - 22-1/2"

5-Strip Brush Agitator Assembly - 22-1/2"

ITEM	PART NUMBER	DESCRIPTION	QTY
	3C995	BRUSH AGITATOR ASSEMBLY (22-1/2")	1
1	3C996	BRUSH AGITATOR PIPE	1
2	3C997	BRUSH STRIP, 22-1/4"	5
3	3C956	BRUSH STRIP CLIP	15
4	3C998	SCREW (8-32 X 1/2)	15

Coil Tine Harrow - Optional

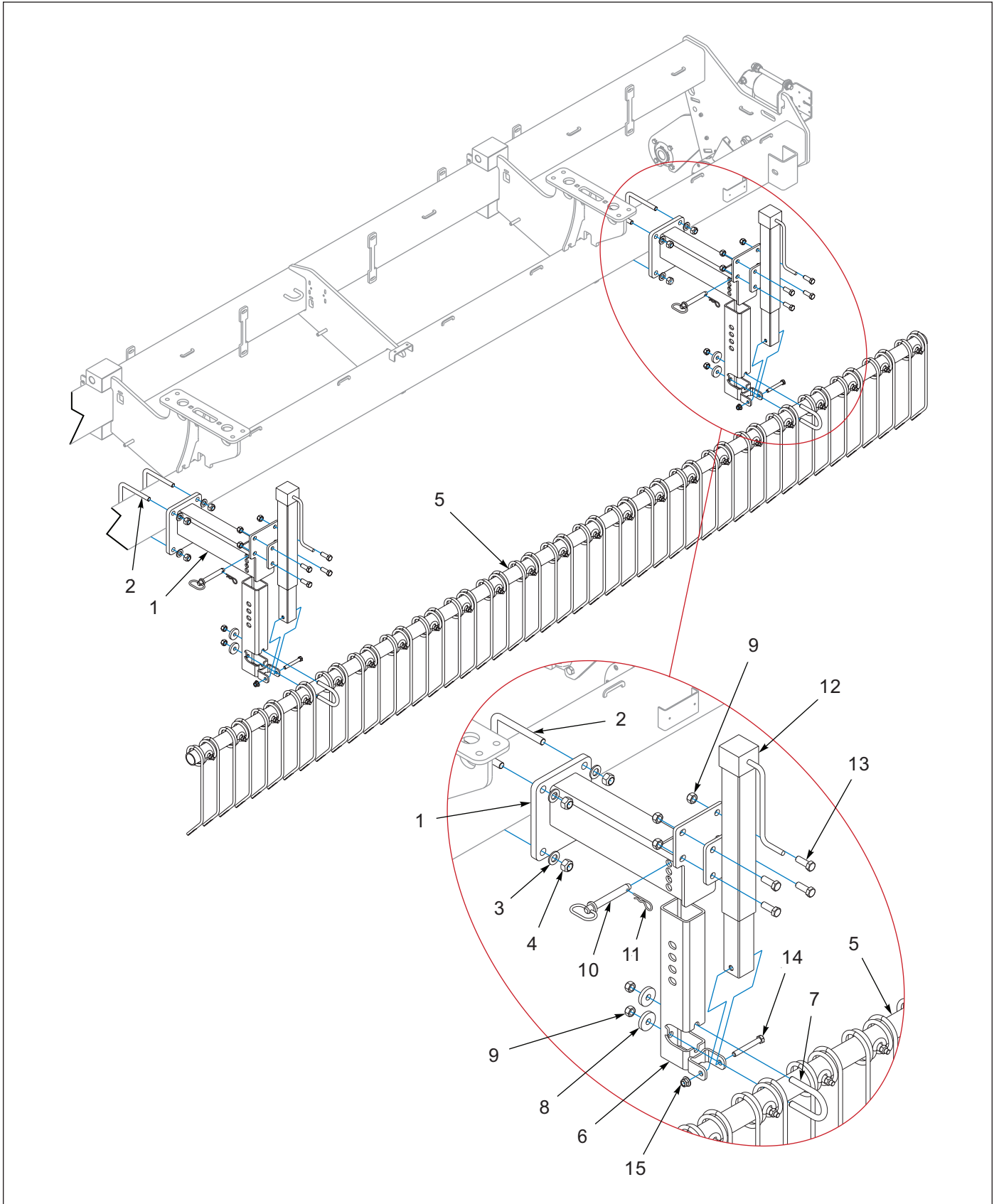


Figure 1-41: Coil Tine Harrow - Optional

Coil Tine Harrow - Optional

ITEM	PART NUMBER	DESCRIPTION	QTY
	242477	COIL TINE TRACK REMOVER KIT	1
1	218266	BRACKET, HARROW MOUNTING	2
2	3K176	U-BOLT 3/4-10 X 7-1/2 X 7-3/16	4
3	1-861-010032-20	WASHER, FLAT, 3/4, ZP/CD	8
4	1-512-010005-15	NUT, HEX SLFLKG GRB, 3/4-10	8
5	214098	HARROW ASSY, 23 TINES (SEE PAGE 1-74)	1
6	214106	ADJUSTER, HARROW	2
7	214101	U-BOLT, 5/8-11 X R1.219 X 4.5, ZP	2
8	6K970	WASHER, 0.656 X 2.063 X 0.375, ZP	4
9	1-512-010005-13	NUT, HEX SLFLKG GRB 5/8-11	12
10	214169	PIN, HITCH 3/4 X 4-1/2 (INCLUDES ITEM 11)	2
11	4C856	HAIR PIN COTTER	2
12	109985	JACK, 7000# SIDEWIND	2
13	1-654-010059-04	SCREW, HEX CAP 5/8-11 X 1-3/4, G5	8
14	1-654-010055-12	SCREW, HX CP 1/2-13UNC X 3-3/4, GR5	2
15	2P253	NUT, FLANGE NY-LOK 1/2-13	2

Harrow Assembly - Optional

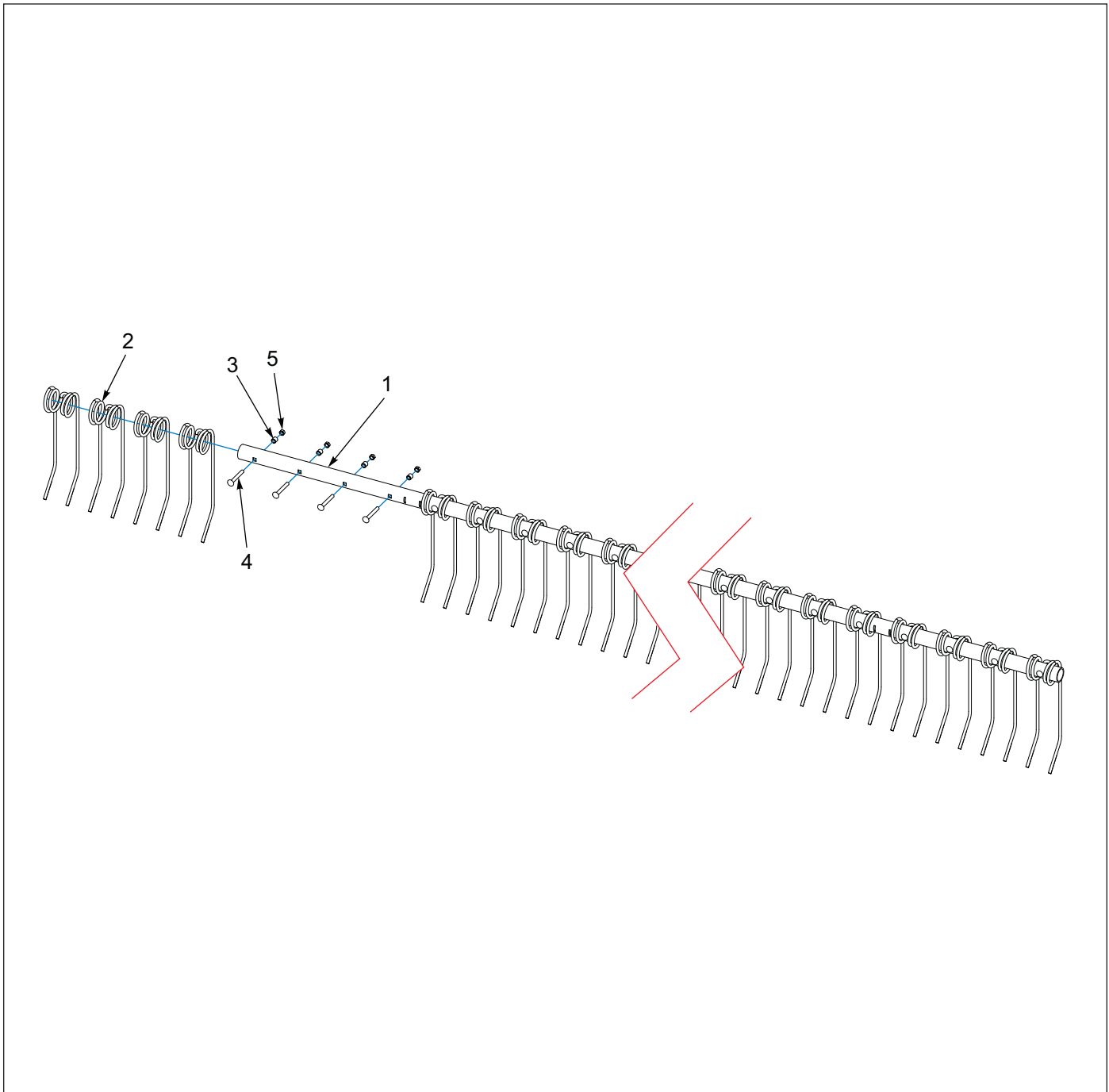


Figure 1-42: Harrow Assembly - Optional

Harrow Assembly - Optional

ITEM	PART NUMBER	DESCRIPTION	QTY
	214098	HARROW ASM, 23 TINES	1
1	214097	TUBE, TINE 2-3/8 X 182.0	1
2	203785	DOUBLE TINE, 7/16 X 17-1/2 BENT	23
3	154997	TUBE, ROUND .75 OD X .532 ID X .75	23
4	1-654-010070-13	SCREW, RDHD, SQNK, 1/2-13 X 4	23
5	1-512-010005-09	NUT, LOCK 1/2-13, GRB, ZP	23

S-Tine Tracker Remover - Optional

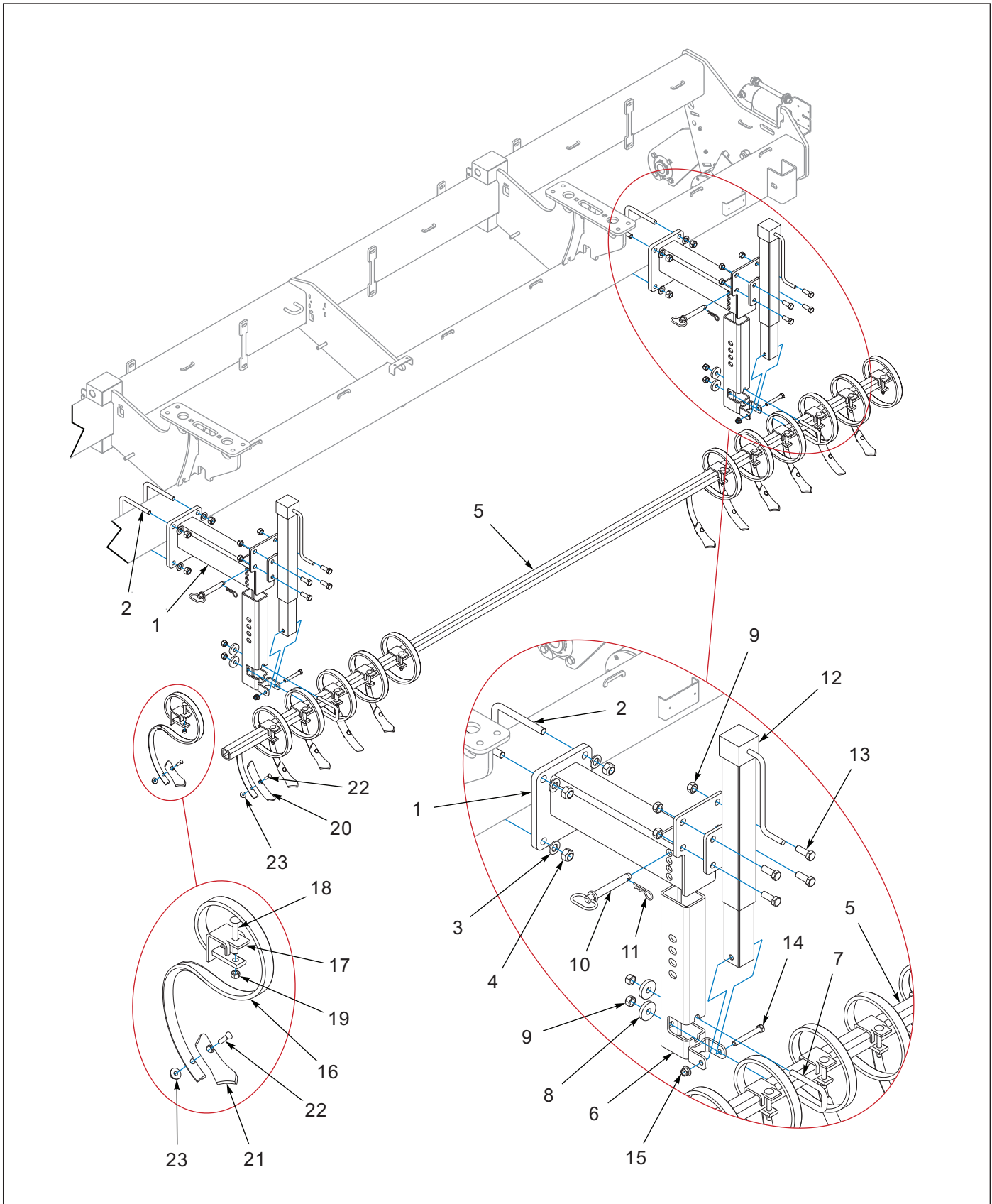


Figure 1-43: S-Tine Tracker Remover - Optional

S-Tine Tracker Remover - Optional

ITEM	PART NUMBER	DESCRIPTION	QTY
	242478	S-TINE TRACK REMOVER KIT	1
1	218266	BRACKET, HARROW MOUNTING	2
2	3K176	U-BOLT 3/4-10 X 7-1/2 X 7-3/16	4
3	1-861-010032-20	WASHER, FLAT, 3/4 ZP/CD	8
4	1-512-010005-15	NUT, HEX SLFLKG GRB 3/4-10	8
5	212518	TUBE SQ 2 X 0.25 X 165	1
6	214105	ADJUSTERS, S-TINE HARROW	2
7	218273	U-BOLT, 5/8-11 X 2-11/16 X 4-1/2	2
8	6K970	WASHER, 0.656 X 2.063 X 0.375, ZP	4
9	1-512-010005-13	NUT, HEX SLFLKG GRB, 5/8-11	12
10	214169	PIN, HITCH 3/4 X 4-1/2 (INCLUDES ITEM 11)	2
11	4C856	HAIR PIN COTTER	2
12	109985	JACK, 7000# SIDEWIND	2
13	1-654-010059-04	SCREW, HEX CAP 5/8-11 X 1-3/4, G5	8
14	1-654-010055-12	SCREW, HX CP 1/2-13UNC X 3-3/4, GR5	2
15	2P253	NUT, FLANGE NY-LOK 1/2-13	2
16	1J887	S-TINE, 10mm X 32mm	12
17	1J834	CLAMP	12
18	2J241	SCREW, 7/16NC X 3-1/2, RDHD	12
19	101988	NUT, HEX SLFLKG 7/16-14, GRB	12
20	2J155	HEAVY DUTY REVERSIBLE POINT	4
21	7D014	DUCKFOOT POINT, 2-1/2"	8
22	7D728	CULTIVATOR BOLT 3/8-16 X 1-3/4	12
23	5J616	FLANGE, LOCK NUT 3/8-16	12

S-Tine Hydraulic Tracker Remover - Optional

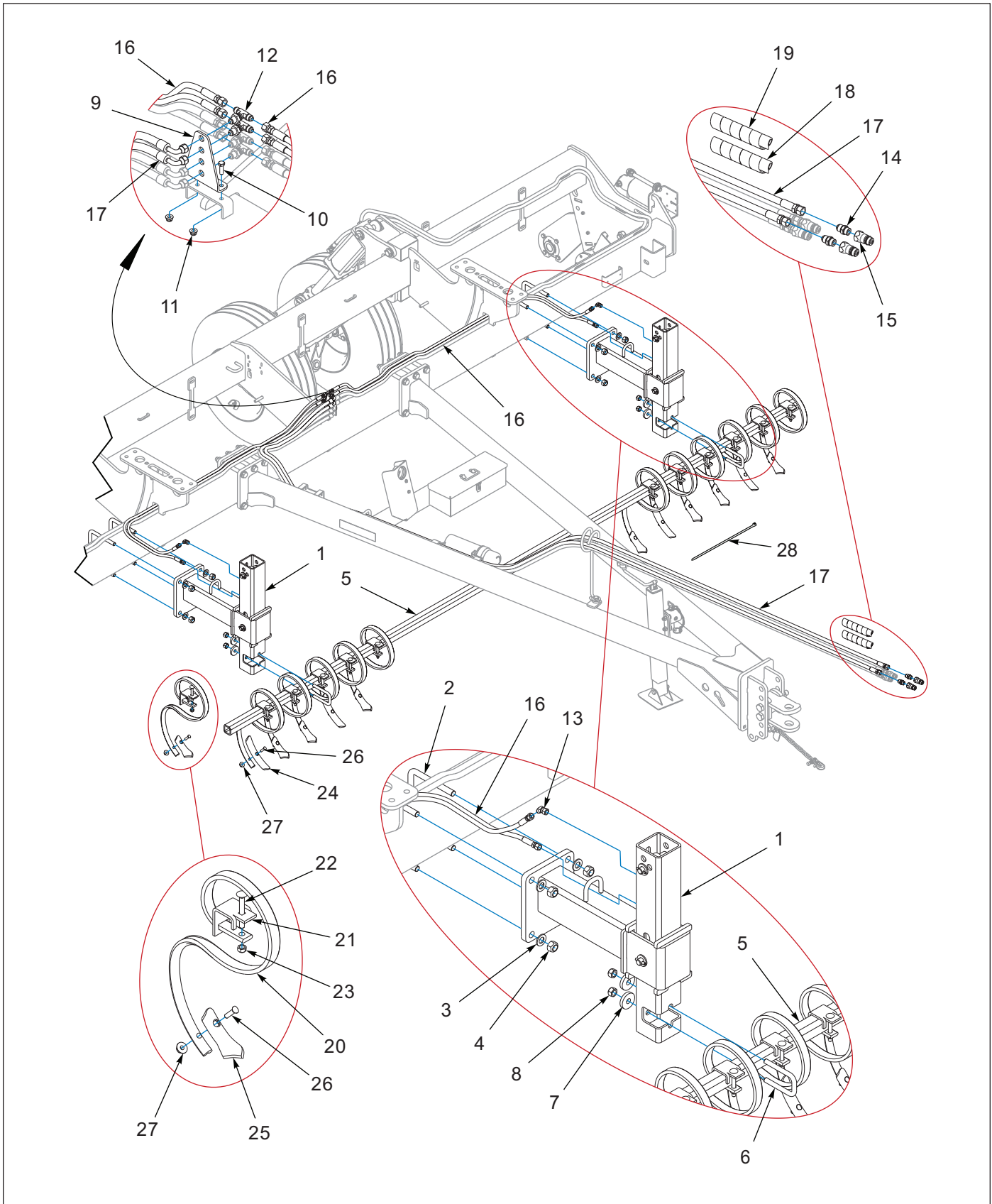


Figure 1-44: S-Tine Hydraulic Tracker Remover - Optional

S-Tine Hydraulic Tracker Remover - Optional

ITEM	PART NUMBER	DESCRIPTION	QTY
	242479	HYD S-TINE TRACK REMOVER KIT	1
1	231006	ARM ASM, HYD HARROW MNT (SEE PAGE 1-80)	2
2	3K176	U-BOLT 3/4-10 X 7-1/2 X 7-3/16	4
3	1-861-010032-20	WASHER, FLAT, 3/4 ZP/CD	8
4	1-512-010005-15	NUT, HEX SLFLKG GRB 3/4-10	8
5	212518	TUBE SQ 2 X 0.25 X 165	1
6	218273	U-BOLT, 5/8-11 X 2-11/16 X 4-1/2	2
7	6K970	WASHER, 0.656 X 2.063 X 0.375, ZP	4
8	1-512-010005-13	NUT, HEX SLFLKG GRB, 5/8-11	4
9	241374	BRACKET, 4-HOLE BULKHEAD	1
10	1-654-010049-05	SCREW HX CP 5/16-18UNCX1 GR5	2
11	234112	NUT,FLANGE NY-LOK 5/16-18	2
12	2703-LN-6	BULKHEAD TEE, #6 JIC	2
13	102-1267	FTG,45EL 06SAEM X 06SAEF SWVL	2
14	202702-8-8S	ADAPTER #8 O-RING TO #8 TUBE	2
15	141828	COUPLER,MALE 3/4-16 O-RING	2
16	71509006	HOSE ASM 1/4 X 80	4
17	133454	HOSE ASSY 3/8X214 #8STRX#6-90	2
18	155528	HOSE WRAP, BLUE 1" ID X 8"	1
19	172973	HOSE WRAP, RED	1
20	1J887	S-TINE, 10mm X 32mm	12
21	1J834	CLAMP	12
22	2J241	SCREW, 7/16NC X 3-1/2, RDHD	12
23	101988	NUT, HEX SLFLKG 7/16-14, GRB	12
24	2J155	HEAVY DUTY REVERSIBLE POINT	4
25	7D014	DUCKFOOT POINT, 2-1/2"	8
26	7D728	CULTIVATOR BOLT 3/8-16 X 1-3/4	12
27	5J616	FLANGE, LOCK NUT 3/8-16	12
28	1-796-010004-02	TIE, STRAP,PLASTIC .301X13.38	10

S-Tine Hydraulic Harrow Arm Mount

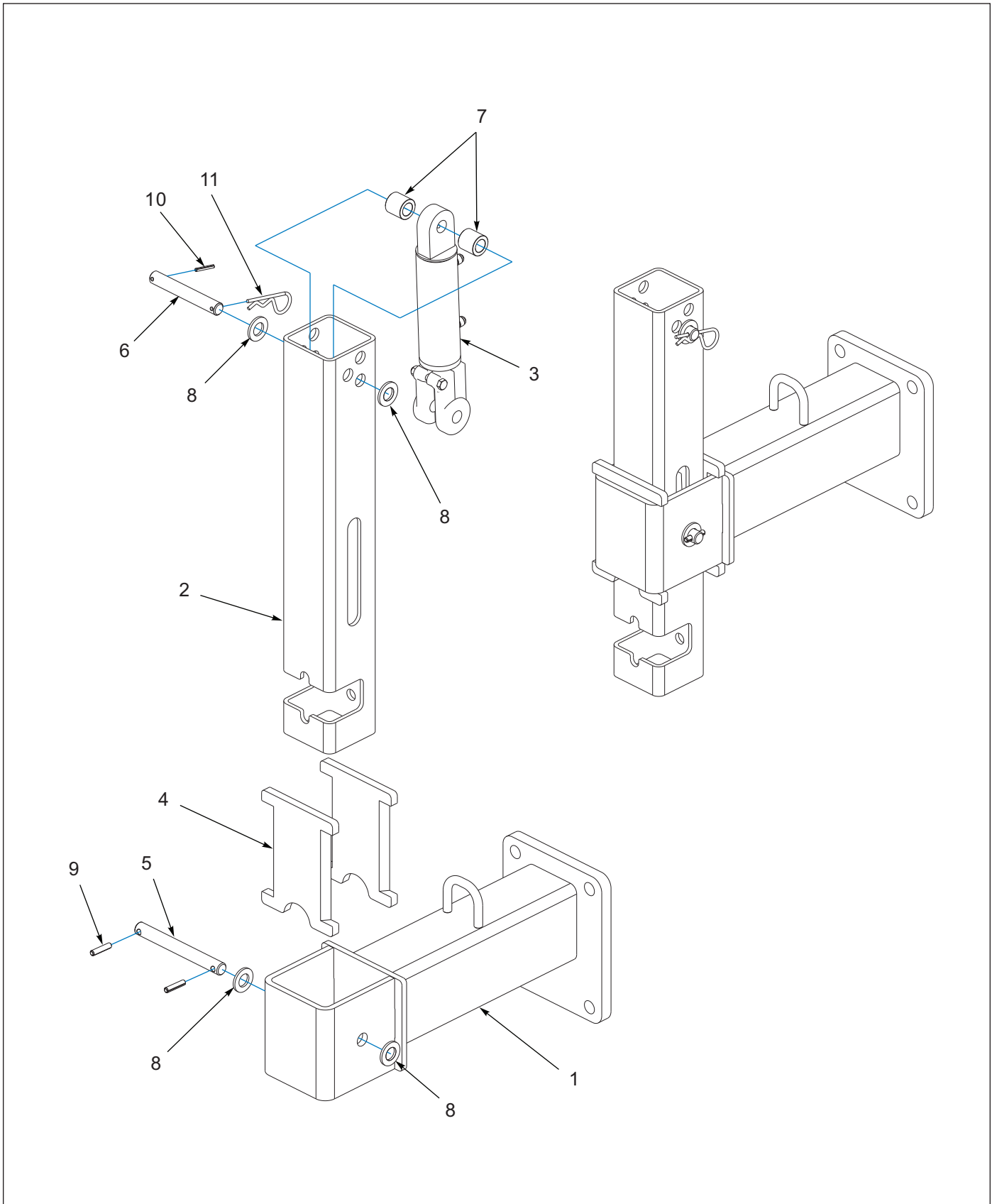


Figure 1-45: S-Tine Hydraulic Harrow Arm Mount

S-Tine Hydraulic Harrow Arm Mount

ITEM	PART NUMBER	DESCRIPTION	QTY
	231006	ARM ASM, HYD HARROW MNT	1
1	231003	BRACKET,HARROW MOUNTING WLDMT	1
2	231004	TUBE,HYD HARROW ADJUST	1
3	204810	HYD CYL,2 X 3 (SEE PAGE 1-104)	1
4	231005	THRUST PLATE	2
5	229398	PIN, 0.75 X 6.75 H2	1
6	9J111	PIN (3/4 X 5-5/16)	1
7	229399	SPACER, .78X1.25X1.19	2
8	1-861-010032-20	WASHER, FLAT,3/4 N ZP/CD	4
9	1-647-010004236	SPRING PIN,SLOTTED 5/16X1-1/2	2
10	1-647-010004177	PIN,SPRING,SLTD 3/16X1-1/2	1
11	1D594	HAIR PIN COTTER .178X3-9/16	1

ILLUSTRATED PARTS LIST

Scale Indicator Mounts - Optional

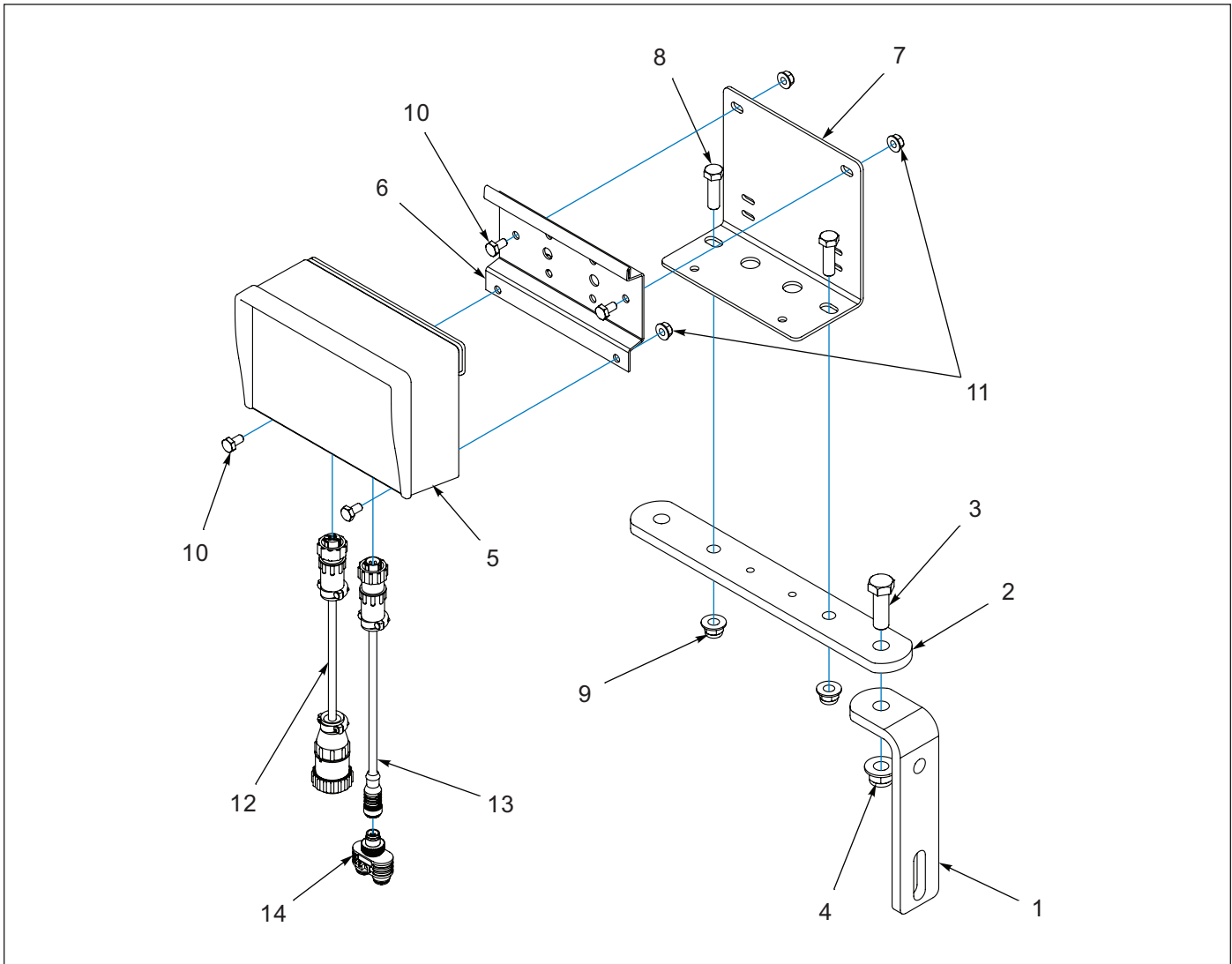


Figure 1-46: Scale Indicator and Clutch/Seed Shaft Sensor Console - Optional

Scale Indicator Mounts - Optional

ITEM	PART NUMBER	DESCRIPTION	QTY
1	208527	ANGLE BRACKET, INTERFACE	1
2	208528	STRAIGHT BRACKET, INTERFACE	1
3	1-654-010055-03	SCREW,HEX CAP,1/2-13UNCX1-1/2	1
4	2P253	NUT, FLANGE NY-LOK, 1/2-13	1
5	218235	SCALE INDICATOR, GT400	1
6	218249	BRACKET, GT400 INDICATOR	1
7	218250	BRACKET, SCALE DISPLAY MNT	1
8	1-654-010051-06	HHCS, 3/8-16 X 1-1/4	2
9	2P252	NUT, FLANGE NY-LOK 3/8-16	2
10	104877	HHCS, 1/4-20 X 1/2	4
11	108417	NUT, SPIRAL 1/4-20 HEX FLANGED	2
12	218248	POWER CABLE 10 FT	1
13	218247	INDICATOR CABLE	1
14	205211	3 - PORT SPLITTER	1

Scale Electrical Schematic - Optional

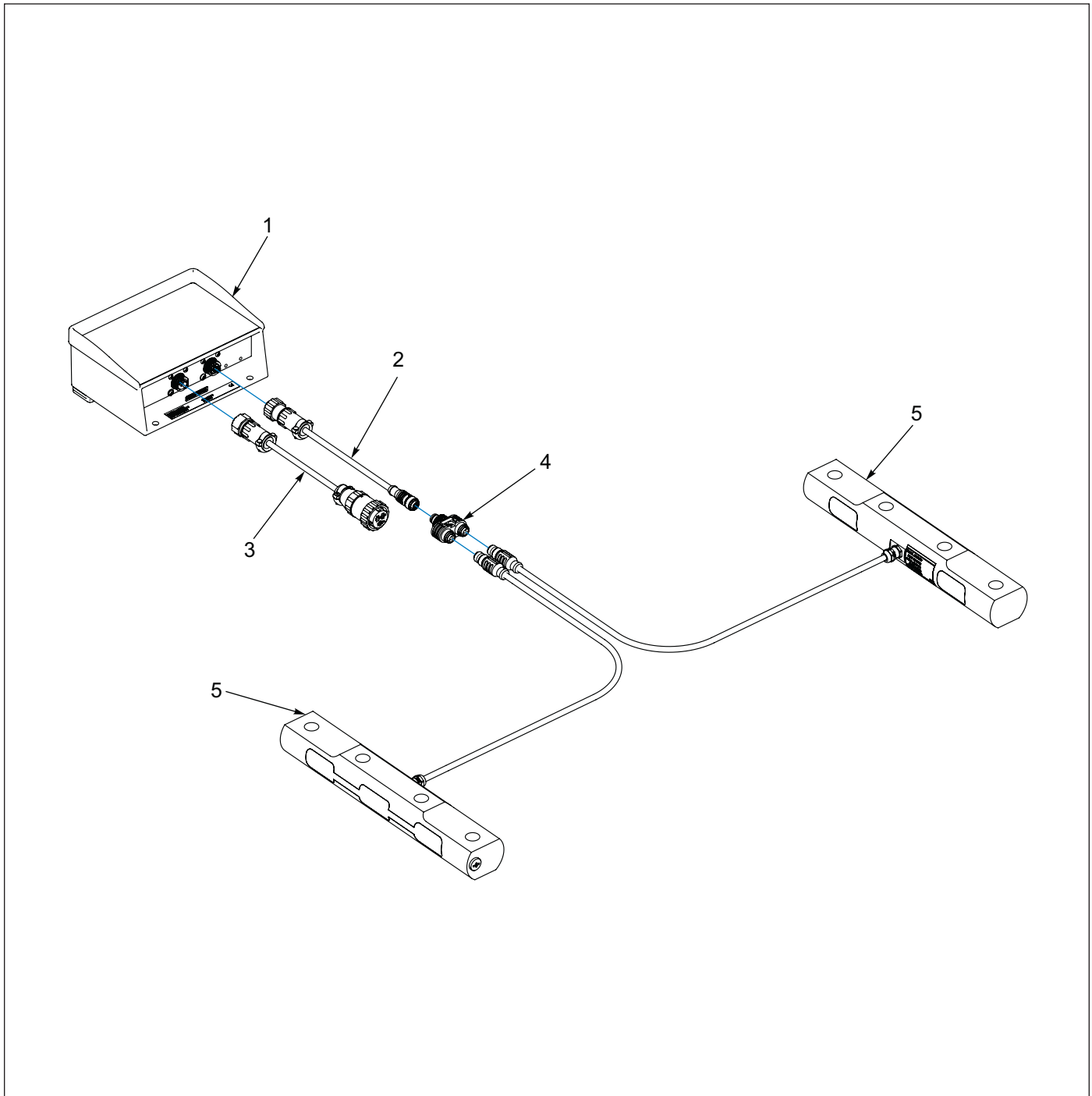


Figure 1-47: Scale Electrical Schematic - Optional

Scale Electrical Schematic - Optional

ITEM	PART NUMBER	DESCRIPTION	QTY
1	218235	GT400 SCALE INDICATOR	1
2	218247	INDICATOR CABLE	1
3	218248	POWER CABLE	1
4	205211	SPLITTER, J-BLOCK	1
5	200996	LOAD CELL	2

Acre Meter - Optional (Used with Basic Clutch Control)

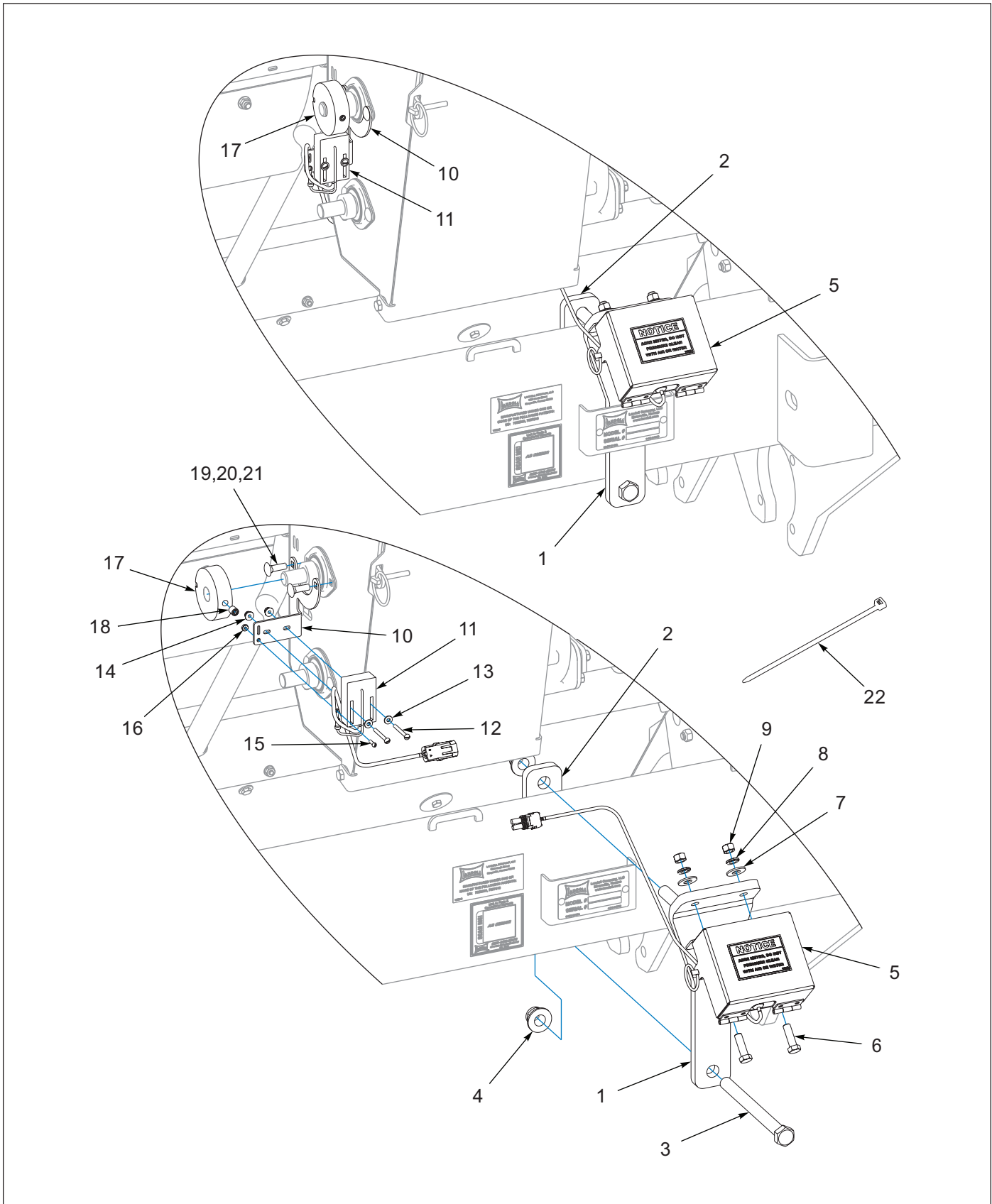


Figure 1-48: Acre Meter - Optional (Used with Basic Clutch Control)

Acre Meter - Optional (Used with Basic Clutch Control)

ITEM	PART NUMBER	DESCRIPTION	QTY
	224179	KIT, ACRE METER SS16	1
1	218245	BRACKET,ACRE METER	1
2	214079	PLATE,2-HOLE,7.688 SPACING	1
3	113064	SCREW HX CP,5/8-11UNCX7,GR5	2
4	2P254	NUT, FLANGE NY-LOK 5/8-11	2
5	5K310	ACRE METER ASSEMBLY (SEE PAGE 1-86)	1
6	1-654-010051-06	SCREW, HEX CAP 3/8-16UNC X 1-1/4, GR5	2
7	1-861-010032-11	WASHER, FLAT 3/8 W, ZP/CD	2
8	1-861-010034-11	WASHER, LKG HLCL SPR, 3/8	2
9	1-512-010007-07	NUT, HEX 3/8-16, ZP	2
10	233492	BRACKET, PICKUP SWITCH	1
11	153862	SWITCH ASSEMBLY, ELECTRONIC ACRE	1
12	5K262	SCREW,RD HD MACH #8-32X1-1/4	2
13	1-861-010032-02	WASHER, FLAT #8, ZP/CD	2
14	234115	NUT,FLANGE NY-LOK #8-32	2
15	1-654-010024006	SCREW,MACH,SLOT FILL,6-32X1/2	1
16	12D6E	NUT, HEX HD #6-32	1
17	5K277	MAGNET WHEEL ASM (INCLUDES ITEM 18)	1
18	122709	SET SCREW, 3/8-16 X 1/2 CUP PT, ZP	1
19	104031	SCREW,RDHD,SQNK 5/16-18X1 GR5	2
20	1-861-010034-10	WASHER,LKG 5/16	2
21	1-512-010007-06	NUT, HEX 5/16-18 GR2 ZP	2
22	105-0228	TYWRAP 8IN LG TY-5272MX	3

ILLUSTRATED PARTS LIST

Acre Meter Assembly - Optional

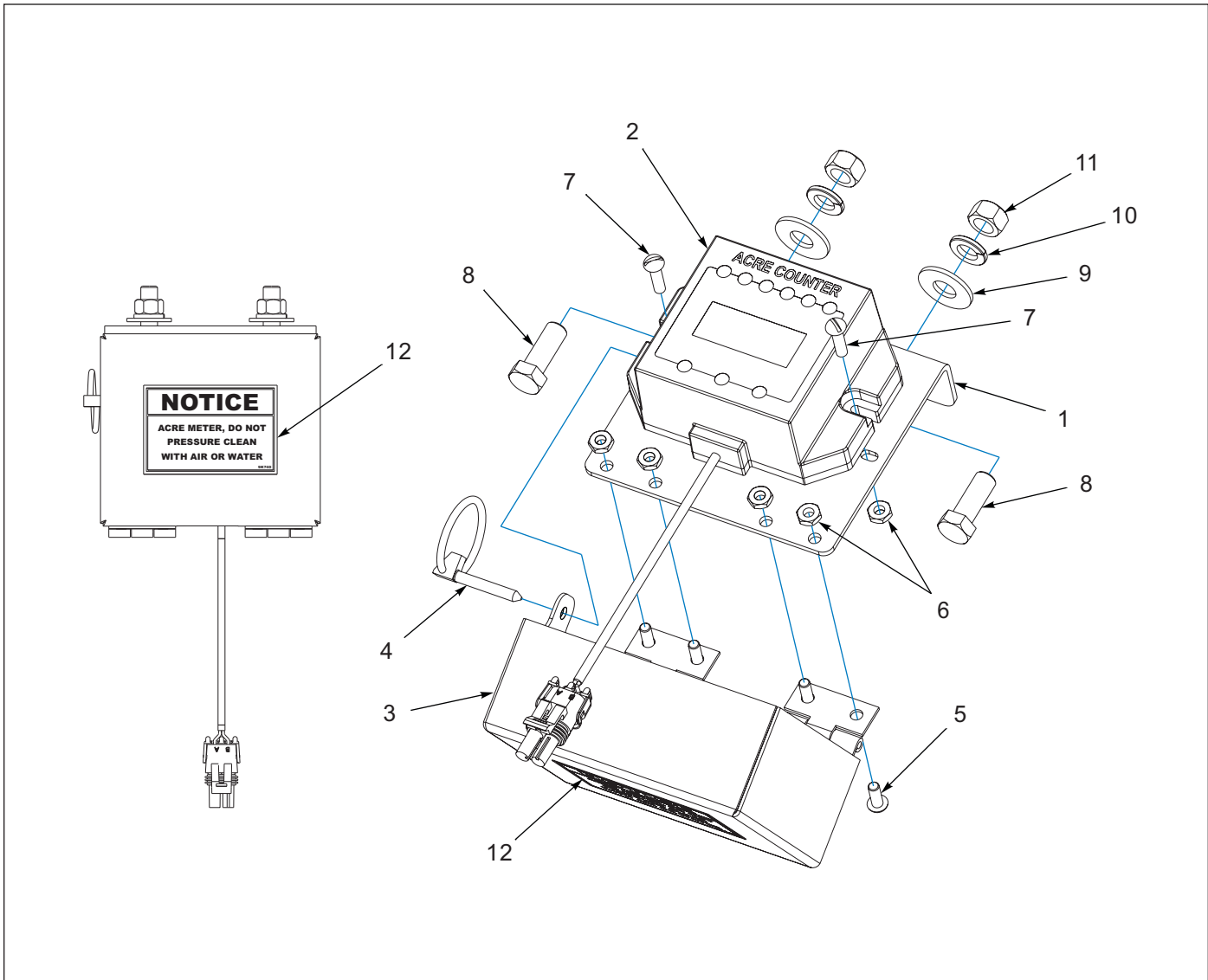


Figure 1-49: Acre Meter Assembly - Optional

Acre Meter Assembly - Optional

ITEM	PART NUMBER	DESCRIPTION	QTY
	5K310	ACRE METER ASSEMBLY	1
1	170943	MOUNT-METER	1
2	170948	CONSOLE, ELECTRONIC ACRE	1
3	170946	COVER, ACRE METER WELDMENT	1
4	5D129	KILK-PIN, 3/16 X 1-1/4	1
5	1C213	RND HD, #10-24 X 1/2, ZP	4
6	1-512-010007-03	NUT HEX, 10-24	6
7	1-656-010003051	SCREW, RD HD MACH #10-24 X 3/4	2
8	1-654-010051-05	BOLT, 3/8-16 X 1-1/4	2
9	1-861-010032-11	WASHER, FLAT 3/8 W, ZP/CD	2
10	1-861-010034-11	WASHER, LKG HLCL SPR, 3/8	2
11	1-512-010007-07	NUT, HEX 3/8-16, ZP	2
12	9K740	DECAL, ACRE METER	1

Basic Clutch Control Switch Box

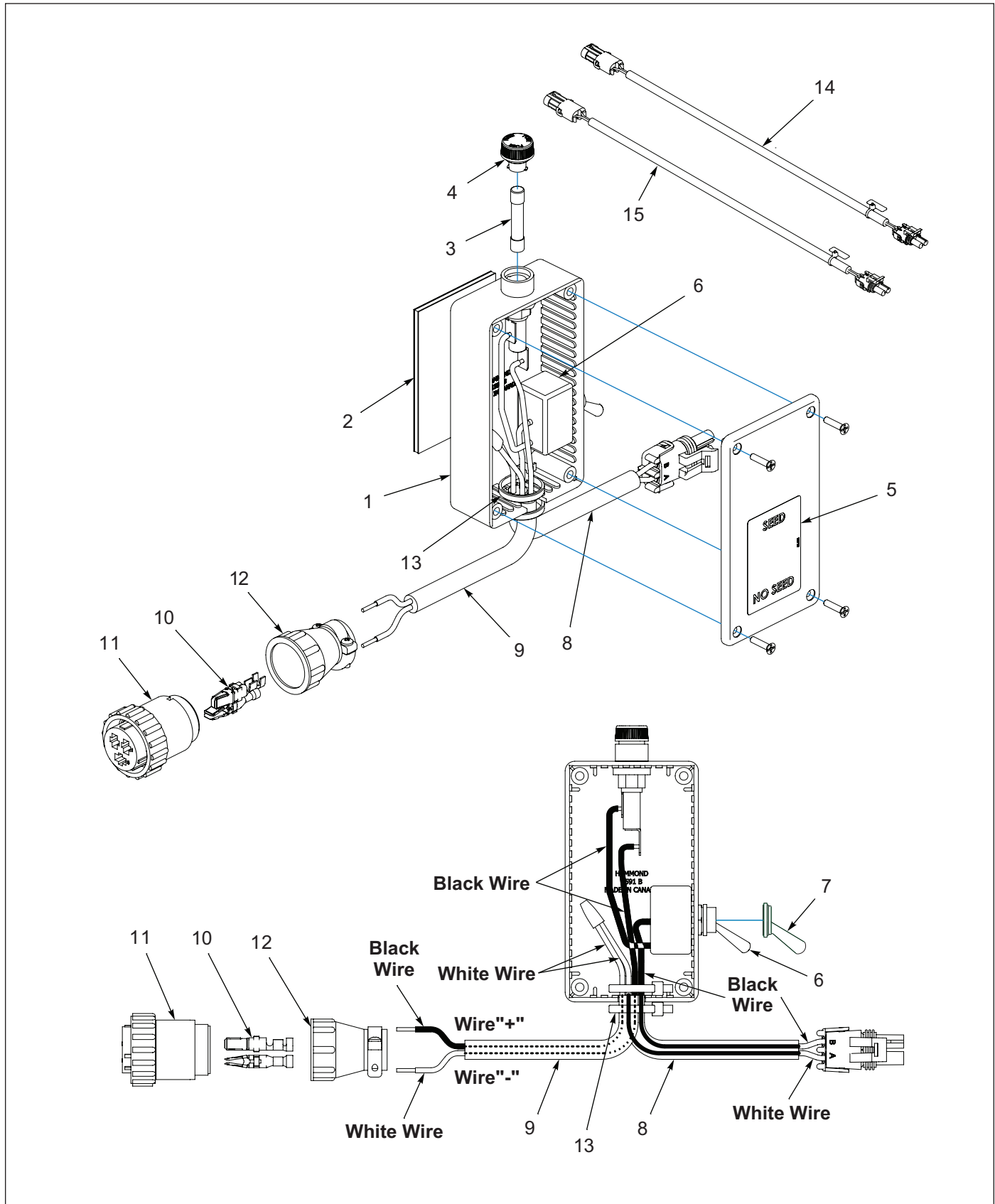


Figure 1-50: Basic Clutch Control Switch Box

Basic Clutch Control Switch Box

ITEM	PART NUMBER	DESCRIPTION	QTY
	234471	SWITCH BOX ASSY (INCLUDES ITEMS 1 - 13)	1
1	5K398	SWITCH BOX	1
2	5K416	FASTENER PANEL - HOOK & LOOP	1
3	5K400	FUSE - 5 AMP	1
4	2-318-010009	FUSE HOLDER, PANEL MOUNT	1
5	5K402	DECAL - SEED/NO SEED	1
6	3-272-010017	TOGGLE SWITCH SEALED SPST	1
7	81264	RUBBER BOOT FOR ELECT SWITCH	1
8	5K387	5' WIRE ASSEMBLY	1
9	5K388	10' WIRE ASSEMBLY	1
10	194102	TERMINAL, POWER PLUG 16-12AWG	2
11	194104	POWER PLUG ASM,3-PIN,SIZE 17	1
12	194105	BACKSHELL ASM, SIZE 17	1
13	105-0214	TY-WRAP 1/16-1-1/8 TY-524MX	2
14	5K268	CABLE ASSY (20FT)	1
15	234477	EXT HARNESS,WP 2-PIN, 8 FT (DRAWBAR)	1
16	105-0228	TYWRAP 8IN LG TY-5272MX (NOT SHOWN)	30

Brillion Elite Mini Monitor - Single Box Electrical Layout

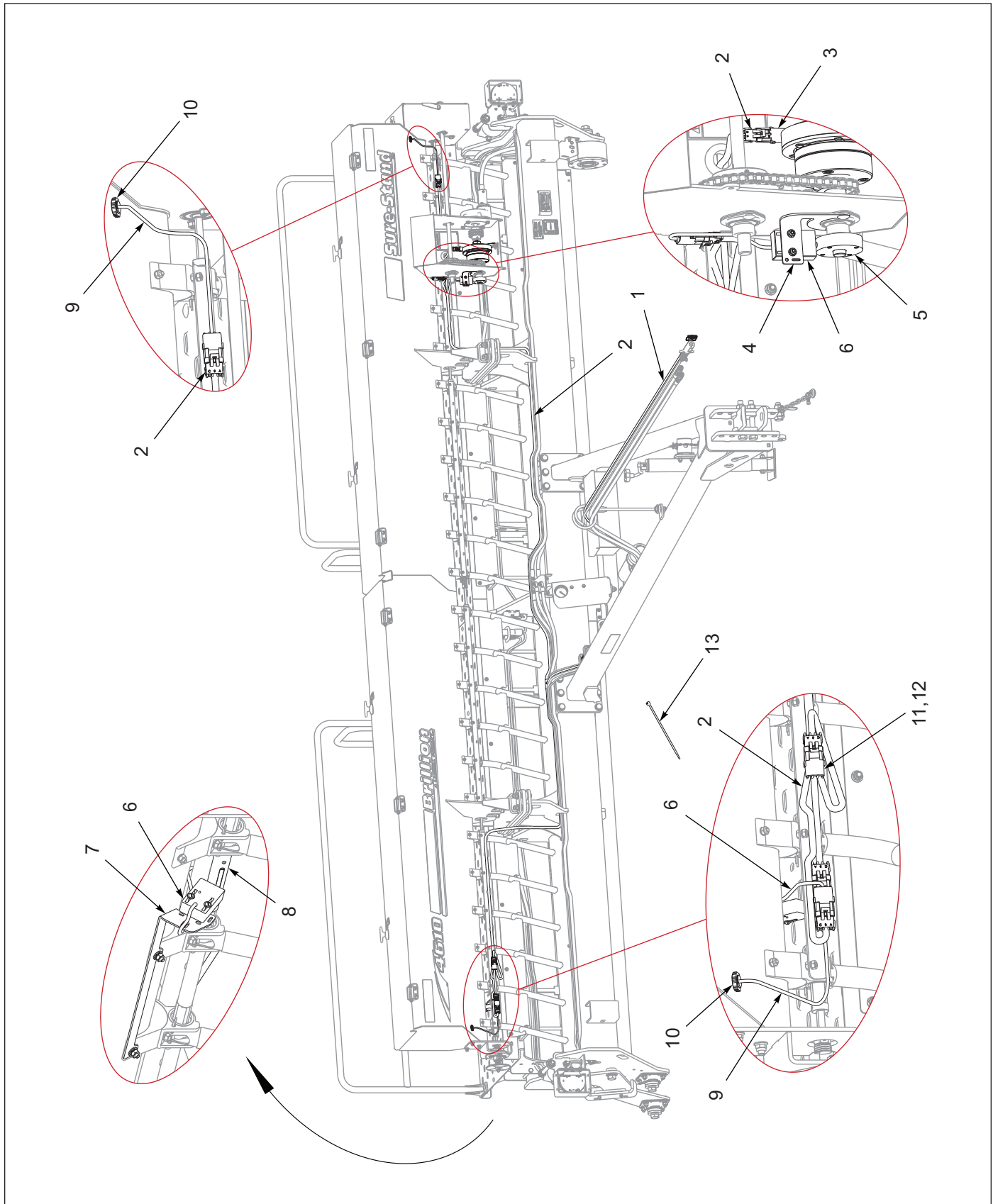


Figure 1-51: Brillion Elite Mini Monitor - Single Box Electrical Layout

Brillion Elite Mini Monitor - Single Box Electrical Layout

ITEM	PART NUMBER	DESCRIPTION	QTY
1	233481	HARNESS, 240" EXTENSION	1
2	233477	HARNESS, SEEDER	1
3	214119	CLUTCH AND SHAFT ASM (SEE PAGE 1-34)	1
4	233492	BRACKET, PICKUP SWITCH (SEE PAGE 1-98) (GROUND SPEED)	1
5	233494	ACTUATOR ASM, 3/4" SHAFT	1
6	174419	SENSOR, SMART SHAFT	2
7	234198	MOUNT, SENSOR 8.0 SP LGBX (SEE PAGE 1-99) (SEED METER SHAFT SENSOR)	1
8	234460	SPACER W/MAGNET, 5.025	1
9	174399	SENSOR, BIN LEVEL (SEE PAGE 1-101) (SEED METER BOX BIN LEVEL SENSOR)	2
10	234195	CORDGRIP, 0.17-0.45XM20THRD	2
11	194841	SHROUD, 3-PIN WEATHER PACK	1
12	151273	PLUG SEAL, CABLE CAVITY	3
13	105-0214	TY-WRAP 1/16-1-1/8 TY-524MX	100

Harness Connectors can be purchased separately. (**SEE PAGE 1-106 and 1-107**)

Brillion Elite Mini Monitor - Double Box Electrical Layout

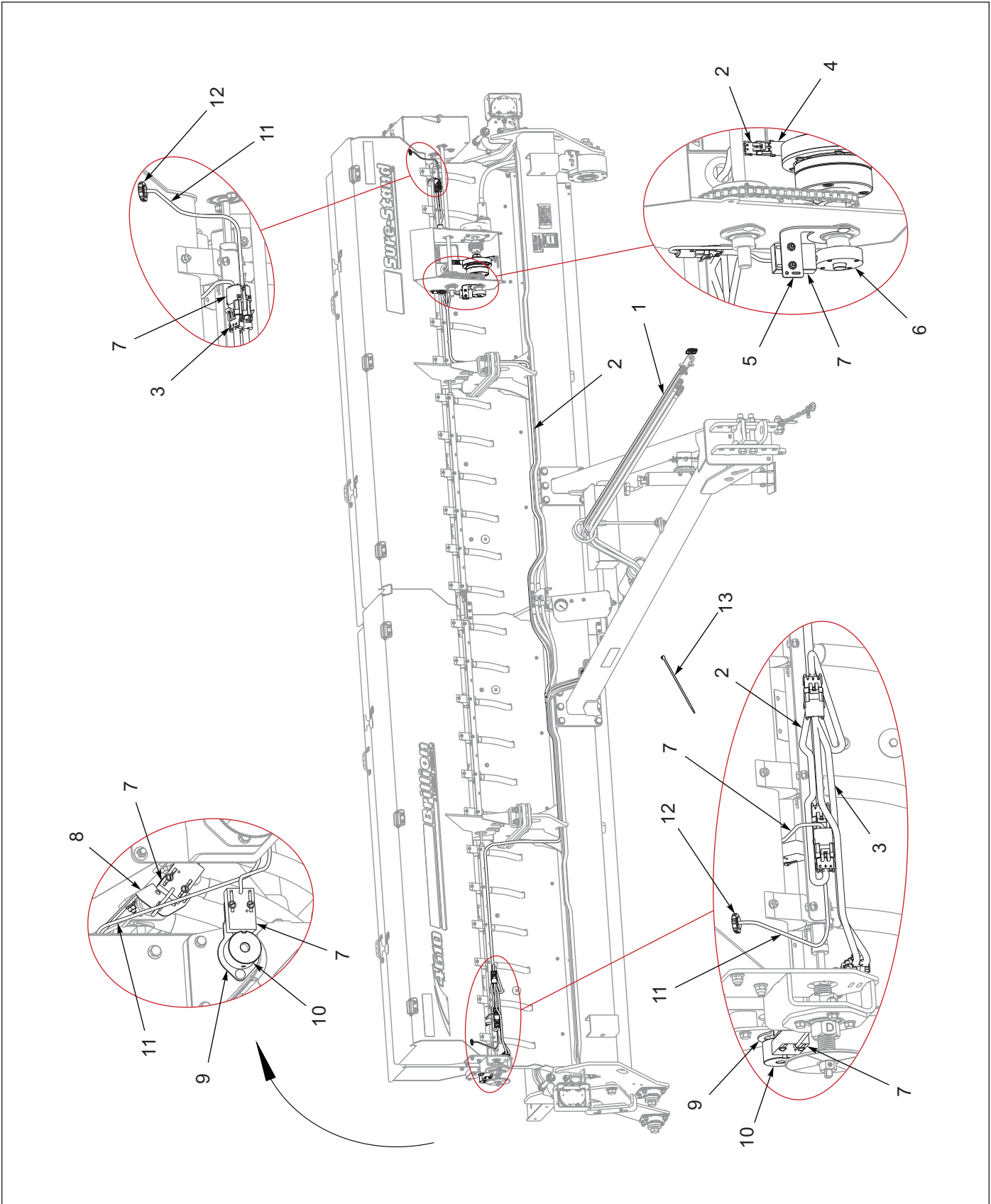


Figure 1-52: Brillion Elite Mini Monitor - Double Box Electrical Layout

Brillion Elite Mini Monitor - Double Box Electrical Layout

ITEM	PART NUMBER	DESCRIPTION	QTY
1	233481	HARNESS, 240" EXTENSION	1
2	233477	HARNESS, SEEDER	1
3	242450	HARNESS,SPLITTER,WP3-PIN	2
4	214119	CLUTCH AND SHAFT ASM (SEE PAGE 1-34)	1
5	233492	BRACKET, PICKUP SWITCH (SEE PAGE 1-98) (GROUND SPEED)	1
6	233494	ACTUATOR ASM, 3/4" SHAFT	1
7	174419	SENSOR, SMART SHAFT	3
8	234198	MOUNT,SENSOR 8.0 SP LGBX (SEE PAGE 1-99) (SEED METER SHAFT SENSOR)	1
9	238881	MOUNT,SENSOR (SEE PAGE 1-100) (AGITATOR SEED SHAFT SENSOR)	1
10	238883	MAGNET WHEEL ASM,THREADED	1
11	174399	SENSOR, BIN LEVEL (SEE PAGE 1-101) (SEE PAGE 1-102) (SEED METER BOX AND AGITATOR BOX BIN LEVEL SENSOR)	4
12	234195	CORDGRIP, 0.17-0.45XM20THRD	4
13	105-0214	TY-WRAP 1/16-1-1/8 TY-524MX	100

Harness Connectors can be purchased separately. (**SEE PAGE 1-106 and 1-107**)

Brillion Elite Mini Monitor - Single Seed Box Electrical Schematic

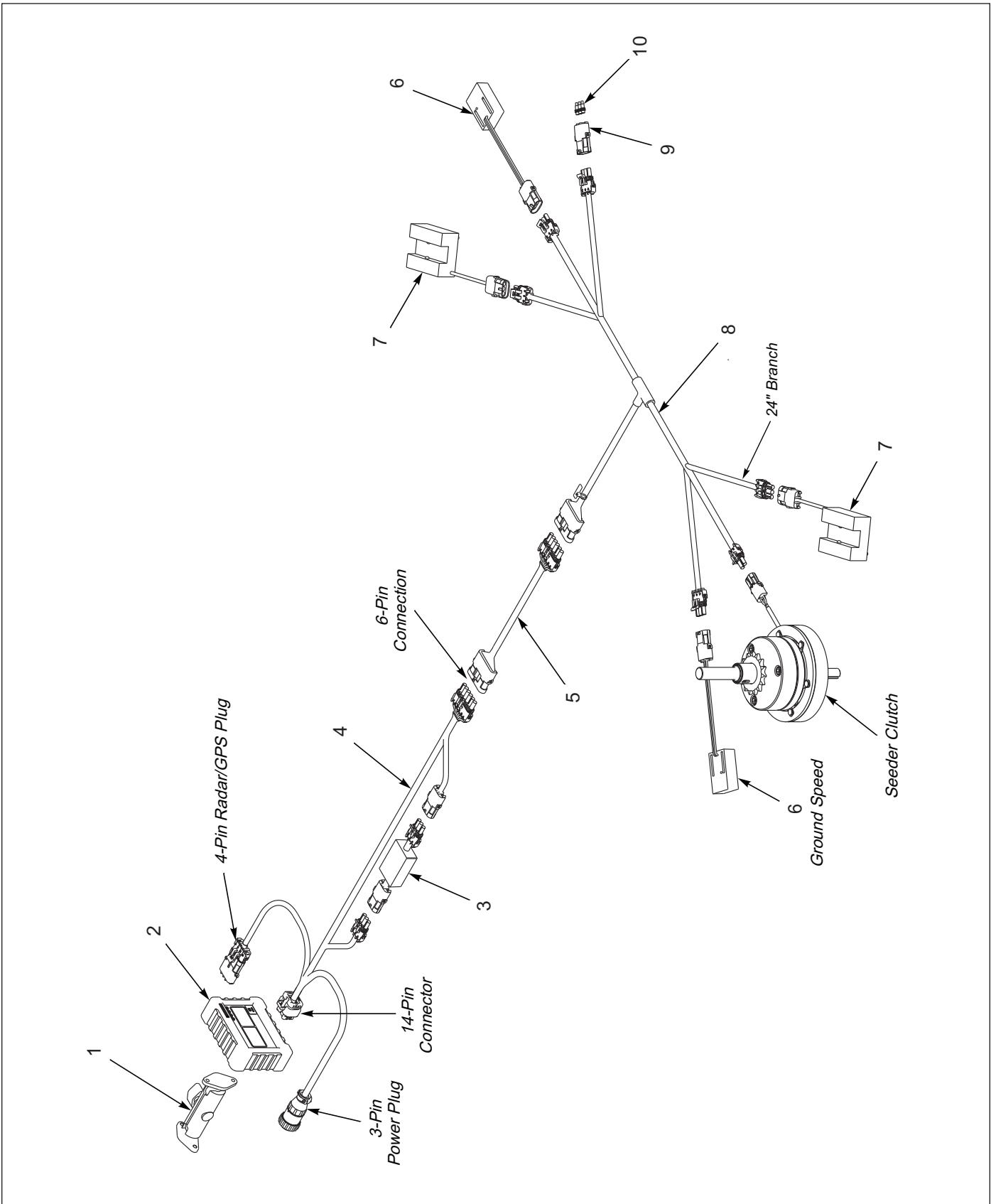


Figure 1-53: Brillion Elite Mini Monitor - Single Seed Box Electrical Schematic

Brillion Elite Mini Monitor - Single Seed Box Electrical Schematic

ITEM	PART NUMBER	DESCRIPTION	QTY
1	174434	MOUNT, LOUP II MONITOR	1
2	233483	MONITOR,BRILLION ELITE MINI	1
3	233480	SMART CLUTCH RELAY	1
4	233479	HARNESS, ELITE MINI, TRACTOR	1
5	233481	HARNESS, 240" EXTENSION	1
6	174419	SENSOR, SMART SHAFT	2
7	174399	SENSOR, BIN LEVEL	2
8	233477	HARNESS, SEEDER	1
9	194841	SHROUD,3-PIN WEATHER PACK	1
10	151273	PLUG SEAL,CABLE CAVITY	3

Harness Connectors can be purchased separately. (SEE PAGE 1-106 and 1-107)

Brillion Elite Mini Monitor - Double Seed Box Electrical Schematic

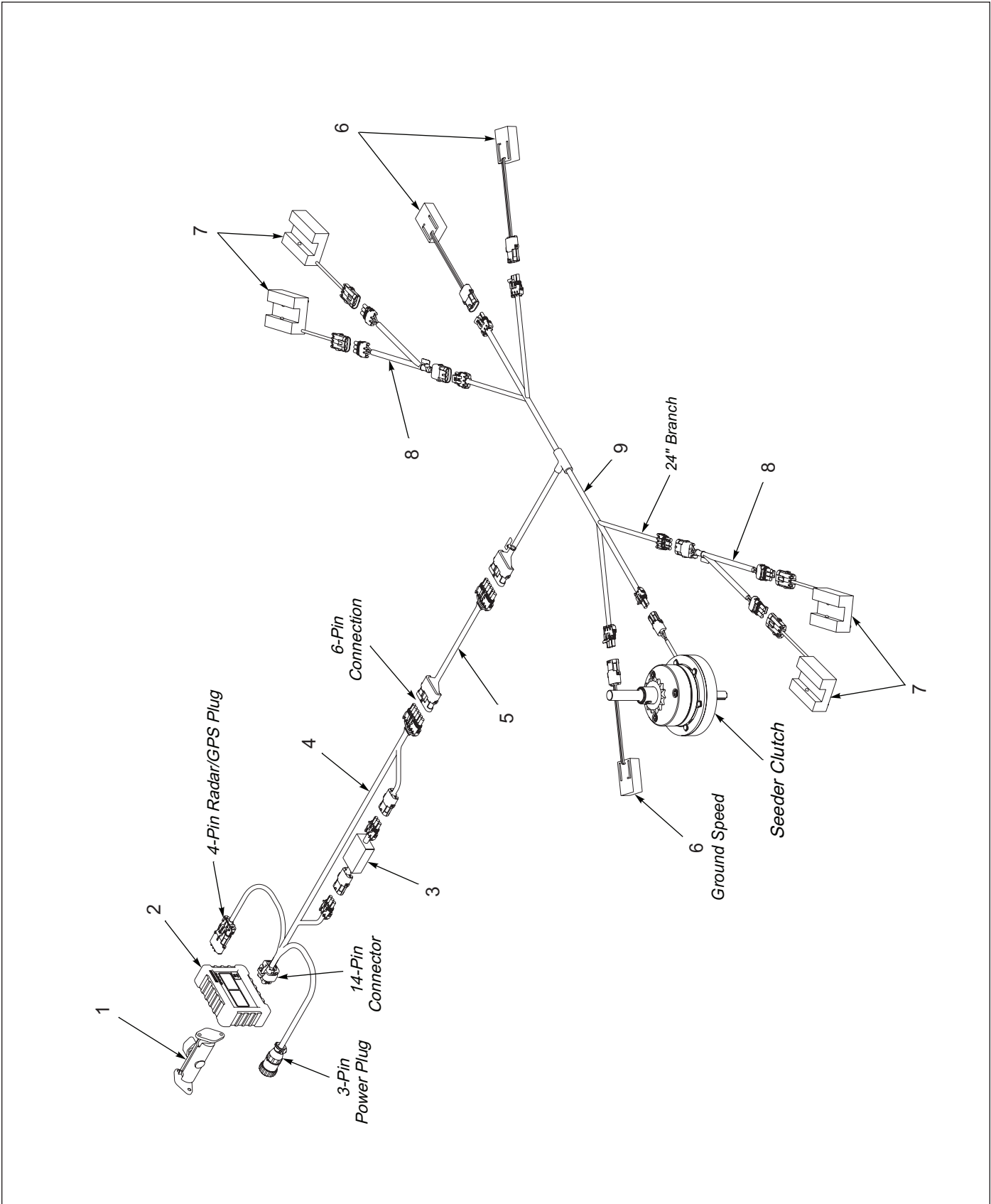


Figure 1-54: Brillion Elite Mini Monitor - Double Seed Box Electrical Schematic

Brillion Elite Mini Monitor - Double Seed Box Electrical Schematic

ITEM	PART NUMBER	DESCRIPTION	QTY
1	174434	MOUNT, LOUP II MONITOR	1
2	233483	MONITOR,BRILLION ELITE MINI	1
3	233480	SMART CLUTCH RELAY	1
4	233479	HARNESS, ELITE MINI, TRACTOR	1
5	233481	HARNESS, 240" EXTENSION	1
6	174419	SENSOR, SMART SHAFT	3
7	174399	SENSOR, BIN LEVEL	4
8	242450	HARNESS,SPLITTER,WP3-PIN	2
9	233477	HARNESS, SEEDER	1

Harness Connectors can be purchased separately. (SEE PAGE 1-106 and 1-107)

Brillion Elite Mini Monitor - Ground Speed

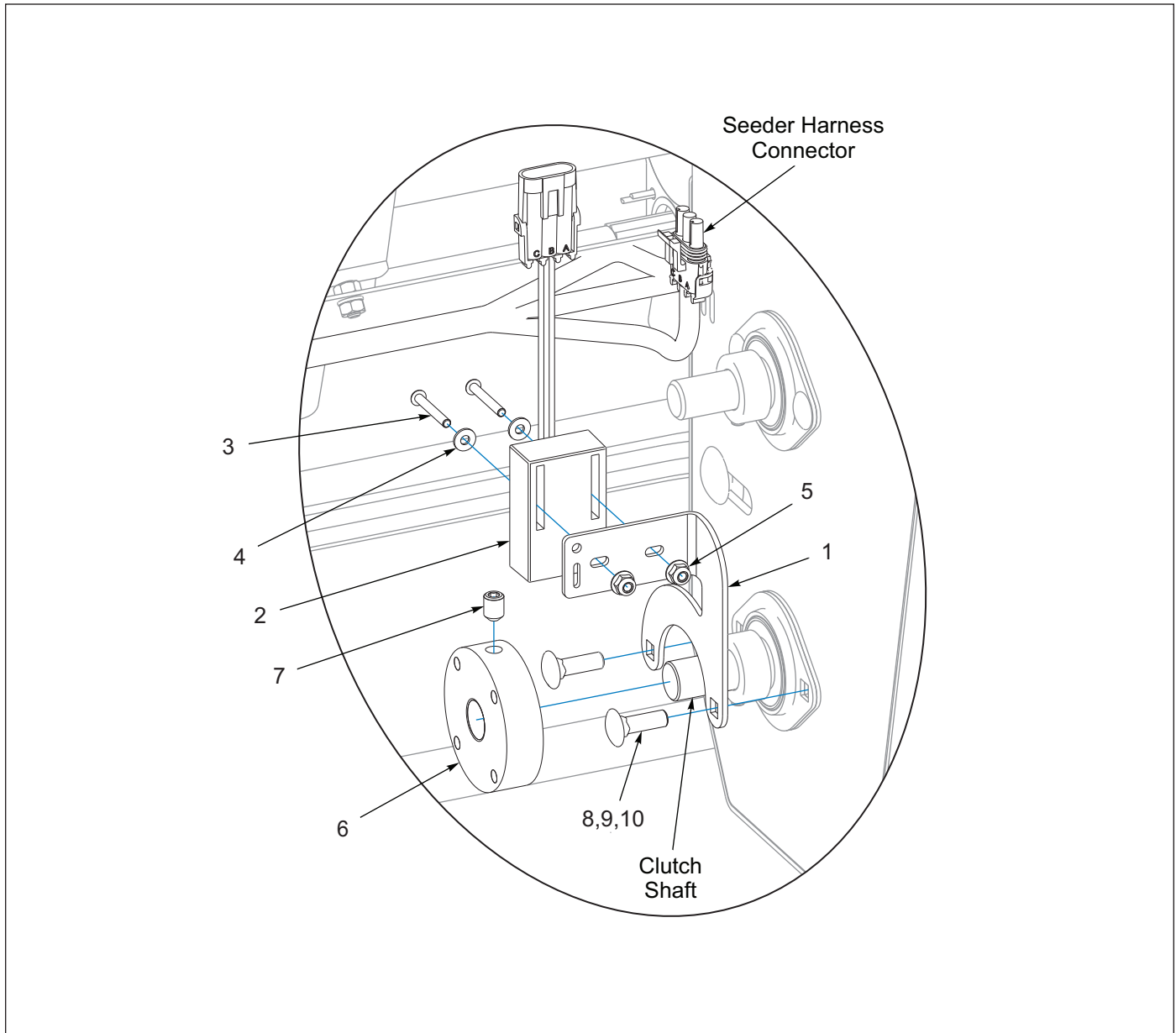


Figure 1-55: Brillion Elite Mini Monitor - Ground Speed

Brillion Elite Mini Monitor - Ground Speed

ITEM	PART NUMBER	DESCRIPTION	QTY
1	233492	BRACKET, PICKUP SWITCH	1
2	174419	SENSOR, SMART SHAFT	1
3	5K262	SCREW,RD HD MACH #8-32X1-1/4	2
4	1-861-010032-02	WASHER,FL #8 ZP/CD	2
5	234115	NUT,FLANGE NY-LOK #8-32	2
6	233494	ACTUATOR ASM, 3/4" SHAFT (INCLUDES ITEM 7)	1
7	122709	SCREW,SET,HXSKTCPPT 3/8-16X1/2	1
8	104031	SCREW,RDHD,SQNK 5/16-18X1 GR5	2
9	1-861-010034-10	WASHER,LKG 5/16	2
10	1-512-010007-06	NUT, HEX 5/16-18 GR2 ZP	2

Brillion Elite Mini Monitor - Seed Meter Shaft Sensor

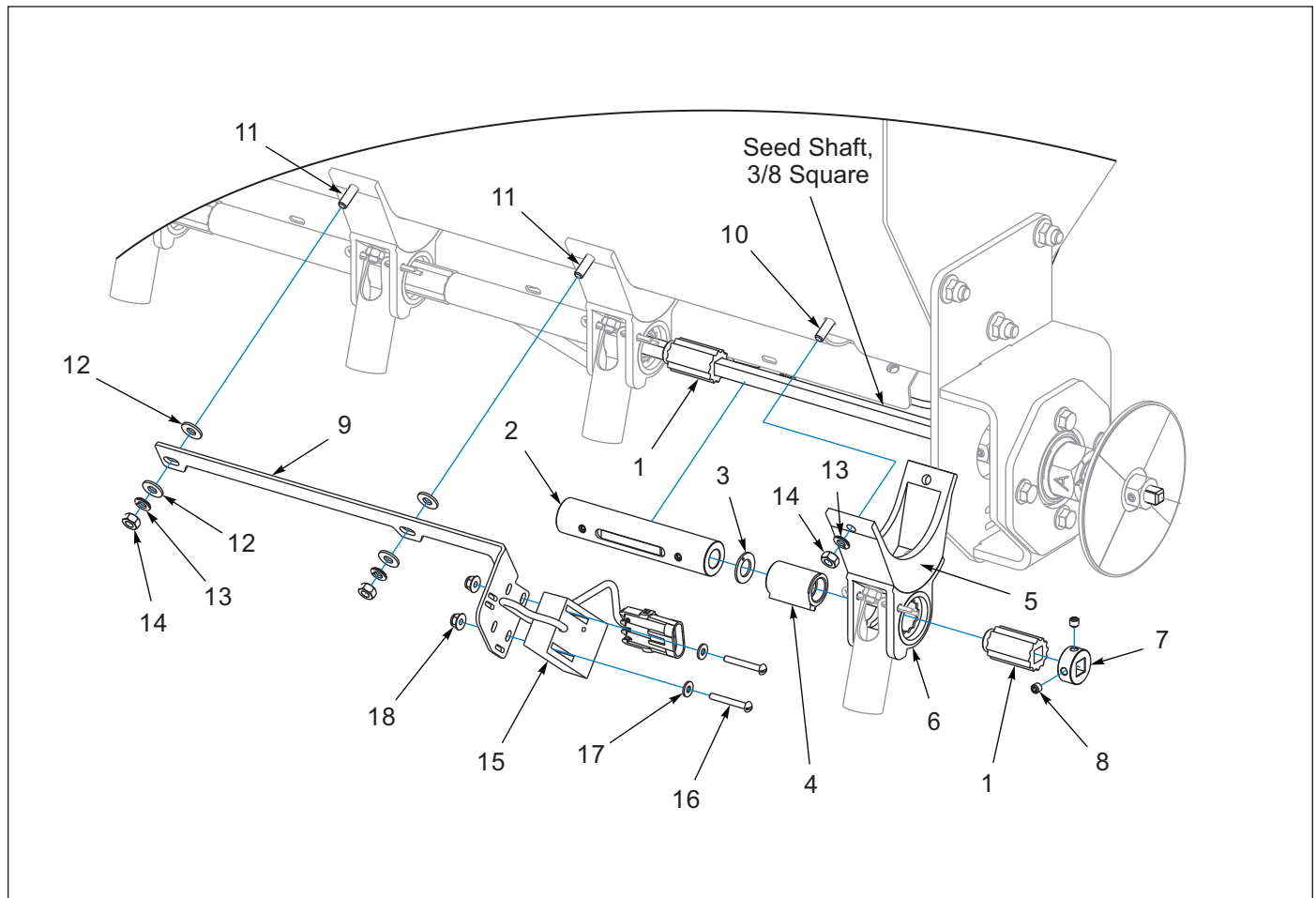


Figure 1-56: Brillion Elite Mini Monitor - Seed Meter Shaft Sensor

Brillion Elite Mini Monitor - Seed Meter Shaft Sensor

ITEM	PART NUMBER	DESCRIPTION	QTY
1	155873	METER, FEED ROLL	23
2	234460	SPACER W/MAGNET,5.025	1
3	214103	THRUST WASHER, 7/8X1/2X.06	24
4	155871	METER, FEED CUT OFF	24
5	6K201	SEED CUP ADAPTER	24
6	155874	METER, PLASTIC CUP W/HOLE	24
7	209830	COLLAR, 3/8 SQ BORE	7
8	118636	SCREW SSSH FT PT1/4-20X1/4 ZP	14
9	234198	MOUNT,SENSOR,8.0 SP LGBX	1
10	1C357	SCREW MACH HD 1/4-20NCX3/4	70
11	108787	SCREW, RD HD MACH 1/4-20 X 1	2
12	1-861-010032-06	WASHER, FLAT 1/4 N ZP/CD	4
13	1-861-010034-09	WASHER, LKG HLCL SPR, 1/4	2
14	1-512-010007-05	NUT, HEX 1/4-20	2
15	174419	SENSOR, SMART SHAFT	1
16	5K262	SCREW,RD HD MACH #8-32X1-1/4	2
17	1-861-010032-02	WASHER,FL #8 ZP/CD	2
18	234115	NUT,FLANGE NY-LOK #8-32	2

Brillion Elite Mini Monitor - Agitator Seed Shaft Sensor

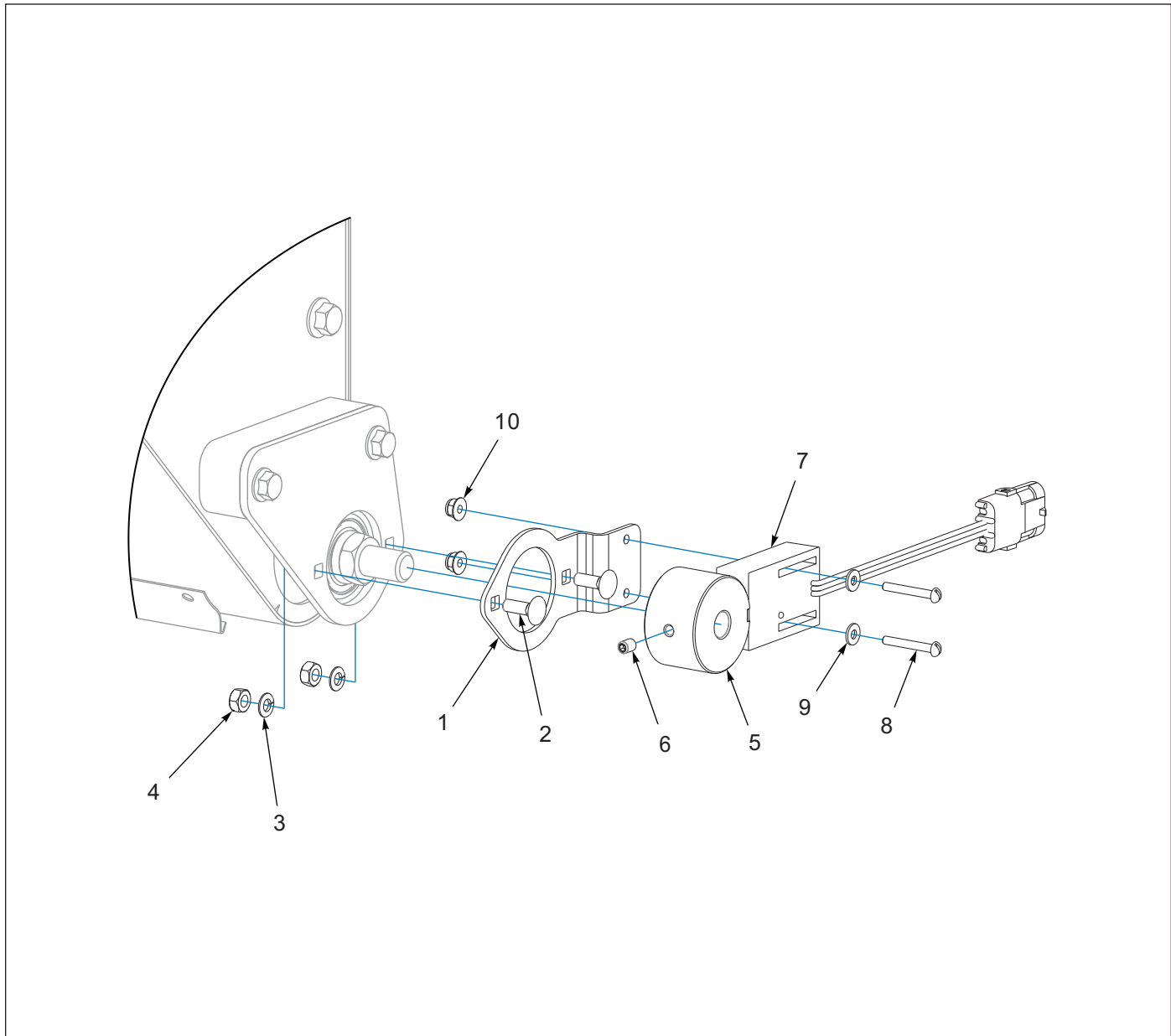


Figure 1-57: Brillion Elite Mini Monitor - Agitator Seed Shaft Sensor

Brillion Elite Mini Monitor - Agitator Seed Shaft Sensor

ITEM	PART NUMBER	DESCRIPTION	QTY
1	238881	MOUNT,SENSOR	1
2	1-654-010158-1	SCREW,RHD,SQ NCK,1/4-20UNCX3/4	2
3	1-861-010034-09	WASHER, LKG HLCL SPR, 1/4	2
4	1-512-010007-05	NUT, HEX 1/4-20 GR2 ZP	2
5	238883	MAGNET WHEEL ASM,THREADED	1
6	124032	SCREW SETHXSKTFTPT1/4-20X3/8Z	1
7	174419	SENSOR, SMART SHAFT	1
8	5K262	SCREW,RD HD MACH #8-32X1-1/4	2
9	1-861-010032-02	WASHER,FL #8 ZP/CD	2
10	234115	NUT,FLANGE NY-LOK #8-32	2

Brillion Elite Mini Monitor - Seed Meter Box Bin Level Sensor

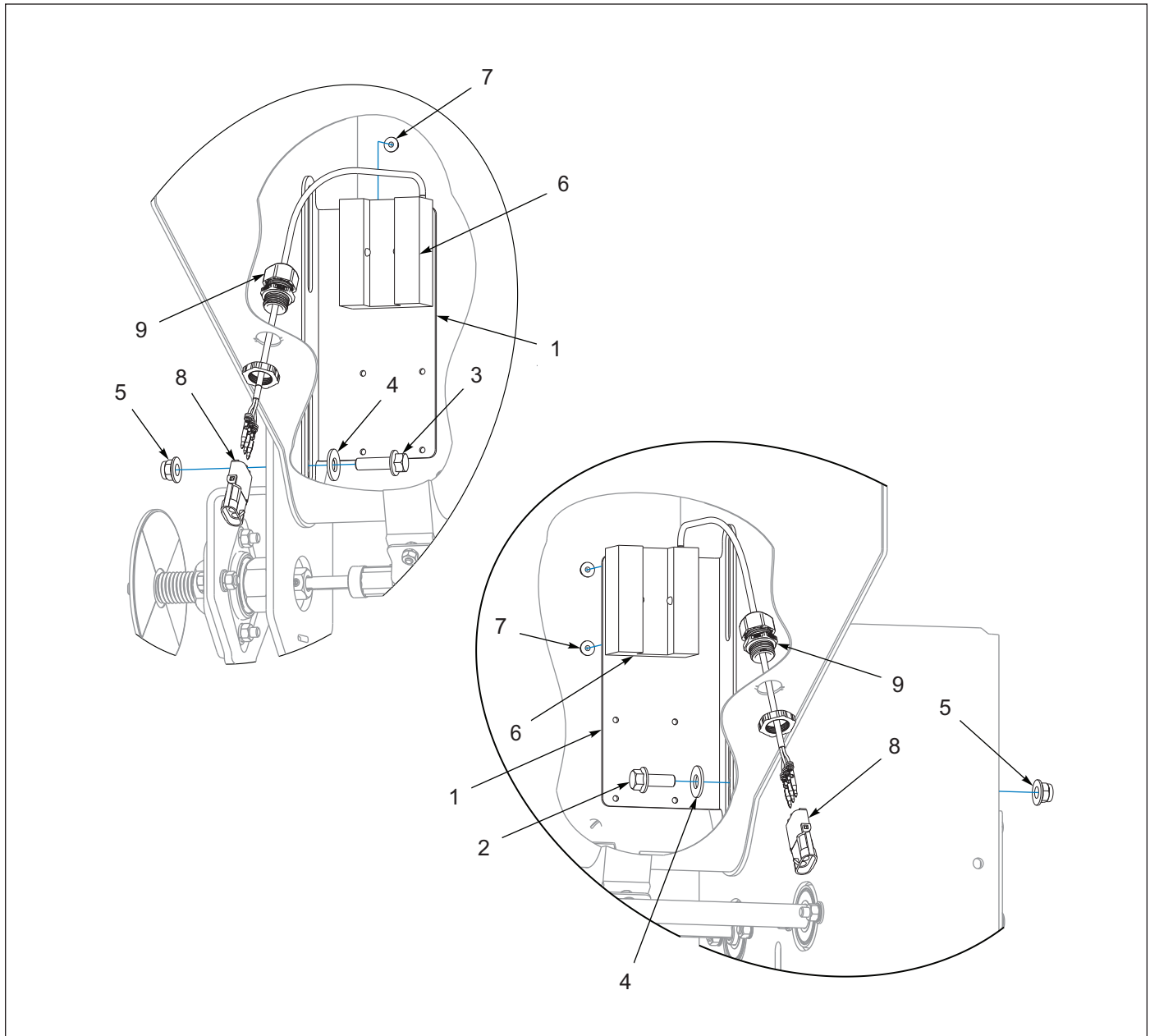


Figure 1-58: Brillion Elite Mini Monitor - Seed Meter Box Bin Level Sensor

Brillion Elite Mini Monitor - Seed Meter Box Bin Level Sensor

ITEM	PART NUMBER	DESCRIPTION	QTY
1	234458	BRACKET, BIN LEVEL	2
2	1-655-010003-05	SCREW,FLANGE HD 3/8-16X1 GR8	1
3	1-655-010003-06	SCREW FLG HD 3/8-16X1-1/4 GR8	1
4	1-861-010032-11	WASHER, FLAT 3/8 W ZP/CD	2
5	2P252	NUT, FLANGE NY-LOK 3/8-16	2
6	174399	SENSOR, BIN LEVEL	2
7	234115	NUT,FLANGE NY-LOK #8-32	4
8	194841	SHROUD,3-PIN WEATHER PACK	2
9	234195	CORDGRIP,0.17-0.45XM20THRD	2

Brillion Elite Mini Monitor - Agitator Box Bin Level Sensor

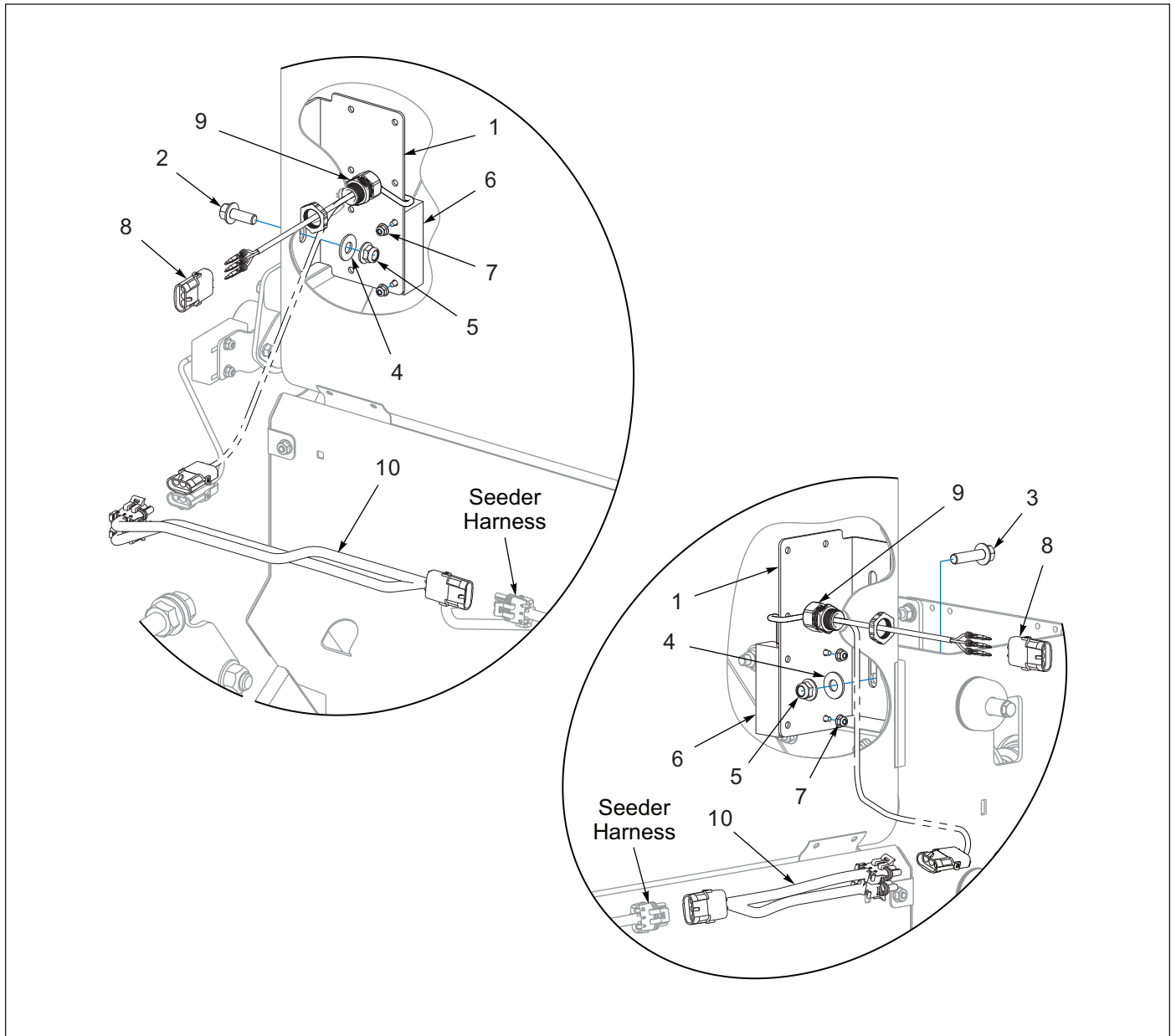


Figure 1-59: Brillion Elite Mini Monitor - Agitator Box Bin Level Sensor

Brillion Elite Mini Monitor - Agitator Box Bin Level Sensor

ITEM	PART NUMBER	DESCRIPTION	QTY
1	233490	BRACKET, BIN LEVEL SENSOR	2
2	1-655-010003-05	SCREW,FLANGE HD 3/8-16X1 GR8	1
3	1-655-010003-07	SCREW,FLG HD3/8-16 X 1-1/2,GR8	1
4	1-861-010032-11	WASHER, FLAT 3/8 W ZP/CD	2
5	2P252	NUT, FLANGE NY-LOK 3/8-16	2
6	174399	SENSOR, BIN LEVEL	2
7	234115	NUT,FLANGE NY-LOK #8-32	4
8	194841	SHROUD,3-PIN WEATHER PACK	2
9	234195	CORDGRIP,0.17-0.45XM20THRD	2
10	242450	HARNESS,SPLITTER,WP3-PIN	2

Brillion Elite Mini Monitor Tractor Mount

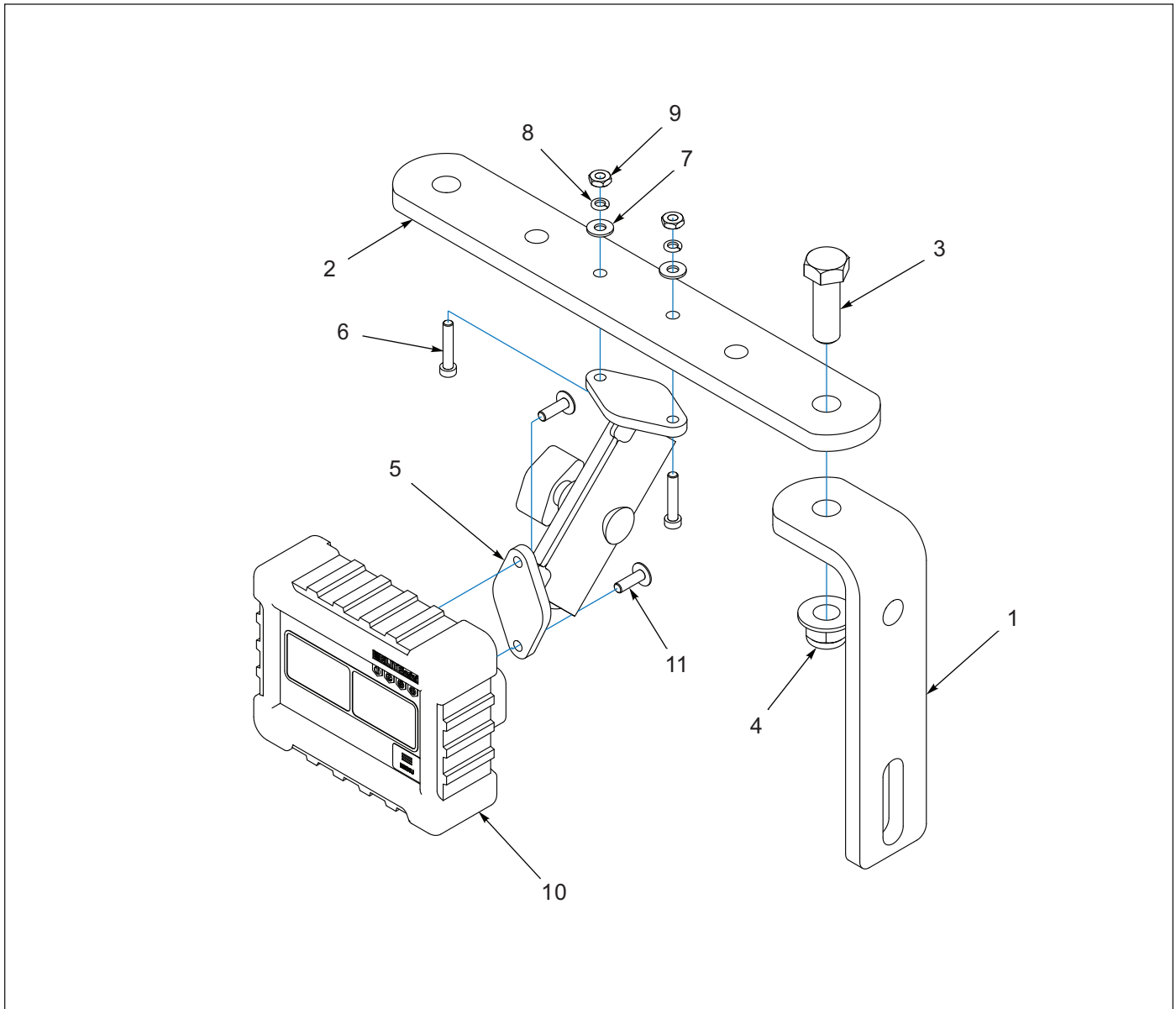


Figure 1-60: Brillion Elite Mini Monitor Tractor Mount

Brillion Elite Mini Monitor Tractor Mount

ITEM	PART NUMBER	DESCRIPTION	QTY
1	208527	ANGLE BRACKET,INTERFACE	1
2	208528	STRAIGHT BRACKET,INTERFACE	1
3	1-654-010055-03	SCREW,HEX CAP,1/2-13UNCX1-1/2	1
4	2P253	NUT, FLANGE NY-LOK 1/2-13	1
5	174434	MOUNT, LOUP II MONITOR	1
6	197150	SCREW MACK FILL #10-24X1, PHIL	2
7	1-861-010032-03	WASHER, FLAT #10 XP/CD	2
8	1-861-010034-07	WASHER,LKG,HLCL SPR, NO 10	2
9	1-512-010007-03	NUT, HEX 10-24 GR2 ZP	2
10	233483	MONITOR,BRILLION ELITE MINI	1
11	237780	SCREW, M5-0.8X16 FBHSC	2

ILLUSTRATED PARTS LIST

Hydraulic Cylinder, 2 x 3 - Prince

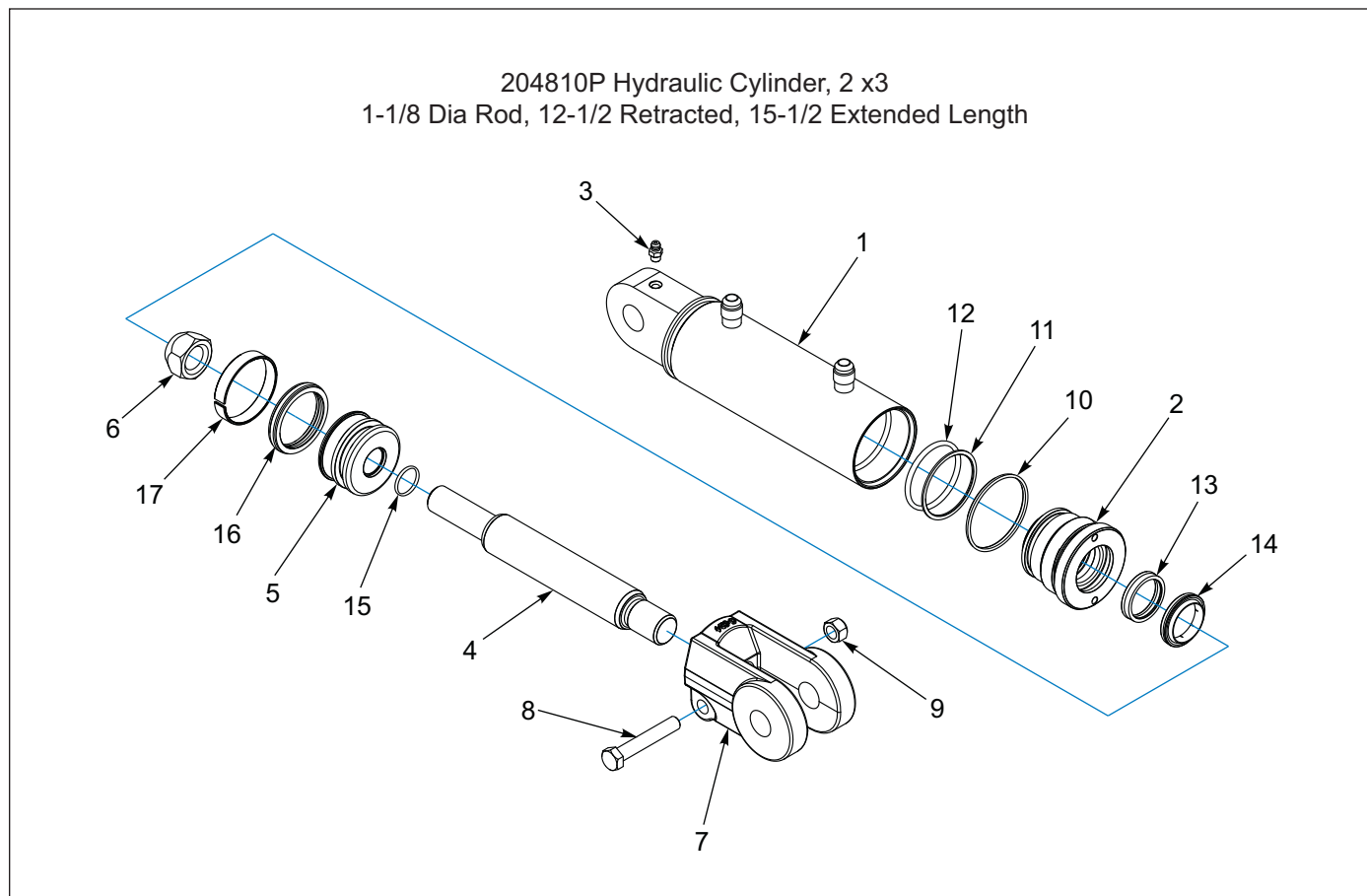


Figure 1-61: Hydraulic Cylinder, 2 x 3 - Prince

Hydraulic Cylinder, 2 x 3 - Prince

ITEM	PART NUMBER	DESCRIPTION	QTY
	204810	HYD CYLINDER, 2 X 3	1
1	-----	BUTT AND TUBE ASM	1
2	-----	GLAND	1
3	1-298-010001-1	FIT, GREASE 1/4-28 TAPER	1
4	-----	ROD	1
5	-----	PISTON	1
6	-----	LOCKNUT	1
7	-----	CLEVIS	1
8	1-654-010051-10	SCREW, HX CP 3/8-16 X 2-1/4, GR5	1
9	1-512-010005-05	NUT, HEX, SLFLKG GRB, 3/8-16	1
10	-----	O-RING	1
11	-----	BU-WASHER	1
12	-----	O-RING	1
13	-----	U-CUP	1
14	-----	ROD WIPER SEAL	1
15	-----	O-RING	1
16	-----	CROWN SEAL	1
17	-----	PISTON BEARING SEAL	1
18	208425	SEAL KIT (INCLUDES ITEMS 10-17)	1

Hydraulic Cylinder, 4 x 10 - Prince

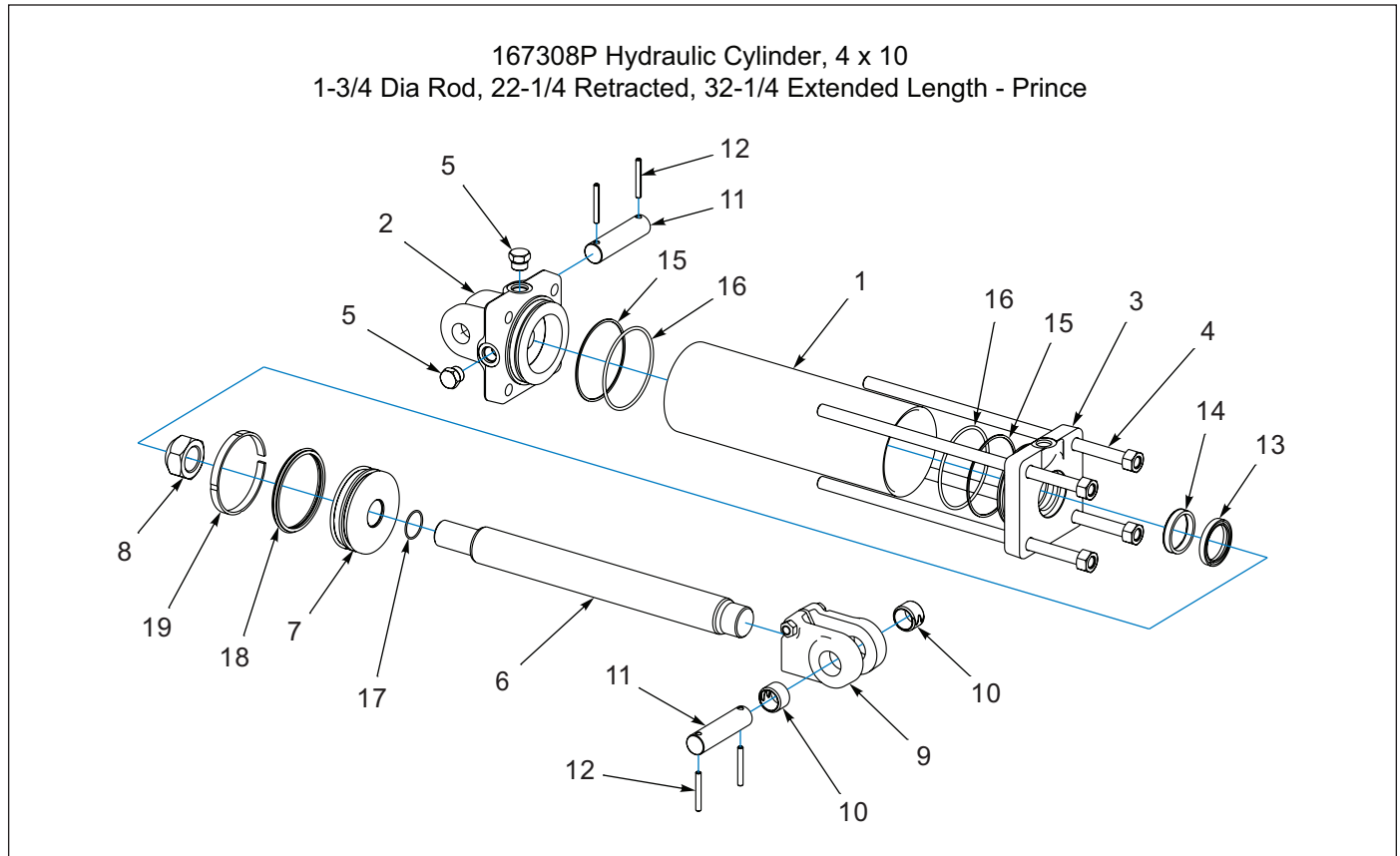


Figure 1-62: Hydraulic Cylinder, 4 x 10 - Prince

Hydraulic Cylinder, 4 x 10 - Prince

ITEM	PART NUMBER	DESCRIPTION	QTY
	167308	CYLINDER 4X10-3000 PSI BLACK	1
1	-----	TUBE	1
2	147743	BUTT CLEVIS ASSEMBLY	1
3	154101	GLAND	1
4	154103	TIEROD ASSEMBLY	4
5	1-007-010025	PLUG,3/4-16 O-RING BOSS	3
6	-----	PISTON ROD	1
7	-----	PISTON	1
8	220000212	NUT LOCKING 1-242-010042	1
9	154102	CLEVIS ASSEMBLY (INCLUDES ITEM 10)	1
10	113805	BUSHING FOR 102182 PRINCE	2
11	143994	PIN, CLEVIS	1
12	1-647-010004221	PIN,SPRING 1/4X2 SLOTTED	12
13	-----	WIPER	1
14	-----	U-CUP	1
15	-----	BU-WASHER	2
16	-----	O-RING	2
17	-----	O-RING	1
18	-----	CROWN SEAL	1
19	-----	PISTON BEARING RING	1
20	154104	PACKING KIT (INCLUDES ITEMS 13 - 19)	1

ILLUSTRATED PARTS LIST

Weather Pack Connectors

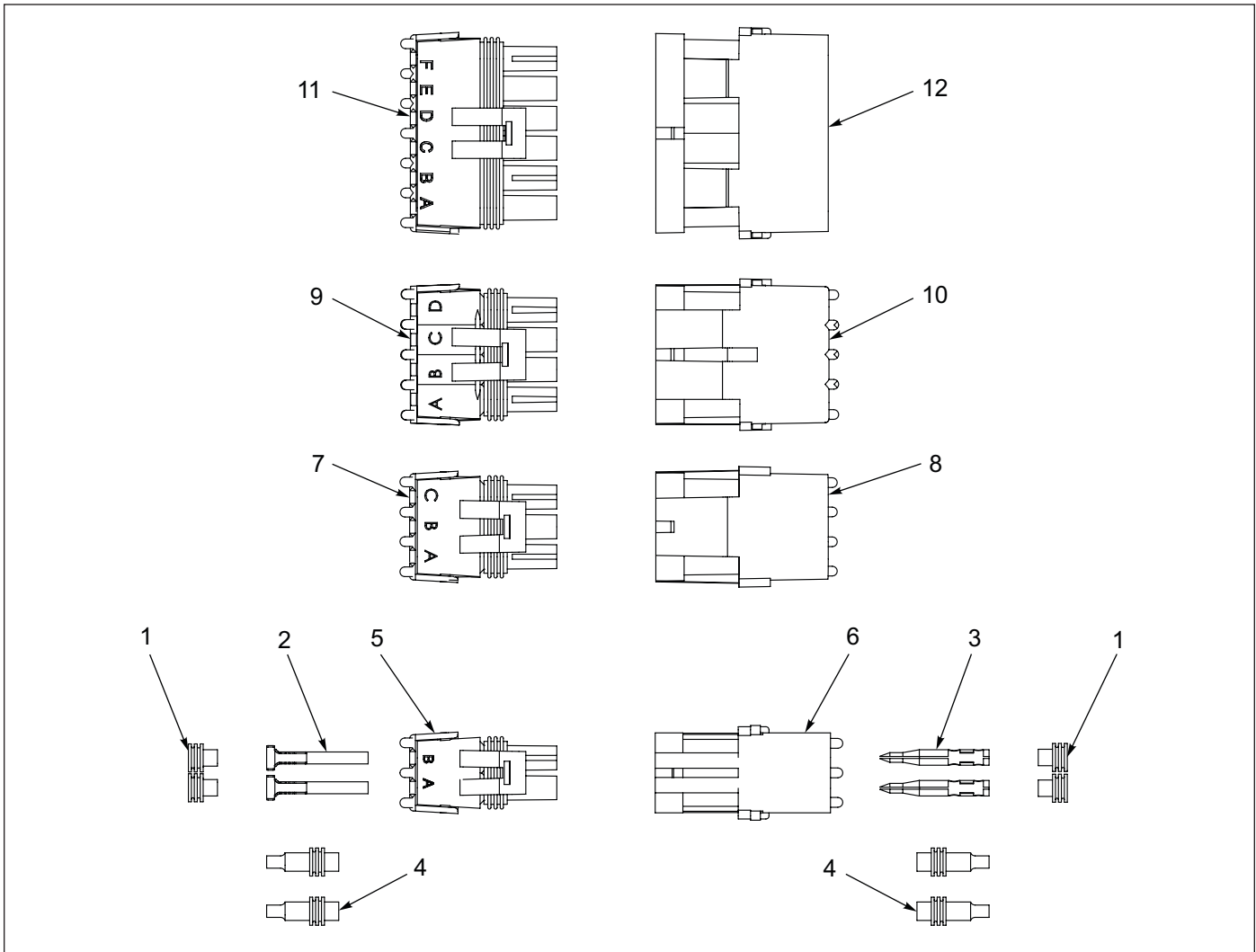


Figure 1-63: Weather Pack Connectors

Weather Pack Connectors

ITEM	PART NUMBER	DESCRIPTION	DELPHI P/N
1	154851	SEAL, CABLE WEATHER PACK	12015323
2	139974	TERMINAL,WP TOWER 16-14AWG	12124580
2	194840	TERMINAL,WP TOWER 20-18AWG	12089188
3	137654	TERMINAL,WP SHROUD 12-10AWG	12124587
3	4000671	TERMINAL,WP SHROUD 16-14AWG	12124582
3	122405	TERMINAL,WP SHROUD 20-18AWG	12089040
4	151273	PLUG SEAL,CABLE CAVITY	12010300
5	154852	TOWER,2-PIN WEATHER PACK	12015792
6	122404	SHROUD,2 PIN WEATHER PACK	12010973
7	4001294	TOWER,3-PIN WEATHER PACK	12015793
8	194841	SHROUD,3-PIN WEATHER PACK	12010717
9	166298	TOWER,4-PIN WEATHER PACK	12015797
10	166297	SHROUD,4-PIN WEATHER PACK	12010974
11	194904	TOWER,6-PIN WEATHER PACK	12015799
12	194903	SHROUD,6-PIN WEATHER PACK	12010975

AMP Connectors

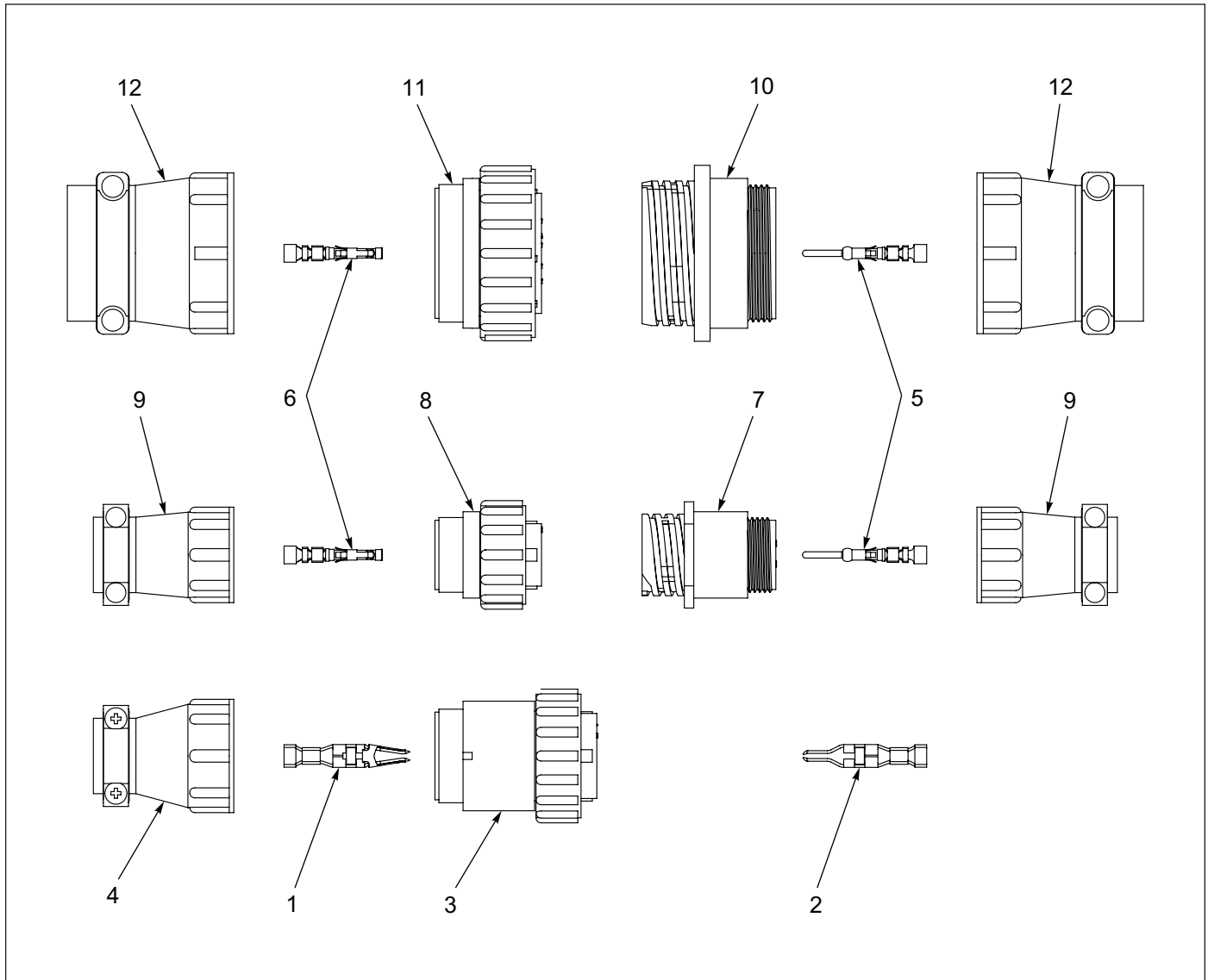


Figure 1-64: AMP Connectors

AMP Connectors

ITEM	PART NUMBER	DESCRIPTION	TE CONNECTIVITY PART NUMBER
1	194102	TERMINAL, POWER PLUG 16-12AWG	2-66740-1
2	194103	TERMINAL, POWER RECPT 16-12AWG	66261-5
3	194104	POWER PLUG ASM, 3-PIN, SIZE 17	206037-2
4	194105	BACKSHELL ASM, SIZE 17	206070-8
5	194745	TERMINAL, PIN 18-14AWG	1-66359-9
6	194744	TERMINAL, SOCKET 18-14AWG	1-66358-9
7	194106	RECEPTACLE, 9-PIN, SIZE 13	206705-2
8	194107	PLUG ASM, 9-PIN, SIZE 13	206708-1
9	194108	BACKSHELL ASM, SIZE 13	206966-7
10	194109	RECEPTACLE, 24-PIN, SIZE 23	206838-1
11	194110	PLUG ASM, 24-PIN, SIZE 23	206837-1
12	194111	BACKSHELL ASM, SIZE 23	206512-5

Decals



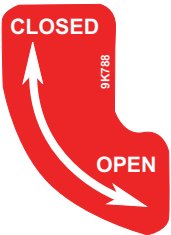
ITEM 1 - 242489



ITEM 3 - 218260



ITEM 2 - 170509



ITEM 4
9K788



ITEM 5 - 528934



ITEM 6 - 528933



ITEM 7 - 528938

MICROMETER CALIBRATION

MACHINE MAY BE CALIBRATED FOR UNLISTED SEED AS FOLLOWS:

- SEED SHAFT TURNS 163 REVOLUTIONS PER ACRE SEEDED.
- RAISE MACHINE AND LOCK IN TRANSPORT POSITION.
- PLACE A CANVAS OR TARP UNDER MACHINE TO CATCH SEED.
- DISengage ELECTRIC CLUTCH (POWER OFF), DISengage AGITATOR BOX CLUTCH (IF EQUIPPED).
- TURN TRANSMISSION MICROMETER SHAFT CALIBRATION HEX 163 REVOLUTIONS (COUNTER-CLOCKWISE/CW) WITH PROVIDED CRANK. 41 TURNS MAY BE USED IF RESULTS ARE ADJUSTED AS INDICATED IN STEP 6.
- WEIGH SEED FOR APPROXIMATE PLANTING RATE IN LBS/ACRE. MULTIPLY WEIGHT BY 4 IF ONLY 41 TURNS WERE USED.

PLANTING RATES FOR SS16 MICROMETER BOX IN POUNDS PER ACRE

RATES ARE INTENDED AS A GUIDE ONLY. VARIATIONS IN SIZE AND CLEANNESNESS WILL AFFECT RATES. CHECK ACREAGE AND POUNDS OF SEED USED FOR BEST RESULTS.

INDICATOR SETTINGS	1A	2A	3A	4A	5A	6A	7A	8A
ALFALFA (URGATED)	3	7	13	19	23	30	38	39
BAMA	1	6	10	14	19	23	27	30
BERMUDON (HILLED)	3	7	13	20	24	30	34	40
BRIDGOT TREFOL (BROADLEAF)	3	9	14	20	30	36	44	51
BLUE GRASS (KENTUCKY*)	1	3	4	7	9	11	13	14
BLUE GRASS (KENTUCKY**)	4	7	10	14	19	23	24	24
BLUE GRASS (SHERMAN BIG)	0	1	4	6	7	9	10	11
CANOLA	11	7	11	17	21	26	30	36
CORNFLORE	3	5	7	10	14	19	23	28
CLOVER (ALSIKE, LADINO, SWEET, RED)	3	5	13	19	24	30	34	40
CLOVER (ALFALFA, CALIFORNIA BUR, CRIMSON, HUBAM)	3	7	11	17	24	29	34	43
CROSBY WHEAT	0	1	3	4	6	7	9	10
CROWN VETCH	3	10	16	21	29	34	41	49
FLAX	3	7	11	14	19	23	27	36
HAWKINS GRASS	1	6	9	13	16	20	23	26
KLEIN GRASS	3	7	14	19	26	33	40	44
LESPEDEZA (KOREAN UNHILLED)	1	6	10	14	20	24	30	34
LESPEDEZA (KOREAN HILLED)	3	7	13	18	23	30	38	40
LESPEDEZA (SERICEA UNHILLED)	1	4	7	11	16	19	21	24
LESPEDEZA (SERICEA HILLED)	3	9	14	21	27	34	41	46
LOVE GRASS (WEEPIING)	1	9	14	19	24	31	37	44
LOVE GRASS (SAND)	3	9	14	20	26	31	37	44
MILLET	3	9	14	20	26	31	37	44
RED TOP	1	3	6	7	9	10	11	13
RED CANARY GRASS	1	3	6	9	10	13	14	19
SWITCH GRASS (CLEANED AND HILLED)	1	3	6	7	10	13	16	19
TEFF - TEFANY COATED	4	9	14	20	27	31	38	44
TRUCK WASH	3	7	13	19	24	30	36	41
TIMOTHY	3	6	10	16	20	26	31	36

*WELL CRACK SOME SEEDS AT THESE SETTINGS
**NOT RECOMMENDED: LENTIL, SORGHUM, SUGAR GRASS

ITEM 8 - 241375

AGITATOR CALIBRATION

MACHINE MAY BE CALIBRATED FOR UNLISTED SEED AS FOLLOWS:

- SEED SHAFT TURNS 176 REVOLUTIONS PER ACRE SEEDED.
- RAISE MACHINE AND LOCK IN TRANSPORT POSITION.
- PLACE A CANVAS OR TARP UNDER MACHINE TO CATCH SEED.
- DISengage AGITATOR BOX CLUTCH.
- TURN AGITATOR SHAFT CALIBRATION HEX 176 REVOLUTIONS (COUNTER-CLOCKWISE/CW) WITH PROVIDED CRANK. 44 TURNS MAY BE USED IF RESULTS ARE ADJUSTED AS INDICATED IN STEP 6.
- WEIGH SEED FOR APPROXIMATE PLANTING RATE IN LBS/ACRE. MULTIPLY WEIGHT BY 4 IF ONLY 44 TURNS WERE USED.

PLANTING RATES FOR SSB16 AGITATOR BOX IN POUNDS PER ACRE

RATES ARE INTENDED AS A GUIDE ONLY. VARIATIONS IN SIZE AND CLEANNESNESS WILL AFFECT RATES. CHECK ACREAGE AND POUNDS OF SEED USED FOR BEST RESULTS.

SEED TYPE	AGITATOR	1	2	3	4	5	6
BENT GRASS (SUD) (BEEBING)	BLADE	20	62	123	163	251	341
BLUE GRASS (SHERMAN BIG)	BLADE	3	10	42	68	108	147
BLUE GRASS (KENTUCKY - ODY/SSBY)	BLADE	11	44	84	128	190	269
BLUESTEM (PAWNEE BIG)/WISCONSIN	BLADE	0.5	2	4	6	9	13
BLUESTEM (WV B DAHLI/WO BEARDS)	BLADE	1	4	10	19	33	51
BLUESTEM (ITALY) LITTLE/WO BEARDS	BLADE	0	0.5	2	3	5	9
BRONX (MADON)	BLADE	1	4	6	10	16	26
BRONX (SMOOTH)	BLADE	2	5	10	16	28	47
BUFFALO GRASS	BLADE	3	12	36	62	92	123
BUFFALO GRASS	BLADE	0	0.4	1	2	3	4
FESCUE (CROSSING RED)	BLADE	2	6	19	31	72	109
FESCUE (TALL)	BLADE	7	23	64	119	172	236
FESTULUM	BLADE	9	24	57	83	156	211
GRAMMA (SIDE OATS)	BLADE	1	3	5	9	14	21
INDIAN GRASS	BLADE	1	2	4	6	8	10
ORCHARD GRASS (UNHILLED)	BLADE	3	8	21	42	73	117
RYE GRASS	BLADE	3	17	39	68	108	160
WHEAT GRASS (INTERMEDIATE)	BLADE	2	7	17	29	50	75

NOT RECOMMENDED: BLUESTEMS OTHER THAN SHOWN, ZORRO FESCUE

ITEM 9 - 242431 (23T:40T) (Before 01/01/2024)

AGITATOR CALIBRATION

MACHINE MAY BE CALIBRATED FOR UNLISTED SEED AS FOLLOWS:

- SEED SHAFT TURNS 116 REVOLUTIONS PER ACRE SEEDED.
- RAISE MACHINE AND LOCK IN TRANSPORT POSITION.
- PLACE A CANVAS OR TARP UNDER MACHINE TO CATCH SEED.
- DISengage AGITATOR BOX CLUTCH.
- TURN AGITATOR SHAFT CALIBRATION HEX 116 REVOLUTIONS (COUNTER-CLOCKWISE/CW) WITH PROVIDED CRANK. 29 TURNS MAY BE USED IF RESULTS ARE ADJUSTED AS INDICATED IN STEP 6.
- WEIGH SEED FOR APPROXIMATE PLANTING RATE IN LBS/ACRE. MULTIPLY WEIGHT BY 4 IF ONLY 29 TURNS WERE USED.

PLANTING RATES FOR 4610-16 AGITATOR BOX IN POUNDS PER ACRE

RATES ARE INTENDED AS A GUIDE ONLY. VARIATIONS IN SIZE AND CLEANNESNESS WILL AFFECT RATES. CHECK ACREAGE AND POUNDS OF SEED USED FOR BEST RESULTS.

SEED TYPE	AGITATOR	1	2	3	4	5	6	AGITATOR	1	2	3	4	5	6
BENT GRASS (SUD) (BEEBING)	BLADE	14	43	86	129	173	230	S 6TTP/BRUSH	19	49	92	119	164	191
BLUE GRASS (SHERMAN BIG)	BLADE	2	11	29	47	74	101	S 6TTP/BRUSH	4	18	34	54	78	97
BLUE GRASS (KENTUCKY - ODY/SSBY)	BLADE	10	39	80	121	155	206	S 6TTP/BRUSH	12	24	54	83	123	163
BLUESTEM (PAWNEE BIG)/WISCONSIN	BLADE	0.5	1	2	4	6	9	S 6TTP/BRUSH	1	2	4	5	9	12
BLUESTEM (WV B DAHLI/WO BEARDS)	BLADE	1	3	7	13	20	30	S 6TTP/BRUSH	2	5	11	21	33	48
BLUESTEM (ITALY) LITTLE/WO BEARDS	BLADE	0	0.5	1	2	3	6	S 6TTP/BRUSH	0.5	1	2	3	5	9
BRONX (MADON)	BLADE	1	2	4	7	11	17	S 6TTP/BRUSH	1	4	8	11	19	32
BRONX (SMOOTH)	BLADE	1	3	7	11	19	32	S 6TTP/BRUSH	2	5	11	19	30	50
BUFFALO GRASS	BLADE	2	9	23	42	63	93	S 6TTP/BRUSH	3	11	31	53	71	79
BUFFALO GRASS	BLADE	0	0.5	0.7	1	2	3	S 6TTP/BRUSH	0	0.4	1	2	3	4
FESCUE (CROSSING RED)	BLADE	1	4	13	22	40	60	S 6TTP/BRUSH	3	9	19	32	50	62
FESCUE (TALL)	BLADE	5	20	44	62	115	165	S 6TTP/BRUSH	7	26	53	100	143	193
FESTULUM	BLADE	6	17	39	57	100	149	S 6TTP/BRUSH	9	29	60	93	140	193
GRAMMA (SIDE OATS)	BLADE	1	4	7	13	19	29	S 6TTP/BRUSH	1	2	4	7	10	15
INDIAN GRASS	BLADE	0.7	1.4	2	4	6	7	S 6TTP/BRUSH	1	2	3	5	7	10
ORCHARD GRASS (UNHILLED)	BLADE	2	6	18	33	50	71	S 6TTP/BRUSH	3	10	22	40	70	97
RYE GRASS	BLADE	2	11	27	46	74	103	S 6TTP/BRUSH	6	19	39	63	110	164
WHEAT GRASS (INTERMEDIATE)	BLADE	1	5	12	20	34	52	S 6TTP/BRUSH	2	8	17	31	50	70

NOT RECOMMENDED: BLUESTEMS OTHER THAN SHOWN, ZORRO FESCUE

ITEM 9 - 248388 (15T:40T) (After 01/01/2024)

Figure 1-65: Decals (1 of 2)



ITEM 10
2K123



ITEM 11 - 8J309



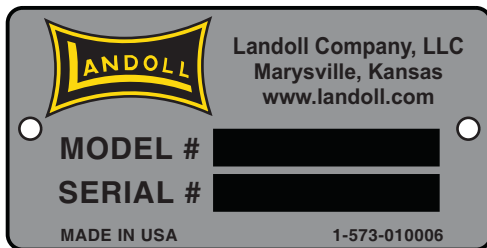
ITEM 12
9J429



ITEM 13 - 166243



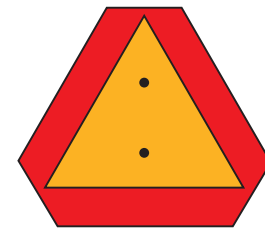
ITEM 14
235621



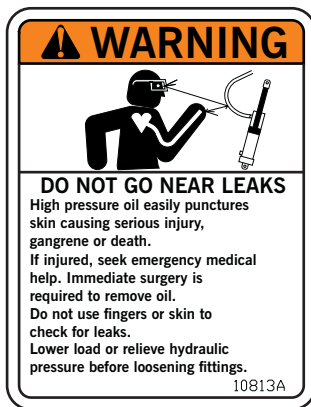
ITEM 15
1-573-010006



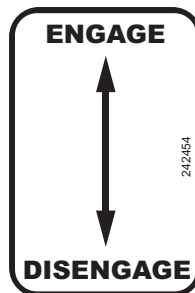
ITEM 17
224589



ITEM 18
70260977



ITEM 19 - 3K706



ITEM 20 - 242454



ITEM 21
218264



ITEM 22 - 9J301



ITEM 23 - 3P078



ITEM 24 - 9K740

Figure 1-66: Decals (2 of 2)

ILLUSTRATED PARTS LIST

Decals

ITEM	PART NUMBER	DESCRIPTION	QTY
1	242489	DECAL,4610	2
2	170509	DECAL, BRILLION LANDOLL 40"	2
3	218260	DECAL, SURE STAND	2
4	9K788	DECAL, LATCH	4
5	528934	REFLECTOR - YELLOW	4
6	528933	REFLECTOR, RED	4
7	528938	STRIPE, ORANGE	4
8	241375	DECAL,SEED RATES MICROMETER	1
9	248388	DECAL, BLADE/BRUSH SEED RATE (15TOOTH:40TOOTH) (AFTER 01/01/2024)	1
9	242431	DECAL,SEED RATE AGITATOR (23TOOTH:40TOOTH) (BEFORE 01/01/2024)	1
10	2K123	DECAL, WARNING	7
11	8J309	CAUTION	1
12	9J429	DECAL - AMBER (SHAFTS) (FRONT BOX SEED SHAFT)	2
13	166243	DECAL, PATENT, TILLAGE	1
14	235621	DECAL, QR CODE AG SEEDER	1
15	1-573-010006	PLACARD, NAME	1
16	184138	RIVET, BLIND .187 X 3/16 GRIP (USED WITH PLACARD)	2
17	224589	DECAL, SIS 20 MILE/H	1
18	70260977	SMV EMBLEM	1
19	3K706	DECAL-WARNING HYDRAULIC LEAKS (DRAWBAR)	3
20	242454	DECAL,ENGAGE/DISENGAGE	1
21	218264	DECAL, PARKING (3-PT HITCH)	4
22	9J301	DECAL, PARKING PIN (3-PT HITCH)	2
23	3P078	DECAL, PARKING STAND, BPS6 (3-PT HITCH)	2
24	9K740	DECAL, ACRE METER (ACRE METER OPTION)	1

Decal Locations

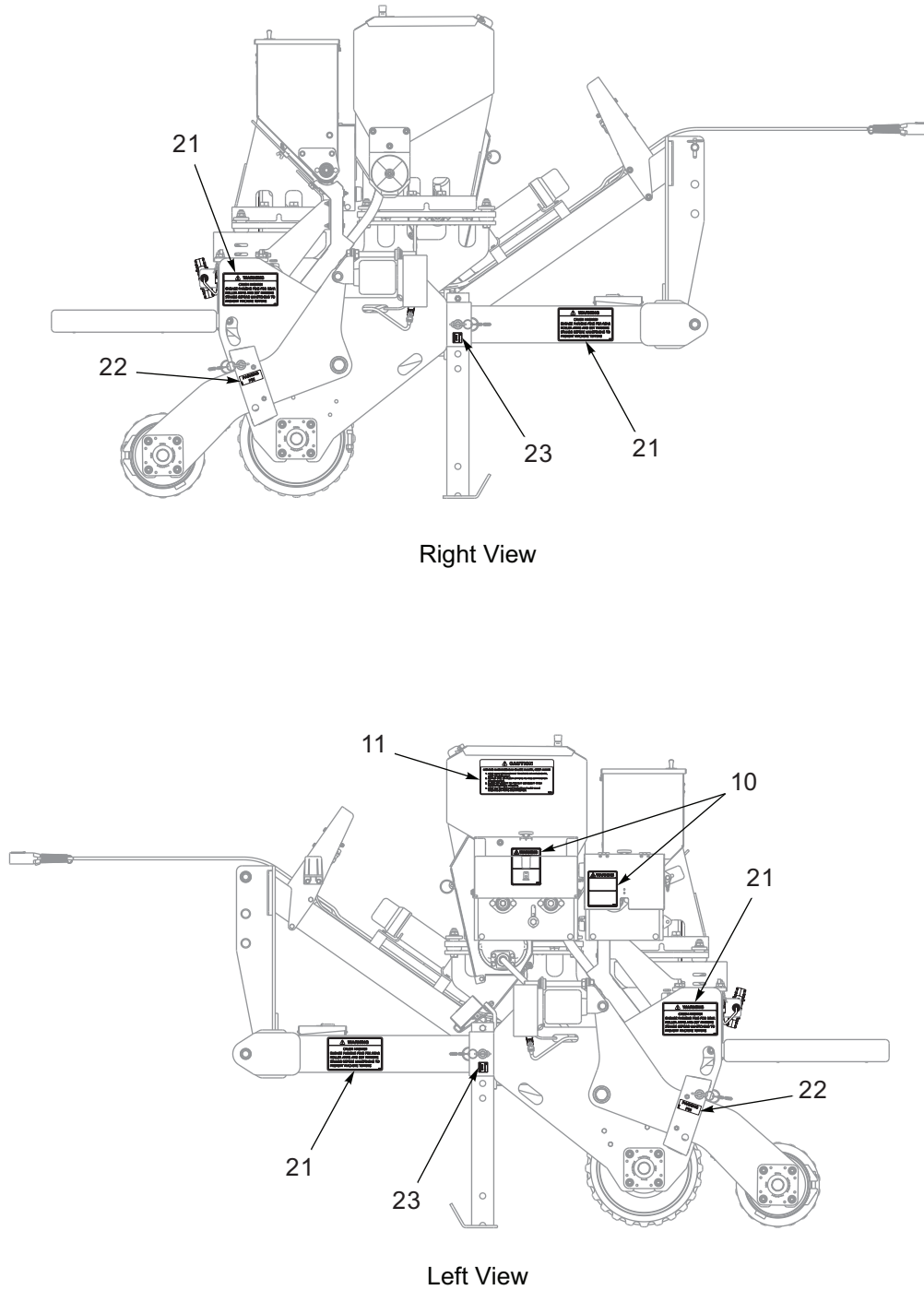


Figure 1-67: 3-PT Decal Locations

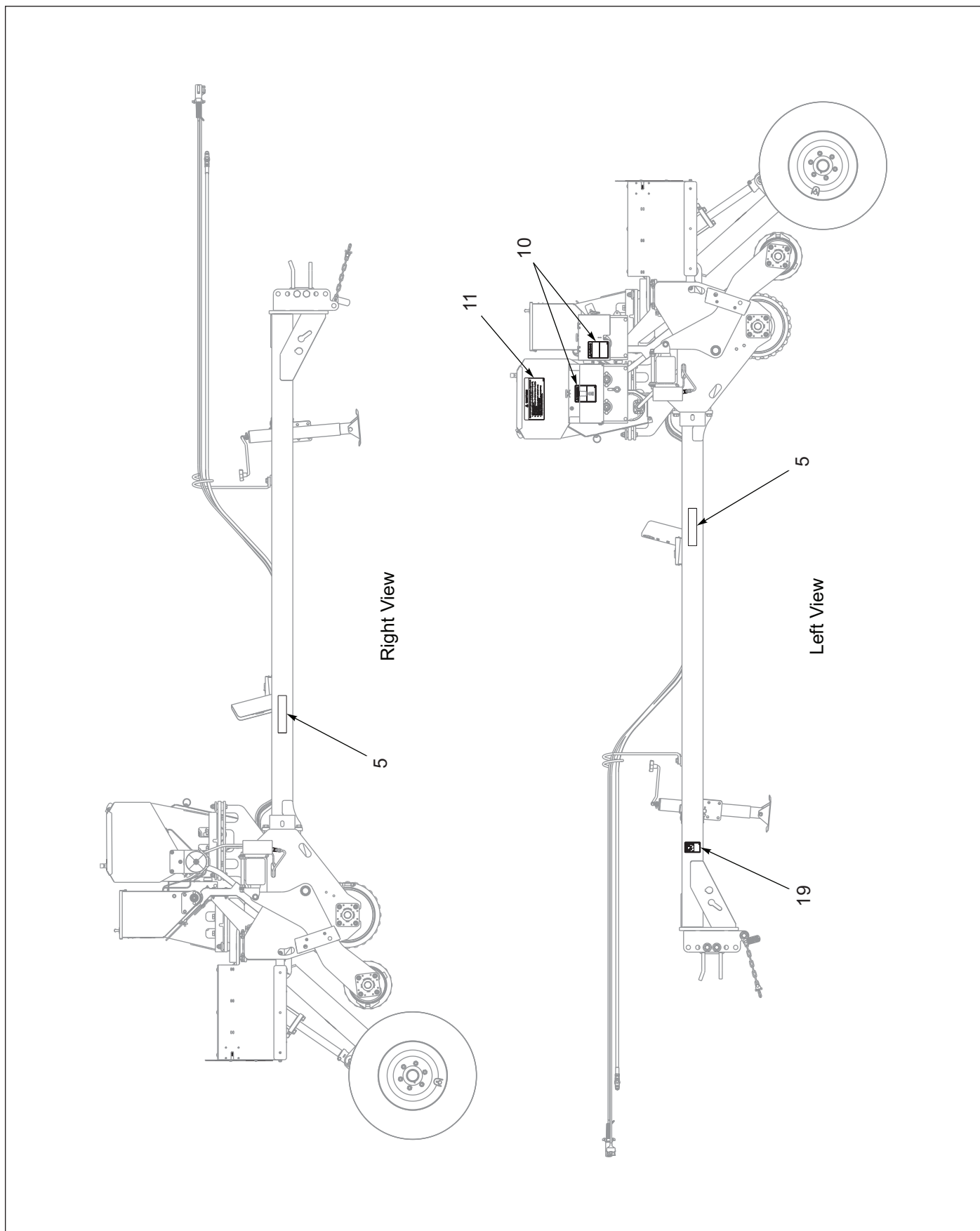


Figure 1-68: Drawbar Decal Locations

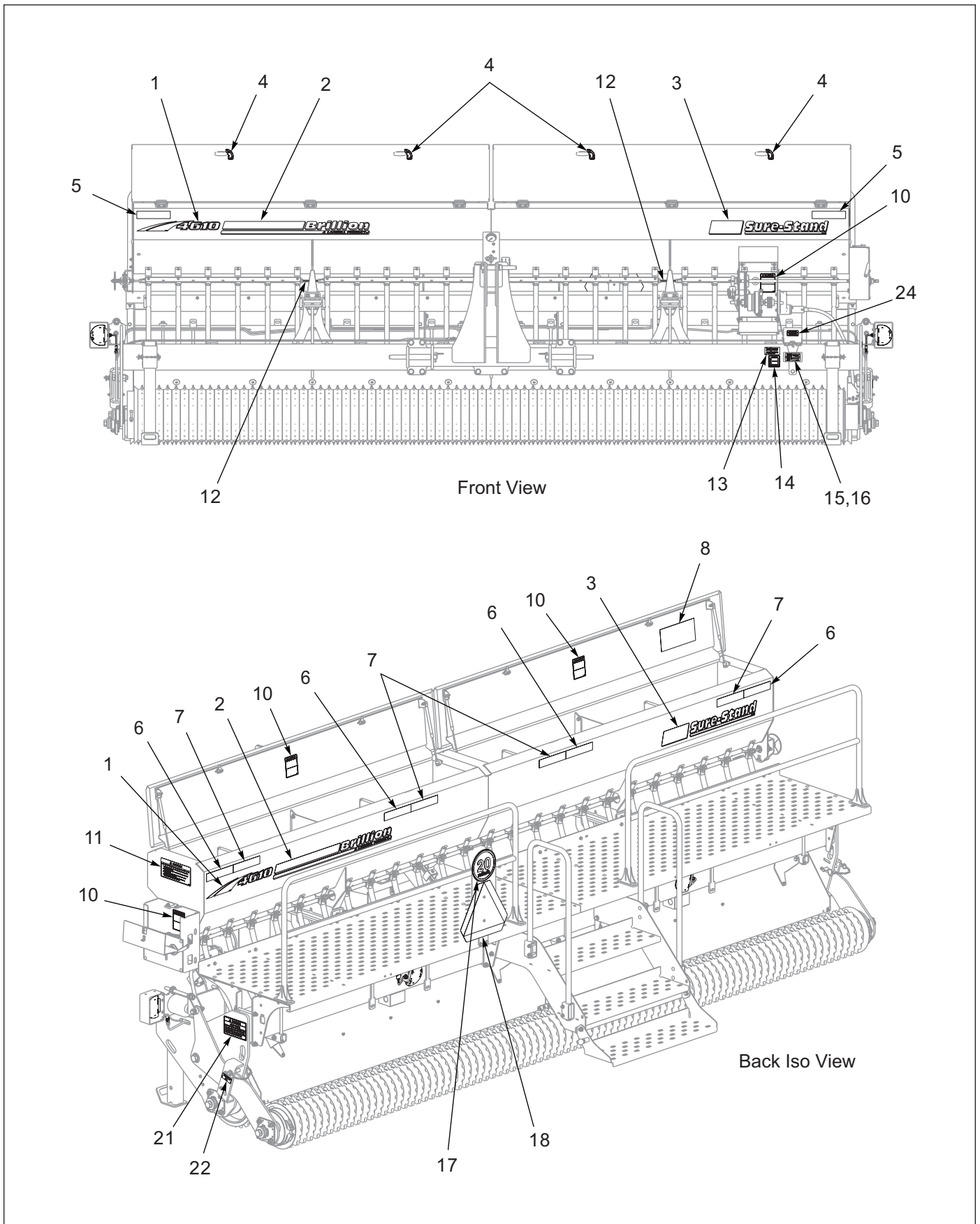


Figure 1-69: Single Box 3-PT Hitch Decal Locations

ILLUSTRATED PARTS LIST

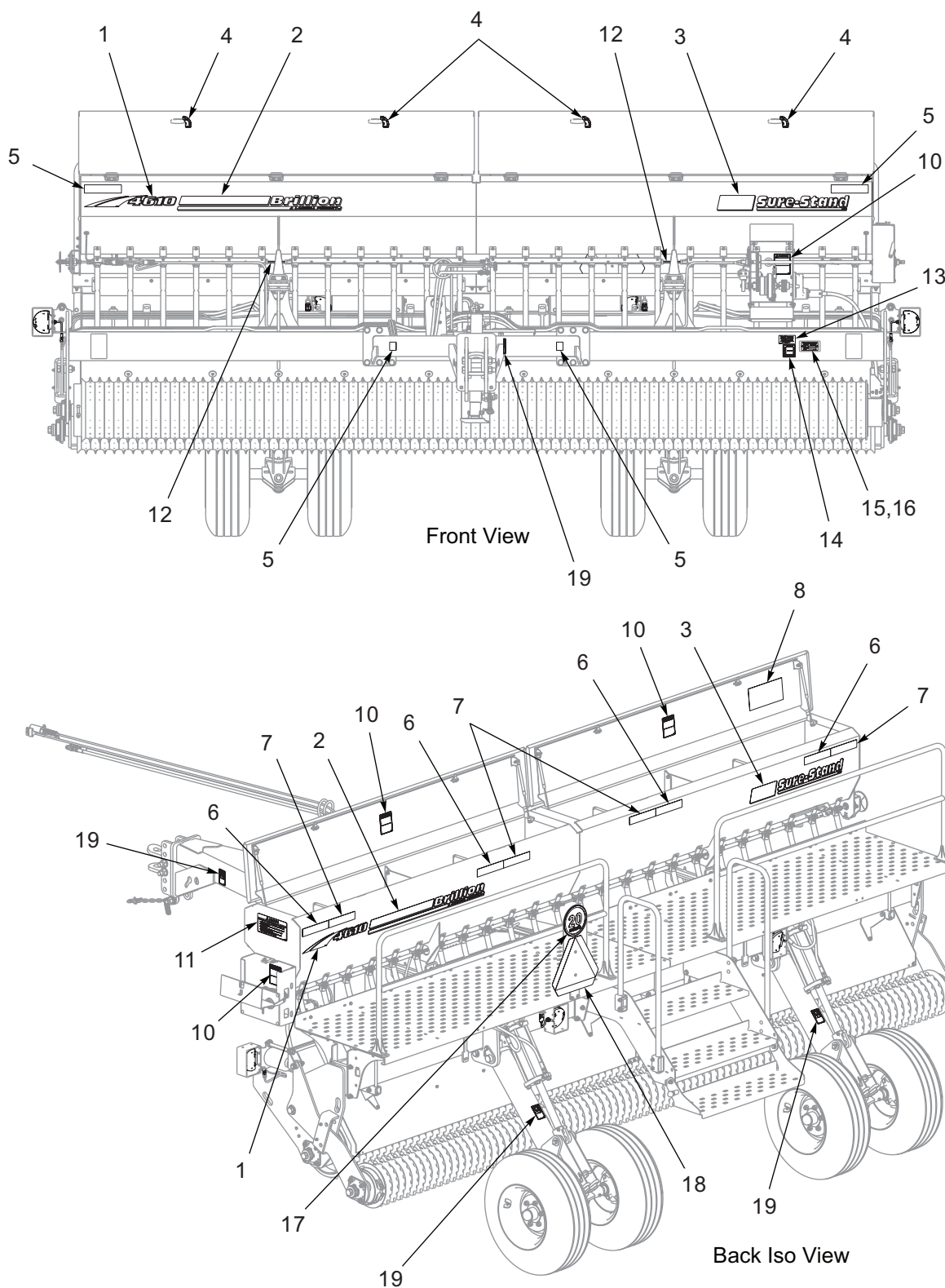


Figure 1-70: Single Box Pull-Type Hitch Decal Locations

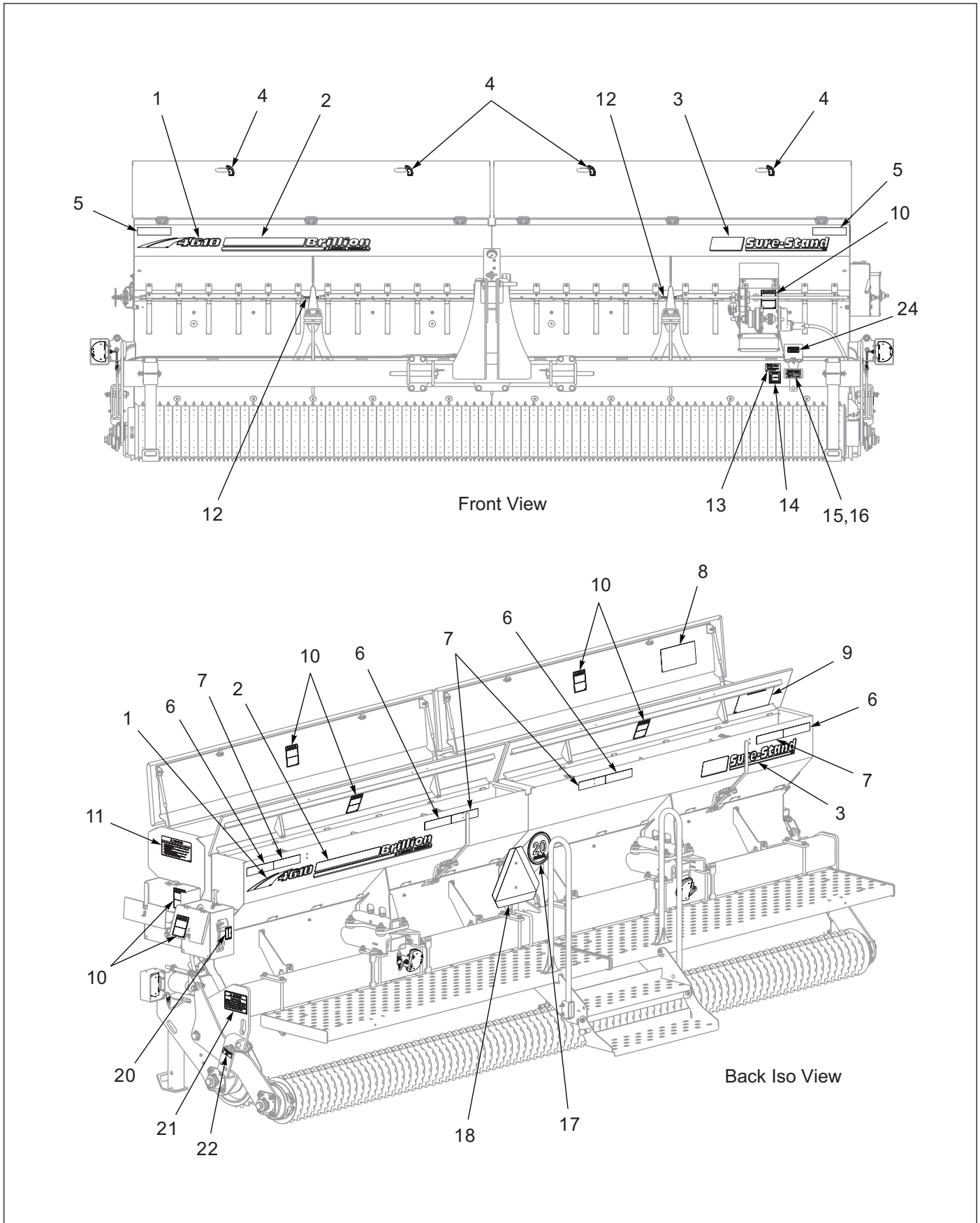


Figure 1-71: Double Box 3-PT Hitch Decal Locations

ILLUSTRATED PARTS LIST

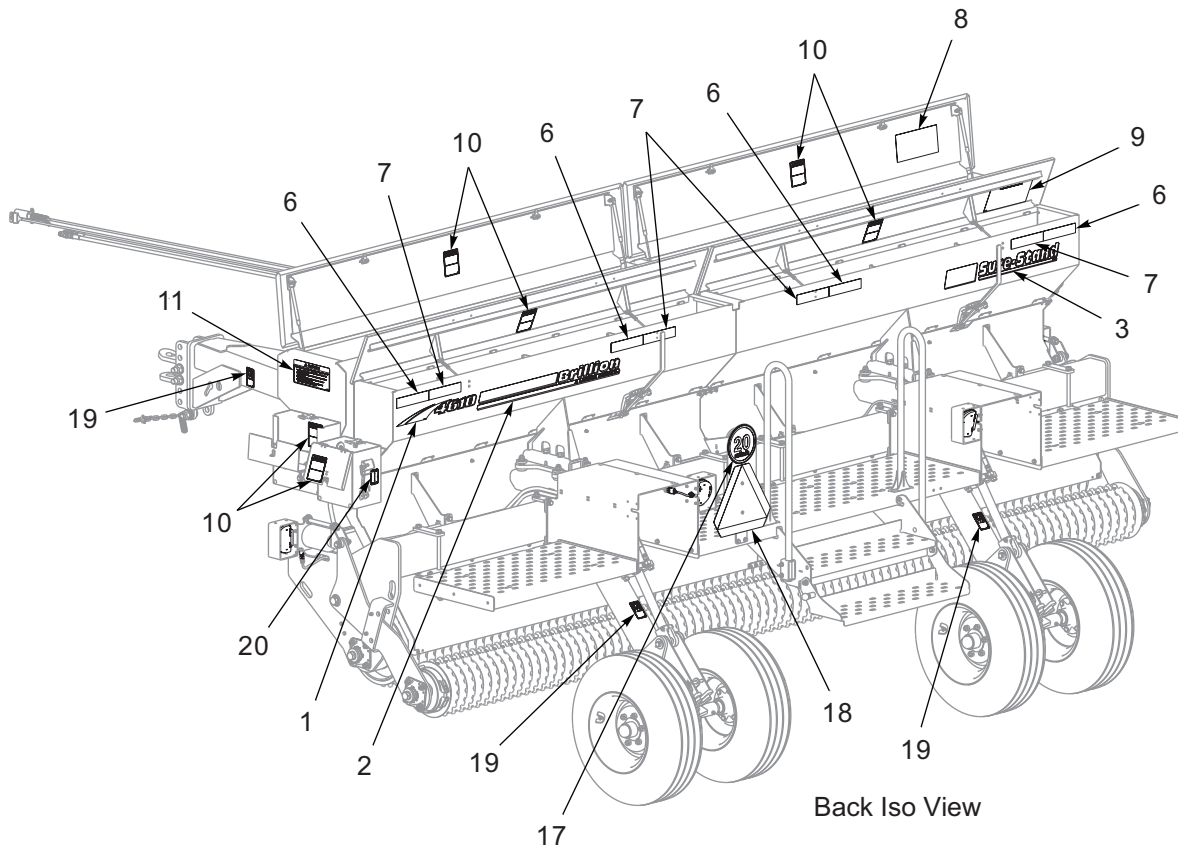
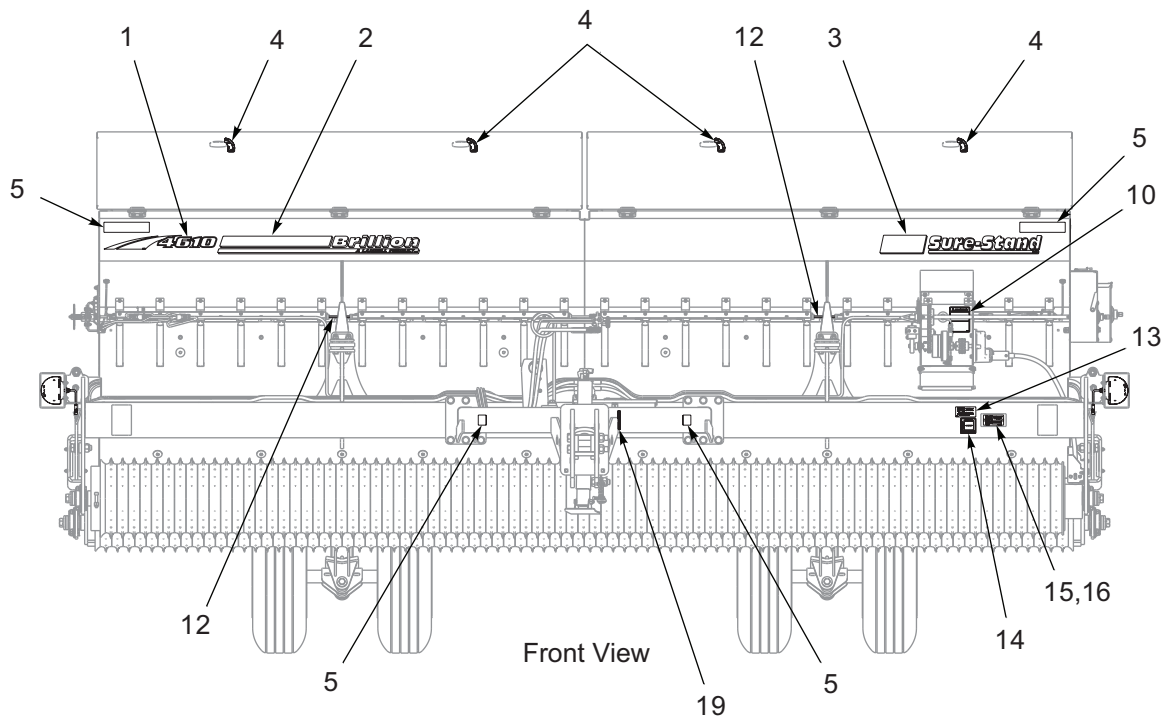


Figure 1-72: Double Box Pull-Type Hitch Decal Locations

Glossary

For clarity this glossary of industry standard abbreviations and their definitions are provided. For additional information, see instruction on the first page of the parts chapter or the last page of this manual.

A

ASM Assembly

B

BATT Battery
BHSC Button Head Socket Cap
BLK Black

C

CB Carriage Bolt
CONN Connector
CRG Carriage
CTSK Countersunk
CTWT Counterweight
CVR Cover
CYD Cylinder

D

DBL Double
DIA Diameter

E

ENCLSD Enclosed

F

FHCS Flanged Head Cap Screw
FHHCS Flanged Hex Head Cap Screw
FL OR FLG Flange
FLT Flat

G

GA Gauge

H

HHCS Hex Head Cap Screw
HCS High Carbon Steel
HD Head
HLCL Helical
HCSKT Hex Socket
HSFC Hex Socket Flat Countersunk
HYD Hydraulic

I

ID Inside Diameter

L

LH Lefthand
LKG OR LOCK Locking
LWR Lower

M

MANF Manifold
MNT Mount

N

NRW Narrow
 ----- Not Serviced Separately

O

OD Outside Diameter
OHG Overhead Guard
ORFS OR ORS O-Ring Seal
ORP OR ORB O-Ring Boss

P

P-STEER Power Steering
PTFE Polytetrafluoroethylene (Teflon)

GLOSSARY

R

RH Righthand
RND Round

S

SER Series
SHCS Socket Head Cap Screw
SHLD Shield
SKT Socket
SLFLKG Selflocking
SOC Socket
SPDT Single Pole Double Throw
SPR Spring
SQ Square
SRTD Serrated
SSCR Setscrew
SST Stainless Steel
STD Standard

U

UPR Upper

W

WHL Wheel
WLD OR WLDMT Weldment

Numerics

0600-250-01000	1-39, 1-41	122405	1-106
101510	1-39, 1-41	122709	1-37, 1-85, 1-98
101988	1-77, 1-79	124032	1-33
102-1267	1-79	1-298-010001-1	1-22, 1-104
102498	1-22	12D6E	1-85
102604	1-22	130007	1-33, 1-39, 1-41
103841	1-7	1-323-010008	1-65, 1-67
104031	1-33, 1-39, 1-41, 1-85, 1-98	133454	1-55, 1-79
104877	1-82	137654	1-106
104881	1-17, 1-19	139974	1-106
105-0214	1-89, 1-91, 1-93	1400939	1-53
105-0228 ..	1-55, 1-57, 1-59, 1-61, 1-63, 1-85, 1-89	140554	1-22
105909	1-39, 1-41	140645	1-22
106534	1-17, 1-19	1408092	1-21
106955	1-11	141197	1-22
1-076-010007	1-22	141236	1-22
1-076-010010	1-22	141238	1-22
108417	1-17, 1-19, 1-65, 1-67, 1-82	141433	1-5
108787	1-37, 1-99	141826	1-55
108841	1-3	141828	1-55, 1-79
109985	1-73, 1-77	141866	1-22
110-4216	1-37	142753	1-3, 1-5
110-4336	1-34	143066	1-22
111190	1-17, 1-19	144237	1-7
111276	1-25, 1-27, 1-29	144268	1-25, 1-53
111361	1-25, 1-27, 1-29	144332	1-7
113064	1-85	144348	1-7
114067	1-53	144349	1-7
118577	1-12, 1-13, 1-14	147072	1-21
118626	1-7	147552	1-21, 1-22
118636	1-33, 1-37, 1-99	148988	1-11
119199	1-33	1-511-010001-03	1-37
122404	1-106	1-511-010002-08	1-7
		1-512-010003-06	1-53

1-512-010005-01 . . . 1-3, 1-5, 1-25, 1-27, 1-29, 1-33, 1-57, 1-59, 1-61, 1-63	164533 1-21
1-512-010005-03 1-9	164539 1-21
1-512-010005-05 1-7, 1-9, 1-21, 1-50, 1-104	1-647-010004177 1-81
1-512-010005-09 1-5, 1-7, 1-74	1-647-010004236 1-39, 1-41, 1-81
1-512-010005-13 1-7, 1-73, 1-77, 1-79	1-654-010024006 1-85
1-512-010005-15 . . . 1-3, 1-5, 1-21, 1-27, 1-73, 1-77, 1-79	1-654-010047-04 . . . 1-3, 1-25, 1-29, 1-57, 1-59, 1-61, 1-63
1-512-010005-19 1-5, 1-7	1-654-010047-06 1-3, 1-5, 1-27, 1-33
1-512-010007-03 1-9, 1-33, 1-86, 1-103	1-654-010047-10 1-57, 1-59, 1-61, 1-63
1-512-010007-05 1-37, 1-99	1-654-010047-12 1-17, 1-19
1-512-010007-06 . . 1-33, 1-37, 1-39, 1-41, 1-85, 1-98	1-654-010047-13 1-65, 1-67
1-512-010007-07 1-85, 1-86	1-654-010047-14 1-19
1-512-010007-09 1-9, 1-33, 1-39, 1-41	1-654-010049-05 1-33, 1-39, 1-41, 1-55, 1-79
1-512-010007-14 1-37	1-654-010049-18 1-9
151273 1-91, 1-95, 1-106	1-654-010051-03 1-33
151508 1-7	1-654-010051-05 1-3, 1-5, 1-86
151528 1-9	1-654-010051-06 1-82, 1-85
151590 1-65, 1-67	1-654-010051-07 1-9
151595 1-65, 1-67	1-654-010051-10 1-104
1-516-010001-20 1-22	1-654-010051-13 1-21
151604 1-65, 1-67	1-654-010055-01 1-7
151610 1-65, 1-67	1-654-010055-02 1-25, 1-27, 1-29
153696 1-5	1-654-010055-03 1-5, 1-82, 1-103
153862 1-85	1-654-010055-04 1-9
154185 1-9	1-654-010055-05 1-21
154186 1-9	1-654-010055-09 1-17, 1-19
154851 1-106	1-654-010055-10 1-41
154852 1-106	1-654-010055-12 1-7, 1-73, 1-77
154997 1-74	1-654-010055-18 1-25
155528 1-79	1-654-010059-04 1-5, 1-73, 1-77
1-557-010327 1-33	1-654-010059-05 1-5
1-557-010362-51 1-22	1-654-010059-11 1-7, 1-31
1-557-010362-65 1-21	1-654-010061-05 1-31
155871 1-37, 1-99	1-654-010061-21 1-3, 1-5
155873 1-37, 1-99	1-654-010061-23 1-21
155874 1-37, 1-99	1-654-010070-09 1-33
1-573-010006 1-110	1-654-010070-13 1-74
	1-654-010077-2 1-45

1-654-010158-1	1-17, 1-19	1-861-010032-10	1-33, 1-50, 1-53
1-655-010001-2	1-25	1-861-010032-11	1-3, 1-5, 1-37, 1-39, 1-41, 1-85, 1-86, 1-101
1-655-010001-3	1-19, 1-29	1-861-010032-14	1-7, 1-9, 1-33, 1-39, 1-41
1-655-010003-05	1-25, 1-27, 1-29, 1-37, 1-39, 1-41, 1-59, 1-101	1-861-010032-15	1-25, 1-27, 1-29, 1-39, 1-41
1-655-010003-06	1-37, 1-53, 1-101	1-861-010032-18	1-7
1-656-010003051	1-86	1-861-010032-19	1-5
1-656-010003055	1-53	1-861-010032-20	1-3, 1-5, 1-21, 1-27, 1-73, 1-77, 1-79, 1-81
166243	1-110	1-861-010032-24	1-5
166297	1-106	1-861-010034-07	1-103
166298	1-106	1-861-010034-09	1-37, 1-99
167308	1-21, 1-55	1-861-010034-10	1-33, 1-37, 1-39, 1-41, 1-85, 1-98
168903	1-53	1-861-010034-11	1-33, 1-85, 1-86
170509	1-110	1-861-010034-13	1-7, 1-9, 1-33, 1-39, 1-41
170943	1-86	1-861-010034-15	1-17, 1-19
170946	1-86	1-861-010034-17	1-31
170948	1-86	1-861-010034-21	1-9, 1-34
171738	1-9	1-861-010043-06	1-33, 1-53
171739	1-9	188049	1-21
172973	1-79	191376	1-39, 1-41
174399	1-91, 1-93, 1-95, 1-97, 1-101	194102	1-89, 1-107
174419	1-91, 1-93, 1-95, 1-97, 1-98, 1-99	194103	1-107
174434	1-95, 1-97, 1-103	194104	1-89, 1-107
174437	1-57, 1-59, 1-61, 1-63	194105	1-89, 1-107
175151	1-57, 1-59, 1-61, 1-63	194106	1-107
177030	1-5	194107	1-107
178514	1-57, 1-61	194108	1-107
178515	1-59, 1-63	194109	1-107
1-796-010004-02	1-55, 1-57, 1-59, 1-61, 1-63, 1-79	194110	1-107
1-833-010001	1-65, 1-67	194111	1-107
184138	1-110	194744	1-107
185216	1-3	194745	1-107
1-861-010032-02	1-85, 1-98, 1-99	194840	1-106
1-861-010032-03	1-103	194841	1-91, 1-95, 1-101, 1-106
1-861-010032-06	1-3, 1-5, 1-57, 1-59, 1-61, 1-63, 1-65, 1-67, 1-99	194903	1-106
1-861-010032-07	1-17, 1-19	194904	1-106
1-861-010032-08	1-37, 1-39, 1-41	195009	1-25

INDEX

197150	1-103	210935	1-11
199977	1-21	210936	1-11
1C213	1-53, 1-86	210937	1-11
1C272	1-37	210938	1-11
1C357	1-37, 1-99	210939	1-11
1C968	1-12	210940	1-11
1D594	1-81	210942	1-11
1D598	1-33, 1-39, 1-41	210948	1-9, 1-11
1D617	1-37	210949	1-11
1J834	1-77, 1-79	210950	1-11
1J887	1-77, 1-79	210951	1-11
1K138	1-37	210952	1-9
200937	1-9	210953	1-11
200964	1-37	210954	1-11
200996	1-31, 1-83	210955	1-11
200997	1-31	210956	1-11
202702-8-8S	1-55, 1-79	210957	1-11
203785	1-74	210959	1-11
204752	1-21	210961	1-33
204810	1-81, 1-104	210962	1-33
205211	1-82, 1-83	210964	1-39, 1-41
205301	1-39, 1-41	210965	1-33
2062-8-8S	1-55	210991	1-33
208425	1-104	210992	1-33
208443	1-53	210993	1-9, 1-33
208498	1-53	212483	1-33
208527	1-82, 1-103	212490	1-9
208528	1-82, 1-103	212494	1-9
209813	1-37	212518	1-77, 1-79
209830	1-37, 1-99	212540	1-9
210606	1-21, 1-22	212555	1-9
210915	1-11	212557	1-37
210918	1-11	212560	1-37
210929	1-11	214026	1-37
210930	1-11	214027	1-37
210932	1-11	214028	1-37
210933	1-11	214034	1-12
210934	1-11	214036	1-9, 1-12

214050	1-3	218249	1-82
214056	1-3	218250	1-82
214065	1-7	218253	1-50
214067	1-7, 1-34	218254	1-39, 1-41, 1-50
214068	1-13, 1-14	218255	1-50
214071	1-9, 1-13	218260	1-110
214079	1-85	218261	1-57, 1-59, 1-61, 1-63
214084	1-3, 1-5	218262	1-57, 1-59, 1-61, 1-63
214085	1-9	218263	1-57, 1-59, 1-61, 1-63
214097	1-74	218264	1-110
214098	1-73, 1-74	218266	1-73, 1-77
214101	1-73	218271	1-9, 1-14
214103	1-37, 1-99	218273	1-77, 1-79
214105	1-77	218286	1-25
214106	1-73	218294	1-37
214109	1-33	219159	1-7
214110	1-33	219173	1-31
214112	1-33	219175	1-31
214114	1-39, 1-41	219176	1-5, 1-67
214117	1-34	219179	1-21
214118	1-34	219180	1-21
214119	1-33, 1-34, 1-91, 1-93	219183	1-5
214120	1-34	219196	1-21
214141	1-11	219203	1-21
214142	1-34	222843	1-41
214143	1-34	224179	1-85
214144	1-34	224589	1-25, 1-27, 1-29, 1-110
214150	1-7	224590	1-25, 1-27, 1-29
214157	1-17, 1-19	226769	1-37
214158	1-17, 1-19	226809	1-5
214159	1-17, 1-19	228558	1-33, 1-41
214160	1-39, 1-41	229398	1-81
214169	1-73, 1-77	229399	1-81
218235	1-82, 1-83	231003	1-81
218243	1-3, 1-65	231004	1-81
218245	1-85	231005	1-81
218247	1-82, 1-83	231006	1-79, 1-81
218248	1-82, 1-83	231022	1-53

2-318-010009	1-89	241025	1-5
233477	1-91, 1-93, 1-95, 1-97	241283	1-21
233479	1-95, 1-97	241289	1-55
233480	1-95, 1-97	241290	1-39, 1-41
233481	1-91, 1-93, 1-95, 1-97	241291	1-39, 1-41
233483	1-95, 1-97, 1-103	241292	1-41
233492	1-85, 1-91, 1-93, 1-98	241296	1-53
233494	1-91, 1-93, 1-98	241324	1-3, 1-5, 1-7
234112	1-25, 1-33, 1-39, 1-41, 1-53, 1-55, 1-79	241336	1-7, 1-9
234115	1-85, 1-98, 1-99, 1-101	241337	1-25, 1-29
234195	1-91, 1-93, 1-101	241343	1-21
234198	1-91, 1-93, 1-99	241346	1-29
234458	1-101	241347	1-29
234460	1-37, 1-91, 1-99	241352	1-33
234471	1-89	241353	1-19, 1-27, 1-29
234477	1-89	241354	1-17, 1-19
234504	1-19	241355	1-17, 1-19
234505	1-37	241356	1-17, 1-19
235621	1-110	241357	1-17, 1-19
2-368-010287	1-3	241358	1-19
237-2308-012	1-33	241359	1-19
237780	1-103	241360	1-19
238858	1-39, 1-41	241361	1-19
238859	1-39, 1-41	241362	1-19
238860	1-41	241367	1-31
238871	1-29	241368	1-17, 1-19
238872	1-29	241369	1-17, 1-19
238873	1-31	241370	1-55
238875	1-21	241373	1-57, 1-59, 1-61, 1-63
238876	1-33, 1-39, 1-41	241374	1-55, 1-79
238881	1-93	241375	1-110
238883	1-93	242431	1-110
238886	1-37	242450	1-93, 1-97
238893	1-17, 1-19	242454	1-110
238897	1-39, 1-41	242455	1-17
238898	1-39, 1-41	242456	1-31
241015	1-33	242457	1-25
241019	1-7	242458	1-17

242459	1-25	2P253	1-17, 1-19, 1-21, 1-25, 1-27, 1-29, 1-73, 1-77, 1-82, 1-103
242460	1-25	2P254	1-5, 1-31, 1-85
242461	1-25	2P362	1-21
242462	1-25	2P561	1-17, 1-19
242465	1-25	2P744	1-21
242468	1-25	2P999	1-5
242469	1-3	3-272-010017	1-89
242470	1-3	3C956	1-71
242473	1-27	3C995	1-70, 1-71
242476	1-27	3C996	1-71
242477	1-73	3C997	1-71
242478	1-77	3C998	1-71
242479	1-79	3J608	1-5
242484	1-70	3K176	1-27, 1-73, 1-77, 1-79
242489	1-110	3K706	1-110
242494	1-53	3P001	1-5
244048	1-53	3P007	1-5, 1-7
244074	1-27, 1-29	3P078	1-110
244078	1-25, 1-27, 1-29	3P284	1-25, 1-27, 1-29
244081	1-27, 1-29	4000671	1-106
248376	1-45	4001294	1-106
2-557-010417	1-3	415	1-23
2703-LN-6	1-55, 1-79	4C688	1-12
2C055	1-13, 1-14	4C689	1-13, 1-14
2C062	1-12	4C856	1-73, 1-77
2C112	1-12, 1-13, 1-14	4D401	1-37
2C360	1-53	4D402	1-37
2C524	1-13, 1-14	4D413	1-37
2C714	1-11	4J548	1-21
2C809	1-70	4K913	1-14
2J155	1-77, 1-79	51365-4	1-39, 1-41
2J241	1-77, 1-79	528933	1-110
2K123	1-110	528934	1-110
2K503	1-33, 1-39, 1-41	528938	1-110
2P088	1-33	5D129	1-86
2P252	1-3, 1-5, 1-25, 1-27, 1-29, 1-37, 1-39, 1-41, 1-53, 1-59, 1-82, 1-101	5D505	1-70
		5J616	1-77, 1-79

INDEX

5K262	<i>1-85, 1-98, 1-99</i>	9J429	<i>1-37, 1-110</i>
5K268	<i>1-89</i>	9K416	<i>1-53</i>
5K277	<i>1-85</i>	9K424	<i>1-53</i>
5K310	<i>1-85, 1-86</i>	9K425	<i>1-53</i>
5K319	<i>1-37</i>	9K740	<i>1-86, 1-110</i>
5K387	<i>1-89</i>	9K788	<i>1-110</i>
5K388	<i>1-89</i>		
5K398	<i>1-89</i>		
5K400	<i>1-89</i>		
5K402	<i>1-89</i>		
5K416	<i>1-89</i>		
5K968	<i>1-37</i>		
6D333	<i>1-5</i>		
6J448	<i>1-21</i>		
6J580	<i>1-21</i>		
6J779	<i>1-21</i>		
6K201	<i>1-37, 1-99</i>		
6K928	<i>1-21, 1-23</i>		
6K970	<i>1-73, 1-77, 1-79</i>		
70260977	<i>1-25, 1-27, 1-29, 1-110</i>		
71509006	<i>1-79</i>		
7D014	<i>1-77, 1-79</i>		
7D728	<i>1-77, 1-79</i>		
7D937	<i>1-53</i>		
7D938	<i>1-53</i>		
7J140	<i>1-53</i>		
7K016	<i>1-11</i>		
7K345	<i>1-39, 1-41</i>		
81264	<i>1-89</i>		
8C381	<i>1-11</i>		
8J309	<i>1-110</i>		
8J564	<i>1-70</i>		
8J791	<i>1-23</i>		
9D135	<i>1-23</i>		
9D854	<i>1-41</i>		
9J111	<i>1-81</i>		
9J278	<i>1-21</i>		
9J301	<i>1-110</i>		

W

W915092-4	<i>1-34</i>
-----------------	-------------

Instructions for Ordering Parts

**** Repair parts must be ordered through an authorized dealer ****

DEALER INSTRUCTIONS FOR ORDERING PARTS FROM LANDOLL PARTS DISTRIBUTION CENTER

PHONE #: 800-423-4320 OR 785-562-5381

FAX #: 888-527-3909

ORDER ONLINE: Dealer.landoll.com

DATA PLATE

See Figure 1-1 for the Data Plate, which lists the model and serial number of the equipment. It is located on the left side of the frame.

SERIAL NUMBER NOMENCLATURE

The serial number for the 4610-16 Ag Seeder is located on the Data Plate. The following information will help decode the Landoll serial number.

ASD22000100 = xxmyysssss

xx	= model series (i.e. "AS" for all Agriculture Seeders)
m	= month of manufacture (ex. "D" means April. The letter I is not used.)
yy	= last digits of the year manufactured (ex. "22" means 2022)
sssss	= Sequential number used to track warranty and service information.



Figure 4-1: Data Plate

Manuals for 4610-16 Ag Seeder

Manual Number	Manual Type
F-1134	Operator's Manual
F-1133	Parts Manual

Document Control Revision Log:

Date	Form #	Improvement(s): Description and Comments
01/2023	F-1133-0123	Initial Release
04/2023	F-1133-2304	ECN 48955 / 48958 - Hardware Changes / Single Box Deflector Drawing *Revised Format "Year/Month"
06/2023	F-1133-2306	ECN 49125 - Walk Plank, Flip-Down Step
08/2023	F-1133-2308	ECN 49197 - Transport Lock
09/2023	F-1133-2309	ECN 49311 - Step Hardware
10/2023	F-1133-2310	ECN 49349 - Pivot Lock Assembly on Seed Box Covers ECN 49411 - Set Screw Part Number to Asm (*10/31/2023) ECN 49414 - Seed Box Asm (*11/09/2023)
01/2024	F-1133-2401	ECN 49592 - 4D413 Bearing to 238886 ECN 49689 - Revisions to Sprockets, Roller Chain, Decals, Seed Rates
03/2024	F-1133-2403	ECN 49807 - Seed Box Dividers now Welded into Seed Box Updated ISO logos to ISO 9001:2015 (Revised 04/2024)
04/2024	F-1133-2404	ECN 49868 - Agitator Seed Box Assembly



intertek

Equipment from Landoll Company, LLC is built to exacting standards ensured by ISO 9001:2015 registration at all Landoll manufacturing facilities.

Sure Stand Seeder Model 4610-16 Parts Manual

Re-Order Part Number F-1133

LANDOLL COMPANY, LLC

1900 North Street

Marysville, Kansas 66508

(785) 562-5381

800-428-5655 ~ WWW.LANDOLL.COM



Copyright 2024. Landoll Company, LLC

“All rights reserved, including the right to reproduce this material or portions thereof in any form.”

