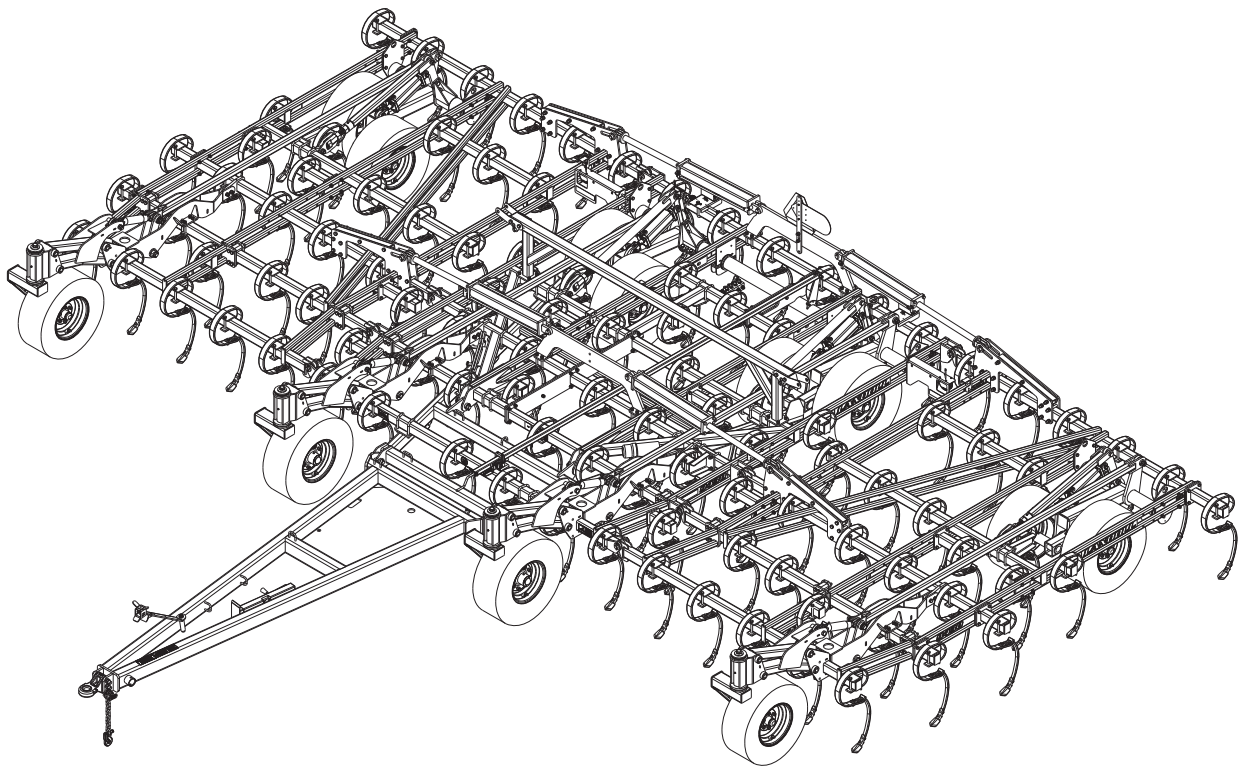




**Model 9430FH
Field Cultivator
Operators Manual**



LANDOLL COMPANY, LLC

1900 North Street

Marysville, Kansas 66508

(785) 562-5381

800-428-5655 ~ **WWW.LANDOLL.COM**

Instructions for Ordering Parts

**** Repair parts must be ordered through an Authorized Dealer ****

DEALER INSTRUCTIONS FOR ORDERING PARTS FROM LANDOLL PARTS DISTRIBUTION CENTER

Phone #: 800-423-4320 or 785-562-5381

Fax #: 888-527-3909

Order online: dealer.landoll.com

IDENTIFICATION PLATE

The identification plate, which lists the model number and serial number, is located on the front of the frame.

SERIAL NUMBER

The serial number is located on the identification plate.
The Following information will help decode the 9430FH Field Cultivator serial number

94H232000 = xxmysssss

QR CODE DECAL

The 9400 series QR code decal, may be scanned to link you to the most current manuals, located on the front of the frame *See Figure 1-1*

xx	= model series (i.e. 94 for Field Cultivator)
m	= month of manufacture (ex. "H" means October. The letter I is not used.)
yy	= year manufactured (ex. "23" means 2023)
SSSSS	= Sequential number used to track warranty and service information.

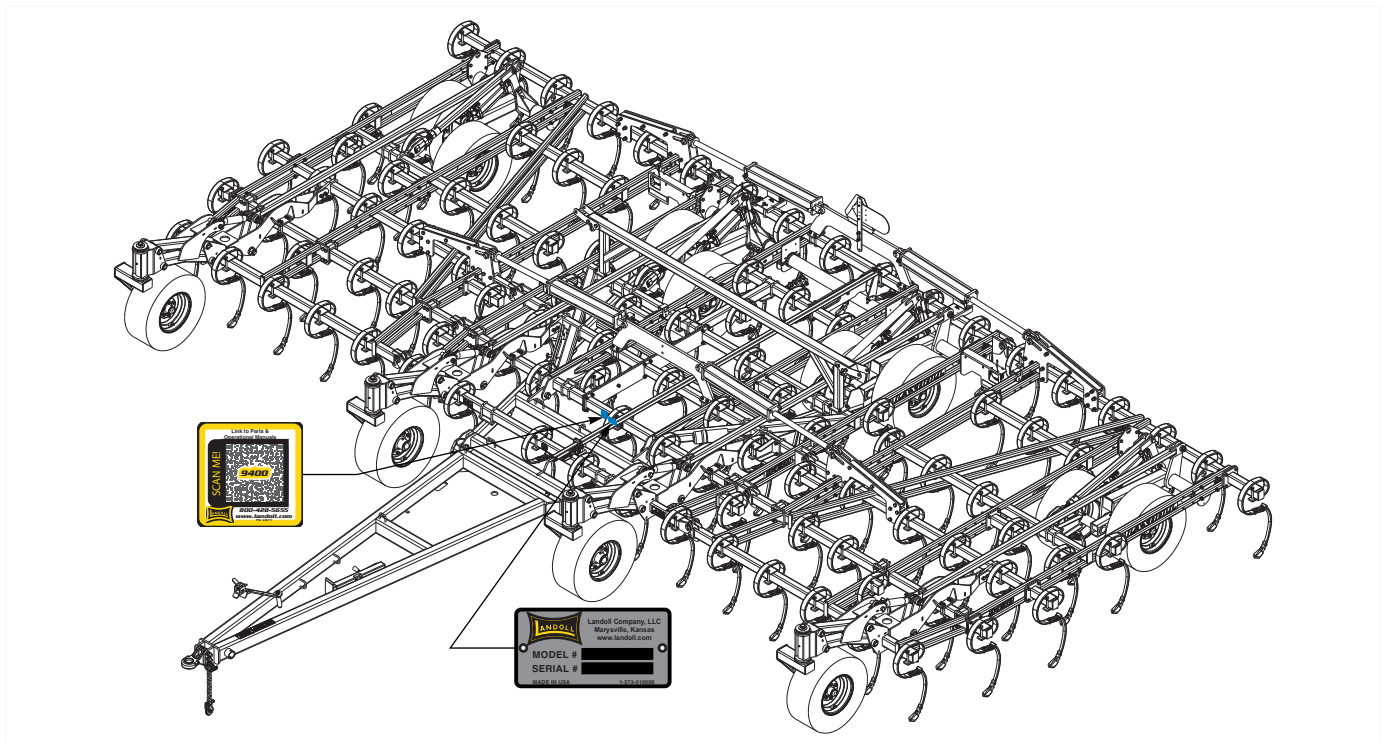


Figure 1-1: Identification Plate and Location

Manuals for 9430FH Field Cultivator

Manual Number	Manual Type
F-1136	Operator's Manual
F-1137	Parts Manual



DANGER

DO NOT operate or perform any maintenance tasks on this equipment until you have completed the following:

- 1. Receive proper training to operate this equipment safely.**
- 2. Read and understand the operator's manual.**
- 3. Be thoroughly trained on inspection and repair procedures.**

Failure to comply with this warning may result in serious injury or possibly death.

Table of Contents

1 Introduction and Safety Information

Understanding Safety Statements	1-2
Decal Safety	1-2
Transporting Safety	1-2
Attaching, Detaching, and Storage	1-3
Maintenance Safety	1-3
High Pressure Fluid Safety	1-3
Protective Equipment	1-3
Chemical Safety	1-3
Prepare for Emergencies	1-3
Tire Safety	1-4
Safety Chain	1-4
Safety Decals and Reflectors	1-5

2 Specifications

Introduction	2-1
Owner Assistance	2-1
Warranty Registration	2-1
General Torque Specifications (rev. 4/97)	2-4
Hydraulic Fitting Torque Specifications	2-5
Model Specifications	2-6
Shank Placement	2-8
3 Row Tine and Reel Placement	2-10
3 Row Spike and Reel Placement	2-16
2RS DBL Flat Reel Placement	2-22

3 Assembly Instructions

Center Frame Assembly	3-2
Center Frame Fold, Hitch Extension, Depth Control Assembly	3-4
Hitch Assembly	3-6
Gauge Wheel Assembly Center	3-6
Wing Frames	3-8
Wing Gauge Wheel Installation	3-8
Hydraulic Installation	3-10
LED Light Installation	3-20
Tine Installation	3-24
3 Row Coil Tine and Reel Harrow Installation	3-26
3 Row Spike and Reel Harrow Installation	3-28
Rear Tow Hitch (Option)	3-32

4 Operation

Hydraulic Lift System	4-2
Hydraulic Fold System	4-4
Leveling (Side to Side)	4-8
9430FH Gauge Wheels	4-9

Depth Stop Adjustment	4-10
LED Light Operation.....	4-10
General Operation	4-11
3 Row Coil Tine and Reel Adjustments	4-12
3 Row Spike and Reel Adjustments.....	4-14
2RS DBL Flat Reel Adjustments	4-16

5 Maintenance and Lubrication

Wheel Bearing Maintenance – Non Triple-Lip	5-1
Wheel Bearing Maintenance -- Triple-Lip.....	5-1
Lubrication	5-2
Storage.....	5-3

6 Troubleshooting Guide

Introduction and Safety Information

The Landoll Model 9430FH Field Cultivator is a quality product designed to give years of trouble free performance. By following each section of this manual, your system will perform as designed for you and your operation.

- CHAPTER 1** Gives basic instructions on the use of this manual and understanding the safety statements.
- CHAPTER 2** Gives product specifications for the equipment. These specifications supply lengths and measures for your equipment. A Standard Bolt Torque Table is provided to give guidelines for bolt torques to be used when servicing this product.
- CHAPTER 3** Contains assembly instructions for your equipment. When these procedures are correctly followed, your equipment should provide you years of trouble-free operation and service.
- CHAPTER 4** Instructs how to operate your equipment before using it, and describes adjustments needed.
- CHAPTER 5** Instructs how to operate your equipment before using it, and describes adjustments needed. Gives practical advice for the care and maintenance of your Landoll equipment. Drawings in this section locate adjustment points on the equipment.

IF YOU HAVE ANY QUESTIONS CONTACT:

**LANDOLL COMPANY, LLC
1900 NORTH STREET
MARYSVILLE, KANSAS 66508**

PHONE # (785) 562-5381 or (800) 428-5655

OR

FAX # (888) 527-3909

- CHAPTER 6** Is a troubleshooting guide to aid in diagnosing and solving problems with the equipment.
- PARTS LIST** Is a separate manual showing the various assemblies, subassemblies, and systems. Refer to that manual when ordering Landoll replacement parts. Order parts from your Landoll dealer.
- WARRANTY** The Warranty Registration form is included with the product documents. Fill it out and mail it within 15 days of purchase.
NOTE: IMPROPER ASSEMBLY, MODIFICATION, OR MAINTENANCE OF YOUR LANDOLL MACHINE CAN VOID YOUR WARRANTY.
- COMMENTS** Address comments or questions regarding this publication to:

**LANDOLL COMPANY, LLC
1900 NORTH STREET
MARYSVILLE, KANSAS 66508
ATTENTION: PUBLICATIONS - DEPT. 55**

Understanding Safety Statements

You will find various types of safety information on the following pages and on the machine signs (decals) attached to the vehicle. This section explains their meaning.



The Safety Alert Symbol means ATTENTION! YOUR SAFETY IS INVOLVED!

NOTE

Means that failure to follow these instructions could cause damage to the equipment or cause it to operate improperly.

NOTICE

Special notice - read and thoroughly understand



CAUTION

Caution means serious equipment or other property damage can occur if instructions on this label are not properly followed.



WARNING

Warning means serious injury or death can occur if safety measures or instructions on this label are not properly followed.



DANGER

Danger means a life-threatening situation exists. Death can occur if safety measures or instructions on this label are not properly followed.

NOTE

Make sure you read and understand the information contained in this manual and on the machine signs (decals) before you attempt to operate or maintain this vehicle.

The safety statements contained in this manual relate to the operation of the Model 9430FH Field Cultivator.

Decal Safety

1. Examine safety decals and be sure you have the correct safety decals for the implement.
2. Keep these signs clean so they can be observed readily. It is important to keep these decals cleaned more frequently than the implement. Wash with soap and water or a cleaning solution as required.
3. Replace decals that become damaged or lost. Also, be sure that any new implement components installed during repair include decals which are assigned to them by the manufacturer.
4. When applying decals to the implement, be sure to clean the surface to remove any dirt or residue. Where possible, sign placement should protect the sign from abrasion, damage, or obstruction from mud, dirt, oil etc.



DANGER

- Do not allow anyone to ride on the tractor or implement. Riders could be struck by foreign objects or thrown from the implement.
- Never allow children to operate equipment.
- Keep bystanders away from implement during operation.

Transporting Safety

1. Thoroughly read and understand all operating procedures contained in this manual before attempting to transport this implement.
2. ***It is the responsibility of the operator to understand and comply with all federal, state, and local requirements before transporting the field cultivator.***
3. When transporting the implement on road or highway, use adequate warning symbols, reflectors, lights, SIS, and slow moving vehicle signs as required. Verify that all symbols and lights are clearly visible and functioning before transporting. Transport during daylight hours whenever possible. Slow moving tractors and implements can create a hazard when driven on public roads and can be difficult to see especially at night.
4. Do not tow an implement that when fully loaded, weighs more than 1.5 times the weight of the towing vehicle. Never tow the implement with a motor vehicle. Tow the implement only with a properly ballasted tractor.
5. Use a locking-style hitch pin that properly fits the tractor drawbar and the implement hitch. Lock the tractor drawbar in the center position to prevent loss of steering control.

6. Attach the safety chain to the tractor recommended drawbar support. Provide only enough slack in the chain for turning. Do not attach the safety chain to an intermediate support. Safety chain must have rating greater than the gross weight of the towed implement(s). Replace the safety chain if it is worn or damaged in any way.
7. Verify that all hydraulic hoses and electrical wiring between the tractor and implement are safely routed to avoid damage.
8. Check implement tire pressure for correct inflation. Verify that lug nuts are properly torqued before transporting.
9. Install all transport locks and pins before transporting.
10. Never allow riders on the implement.
11. **Maximum transport speed for the field cultivator is 20 mph, regardless of the tractor capabilities.** Excessive speed may result in loss of control of the tractor and implement, reduced braking, or failure of the implement tires and/or structure. Slow down when road surface conditions are poor or rough, or when driving on inclines. Reduce speed when turning, on curves and slopes, to avoid tipping. Equipment altered other than the place of manufacture, may further reduce the maximum transport speed.
12. Avoid overhead power lines. Serious injury or death can result. Electrocutation can occur without direct contact. Know the transport height and width of the implement before transporting. Attachments can increase the height and width of the implement.

Attaching, Detaching, and Storage

1. Do not stand between the tractor and implement when attaching or detaching implement unless both are not moving.
2. Block implement so it will not roll when unhitched from the tractor.
3. Store in an area where children normally do not play.

Maintenance Safety

1. Understand the procedure before doing the work. Use proper tools and equipment.
2. Make sure all moving parts have stopped.
3. Do not make adjustments or lubricate implement while it is in motion.
4. Block the implement so it will not roll when working on or under it to prevent injury.

5. Install hydraulic cylinder lockouts, or lower equipment to the ground before servicing.

High Pressure Fluid Safety

1. Escaping fluid under pressure can be nearly invisible and have enough force to penetrate the skin causing serious injury. Use a piece of cardboard, rather than hands, to search for suspected leaks.
2. Any fluid injected into the skin must be surgically removed within a few hours or gangrene may result.
3. Avoid the hazard by relieving pressure before disconnecting hydraulic lines.

Protective Equipment

1. Wear protective clothing and equipment.
2. Wear clothing and equipment appropriate for the job. Avoid loose fitting clothing.



3. Because prolonged exposure to loud noise can cause hearing impairment or hearing loss, wear suitable hearing protection, such as earmuffs or earplugs.

Chemical Safety

1. Agricultural chemicals can be dangerous. Improper use can seriously injure persons, animals, plants, soil and property.
2. Read chemical manufacture's instructions and store or dispose of unused chemicals as specified.
3. Handle chemicals with care and avoid inhaling smoke from any type of chemical fire.
4. Store or dispose of unused chemicals as specified by the chemical manufacturer.

Prepare for Emergencies

1. Keep a First Aid Kit and Fire Extinguisher handy.
2. Keep emergency numbers for doctor, ambulance, hospital and fire department near the phone.

Tire Safety

1. Tire changing can be dangerous and should be performed by trained personnel using correct tools and equipment.
2. When inflating tires, use a clip-on chuck and extension hose long enough to allow you to stand to one side, not in front of or over the tire assembly. Use a safety cage if available.
3. When removing and installing wheels use wheel-handling equipment adequate for the weight involved.

Safety Chain

1. Use a chain with a strength rating equal to or greater than the gross weight of towed machinery, which is 10,100 pounds minimum in accordance with ASAE S338.2 specifications. If two or more implements are pulled in tandem, a larger chain may be required. Chain capacity must be greater than the TOTAL weight of all towed implements.
2. Additional safety chain should be used between each implement.
3. Attach the chain to the tractor drawbar support or specified anchor location. Allow only enough slack in the chain to permit turning. The distance from hitch pin to attachment point or intermediate support point should not exceed 9 inches.
4. Replace the chain if any links or end fittings are broken, stretched or damaged.
5. Do not use a safety chain for towing.

Safety Decals and Reflectors

The 9430FH Field Cultivator is equipped with all safety signs installed for safe operation.

For you safety:

- Carefully read and follow safety sign directions.
- Keep the safety signs clean and visible.
- Replace damaged, missing, or illegible safety signs.
- Be sure any new equipment or repair parts include safety signs.

New safety signs may be ordered from your Landoll dealer. Refer to this section for parts and proper safety sign placement.

To Install new safety signs:

1. Remove the old damaged safety sign if still present.
2. Clean placement area to remove any dirt or grease.
3. Remove backing from new safety sign.
4. Apply the safety sign starting from one end pressing firmly and working across the safety sign being careful not to create any air bubbles.

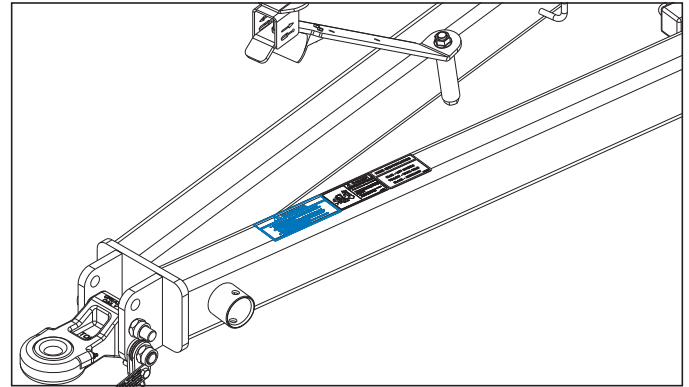
P/N 8-573-010084

Warning: Before Operating



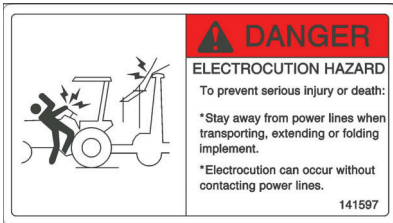
Front of hitch, 1st from left

QTY. 1



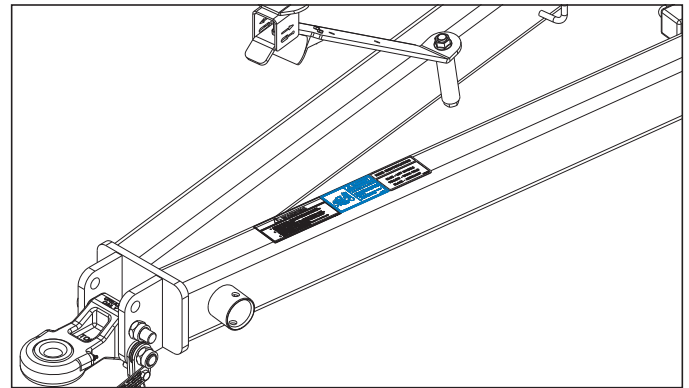
P/N 141597

Danger: Electrocutation Hazard



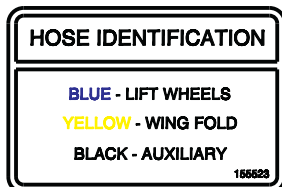
Front of hitch, 2nd from left

QTY. 1



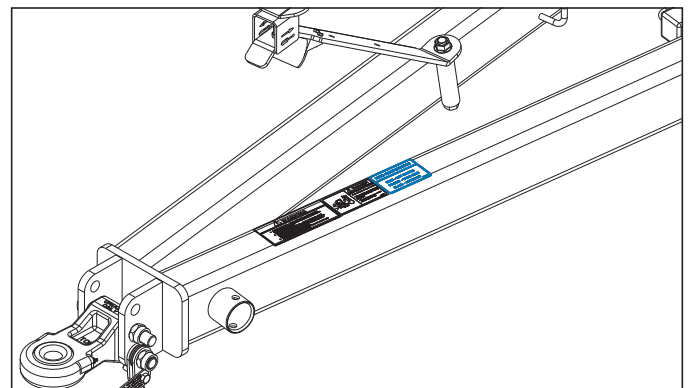
P/N 155523

Hose Identification



Front of hitch, 3rd from left

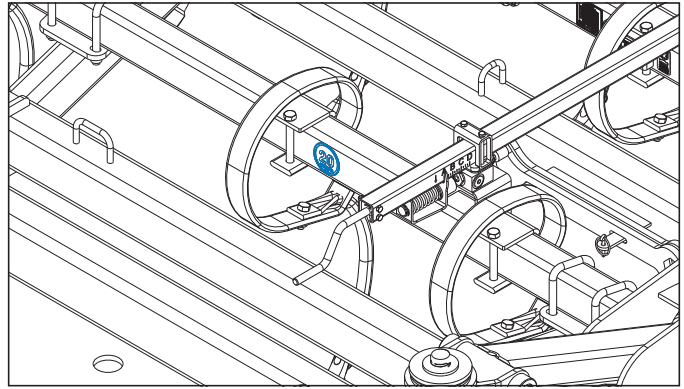
QTY. 1



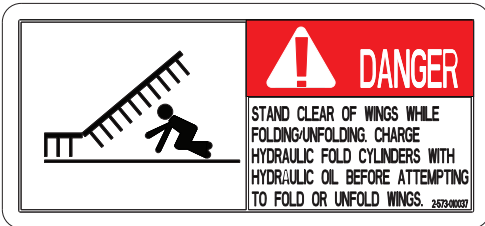
P/N 144193
SIS 20MPH



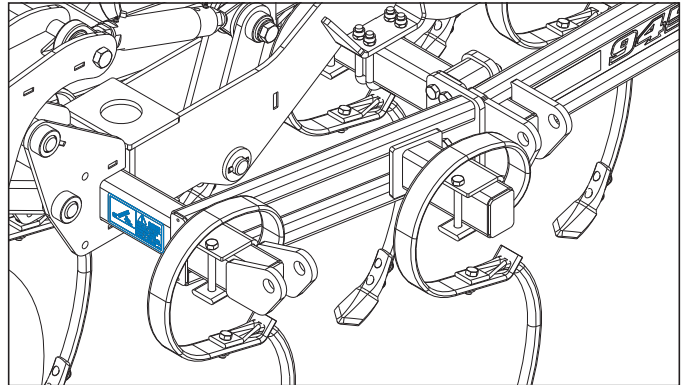
Front of center frame extension, middle
QTY. 1



P/N 2-573-010037
Danger: Folding wing



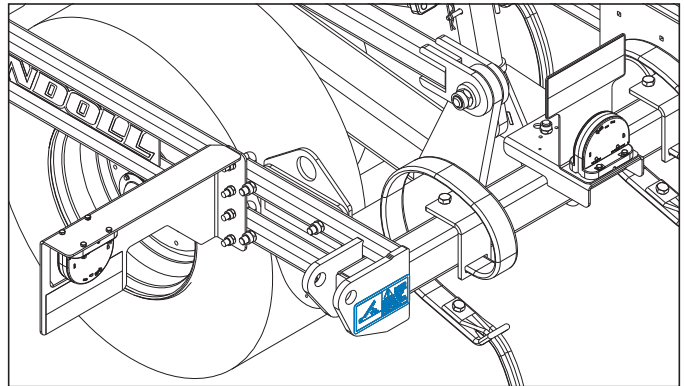
Front side, front hinge plate, center frame extension, both sides
QTY. 2



P/N 2-573-010037
Danger: Folding wing



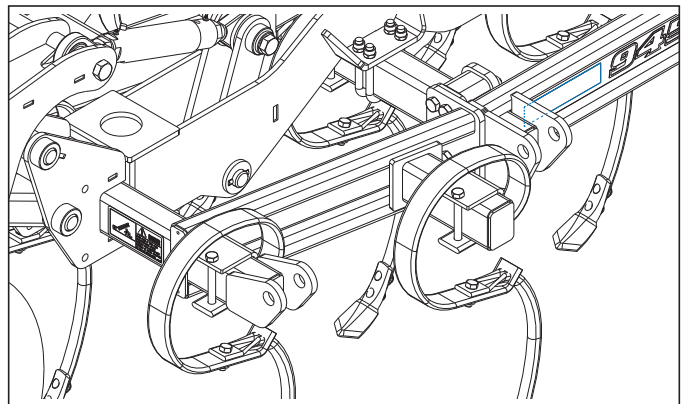
Back side, rear hinge plate, center frame, both sides
QTY. 2



P/N 528934
Yellow Reflector



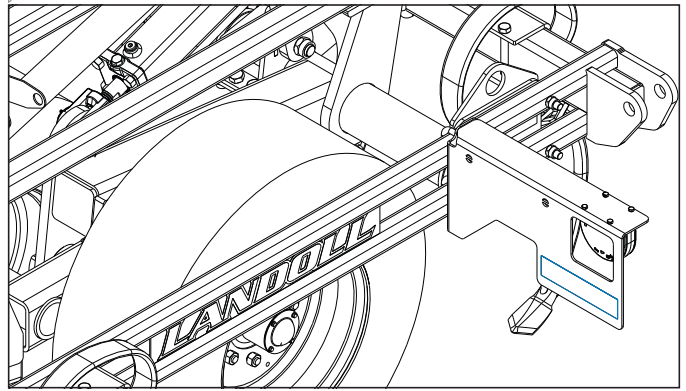
Left front, center frame, both sides
QTY. 2



**P/N 528934
Yellow Reflector**



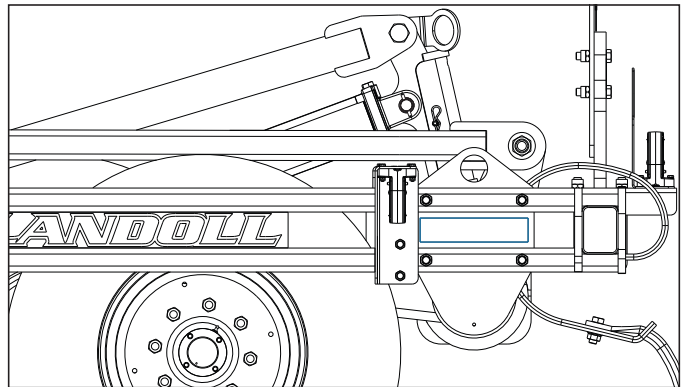
Left front, amber light bracket, both sides
QTY. 2



**P/N 528934
Yellow Reflector**



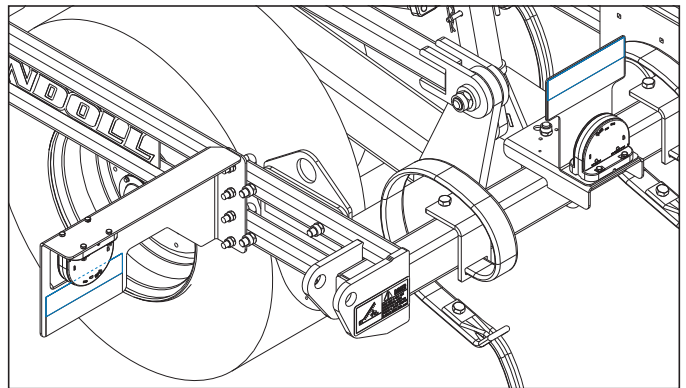
Left rear, center lift plate, both sides
QTY. 2



**P/N 528938
Orange Reflector**



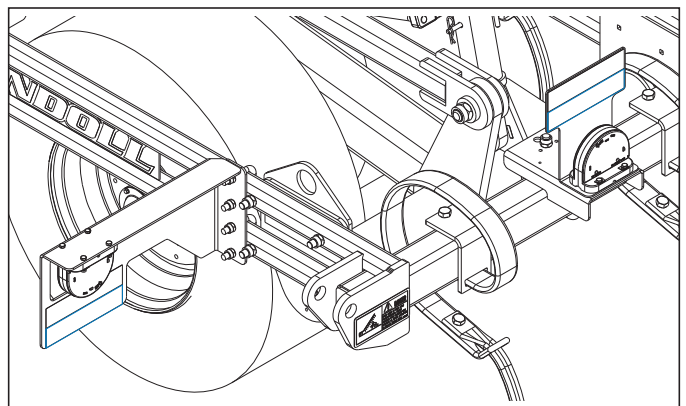
Back side, light brackets, top, both sides
QTY. 4



**P/N 528933
Red Reflector**



Back side, light brackets, bottom, both sides
QTY. 4

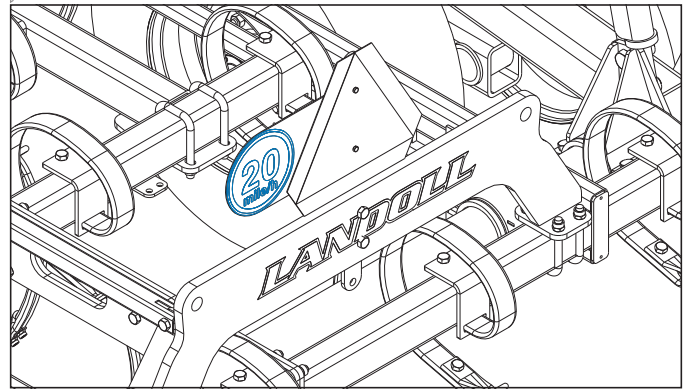


P/N 224589
SIS 20 mile/h

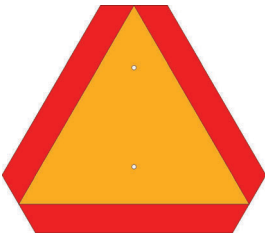


Back side of SIS 20MPH mount plate

QTY. 1

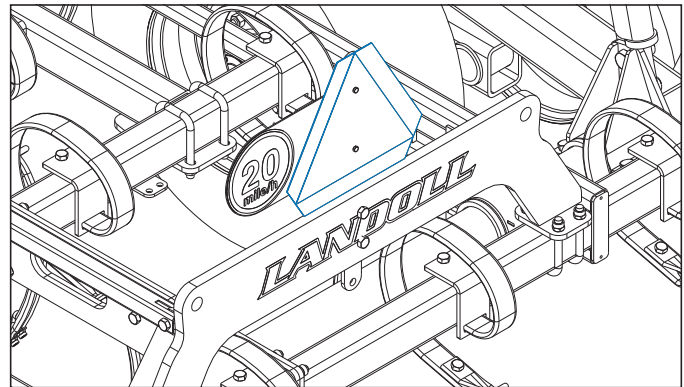


P/N 70260977
SMV Emblem



Back side, SMV mount plate

QTY. 1

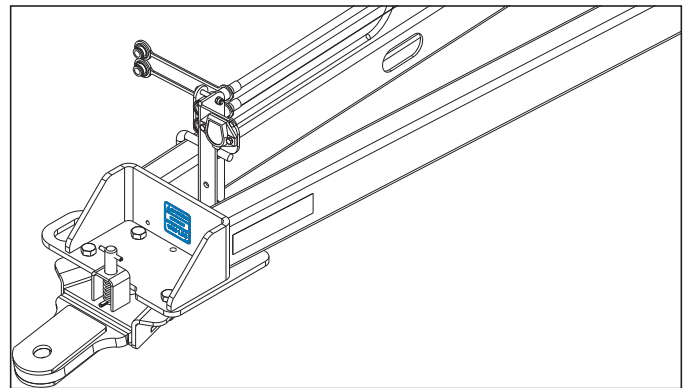


P/N 231488
Caution: Maximum Hitch Weight



Back side of rear tow hitch

QTY. 1

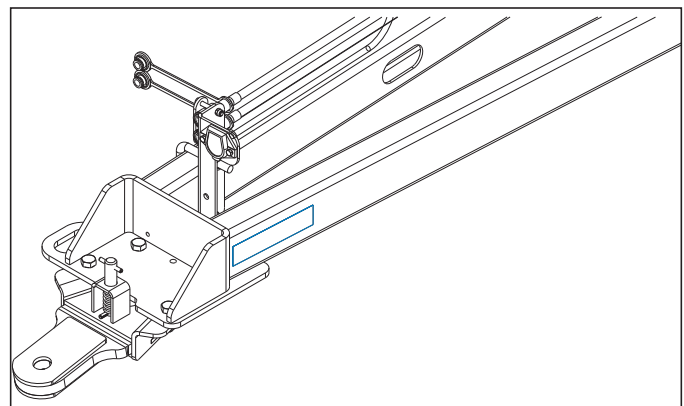


P/N 528934
Yellow Reflector



Left side, rear tow hitch, both sides

QTY. 2



Specifications

Introduction

This manual is compiled as a guide for owners and operators of the 9430FH Field Cultivator. Read it carefully so as to be able to follow the suggestions made. Please take time to understand the proper maintenance schedule and SAFE operation of your equipment.

In the event that a new and inexperienced operator is placed in charge of running the equipment, they should read and understand, that part of the manual for proper maintenance and SAFE operation, and to be trained in regard by an experienced operator.

Owner Assistance

If customer service or repairs are needed, contact your Landoll dealer. They have trained personnel, parts and service equipment specially designed for Landoll products. Your machine's parts should only be replaced with Landoll parts. Have the Serial Number and complete Model Number available when ordering parts from your Landoll dealer. *See Figure 2-1*

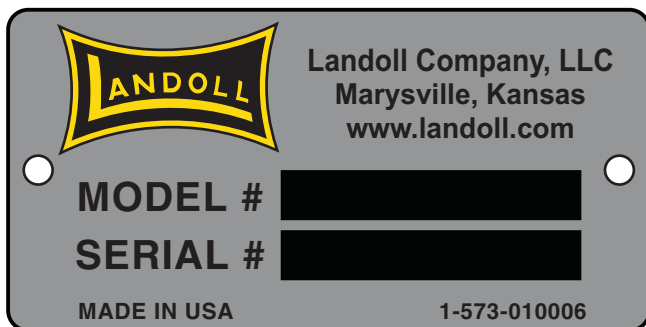


Figure 2-1: ID Plate

Warranty Registration

Be certain to register the grain drill Online registration at www.landoll.com within 10 days of purchase or lease, in order to be on file at Landoll and eligible for Warranty.

Take time to read and understand the Warranty for this product, *See Page 2-2* and *See Page 2-3*.

Landoll reserves the right to make changes and/or add improvements to it's products at any time without obligation to previously manufactured equipment.

Please take time to complete the following information for your personal reference, should you need to contact your Dealer with questions or parts needs.

MODEL _____
 SERIAL # _____
 DATE OF PURCHASE _____
 DEALER NAME _____

We at Landoll wish to thank you for purchasing our product. We have spent considerable time and effort to research, design, test and develop this machine and are confident it will serve you in the use for which it was designed.



LANDOLL TILLAGE PRODUCT THREE YEAR LIMITED WARRANTY

Landoll Company, LLC warrants each new serial numbered Whole Good Tillage product, when properly assembled, adjusted, serviced, and normally operated, to be free from defects in materials and workmanship for a period of three (3) years, unless otherwise noted, from the date of delivery. Date of delivery shall be the date the Dealer places the product in the possession of the original retail purchaser, and must be confirmed by the Dealer submitting a properly completed Landoll Company, LLC Warranty Registration Form to the Landoll Company, LLC Warranty Department. Warranty starts the day the product is rented or leased. This limited warranty shall be transferable until the expiration date.

Landoll Company, LLC shall repair, or at its option, replace any part(s) of the product determined, by Landoll Company, LLC, to be defective. Landoll Company, LLC may request the return of part(s), freight prepaid via a carrier approved by the Landoll Warranty Staff, to Landoll Company, LLC for further evaluation. If the part is determined to be defective, Landoll Company, LLC will refund the freight charges incurred in returning the defective part(s), and will prepay replacement part(s) freight charges.

This limited warranty requires pre-authorization by the Landoll Company, LLC Warranty Staff of any warranty related utilization of components or labor, and is subject to specific exclusions and does not apply to any product which has been: 1) subjected to or operated in a manner which, at any time, have exceeded the product design limits: 2) repaired or altered outside our factory in any way so as, in the judgment of Landoll Company, LLC, to affect its stability or reliability: 3) subject to misuse, negligence, accident, or has been operated in a manner expressly prohibited in the instructions; or not operated in accordance with practices approved by Landoll Company, LLC. Operating the product in soils containing rocks, stumps or obstructions may void the warranty in its entirety. Excessive acres, consistent with nonseasonal very large farming operations, and, non-agricultural activities, may further limit the terms of this warranty.

The sole obligation of Landoll Company, LLC under this warranty shall be limited to repairing or replacing, at its option, part(s) which shall be identified to Landoll Company, LLC by way of a pre-authorized Landoll Company, LLC e-mail Warranty Claim Form. Warranty, expressed or implied, will be denied on any product not properly registered with the Landoll Company, LLC Warranty Department within ten (10) days of the first retail sale. As stated above, Landoll Company, LLC Warranty Staff will identify components listed on a Warranty Claim required to be returned for further analysis. All parts returned to Landoll Company, LLC must be shipped with a Return Materials Authorization (RMA) provided by the Landoll Company, LLC Warranty Staff. Defective components must be returned by the purchaser to Landoll Company, LLC with transportation and freight charges prepaid within fifteen (15) days after receipt of the RMA. The examination conducted by Landoll Company, LLC of returned parts shall disclose to its satisfaction the extent the component may be defective.

All parts and labor warranty MUST be pre-authorized by Landoll Company, LLC Warranty Staff. Failure to do so may result in no warranty payment of any kind. Labor will be reimbursed in accordance with published shop rates pre-approved by the Landoll Company, LLC Warranty Staff. Time authorized for specific work will be limited, where appropriate, to the hours listed in the Landoll Company, LLC authorized Labor Rate Guide.

LANDOLL TILLAGE PRODUCT THREE YEAR LIMITED WARRANTY (Continued)

USER'S OBLIGATION:

1. Read the Operator's Manual
2. Understand the safe and correct operating procedures pertaining to the operation of the product.
3. Lubricate and maintain the product according to the maintenance schedule in the Operator's Manual.
4. Inspect machine and have parts repaired or replaced when continued use of the produce would cause damage or excessive wear to other parts.
5. Contact the Landoll Company, LLC Dealer for repair or replacement of defective parts. Mileage incurred by the Landoll Company, LLC Dealer is the customer's responsibility.

This 3-Year Limited Warranty SHALL NOT APPLY TO:

(See Warranty Procedure Manual for details.)

1. Ground Engaging Tools
2. Vendor Warranty Only Parts

WARRANTY LABOR:

1. Considered during the first year of warranty only.
2. During the second and third year:
 - Warranty labor is not covered. Customer is responsible for removing, replacing and returning the defective part(s) to the Landoll Dealer

THIS WARRANTY IS EXPRESSIVELY IN LIEU OF ALL OTHER WARRANTIES OF MATERIAL, WORKMANSHIP, DESIGN, APPLICATION OR OTHERWISE WITH RESPECT TO ANY EQUIPMENT, WHETHER EXPRESS, IMPLIED OR STATUTORY, INCLUDING WARRANTIES OF MERCHANTABILITY AND FITNESS FOR A PARTICULAR PURPOSE, AND LANDOLL COMPANY, LLC SHALL NOT BE LIABLE FOR SPECIAL OR CONSEQUENTIAL DAMAGES OF ANY KIND ON ACCOUNT OF ANY LANDOLL PRODUCT.

NO EMPLOYEE OR REPRESENTATIVE IS AUTHORIZED TO CHANGE THIS WARRANTY, VERBALLY OR IN WRITING, OR GRANT ANY OTHER WARRANTY. LANDOLL COMPANY, LLC, WHOSE POLICY IS ONE OF CONTINUOUS IMPROVEMENT, RESERVES THE RIGHT TO MAKE CHANGES WITHOUT OBLIGATION TO MODIFY PREVIOUSLY PRODUCED EQUIPMENT.

This warranty does not expand, enlarge upon or alter in any way, the warranties provided by the original manufacturers and suppliers of component parts and accessories. This warranty excludes such parts or accessories which are not defective, but may wear out and have to be replaced during the warranty period, including, but not limited to, light bulbs, paint, and the like. (Tire Warranties are expressly excluded from Landoll Company, LLC warranty herein.) Purchaser is expected to pay all repairs or replacement costs, in connection with this Agreement, including sales and other taxes immediately upon completion of work performed.

LIMITATION OF LIABILITY: Landoll Company, LLC shall not be liable to purchaser for any incidental or consequential damages suffered by the purchaser, including, but not limited to, any commercially reasonable charges, expenses or commissions incurred in connection with effecting cover or any other reasonable expense incident to the delay or other breach of warranty by Landoll Company, LLC, loss of anticipated profits, transportation expenses due to repairs, non-operation or increased expense of operation costs of purchased or replaced equipment, claim of customers, cost of money, any loss of use of capital or revenue, equipment rental, service trips, or for any special damage or loss of any nature arising at any time or from any cause whatsoever.

LIMITATION OF REMEDY: In the event of Landoll Company, LLC failure to repair the product subject to the warranty contained herein, the purchaser's sole and exclusive remedy against Landoll Company, LLC shall be for the repair or replacement of any defective part or parts of the product subject to work or repair within the time period and manner set forth herein.

This exclusive remedy shall not be deemed to have failed of its essential purpose so long as Landoll Company, LLC is willing and able to repair or replace defective parts in the prescribed manner.

General Torque Specifications (rev. 4/97)

TORQUE SPECIFIED IN FOOT POUNDS

This chart provides tightening torques for general purpose applications when special torques are not specified on process or drawing. Assembly torques apply to plated nuts and cap-screws assembled without supplemental lubrication (as received condition). They do not apply if special graphite moly-disulfide or other extreme pressure lubricants are used. When fasteners are dry (solvent cleaned) add 33% to as received condition torque. Bolt head identification marks indicate grade and may vary from manufacturer to manufacturer. Thick nuts must be used on grade 8 cap-screws. Use value in [] if using prevailing torque nuts.

UNC SIZE	SAE Grade 2	SAE Grade 5	SAE Grade 8	UNF SIZE	SAE Grade 2	SAE Grade 5	SAE Grade 8
1/4-20	4 [5]	6 [7]	9 [11]	1/4-28	5 [6]	7 [9]	10 [12]
5/16-18	8 [10]	13 [13]	18 [22]	5/16-24	9 [11]	14 [17]	20 [25]
3/8-16	15 [19]	23 [29]	35 [42]	3/8-24	17 [21]	25 [31]	35 [44]
7/16-14	24 [30]	35 [43]	55 [62]	7/16-20	27 [34]	40 [50]	60 [75]
1/2-13	35 [43]	55 [62]	80 [100]	1/2-20	40 [50]	65 [81]	90 [112]
9/16-12	55 [62]	80 [100]	110 [137]	9/16-18	60 [75]	90 [112]	130 [162]
5/8-11	75 [94]	110 [137]	170 [212]	5/8-18	85 [106]	130 [162]	180 [225]
3/4-10	130 [162]	200 [250]	280 [350]	3/4-16	150 [188]	220 [275]	320 [400]
7/8-9	125 [156]	320 [400]	460 [575]	7/8-14	140 [175]	360 [450]	500 [625]
1-8	190 [237]	480 [506]	680 [850]	1-14	210 [263]	540 [675]	760 [950]
1-1/8-7	270 [337]	600 [750]	960 [1200]	1-1/8-12	300 [375]	660 [825]	1080 [1350]
1-1/4-7	380 [475]	840 [1050]	1426 [1782]	1-1/4-12	420 [525]	920 [1150]	1500 [1875]
1-3/8-6	490 [612]	1010 [1375]	1780 [2225]	1-3/8-12	560 [700]	1260 [1575]	2010 [2512]
1-1/2-6	650 [812]	1460 [1825]	2360 [2950]	1-1/2-12	730 [912]	1640 [2050]	2660 [3325]
1-3/4-5	736 [920]	1651 [2063]	2678 [3347]	1-3/4-12	920 [1150]	2063 [2579]	3347 [4183]

METRIC:

Coarse thread metric class 10.9 fasteners and class 10.0 nuts and through hardened flat washers, phosphate coated, Rockwell "C" 38-45. Use value in [] if using prevailing torque nuts.

Nominal thread diameter (mm)	Newton Meters (Standard Torque)	Foot Pounds (Standard Torque)	Nominal Thread Diameter (mm)	Newton Meters (Standard Torque)	Foot Pounds (Standard Torque)
6	10 [14]	7 [10]	20	385 [450]	290 [335]
7	16 [22]	12 [16]	24	670 [775]	500 [625]
8	23 [32]	17 [24]	27	980 [1105]	730 [825]
10	46 [60]	34 [47]	30	1330 [1470]	990 [1090]
12	80 [125]	60 [75]	33	1790 [1950]	1340 [1450]
14	125 [155]	90 [115]	36	2325 [2515]	1730 [1870]
16	200 [240]	150 [180]	39	3010 [3210]	2240 [2380]
18	275 [330]	205 [245]	-----	-----	-----

Table 2-1: General Torque Specifications

Hydraulic Fitting Torque Specifications

TORQUE IS SPECIFIED IN FOOT POUNDS- 37° JIC, ORS, & ORB (REV. 10/97)

This chart provides tightening torques for general purpose applications when special torques are not specified on process or drawing. Assembly torques apply to plated nuts and capscrews assembled without supplemental lubrication (as received condition). They do not apply if special graphite moly-disulfide or other extreme pressure lubricants are used. When fasteners are dry (solvent cleaned) add 33% to as received condition torque. Bolt head identification marks indicate grade and may vary from manufacturer to manufacturer. Thick nuts must be used on grade 8 capscrews. Use value in [] if using prevailing torque nuts.

Parker Brand Fittings

Dash Size	37 Degree JIC	O-Ring (ORS)	O-Ring Boss (ORB)
-4	11-13	15-17	13-15
-5	14-16	-----	21-23
-6	20-22	34-36	25-29
-8	43-47	58-62	40-44
-10	55-65	100-110	58-62
-12	80-90	134-146	75-85
-16	115-125	202-218	109-121
-20	160-180	248-272	213-237
-24	185-215	303-327	238-262
-32	250-290	-----	310-340

Gates Brand Fittings

Dash Size	37 Degree JIC	O-Ring (ORS)	O-Ring Boss (ORB)
-4	10-11	10-12	14-16
-5	13-15	-----	-----
-6	17-19	18-20	24-26
-8	34-38	32-40	37-44
-10	50-56	46-56	50-60
-12	70-78	65-80	75-83
-14	-----	65-80	-----
-16	94-104	92-105	111-125
-20	124-138	125-140	133-152
-24	156-173	150-180	156-184
-32	219-243	-----	-----

Aeroquip Brand Fittings

Dash Size	37 Degree JIC	O-Ring (ORS)	O-Ring Boss (ORB)
-4	11-12	10-12	14-16
-5	15-16	-----	16-20
-6	18-20	18-20	24-26
-8	38-42	32-35	50-60
-10	57-62	46-50	75-80
-12	79-87	65-70	125-135
-14	-----	-----	160-180
-16	108-113	92-100	200-220
-20	127-133	125-140	210-280
-24	158-167	150-165	270-360
-32	245-258	-----	-----

Table 2-2: Hydraulic Fitting Torque Specifications

TABLE OF CONTENTS

Model Specifications

9430FH Field Cultivator			
Model Number	9430FH -30	9430FH -32	9430FH -34
Working Width	30'-4"	32'-4"	34'-4"
Transport Width	17'-4"	17'-4"	17'-4"
Transport Height	13'-0"	13'-10"	14'-10"
Number of Shanks	91	97	103
Shanks per Section	26-39-26	29-39-29	32-39-32
Spindle Size	3" Center Frame, 2-1/4" Wings	3" Center Frame, 2-1/4" Wings	3" Center Frame, 2-1/4" Wings
Wheel Bolt Pattern	8 Bolt Wheels Center 6 Bolt Wings & Gauge Wheels	8 Bolt Wheels Center 6 Bolt Wings & Gauge Wheels	8 Bolt Wheels Center 6 Bolt Wings & Gauge Wheels
Estimated Weight			
NOTE: Specifications Are Subject To Change Without Prior Notification			

Tire Inflation			
Tire Size	Tire Manufacturer	Ply/Load Rating	Inflation Pressure (Psi) (Max.)
280/70R15	Firestone	Load Index 134 - 4680 lbs. @ 40 mph	64 psi
320/70R15	Firestone	Load Index 144D - 6150 lbs. @ 40 mph	70 psi

Specific Bolt Torques	
Lug Bolts & Nuts	Torque (FT. LBS.)
Center Frame 5/8-18 Wheel Nuts	85-100 Ft./Lbs.
Wing Frame 9/16-18 Wheel Nuts	80-90 Ft./Lbs.

Shank Placement

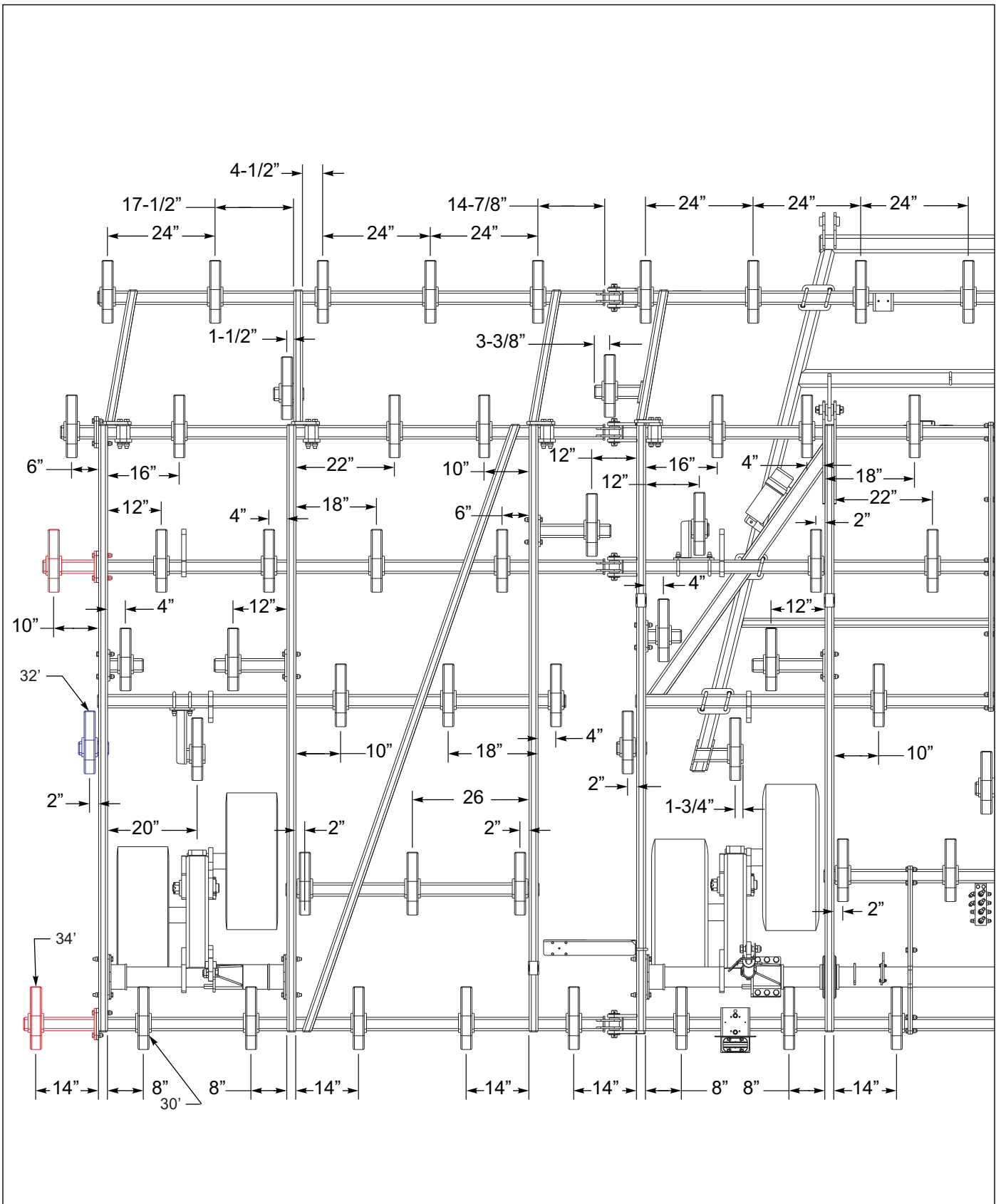


Figure 2-2: Shank Placement 9430FH LH

TABLE OF CONTENTS

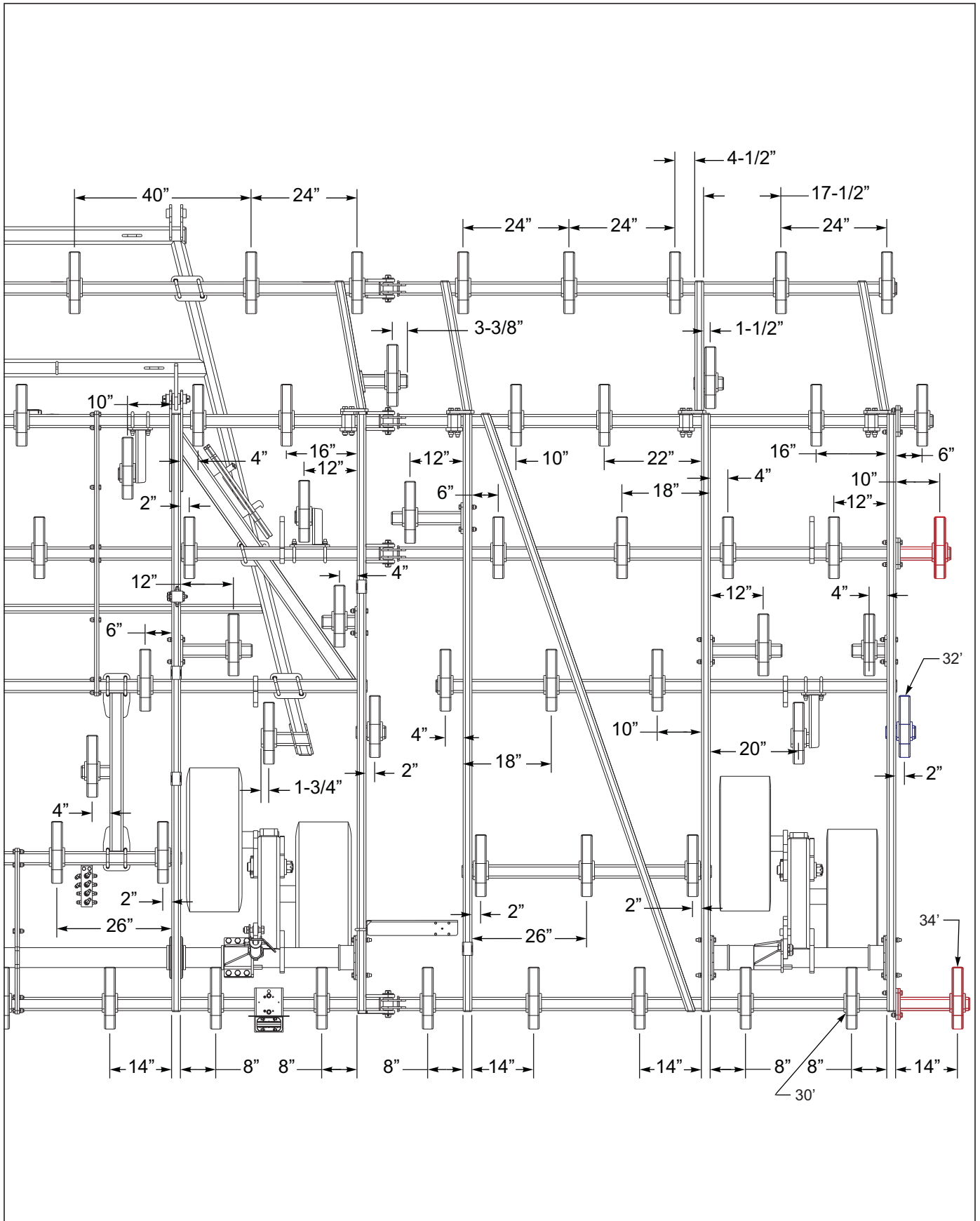


Figure 2-3: Shank Placement 9430FH RH

3 Row Tine and Reel Placement

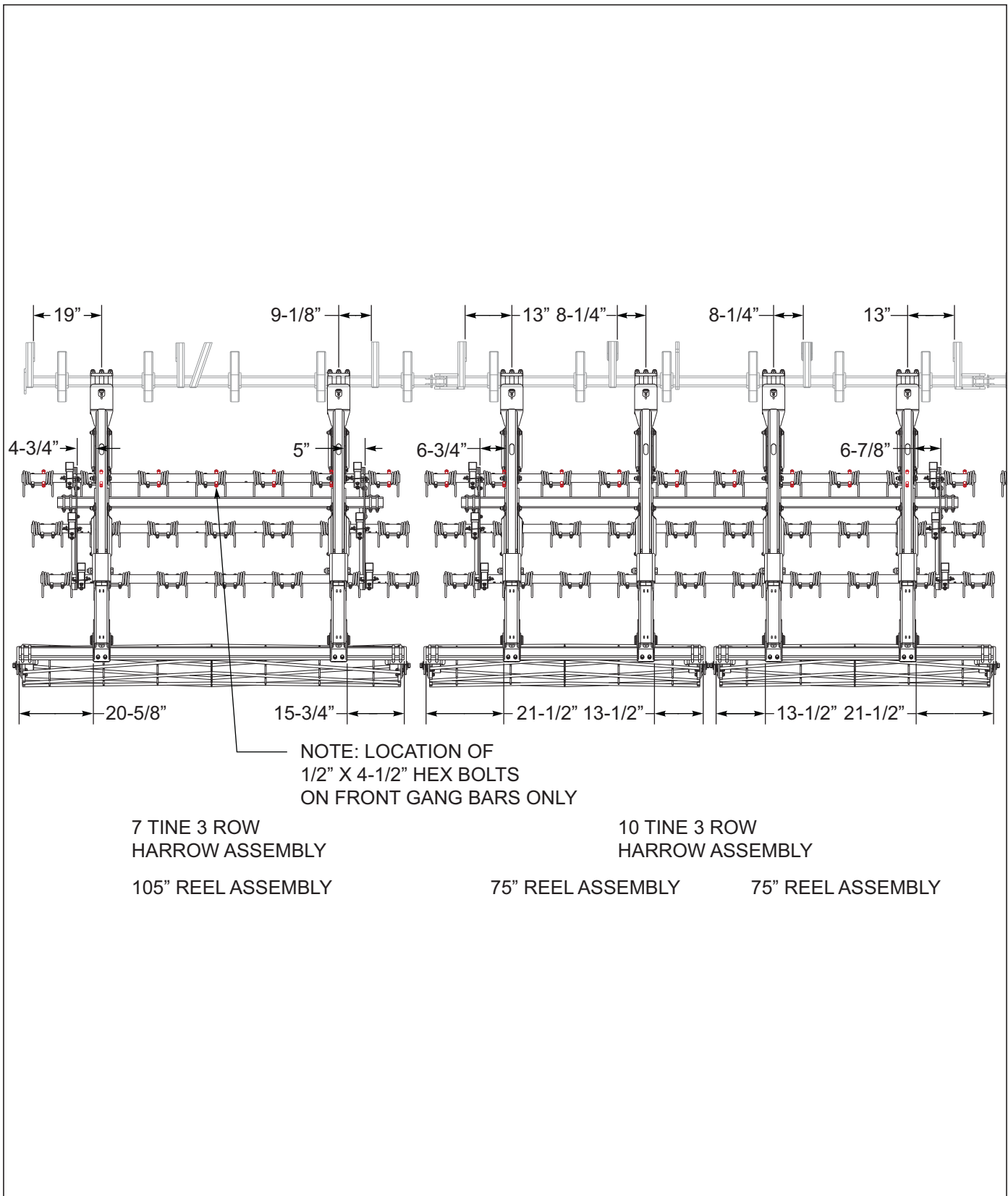


Figure 2-4: 3 Row Tine & Reel Placement 9430FH -30' LH

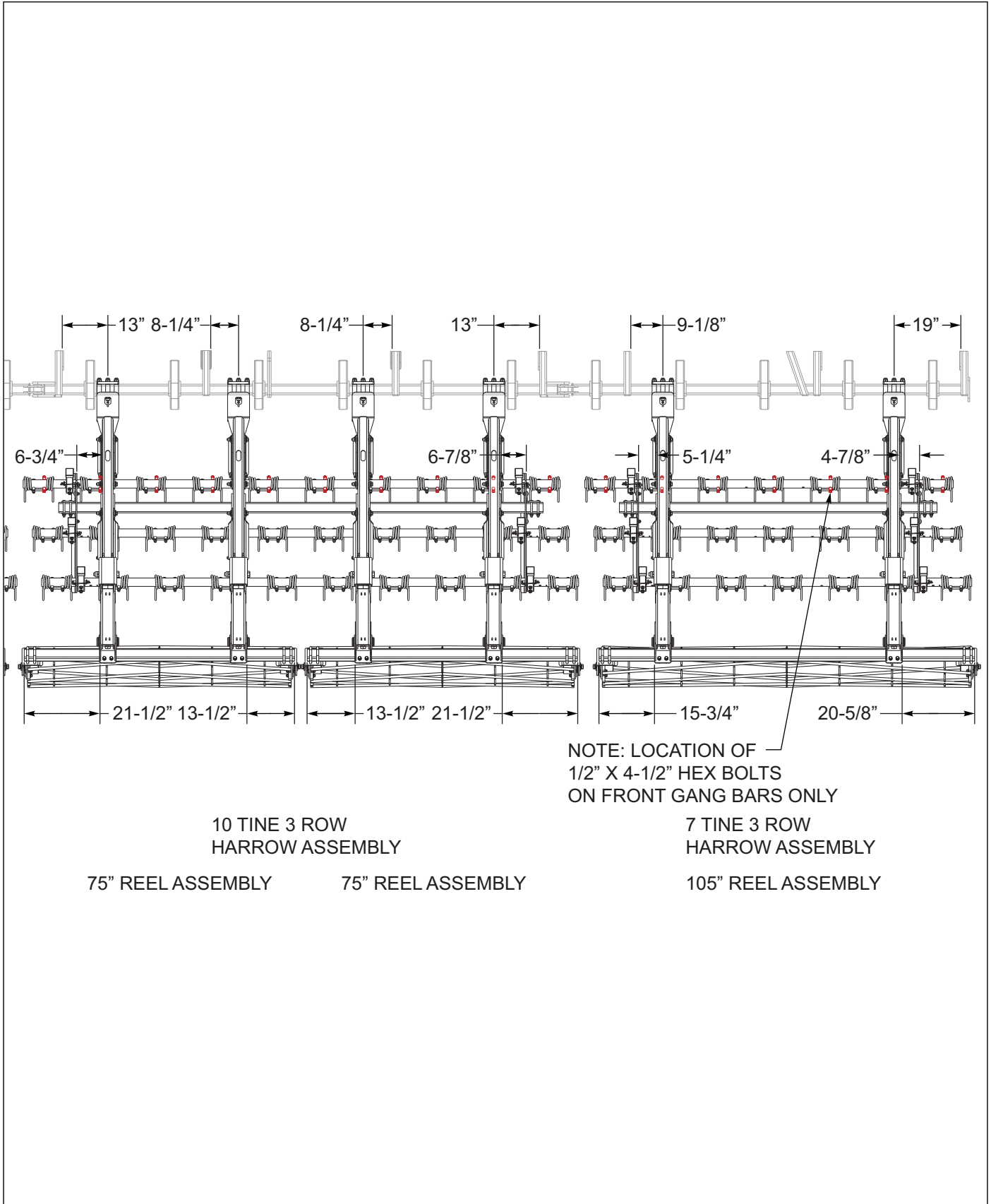


Figure 2-5: 3 Row Tine & Reel Placement 9430FH -30' RH

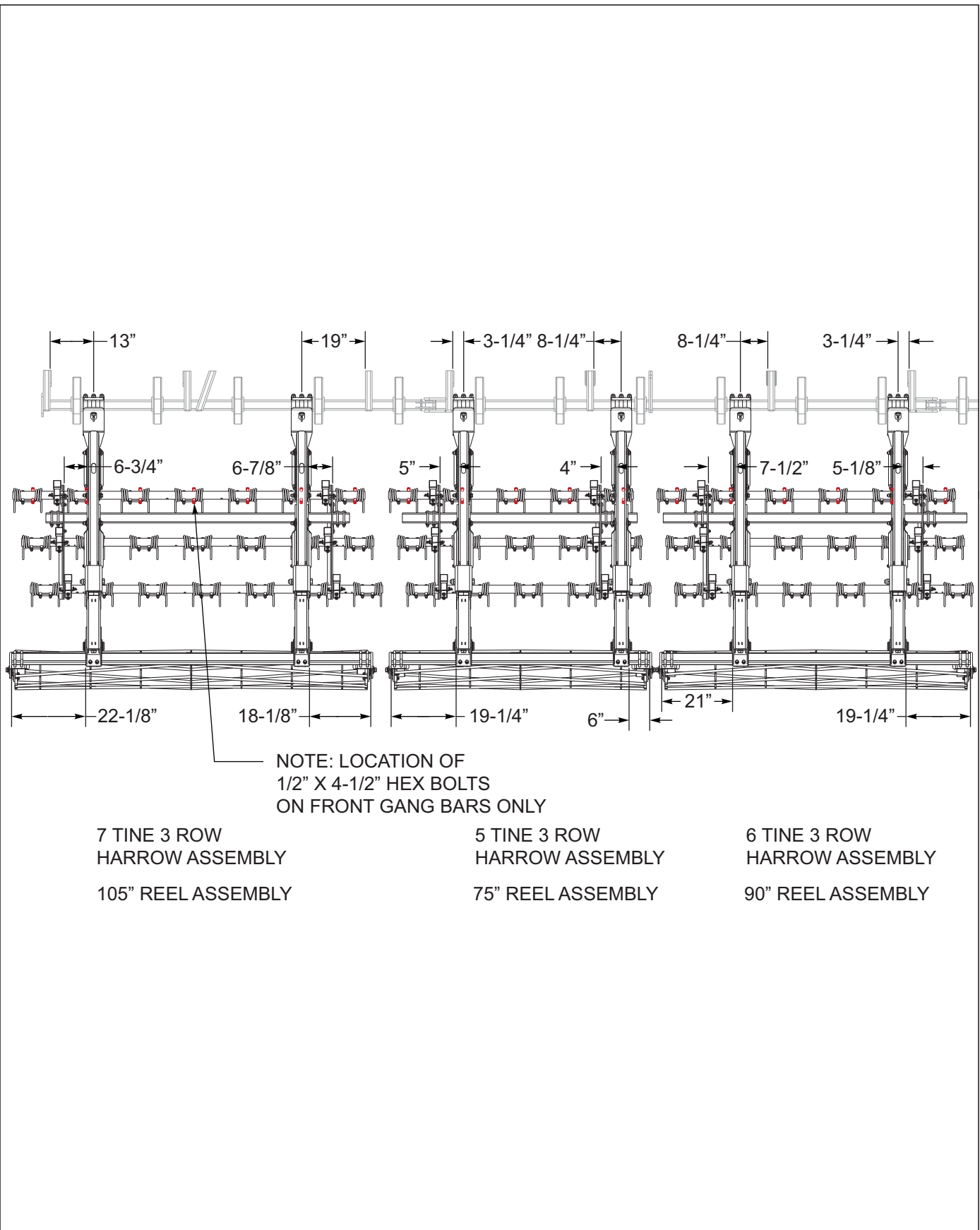


Figure 2-6: 3 Row Tine & Reel Placement 9430FH -32' LH

TABLE OF CONTENTS

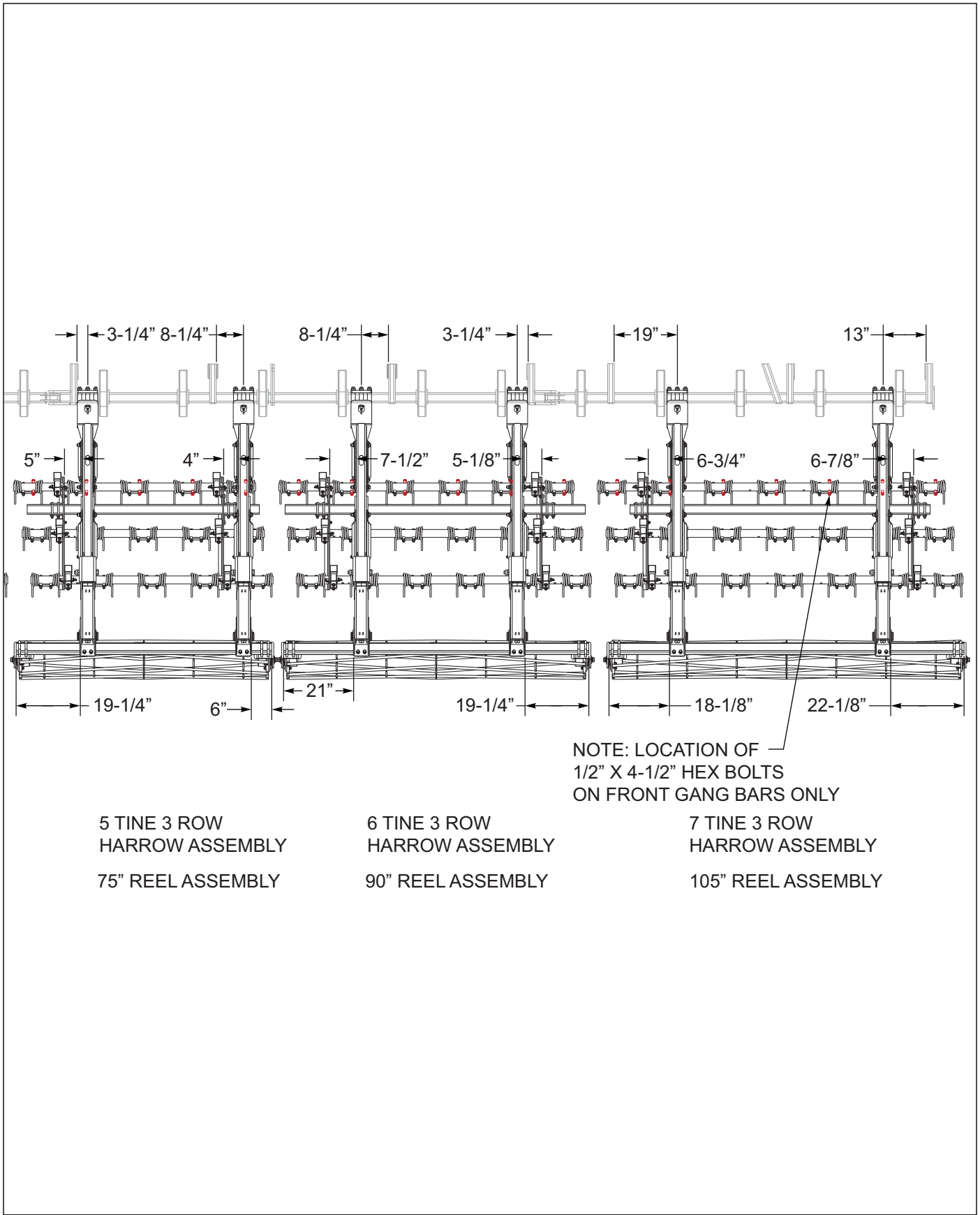


Figure 2-7: 3 Row Tine & Reel Placement 9430FH -32' RH

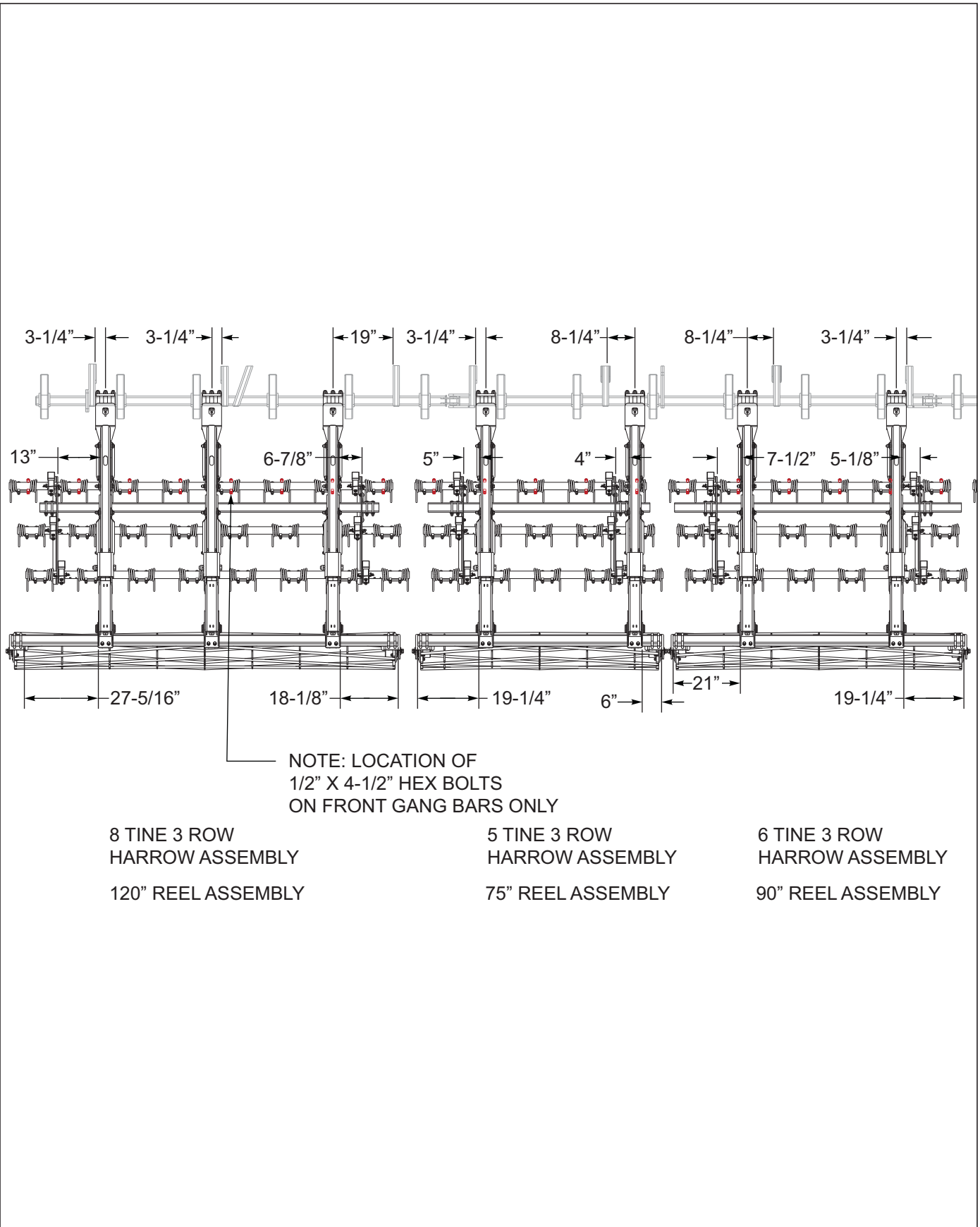


Figure 2-8: 3 Row Tine & Reel Placement 9430FH -34' LH

TABLE OF CONTENTS

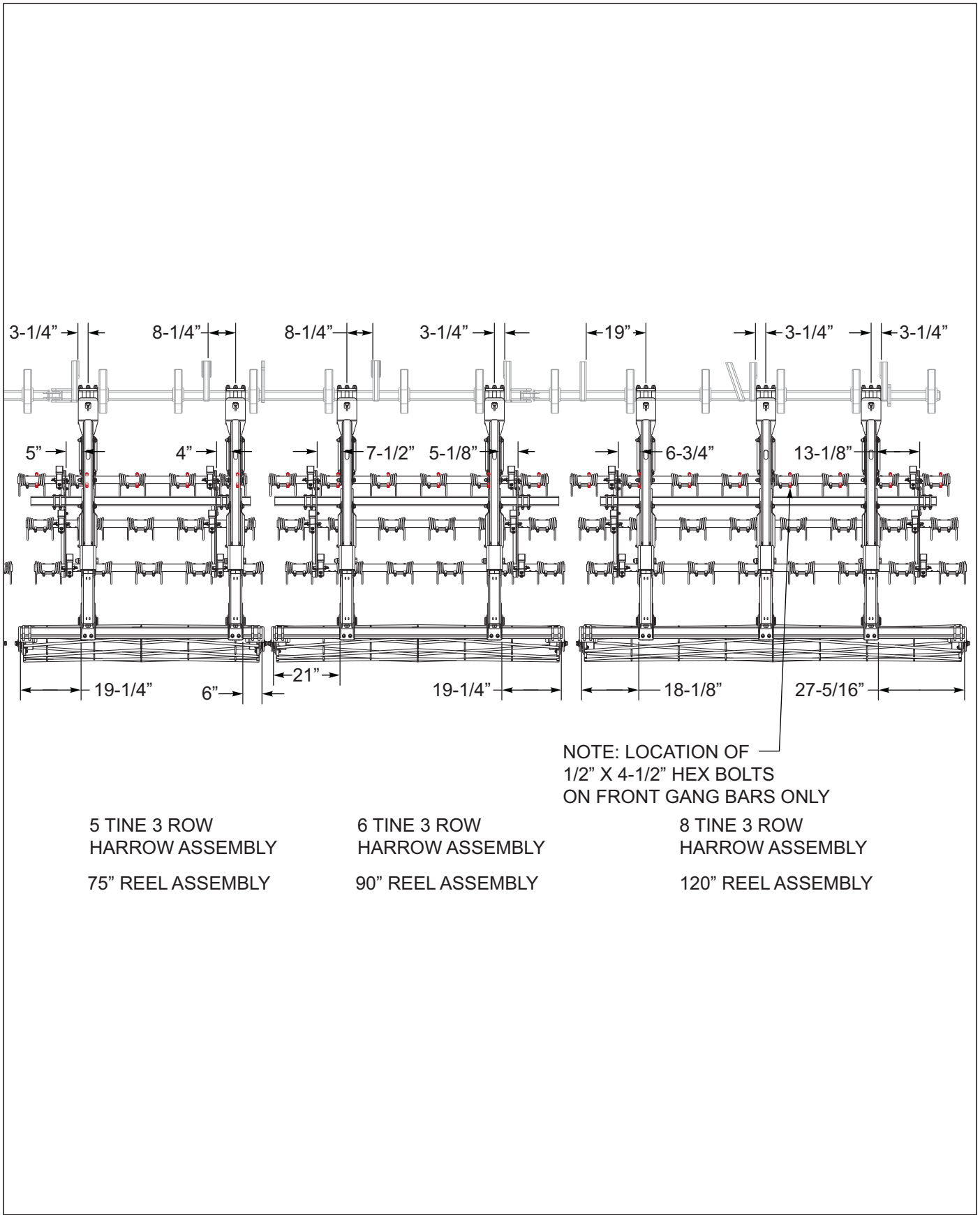


Figure 2-9: 3 Row Tine & Reel Placement 9430FH -34' RH

3 Row Spike and Reel Placement

** DENOTES USE OF
BAR CLAMP W/TABS
(P/N 186200)

NOTE: FOR PROPER SPIKE HARROW PLACEMENT,
BE SURE TO COUNT BOTH ROUND AND SQUARE
SPIKE HOLES.

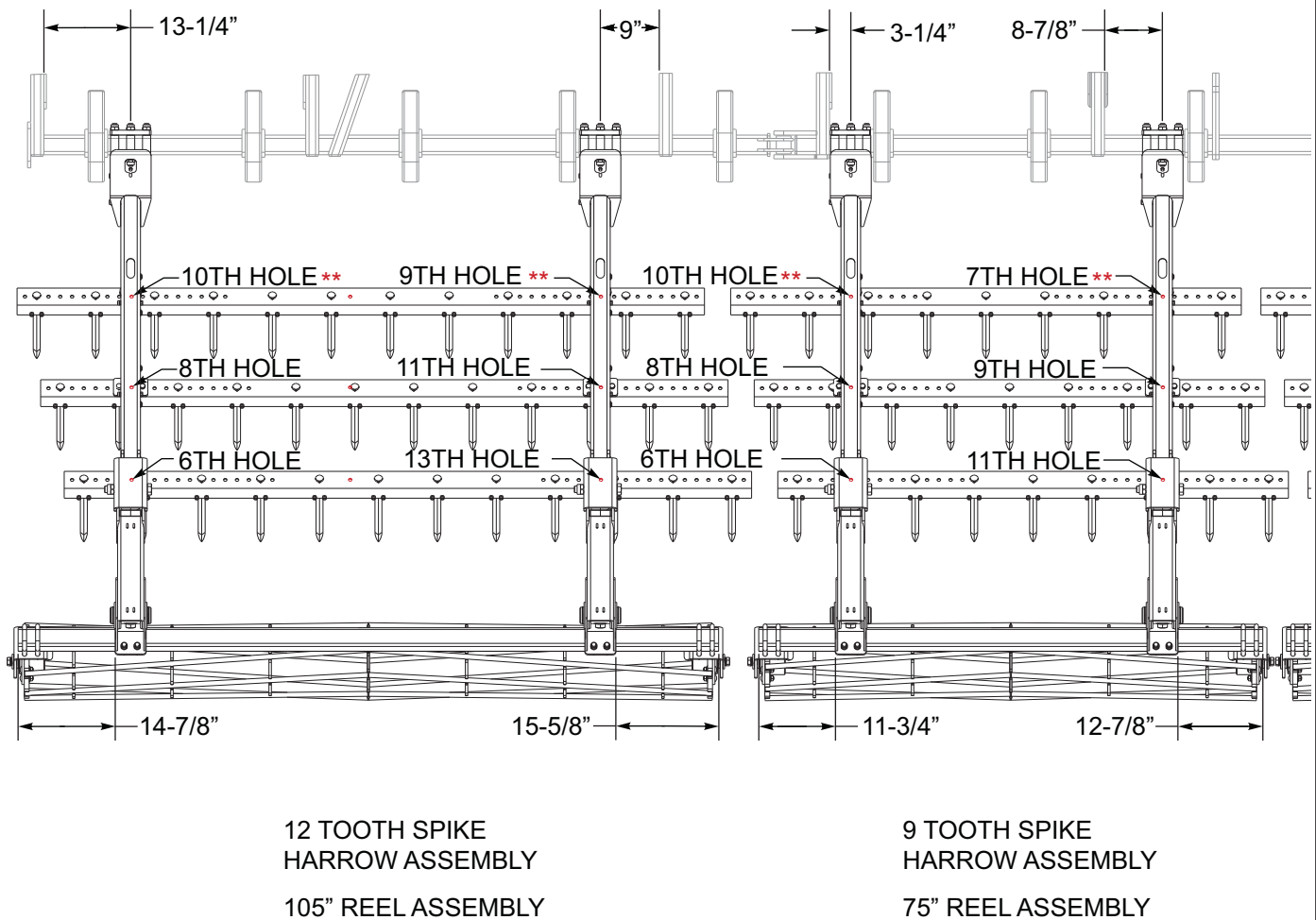
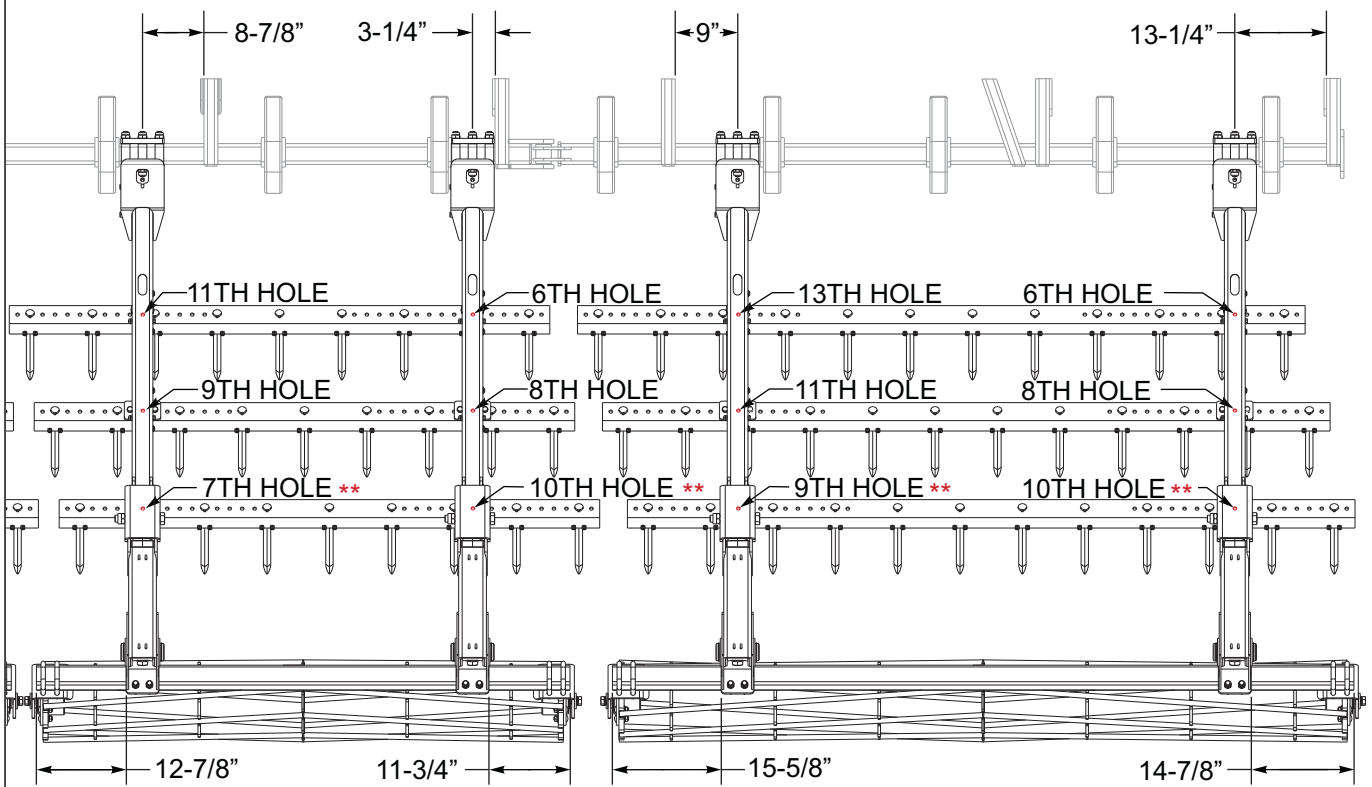


Figure 2-10: 3 Row Spike and Reel Harrow Placement 9430FH -30' LH

TABLE OF CONTENTS

** DENOTES USE OF
BAR CLAMP W/TABS
(P/N 186200)

NOTE: FOR PROPER SPIKE HARROW PLACEMENT.
BE SURE TO COUNT BOTH ROUND AND SQUARE
SPIKE HOLES.



9 TOOTH SPIKE
HARROW ASSEMBLY
75" REEL ASSEMBLY

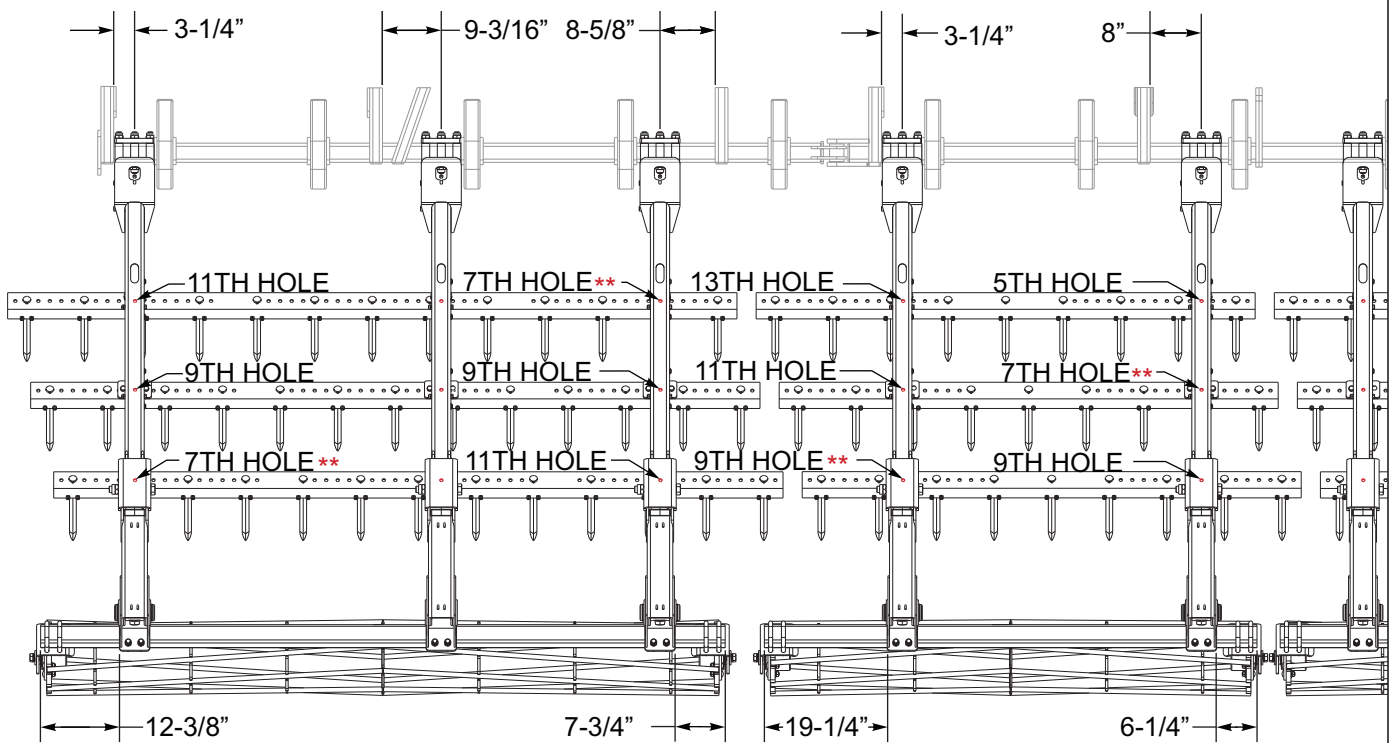
12 TOOTH SPIKE
HARROW ASSEMBLY
105" REEL ASSEMBLY

Figure 2-11: 3 Row Spike and Reel Harrow Placement 9430FH -30' RH

TABLE OF CONTENTS

** DENOTES USE OF
BAR CLAMP W/TABS
(P/N 186200)

NOTE: FOR PROPER SPIKE HARROW PLACEMENT,
BE SURE TO COUNT BOTH ROUND AND SQUARE
SPIKE HOLES.



13 TOOTH SPIKE
HARROW ASSEMBLY
105" REEL ASSEMBLY

9 TOOTH SPIKE
HARROW ASSEMBLY
75" REEL ASSEMBLY

Figure 2-12: 3 Row Spike and Reel Harrow Placement 9430FH -32' LH

TABLE OF CONTENTS

** DENOTES USE OF
BAR CLAMP W/TABS
(P/N 186200)

NOTE: FOR PROPER SPIKE HARROW PLACEMENT,
BE SURE TO COUNT BOTH ROUND AND SQUARE
SPIKE HOLES.

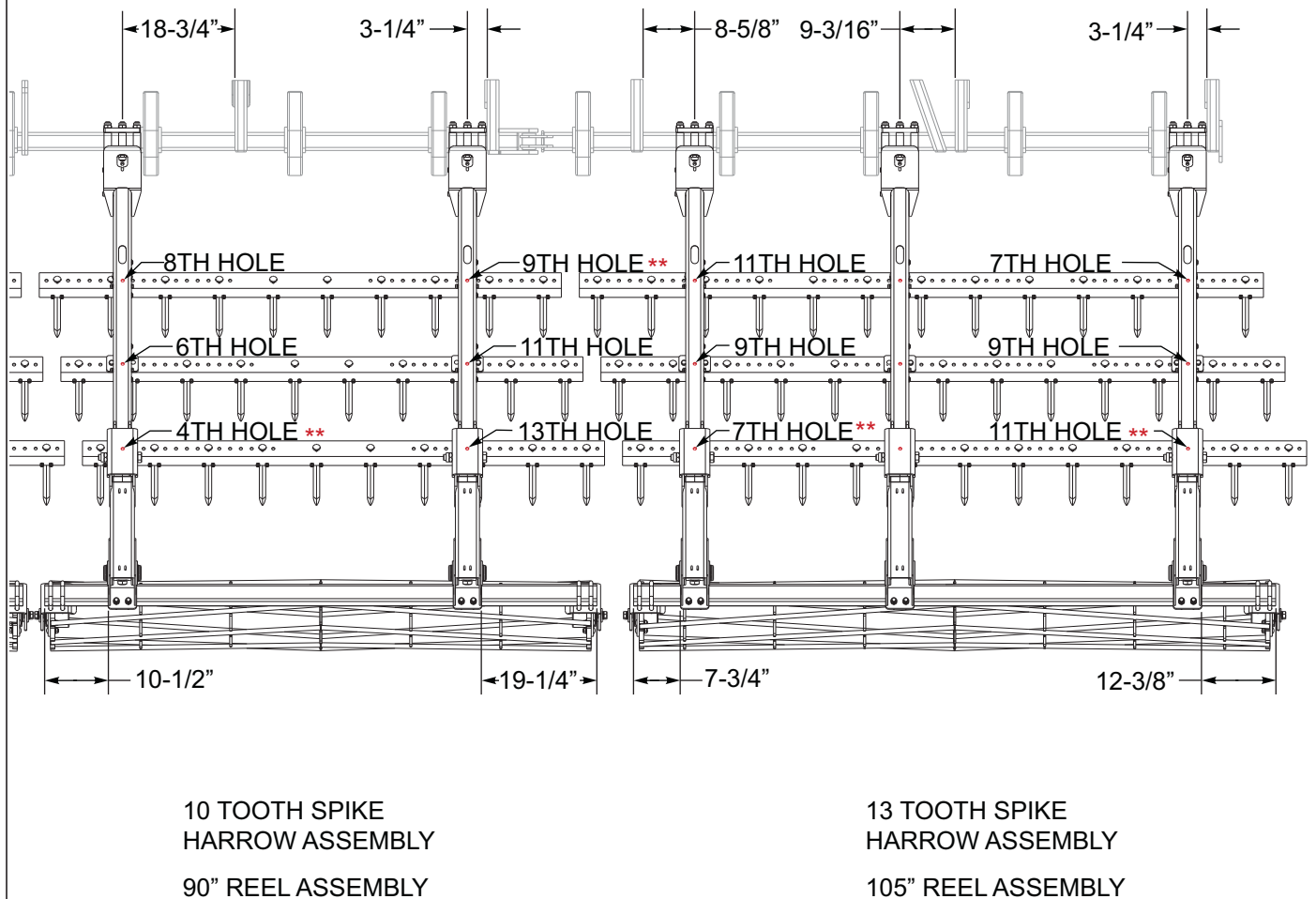
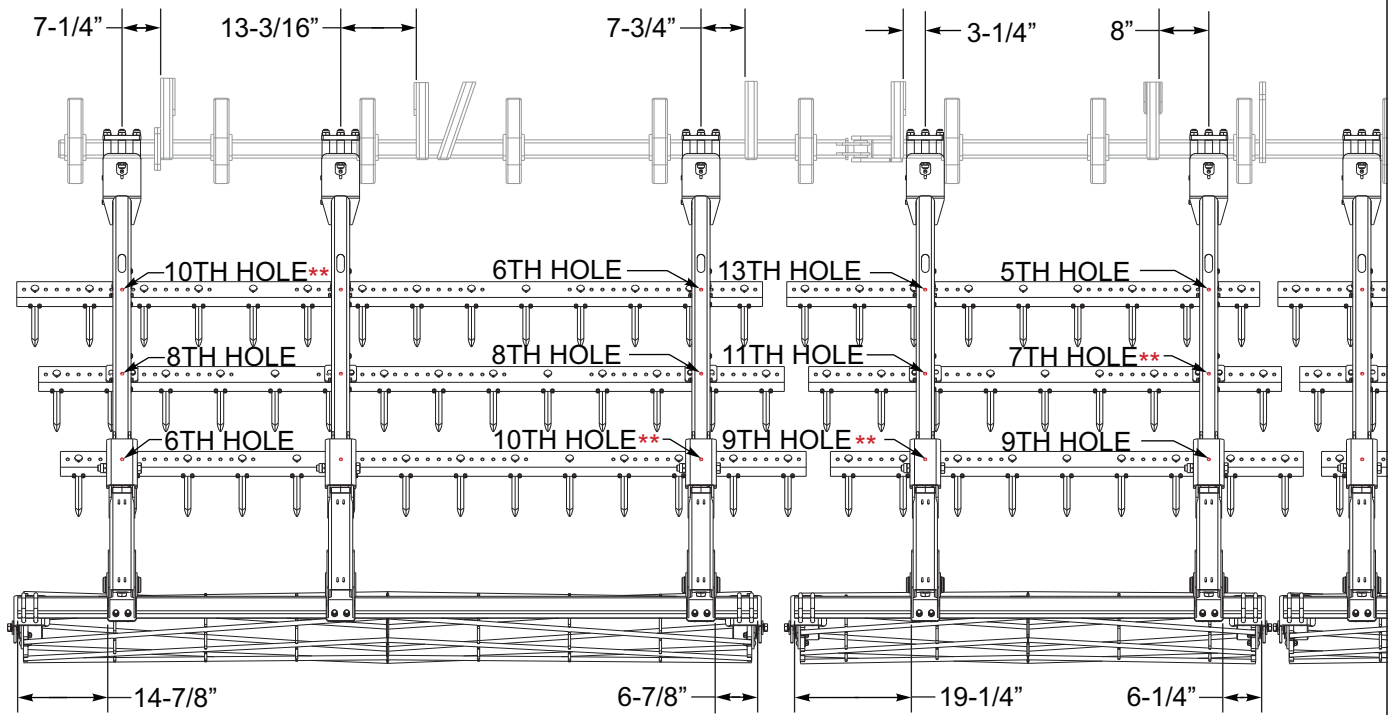


Figure 2-13: 3 Row Spike and Reel Harrow Placement 9430FH -32' RH

TABLE OF CONTENTS

** DENOTES USE OF
BAR CLAMP W/TABS
(P/N 186200)

NOTE: FOR PROPER SPIKE HARROW PLACEMENT,
BE SURE TO COUNT BOTH ROUND AND SQUARE
SPIKE HOLES.



14 TOOTH SPIKE
HARROW ASSEMBLY
120" REEL ASSEMBLY

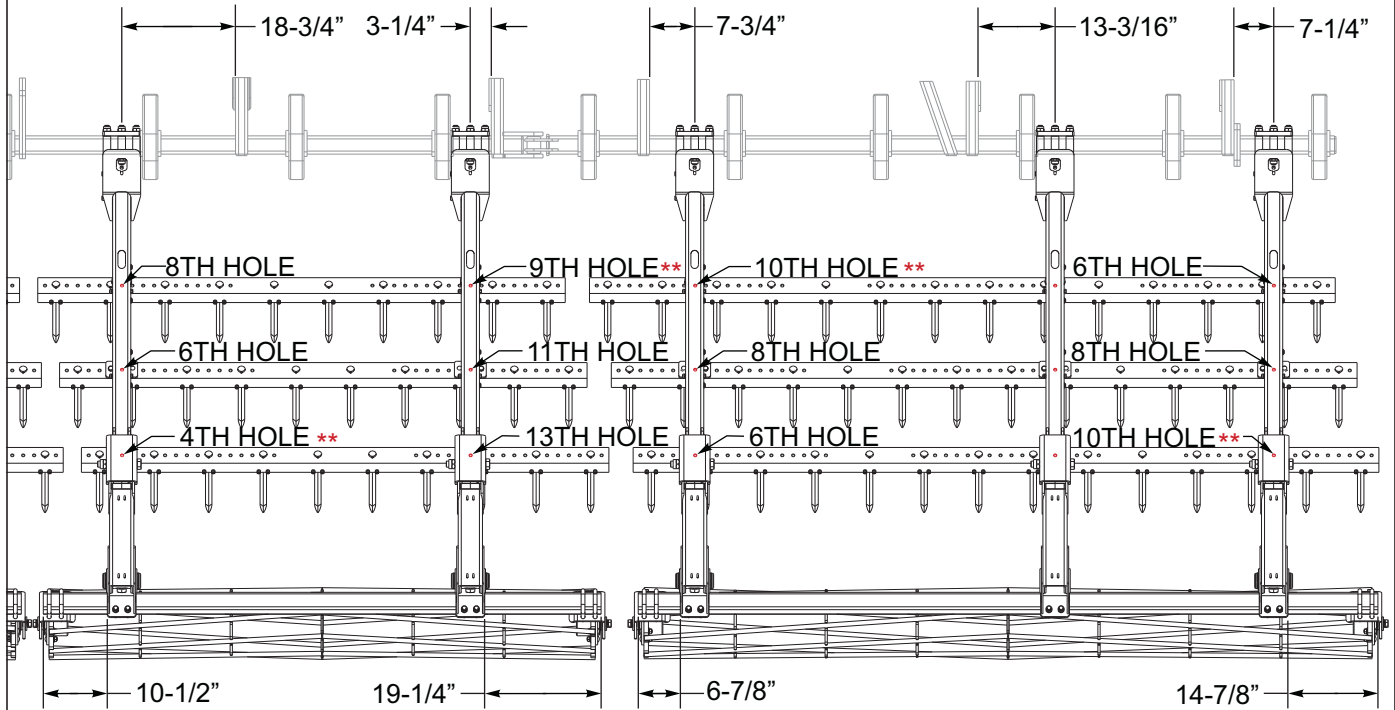
9 TOOTH SPIKE
HARROW ASSEMBLY
75" REEL ASSEMBLY

Figure 2-14: 3 Row Spike and Reel Harrow Placement 9430FH -34' LH

TABLE OF CONTENTS

** DENOTES USE OF
BAR CLAMP W/TABS
(P/N 186200)

NOTE: FOR PROPER SPIKE HARROW PLACEMENT,
BE SURE TO COUNT BOTH ROUND AND SQUARE
SPIKE HOLES.



10 TOOTH SPIKE
HARROW ASSEMBLY
90" REEL ASSEMBLY

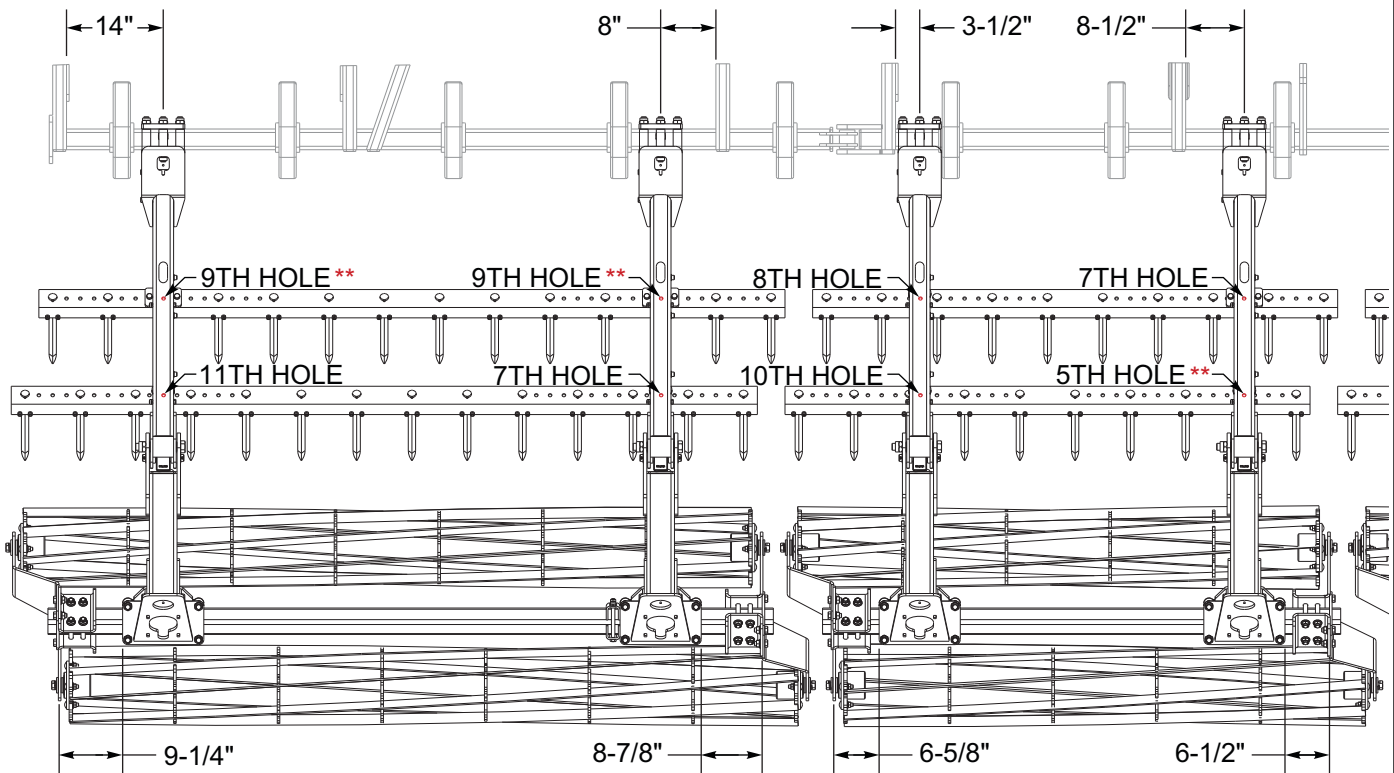
14 TOOTH SPIKE
HARROW ASSEMBLY
120" REEL ASSEMBLY

Figure 2-15: 3 Row Spike and Reel Harrow Placement 9430FH -34' RH

2RS DBL Flat Reel Placement

** DENOTES USE OF
BAR CLAMP W/TABS
(P/N 186200)

NOTE: FOR PROPER SPIKE HARROW PLACEMENT,
BE SURE TO COUNT BOTH ROUND AND SQUARE
SPIKE HOLES.



14 TOOTH 8SP SPIKE
BAR ASSEMBLY

105\"/>

10 TOOTH 8SP SPIKE
BAR ASSEMBLY

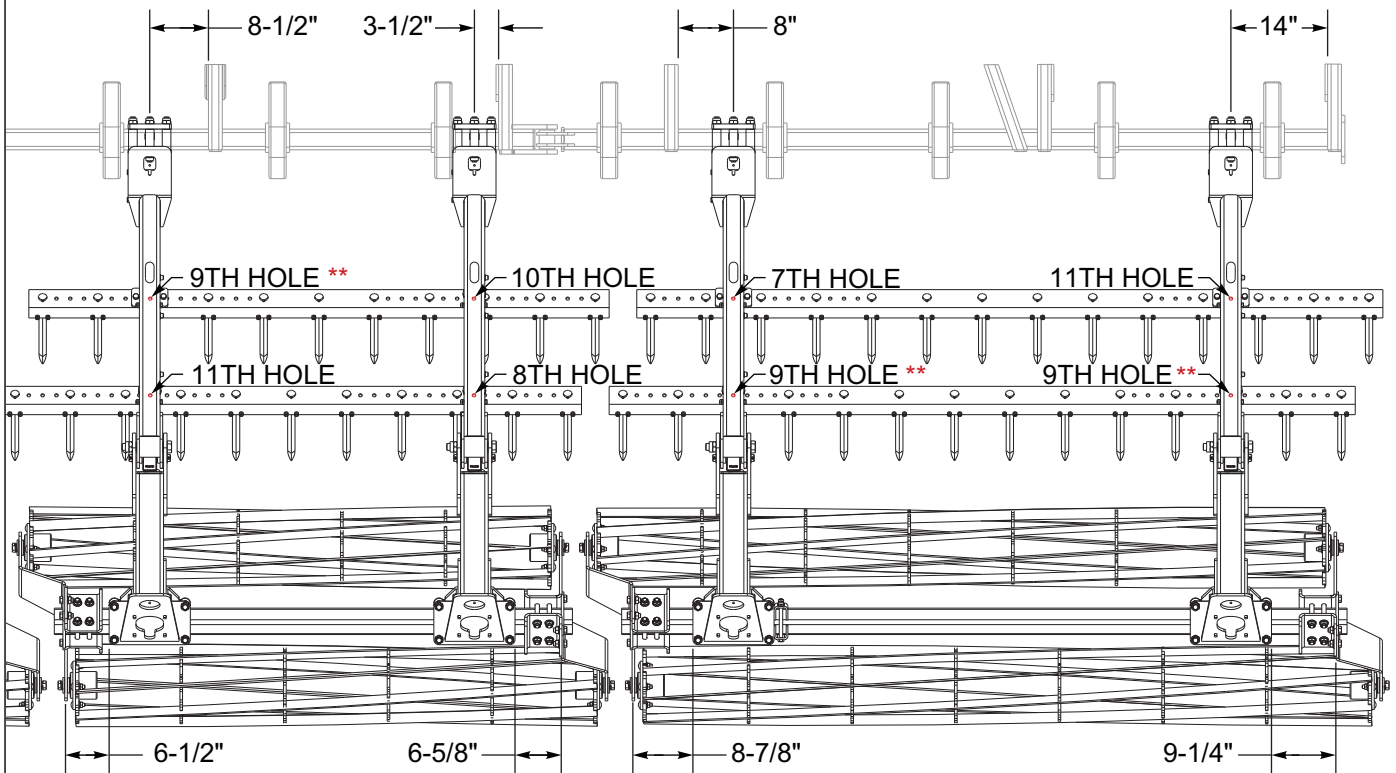
75\"/>

Figure 2-16: 2RS DBL Flat Reel Placement 9430FH -30' LH

TABLE OF CONTENTS

** DENOTES USE OF
BAR CLAMP W/TABS
(P/N 186200)

NOTE: FOR PROPER SPIKE HARROW PLACEMENT.
BE SURE TO COUNT BOTH ROUND AND SQUARE
SPIKE HOLES.



11 TOOTH 8SP SPIKE
BAR ASSEMBLY

75"/75" DOUBLE
FLAT REEL ASSEMBLY

14 TOOTH 8SP SPIKE
BAR ASSEMBLY

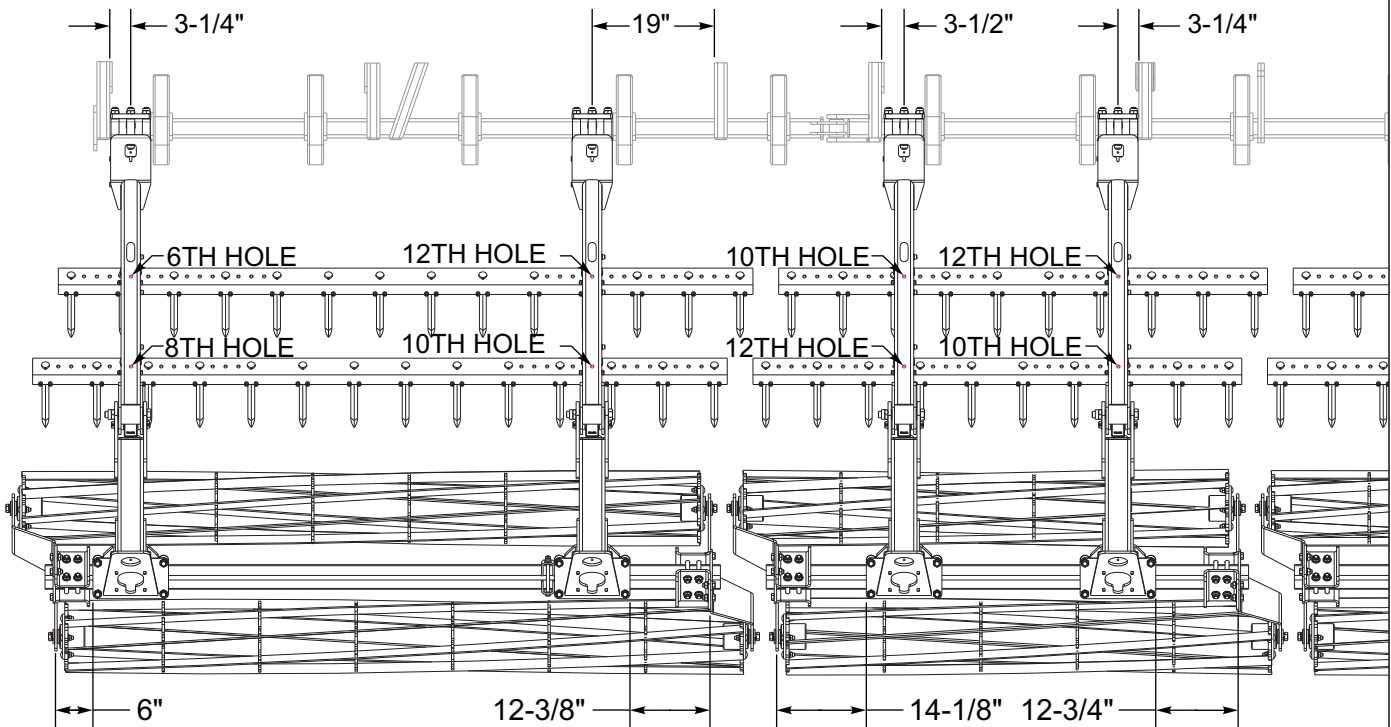
105"/105" DOUBLE
FLAT REEL ASSEMBLY

Figure 2-17: 2RS DBL Flat Reel Placement 9430FH -30' RH

TABLE OF CONTENTS

** DENOTES USE OF
BAR CLAMP W/TABS
(P/N 186200)

NOTE: FOR PROPER SPIKE HARROW PLACEMENT,
BE SURE TO COUNT BOTH ROUND AND SQUARE
SPIKE HOLES.



14 TOOTH 8SP SPIKE
BAR ASSEMBLY

105"/105" DOUBLE
FLAT REEL ASSEMBLY

10 TOOTH 8SP SPIKE
BAR ASSEMBLY

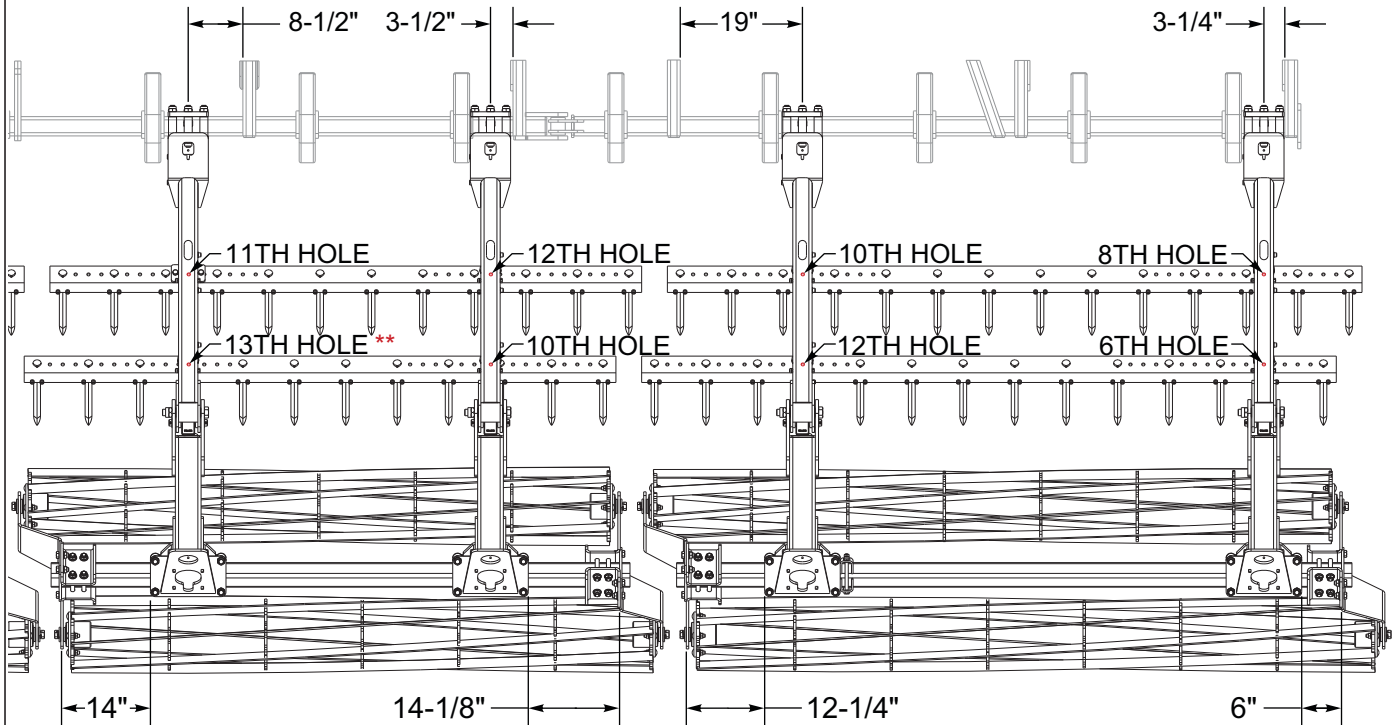
75"/75" DOUBLE
FLAT REEL ASSEMBLY

Figure 2-18: 2RS DBL Flat Reel Placement 9430FH -32' LH

TABLE OF CONTENTS

** DENOTES USE OF
BAR CLAMP W/TABS
(P/N 186200)

NOTE: FOR PROPER SPIKE HARROW PLACEMENT.
BE SURE TO COUNT BOTH ROUND AND SQUARE
SPIKE HOLES.



12 TOOTH 8SP SPIKE
BAR ASSEMBLY
90"/90" DOUBLE
FLAT REEL ASSEMBLY

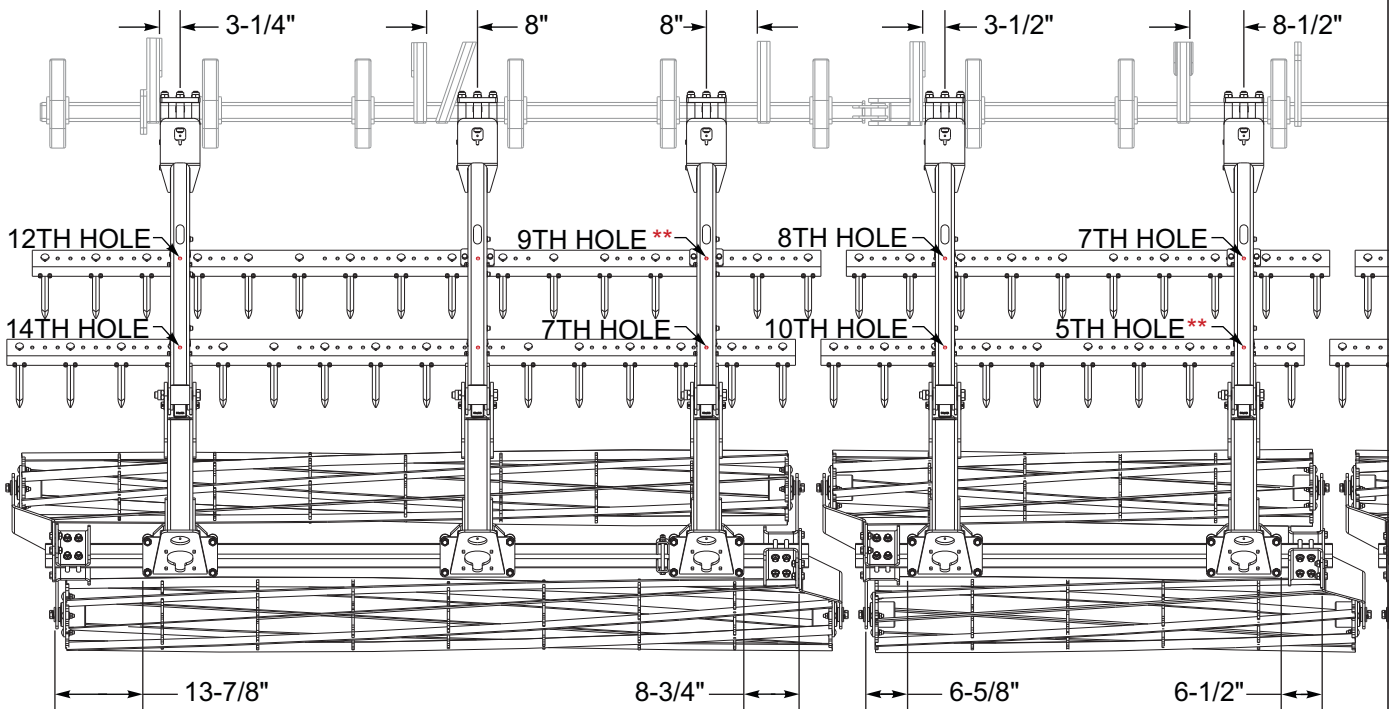
14 TOOTH 8SP SPIKE
BAR ASSEMBLY
105"/105" DOUBLE
FLAT REEL ASSEMBLY

Figure 2-19: 2RS DBL Flat Reel Placement 9430FH -32' RH

TABLE OF CONTENTS

** DENOTES USE OF
BAR CLAMP W/TABS
(P/N 186200)

NOTE: FOR PROPER SPIKE HARROW PLACEMENT.
BE SURE TO COUNT BOTH ROUND AND SQUARE
SPIKE HOLES.



16 TOOTH 8SP SPIKE
BAR ASSEMBLY
120"/120" DOUBLE
FLAT REEL ASSEMBLY

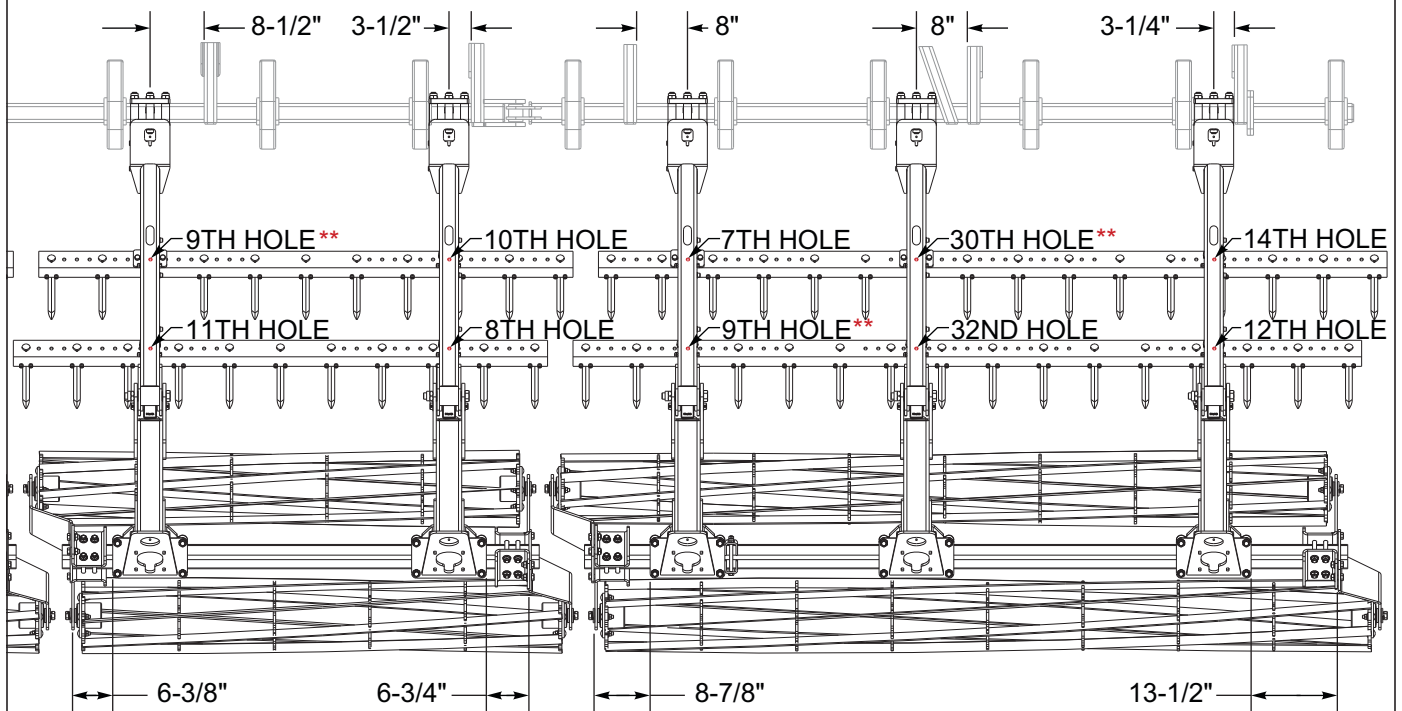
10 TOOTH 8SP SPIKE
BAR ASSEMBLY
75"/75" DOUBLE
FLAT REEL ASSEMBLY

Figure 2-20: 2RS DBL Flat Reel Placement 9430FH -34' LH

TABLE OF CONTENTS

** DENOTES USE OF
BAR CLAMP W/TABS
(P/N 186200)

NOTE: FOR PROPER SPIKE HARROW PLACEMENT.
BE SURE TO COUNT BOTH ROUND AND SQUARE
SPIKE HOLES.



11 TOOTH 8SP SPIKE
BAR ASSEMBLY

75"/75" DOUBLE
FLAT REEL ASSEMBLY

16 TOOTH 8SP SPIKE
BAR ASSEMBLY

120"/120" DOUBLE
FLAT REEL ASSEMBLY

Figure 2-21: 2RS DBL Flat Reel Placement 9430FH -34' RH

Assembly Instructions

It is very important that your new 9430FH Field Cultivator be properly assembled, adjusted and lubricated before use. Illustrations in this section show proper assembly procedures. Remove paint from grease fittings. Replace any grease fittings that are damaged or missing. Be sure to return screws, clips, etc., to their original locations.

To insure alignment of assemblies, **leave the nuts loose until completion** of final assembly. Use lock washers or flat washers as specified. Spread all cotter pins.

After completion of final assembly, **tighten all nuts evenly** to prevent misalignment, distortion or binding. Tighten all screws and nuts to the recommended torques shown in [Table 2-1](#) and [Table 2-2](#).



WARNING

Do not attempt to lift heavy parts (such as the frame, rock shaft, and pull hitch) manually. Use a hoist or a forklift to move these parts into position.



DANGER

To prevent accidental lowering:

- 1. All hydraulically elevated equipment must be locked out using the cylinder lockouts.**
- 2. Lower equipment to the ground while servicing or when it is idle.**

Failure to take measures to prevent accidental lowering may result in serious personal injury or death.



CAUTION

Be sure to bleed the hydraulic system of all air in lines after installation. Failure to bleed the system of all air can result in permanent equipment damage.

Center Frame Assembly

IMPORTANT

Read all safety precautions at the front of the section before attempting any of the following procedures.



WARNING

Do not attempt to lift heavy parts (such as the frame and rock shaft) manually. Use a hoist or a fork lift to move these parts into position.

1. Bolt the two center frame halves together using 5/8 x 2 bolts and lock nuts *See Figure 3-1*.
2. Now place the frame assemblies on stands 36" off the ground.
3. Attach the center frame extension to the front of the LH and RH center frame assemblies with 5/8" thick spacer, frame ext clamp, 3/4 x 6 bolts and 3/4 locknuts.
4. Install the spring clamp, tine clamp, with 5/8 x 5-1/2 bolt and 5/8 lock nut to the frame extension that were not installed at factory, *See Figures 2-2* through *See Figures 2-3* for shank placement.
5. Install a UHMW bearing between both inner bearing locators around the center lift assembly.
6. Insert a UHMW bearing into each bearing cap and install the cap and bearing over the end of center lift assembly.
7. Raise the center lift assembly into the center frame and attach each end bearing cap to the center frame with 5/8 x 4 bolts and lock nuts
8. Install the two inner lift bearing mounts with 5/8 x 2 bolts and lock nuts.
10. Attach the bottom end of the cylinder lift arms to the outer side of bearing housing mounts with 1 x 2-3/4 bolts and 1 lock nuts.
11. Connect the top end of the cylinder lift arms to the radius rod and hose mounts with 1 x 4 bolts and lock nuts. Initially, set the radius rod to 54" pin centers for the center frame.
12. Install the two 4x10 master cylinders to the cylinder lift arms, and the center lift. Install the cylinders with the rod end down, and with rephasing cap to the top. Use a 1" welded head pin, 1" machine bushing on cotter pin on the rod end of the cylinder. Insert the pin so the head will be facing the tire. Install the transport locks in the storage locations on back of the lift cylinder plates with L-pins and hairpin clips.
13. Connect the rear of the gauge wheel lift tubes to the center lift with 1-1/4 x 2-3/4 step pin, 1/2 x 2-1/4 roll pin, and 1 locknut. Insert the pin so the nut is away from the lift cylinder.
14. All lifts and hubs/spindle come already assembled from the factory.
15. Install the tire/wheel assemblies to all hub/spindle assemblies using 5/8 wheel nuts.
16. Install the 8 port manifold to 2 hole plate toward front of center frame assembly RH with 1/2 x 3-1/2 bolts and 1/2 lock nuts *See Figure 3-1*.
17. Install the lift/fold manifold assembly on 2 hole plate on rear of center frame tube using 1/2 x 4-1/2 bolts, spacers and 1/2 lock nuts *See Figure 3-1*.

NOTE

Make sure the center lift will rotate freely in the center frame after it is assembled.

9. Attach the depth control mount to the left inner mount plate on the center lift axle using 3/8 x 1-1/4 bolts and 3/8 lock nuts.

TABLE OF CONTENTS

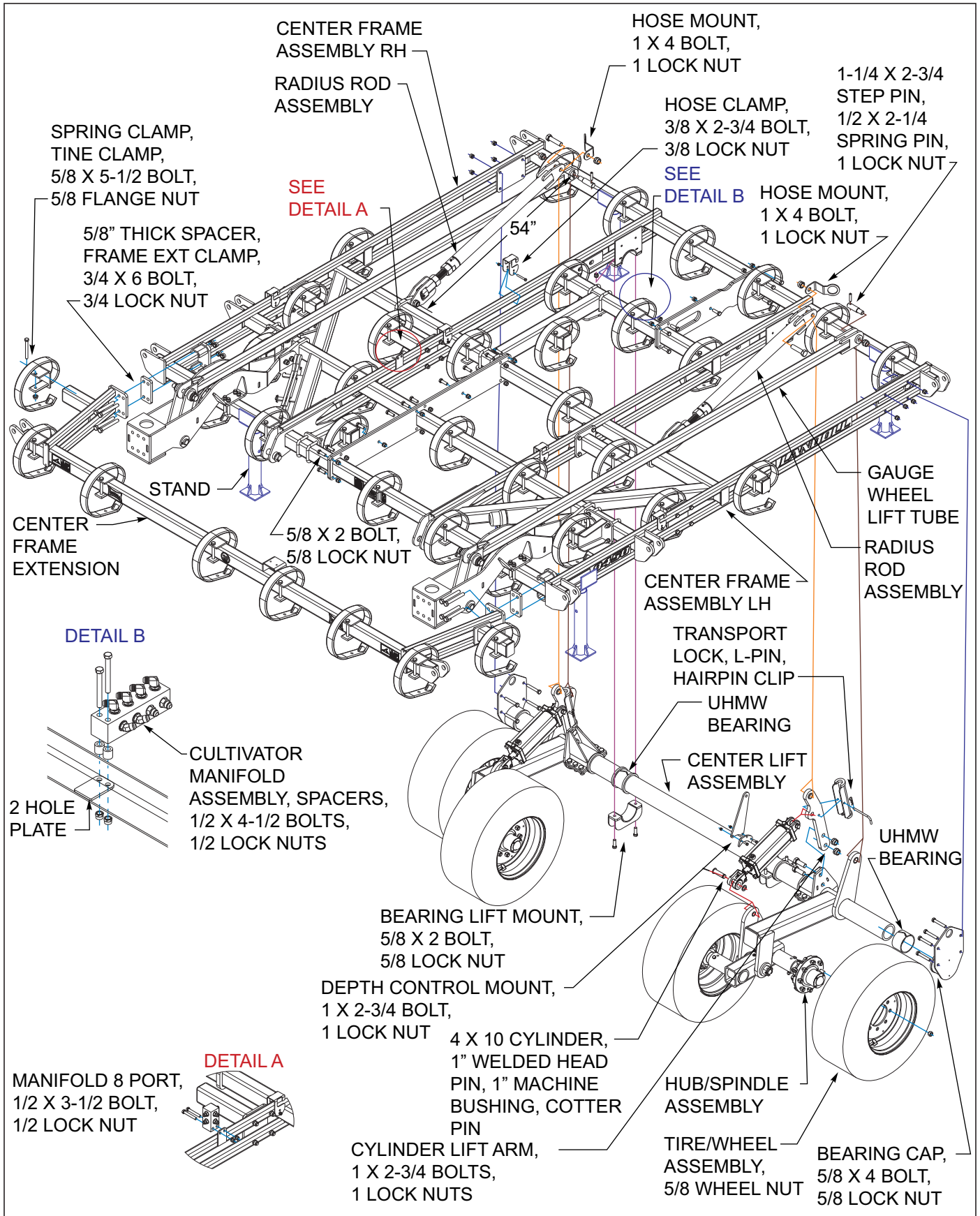


Figure 3-1: Center Frame Assembly

Center Frame Fold, Hitch Extension, Depth Control Assembly

IMPORTANT

Read all safety precautions at the front of the section before attempting any of the following procedures.



WARNING

Do not attempt to lift heavy parts (such as the frame and rock shaft) manually. Use a hoist or a fork lift to move these parts into position.

1. Attach the hitch extension to bottom side of frame assemblies with 5/8 x 3-11/16 x 5-1/2 u-bolts and lock nuts *See Figures 3-3*. Attach hitch extension ears to front of center frame with 1-7/16 pins, machine bushings and 5/16 x 2-1/2 spring pins.
2. Attach the front & rear fold cylinder mounts to the top of the center frame using 5/8 x 3-11/16 x 5-1/2 u-bolts and lock nuts.
3. Assemble the hydraulic fittings to the depth control valve. Install a 90° elbow in the right side of the valve, and a hex socket plug in the left side of the valve. Install an o-ring to tube adapter in the valve opposite the plunger.

4. Align holes of the depth valve with plunger to front of machine to holes of bracket on the frame extension. Use the depth valve mounting holes closet to the plunger when mounting. Insert the slide plate, clamp plate, depth stop tube assembly and slide pad mount in orientation shown *See Figure 3-3*, Detail A, secure with 5/16 x 5-1/2 bolts and 5/16 lock nuts.
5. Attach the rear of the tube assembly to the depth control mount on the top of the center lift assembly using a 5/8 x 2-1/2 bolt and lock nut. Do not over-tighten this bolt as the tube must pivot freely on the depth control mount.
6. Using 5/8 x 3-11/16 x 5-1/2 u-bolts and lock nuts, attach the wing stabilizer to the top of the center frame. Center the stabilizer side-to-side on the frame assemblies.

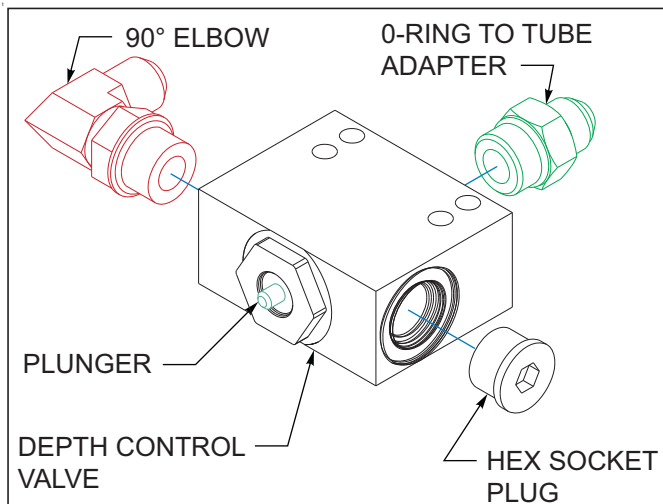


Figure 3-2: Depth Valve Fitting Installation

TABLE OF CONTENTS

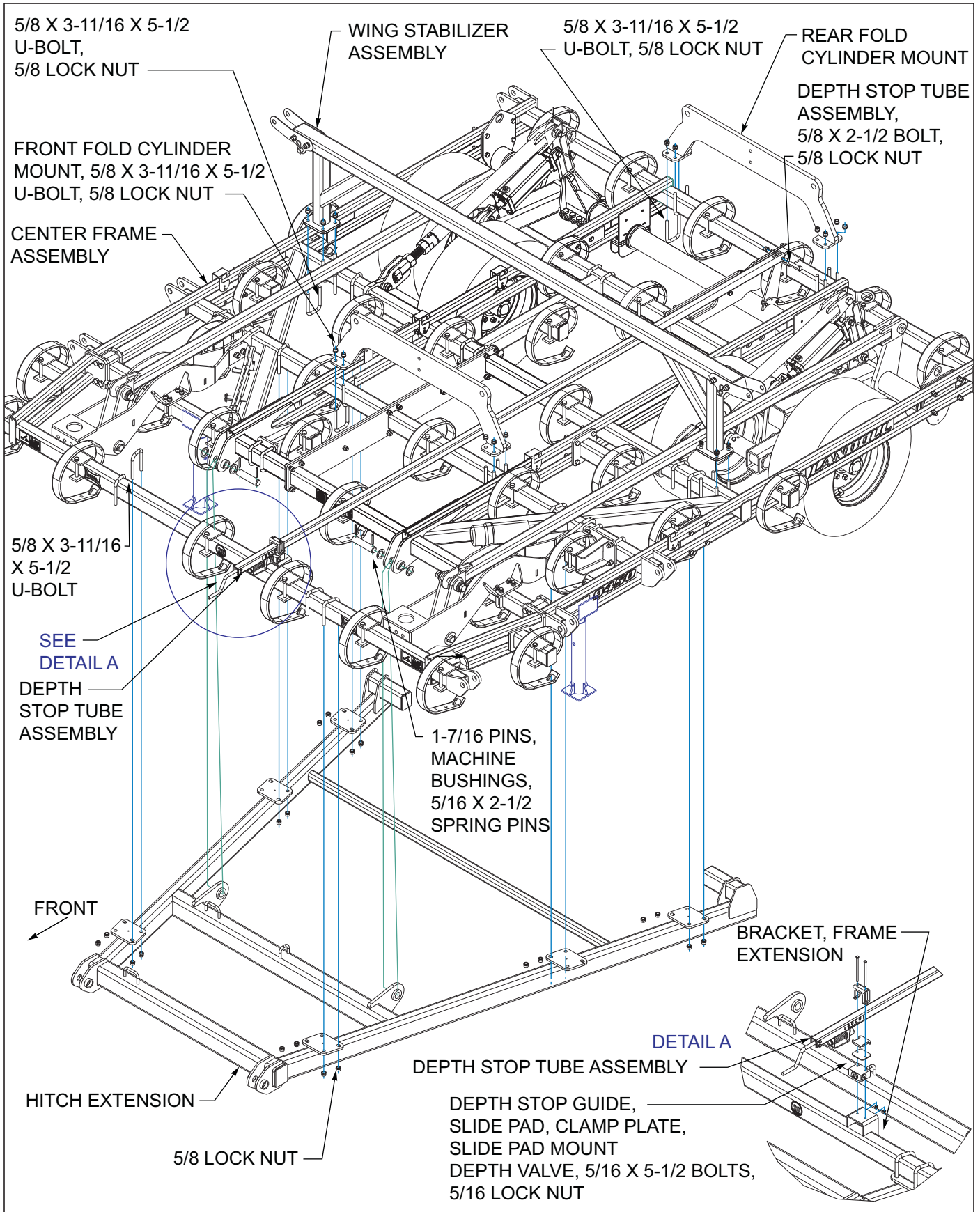


Figure 3-3: Center Frame Fold & Depth Control Assembly

Hitch Assembly

IMPORTANT

Read all safety precautions at the front of the section before attempting any of the following procedures.



WARNING

Do not attempt to lift heavy parts (such as the pull hitch) manually. Use a hoist or a fork lift to move these parts into position.

1. Connect hitch assembly to the front of the hitch extension using 1-7/16 X 6-1/4 hitch pins, machine bushings, and 5/16 x 2-1/2 slotted spring pins **See Figure 3-4.**
2. Install the tongue jack in the forward mounting tube and rotate to parking position to support the front of the hitch.
3. Insert a 3/4-10 x 7 hex bolt into the hose holder tube on the hitch from the bottom side so the threads point upward. Hold in place with a 3/4-10 flange nut with the flange pointing upward as well. Do not tighten this cap screw, so the hose holder bracket may pivot freely in this joint.
4. Slide the hose holder bracket over the screw and secure with another 3/4 flange nut.
5. Install a 3/8-16 x 3-1/2 all-thread screw in the front of the hose holder bracket and secure with a 3/8-16 hex nut.
6. Slide the hose holder clamp over the 3/8" screw and loosely start the wing nut on top of the clamp. Hydraulic hoses will be routed through the clamp after assembly.

NOTE

The clamp has two sides, so that extend hoses can be located on one side and retract hoses can be located on the other side for reference.

7. Attach the store-a-way harness to the bottom side of hose holder bracket using 1/4-20 x 1 hex bolt and 1/4-20 lock nut.

Gauge Wheel Assembly Center

1. Remove the 1 x 7-1/2 bolt and 1 lock nut from the gauge wheel extension mount assembly **See Figure 3-4.**
2. Attach the gauge wheel assemblies to the front of the center frame with 3/4 x 5-1/2 bolts and 3/4 locknuts.
3. Connect the front of the radius rod assembly to the gauge wheel assembly and the rear to the gauge wheel extension mount assembly with 1 x 7-1/2 bolts and 1 locknuts.

NOTE

Initially set the radius rod assembly to 21" centers.

4. Install 8-bolt tire/wheel assemblies on the gauge wheel assemblies.

TABLE OF CONTENTS

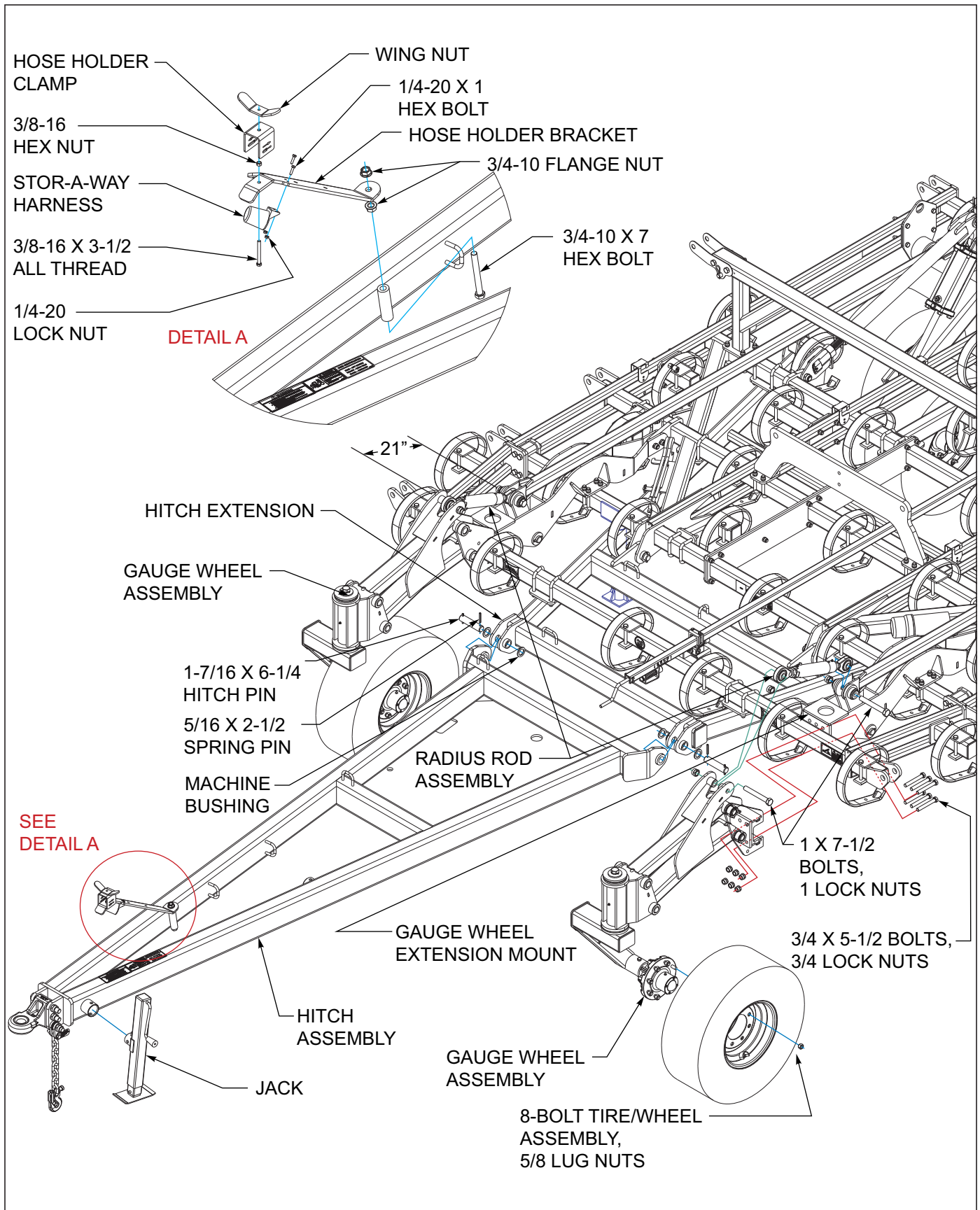


Figure 3-4: Hitch and Gauge Wheel Assembly

Wing Frames

1. Attach wing frame assemblies to center frame using flat washers, 1-1/4 x 6-1/8 pin and 5/16 x 2-1/2 spring slotted pins *See Figure 3-5*.
2. Support the outer ends of the inner wing frames with stands approximately 36" tall.
3. Remove any spring clamp assemblies that have been turned around or mounted inside the frame for shipping, and reposition. *See Figure 2-2* through *See Figure 2-3* for shank placement.
4. Install the 6-bolt tire/wheel assemblies on the inner wing lift assembly with 9/16 lug nuts.

NOTE

All tire/wheel assemblies are mounted with the valve stem facing outward.

Wing Gauge Wheel Installation

1. Remove the 1 x 7-1/2 bolt and 1 lock nut from the gauge wheel extension mount assembly *See Figure 3-5*.
2. Attach the gauge wheel assemblies to the front of the center frame with 3/4 x 5-1/2 bolts and 3/4 lock nuts.
3. Connect the radius rod assembly to the front of the gauge wheel lift tube with the installed 1 x 7-1/2 bolts and 1 locknut. Connect the front of the radius rod assembly to the top of the gauge wheel links with 1 x 7-1/2 bolt and 1 locknut. Initially set the radius rod assembly to 21" centers.
4. Install 6-bolt tire/wheel assemblies on the gauge wheel assembly with 9/16 lug nuts.

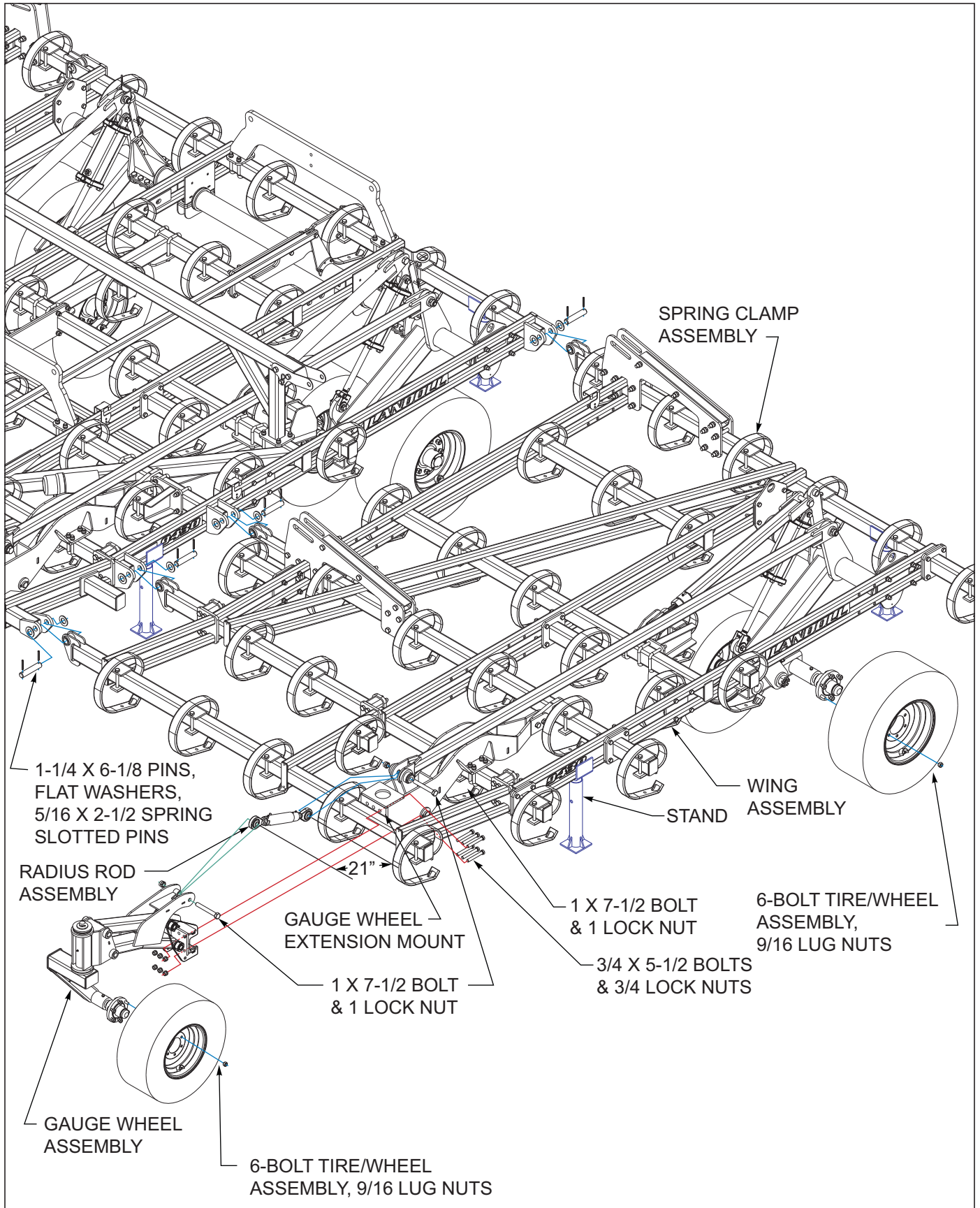


Figure 3-5: Wing Assembly

Hydraulic Installation

See Figures 3-11 through 3-15 for hydraulic cylinder fittings (factory installed and those installed during setup.)

Refer to Figures 3-11 through 3-13 for lift hydraulic installation.


Refer to Figures 3-14 through 3-15 for lift hydraulic installation.

1. Attach the base end of each 4-1/2 x 30 hydraulic cylinder to the fold cylinder mount on the center frame with clevis and roll pins provided with each cylinder as shown in **3-10**. Position the cylinders so the hydraulic ports point to rear on front cylinders and to front on the rear cylinders.

NOTE

Rod ends of fold cylinders need to be left unassembled until fold hydraulic system is fully charged with oil to prevent machine damage.

2. Using 1-1/4 x 6-1/8 fold pin, 1-1/4N flat washers, and 5/16 x 2-1/2 spring slotted pins, attach the rod end of the 4-1/2 x 30 cylinders to the slotted mounts on the inner wing frames **See Figure 3-10**
3. Using a 1-1/4-7 x 7 hex head cap screw, flat washers, wing extension roller, and hex lock nut, attach the rod end of the 4 x 16 hydraulic cylinders to the fold links on the double hinge **See Figure 3-10** Do not over-tighten screws. Fold links should pivot freely without binding or dragging. Tighten screws to remove excess slack, but still allow fold links to flex, and rotate bolt by hand.

 <p>CAUTION</p>
<p>Restrictors are installed in the rod end of wing fold cylinders to prevent uncontrolled dropping of wings. Removal of these restrictors, or improper installation can result in serious damage to the implement. See Figures 3-14 for proper restrictor fitting identification and location.</p>

4. Install 90 degree regular adapter fittings in both ends of all lift cylinders (4 x 10, 3-3/4 x 10, and 3-1/2 x 10) **See Figures 3-11**. Install base fitting in side port, with both fittings pointing upward.
5. Attach the 8 port manifold assembly to the front manifold bracket on the implement using 1/2-13 x 3-1/2 hex head cap screws and hex lock nuts.
6. Attach hose clamps to the hitch using 3/8-16 x 2-1/2 hex head cap screws and hex lock nuts.

7. Attach hose mounts to lift tower assemblies with 1 x 4 screws and 1 lock nuts **See Figure 3-6**.

NOTE

2 hose mounts used on center frame See Figure 3-1 for placement and orientation.

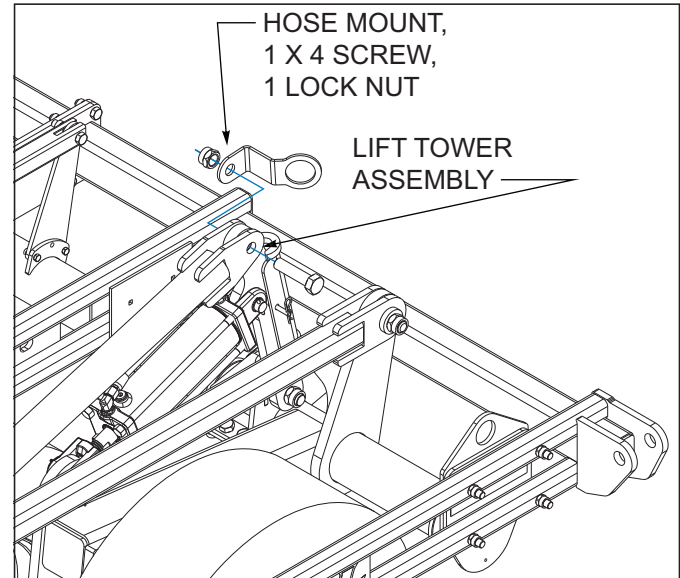


Figure 3-6: Center Hose Mount Installation

Figure 3-7:

8. Install a 6-1/4" long piece of black trim in the top hole of the lift bearing caps. Outer wing bearing caps do not require trim. Route rear fold and lift hydraulic hoses through bearing caps between frame sections **See Figure 3-8**. Install a 6-1/4" long piece of black trim in the hole of the hose mounts **See Figure 3-8**.

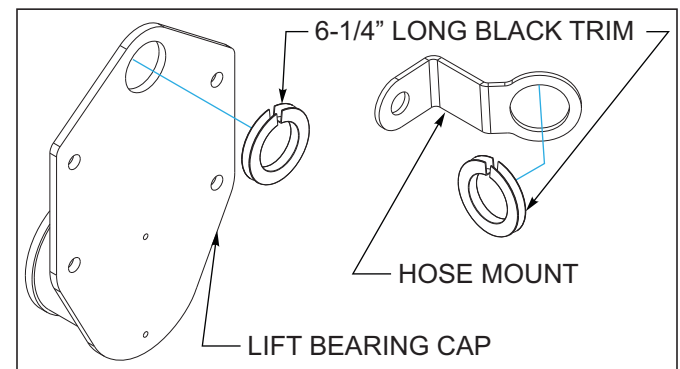


Figure 3-8: Trim Installation

9. Install lift system hoses per **Figure 3-11**. Wrap lift system hoses with blue hose wrap.

NOTE

Use side port for all base end lift cylinder connections.

10. Install fold system hoses per **Figure 3-15**. Wrap fold system hoses with yellow hose wrap.
11. Attach hose clamps to the center and wing frames **See Figures 3-9** using 3/8 x 2-3/4 hex head cap screws and 3/4 lock nuts.

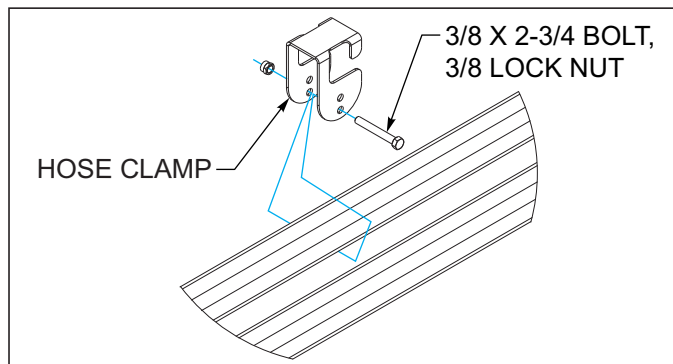


Figure 3-9: Hose Clamp Installation

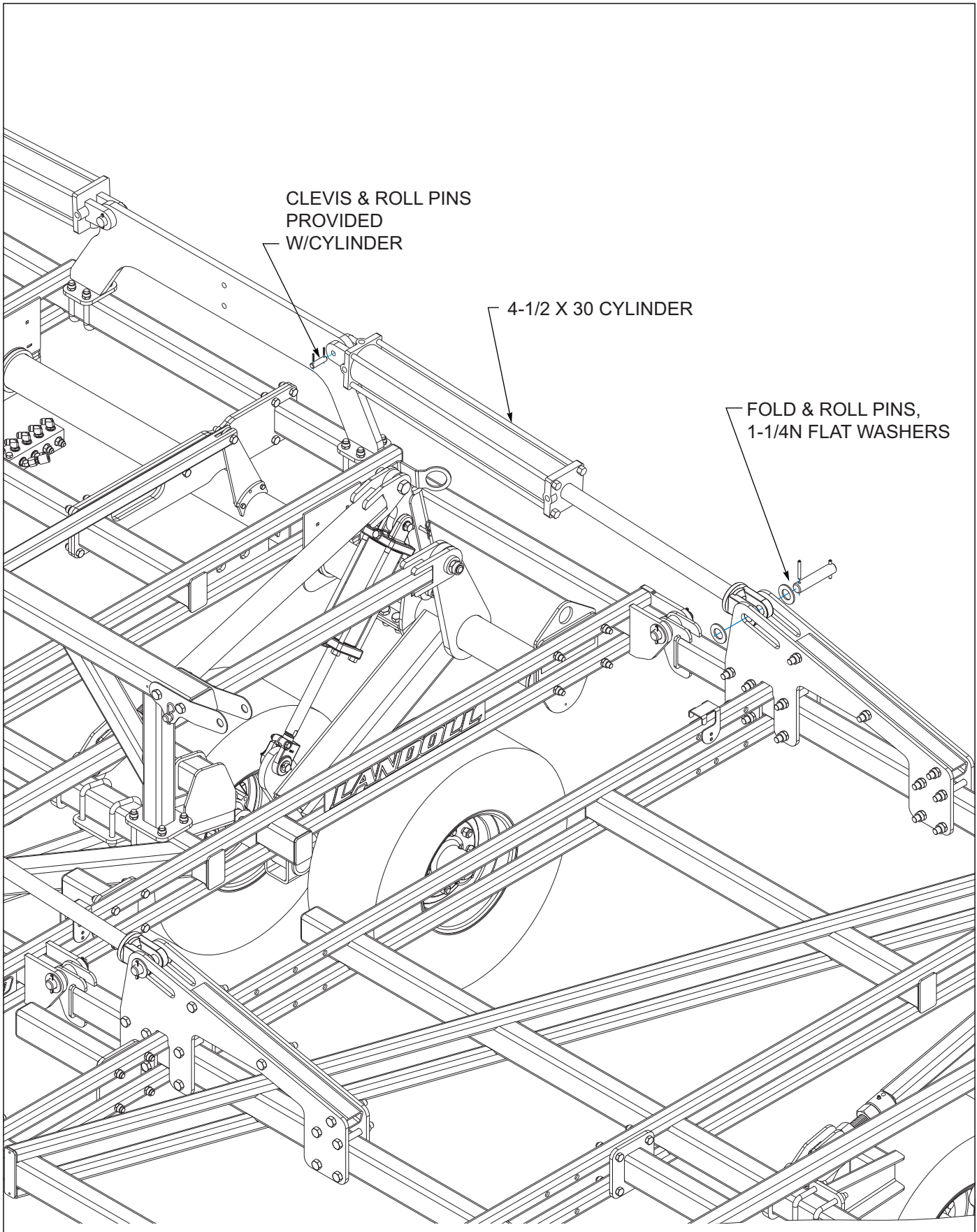


Figure 3-10: Fold Cylinder Installation

TABLE OF CONTENTS

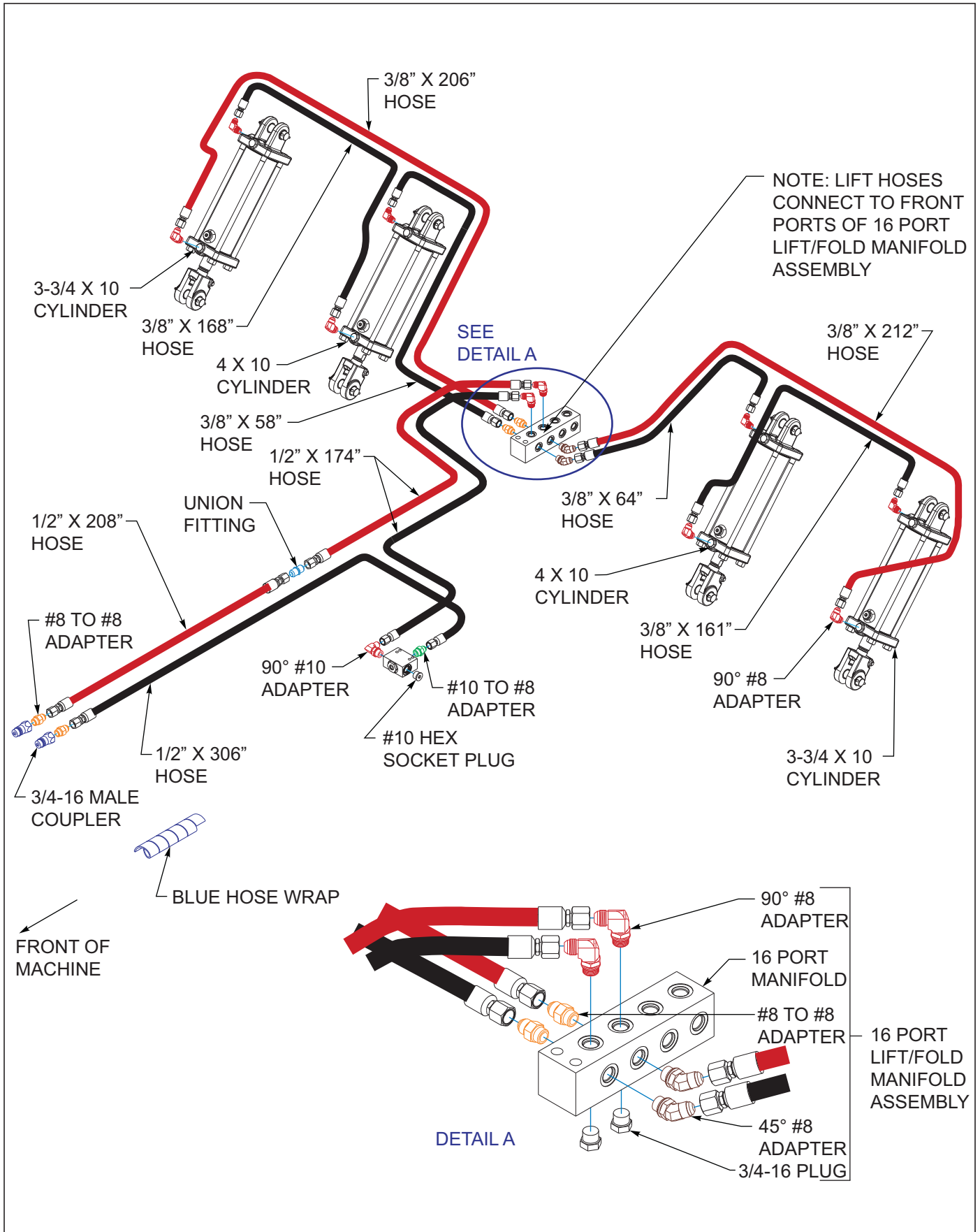


Figure 3-11: Hydraulic Lift Installation 9430FH

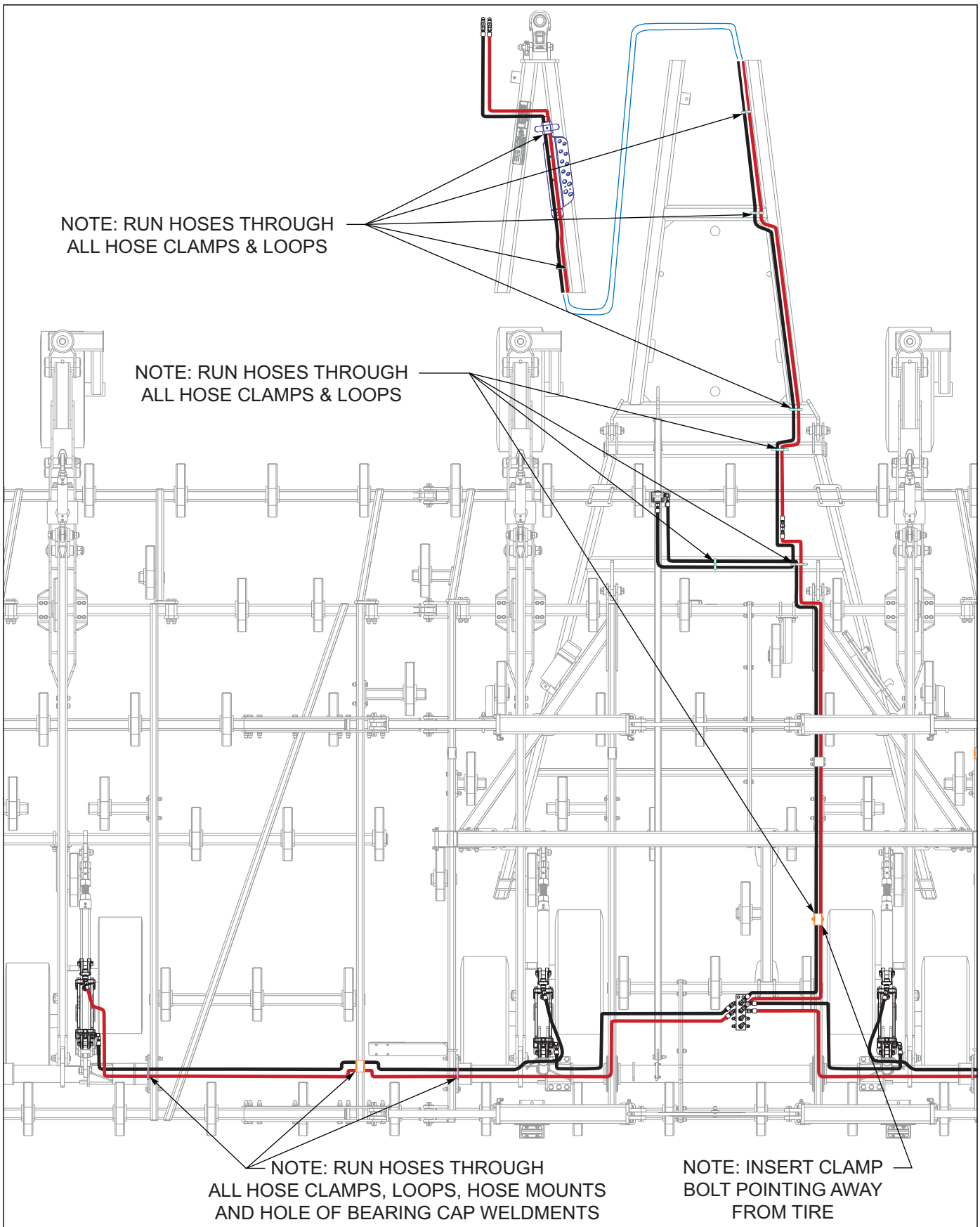


Figure 3-12: Hydraulic Lift Layout 9430FH LH

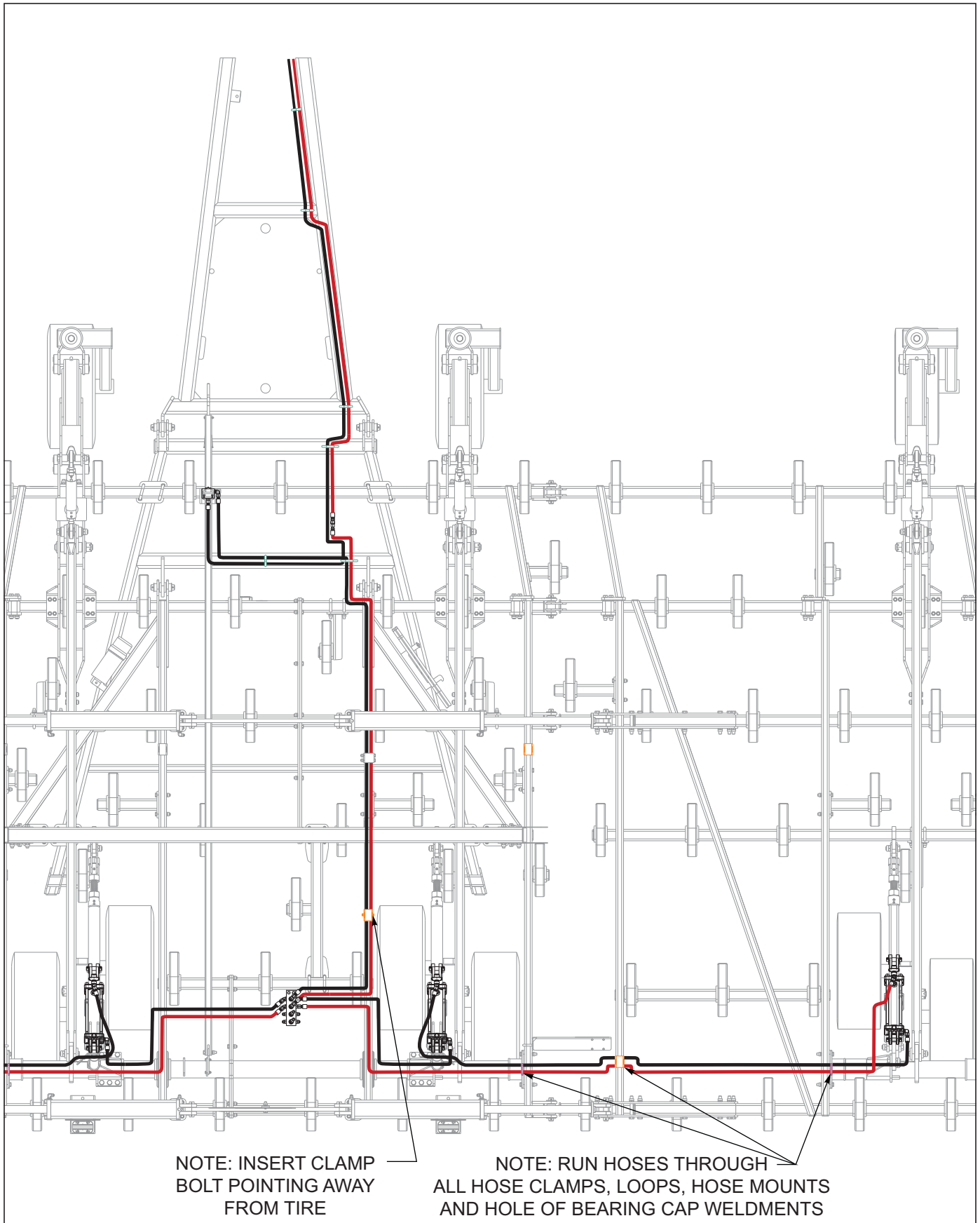


Figure 3-13: Hydraulic Lift Layout 9430FH RH

TABLE OF CONTENTS

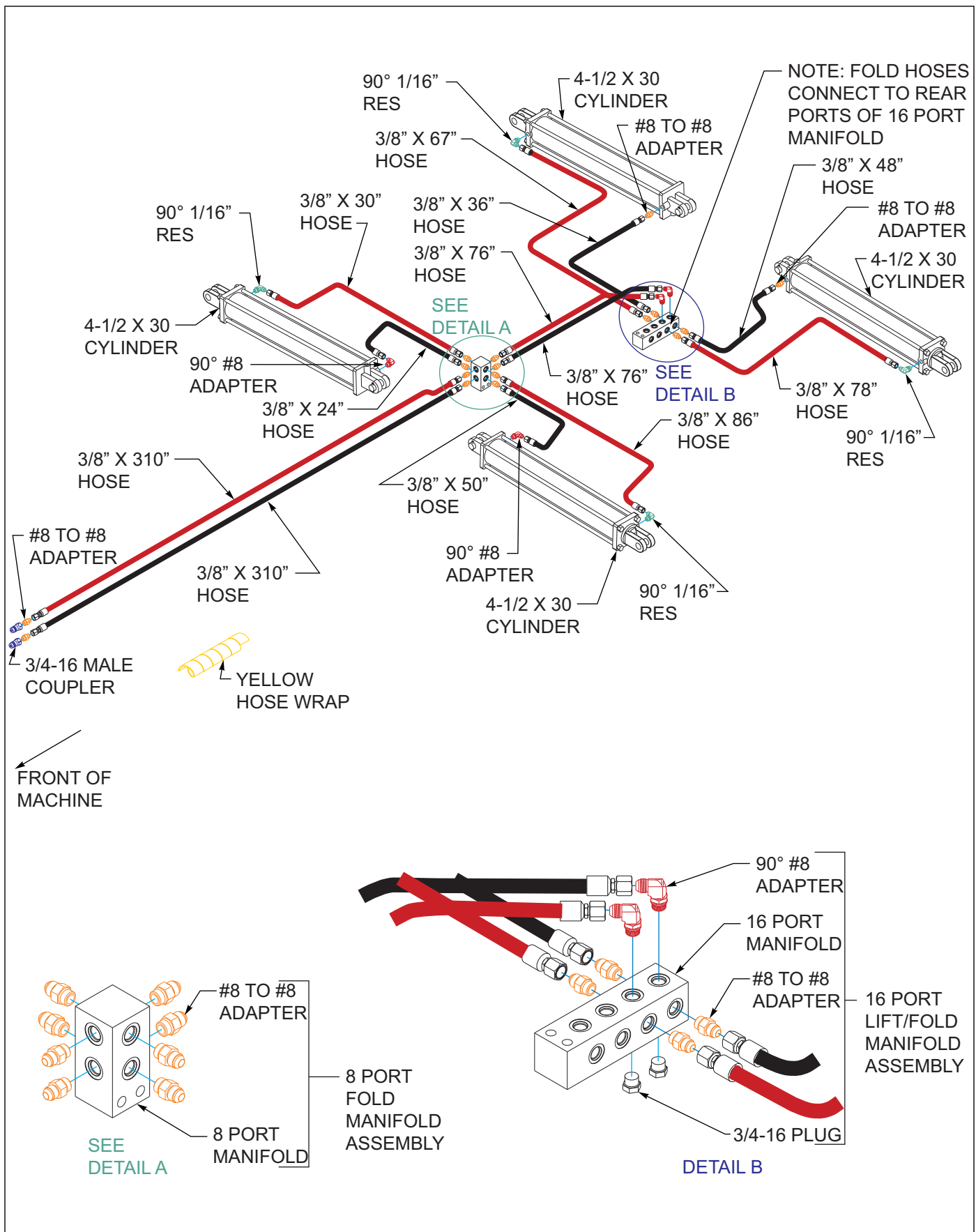


Figure 3-14: Hydraulic Fold Installation 9430FH

TABLE OF CONTENTS

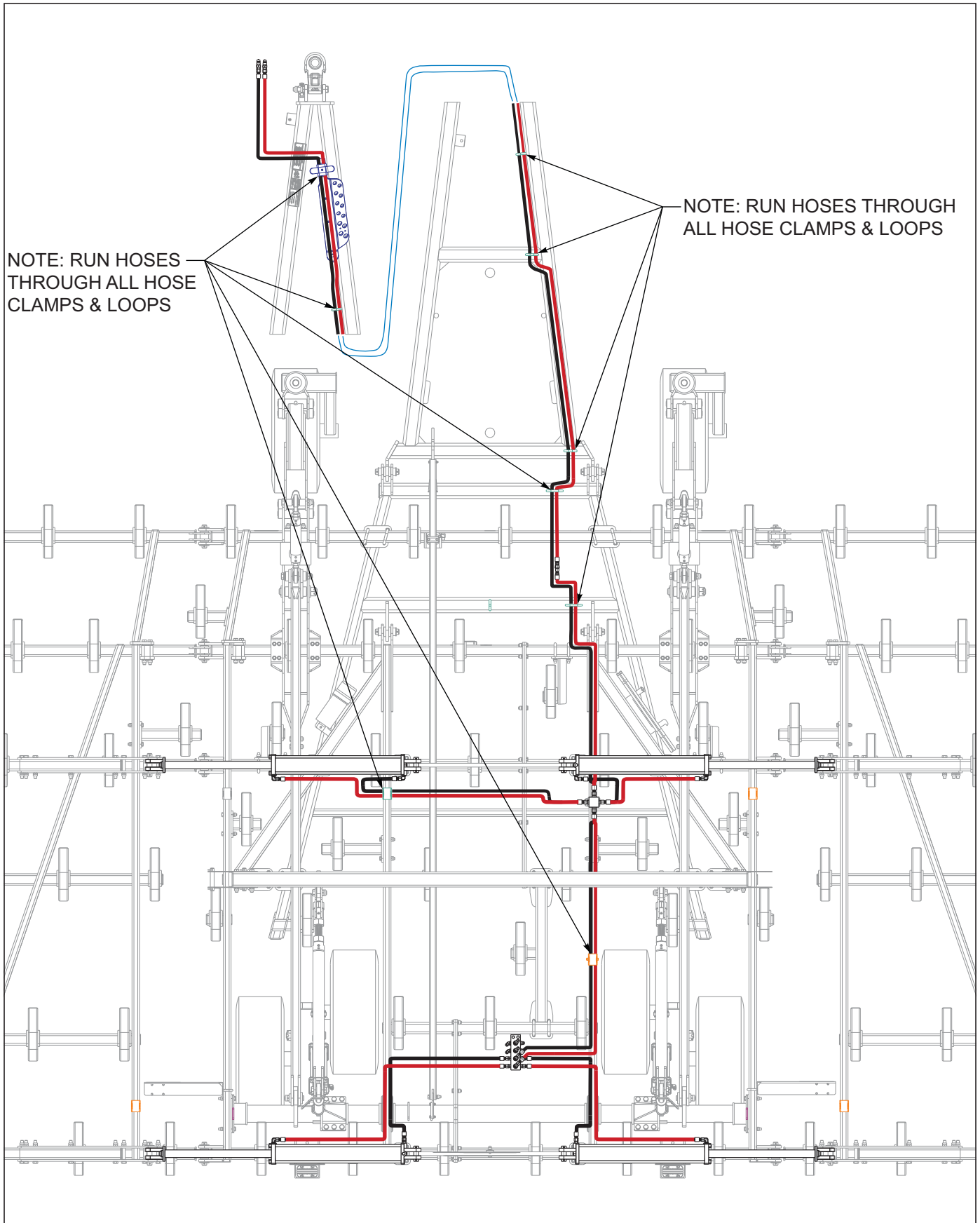








Figure 3-15: Hydraulic Fold Layout 9430FH

TABLE OF CONTENTS

7-PIN CONN.	4-PIN TOWER	CIRCUIT	WIRE COLOR
1	D	GROUND	WHITE 
2	-	WORK LAMPS	BLACK 
3	B	LEFT FLASHING & TURN	YELLOW 
4	-	STOP LAMPS	RED 
5	A	RIGHT FLASHING & TURN	GREEN 
6	C	TAIL LAMPS	BROWN 
7	-	SWITCHED POWER (12 V)	BLUE 

MAIN WARNING LIGHT HARNESS - WIRING CHART

	RIGHT AMBER	RIGHT RED		LEFT RED	LEFT AMBER
	2-PIN TOWER	3-PIN TOWER	6-PIN SHROUD	3-PIN TOWER	2-PIN TOWER
 BLACK LEFT TURN			A	C	
 WHITE GROUND	A	A	B	A	A
 BROWN TAIL LIGHT		B	C	B	
 YELLOW LEFT TURN			D		B
 GREEN RIGHT TURN	B		E		
 RED RIGHT TURN		C	F		

REAR WARNING LIGHT HARNESS - WIRING CHART

Figure 3-16: LED Light Harness Wire Designations

LED Light Installation

1. Attach LH and RH light bracket assemblies to center frame using 1/2 x 2-1/8 x 3-1/4 u-bolt and lock nuts **See Figures 3-17** and **See Figures 3-18** for light bracket placement location.
2. Attach ag flasher control module to bottom of right tail light mount with 1/4 x 1-1/2 bolts and lock nuts.
3. Route the 4 and 6 pin connectors to the front of the light mount.
4. Install the light mount and ag flasher control module to frame assembly with 5/8 x 3-11/16 x 6-3/8 u-bolts and lock nuts.
5. Attach the ag red single LED lamps to tail light mounts using 1/4 x 1-1/2 bolts and lock nuts.
6. Attach the amber light assemblies to the center frame using 1/2 x 2-1/4 u-bolts and lock nuts. The amber reflectors should point forward on both assemblies
7. Install the rear warning light harness to the frame. Connect 2 pin and 3 pin ends to each of the warning lights. Connect 6 pin to the ag flasher control module **See Figures 3-16** for harness wire designations.
8. Attach front warning harness to frame. Connect 4 pin end to the ag flasher control module.
9. Insure that the harnesses are clear of any moving parts and secure the harnesses with tie straps provided. **See Figures 3-18** for light harness routing.
10. Install the stor-away holder to hose holder on hitch with 1/4 x 1 bolts and lock nuts (**See “Hitch Assembly” on page 3-6.**)
11. Attach the smv mounting bracket to front side cylinder mount rear with 5/8 x 2-1/2 bolts and 5/8 lock nuts **See Figures 3-17** Detail A.
12. install the Landoll decal to the rear of the cylinder mount rear.
13. Attach the sis decal mount, sis 20 mph decal, smv emblem using 1/4 x 1 bolts and lock nuts.

TABLE OF CONTENTS

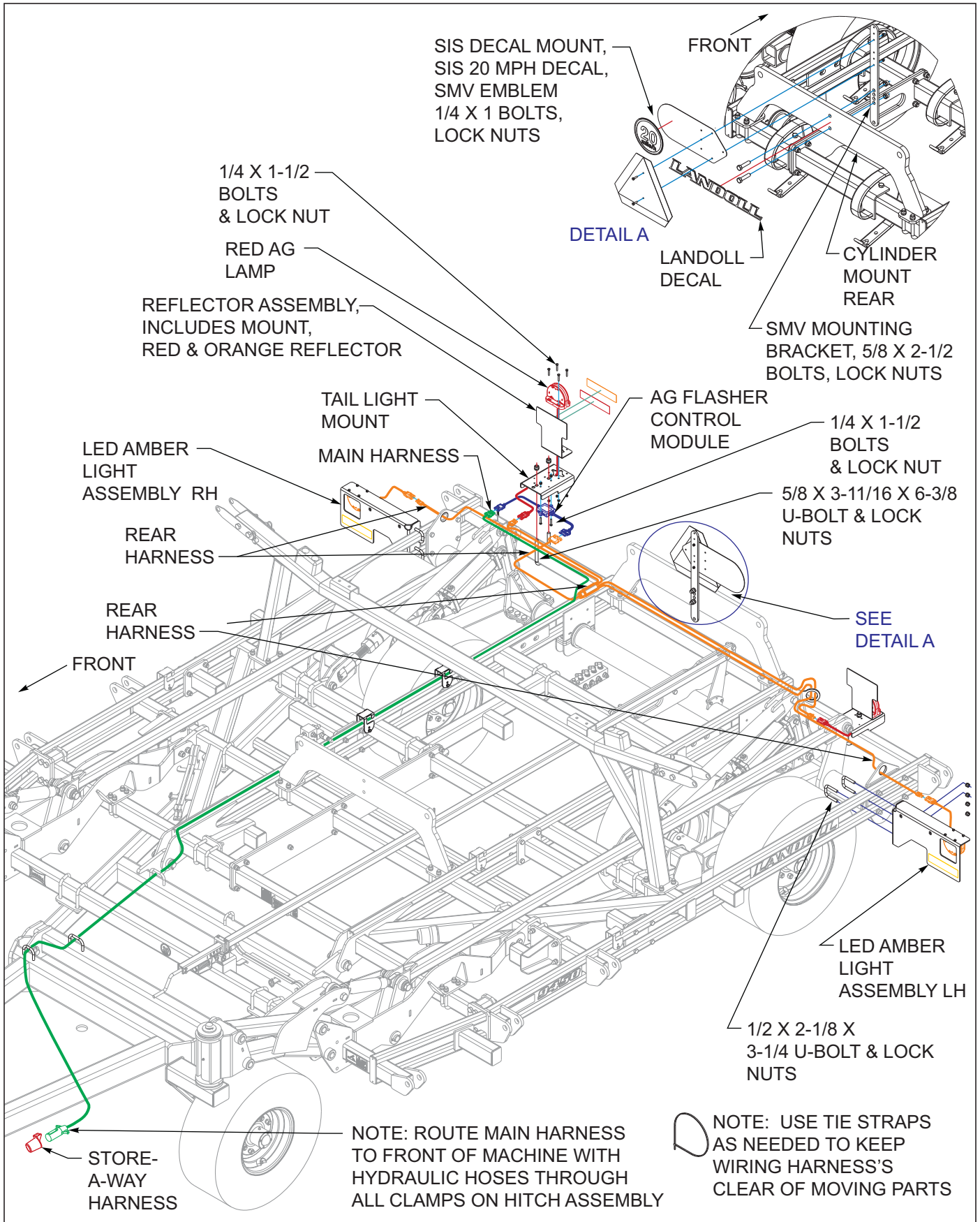


Figure 3-17: LED Light Installation

TABLE OF CONTENTS

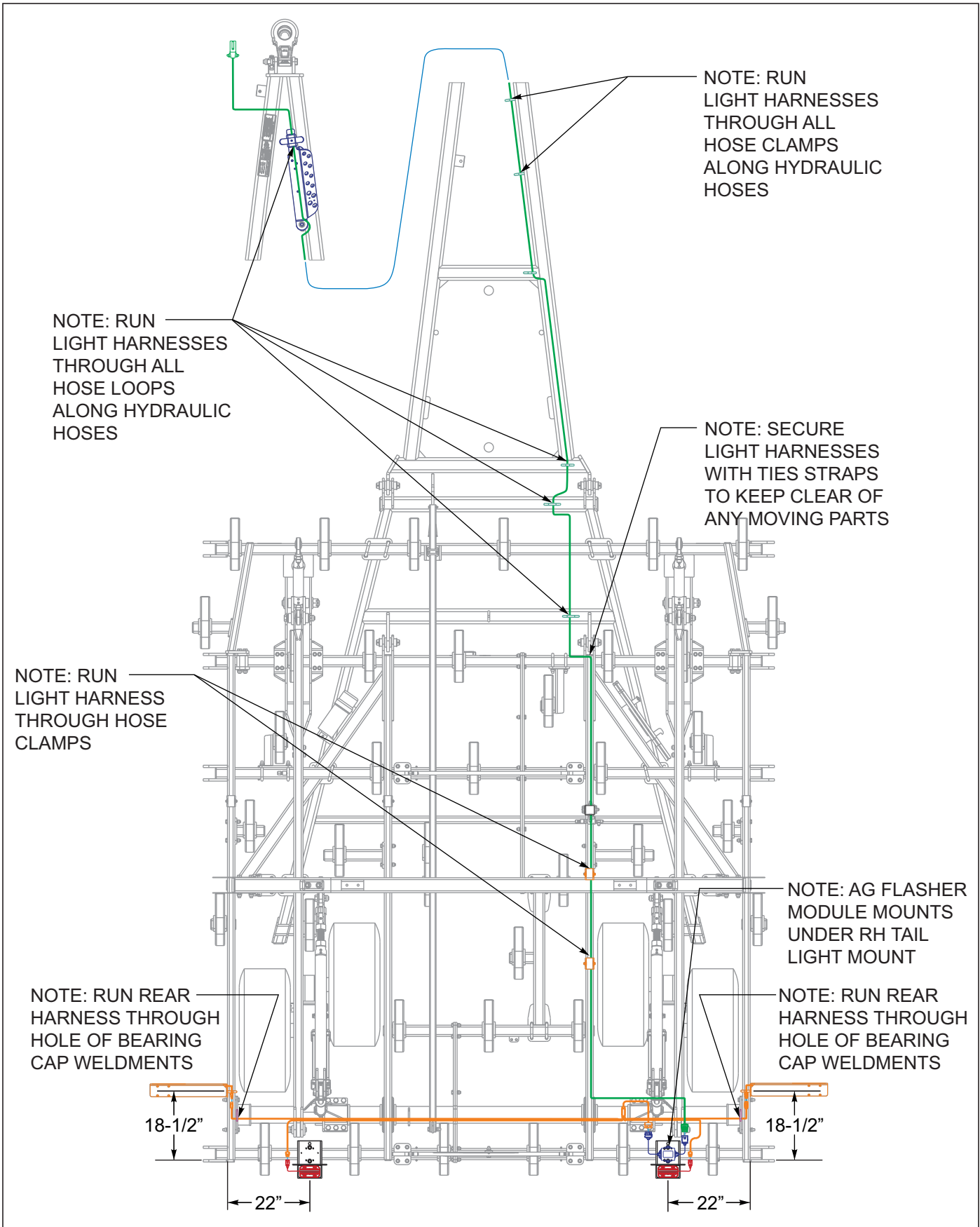


Figure 3-18: LED Light Layout

Tine Installation

See Figure 2-2 through *2-3* for tine placement dimensions. Verify that all tine clamps and spring clamps are properly installed.

1. Slide stems through slotted hole of the spring clamp *See Figure 3-19*. Secure with 5/8 x 1-3/4 bolt and 5/8 flange lock nut.
2. Attach 2-3/4 danish sweep to stem with 7/16 x 1-3/4 plow bolts, 7/16 flat washers and 7/16 lock nuts.
3. Install a tine shank spacer between stem and spring clamp as required.

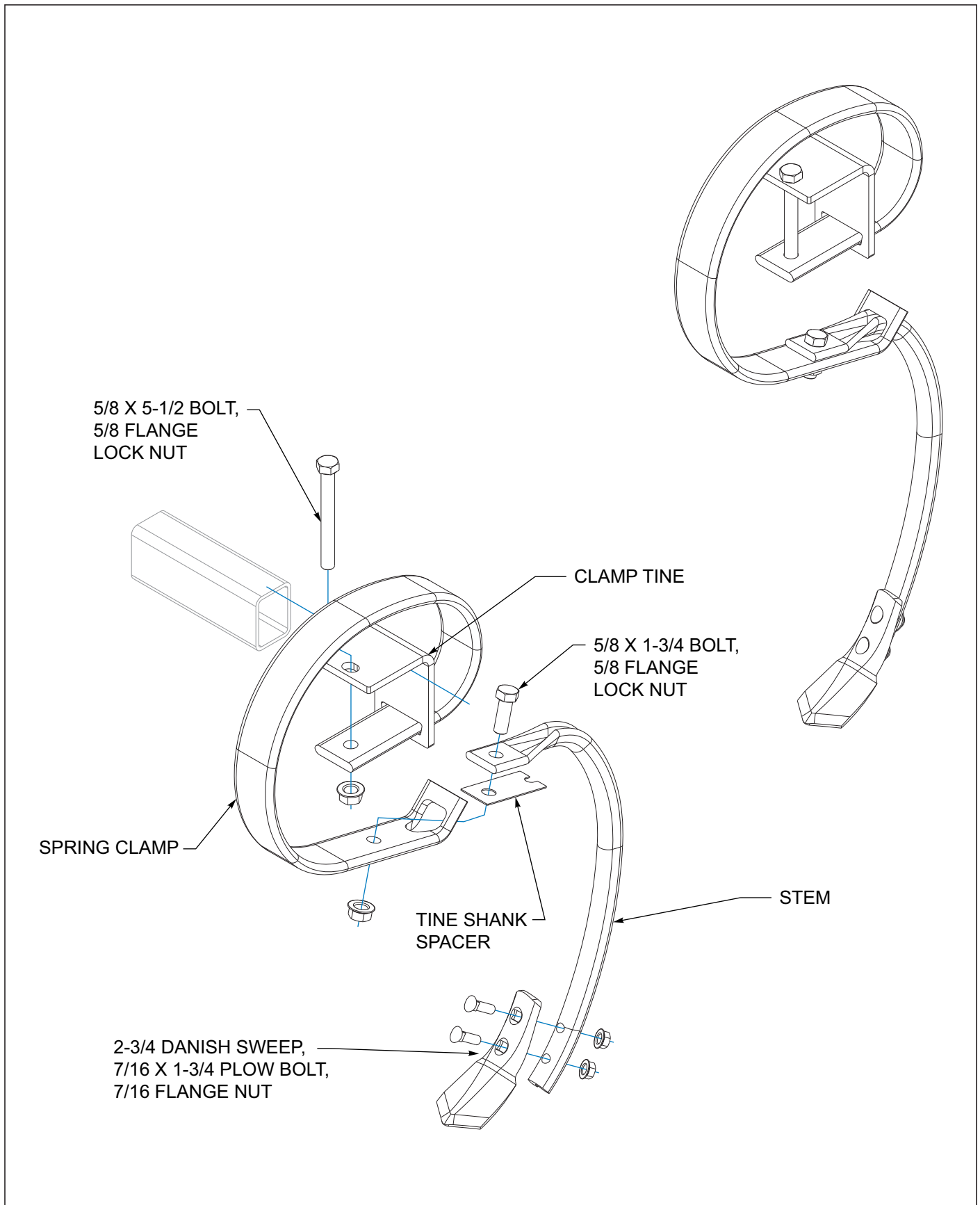


Figure 3-19: Shank Installation

3 Row Coil Tine and Reel Harrow Installation

See Figures 2-4 through 2-9 for 3 Row Coil Tine Harrow placement dimensions.

1. Attach the tine/reel arm assemblies to the rear tube of the center and wing frames using harrow mounting plates, 3/4 x 5-1/2 bolts, clamp bushings and 3/4 lock nuts See Figures 3-21. Clamp bushings are installed on the top mounting bolts.
2. Attach the harrow tine assemblies in correct location with 5/8 spring u-bolts and 5/8 flange lock nuts.

NOTE

3. ***Tine assemblies are shipped with front row tines above stop bolts. Remove stop bolts, let front row tines rotate downward and re-install stop bolts.***

4. Attach reel assemblies or flat reel assemblies to the reel arm assemblies using 5/8 x 3-11/16 x 4-5/8 u-bolts and 5/8 lock nuts.
5. Attach flat bar reels with angled blades as shown See Figure 3-20.

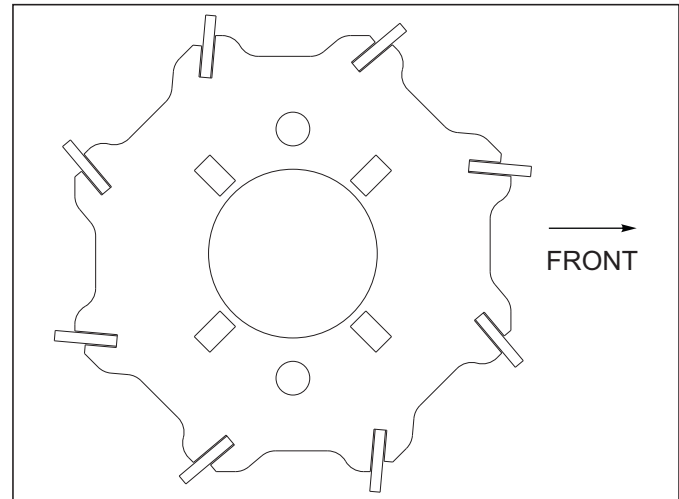


Figure 3-20: Flat Reel

5. Refer to the “3 Row Coil Tine & Reel Adjustments” in Operation and Maintenance section for coil tine adjustments (See “3 Row Coil Tine and Reel Adjustments” on page 4-13.)

TABLE OF CONTENTS

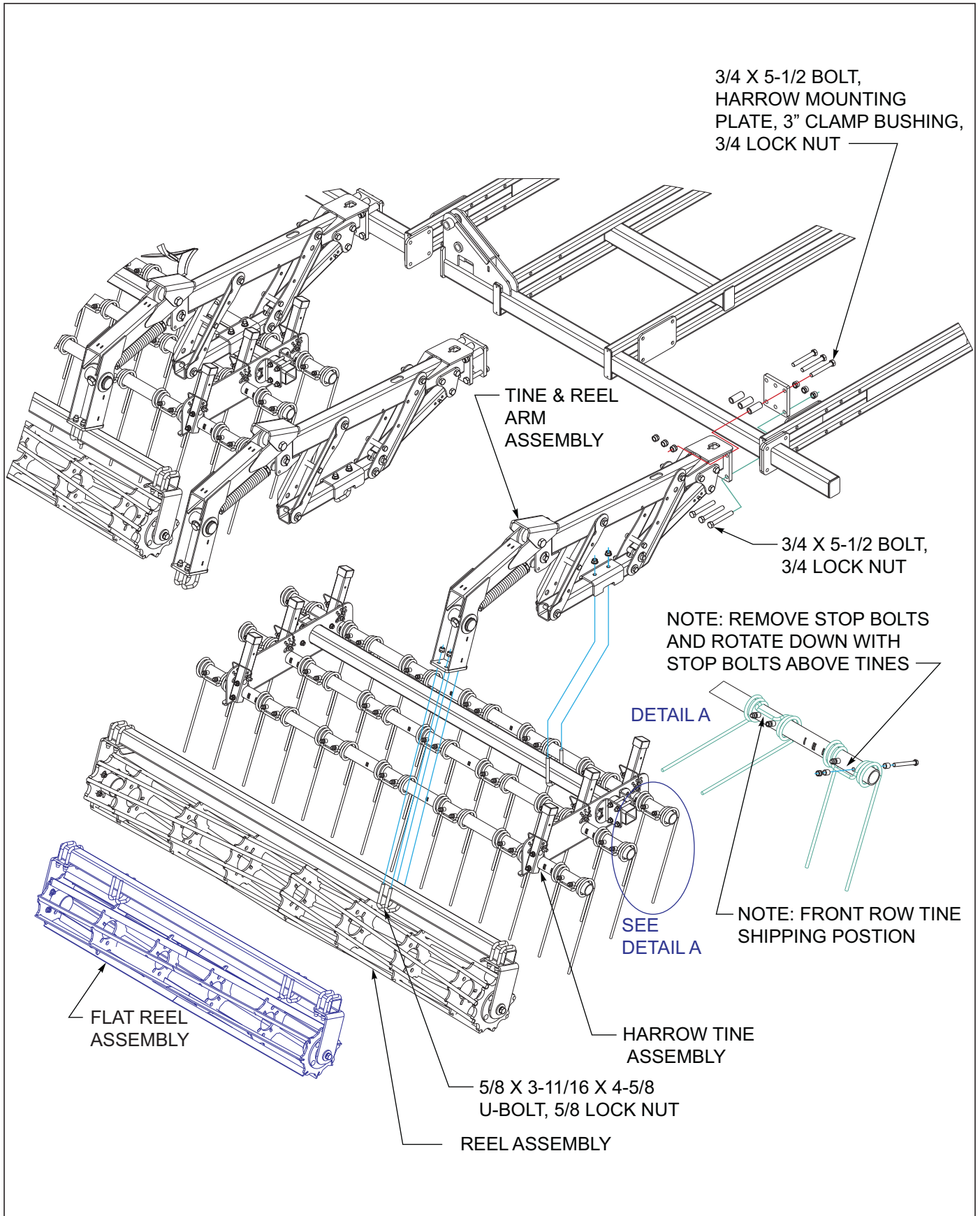


Figure 3-21: 3 Row Coil Tine and Reel Harrow Installation

3 Row Spike and Reel Harrow Installation

See Figures 2-10 - 2-15 for 3 Row Spike and Reel Harrow for placement dimensions in “Standard Specification” section.

1. Attach the 3 RSD w/spring and 3 RSD w/o spring (**Models 9430FH -32’-34’ only**) arm assemblies to the rear tube of the center and wing frames using harrow mounting plates, 3/4-10x5-1/2 hex screws, clamp bushings and 3/4-10 lock hex nut *See Figure 3-22*.
2. Harrow arms w/o springs are used as the middle harrow arm on the wings.

NOTE

Location of bar clamps with tabs, and position harrow arm assemblies in the correct locations.

NOTE

See Figures 3-22 for proper placement.

3. Refer to Note: spike bar alignment *See Figures 3-22* for proper alignment of spike bar assemblies. Be sure they are aligned properly on both right and left side of each section.
4. Attach spike bars to spike harrow arm assemblies per placement drawings using bar clamps, bar clamp plates 1/2-13 x 3 hex head cap screws, or bar clamps w/ tabs, 1/2-13 x 1-1/4 hex head cap screws, and hex lock nuts.
5. See spring assembly adjustment for initial setting in “Operating Section”.
6. Attach reel assembly to 3 RSD arm assemblies using 5/8-11 u-bolts and 5/8-11 hex lock nuts.
7. *See Figures 2-10 - 2-15* for 3 Row Spike and Reel Harrow *placement dimensions of spike harrow arms, spike bars, and usage of bar clamps or bar clamps w/ tabs.*
8. Refer to ***“3 Row Spike and Reel Adjustments” on page 4-15*** in “Operation and Maintenance” section for spike angle and spring adjustments.

TABLE OF CONTENTS

NOTE: SPIKE BAR ALIGNMENT
RIGHT SIDE SHOWN

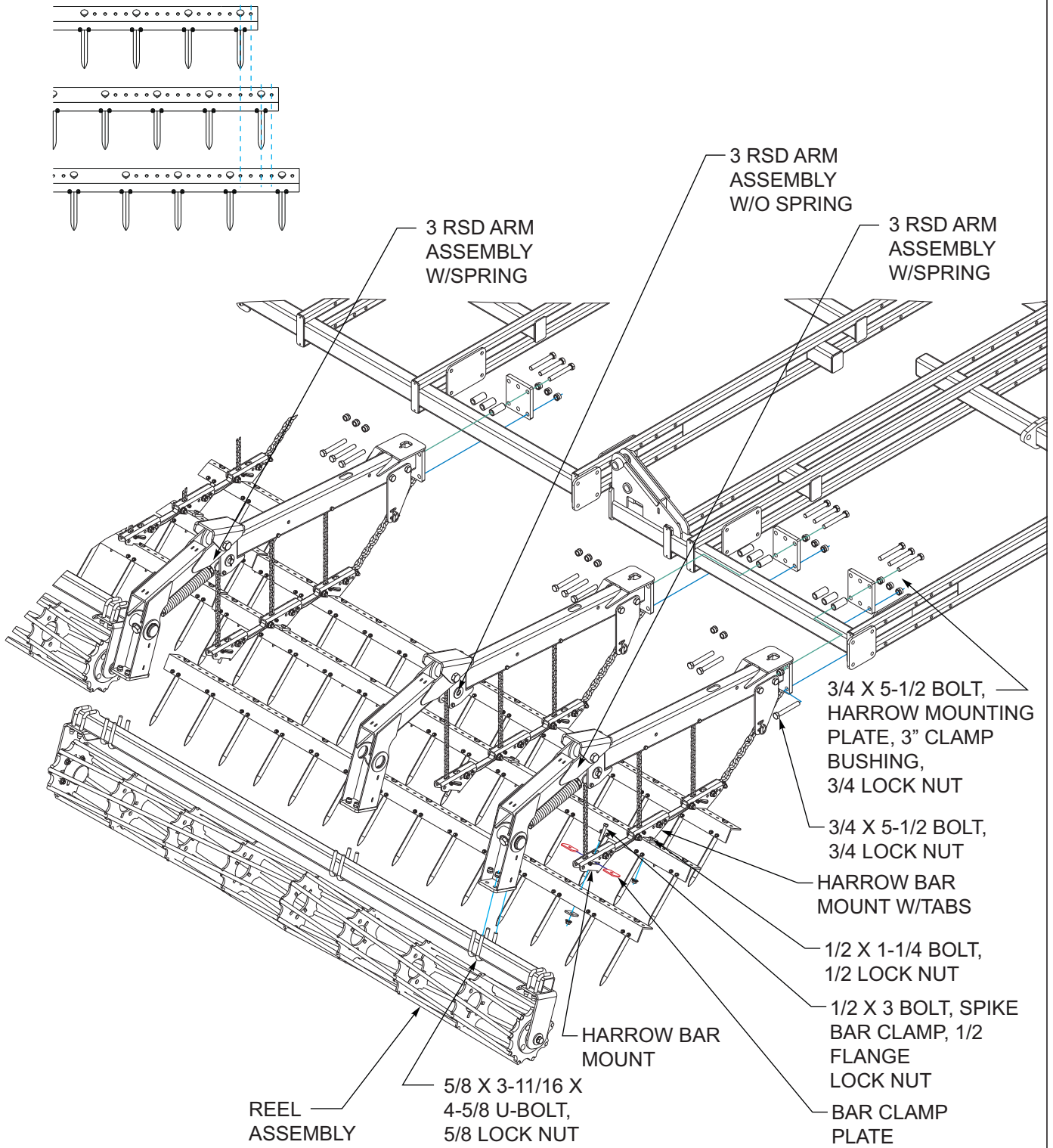


Figure 3-22: 3 Row Spike Harrow and Reel Installation

2RS DBL Flat Reel Installation

See [Figures 2-16 - 2-21](#) for 2 row spike and double flat reel placement dimensions of spike harrow arms, spike bars, and usage of bar clamps or bar clamps w/ tabs.

1. Attach the 2RSD arm assemblies to the rear tube of the center and wing frames using harrow mounting plates, 3/4-10x5-1/2 hex screws, clamp bushings and 3/4-10 lock hex nut [See Figure 3-24](#).

NOTE

Clamp bushings are installed on the top mounting bolts.

NOTE

Location of bar clamps with tabs, and position harrow arm assemblies in the correct locations.

NOTE

The harrow arms with the catch tray hooks are used on the outer wings with the catch tray hooks toward the outside of the machine and the catch trays toward the center of the machine. See [Figures 2-16 - 2-21](#) for proper placement.

2. Refer to Note: spike bar alignment [See Figures 3-24](#) for proper alignment of spike bar assemblies. Be sure they are aligned properly on both right and left side of each section.
3. Attach spike bars to spike harrow arm assemblies per placement drawings using bar clamps, bar clamp plates 1/2-13 x 3 hex head cap screws, or bar clamps w/ tabs, 1/2-13 x 1-1/4 hex head cap screws, and hex lock nuts.
4. See spring assembly adjustment for initial setting in "Operating Section".
5. Attach double flat reel assembly to 2 RSD arm assemblies using 3/4 x 8-1/2 bolts, gangbar mount plates, torsion springs, tube clamps and 3/4 lock nuts.
6. Attach flat bar reels with front and rear reel angled blades as shown [See Figure 3-23](#).

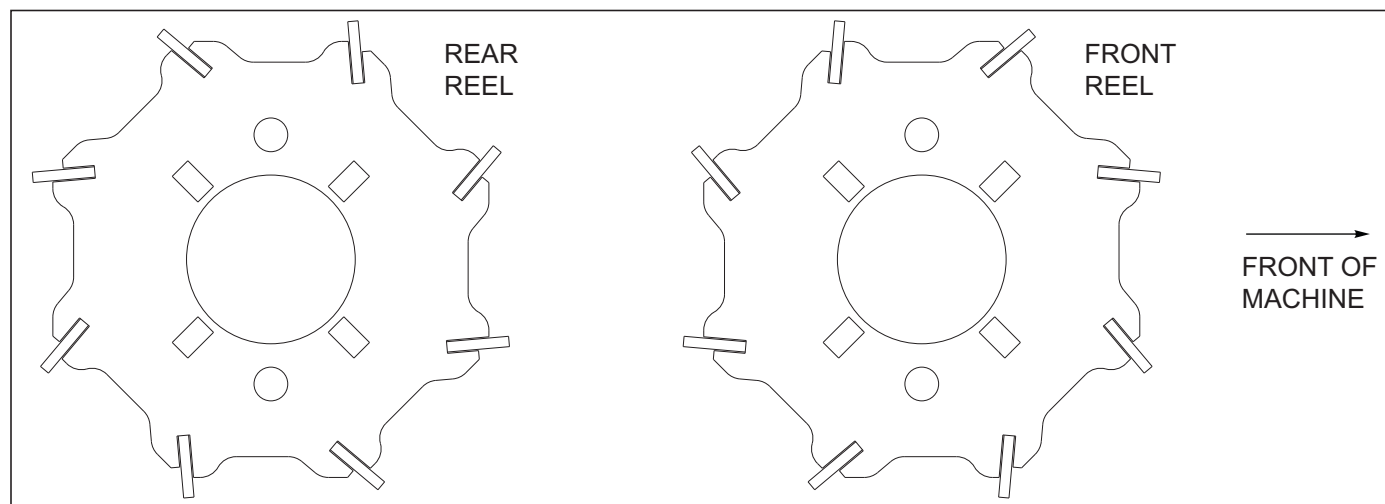


Figure 3-23: 2RS DBL Flat Reel Installation

7. Refer to "[2RS DBL Flat Reel Adjustments](#)" on [page 4-16](#) in "Operation" section for spike angle and spring adjustments.

TABLE OF CONTENTS

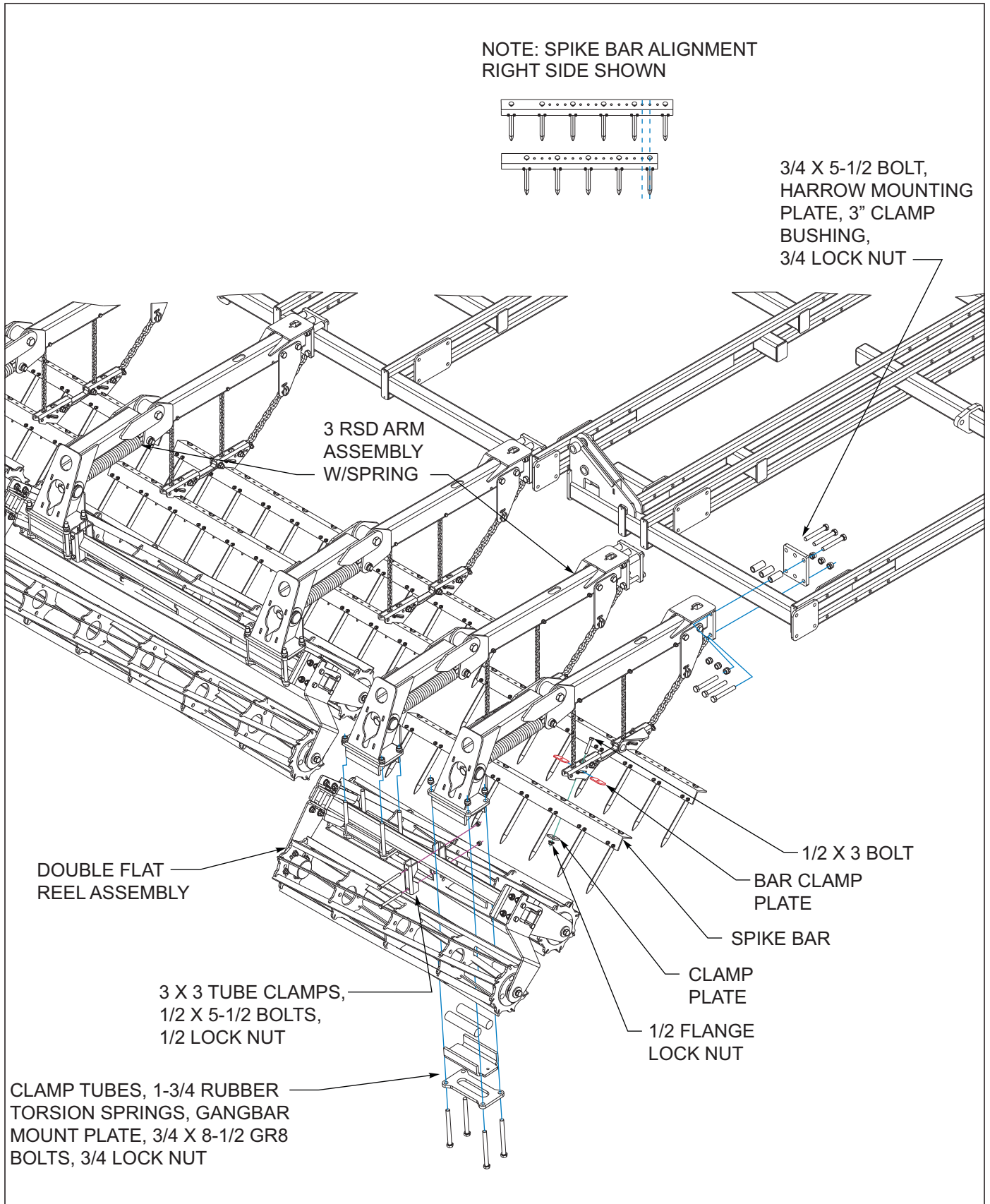


Figure 3-24: 2RS DBL Flat Reel Installation

Rear Tow Hitch (Option)

1. Unfold and lower the field cultivator to the ground.
2. Install the weight hitch plate on top of the hitch and secure with weight lock plates, 3/4 x 4-1/2 hex bolts and 3/4 lock nuts **See Figures 3-25**.
3. Remove shank assembly located at left front of rear tow hitch.
4. Attach the 12" shank extension to center frame with 5/8 x 4 hex bolts and 5/8 lock nuts. Re-tighten shank.
5. Remove the rear fold bracket by removing the 5/8 x 3-11/16 x 5-1/2 u-bolts and 5/8 lock nuts.
6. Slide the rear tow hitch assembly into place over the top of the field cultivator frame, and attach the rear tow hitch assembly to the rear bar of the cultivator with 5/8 x 4-11/16 x 4-3/4 u-bolts and 5/8 lock nuts. Leave the u-bolts loose until all other bolts have been installed.
7. Attach the front of the tow hitch assembly to the cultivator frame cross tubes using 5/8 x 3-11/16 x 5-1/2 u-bolts, 5/8 x 6 hex bolts and 5/8 lock nuts.
8. Center the rear tow hitch assembly on center frame **See Figures 3-26**, tighten all u-bolts to secure hitch.
9. Reinstall the rear cylinder fold mount and re-pin the rear fold cylinders.
10. Route the tandem light harness connector across the rear frame bar to the right rear tail light. Unplug the existing four-pin main wiring harness from the lighting module. Connect the rear tow hitch harness between the lighting module and the main wiring harness **See Figures 3-25** and **See Figures 3-26** for proper hose and light harness routing.
11. Route the rear tow hitch hydraulic hoses along with the other hydraulic hoses along the right side of the center frame to the front of the hitch.
12. Secure the hoses & wiring to the frame using tie-straps and hose clamps.

TABLE OF CONTENTS

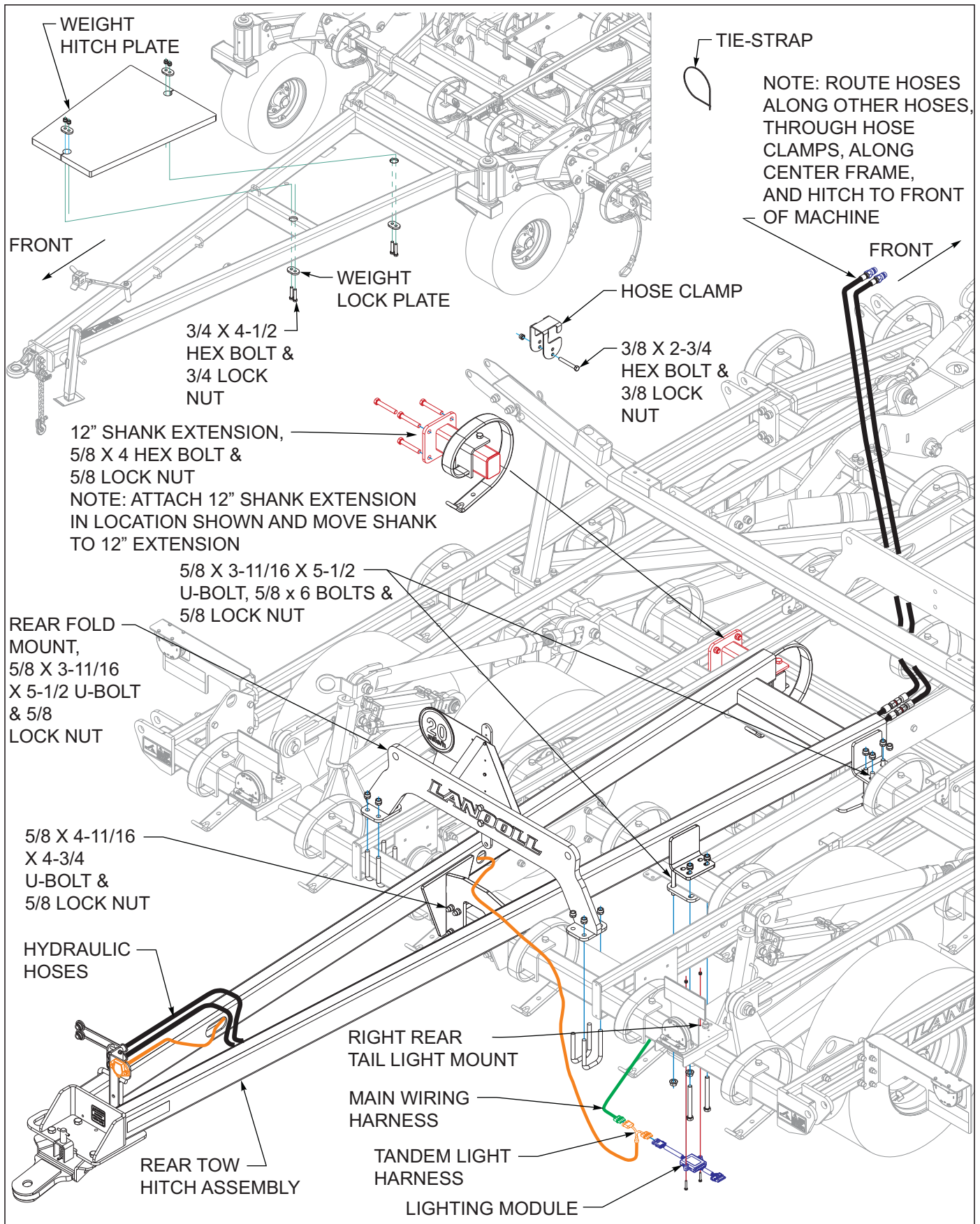


Figure 3-25: Rear Tow Hitch Installation

TABLE OF CONTENTS

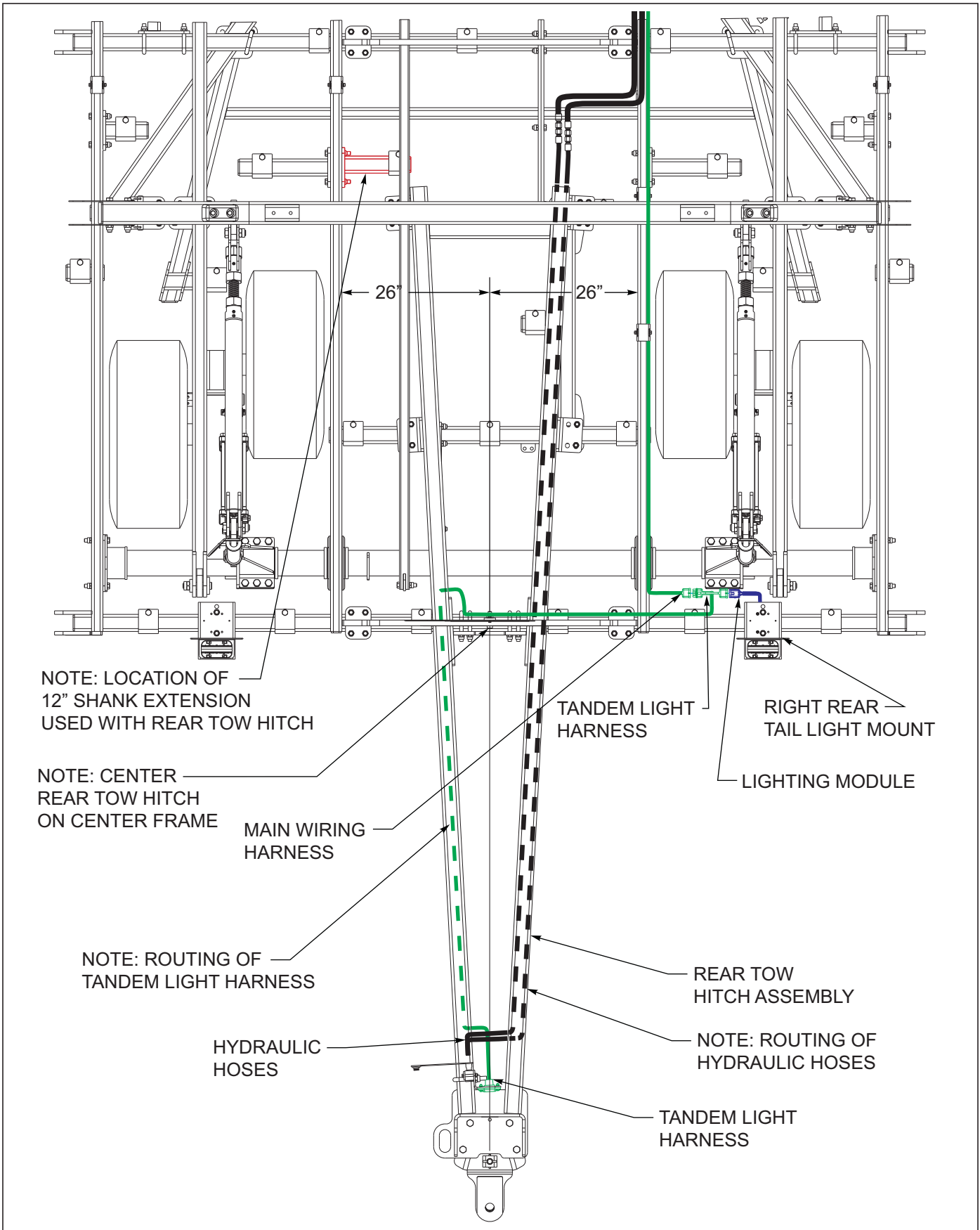


Figure 3-26: Rear Tow Hitch Layout

**DANGER**

Never allow anyone to ride on the 9430FHField Cultivator at any time. Allowing a person to ride on the machine can inflict serious personal injury or death to that person.

**DANGER**

Stand clear of wings while folding and unfolding. all hydraulically elevated equipment must have cylinder lockouts installed or be lowered to the ground, when servicing or when equipment is idle. Failure to take preventive measures against accidental lowering can result in serious personal injury.

**DANGER**

Always lock the tractor drawbar in the center position when transporting the unit. Failure to do so can result in serious injury or death and cause damage to the equipment.

**DANGER**

When transporting the unit, place cylinder lockouts in the transport lock position after fully extending the cylinders. Insert the lockout pins to secure the cylinder lockouts. Failure to lockout the cylinders can cause the unit to settle during transport, which can result in serious injury or death and cause damage to the equipment.

**CAUTION**

When transporting farm implements on public roads, it is the responsibility of the operator to abide by state and local laws concerning wide loads, speed, safety emblems and safety lighting equipment. Drive at safe speeds. Particularly when rounding corners, crossing rough ground or driving on hillsides, to prevent tipping the tractor.

Hydraulic Lift System

The Field Cultivator is equipped with a rephasing hydraulic lift system to raise and lower the unit in the field.

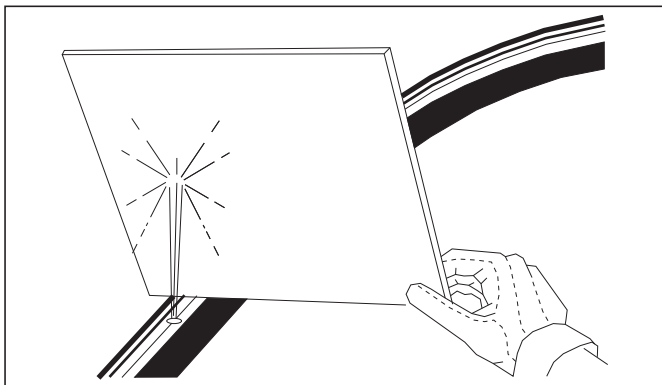


Figure 4-1: Hydraulic Leak Detection



WARNING

Escaping hydraulic fluid can cause serious personnel injury. Relieve system pressure before repairing, adjusting, or disconnecting. Wear proper hand and eye protection when searching for leaks. Use cardboard instead of hands *See Figure 4-1*. Keep all components (cylinders, hoses, fittings, etc.) in good repair.

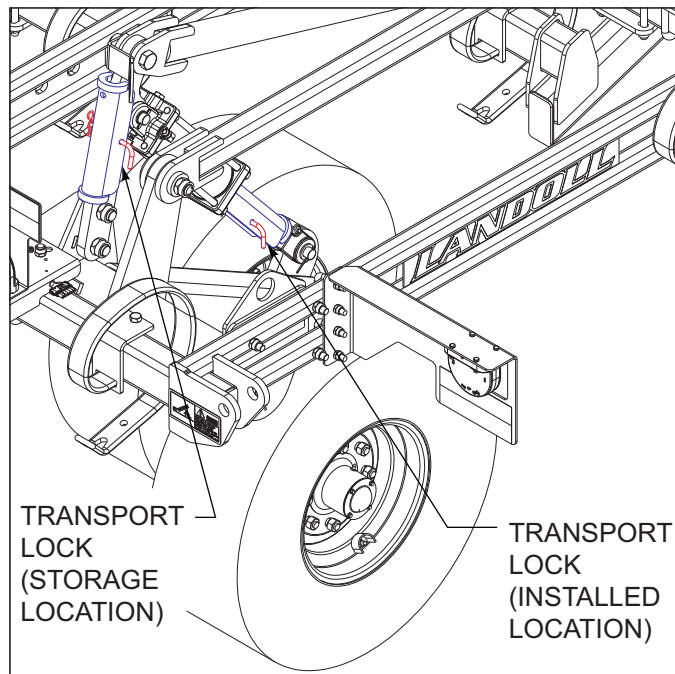


Figure 4-2: Transport Lock Locations

1. The rephasing hydraulic lift system contains smaller wing frame cylinders plumbed in series with larger center frame cylinders. It is important that the cylinders be connected in the proper series for the lift system to operate correctly. When the cylinders are fully extended and held in this position, oil is able to flow through the cylinders (or rephase) and allow the cylinders to operate in sync. This also allows the system to purge any air that may enter the system without having to loosen or crack hydraulic lines.
2. The hydraulic system is not filled with oil and should be purged of air before transporting and field operations. Carefully hitch the Field Cultivator to the tractor and connect the hydraulic lift hoses. Check to make sure the tractor hydraulic reservoir is full of the manufacturer's recommended oil. Slowly raise the machine, and continue to hold the hydraulic lever until all lift cylinders are fully extended. With all cylinders fully extended remove the transport locks *See Figure 4-2*. Lower and raise the unit to verify that all cylinders are working simultaneously throughout the stroke. If the cylinders are not working evenly or together, fully extend the lift cylinders and continue to hold the lever to purge any remaining air. Do not loosen any hoses or fittings. Recheck tractor reservoir to make sure it is within operating limits.
3. Always fully extend the cylinders and hold the lever to ensure the cylinders are rephased before starting any field operation. This will keep all cylinders in time and frame sections level when operating.
4. Servicing – Before servicing any hydraulic component, lower the implement to the ground and relieve all system pressure. If a hydraulic component is disconnected, repaired, or replaced, it will be necessary to purge the system of air before operation.

NOTE

If performing service or repair work, lower the machine down to the ground and relieve hydraulic pressure.

Hydraulic Fold System

The Field Cultivator is equipped with a hydraulic fold system to raise and lower the wing frames for narrow transport.

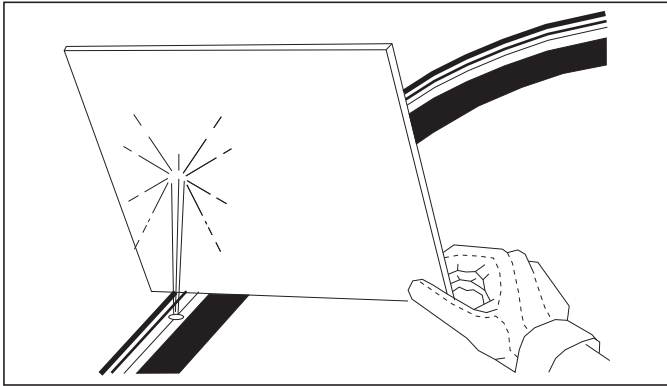


Figure 4-3: Hydraulic Leak Detection



WARNING

Escaping hydraulic fluid can cause serious personnel injury. Relieve system pressure before repairing, adjusting, or disconnecting. Wear proper hand and eye protection when searching for leaks. Use cardboard instead of hands *See Figure 4-3*. Keep all components (cylinders, hoses, fittings, etc.) in good repair.

1. Be sure the fold system is fully charged with hydraulic oil before attempting to fold/unfold the unit. Air in the system can allow uncontrolled dropping of the wing frames causing serious personal injury or machine damage. The system needs to be charged with oil initially and any time the system opened for repair such as cylinder, hose, or fitting replacement/repair.
2. To charge the system, unpin the rod end(s) of the fold cylinders, and position them so they can extend and retract without contacting any frames or other parts. Connect the implement to the tractor and install hitch pin. Check the tractor hydraulic fluid level to make sure it is full of the manufacturer's recommended hydraulic fluid. Connect the hydraulic fold and lift hoses to the tractor. Fully extend the lift cylinders and raise the implement. Extend and retract the fold cylinders several times. The fold cylinder rod travel should be smooth and positive when all air has been purged from the system. Due to large amounts of hydraulic oil required, recheck the tractor fluid level to make sure it is within proper operating limits. Reconnect the fold cylinder pins the wings.

3. The hydraulic fold system is equipped with restrictors in the cylinders to prevent uncontrolled falling of wing frames when folding/unfolding. Removal or improper assembly of these restrictors can cause the machine to fold improperly and result in serious machine damage.
4. To fold/unfold the Field Cultivator, find a level area large enough to accommodate the machine when it is fully unfolded. ***Stay away from power lines when folding/unfolding implement. Electrocutation can occur without direct contact.*** The tractor should be stopped and not moving with the implement fully raised. Remove the wing transport lock pins from the mounts and install them in the storage locations *See Figure 4-4*.

NOTE

Failure to remove the wing lock pins when unfolding will result in serious damage to the implement. Be sure other people and pets are a safe distance away.

5. Slowly engage the tractor lever and fold/unfold the wing frames. When the wings are unfolded, continue holding the tractor lever to fully extend all fold cylinders. This will allow the wings to fully flex in the field. When the unit is fully folded, remove the wing transport lock pins from the storage location and install in the mounts provided on each side of the machine *See Figure 4-4*.
6. Maintenance – Regularly check all hydraulic components. Check for hoses that may have become worn or pinched. Look for cylinders, valves, hoses, or fittings that may be leaking hydraulic fluid. Replace or repair any leaking or defective components immediately. Unfold, lower the unit to the ground, and relieve hydraulic pressure before attempting to service any hydraulic component.
7. Storage - For extended periods of non use, it is best to store the Field Cultivator inside if possible. If the unit must be stored outside for extended periods, is best to apply a light coating of oil or grease to exposed cylinder rods to prevent them from rusting. If the unit is stored in the folded position, make sure the wing transport lock pins are installed to prevent wing frames settling *See Figure 4-4*.

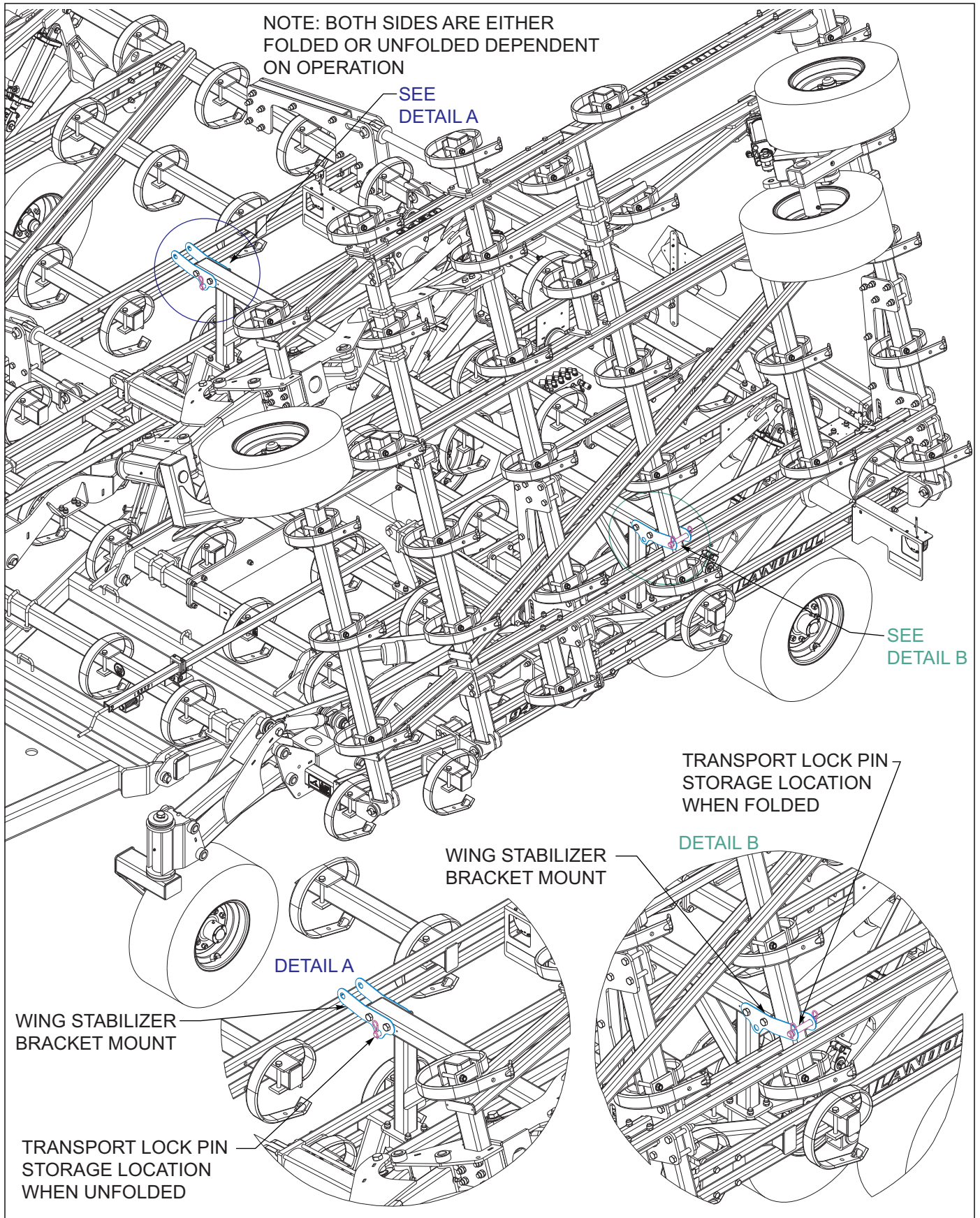


Figure 4-4: Wing Stabilizer Bracket Locks

Transporting

1. Check and follow all federal, state, and local requirements before transporting the Field Cultivator.
2. The Field Cultivator should be transported only by tractor required for field operation. The implement weight should not exceed more than 1.5 times the tractor weight. Unless noted on the implement, maximum transport speed is 20 mph for the implement and is designated on the speed identification symbol located on the front and rear of the implement *See Figure 4-5*.

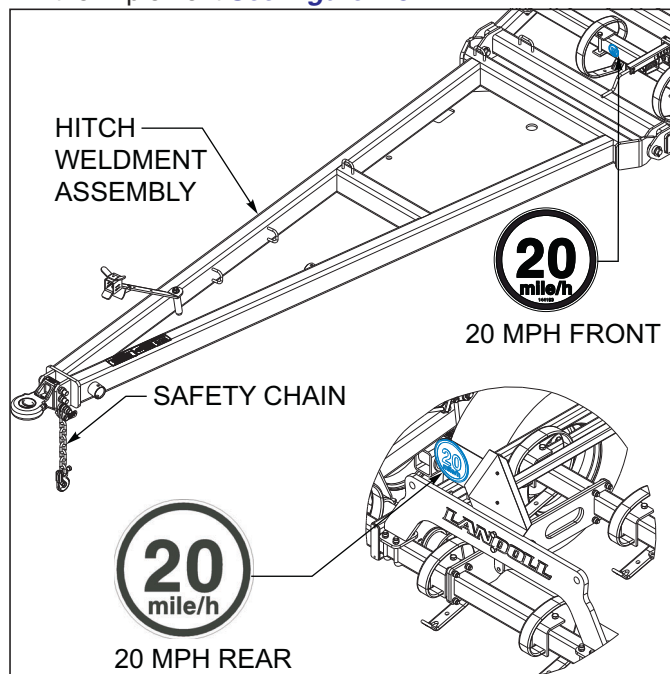


Figure 4-5: Hitch, Speed Identification Symbol, and Safety Chain

WARNING

Excessive speed may result in the loss of control of the tractor and implement, reduced braking, or failure of the implement tires or structure. Do not exceed the implement maximum specified ground speed regardless of the capability of the maximum tractor speed.

3. When towing in combination, the maximum equipment ground speed shall be limited to the lowest specified ground speed of any of the towed implements.
4. Maximum transport speed shall be the lesser of the specified in the operator's manual, speed identification symbol, information sign of the towed implement, or limit of road condition.
5. Slow down when driving on rough roads. Reduce speed when turning, or on curves and slopes to avoid tipping. Equipment altered other than the place of manufacture may reduce the maximum transport speed. Additional weights, added tanks, markers, harrow attachments, etc. may reduce the implements carrying capabilities.
6. A safety chain is provided with the implement to insure safe transport.
7. The safety chain should have a tensile strength equal to or greater than the gross weight of the implement. The chain is attached to the lower hitch clevis hole with two flat washers between the clamp plates to assure a tight connection. Always use a 1" diameter Grade 8 bolt for this connection.
8. Attach the safety chain to the tractor drawbar, refer to the tractor operator's manual for proper placement, *See Figure 4-5*. Provide only enough slack in the chain for turning. Do not use an intermediate chain support as the attaching point for the chain on the tractor. Do not pull the implement by the safety chain.
9. When unhitching from the tractor attach the hook end of the chain to a free link close to the hitch clevis for storage. This will keep the hook off the ground, reducing corrosion and keep the hook functioning properly.
10. Regularly inspect the safety chain for worn, stretched, or broken links and ends. Replace the safety chain if it is damaged or deformed in any way.

Tractor Preparation

The Landoll 9430FH Field Cultivator is designed to be pulled by tractor equipped with a double lip or clevis type hitch. If your tractor is not equipped as such, you need to purchase the hitch from your local tractor dealer. Before attaching the Field Cultivator, prepare the tractor as follows:

1. Inflate the rear tractor tires equally and add ballast according to the tractor operator's manual.
2. Lock the tractor drawbar in the center position.

Prior to Transport

1. Use a locking style hitch pin that properly fits the holes in the tractor drawbar and implement hitch.
2. Attach safety chain.
3. Plug in safety lights to the tractor seven-pin connector and verify correct operation.
4. Raise the implement parking jack and place in the field storage position.
5. Make sure all transport locks and pins are installed. Do not depend solely on implement hydraulics for transport.

6. Check that tires are of proper size, load rating, and inflated to manufacture specifications before transporting. Check wheel lug bolts to insure tightness.
7. Know the transport heights and widths of the unit before transporting. Attachments such as leveling harrows can increase the transport dimensions of the implement. Use caution when transporting near bridges and power lines.



DANGER

Stay away from power lines when transporting, extending or folding implement. Electrocutation can occur without direct contact.

8. Verify that all warning lights, SMV sign, reflectors and safety decals are clearly visible and functioning properly. Remove any obstructions such as dirt, mud, stalks or residue that restricts view before transporting.
9. Transport during daylight hours whenever possible. Always use flashing warning lights, except where such use is prohibited by law.

Leveling (Side to Side)

1. Leveling the Field Cultivator side-to-side involves leveling the center frame then leveling the wing frames to the center frame. The unit should be level side-to-side when operating in the field.
2. To level the unit, verify that all tires are properly inflated. With the implement unfolded, raise the unit to fully extend the lift cylinders. Continue to hold the tractor lever 15 seconds to insure that the cylinders are fully extended and the rephasing lift system has been purged of air. Lower the implement until the sweeps are approximately 1" off the ground. On the center frame, lay a straight-edge across the top of the frame, and measure the distance from the walking tandem spindle to the top side of the frame of both walking tandems *See Figure 4-6*. Adjust the center radius rod at the front of the Field Cultivator center frame until the spindle heights are the same.

NOTE

Initially the center frame radius rods should be set to 54" for 380/55R tires and 54-5/8" for 340/65R tires, centers before final leveling.

3. To adjust the radius rod's, loosen the 1-3/4" locking nut against the radius rod tube. Adjust the screw adjustment in or out to the desired setting. An adjusting wrench is provided to make this adjustment. It may be necessary to lower the Field Cultivator to the ground and relieve weight on the lift arms to make this adjustment. If the cultivator has been lowered for adjustments, fully raise the implement, lower to just above the ground, and re-verify measurements. Repeat as necessary and securely tighten the 1-3/4" locking nut when complete.
4. Measure the same distance on the wing frame. The wing frames are generally set 1-1/4" for 380/55R tires and 2-1/2" for 340/65R higher than the center frame due to difference in tire diameter. Adjusting the radius rod of each wing frame sets wing frame height.

NOTE

Initially the wing frame radius rods should be set to 53-1/2" centers before final leveling.

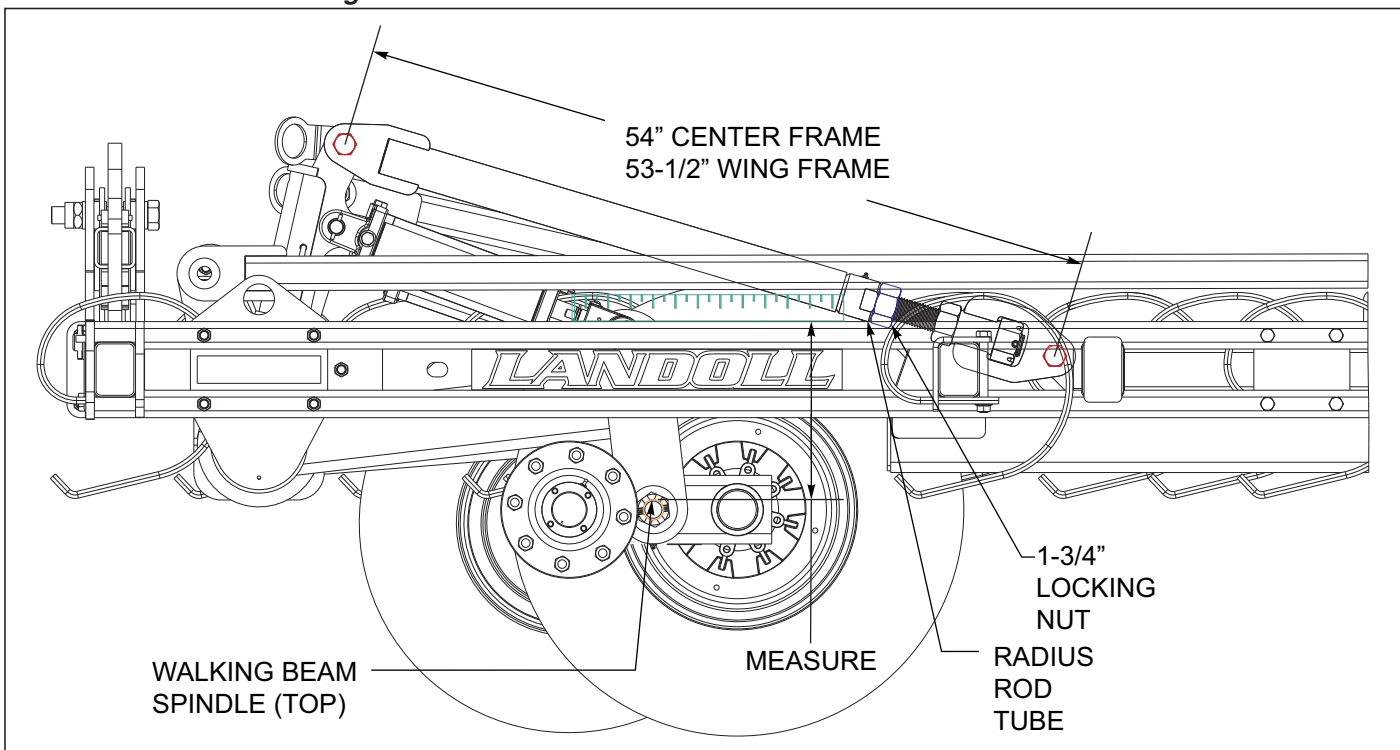


Figure 4-6: Leveling from Side to Side

9430FH Gauge Wheels

1. The front gauge wheels of the floating hitch cultivator raise and lower with center and wing lift wheels keeping the frames level during operation **See Figure 4-7**. The gauge wheels will caster while making turns with the cultivator.
2. The gauge wheels should be set level with the center frame and wings. Adjustment radius rod at the front of the cultivators is used to level the gauge wheels. To level the cultivator front-to-rear, first level the center and wing lifts side-to-side. Raise the cultivator and rephase the cylinders to make sure the system has been purged of air, then lower the cultivator until the sweeps are approximately 1" above the ground.

NOTE

Initially the front radius rods are set to 21" on center before final adjustment See Figure 4-7.

3. Measure the distance from the top of the center frame to the top of the walking beam spindle. Lay a straight edge across the top of the front two center/wing frame shank tubes. Measure from the straight edge to the top of the gauge wheel spindle. This should be 1-1/2" shorter than the center lift measurement from the top of the frame.

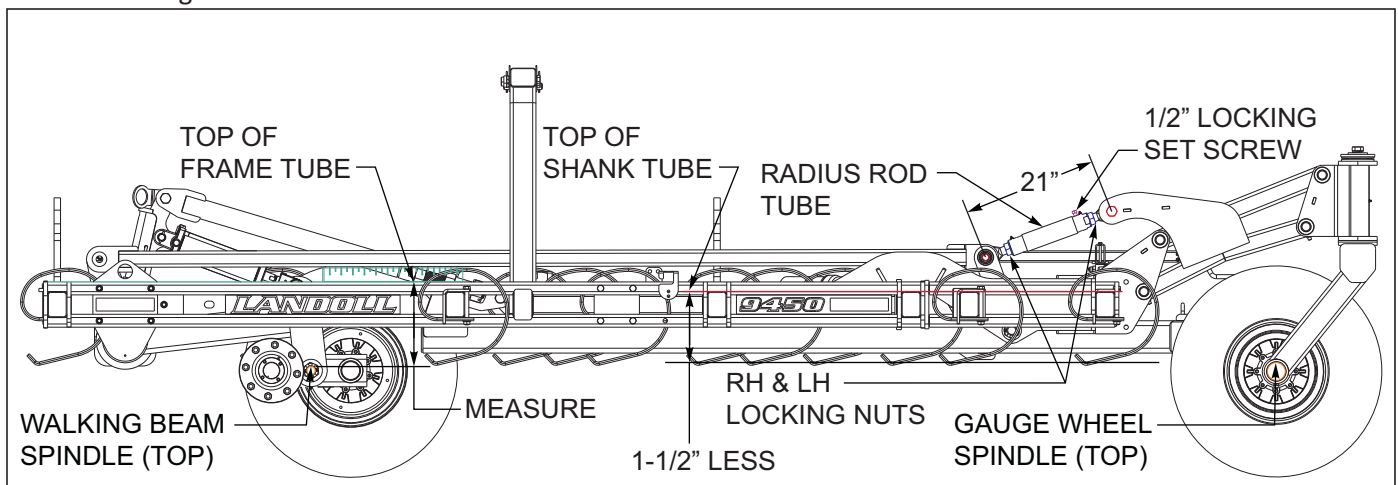


Figure 4-7: Gauge Wheel Adjustment

4. To adjust the gauge wheel radius rod, loosen both the right and left-hand threaded locking nuts. Also loosen the 1/2" locking set screw. Adjusting wrenches are provided for the locking nuts. Rotate the radius rod tube to the desired setting. Re-tighten the locking nuts and set crew.

Depth Stop Adjustment

1. The operating depth of the Field Cultivator is controlled by a single-point depth stop. The stop is located at the center front of the machine **See Figure 4-8.**
2. Adjust the depth stop by turning the handle out (counter-clockwise) to increase operating depth. Turn the handle in (clockwise) to decrease operating depth. One turn will equal approximately 3/16" adjustment in depth. The gauge on the side of the depth stop tube gives a reference for depth setting. The "A" setting refers to maximum operating depth.

IMPORTANT

For maximum operating depth, the lift wheels must be in contact with the ground and carry some of the machine weight. Raising the lift wheels off the ground, permits uncontrolled depth of each frame section.

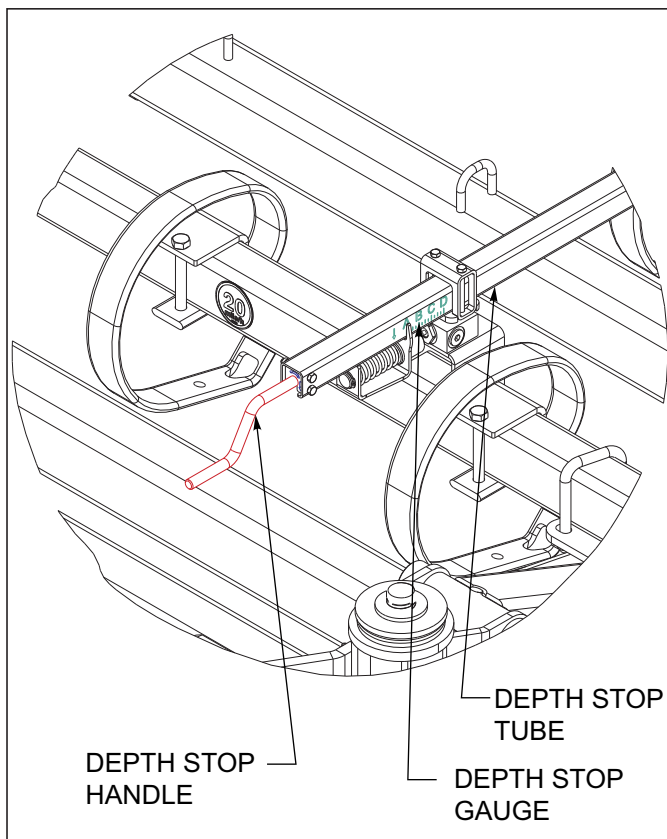


Figure 4-8: Depth Stop Adjustment

LED Light Operation

1. Attach the seven-pin plug to the socket at the rear of the tractor. The socket must be in good working order, and free of dirt, grease, and corrosion. The connection must be clean with good contact for the LED light to function properly. Fully insert the plug into the connector and make sure the latch securely hooks the plug.
2. Allow enough cable above the hitch to allow for turning. Secure or tie up any excess cable to prevent it from catching on the hitch or stalks.
3. Verify proper light function before transporting. Replace or repair any component that is damaged or not functioning. Make sure all lighting is clean and clearly visible. Follow local regulations regarding lighting & marking.

9400 Danish Tine Shank

1. The 9400 series field cultivator uses a two-piece Danish-tine shank assembly. Shanks are spaced on 4" centers, on a split-the-middle pattern. The shanks are configured on a true 6-row pattern for greater residue flow.
2. The upper shank is $\frac{1}{2}$ x 2-1/2 spring steel, with a lower stem shank formed on-edge. Shank assembly has a 26-1/2" under frame clearance.
3. The Danish-tine shank assembly accepts 2-3/4" to 4" two-hole Danish-tine sweeps. Sweep mounting holes are 40mm (1.57") centers and accepts 12mm (7/16") mounting bolts.
5. Install the lower stem through hole in the rear of the spring clamp. Use tine shank spacer(s) under the stem to eliminate any gap between the top of the stem and opening in the spring clamp. This will insure a tight connection and reduce stem movement.

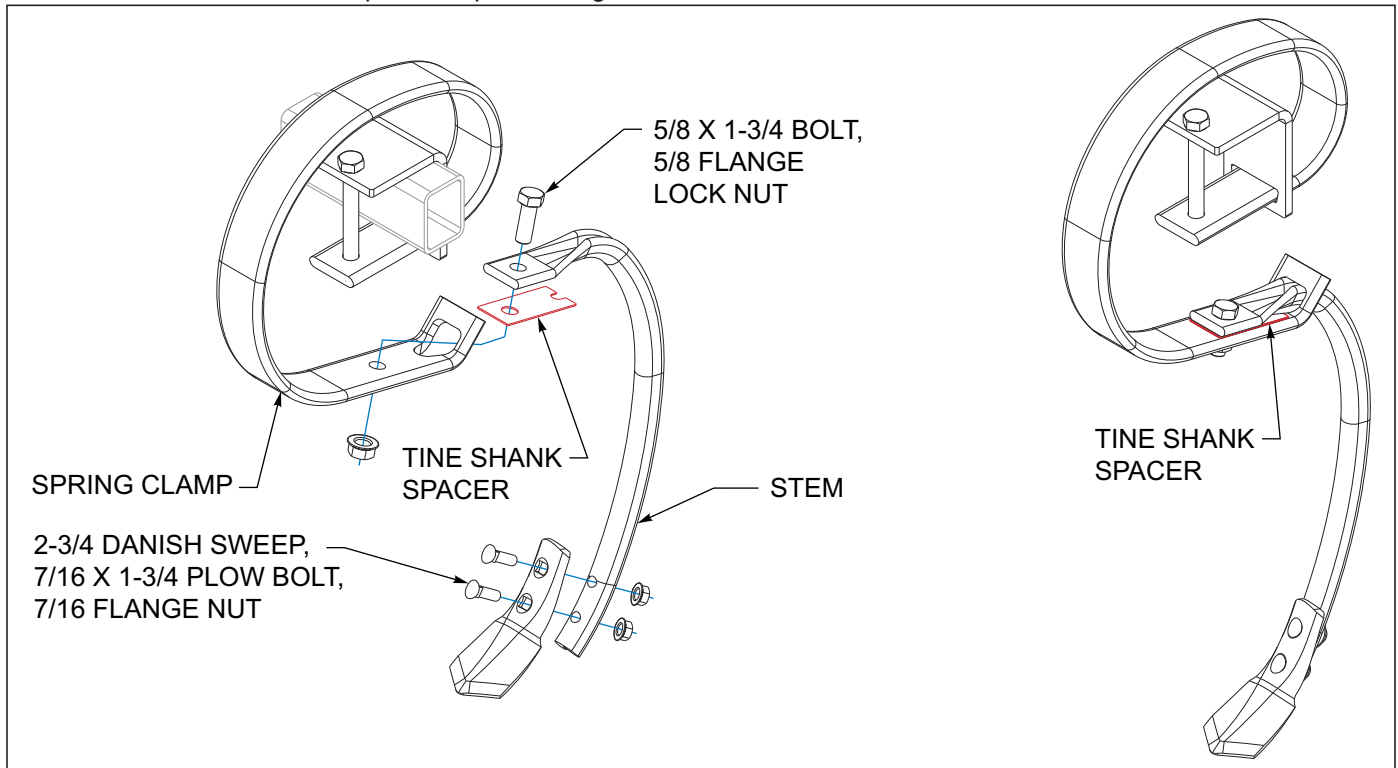


Figure 4-9: Tine Shank Spacer

General Operation

1. The horsepower requirements are typically 6-8 PTO horsepower per foot of cut for the Field Cultivator. This will vary widely due to speed, depth, moisture, residue, and types of soils. Local dealers can help in making recommendations for your areas.
2. Operating speed is typically 5-8 mph. Excessive speed can cause the unit to bounce and create uneven working depth and ridge.
3. Lift wheels must always be in contact with the ground and carrying some implement weight.
4. Avoid turning sharply with the Field Cultivator in the ground. This can put excessive side load on the shanks, harrow, and hitch. Do not turn so sharp that the shanks backup in the ground. Always raise the Field Cultivator completely when making turns or backing to prevent shank damage. Reduce speed at field ends, and raise cultivator before making turns.

3 Row Coil Tine and Reel Adjustments

1. The optional 3 row coil tine and reel attachment consists of a 3 row coil tine and finishing reel combination harrow that operate independently from each other. The 3 row coil tine reel harrow performs best in clean dry ground with minimal residue, to level, break up clods, and firm soil.
2. The 3 row coil tine harrow option has 3 rows of 7/16" diameter x 18" long spring steel tines on 16" centers with overall spacing of 2" working centers. Tine rows are on 14" centers for enhanced residue flow. Tine tooth angle is also adjustable for each tine bar end section. Each harrow section is mounted with two arms with spring-loaded down pressure. Tine teeth may individually rotate freely backward if needed for backup protection



WARNING

Know and verify actual implement height and width before transporting. Attachments may increase the overall height and width of the implement. Use caution when transporting near power lines. Electrocutation can occur without direct contact.

3. In general tine harrows have better capabilities for handling more residue and wetter conditions. When operating the coil tine harrow, a more vertical tine tooth angle will make the harrow more aggressive. A lower/flatter tine angle will make the harrow less aggressive but will handle more residue and wetter conditions. To change the tine angle, raise the harrow off the ground. Remove the harrow pin from both angle adjustment tubes per tine gang bar tube **See Figure 4-10**. Rotate the angle adjustment tubes forward (less aggressive) or rearward (more aggressive) and reinstall both spring clip pins. Repeat the tine adjustment for each tine gang bar tube and harrow section.

4. Each coil tine harrow may be adjusted for spring pressure as well **See Figure 4-10**. Raise the tine harrow off the ground. Adjust the spring pressure the same for both harrow arms on each section. Remove the clevis pin from the spring tube and install in a heavy or light setting as needed. **Excessive spring pressure and tine angle can overload harrow spring.**

NOTE

The tine teeth will hang straight down when the implement is raised, and the tines will be slightly lower than the sweeps.

5. To adjust the reel height, loosen the locking hex nut against the threaded spring end **See Figure 4-10**.
6. Raise or lower the reel by turning the head of the spring bolt, and then re-tighten the locking nut against the spring end. Initially set the bottom of the reel even with the bottom of the sweeps. In lighter or wet soils, you may need to raise the reels slightly above the sweeps. Setting the reels too low may cause the reels to plug or push dirt. Excessive reel depth/down pressure may hold the rear of the field cultivator out of the ground.
7. Reels are equipped with maintenance-free bearings.

TABLE OF CONTENTS

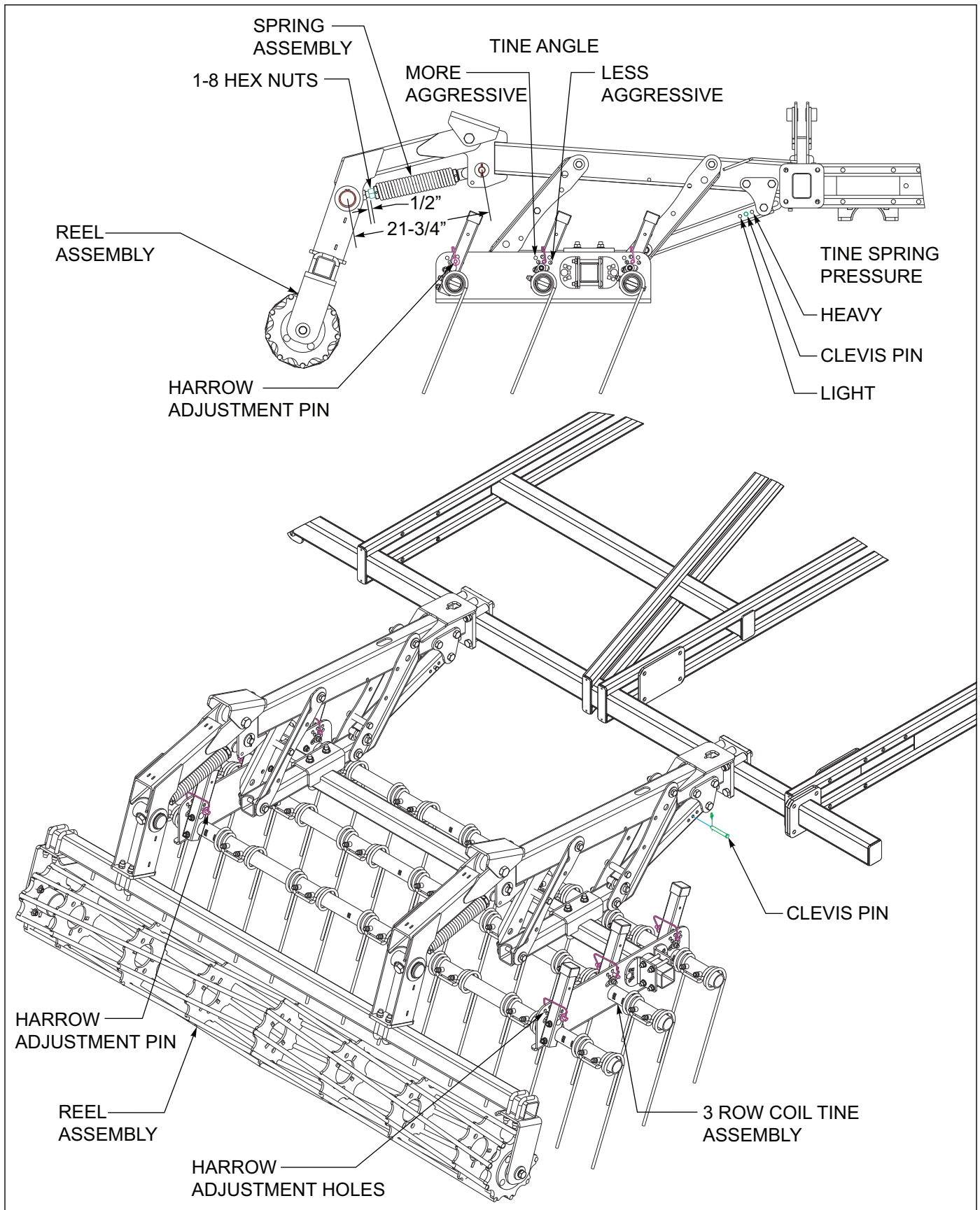


Figure 4-10: 3 Row Coil Tine and Reel Adjustments

3 Row Spike and Reel Adjustments

1. The optional 3 row spike and reel attachment consists of a 3 row spike and finishing reel combination harrow that operate independently from each other. The 3 row spike reel harrow performs best in clean dry ground with minimal residue, to level, break up clods, and firm soil.



WARNING

Know and verify actual implement height and width before transporting. Attachments may increase the overall height and width of the implement. Use caution when transporting near power lines. Electrocution can occur without direct contact.

2. The 3 row spike consists of 3 rows of 3/4" x 14" long spike teeth, spaced on 9" centers. The spike teeth effectively work on 3.6" centers. Rank spacing for the angle iron bars is 14". Angle iron bars are able to float over contours and have backup protection. Spike tooth angle has a three position adjustment to either stand the teeth up for more aggressive action, or to lay the teeth down for less aggressiveness and better residue clearance.
3. For the most aggressive spike tooth action, install the harrow adjustment pin in the forward mounting hole over each bar clamp for each spike bar *See Figure 4-11*. This will position the spike teeth to be in the most vertical position. In wetter or conditions with some residue, lower the spike tooth angle by positioning the harrow adjustment pin in the middle or rear hole. This will allow the teeth to lay flatter and shed more residue.
4. The forward pull chain will also influence how the 3 row spike operates as well. A taller pull point and shorter adjusted pull chain can help to start residue through the harrow. A lower pull point with a longer adjusted pull chain will help the entire harrow to run flatter from front-to-rear, and be more aggressive for increased leveling. When adjusting the pull chain, insert the desired pulling link through the slotted hole in the pull chain bracket, and install a lynch pin thru the link to secure the chain in place. Make sure the pull chains are set evenly for each section. Also do not extend the pull chain out so far that the vertical carrying chains are pulling the harrow through the field, or that the spike harrow gets into the reel.

5. The 12" diameter reel consists of nine 3/4" diameter round bars with a chevron shape for smoother rotation. The reels have no inner shaft to reduce plugging in wetter conditions. The reels operate independently of the 3 row spike with two spring loaded arms per reel to maintain consistent down pressure.
6. To adjust the reel height, loosen the locking hex nut against the threaded spring end.
7. Raise or lower the reel by turning the head of the spring bolt, and then re-tighten the locking nut against the spring end. Initially set the bottom of the reel even with the bottom of the sweeps. In lighter or wet soils, you may need to raise the reels slightly above the sweeps. Setting the reels too low may cause the reels to plug or push dirt. Excessive reel depth/down pressure may hold the rear of the field cultivator out of the ground.
8. Reels are equipped with maintenance-free bearings.

TABLE OF CONTENTS

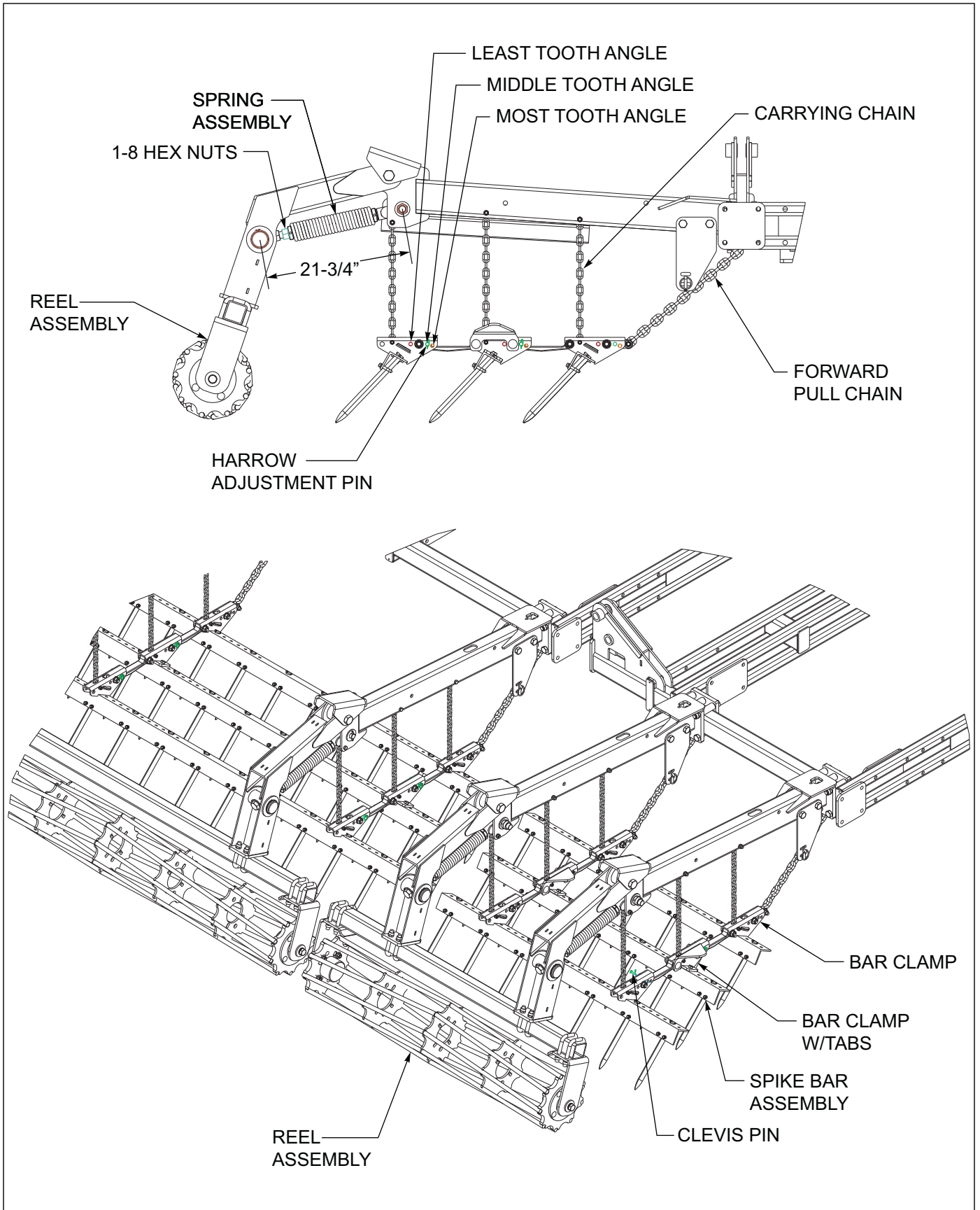


Figure 4-11: 3 Row Spike and Reel Adjustments

2RS DBL Flat Reel Adjustments

1. The optional 2 row spike and reel attachment consists of a 2 row spike and double finishing reel combination harrow that operate independently from each other. The 2 row spike reel harrow performs best in clean dry ground with minimal residue, to level, break up clods, and firm soil.



WARNING

Know and verify actual implement height and width before transporting. Attachments may increase the overall height and width of the implement. Use caution when transporting near power lines. Electrocution can occur without direct contact.

2. The 2 row spike consists of 2 rows of 3/4" x 14" long spike teeth, spaced on 8" centers. The spike teeth effectively work on 4" centers. Rank spacing for the angle iron bars is 14". Angle iron bars are able to float over contours and have backup protection. Spike tooth angle has a three position adjustment to either stand the teeth up for more aggressive action, or to lay the teeth down for less aggressiveness and better residue clearance.
3. For the most aggressive spike tooth action, install the harrow adjustment pin in the forward mounting hole over each bar clamp for each spike bar **See Figure 4-12**. This will position the spike teeth to be in the most vertical position. In wetter or conditions with some residue, lower the spike tooth angle by positioning the harrow adjustment pin in the middle or rear hole. This will allow the teeth to lay flatter and shed more residue.
4. The forward pull chain will also influence how the 2 row spike operates as well. A taller pull point and shorter adjusted pull chain can help to start residue through the harrow. A lower pull point with a longer adjusted pull chain will help the entire harrow to run flatter from front-to-rear, and be more aggressive for increased leveling. When adjusting the pull chain, insert the desired pulling link through the slotted hole in the pull chain bracket, and install a lynch pin thru the link to secure the chain in place. Make sure the pull chains are set evenly for each section. Also do not extend the pull chain out so far that the vertical carrying chains are pulling the harrow through the field, or that the spike harrow gets into the reel.
5. The double reels are assembled with the front reel blades angled forward for more aggressive action. To mix and break clods, the rear reel blades are angle rearward for more of a firming action.
6. Initially set the reel spring to the 21" dimensions as shown **See Figure 4-12**. Reels should be approximately even with the bottom of the sweeps. Operating the reels too low will cause the reels to push or plug. Excessive down pressure can hold the rear of the machine out of the ground. If operating in loose or sandy soil, may need to raise the reels to prevent pushing.

TABLE OF CONTENTS

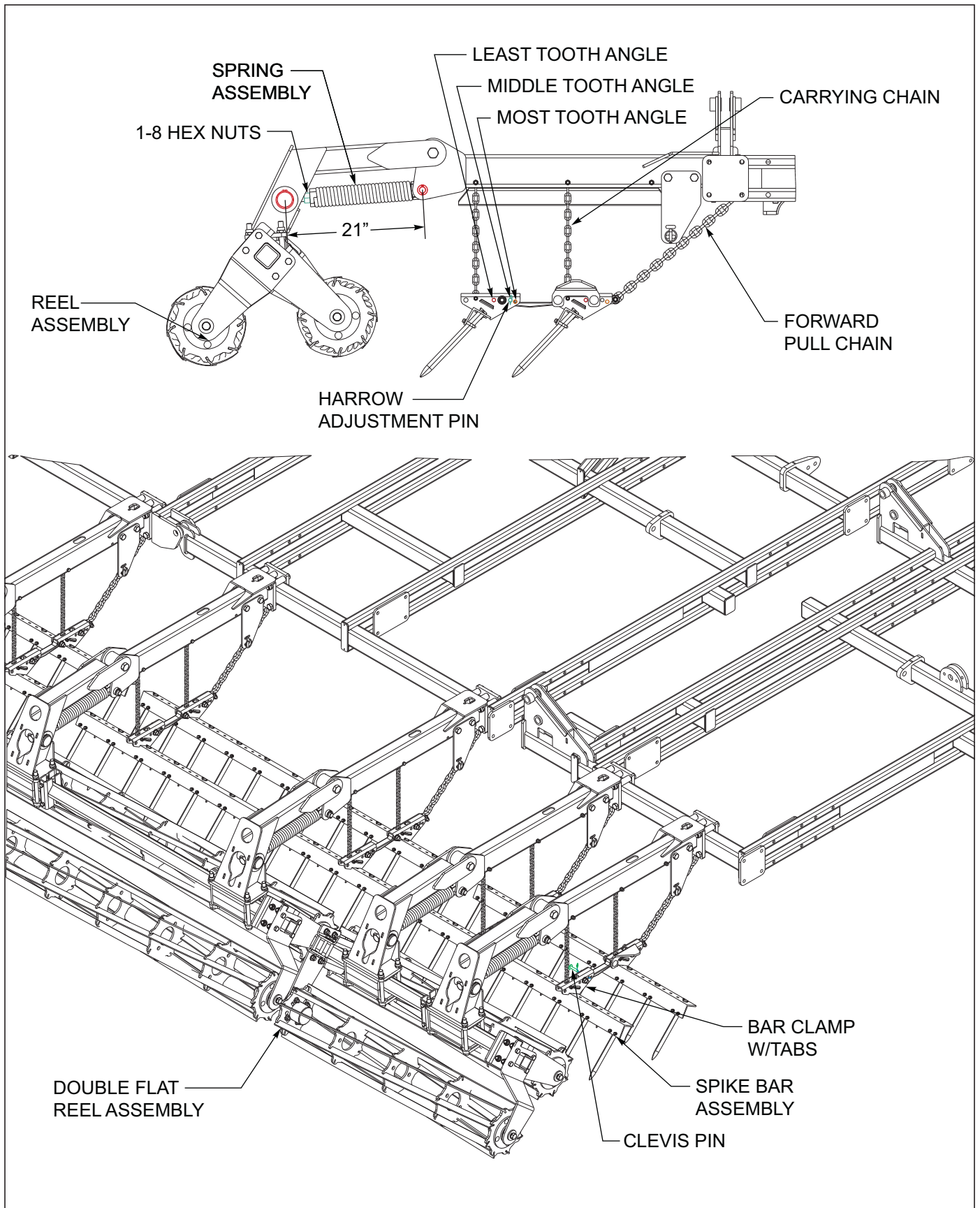


Figure 4-12: 2RS DBL Flat Reel Adjustments

Maintenance and Lubrication

Wheel Bearing Maintenance – Non Triple-Lip

Transport tires use a self-contained seal with multiple lips. The seal fits tight on both the spindle and wheel hub. The seal when properly installed will rotate internally and freely. This seal is will also allow grease to pass when lubricating the hub.

Wheel bearing maintenance should be performed at the beginning of every season of use. Check the wheel bearings periodically for excessive end play. If needed, adjust or replace them using the following procedure:

1. Place the frame on blocks or stands sufficiently to lift the tire clear of the ground.
2. Remove the tire.
3. Remove the dust cap, gasket, cotter pin, slotted nut, and washer.
4. Remove the hub assembly from the spindle. Clean and inspect the bearings and hub cavity. Replace any worn or defective parts.
5. Repack the bearings using a high-quality wheel bearing grease.
6. Install the inner bearing into the hub and install the grease seal. Use a driver to install the seal, to avoid damaging the outer edge of the seal. Drive the seal squarely into the hub to avoid any seal distortion.
7. Slide the hub, bearing, and seal onto a clean spindle
8. Install the outer bearing, washer, and slotted nut.
9. Tighten the slotted nut while rotating the hub until there is a slight resistance to hub rotation. Then back the slotted nut off one notch, until the hub rotates freely without end play.
10. Install the cotter pin, dust cap and gasket *See Figure 5-1.*

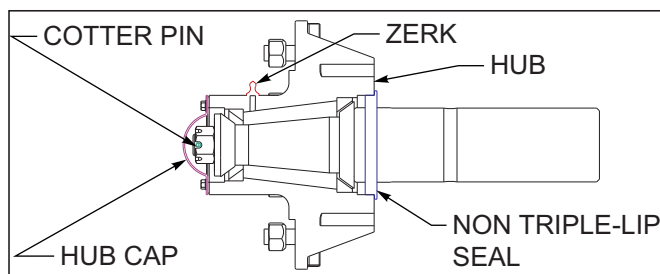


Figure 5-1: Non-Triple Lip-Seal

Wheel Bearing Maintenance -- Triple-Lip

Wheel bearing maintenance should be performed at the beginning of every season of use. Check the wheel bearings periodically for excessive end play. If needed, adjust or replace them using the following procedure:

1. Place the frame on blocks or stands sufficient to lift the tire clear of the ground.
2. Remove the tire.
3. Remove the hub cap, cotter pin, slotted nut and washer.
4. Remove the hub. Clean and inspect the bearings and hub cavity. Replace any worn or defective parts.
5. Repack the bearings using a high-quality wheel bearing grease.
6. Slide the triple-lip seal onto the spindle. Do not install the seal into the hub.
7. Slide the inner bearing cone and hub onto the spindle.
8. Install the outer bearing cone, washer and slotted nut.
9. Tighten the slotted nut while rotating the hub until there is a slight resistance to wheel rotation. Then, back the slotted nut off one notch, until the wheel rotates freely without end play.
10. Slide the triple-lip seal to the hub and install the seal in the hub.

The triple-lip seals should point away from the hub to keep contaminants out and allow grease to pass See Figure 5-2.

11. Install a new cotter pin and replace the hub cap. *See Figure 5-2.*

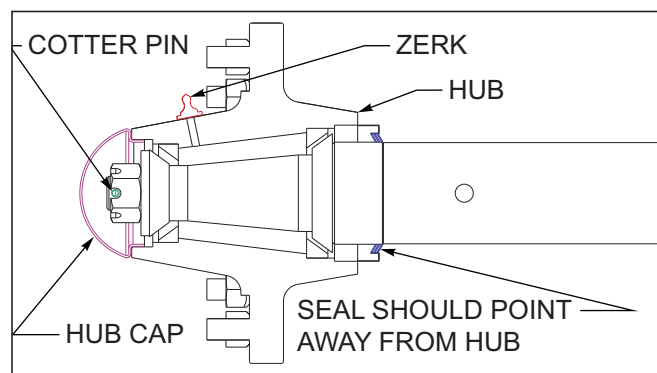


Figure 5-2: Triple Lip-Seal

Lubrication

1. A proper maintenance schedule will insure a long operating life and peak performance. Performing the following lubrication will ensure maximum operating life of the Field Cultivator **See Table 5-1 and See Figure 5-3.**
2. When lubricating the Field Cultivator, SAE multi-purpose EP grease, or EP grease with 3-5% molybdenum sulfide is recommended. Wipe soil from

fittings before greasing. Replace any lost or broken fittings immediately.

3. Wheel seals, when properly installed, will allow grease to pass without harm to seals. Regular lubrication will extend service life, particularly in severe operating conditions.
4. The Field Cultivator is equipped with maintenance-free bearings in the wheel lifts, and wing hinges. These areas require no lubrication.

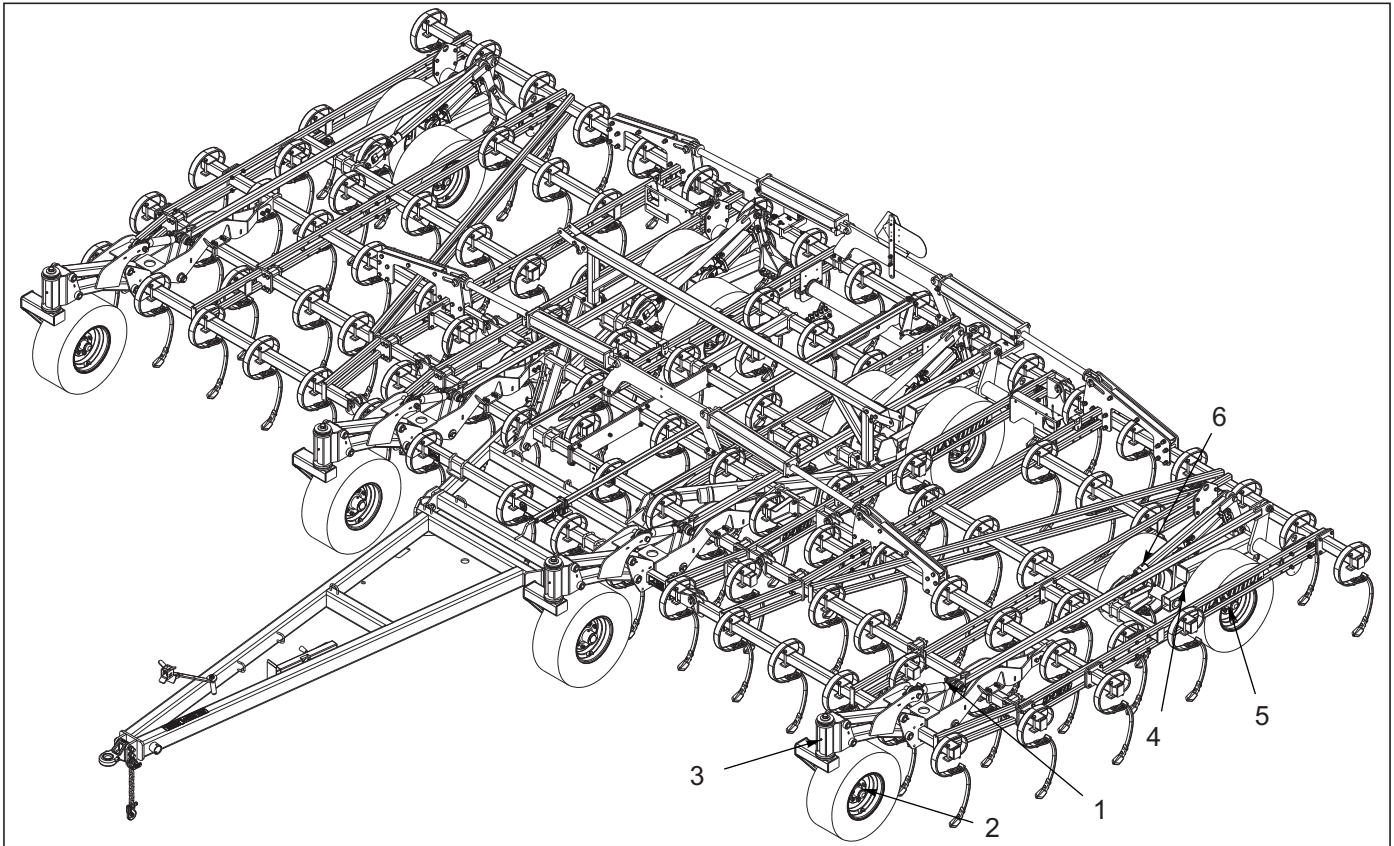


Figure 5-3: Lubrication Points

LUBRICATION TABLE			
ITEM	DESCRIPTION	NO. OF LUBE POINTS	INTERVAL (Hours Unless Stated)
1	Gauge Wheel Radius Rod	1 each	50
2	Gauge Wheel Hubs	1 each	50
3	Gauge Wheel Weldment Hubs	1 each	50
4	Walking Beam	1 each	50
5	Lift Hubs	1 each	50
6	Lift Radius Rod	1 each	50

Lube all points with high grade multi-purpose grease.

Table 5-1: Lubrication Table

Storage

1. The service life of the Field Cultivator will be extended by proper off-season storage practices. Prior to storing the unit, complete the following procedures:
 - a. Completely clean the unit.
 - b. Inspect the machine for worn or defective parts. Replace as needed.
 - c. Repaint all areas where the original paint film is worn off.
 - d. Grease all exposed metal surfaces of shanks, points.
 - e. Lubricate each point of the machine as stated in ***“Lubrication” on page 5-2.***
 - f. Store the unit in a shed or under a tarpaulin to protect it from the weather. The ground tools and tires should rest on boards, or some other object, to keep them out of the soil ***See Section 7, “Hydraulic Fold System” on page 4-4 .***

Troubleshooting Guide

The Troubleshooting Guide, shown below, is included to help you quickly locate problems that can happen using your 9430FH Field Cultivator. Follow all safety precautions stated in the previous sections when making any adjustments to your machine.

PROBLEM	PROBABLE CAUSE	SOLUTION
FIELD NOT LEVEL BEHIND FIELD CULTIVATOR	Wing(s) not level with center frame	Hydraulic lift cylinders out of phase. Raise field cultivator and hold hydraulic lever until all lift cylinders are completely extended.
		Fully extend all wing fold cylinders to allow wings to flex over uneven ground
		Level machine side-to-side, by adjusting wing lift arms, so wing frames operate same depth as center frame.
	Hydraulic cylinder leaking	Repair cylinder.
	Unit not level front-to-rear	Adjust gauge wheel radius rod to level unit.
	Harrow improperly set	Adjust all harrow sections to operate the same depth
Increase harrow depth or increase tine/tooth angle to be more aggressive.		
UNEVEN DEPTH	Wing(s) not level with center frame	Level center frame side to side
		Level wing frames to center frame
		Lift cylinders not in phase. Fully extend lift cylinders and hold hydraulic lever until all cylinders are fully extended
		Lift wheels not carrying enough weight, adjust depth stop and raise implement
		Fold cylinders not fully extended to allow wings to flex
	Incorrect tire pressure	Tire pressure too low, check inflation
Unit not level front-to-rear	Unit not level front to rear	
UNIT TRACKS TO ONE SIDE	Wing(s) not level with center frame	Level unit side to side
	Unit not level front-to-rear	Adjust gauge wheels
	Hydraulic cylinder leaking	Repair cylinder.
	Gauge wheels improperly set	Gauge wheels too high or not evenly across machine
UNIT BOUNCES IN THE FIELD	Operating too fast	Typical operating speed 5-8 mph
	Conditions too rough for speed	Make two passes if necessary
SHANKS PLUG WITH RESIDUE	Shanks not positioned correctly	Check for proper shank placement
	Shank extensions not installed on spring shanks	Check for proper shank placement
SWEEPS NOT CUTTING, LEAVING SKIPS	Shanks not positioned correctly	Check for proper shank placement
	Sweeps not wide enough	Use wider sweeps
	Sweeps set too shallow	Increase operating depth
	Incorrect sweep angle	Use 47 degree sweeps
	Incorrect shank spring adjustment	Adjust spring shank.
	Bent/broken/loose shank or sweep	Repair shank or sweep

TABLE OF CONTENTS

PROBLEM	PROBABLE CAUSE	SOLUTION
WINGS FOLD TOO FAST	Restrictors not properly installed in cylinders	Black restrictor fittings should be in both ends of outer fold cylinders and rod end of inner fold cylinders.
HYDRAULIC - LIFT CYLINDERS NOT FULLY EXTENDING	Lift cylinders not in phase.	Fully extend cylinders and hold hydraulic lever until all cylinders are fully extended
	Cylinders not installed in proper series.	Cylinders not installed in proper series. Wing cylinders are smaller diameter than center cylinders
	Center frame not level side-to-side	Adjust cylinder Bent center lift
	Hoses not properly connected	Check hose routing
HYDRAULIC - ENTIRE UNIT SETTLING	Tractor valve leaking	Unplug unit from tractor, and check if unit still settling
	Bad fitting/hose	Repair fitting/hose
HYDRAULIC - UNIT SETTLING, ONE WING RAISING	Center frame cylinder leaking internally on side of unit that wing is raising.	Repair center frame master cylinder.
HYDRAULIC - WING SETTLING	Wing cylinder leaking	Repair wing cylinder
HYDRAULIC - UNIT WILL NOT FOLD/UNFOLD	Bad Couplers	Replace hydraulic couplers
	Tractor valve not Working	Try a different known working valve
HYDRAULIC - DEPTH CONTROL VALVE NOT WORKING	Hydraulic hoses not properly connected	Check hose connections
	Depth stop contacts depth control valve, but does not shut off oil.	Valve plumbed incorrectly Valve leaking internally.
	Implement raises, but will not lower	Valve or manifold plumbed incorrectly
WHEEL BEARING FAILURE	Seals not properly installed	Triple-lip seals should be installed with lips pointing outward away from the hub.
HARROW PLUGS WITH RESIDUE	Harrow set too aggressive	Reduce tine/tooth angle to allow residue to flow thru harrow
	Harrow spring pressure excessive	Harrow operating too deep, reduce spring pressure/raise harrow.
HARROW REELS PLUGGING	Excessive down pressure	Reels operating too deep, reduce spring pressure/raise harrow.
HARROW REELS WILL NOT TURN OR PUSH SOIL	Depth set too deep for loose or wet conditions	Adjust reel operating depth
	Reel bearing failure	Repair reel bearing.

Document Control Revision Log:

Date	Form #	Improvement(s): Description and Comments
10/07/2022	F-1136	New Manual
01/10/2023	F-1136-0123	Initial Release



Intertek

Equipment from Landoll Company, LLC is built to exacting standards ensured by ISO 9001 registration at all Landoll manufacturing facilities.

Model 9430FH

Field Cultivator

Operators Manual

Re-Order Part Number F-1136

LANDOLL COMPANY, LLC

1900 North Street

Marysville, Kansas 66508

(785) 562-5381

800-428-5655 ~ WWW.LANDOLL.COM



Copyright 2023. Landoll Company, LLC

“All rights reserved, including the right to reproduce this material or portions thereof in any form.”

