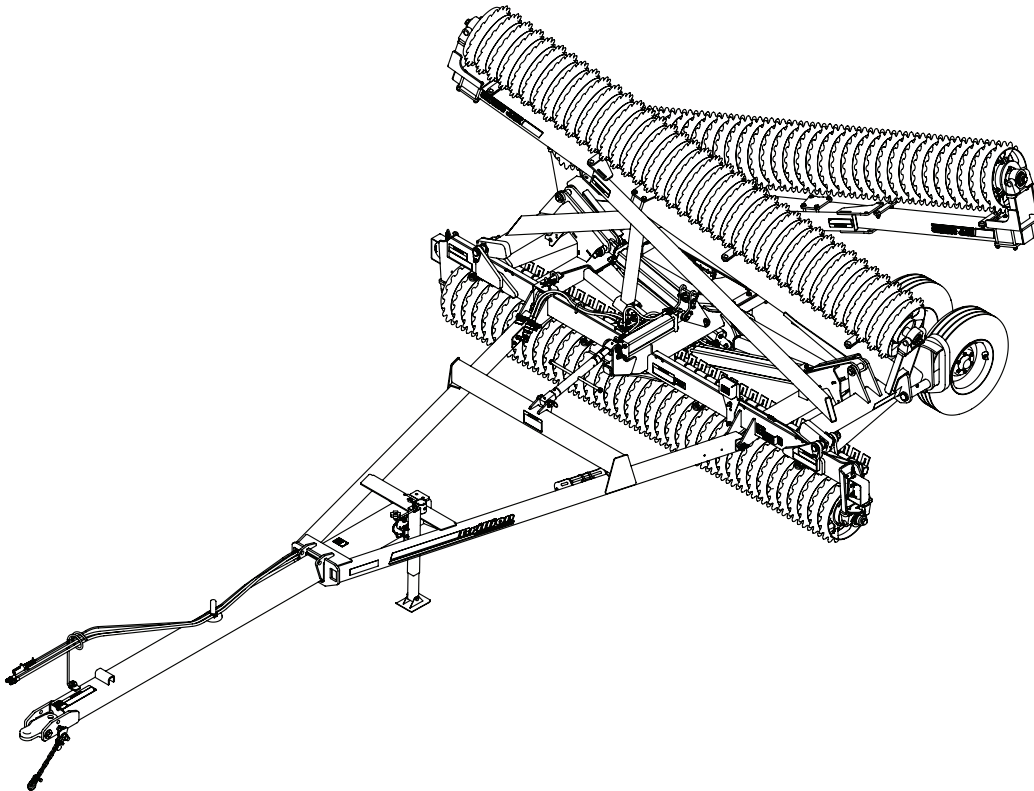




Wing Float Pulverizer Models WFP23-37 Parts Manual



LANDOLL COMPANY, LLC

1900 North Street

Marysville, Kansas 66508

(785) 562-5381

800-428-5655 ~ WWW.LANDOLL.COM

Manuals for WFP23-37 Wing Float Pulverizers

Manual Number	Manual Type
F-1108	Operator's Manual
F-1109	Parts Manual

Table of Contents

1 Illustrated Parts List

Instructions for Ordering Parts	1-1
Transport Axle	1-2
Center Frame Assembly	1-4
Transport Axle Assembly	1-6
Hub and Spindle Assembly	1-7
Tire and Wheel Assembly	1-8
Drawbar to Frame	1-10
Turnbuckle Assembly	1-11
Telescoping Drawbar	1-12
Rigid Drawbar	1-14
Wing Hinge	1-16
Wing Frame Assembly - Right Hand	1-18
Wing Frame Assembly - Left Hand	1-19
Wing Rest - WFP23-29	1-20
Wing Rest - WFP31-37	1-22
Center Frame Roller	1-24
Wing Frame Roller	1-26
Disc Bearing Assembly	1-28
Roller Axle Assemblies, Notched Ductile	1-29
Roller Axle Assemblies, Crowfoot	1-30
Roller Axle Assemblies, Optimizer, WFP23-27	1-32
Roller Axle Assemblies, Optimizer, WFP29-37	1-33
Scraper Kit - Optional	1-34
Hydraulic Layout	1-38
Hydraulic Schematic	1-40
Electrical Layout and SMV	1-42
Electrical Schematic	1-44
Acre Meter Kit - Optional	1-46
Acre Meter Assembly - Optional	1-48
Float Lock Kit - Optional	1-49
Clamp End Spacer Kits, 1/2" and 3/4" - Optional	1-50
Clamp End Spacer Kits, 1", 1-1/4" and 1-1/2" - Optional	1-51
Hydraulic Top Link Kit - Optional	1-52
Hydraulic Cylinder, 4 x 12 with Trunnion End	1-53
Hydraulic Cylinder, 4 x 12 - Prince	1-54
Hydraulic Cylinder, 4 x 16 - Lion	1-55
Hydraulic Cylinder, 4 x 16 - Prince	1-56

Hydraulic Cylinder, 4 x 36 (WFP23-29 Models Only)	1-57
Hydraulic Cylinder, 4 1/2 x 36 (WFP31-37 Models Only)	1-58
Decals	1-60
Decal Locations	1-62

2 Glossary

3 Index

Illustrated Parts List

Instructions for Ordering Parts

**** Repair parts must be ordered through an authorized dealer ****

DEALER INSTRUCTIONS FOR ORDERING PARTS FROM LANDOLL PARTS DISTRIBUTION CENTER

PHONE #: 800-423-4320 OR 785-562-5381

FAX #: 888-527-3909

ORDER ONLINE: Dealer.landoll.com

DATA PLATE

The Data Plate lists the model and serial number of the equipment. It is located on the right side of the Wing Float Pulverizer.

SERIAL NUMBER NOMENCLATURE

The following information will help decode the Landoll serial number.

PXB20210100 = xxmysssss

xx	= model series (i.e. "PX" for all Pulverizers)
m	= month of manufacture (ex. "B" means February. The letter I is not used.)
yy	= last digits of the year manufactured (ex. "21" means 2021)
sssss	= Sequential number used to track warranty and service information.

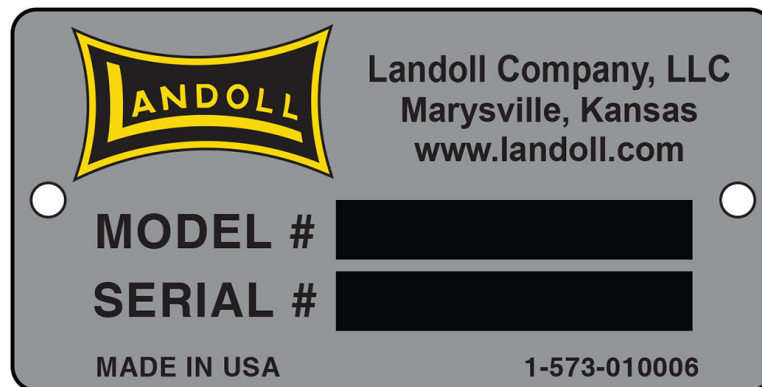


Figure 1-1: Data Plate

Manuals for WFP23-27 Wing Float Pulverizers

Manual Number	Manual Type
F-1108	Operator's Manual
F-1109	Parts Manual

Transport Axle

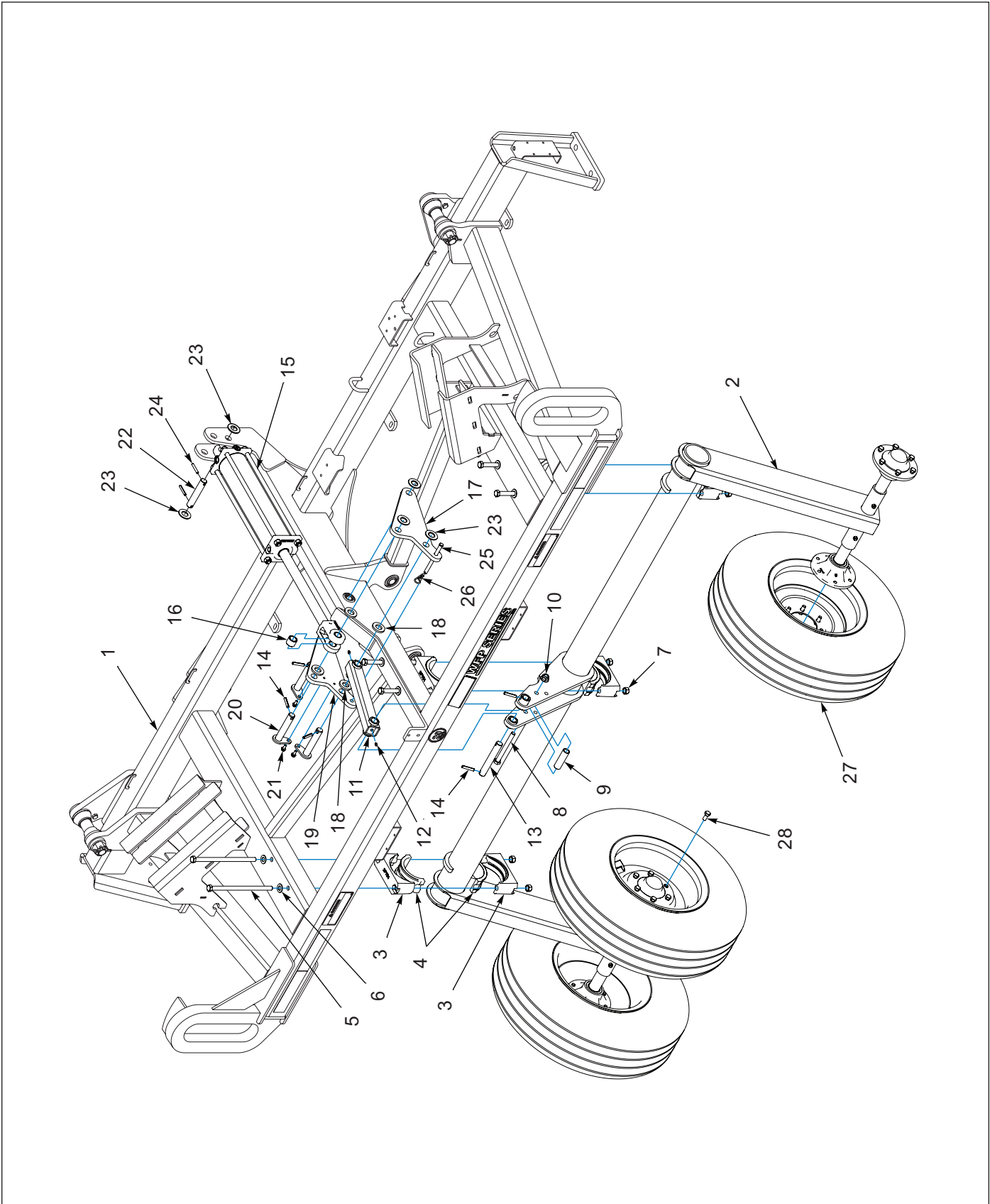


Figure 1-2: Transport Axle

Transport Axle

ITEM	PART NUMBER	DESCRIPTION	QTY
1	222857	FRAME, WFP23-37 CENTER ASM (SEE PAGE 1-4)	1
2	2P996	TRANSPORT AXLE ASM (SEE PAGE 1-6)	1
3	2P794	BRG HALF, 4-1/2 INSERT	6
4	2P793	BRG INSERT, 4-1/2 INSERT	6
5	101387	SCREW, HX CP 5/8-11UNC X 11-1/2	6
6	1-861-010032-18	WASHER, FLAT 5/8 N, ZP/CD	6
7	1-512-010005-13	NUT, HEX SLFLKG GRB 5/8-11	6
8	1-654-010059-17	SCREW, HX CP, 5/8-11UNC X 6, GR5	1
9	9J112	SPACER (TUBE, RND 0.824 X 1.05 X 3.5)	1
10	2P254	NUT, FLANGE NY-LOK 5/8-11	1
11	2P858	LINK, TOGGLE WLD (INCLUDES ITEM 12)	1
12	5000	ZERK FITTING 1/8NPT	2
13	2P825	PIN, 1.0 X 6.75 H2	1
14	1-647-010004255	PIN, SPRING, SLOTTED 3/8 X 2	5
15	9D731	HYD CYLINDER - 4 X 16 (SEE PAGE 1-55)(SEE PAGE 1-56)	1
16	9J278	SPACER	1
17	2P410	LINK, TOGGLE	1
18	173359	WASHER, FLAT, 1.063 X 2 X 1/4, ZP	4
19	2P864	LINK, TOGGLE W/TAP	1
20	171876	PIN, 1" W/KEEPER WELD	3
21	144268	SCREW 5/16-18UNCX3/4FLG HD ZP	3
22	5J768	PIN (1.0 X 5.50 H2)	1
23	1-861-010032-24	WASHER, FL 1IN NARROW, ZP	5
24	147072	PIN, SPRING SLOTTED 5/16 X 2	2
25	9J437	CLEVIS PIN, 1/2 X 6	1
26	4C856	HAIR PIN COTTER (5/32)	1
27	6K921	WHEEL 8J791/NO TUBE/6D312 (SEE PAGE 1-8)	4
28	5C100	WHEEL BOLT 1/2-20 X 1 GR5, ZP	24

Center Frame Assembly

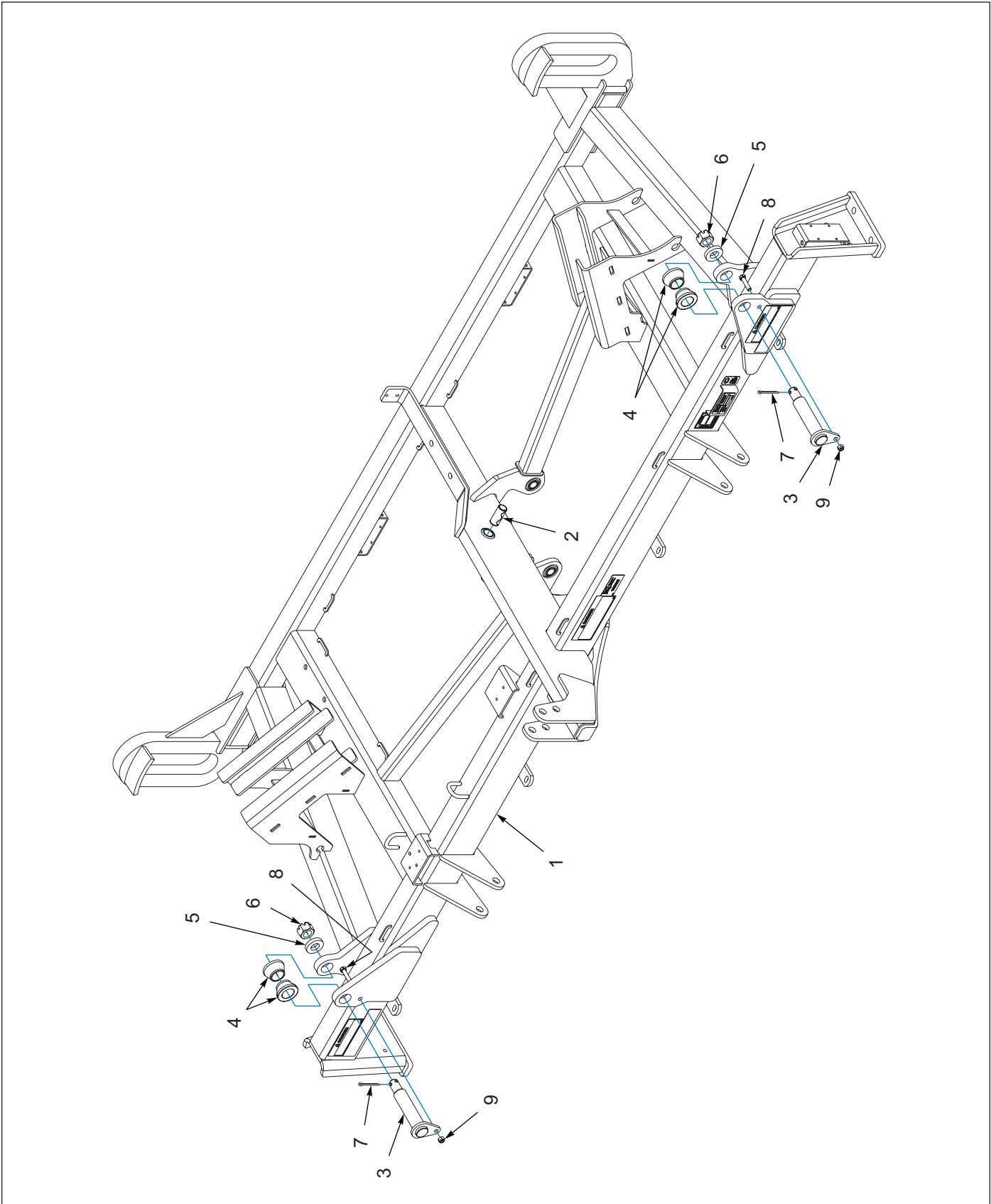


Figure 1-3: Center Frame Assembly

Center Frame Assembly

ITEM	PART NUMBER	DESCRIPTION	QTY
	222857	FRAME,WFP23-37 CENTER ASM	1
1	-----	FRAME,WFP23-37 CENTER (NOT SOLD SEPERATELY)	1
2	164144	BUSHING,SPRING1-1/4X1X2-15/16	1
3	200862	PIN WLD, 1-3/4 THREADED	2
4	200858	SPACER 1-3/4 ID X 1-1/2	4
5	188049	WASHER, 1.28X2.5X0.5	2
6	2P744	NUT,HEX SLOT THK 1-1/4-12,YZP	2
7	1-557-010362-65	PIN COTTER, 1/4X2-1/2 ZP	2
8	169690	SCREW HXCP1/2-13UNCX2-1/4 G5	2
9	1-512-010005-09	NUT,HEX,SLFLKG, 1/2-13 GRB	2

Transport Axle Assembly

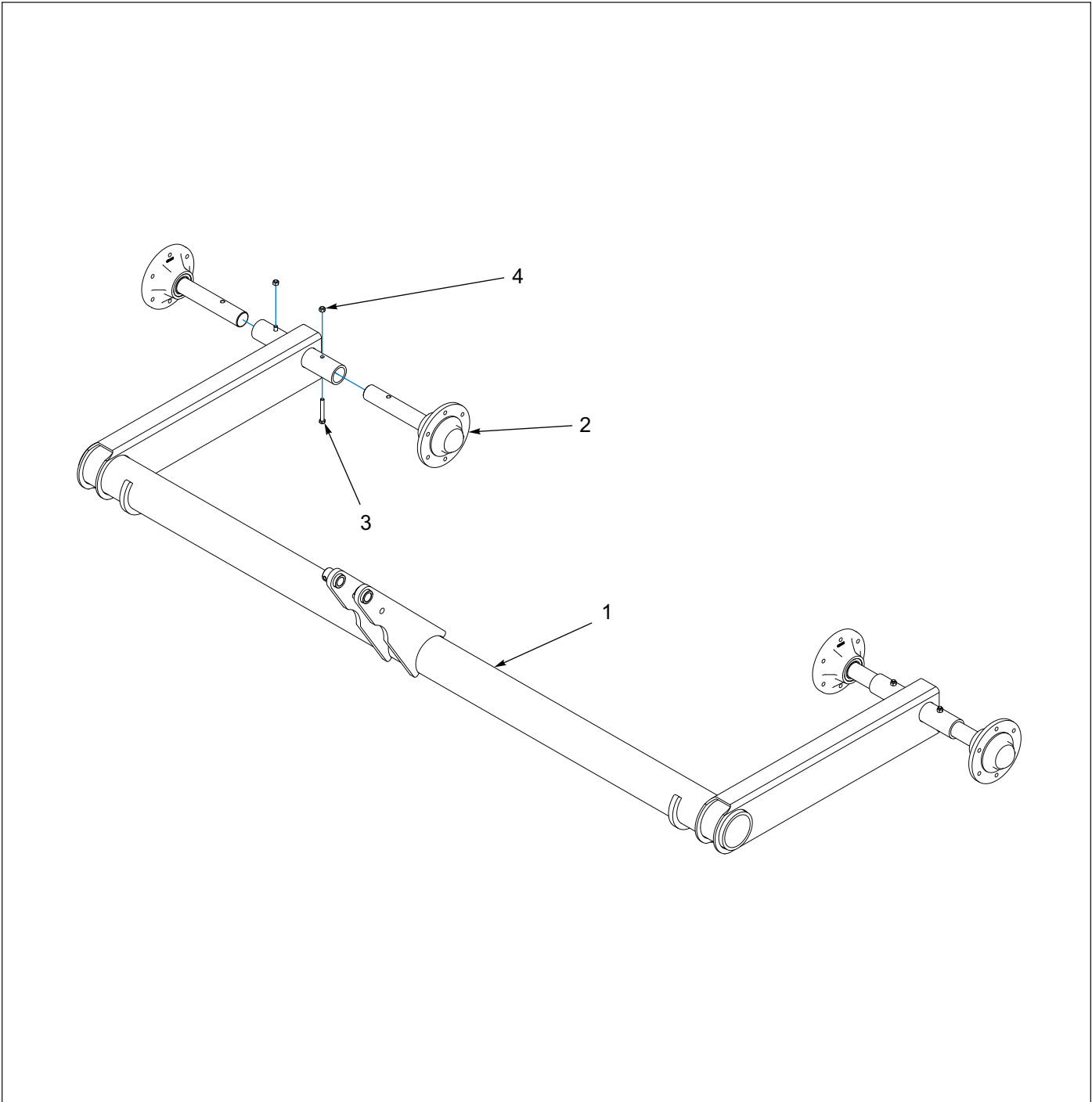


Figure 1-4: Transport Axle Assembly

Transport Axle Assembly

ITEM	PART NUMBER	DESCRIPTION	QTY
	2P996	TRANSPORT AXLE ASM	--
1	2P403	TRANSPORT AXLE	1
2	7J478	HUB & SPINDLE ASSEM (SEE PAGE 1-7)	4
3	1-654-010051-12	SCREW, HEX CAP, 3/8-16UNC X 2-3/4	4
4	1-512-010005-05	NUT, HEX SLFLKG GRB 3/8-16	4

Hub and Spindle Assembly

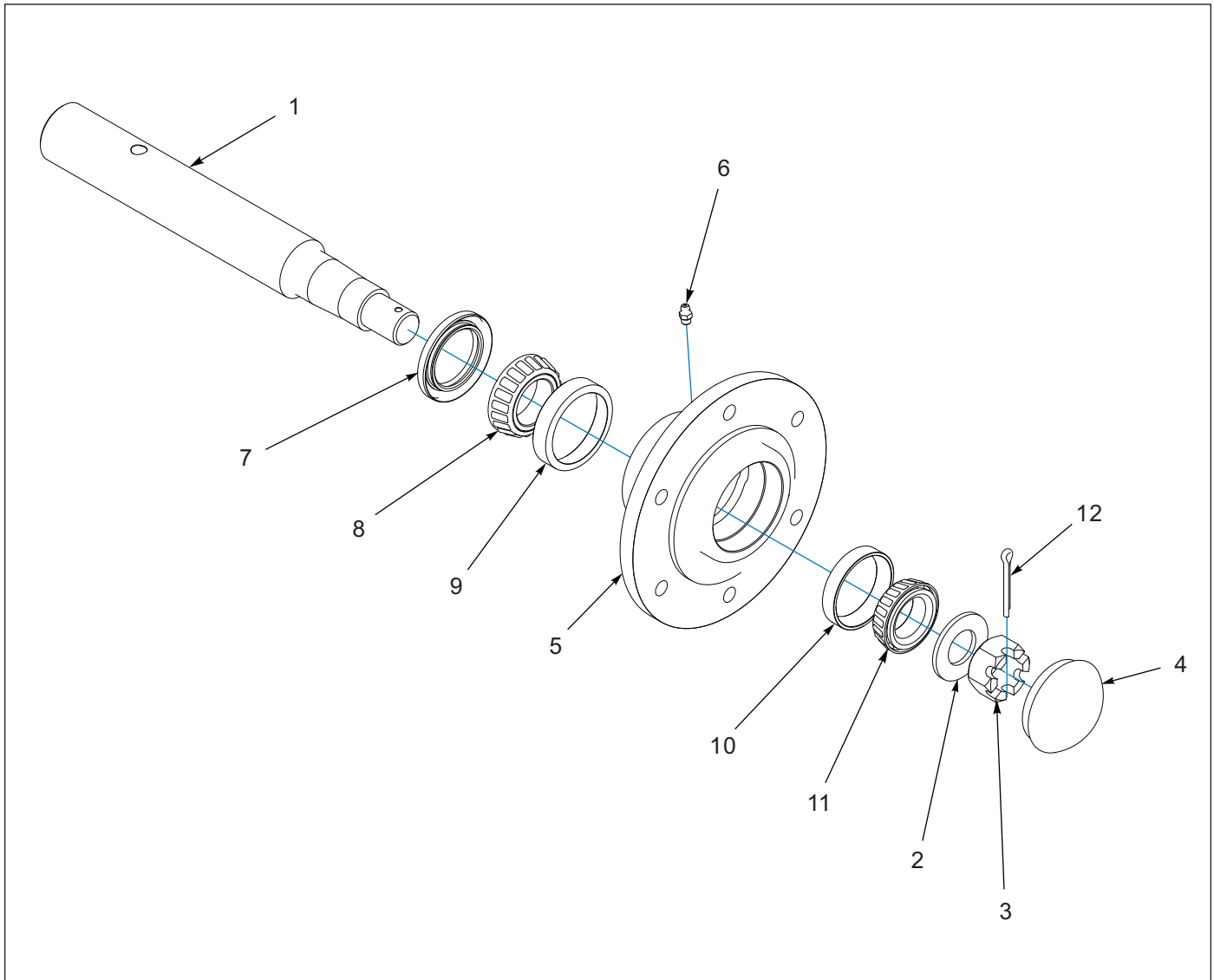


Figure 1-5: Hub and Spindle Assembly

Hub and Spindle Assembly

ITEM	PART NUMBER	DESCRIPTION	QTY
	7J478	HUB & SPINDLE ASM	--
1	7J477	SPINDLE	4
2	1-861-010032-24	WASHER, FL 1IN NARROW, ZP	4
3	6D284	NUT, HX SLOT 1-14	4
4	1-161-010003	CAP 6 BOLT HUB	4
5	6D336	WHEEL HUB - 6 BOLT	4
6	1-298-010001-1	ZERK FITTING 1/4 SAE	4
7	6D338	SEAL (DOUBLE LIP 1-3/4 X 2.625)	4
8	712099	OUTER BEARING CONE	4
9	5C479	CUP, BEARING	4
10	1-076-010010	CUP INNER	4
11	1-076-010007	CONE INNER	4
12	1-557-010362-51	PIN, COTTER 3/16 X 1-1/2	4

Tire and Wheel Assembly

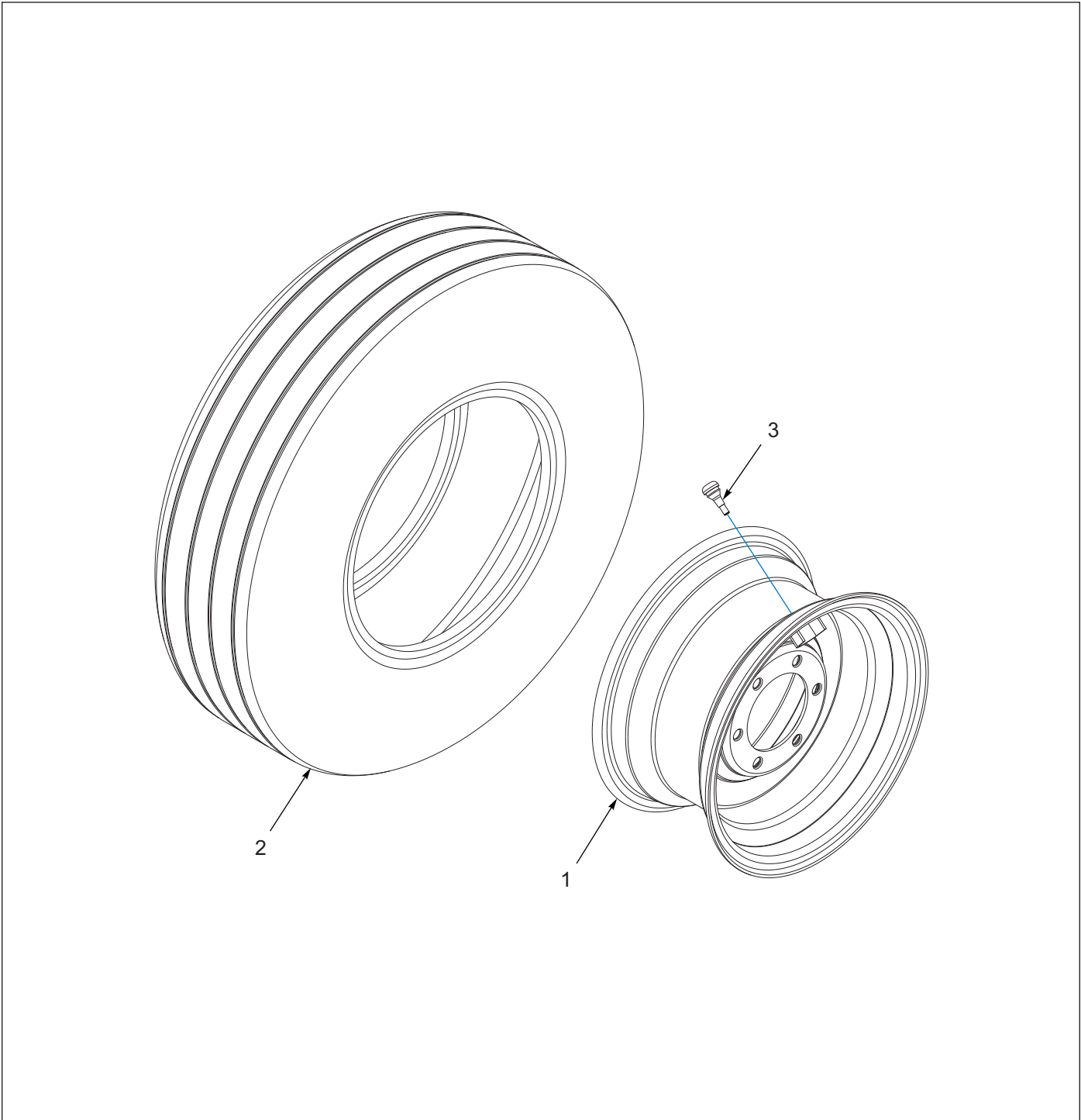


Figure 1-6: Tire and Wheel Assembly

Tire and Wheel Assembly

ITEM	PART NUMBER	DESCRIPTION	QTY
	6K921	WHEEL 8J791/NO TUBE/6D312	--
1	6D312	WHEEL - 15X8LB - 6 BOLT (WITH VALVE GUARD)	1
2	8J791	TIRE -11L X 12PLY	1
3	8J792	VALVE STEM-TUBELESS	1

Drawbar to Frame

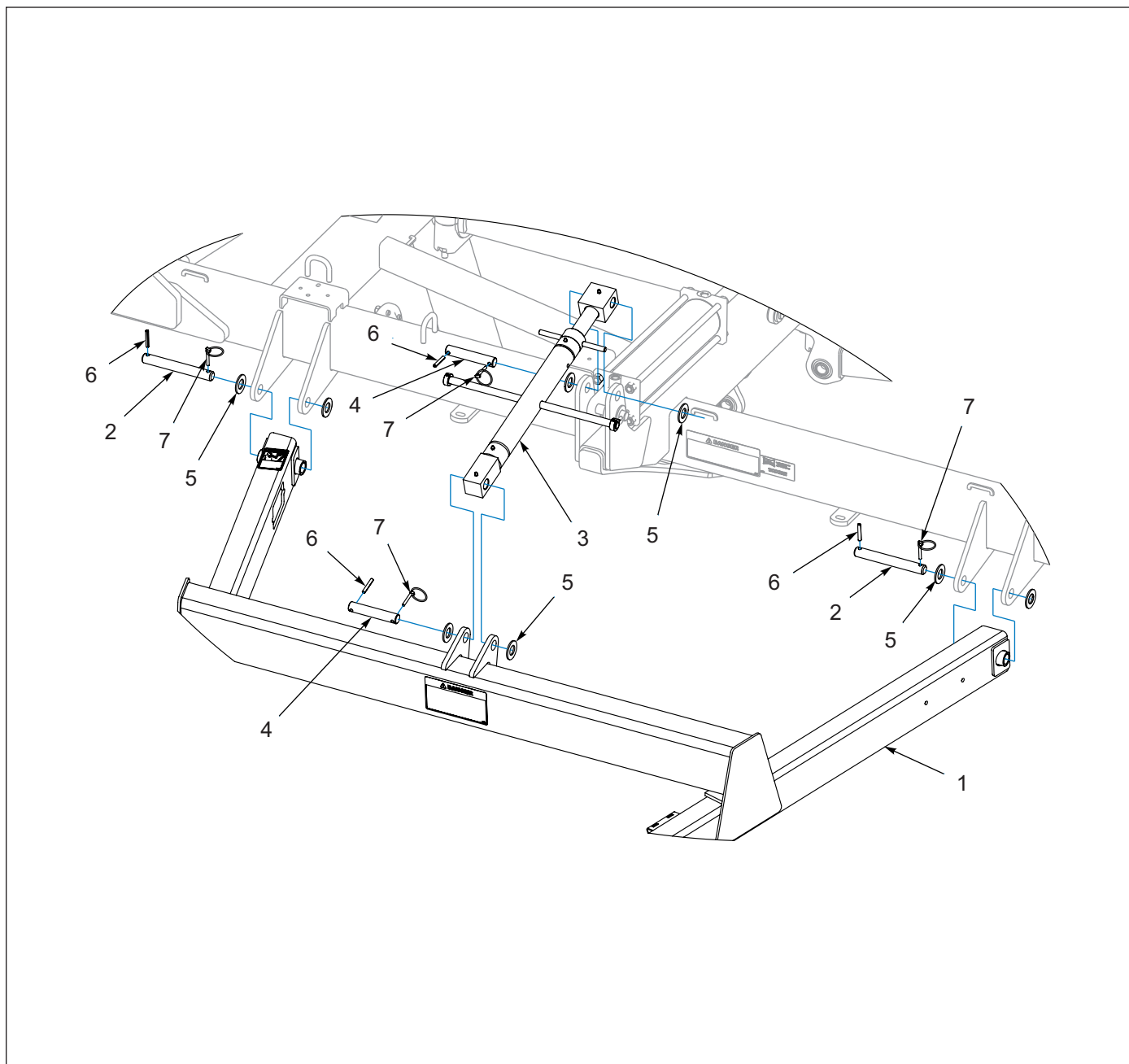


Figure 1-7: Drawbar to Frame

Drawbar to Frame

ITEM	PART NUMBER	DESCRIPTION	QTY
1	164735	DRAWBAR, AFRAME (TELESCOPING) (SEE PAGE 1-12)	1
1	164734	DRAWBAR, RIGID A-FRAME ASSY (SEE PAGE 1-14)	1
2	8K113	PIN - 1 X 8	2
3	2P402	TURNBUCKLE, 24.5-28.0 (SEE PAGE 1-11)	1
4	5J768	PIN (1 X 5-1/2)	2
5	1-861-010032-24	WASHER, FL 1IN NARROW, ZP	8
6	147072	PIN, SPRING SLOTTED 5/16 X 2	4
7	1-557-010327	PIN LYNCH 1/4 X 1-1/4	4

Turnbuckle Assembly

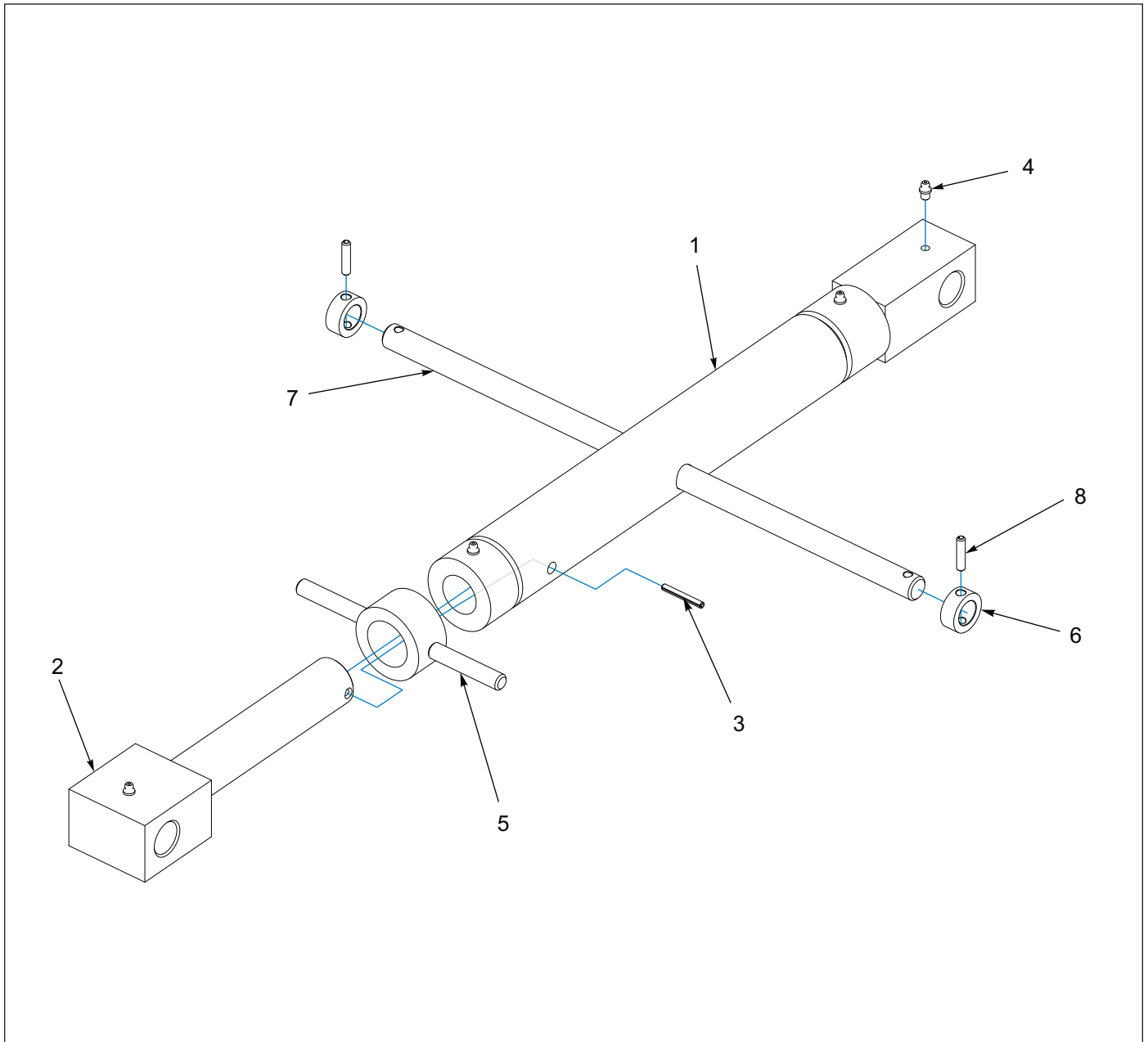


Figure 1-8: Turnbuckle Assembly

Turnbuckle Assembly

ITEM	PART NUMBER	DESCRIPTION	QTY
	2P402	TURNBUCKLE, 24.25-28.0	--
1	2P766	BRACE (1" PIN)	1
2	2P762	ROD END, RH THREAD 2.875	1
3	1-647-010004177	PIN, SPRING, SLTD 3/16 X 1-1/2	1
4	1-298-010001-1	ZERK, FITTING 1/4 SAE	4
5	6K099	STOP BLOCK	1
6	5K201	COLLAR	2
7	171380	HANDLE, PLATED, 3/4 X 20	1
8	1P457	ROLL PIN, 1/4 X 1 1/8	2

Telescoping Drawbar

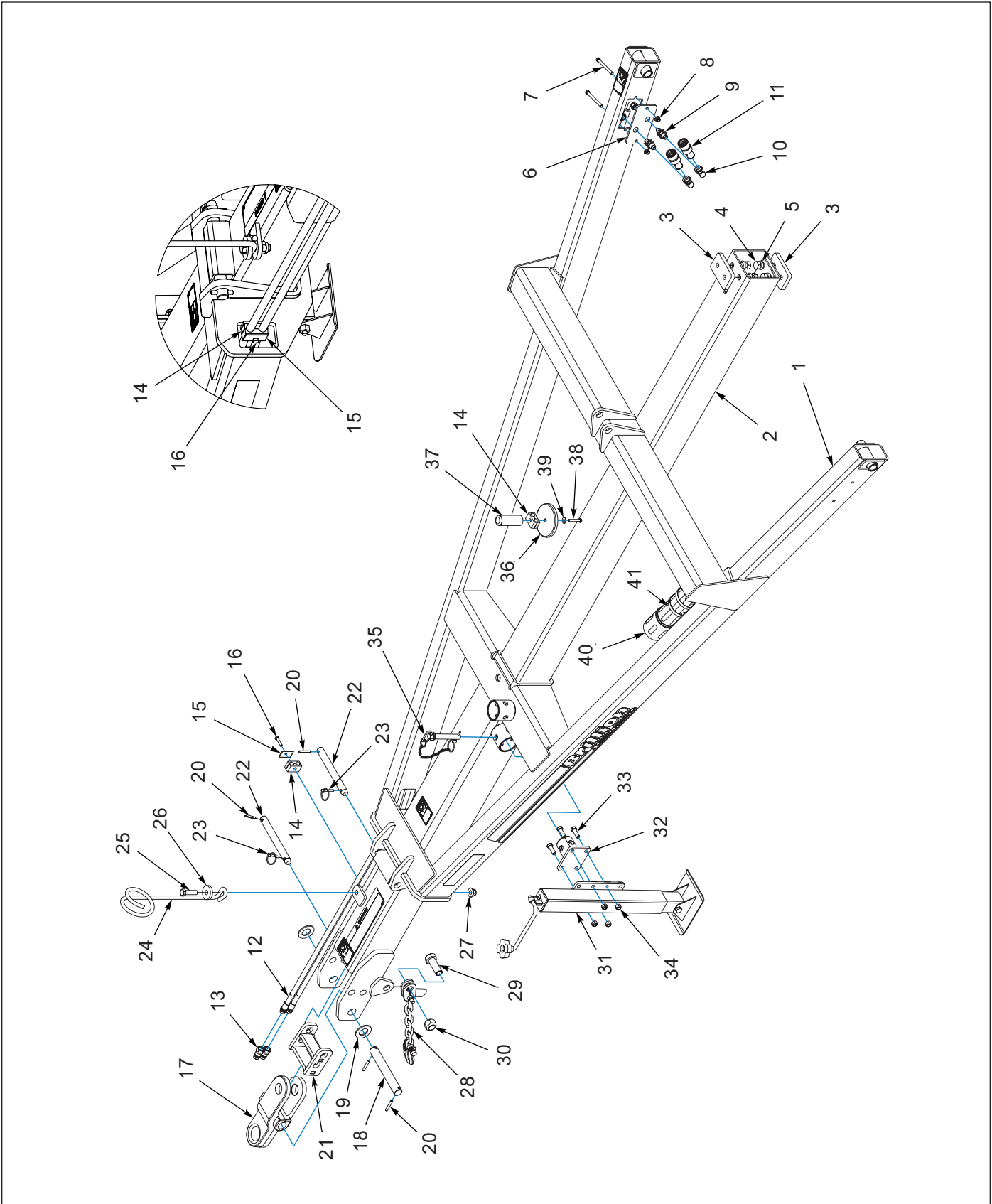


Figure 1-9: Telescoping Drawbar

Telescoping Drawbar

ITEM	PART NUMBER	DESCRIPTION	QTY
1	164735	DRAWBAR A-FRAME	1
2	164753	DRAWBAR	1
3	5J767	STOP	2
4	129263	SCREW, HEX CAP 3/4-10 X 1-1/4	4
5	1-861-010034-17	WASHER, LKG, HLCL SPR, 3/4	4
6	164747	PLATE DRAWBAR BULKHEAD	1
7	108295	SCREW, HX CP 3/8-16UNC X 4, GR5	2
8	2P252	NUT, FLANGE NY-LOK 3/8-16	2
9	102-0322	37 FLARE BULKHEAD/37 FLARE (BULKHEAD, 8MJ)	2
10	2P140	ELBOW, 08MOR X 08FJS X 90DEG	2
11	142668	COUPLER, FEMALE 3/4-16 O-RING	2
12	174945	HOSE ASM, 3/8 X 284, #8ORB X 90 #8JIC (8MOR X 8FJS90)	2
13	141828	COUPLER, MALE 3/4-16 O-RING	2
14	1P937	TWIN CLAMP PAIR, .67" DIA	2
15	1P938	TWIN TOP PLATE	1
16	1-654-010049-07	SCREW, H/CAP, 5/16-18UNC X 1-1/2	1
17	2J858	HITCH	1
18	164756	PIN 1.25 X 9.0 H2	1
19	116100	WASHER, 1-1/4 NAR FL, ZP/CD	2
20	147072	PIN, SPRING SLOTTED 5/16 X 2	4
21	171838	LOCK, REV HITCH	1
22	5J764	PIN (1 X 9-1/4)	2
23	1-557-010327	PIN LYNCH 1/4 X 1-1/4	2
24	6D333	HOSE SUPPORT	1
25	1-654-010059-06	SCREW, HEX CAP 5/8-11 X 2-1/4, G5	1
26	6K970	WASHER, 0.656 X 2.063 X 0.375, ZP	1
27	2P254	NUT, FLANGE NY-LOK 5/8-11	1
28	141434	SAFETY CHAIN 21,000LB	1
29	1-654-010065-08	SCREW, HX CP 1-8UNC X 2-3/4, GR5	1
30	1-512-010005-19	NUT, 1-8 HEX SLF-LOCKING, GRB	1
31	2P999	JACK 5000LB	1
32	3P001	JACK MOUNT, 3/4 PIN	1
33	1-654-010055-03	SCREW, HEX CAP 1/2-13UNC X 1-1/2	4
34	1-512-010005-09	NUT, HEX SLFLKG GRB, 1/2-13	4
35	3P007	PIN, 3/4 W/CHAIN	1
36	164761	MAGNET 190# PULL	1
37	164762	HANDLE HOSE MAGNET	1
38	1-654-010049-09	SCREW, HX CP 5/16-18UNC X 2	1
39	1-861-010032-09	WASHER, FLAT 5/16 W, ZP/CD	1
40	1-116-010019	BOX, MANUAL STORAGE	1
41	105-0093	HOSE CLAMP, 4-1/2 IDEAL #5264	2

Rigid Drawbar

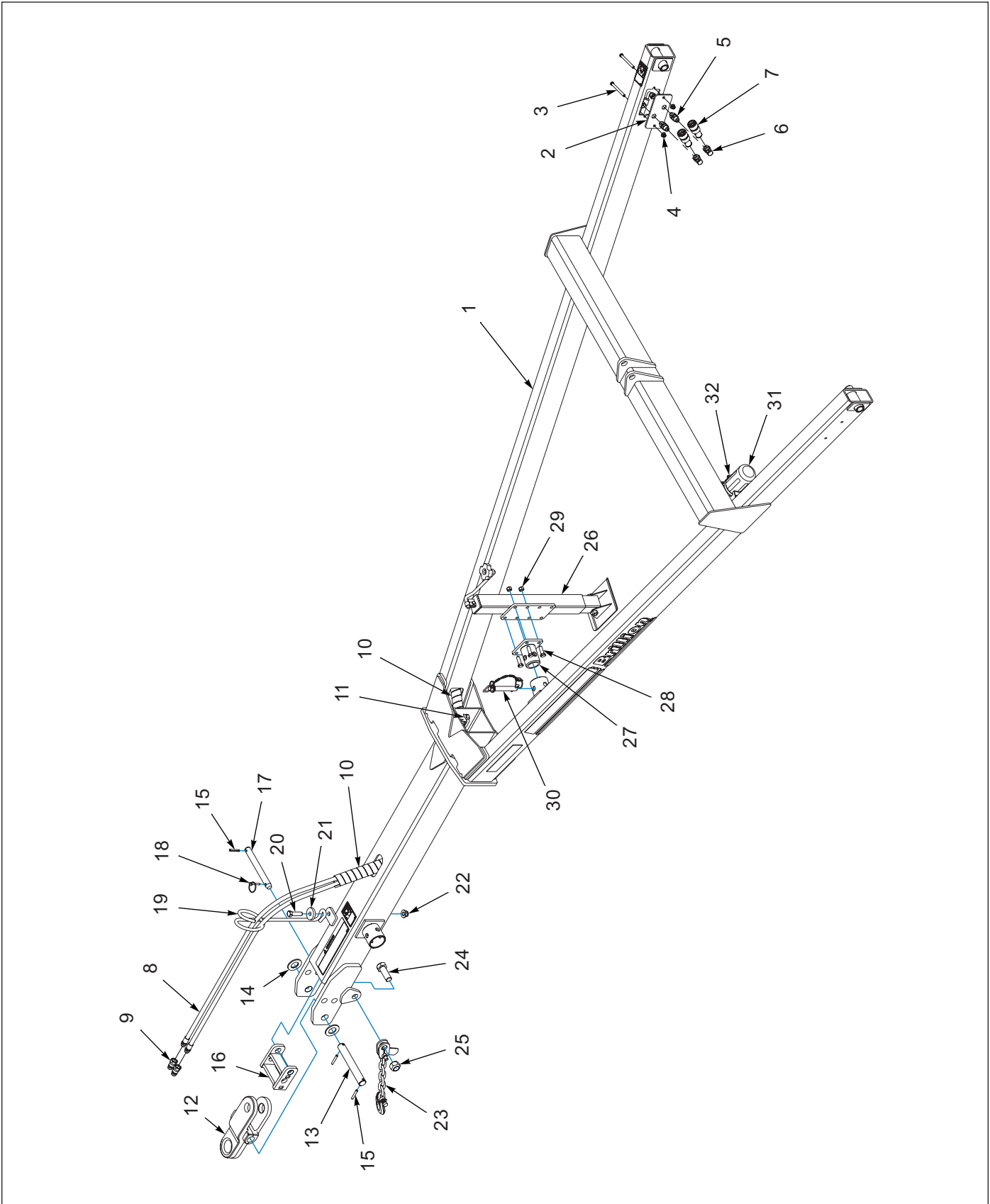


Figure 1-10: Rigid Drawbar

Rigid Drawbar

ITEM	PART NUMBER	DESCRIPTION	QTY
1	233467	DRAWBAR, RIGID W/DECALS	1
2	164747	PLATE DRAWBAR BULKHEAD	1
3	108295	SCREW, HX CP 3/8-16UNC X 4, GR5	2
4	2P252	NUT, FLANGE NY-LOK 3/8-16	2
5	102-0322	37 FLARE BULKHEAD/37 FLARE (BULKHEAD, 8MJ)	2
6	2P140	ELBOW, 08MOR X 08FJS X 90DEG	2
7	142668	COUPLER, FEMALE 3/4-16 O-RING	2
8	175104	HOSE ASM, 3/8 X 250, #8ORB X 90 #8JIC (8MOR X 8FJS90)	2
9	141828	COUPLER, MALE 3/4-16 O-RING	2
10	1P995	HOSE WRAP, 26"	2
11	105874	TIE, STRAP PLSTC 21.5-24 X .301	1
12	2J858	HITCH	1
13	164756	PIN 1.25X9.0 H2	1
14	116100	WASHER, 1-1/4 NAR FL, ZP/CD	2
15	147072	PIN, SPRING SLOTTED 5/16 X 2	3
16	171838	LOCK,REV HITCH	1
17	5J764	PIN (1 X 9-1/4)	1
18	1-557-010327	PIN LYNCH 1/4X1-1/4	1
19	6D333	HOSE SUPPORT	1
20	1-654-010059-06	SCREW, HEX CAP 5/8-11 X 2-1/4, G5	1
21	6K970	WASHER, 0.656 X 2.063 X 0.375, ZP	1
22	2P254	NUT, FLANGE NY-LOK 5/8-11	1
23	141434	SAFETY CHAIN 21,000LB	1
24	1-654-010065-08	SCREW,HX CP 1-8UNC X 2-3/4GR5	1
25	1-512-010005-19	NUT, 1-8 HEX SLF-LOCKING GRB	1
26	2P999	JACK 5000LB	1
27	3P001	JACK MOUNT, 3/4 PIN	1
28	1-654-010055-03	SCREW, HEX CAP, 1/2-13UNC X 1-1/2	4
29	1-512-010005-09	NUT, HEX SLFLKG 1/2-13, GRB	4
30	3P007	PIN, 3/4 W/CHAIN	1
31	1-116-010019	BOX MANUAL STORAGE	1
32	105-0093	HOSE CLAMP, 4-1/2 IDEAL #5264	2

Wing Hinge

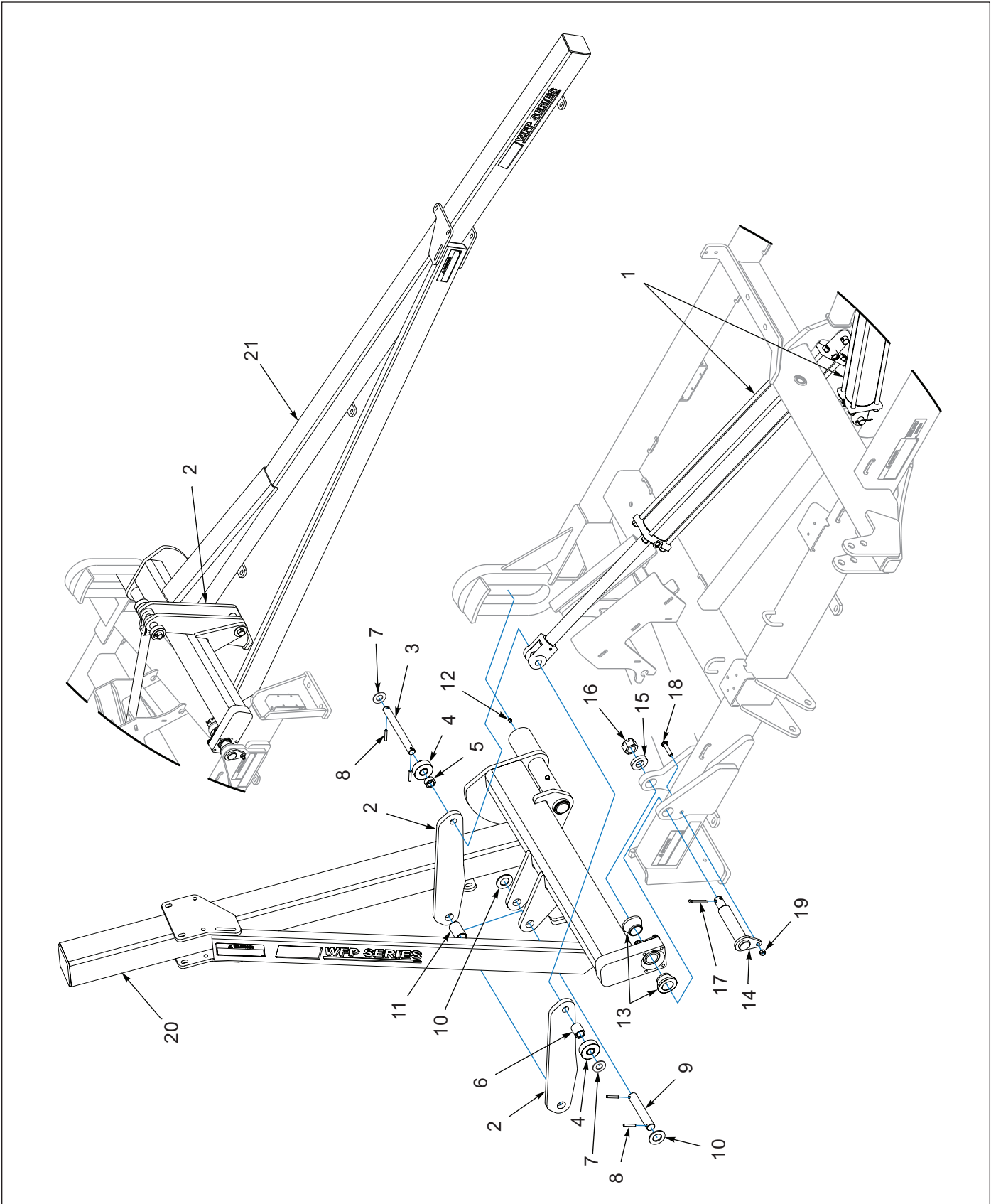


Figure 1-11: Wing Hinge

Wing Hinge

ITEM	PART NUMBER	DESCRIPTION	QTY
1	2P460	HYD CYL - 4 X 36 (WFP23-29) (SEE PAGE 1-57)	2
1	183553	HYD CYL 4-1/2 X 36 (WFP31-37) (SEE PAGE 1-58)	2
2	2P454	LINK, WING FOLD	4
3	2P280	PIN, 1.0 X 10.125 H2	2
4	6J047	ROLLER ASSY (6J048)	4
5	2P466	TUBE, RND 1.031 X 1.5 X 0.688	2
6	2P998	TUBE, RND 1.031 X 1.5 X 1.75	2
7	199977	WASHER SS 1.0 X 2.0 X 11GA	4
8	147072	PIN, SPRING SLOTTED 5/16 X 2	8
9	9J400	WHEEL ARM PIN	1
10	116100	WASHER, 1-1/4 NAR FL, ZP/CD	4
11	2P727	TUBE, RND 1.38 X1.66 X 2.75	2
12	5000	ZERK FITTING 1/8NPT	1
13	200858	SPACER 1-3/4 ID X 1-1/2	4
14	200862	PIN WLD, 1-3/4 THREADED	2
15	188049	WASHER, 1.28X2.5X0.5	2
16	2P744	NUT, HEX SLOT THK 1-1/4-12, ZP	2
17	1-557-010362-65	PIN COTTER, 1/4X2-1/2 ZP	2
18	169690	SCREW HXCP1/2-13UNCX2-1/4 G5	2
19	1-512-010005-09	NUT,HEX,SLFLKG, 1/2-13 GRB	2
20	222859	WING FRAME ASM, RH 5FT WFP (WFP23) (SEE PAGE 1-20)	1
20	222861	WING FRAME ASM, RH 6FT WFP (WFP25) (SEE PAGE 1-20)	1
20	222863	WING FRAME ASM, RH 7FT WFP (WFP27) (SEE PAGE 1-20)	1
20	222865	WING FRAME ASM, RH 8FT WFP (WFP29) (SEE PAGE 1-20)	1
20	222867	WING FRAME ASM, RH 9FT WFP (WFP31) (SEE PAGE 1-20)	1
20	222869	WING FRAME ASM, RH 10FT WFP (WFP33) (SEE PAGE 1-20)	1
20	222871	WING FRAME ASM, RH 11FT WFP (WFP35) (SEE PAGE 1-20)	1
20	222873	WING FRAME ASM, RH 12FT WFP (WFP37) (SEE PAGE 1-20)	1
21	222860	WING FRAME ASM, LH 5FT WFP (WFP23) (SEE PAGE 1-19)	1
21	222862	WING FRAME ASM, LH 6FT WFP (WFP25) (SEE PAGE 1-19)	1
21	222864	WING FRAME ASM, LH 7FT WFP (WFP27) (SEE PAGE 1-19)	1
21	222866	WING FRAME ASM, LH 8FT WFP (WFP29) (SEE PAGE 1-19)	1
21	222868	WING FRAME ASM, LH 9FT WFP (WFP31) (SEE PAGE 1-19)	1
21	222870	WING FRAME ASM, LH 10FT WFP (WFP33) (SEE PAGE 1-19)	1
21	222872	WING FRAME ASM, LH 11FT WFP (WFP35) (SEE PAGE 1-19)	1
21	222874	WING FRAME ASM, LH 12FT WFP (WFP37) (SEE PAGE 1-19)	1

Wing Frame Assembly - Right Hand

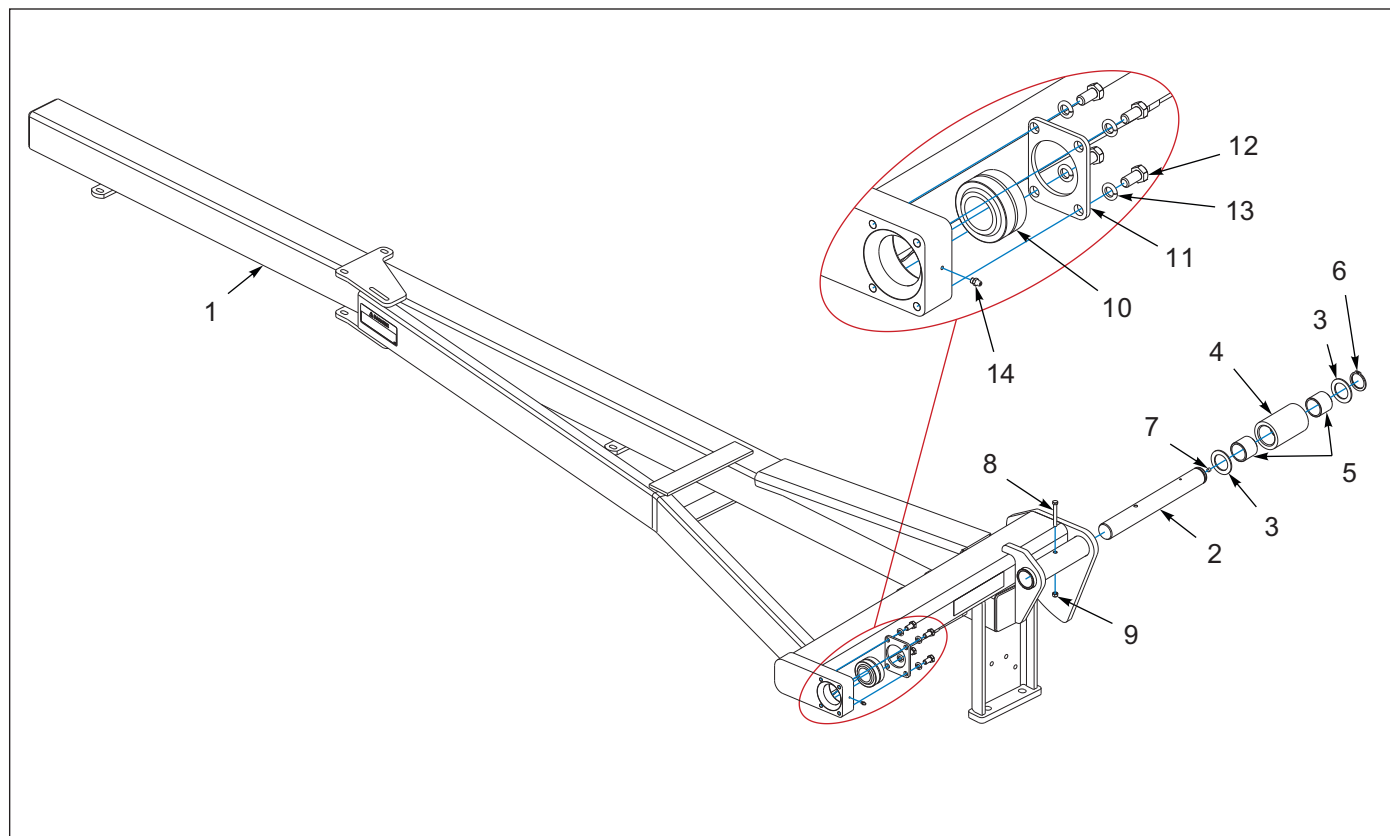


Figure 1-12: Right Hand Wing Frame Assembly

Wing Frame Assembly - Right Hand

ITEM	PART NUMBER	DESCRIPTION	QTY
	222859	WING FRAME ASM, RH 5FT WFP (WFP23)	1
	222861	WING FRAME ASM, RH 6FT WFP (WFP25)	1
	222863	WING FRAME ASM, RH 7FT WFP (WFP27)	1
	222865	WING FRAME ASM, RH 8FT WFP (WFP29)	1
	222867	WING FRAME ASM, RH 9FT WFP (WFP31)	1
	222869	WING FRAME ASM, RH 10FT WFP (WFP33)	1
	222871	WING FRAME ASM, RH 11FT WFP (WFP35)	1
	222873	WING FRAME ASM, RH 12FT WFP (WFP37)	1
1	-----	WING FRAME WELDMENT (NOT SOLD SEPERATELY)	1
2	231044	PIN, 2" HINGE	1
3	4J409	MACHINERY BUSHING	2
4	2P268	ROLLER, HINGE	1
5	2P269	BRG BRONZE,2.004 X 2.380 X 2.0	2
6	2P267	RETAINING RING, 5160-200	1
7	5000	ZERK FITTING 1/8 NPT (ORDER SEPERATELY, NOT INCLUDED)	1
8	1-654-010051-13	SCREW,HX CP,3/8-16UNCX3,GR5	1
9	1-512-010005-05	NUT, HEX, SLFLKG GRB 3/8-16	1
10	201354	SPHERICAL BEARING, 1-3/4	1
11	200859	RETAINER,BEARING	1
12	1-654-010055-01	SCR,HX CP 1/2-13UNCX1 GR5	4
13	1-861-010034-13	WASHER, LKG HLCL SPR, 1/2	4
14	1-298-010001-1	ZERK FITTING 1/4 SAE	1

Wing Frame Assembly - Left Hand

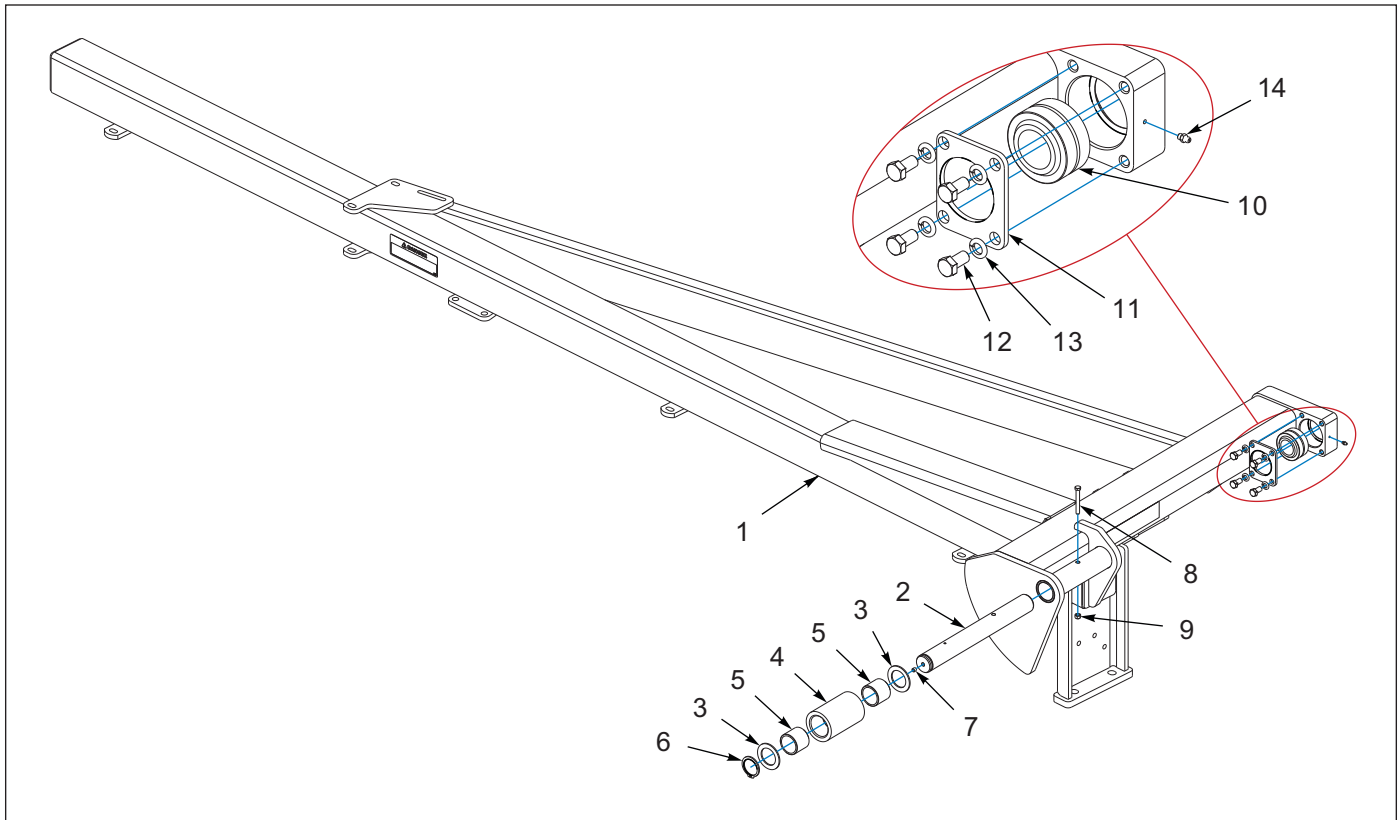


Figure 1-13: Left Hand Wing Frame Assembly

Wing Frame Assembly - Left Hand

ITEM	PART NUMBER	DESCRIPTION	QTY
	222860	WING FRAME ASM, LH 5FT WFP (WFP23)	1
	222862	WING FRAME ASM, LH 6FT WFP (WFP25)	1
	222864	WING FRAME ASM, LH 7FT WFP (WFP27)	1
	222866	WING FRAME ASM, LH 8FT WFP (WFP29)	1
	222868	WING FRAME ASM, LH 9FT WFP (WFP31)	1
	222870	WING FRAME ASM, LH 10FT WFP (WFP33)	1
	222872	WING FRAME ASM, LH 11FT WFP (WFP35)	1
	222874	WING FRAME ASM, LH 12FT WFP (WFP37)	1
1	-----	WING FRAME WELDMENT (NOT SOLD SEPERATELY)	1
2	231044	PIN, 2" HINGE	1
3	4J409	MACHINERY BUSHING	2
4	2P268	ROLLER, HINGE	1
5	2P269	BRG BRONZE, 2.004 X 2.380 X 2.0	2
6	2P267	RETAINING RING, 5160-200	1
7	5000	ZERK FITTING 1/8 NPT (ORDER SEPERATELY, NOT INCLUDED)	1
8	1-654-010051-13	SCREW, HX CP, 3/8-16UNCX3, GR5	1
9	1-512-010005-05	NUT, HEX, SLFLKG GRB 3/8-16	1
10	201354	SPHERICAL BEARING, 1-3/4	1
11	200859	RETAINER, BEARING	1
12	1-654-010055-01	SCR, HX CP 1/2-13UNCX1 GR5	4
13	1-861-010034-13	WASHER, LKG HLCL SPR, 1/2	4
14	1-298-010001-1	ZERK FITTING 1/4 SAE	1

Wing Rest - WFP23-29

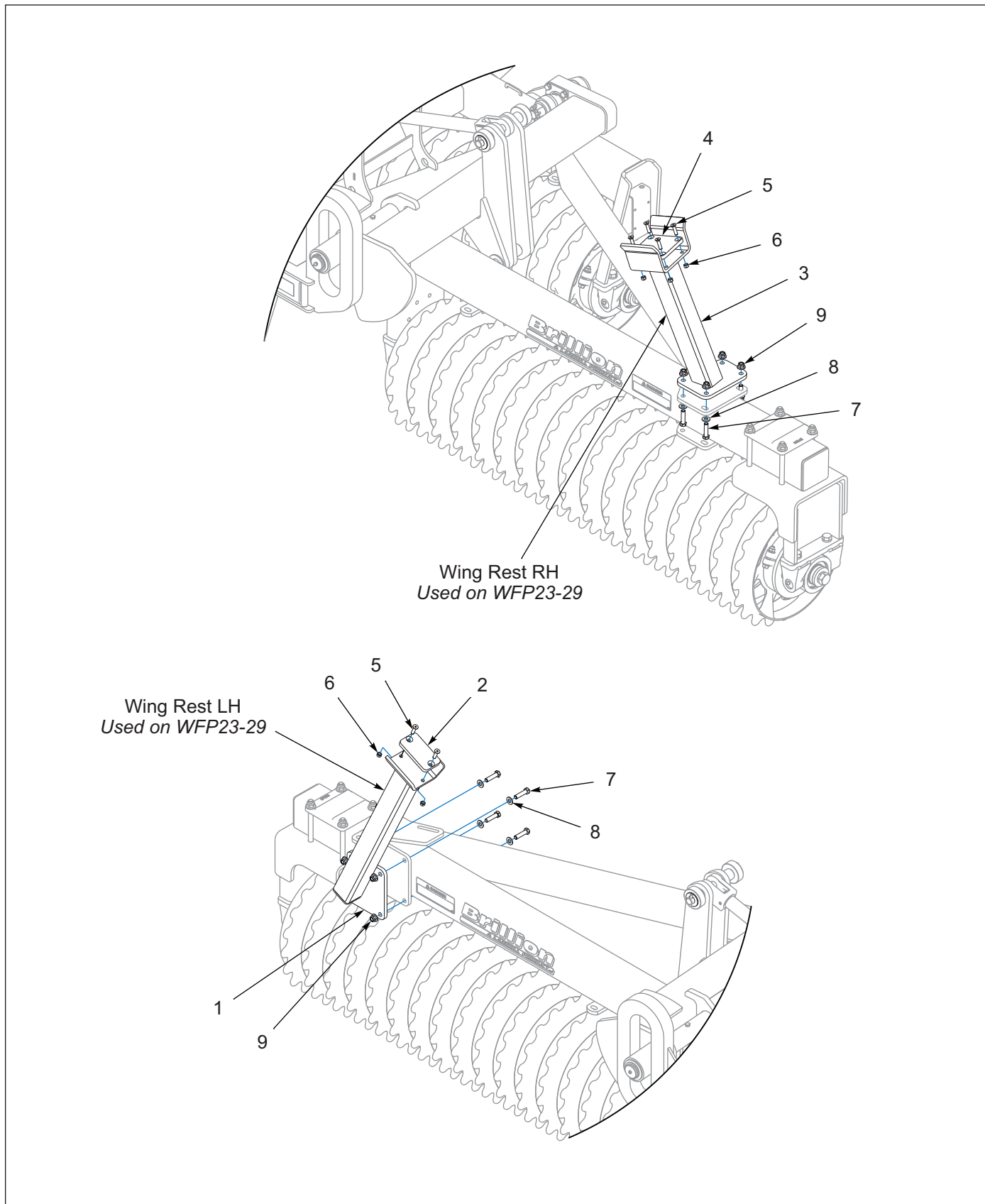


Figure 1-14: Wing Rest - WFP23-29

Wing Rest - WFP23-29

ITEM	PART NUMBER	DESCRIPTION	QTY
1	175129	REST, 5-8 LH WING	1
2	175140	PAD, WING REST BUMPER	1
3	175135	REST, 5-8 RH WING	1
4	171727	PAD, WING REST BUMPER	1
5	118626	SCREW, HXSKT CTSK 3/8-16 X 1-1/2 Z	6
6	1-512-010005-05	NUT, HEX, SLFLKG GRB 3/8-16	6
7	1-654-010055-05	SCREW, HEX CAP, 1/2-13UNC X 2, GR5	8
8	1-861-010032-14	WASHER, FLAT 1/2 SAE	8
9	2P253	NUT, FLANGE NY-LOK 1/2-13	8

Wing Rest - WFP31-37

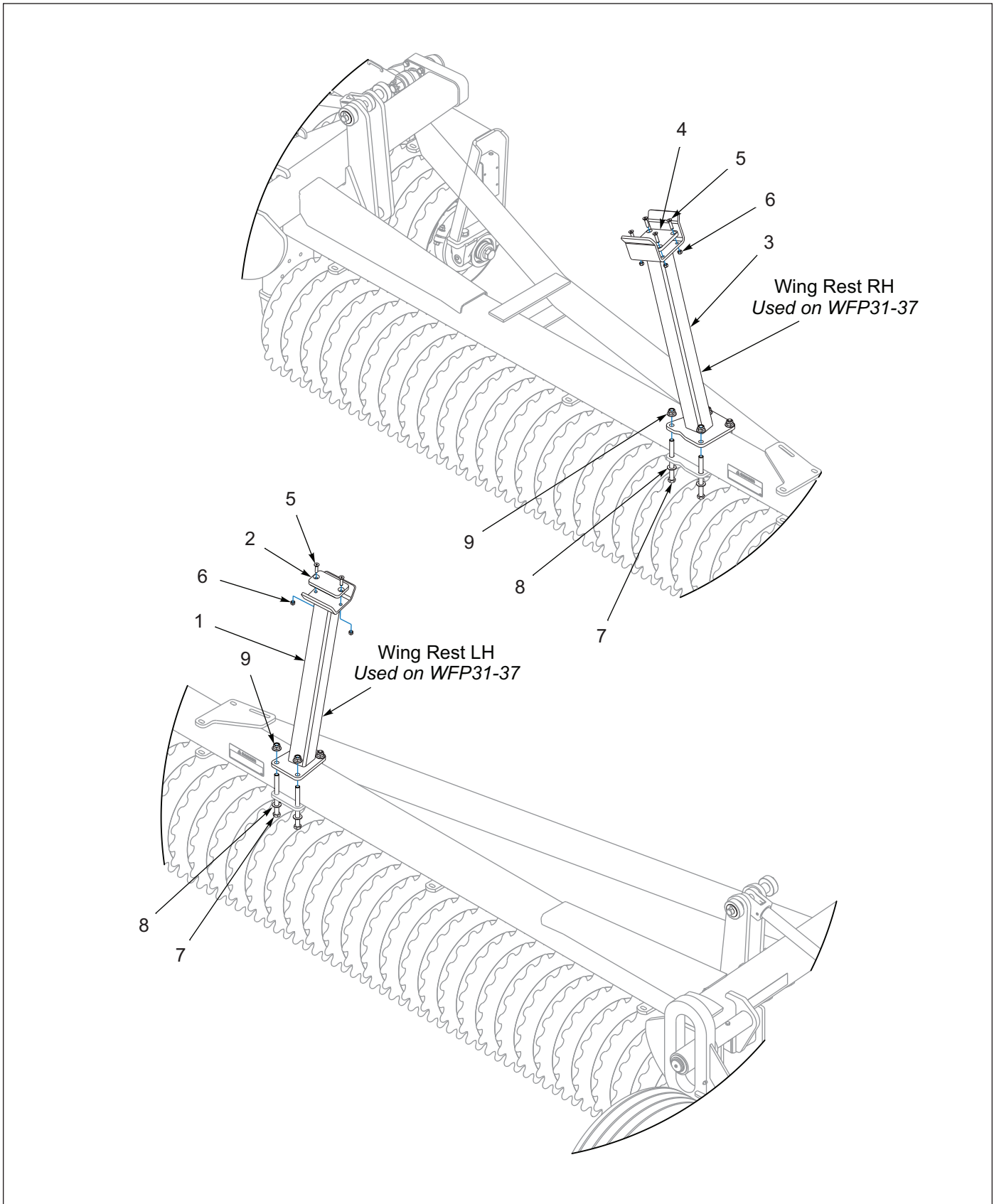


Figure 1-15: Wing Rest - WFP31-37

Wing Rest - WFP31-37

ITEM	PART NUMBER	DESCRIPTION	QTY
1	175126	REST, LH WING, 9-12	1
2	175140	PAD, WING REST BUMPER	1
3	175123	REST, RH WING	1
4	171727	PAD, WING REST BUMPER	1
5	118626	SCREW, HXSKT CTSK 3/8-16 X 1-1/2 Z	6
6	1-512-010005-05	NUT, HEX, SLFLKG GRB 3/8-16	6
7	113064	SCREW, HX CP, 5/8-11UNC X 7, GR5	8
8	1-861-010032-18	WASHER, FLAT 5/8 N ZP/CD	8
9	2P254	NUT, FLANGE NY-LOK 5/8-11	8

Center Frame Roller

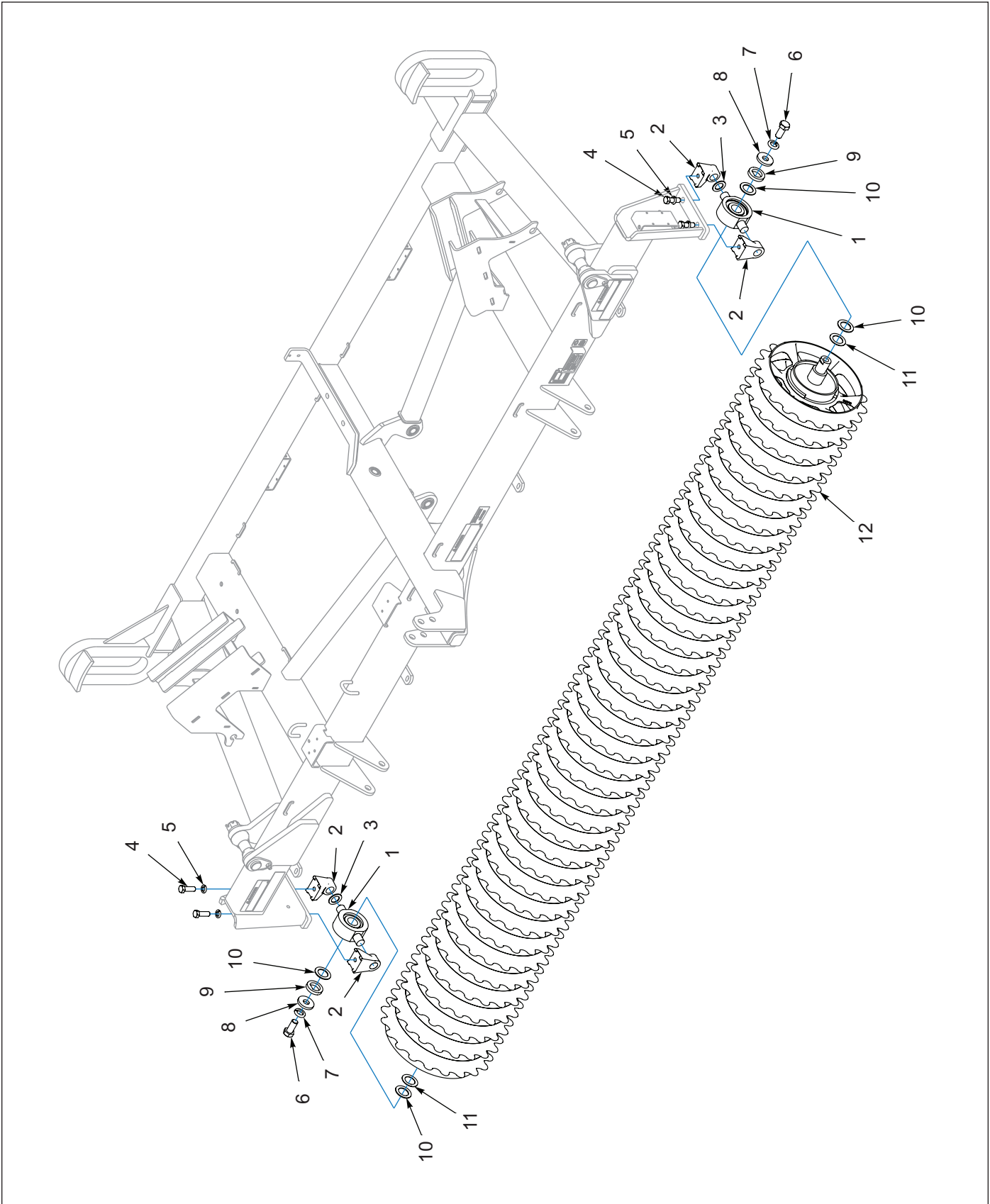


Figure 1-16: Center Frame Roller

Center Frame Roller

ITEM	PART NUMBER	DESCRIPTION	QTY
1	140477	BEARING, DISC 1.775 ID ASSY (SEE PAGE 1-28)	2
2	140479	MOUNT, TRUNNION BEARING	4
3	140480	WASHER, TRUNNION	2
4	1-654-010061-06	SCREW, HXCP, 3/4-10UNC X 2-1/4, GR5	4
5	1-861-010034-17	WASHER, LKG, HLCL SPR, 3/4	4
6	137943	SCREW, HEX CAP 1-8UNC X 2-1/4, GR5	2
7	1-861-010034-21	WASHER, LKG HEL SPRG 1IN	2
8	154185	WASHER, 3/8 THICK 1" ID	2
9	154186	WASHER, FLAT TOP	2
10	171738	WASHER, SHIM 11 GA, 1.79 ID	4
11	171739	WASHER, SHIM 14 GA, 1.79 ID	2
12	231060	ROLLER ASM, 152" NOTCHED (SEE PAGE 1-29)	1
12	231068	ROLLER ASM, 152" RH CROWFOOT (SEE PAGE 1-30)	1
12	231084	ROLLER ASM, 152" OPTIMIZER (SEE PAGE 1-33)	1

Wing Frame Roller

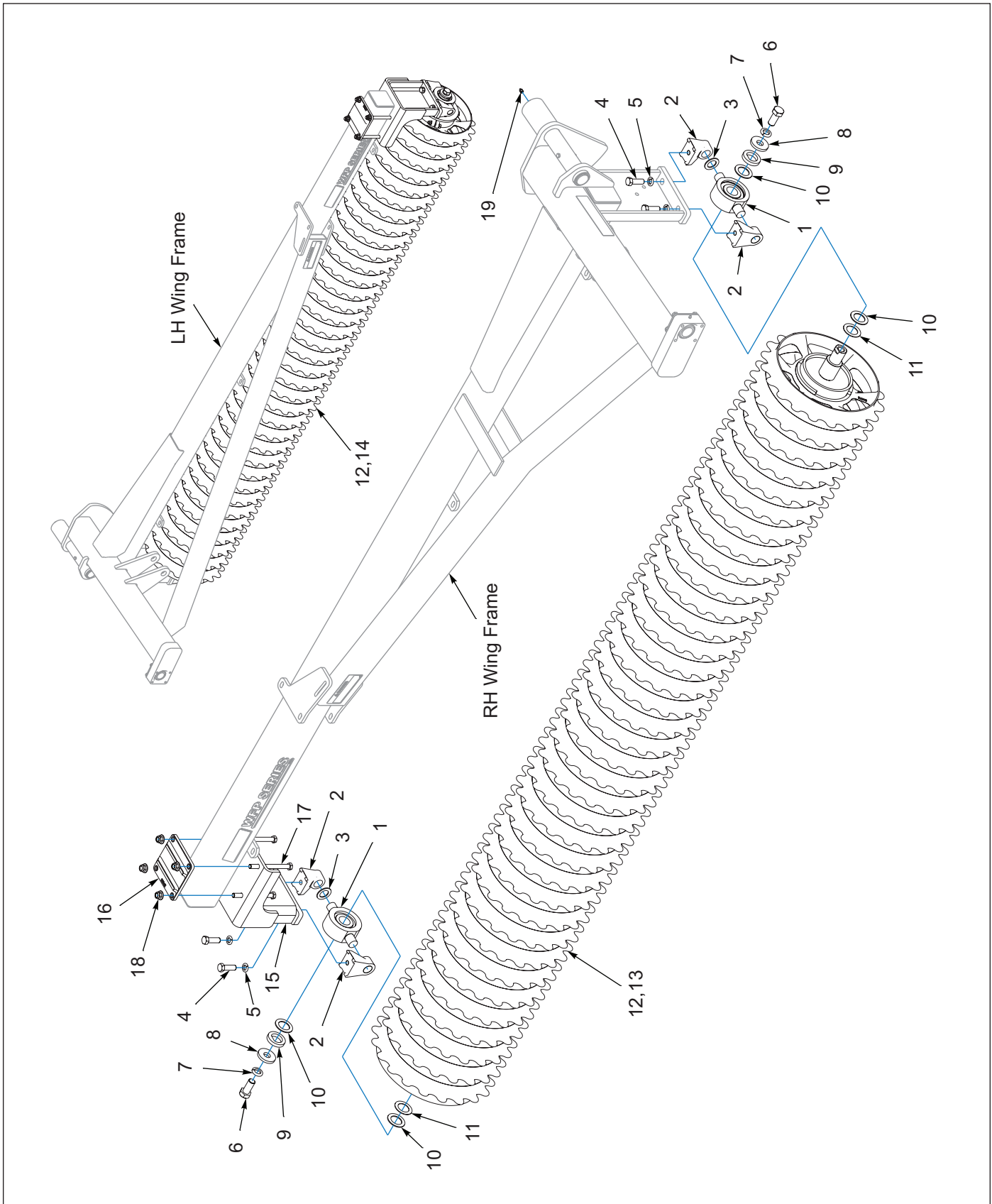


Figure 1-17: Wing Frame Roller

Wing Frame Roller

ITEM	PART NUMBER	DESCRIPTION	QTY
1	140477	BEARING, DISC 1.775 ID ASM (SEE PAGE 1-28)	4
2	140479	MOUNT, TRUNNION BEARING	8
3	140480	WASHER, TRUNNION	4
4	1-654-010061-06	SCREW, HXCP, 3/4-10UNC X 2-1/4, GR5	8
5	1-861-010034-17	WASHER, LKG, HLCL SPR, 3/4	8
6	137943	SCREW, HEX CAP 1-8UNC X 2-1/4, GR5	4
7	1-861-010034-21	WASHER, LKG HEL SPRG 1IN	4
8	154185	WASHER, 3/8 THICK 1" ID	4
9	154186	WASHER, FLAT TOP	4
10	171738	WASHER, SHIM 11 GA, 1.79 ID	8
11	171739	WASHER, SHIM 14 GA, 1.79 ID	4
12	231053	ROLLER ASM, 68" NOTCHED (WFP23) (SEE PAGE 1-29)	2
12	231054	ROLLER ASM, 80" NOTCHED (WFP25) (SEE PAGE 1-29)	2
12	231055	ROLLER ASM, 92" NOTCHED (WFP27) (SEE PAGE 1-29)	2
12	231056	ROLLER ASM, 104" NOTCHED (WFP29) (SEE PAGE 1-29)	2
12	231057	ROLLER ASM, 116" NOTCHED (WFP31) (SEE PAGE 1-29)	2
12	231058	ROLLER ASM, 128" NOTCHED (WFP33) (SEE PAGE 1-29)	2
12	231059	ROLLER ASM, 140" NOTCHED (WFP35) (SEE PAGE 1-29)	2
12	231060	ROLLER ASM, 152" NOTCHED (WFP37) (SEE PAGE 1-29)	2
12	231077	ROLLER ASM, 68" OPTIMIZER (WFP23) (SEE PAGE 1-32)	2
12	231078	ROLLER ASM, 80" OPTIMIZER (WFP25) (SEE PAGE 1-32)	2
12	231079	ROLLER ASM, 92" OPTIMIZER (WFP27) (SEE PAGE 1-32)	2
12	231080	ROLLER ASM, 104" OPTIMIZER (WFP29) (SEE PAGE 1-32)	2
12	231081	ROLLER ASM, 116" OPTIMIZER (WFP31) (SEE PAGE 1-32)	2
12	231082	ROLLER ASM, 128" OPTIMIZER (WFP33) (SEE PAGE 1-32)	2
12	231083	ROLLER ASM, 140" OPTIMIZER (WFP35) (SEE PAGE 1-32)	2
12	231084	ROLLER ASM, 152" OPTIMIZER (WFP37) (SEE PAGE 1-32)	2
13	231061	ROLLER ASM, 68" RH CROWFOOT (WFP23) (SEE PAGE 1-30)	1
13	231062	ROLLER ASM, 80" RH CROWFOOT (WFP25) (SEE PAGE 1-30)	1
13	231063	ROLLER ASM, 92" RH CROWFOOT (WFP27) (SEE PAGE 1-30)	1
13	231064	ROLLER ASM, 104" RH CROWFOOT (WFP29) (SEE PAGE 1-30)	1
13	231065	ROLLER ASM, 116" RH CROWFOOT (WFP31) (SEE PAGE 1-30)	1
13	231066	ROLLER ASM, 128" RH CROWFOOT (WFP33) (SEE PAGE 1-30)	1
13	231067	ROLLER ASM, 140" RH CROWFOOT (WFP35) (SEE PAGE 1-30)	1
13	231068	ROLLER ASM, 152" RH CROWFOOT (WFP37) (SEE PAGE 1-30)	1
14	231069	ROLLER ASM, 68" LH CROWFOOT (WFP23) (SEE PAGE 1-30)	1
14	231070	ROLLER ASM, 80" LH CROWFOOT (WFP25) (SEE PAGE 1-30)	1
14	231071	ROLLER ASM, 92" LH CROWFOOT (WFP27) (SEE PAGE 1-30)	1
14	231072	ROLLER ASM, 104" LH CROWFOOT (WFP29) (SEE PAGE 1-30)	1
14	231073	ROLLER ASM, 116" LH CROWFOOT (WFP31) (SEE PAGE 1-30)	1
14	231074	ROLLER ASM, 128" LH CROWFOOT (WFP33) (SEE PAGE 1-30)	1
14	231075	ROLLER ASM, 140" LH CROWFOOT (WFP35) (SEE PAGE 1-30)	1
14	231076	ROLLER ASM, 152" LH CROWFOOT (WFP37) (SEE PAGE 1-30)	1
15	174879	BOLT ON BEARING HANGER	2
16	2P236	CLAMP, BRG HANGER	2
17	113064	SCREW, HX CP, 5/8-11UNC X 7, GR5	8
18	2P254	NUT, FLANGE NY-LOK 5/8-11	8
19	5000	ZERK FITTING 1/8NPT	4

Disc Bearing Assembly

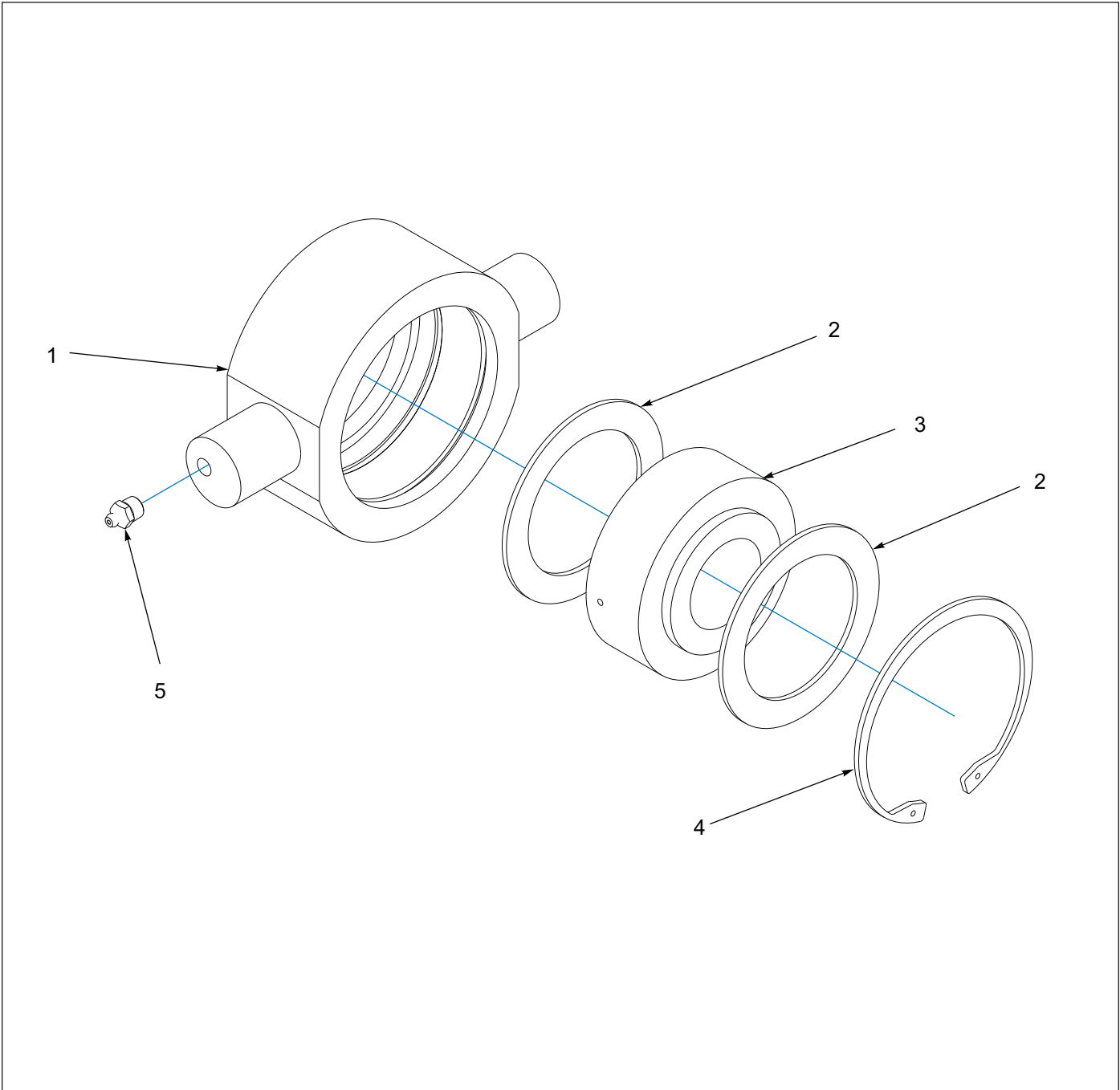


Figure 1-18: Disc Bearing Assembly

Disc Bearing Assembly

ITEM	PART NUMBER	DESCRIPTION	QTY
	140477	BEARING, DISC 1.775 ID ASM	--
1	140475	CASTING, TRUNNION BEARING	1
2	140473	WASHER, BEARING	2
3	140464	BEARING, DISC 1.775 ID	1
4	140476	INTERNAL RETAINING RING	1
5	5000	ZERK FITTING 1/8NPT	1

Roller Axle Assemblies, Notched Ductile

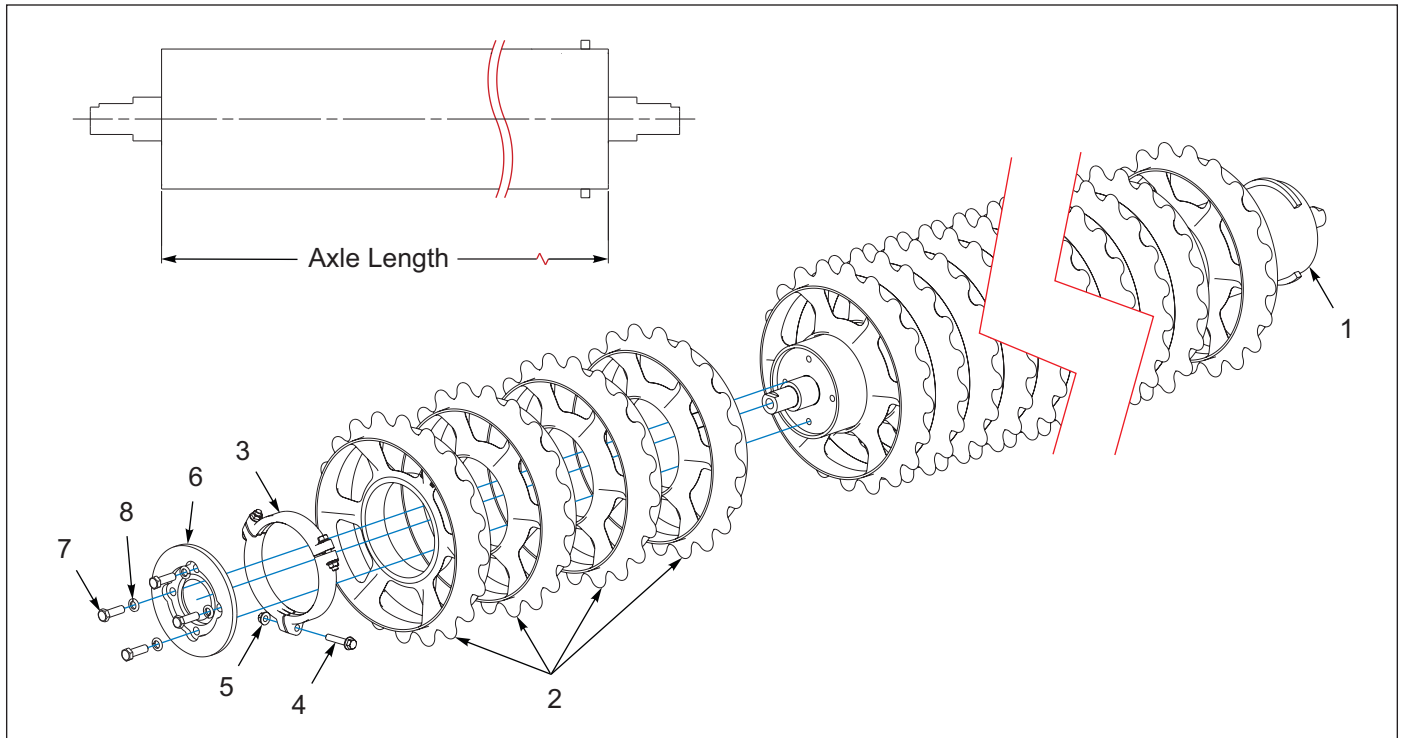


Figure 1-19: Roller Axle Assemblies, Notched Ductile

Roller Axle Assemblies, Notched Ductile

ITEM	PART NUMBER	DESCRIPTION	QTY							
			23	25	27	29	31	33	35	37
		WFP MODEL NUMBER	23	25	27	29	31	33	35	37
	231053	ROLLER ASM, 68" NOTCHED	1	--	--	--	--	--	--	--
	231054	ROLLER ASM, 80" NOTCHED	--	1	--	--	--	--	--	--
	231055	ROLLER ASM, 92" NOTCHED	--	--	1	--	--	--	--	--
	231056	ROLLER ASM, 104" NOTCHED	--	--	--	1	--	--	--	--
	231057	ROLLER ASM, 116" NOTCHED	--	--	--	--	1	--	--	--
	231058	ROLLER ASM, 128" NOTCHED	--	--	--	--	--	1	--	--
	231059	ROLLER ASM, 140" NOTCHED	--	--	--	--	--	--	1	--
	231060	ROLLER ASM, 152" NOTCHED	--	--	--	--	--	--	--	1
1	231045	AXLE WLD, 68" W/STUB SHAFTS	1	--	--	--	--	--	--	--
1	231046	AXLE WLD, 80" W/STUB SHAFTS	--	1	--	--	--	--	--	--
1	231047	AXLE WLD, 92" W/STUB SHAFTS	--	--	1	--	--	--	--	--
1	231048	AXLE WLD, 104" W/STUB SHAFTS	--	--	--	1	--	--	--	--
1	231049	AXLE WLD, 116" W/STUB SHAFTS	--	--	--	--	1	--	--	--
1	231050	AXLE WLD, 128" W/STUB SHAFTS	--	--	--	--	--	1	--	--
1	231051	AXLE WLD, 140" W/STUB SHAFTS	--	--	--	--	--	--	1	--
1	231052	AXLE WLD, 152" W/STUB SHAFTS	--	--	--	--	--	--	--	1
2	2P800	WHEEL,20 X8 1/8 BORE(7007319)	17	20	23	26	29	32	35	38
3	3P052	CLAMP, AXLE	3	3	3	3	3	3	3	3
4	172896	SCREW FLG HD 1/2-13X2-1/2 GR8	3	3	3	3	3	3	3	3
5	172509	NUT,1/2-13 WIDE FLNG TOP LCK F	3	3	3	3	3	3	3	3
6	191396	STOP, WHEEL WLDMT	1	1	1	1	1	1	1	1
7	1-654-010059-05	SCREW, HEX CAP,5/8-11UNCX2 GR5	4	4	4	4	4	4	4	4
8	1-861-010034-15	WASHER,LKG,HLCL SPR,5/8	4	4	4	4	4	4	4	4

Roller Axle Assemblies, Crowfoot

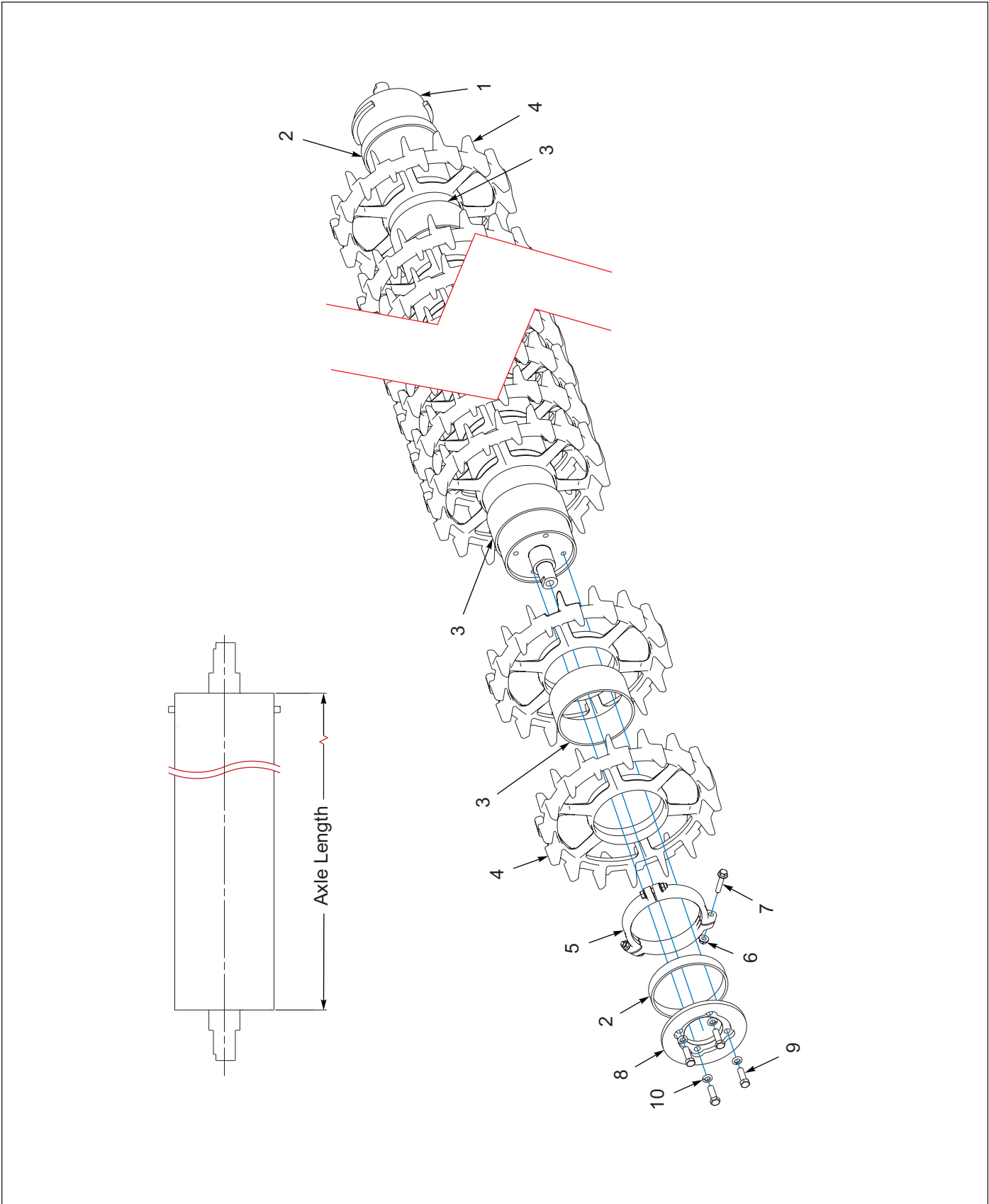


Figure 1-20: Roller Axle Assemblies, Crowfoot

Roller Axle Assemblies, Crowfoot

ITEM	PART NUMBER	DESCRIPTION	QTY							
			23	25	27	29	31	33	35	37
		WFP MODEL NUMBER								
	231061	ROLLER ASM, 68" RH CROWFOOT	1	--	--	--	--	--	--	--
	231069	ROLLER ASM, 68" LH CROWFOOT	1	--	--	--	--	--	--	--
	231062	ROLLER ASM, 80" RH CROWFOOT	--	1	--	--	--	--	--	--
	231070	ROLLER ASM, 80" LH CROWFOOT	--	1	--	--	--	--	--	--
	231063	ROLLER ASM, 92" RH CROWFOOT	--	--	1	--	--	--	--	--
	231071	ROLLER ASM, 92" LH CROWFOOT	--	--	1	--	--	--	--	--
	231064	ROLLER ASM, 104" RH CROWFOOT	--	--	--	1	--	--	--	--
	231072	ROLLER ASM, 104" LH CROWFOOT	--	--	--	1	--	--	--	--
	231065	ROLLER ASM, 116" RH CROWFOOT	--	--	--	--	1	--	--	--
	231073	ROLLER ASM, 116" LH CROWFOOT	--	--	--	--	1	--	--	--
	231066	ROLLER ASM, 128" RH CROWFOOT	--	--	--	--	--	1	--	--
	231074	ROLLER ASM, 128" LH CROWFOOT	--	--	--	--	--	1	--	--
	231067	ROLLER ASM, 140" RH CROWFOOT	--	--	--	--	--	--	1	--
	231075	ROLLER ASM, 140" LH CROWFOOT	--	--	--	--	--	--	1	--
	231068	ROLLER ASM, 152" RH CROWFOOT	--	--	--	--	--	--	--	1
	231076	ROLLER ASM, 152" LH CROWFOOT	--	--	--	--	--	--	--	1
1	231045	AXLE WLD, 68" W/STUB SHAFTS	1	--	--	--	--	--	--	--
1	231046	AXLE WLD, 80" W/STUB SHAFTS	--	1	--	--	--	--	--	--
1	231047	AXLE WLD, 92" W/STUB SHAFTS	--	--	1	--	--	--	--	--
1	231048	AXLE WLD, 104" W/STUB SHAFTS	--	--	--	1	--	--	--	--
1	231049	AXLE WLD, 116" W/STUB SHAFTS	--	--	--	--	1	--	--	--
1	231050	AXLE WLD, 128" W/STUB SHAFTS	--	--	--	--	--	1	--	--
1	231051	AXLE WLD, 140" W/STUB SHAFTS	--	--	--	--	--	--	1	--
1	231052	AXLE WLD, 152" W/STUB SHAFTS	--	--	--	--	--	--	--	1
2	164675	TUBE RD 8.125X8.625X1.25	2	2	2	2	2	2	2	2
3	164676	TUBE RD 8.125X8.625X3.75	10	12	14	16	18	20	22	24
4	164639	WHEEL, CROW FOOT, 20"X8" BORE	11	13	15	17	19	21	23	25
5	3P052	CLAMP, AXLE	3	3	3	3	3	3	3	3
6	172896	SCREW FLG HD 1/2-13X2-1/2 GR8	3	3	3	3	3	3	3	3
7	172509	NUT,1/2-13 WIDE FLNG TOP LCK F	3	3	3	3	3	3	3	3
8	191396	STOP, WHEEL WLDMT	1	1	1	1	1	1	1	1
9	1-654-010059-05	SCREW, HEX CAP,5/8-11UNCX2 GR5	4	4	4	4	4	4	4	4
10	1-861-010034-15	WASHER,LKG,HLCL SPR,5/8	4	4	4	4	4	4	4	4

Roller Axle Assemblies, Optimizer, WFP23-27

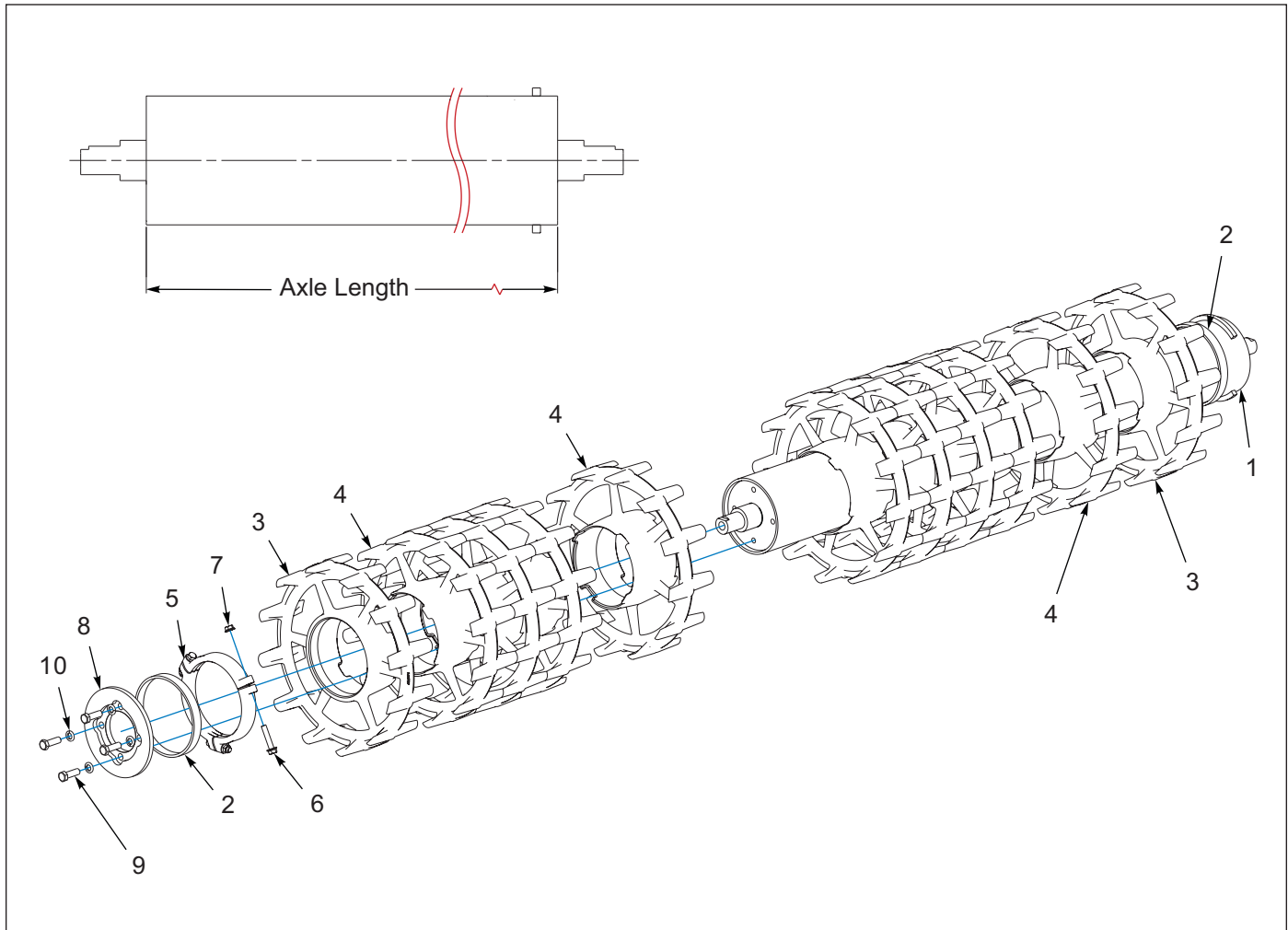


Figure 1-21: Roller Axle Assemblies, Optimizer, WFP23-27

Roller Axle Assemblies, Optimizer, WFP23-27

ITEM	PART NUMBER	DESCRIPTION	QTY		
		WFP MODEL NUMBER	23	25	27
	231077	ROLLER ASM, 68" OPTIMIZER	1	--	--
	231078	ROLLER ASM, 80" OPTIMIZER	--	1	--
	231079	ROLLER ASM, 92" OPTIMIZER	--	--	1
1	231045	AXLE WLD, 68" W/STUB SHAFTS	1	--	--
1	231046	AXLE WLD, 80" W/STUB SHAFTS	--	1	--
1	231047	AXLE WLD, 92" W/STUB SHAFTS	--	--	1
2	179440	TUBE, RD 8.125 X 8.625 X 1.0	2	2	2
3	164709	OPTIMIZER END WHEEL, 8" AXLE	2	2	2
4	3P300	WHEEL, OPTIMIZER, 8" AXLE	9	11	13
5	3P052	CLAMP, AXLE	3	3	3
6	172896	SCREW FLG HD 1/2-13X2-1/2 GR8	3	3	3
7	172509	NUT, 1/2-13 WIDE FLANGE TOP LCK F	3	3	3
8	191396	STOP, WHEEL WLDMT	1	1	1
9	1-654-010059-05	SCREW, HEX CAP, 5/8-11UNCX2 GR5	4	4	4
10	1-861-010034-15	WASHER, LKG, HLCL SPR, 5/8	4	4	4

Roller Axle Assemblies, Optimizer, WFP29-37

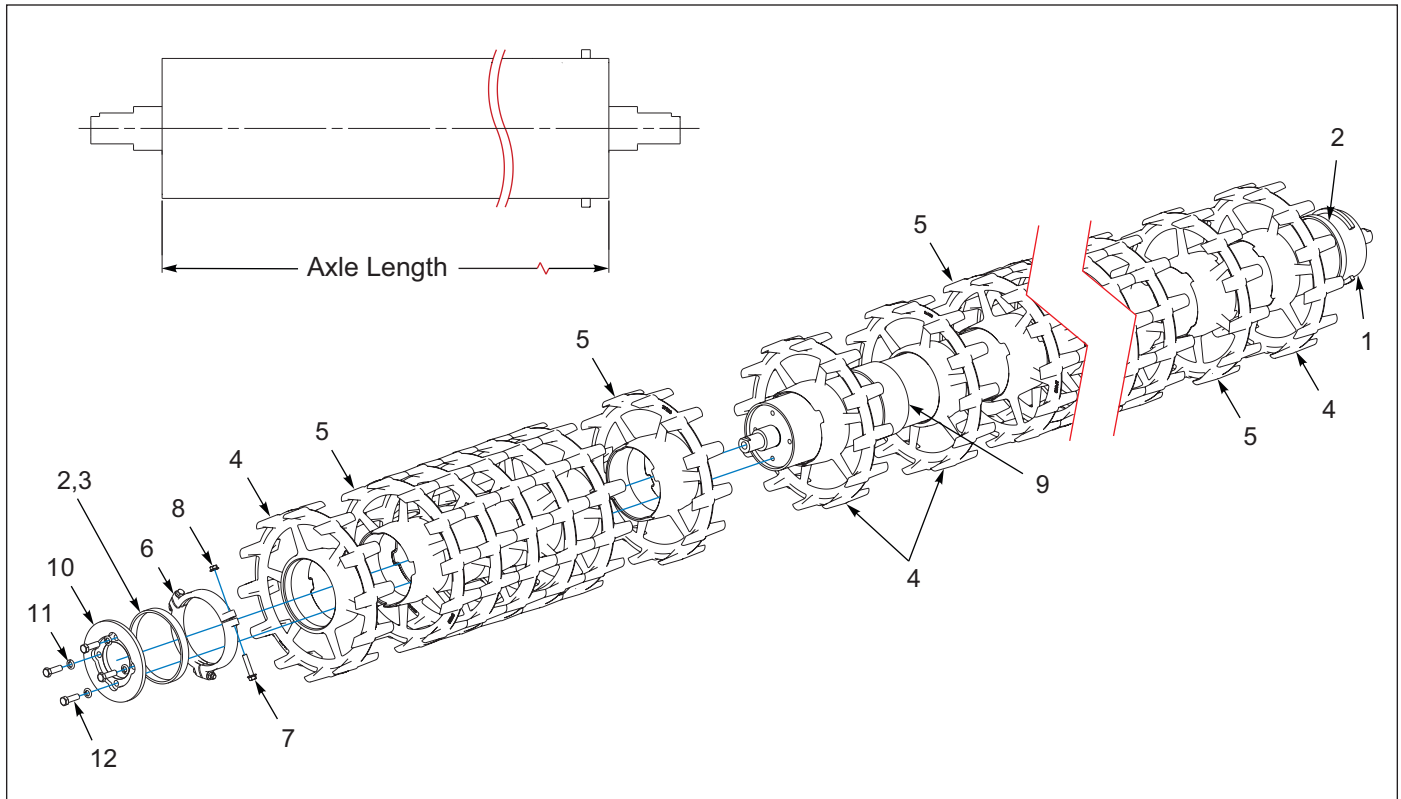


Figure 1-22: Roller Axle Assemblies, Optimizer, WFP29-37

Roller Axle Assemblies, Optimizer, WFP29-37

ITEM	PART NUMBER	DESCRIPTION	QTY				
			29	31	33	35	37
		WFP MODEL NUMBER	29	31	33	35	37
	231080	ROLLER ASM, 104" OPTIMIZER	1	--	--	--	--
	231081	ROLLER ASM, 116" OPTIMIZER	--	1	--	--	--
	231082	ROLLER ASM, 128" OPTIMIZER	--	--	1	--	--
	231083	ROLLER ASM, 140" OPTIMIZER	--	--	--	1	--
	231084	ROLLER ASM, 152" OPTIMIZER	--	--	--	--	1
1	231048	AXLE WLD, 104" W/STUB SHAFTS	1	--	--	--	--
1	231049	AXLE WLD, 116" W/STUB SHAFTS	--	1	--	--	--
1	231050	AXLE WLD, 128" W/STUB SHAFTS	--	--	1	--	--
1	231051	AXLE WLD, 140" W/STUB SHAFTS	--	--	--	1	--
1	231052	AXLE WLD, 152" W/STUB SHAFTS	--	--	--	--	1
2	179346	TUBE RD 8.125 X 8.625 X .781	1	1	1	2	2
3	179440	TUBE, RD 8.125 X 8.625 X 1.0	1	1	1	--	--
4	164709	OPTIMIZER END WHEEL, 8" AXLE	4	4	4	4	4
5	3P300	WHEEL, OPTIMIZER, 8" AXLE	13	15	17	19	21
6	3P052	CLAMP, AXLE	3	3	3	3	3
7	172896	SCREW FLG HD 1/2-13X2-1/2 GR9	3	3	3	3	3
8	172509	NUT,1/2-13 WIDE FLANGE TOP LCK F	3	3	3	3	3
9	174890	TUBE, RD 8.125 X 8.625 X 3.875	1	1	1	1	1
10	191396	STOP, WHEEL WLDMT	1	1	1	1	1
11	1-654-010059-05	SCREW, HEX CAP,5/8-11UNCX2 GR5	4	4	4	4	4
12	1-861-010034-15	WASHER,LKG,HLCL SPR,5/8	4	4	4	4	4

Scraper Kit - Optional

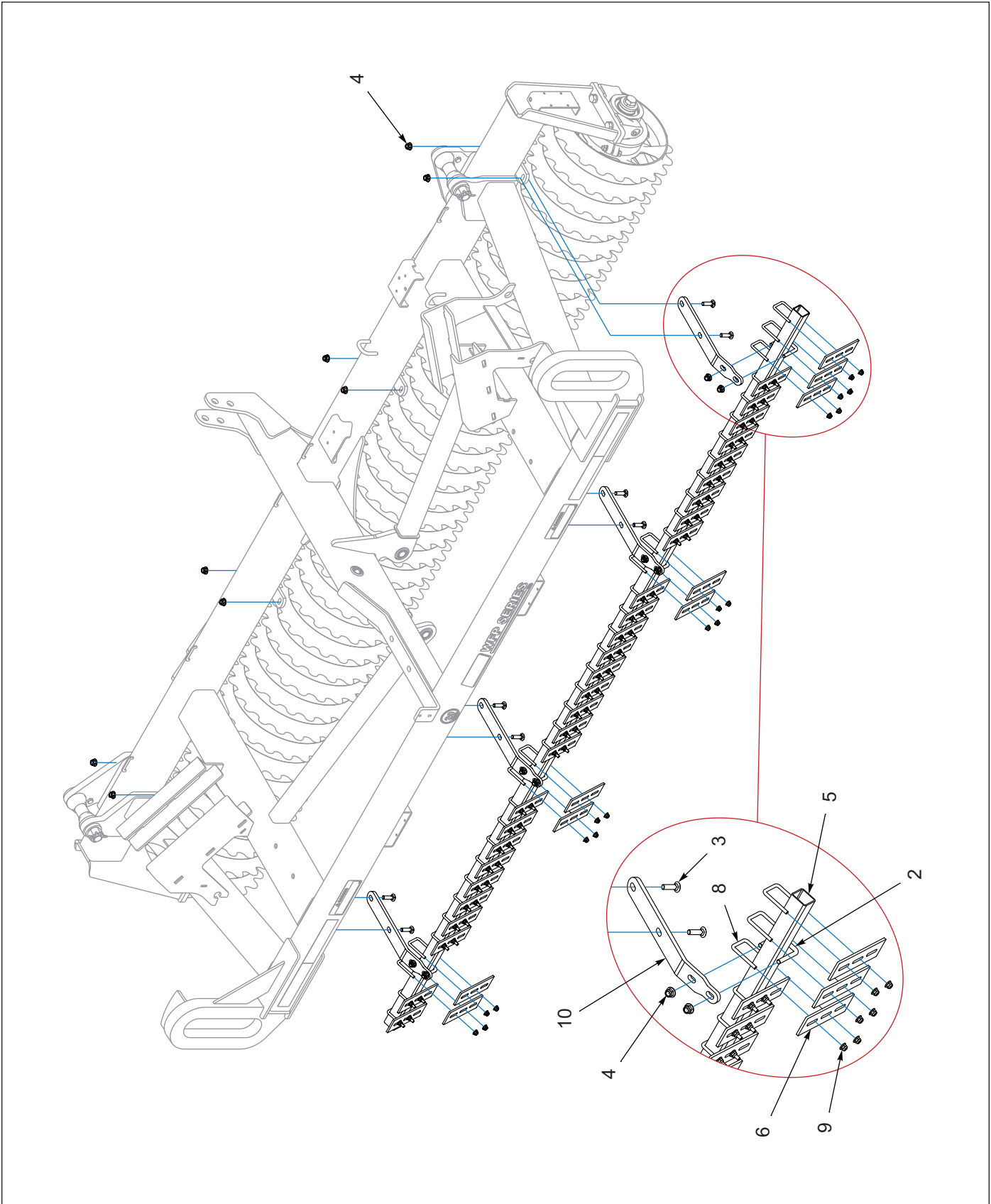


Figure 1-23: Center Scraper - Optional

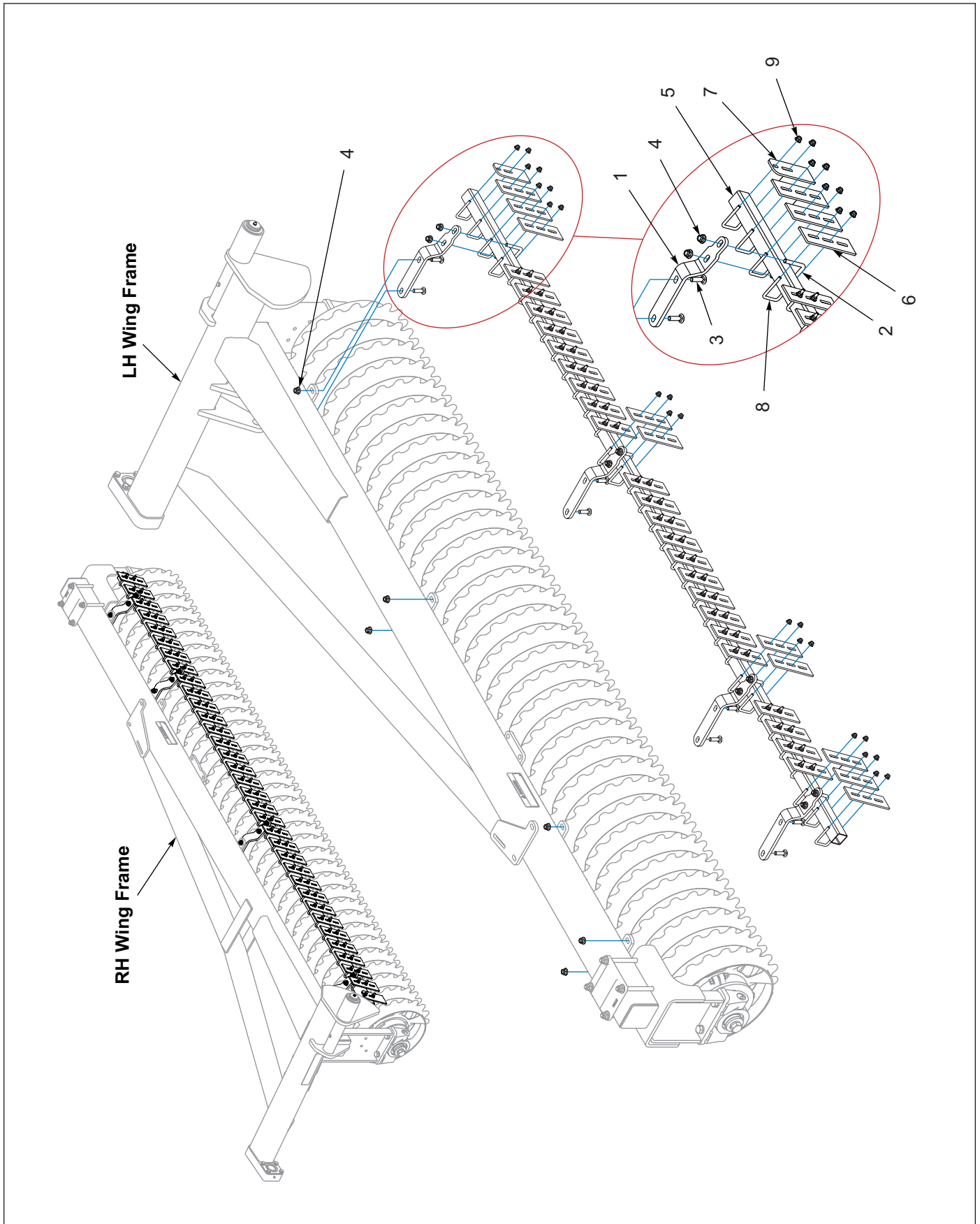


Figure 1-24: Wing Scraper - Optional

Scraper Installation

ITEM	PART NUMBER	DESCRIPTION	QTY							
			23	25	27	29	31	33	35	37
		WFP MODEL NUMBER								
	2P483	SCRAPER KIT, WFPD 23'	1	--	--	--	--	--	--	--
	2P482	SCRAPER KIT, WFPD 25'	--	1	--	--	--	--	--	--
	2P481	SCRAPER KIT, WFPD 27'	--	--	1	--	--	--	--	--
	2P480	SCRAPER KIT, WFPD 29'	--	--	--	1	--	--	--	--
	2P479	SCRAPER KIT, WFPD 31'	--	--	--	--	1	--	--	--
	2P478	SCRAPER KIT, WFPD 33'	--	--	--	--	--	1	--	--
	2P477	SCRAPER KIT, WFPD 35'	--	--	--	--	--	--	1	--
	2P476	SCRAPER KIT, WFPD 37'	--	--	--	--	--	--	--	1
1	2P271	MOUNT, WING SCRAPER	4	4	6	6	6	6	8	8
2	5D921	U-BOLT, 1/2-13 X 2-5/8 X 3-1/4	8	8	10	10	10	10	12	12
3	1-654-010070-04	SCREW, RDHD SQNK 1/2-13 X 1-3/4	16	16	20	20	20	20	24	24
4	2P253	NUT, FLANGE NY-LOK 1/2-13	32	32	40	40	40	40	48	48
5	9J057	SCRAPER TUBE - 148" (SQ 2 X 148)	--	--	--	--	--	--	--	2
		(CENTER TUBE ON ALL MODELS)	1	1	1	1	1	1	1	1
5	9J962	TUBE (SQ 2 X 136)	--	--	--	--	--	--	2	--
5	9J056	SCRAPER TUBE - 124" (SQ 2 X 124)	--	--	--	--	--	2	--	--
5	9J960	TUBE (SQ 2 X 112)	--	--	--	--	2	--	--	--
5	9J959	TUBE (SQ 2 X 100)	--	--	--	2	--	--	--	--
5	9J958	TUBE (SQ 2 X 88)	--	--	2	--	--	--	--	--
5	9J957	TUBE (SQ 2 X 76)	--	2	--	--	--	--	--	--
5	9J956	SCRAPER TUBE (SQ 2 X 64)	2	--	--	--	--	--	--	--
6	8J014	SCRAPER	67	73	79	85	91	97	103	109
7	9J930	SCRAPER (SHORT)	2	2	2	2	2	2	2	2
8	8J015	U-BOLT, 3/8-16 X 2-7/16 X 3-1/4	69	75	81	87	93	99	105	111
9	2P252	NUT, FLANGE NY-LOK 3/8-16	138	150	162	174	186	198	210	222
10	2P465	MOUNT, CENTER SCRAPER	4	4	4	4	4	4	4	4

Hydraulic Layout

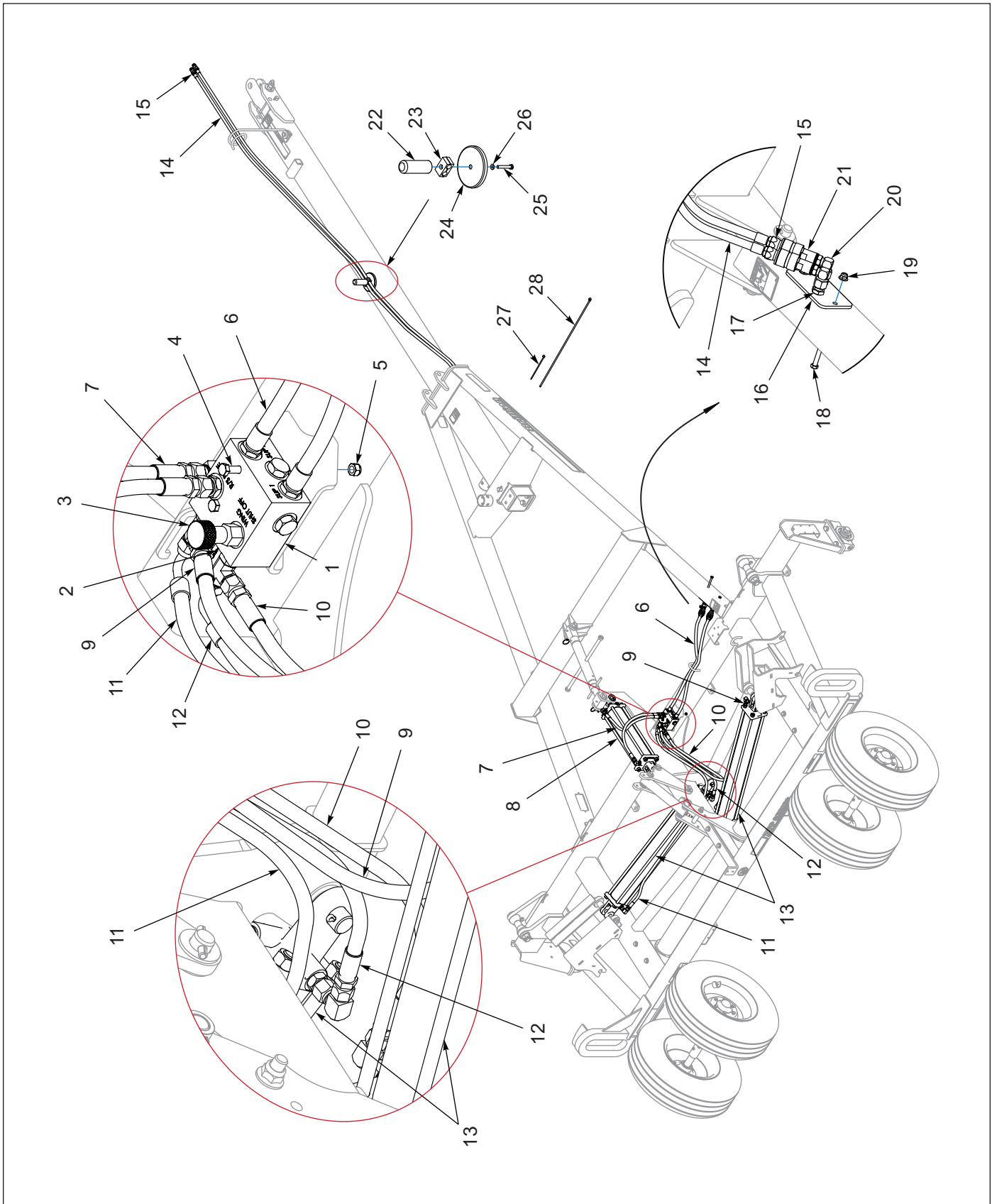


Figure 1-25: Hydraulic Layout

Hydraulic Layout

ITEM	PART NUMBER	DESCRIPTION	QTY
1	164763	MANIFOLD, RELIEF, SHUTOFF CAVIT	1
2	175159	VALVE,#10RELIEFP.O.W/REV CHECK	1
3	171000	CARTRIDGE, SHUT OFF VALVE (INCLUDES ITEM 29)	1
4	103464	SCREW, HX CP 5/16-18UNC X 3, GR5	2
5	104032	NUT, HX SLF-LKG W/MYL 5/16-18	2
6	170508	HOSE, HYD 3/8 X 36, -8 ORB (8MOR X 8MOR)	2
7	147582	HOSE ASM, 3/8 X 24 #8 JIC SWIV	2
8	9D731	HYD CYLINDER - 4 X 16 (SEE PAGE 1-55) (SEE PAGE 1-56)	1
9	123547	HOSE ASM, 3/8 X 56 #8 JIC SWIVL	1
10	71508985	HOSE, 3/8 X 30 (8FJS X 8FJS)	1
11	175107	HOSE ASM,3/8X70,#8STR-#8-90 (8FJS X 8FJS90°)	1
12	123062	HOSE ASM, 3/8 X 27 #8STR-#8-90 (8FJS X 8FJS90°)	1
13	2P460	HYD CYLINDER - 4 X 36 (WFP23-29) (SEE PAGE 1-57)	2
13	183553	HYD CYLINDER - 4-1/2 X 36 (WFP31-37) (SEE PAGE 1-58)	2
14	175104	HOSE ASSY3/8X250,#8ORBX90#8JIC (8MOR X 8FJS90°) (RIGID DRAWBAR)	2
14	174945	HOSE ASSY3/8X284,#8ORBX90#8 JIC (8MOR X 8FJS90°) (TELESCOPING DRAWBAR)	2
15	141828	COUPLER, MALE 3/4-16 O-RING	4
16	164747	PLATE DRAWBAR BULKHEAD	1
17	102-0322	37 FLARE BULKHEAD/37 FLARE (BULKHEAD, 8MJ)	2
18	108295	SCREW, HX CP 3/8-16UNC X 4, GR5	2
19	2P252	NUT, FLANGE NY-LOK 3/8-16	2
20	2P140	ELBOW, 08MOR X 08FJS X 90DEG	2
21	142668	COUPLER FEMALE 3/4-16 O-RING	2
22	164762	HANDLE HOSE MAGNET	1
23	1P937	TWIN CLAMP PAIR, .67" DIA	2
24	164761	MAGNET, 190# PULL	1
25	1-654-010049-09	SCREW, HX CP 5/16-18UNC X 2	1
26	1-861-010032-09	WASHER, FLAT 5/16 W, ZP/CD	1
27	105-0228	HOSE TIE - 8"	8
28	105874	TIE, STRAP PLSTC 21.5 24 X .301	2
29	229393	SEAL KIT FOR 171000 (NOT SHOWN)	1

Hydraulic Schematic

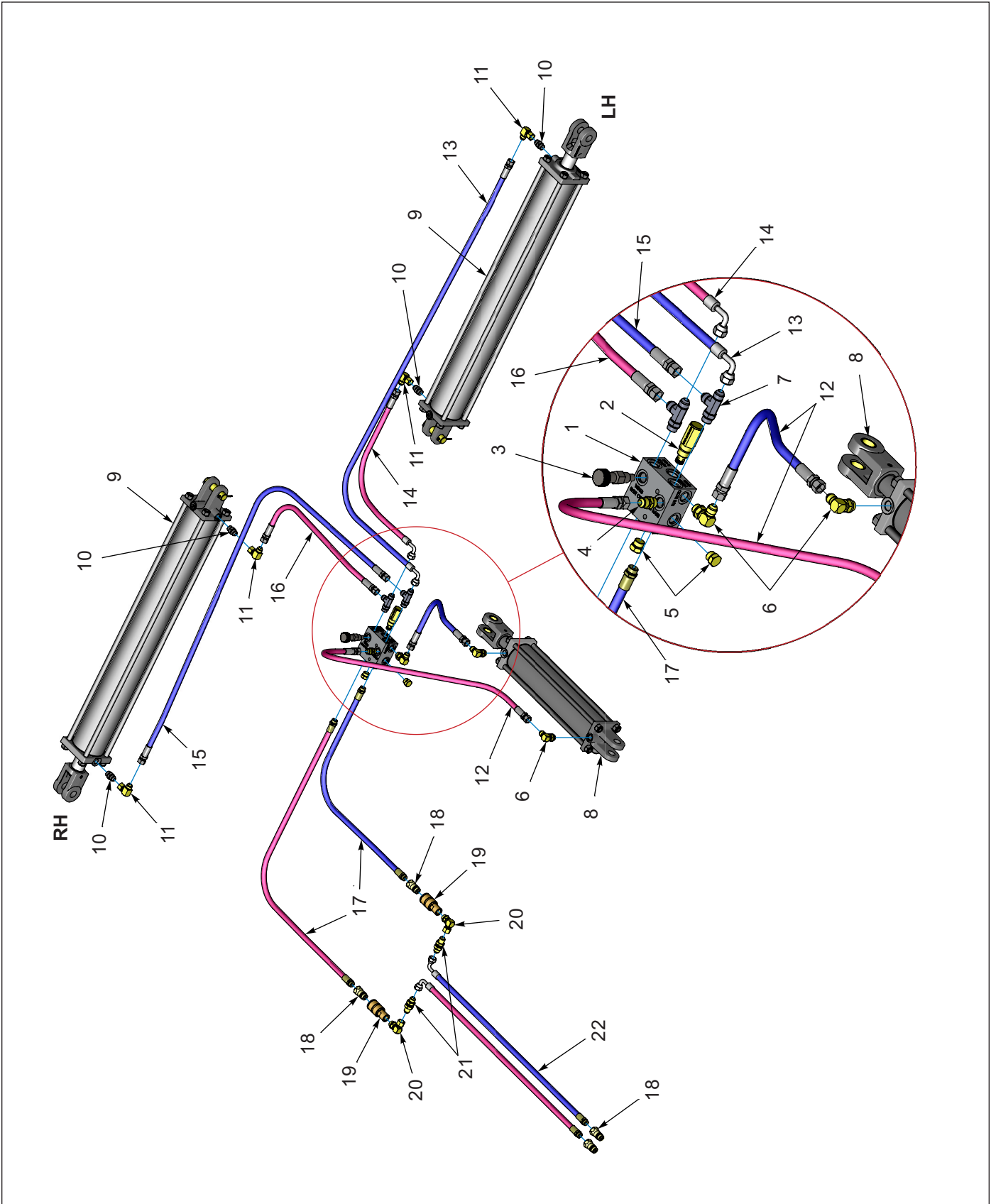


Figure 1-26: Hydraulic Schematic

Hydraulic Schematic

ITEM	PART NUMBER	DESCRIPTION	QTY
1	164763	MANIFOLD, RELIEF, SHUTOFF CAVIT	1
2	175159	VALVE, #10 RELIEF P.O. W/REV CHECK	1
3	171000	CARTRIDGE, SHUT OFF VALVE (INCLUDES ITEM 23)	1
4	202702-8-8S	ADAPTER, #8 O-RING TO 38 TUBE (8MJ X 8MOR)	1
5	102-1187	PLUG, -8M O-RING AQP#900598-8S (8MOR)	3
6	2062-8-8S	ADAPTER 90, #8 O-RING-TUBE (ELBOW, 8MJ X 8MOR X 90°)	3
7	203005-8-8S	ADAPTER, TEE, #8 O-RING-TUBE (TEE, RUN 8MJ X 8MOR)	2
8	9D731	HYD CYLINDER - 4 X 16 (SEE PAGE 1-55) (SEE PAGE 1-56)	1
9	2P460	HYD CYLINDER - 4 X 36 (WFP23-29) (SEE PAGE 1-57)	2
9	183553	HYD CYLINDER - 4-1/2 X 36 (WFP31-37) (SEE PAGE 1-58)	2
10	4K607	RESTRICTOR 3/4-16 (.078) (8MJ X 8MOR)	4
11	2071-8-8S	ADAPTER, 90 #8 FLR SWIVEL #8JIC (ELBOW, 8MJ X 8FJS X 90°)	6
12	147582	HOSE ASM, 3/8 X 24 #8 JIC SWIV	2
13	175107	HOSE ASM, 3/8 X 70, #8STR #8-90 (8FJS X 8FJS90°)	1
14	123062	HOSE ASM, 3/8 X 27 #8STR-#8-90 (8FJS X 8FJS90°)	1
15	123547	HOSE ASM, 3/8 X 56 #8 JIC SWIVL	1
16	71508985	HOSE, 3/8 X 30 (8FJS X 8FJS)	1
17	170508	HOSE, HYD 3/8 X 36, -8 ORB (8MOR X 8MOR)	2
18	141828	COUPLER, MALE 3/4-16 O-RING	4
19	142668	COUPLER, FEMALE 3/4-16 O-RING	2
20	2P140	ELBOW, 08MOR X 08FJS X 90DEG	2
21	102-0322	37 FLARE BULKHEAD/37 FLARE (BULKHEAD, 8MJ)	2
22	175104	HOSE ASM, 3/8 X 250, #8ORB X 90 #8JIC (8MOR X 8FJS90) (RIGID DRAWBAR)	2
22	174945	HOSE ASM, 3/8 X 284, #8ORB X 90 #8JIC (8MOR X 8FJS90) (TELESCOPING DRAWBAR)	2
23	229393	SEAL KIT FOR 171000 (NOT SHOWN)	1

Electrical Layout and SMV

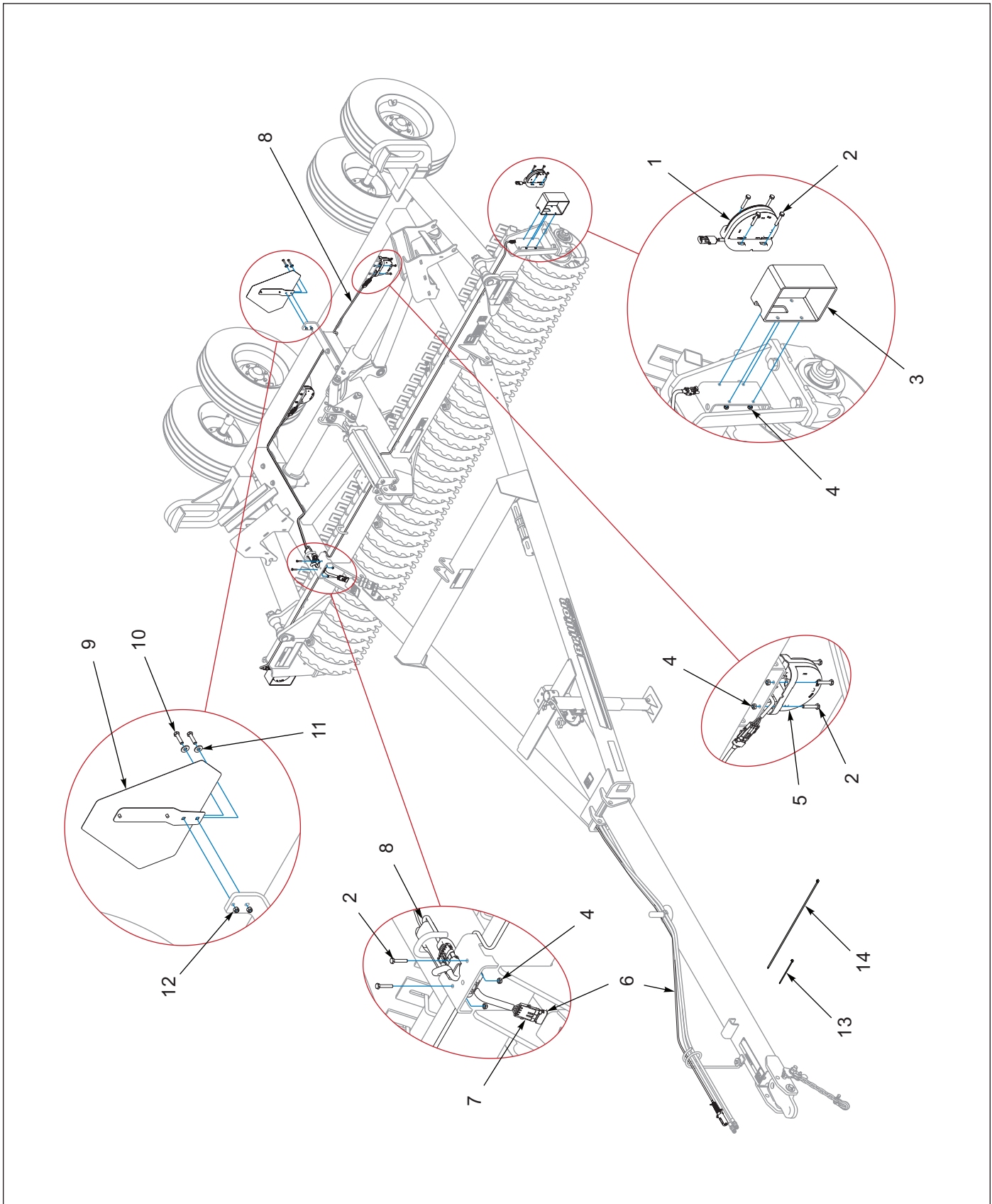


Figure 1-27: Electrical Layout and SMV

Electrical Layout and SMV

ITEM	PART NUMBER	DESCRIPTION	QTY
1	174436	LAMP, AG AMBER SINGLE LED	2
2	1-654-010047-08	SCREW, HX CP, 1/4-20UNC X 1-1/2, G5	18
3	178534	TUBE, LIGHT SHIELD, 5 X 7	2
4	1-512-010005-01	NUT, HEX SLFLKG GRB 1/4-20	18
5	174435	LAMP, AG RED SINGLE LED	2
6	175152	HARNESS, 7 PIN/4 PIN WP (25 FT)	1
7	174437	MODULE, AG FLASHER CONTROL	1
8	175151	HARNESS, LED WARNING LIGHTS	1
9	2P151	SMV W/BACKET	1
10	1-654-010049-06	SCREW, H/CAP, 5/16-18UNC X 1-1/4	2
11	1-861-010032-09	WASHER, FLAT 5/16 W, ZP/CD	2
12	104032	NUT, HX SLF-LKG W/MYL 5/16-18	2
13	105-0228	TYWRAP 8IN LG TY-5272MX	29
14	7K678	CABLE TIE	10

Electrical Schematic

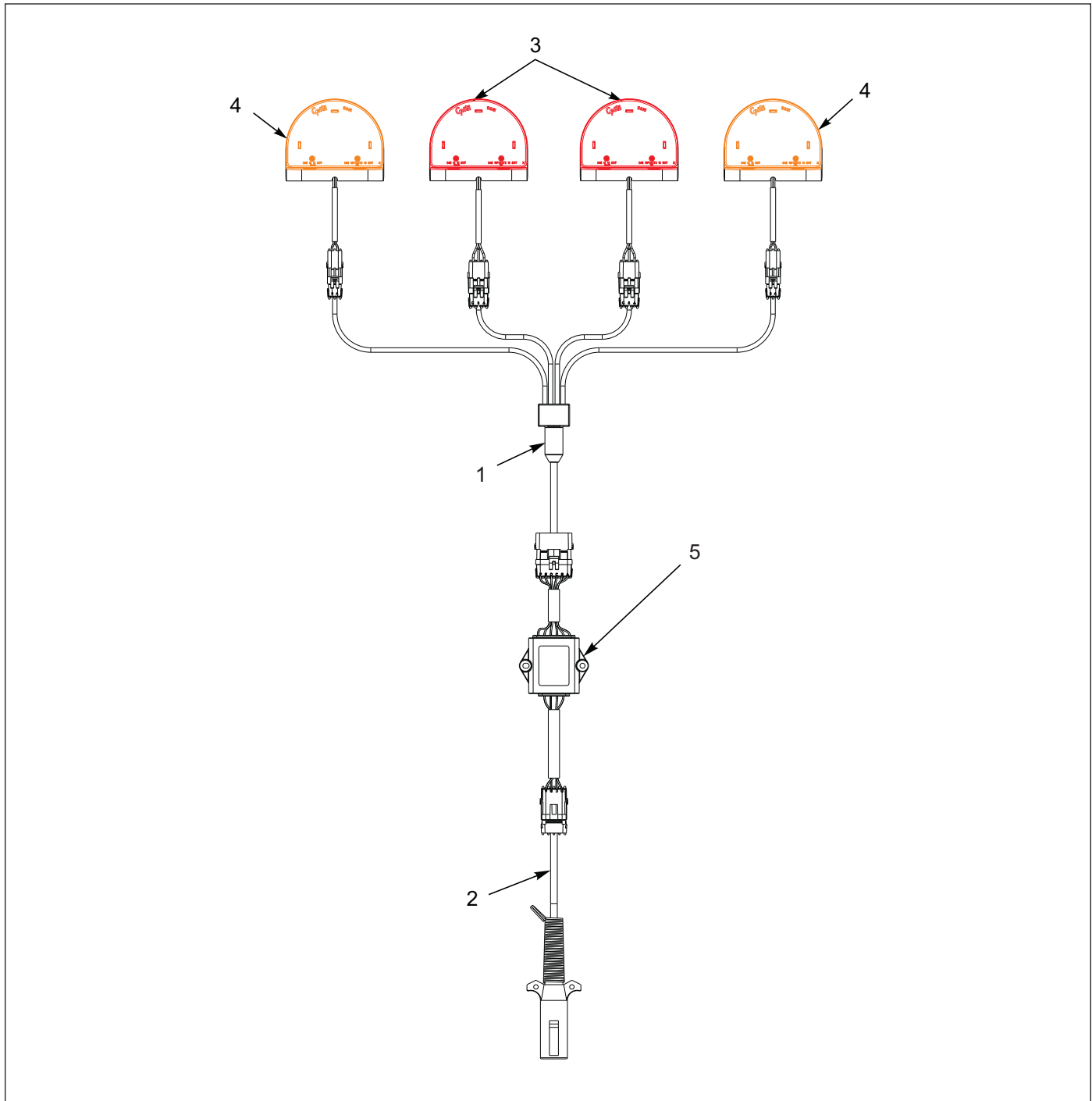


Figure 1-28: Electrical Schematic

Electrical Schematic

ITEM	PART NUMBER	DESCRIPTION	QTY
1	175151	HARNESS, LED WARNING LIGHTS	1
2	175152	HARNESS, 7PIN/4PIN WP (25FT)	1
3	174435	LAMP, AG RED SINGLE LED	2
4	174436	LAMP, AG AMBER SINGLE LED	2
5	174437	MODULE, AG FLASHER CONTROL	1

Acre Meter Kit - Optional

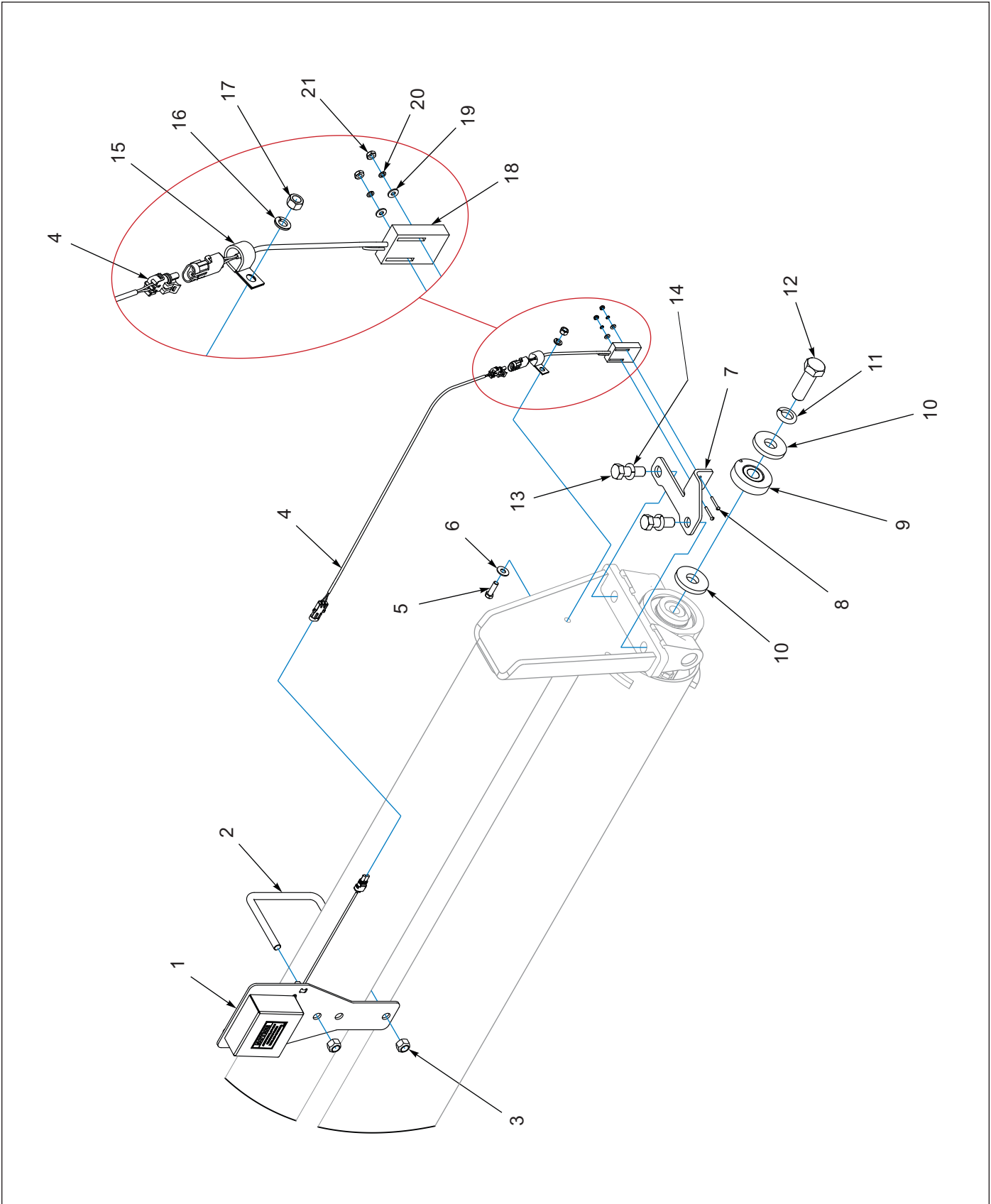


Figure 1-29: Acre Meter Kit - Optional

Acre Meter Kit - Optional

ITEM	PART NUMBER	DESCRIPTION	QTY
	184484	ACRE METER KIT	1
1	184483	ACRE METER ASM (SEE PAGE 1-48)	1
2	9D989	U-BOLT, 5/8-11 X 5-5/8 X 4-11/16	1
3	1-512-010005-13	NUT, HEX SLFLKG GRB 5/8-11	2
4	165622	HARNESS-MAKEUP, ACRE METER	1
5	1-654-010051-06	SCREW, HEX CAP 3/8-16UNC X 1-1/4	1
6	1-861-010032-11	WASHER, FLAT 3/8 W, ZP/CD	1
7	184478	BRACKET, ACRE METER PICKUP	1
8	5K262	ROUND HEAD MACHINE SCREW	2
9	184481	MAGNET WHEEL ASM	1
10	154185	WASHER, 3/8 THICK 1" ID (ONE IS EXISTING HARDWARE)	2
11	1-861-010034-21	WASHER, LKG HEL SPRG 1IN (EXISTING HARDWARE)	1
12	3J608	BOLT, 1-8 X 3	1
13	1-654-010061-06	SCREW, HXCP, 3/4-10UNC X 2-1/4, GR5 (EXISTING HARDWARE)	2
14	1-861-010034-17	WASHER, LKG, HCL SPR, 3/4 (EXISTING HARDWARE)	2
15	3J614	HOSE CLAMP	1
16	1-861-010034-11	WASHER, LKG HLCL SPR, 3/8	1
17	1-512-010007-07	NUT, HEX 3/8-16, ZP	1
18	153862	SWITCH ASM, ELECTRONIC ACRE	1
19	1-861-010032-02	WASHER, FL #8, ZP/CD	2
20	118-5098	#8 LOCK WASHER, ZP	2
21	1-512-010007-02	NUT, HEX 8-32, ZP	2

Acre Meter Assembly - Optional

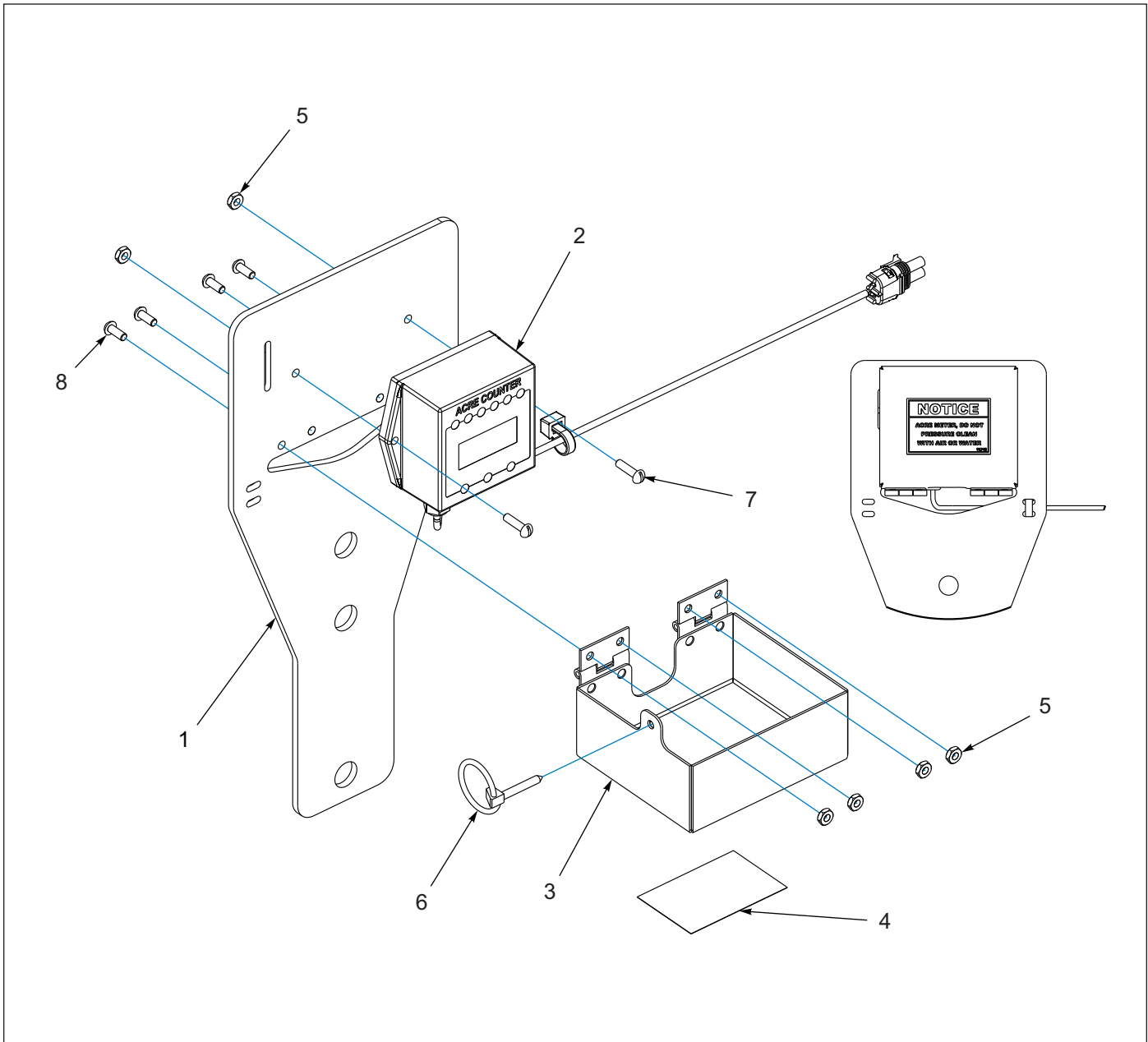


Figure 1-30: Acre Meter Assembly - Optional

Acre Meter Assembly - Optional

ITEM	PART NUMBER	DESCRIPTION	QTY
	184483	ACRE METER ASM	1
1	184482	BRACKET, ACRE METER	1
2	170948	CONSOLE, ELECTRONIC ACRE	1
3	170946	COVER ACRE METER	1
4	9K740	DECAL, ACRE METER	1
5	1-512-010007-03	NUT, HEX 10-24	6
6	5D129	KLIK PIN	1
7	1-656-010003051	SCREW, RH HD MACH 10-24 X 3/4	2
8	1C213	STOVE BOLT #10-24 X 1/2 RDHD, ZP	4

Float Lock Kit - Optional

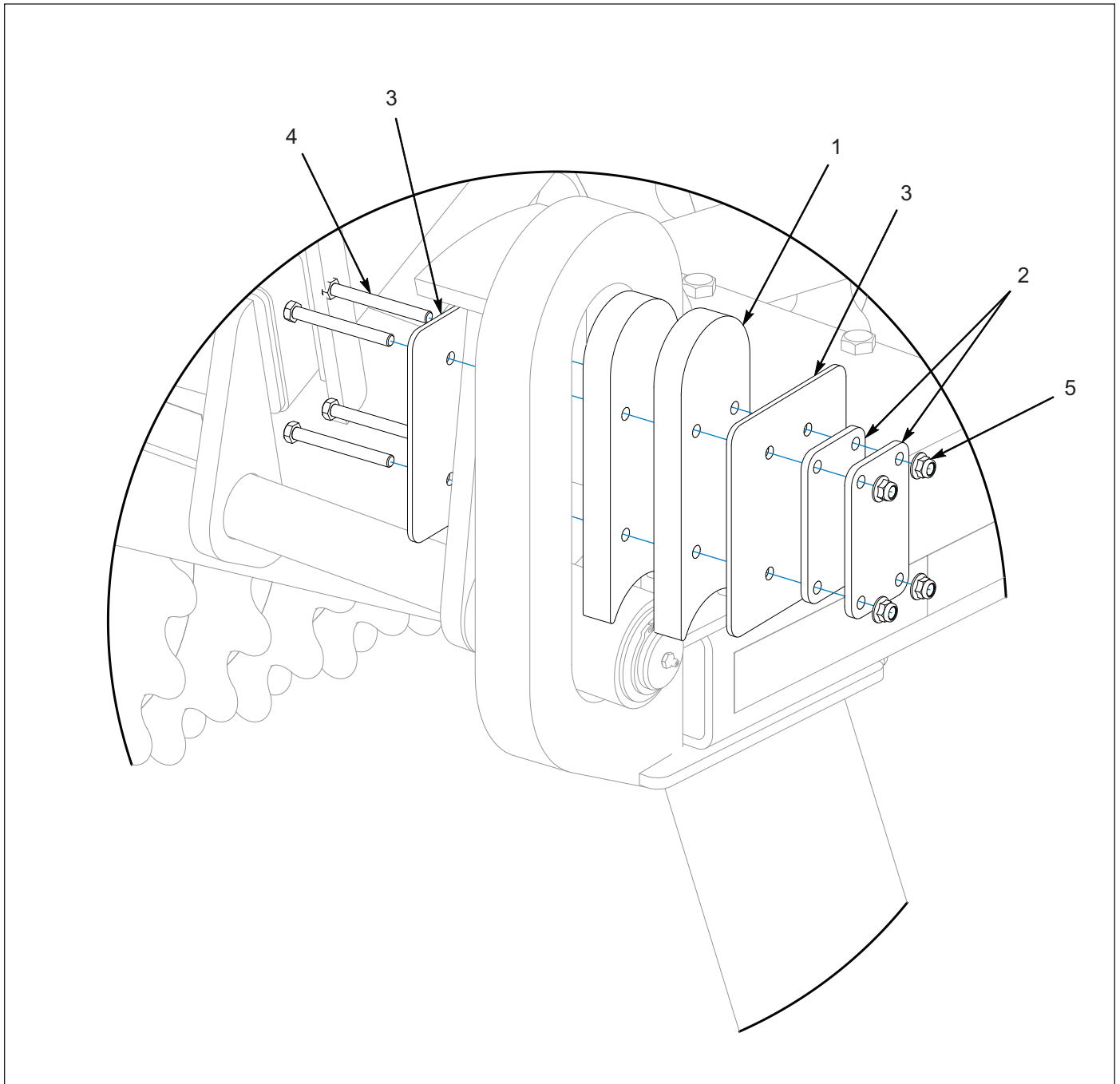


Figure 1-31: Float Lock Kit - Optional

Float Lock Kit - Optional

ITEM	PART NUMBER	DESCRIPTION	QTY
	168356	KIT, WFP FLOAT LOCK	1
1	164667	STOP, WING FLOAT	4
2	175189	SPACER, FLOAT LOCK	4
3	164668	PLATE, WING FLOAT STOP	4
4	141807	SCREW, ALL THREAD, 3/8-16UNC X 3-1/2, GR5	8
5	2P252	NUT, FLANGE NY-LOK 3/8-16	8

Clamp End Spacer Kits, 1/2" and 3/4" - Optional

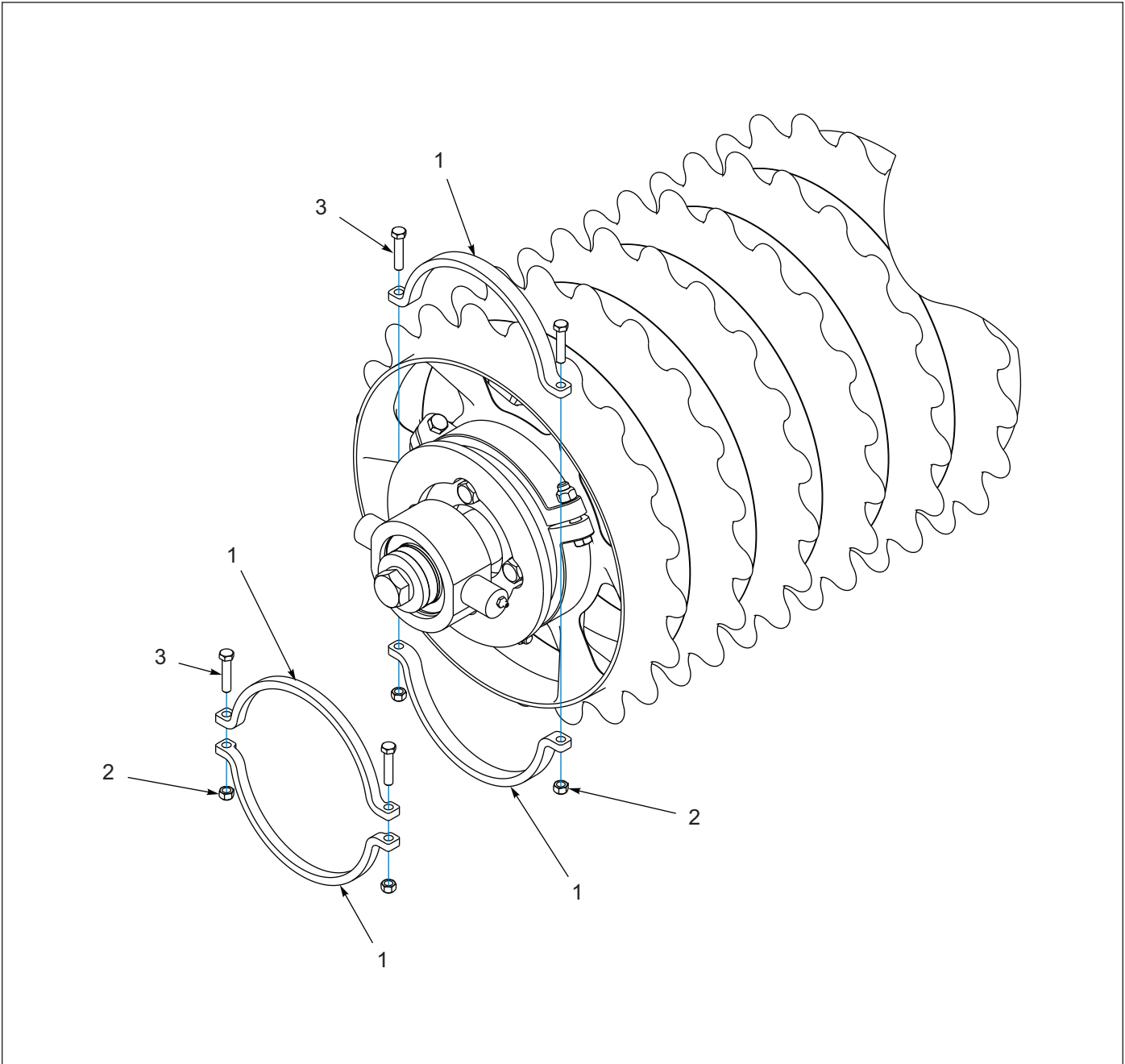


Figure 1-32: Clamp End Spacer Kits, 1/2" and 3/4" - Optional

Clamp End Spacer Kits, 1/2" and 3/4" - Optional

ITEM	PART NUMBER	DESCRIPTION	QTY	
			1/2"	3/4"
	201443	KIT, 1/2" CLAMP END SPACER	1	--
	201442	KIT, 3/4" CLAMP END SPACER	--	1
1	185141	AXLE SPACER, 1/2"	2	--
1	185142	AXLE SPACER, 3/4"	--	2
2	1-512-010005-05	NUT, HEX SLFLKG GRB 3/8-16	2	2
3	1-654-010051-08	SCREW, HEX CAP, 3/8-16 X 1-3/4	2	2

Clamp End Spacer Kits, 1", 1-1/4" and 1-1/2" - Optional

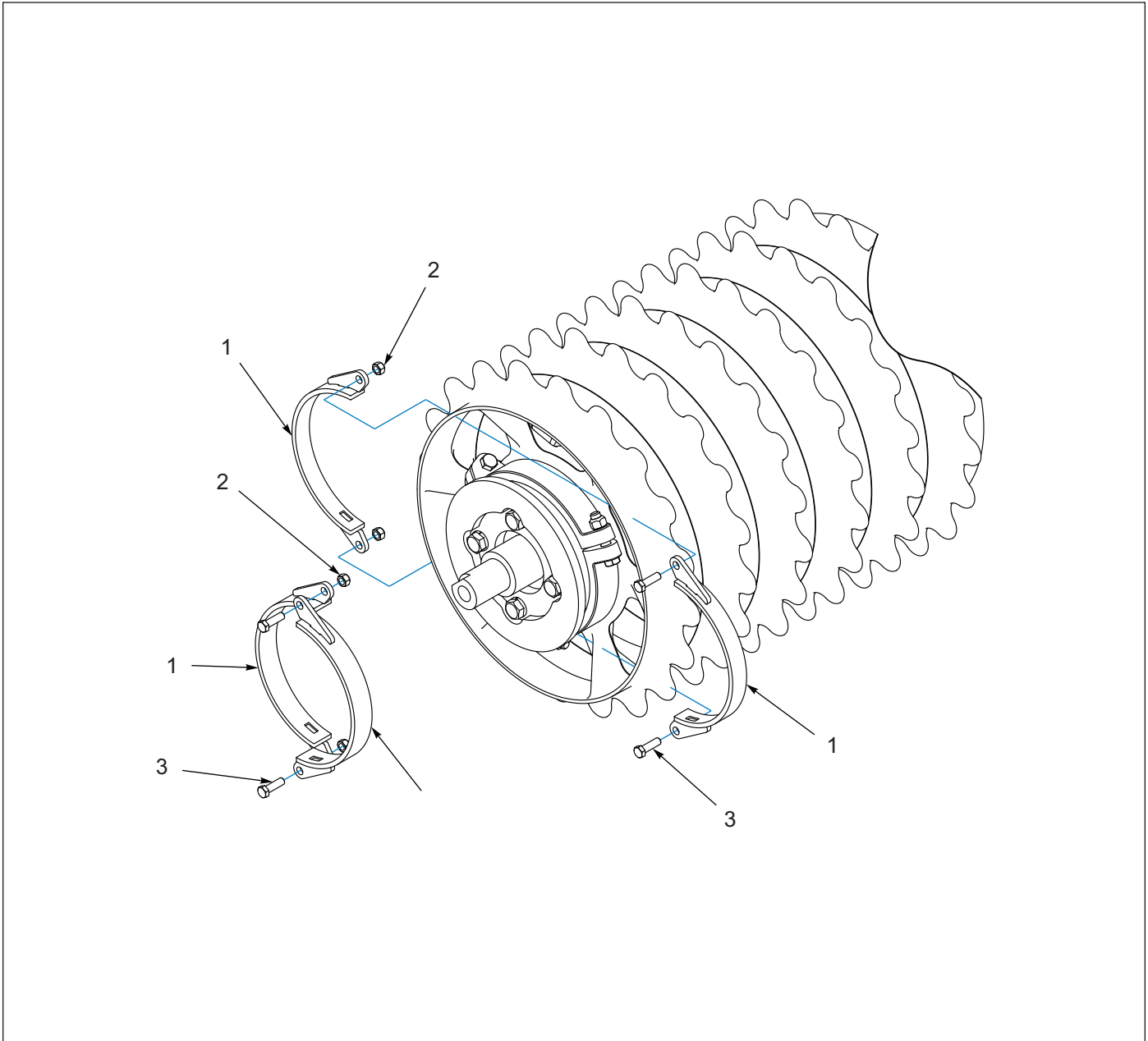


Figure 1-33: Clamp End Spacer Kits, 1", 1-1/4" and 1-1/2" - Optional

Clamp End Spacer Kits, 1", 1-1/4" and 1-1/2" - Optional

ITEM	PART NUMBER	DESCRIPTION	QTY		
			1"	1-1/4"	1-1/2"
	204831	KIT, 1" CLAMP END SPACER	1	--	--
	204832	KIT, 1-1/4" CLAMP END SPACER	--	1	--
	204833	KIT, 1-1/2" CLAMP END SPACER	--	--	1
1	204835	AXLE SPACER, 1"	2	--	--
1	204836	AXLE SPACER, 1-1/4"	--	2	--
1	204837	AXLE SPACER, 1-1/2"	--	--	2
2	1-512-010005-05	NUT, HEX SLFLKG GRB 3/8-16	2	2	2
3	1-654-010051-05	SCREW, HEX CAP, 3/8-16 X 1, GR5	2	2	2

Hydraulic Top Link Kit - Optional

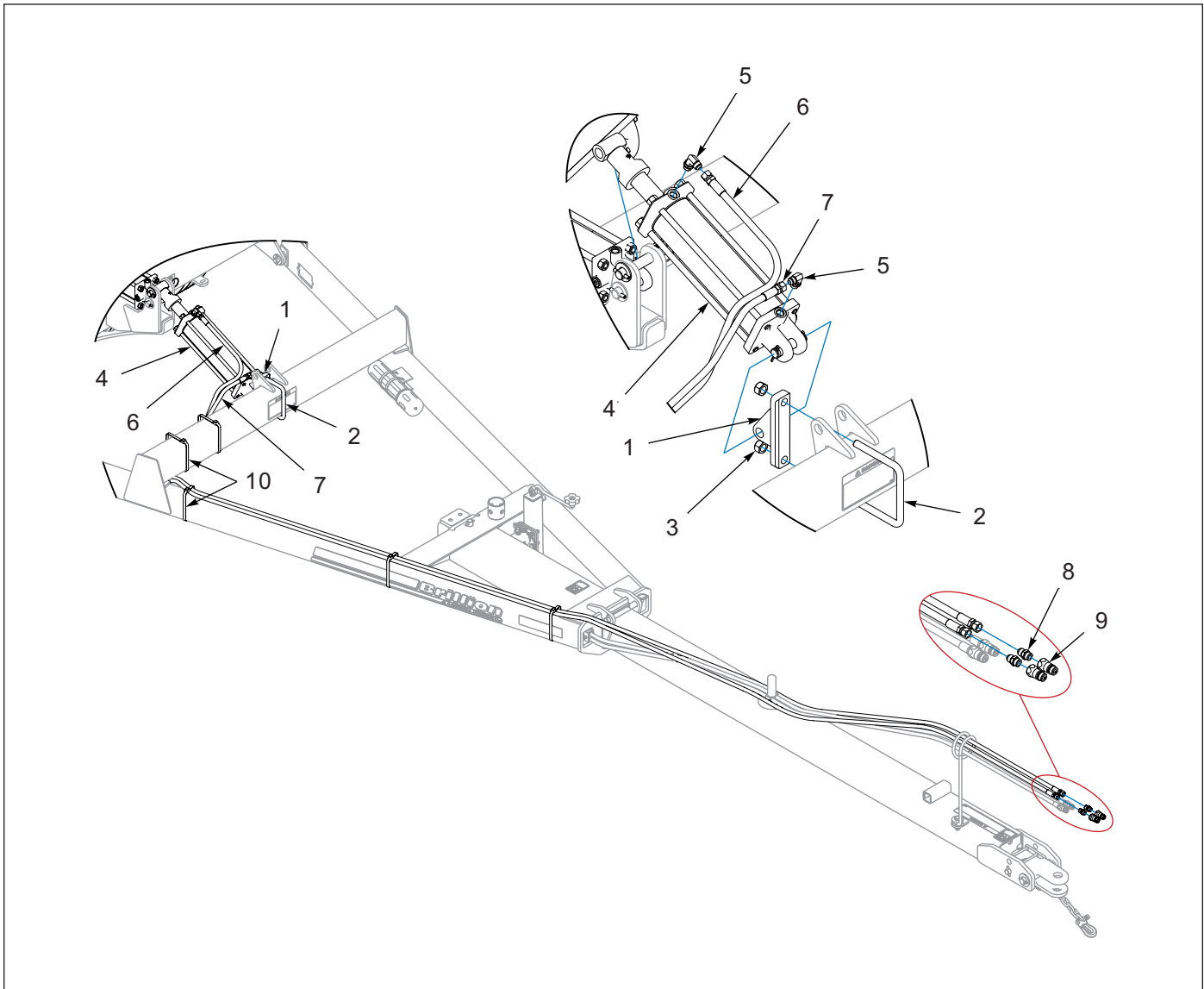


Figure 1-34: Hydraulic Top Link Kit - Optional

Hydraulic Top Link Kit - Optional

ITEM	PART NUMBER	DESCRIPTION	QTY
	168348	KIT, WFP HYDRAULIC TOP LINK	1
1	168352	LUG, BOLT ON	1
2	3J450	U-BOLT, 3/4-10 X 6 X 4	1
3	1-512-010005-15	NUT, HEX SLFLKG GRB 3/4-10	2
4	186555	CYL ASM, 4 X 12 W/TRUNNION END (SEE PAGE 1-53)	1
5	141826	ELBOW, 90 1/16 RES (RESTRICTOR, 1/16) (8MJ X 8MOR)	2
6	116493	HOSE ASSY 3/8X312 #8 JIC SW (8FJS X 8FJS)	1
7	164309	HOSE ASSY, 3/8X300 #8JIC SWIV (8FJS X 8FJS)	1
8	202702-8-8S	ADAPTER, #8 O-RING TO #8 TUBE (8MJ X 8MOR)	2
9	141828	COUPLER, MALE 3/4-16 O-RING (8 O-RING)	2
10	3J615	CABLE TIE - 28"	6
11	105-0228	HOSE TIE - 8" (NOT SHOWN)	10

Hydraulic Cylinder, 4 x 12 with Trunnion End

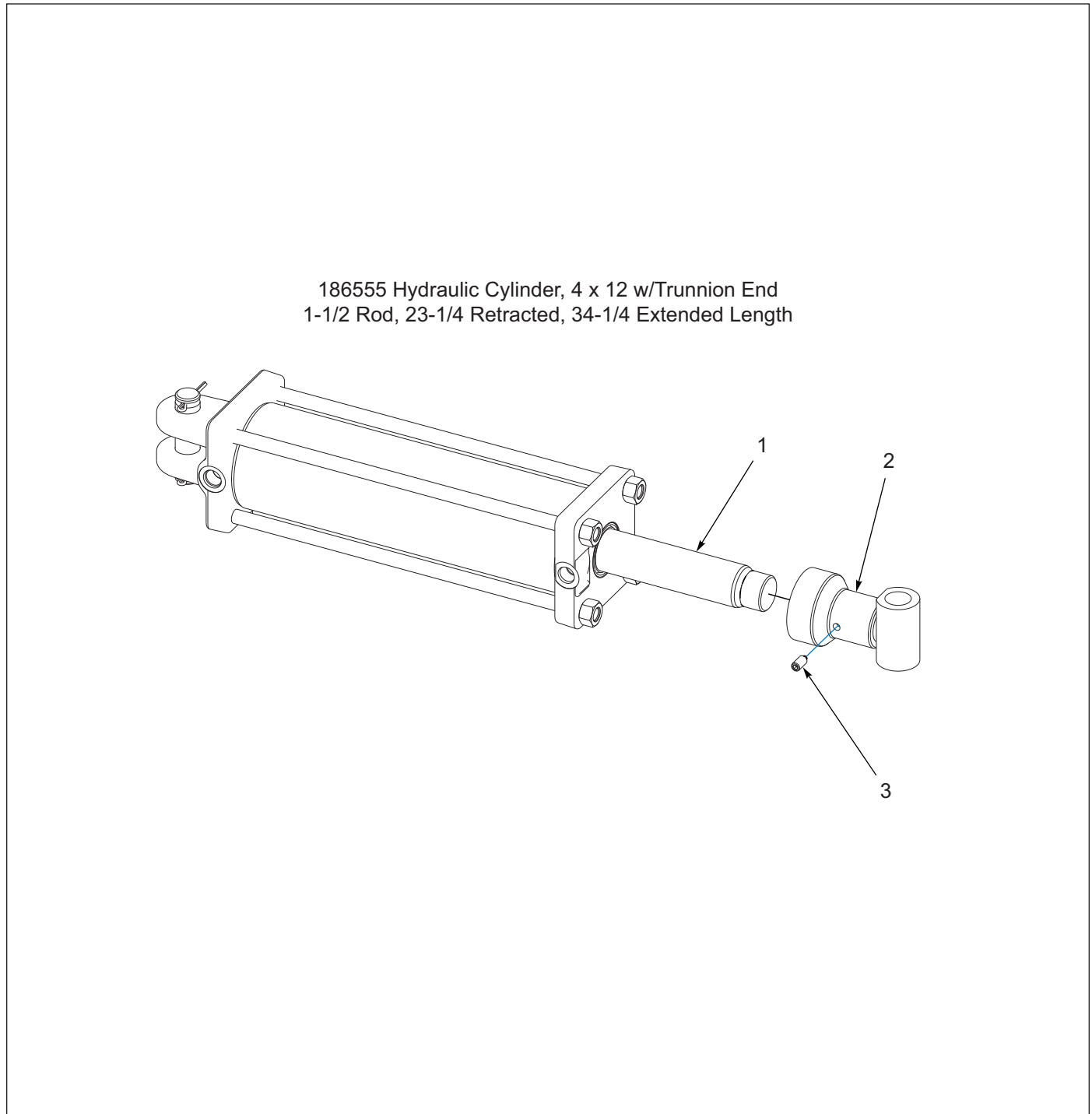


Figure 1-35: Hydraulic Cylinder, 4 x 12 with Trunnion End

Hydraulic Cylinder, 4 x 12 with Trunnion End

ITEM	PART NUMBER	DESCRIPTION	QTY
	186555	CYL ASM, 4X12 W/TRUNNION END	1
1	1-242-010197-3	CYLINDER 4 X12 3000PSI (SEE PAGE 1-54)	1
2	168355	TRUNNION ASM, 1-1/2 ROD (INCLUDES ITEM 3)	1
3	1P444	SET SCREW, 3/8-16 X 3/4 NYLON	1

Hydraulic Cylinder, 4 x 12 - Prince

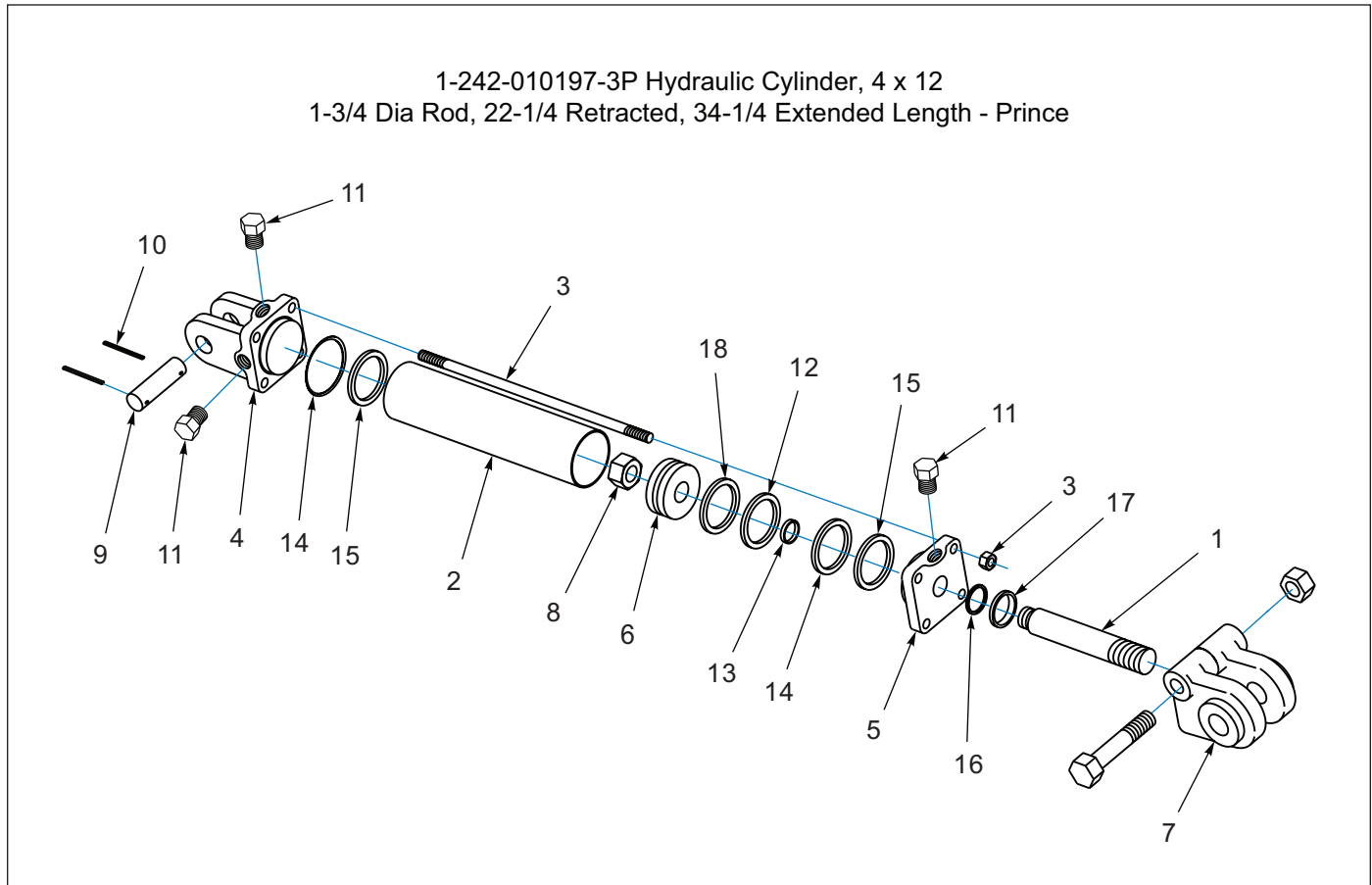


Figure 1-36: Hydraulic Cylinder, 4 x 12 - Prince

Hydraulic Cylinder, 4 x 12 - Prince

ITEM	PART NUMBER	DESCRIPTION	QTY
	1-242-010197-3	CYLINDER, HYD 4X12 3000PSI	1
1	-----	PISTON ROD 4X12	1
2	-----	TUBE	1
3	-----	TIE ROD ASSY	4
4	-----	BUTT	1
5	-----	GLAND ASSY	1
6	-----	PISTON	1
7	100000326	CLEVIS ASSY	1
8	220000212	LOCKNUT	1
9	111790	CLEVIS, PIN	2
10	111789	ROLL PIN	4
11	1-007-010025	PORT PLUG	1
12	-----	CROWN SEAL	1
13	-----	O-RING	1
14	-----	O-RING	2
15	-----	BU-WASHER	2
16	-----	U-CUP	1
17	-----	WIPER	1
18	-----	BEARING RING	1
19	1-242-010178-3	SEAL KIT (INCLUDES ITEMS 12-18)	1

Hydraulic Cylinder, 4 x 16 - Lion

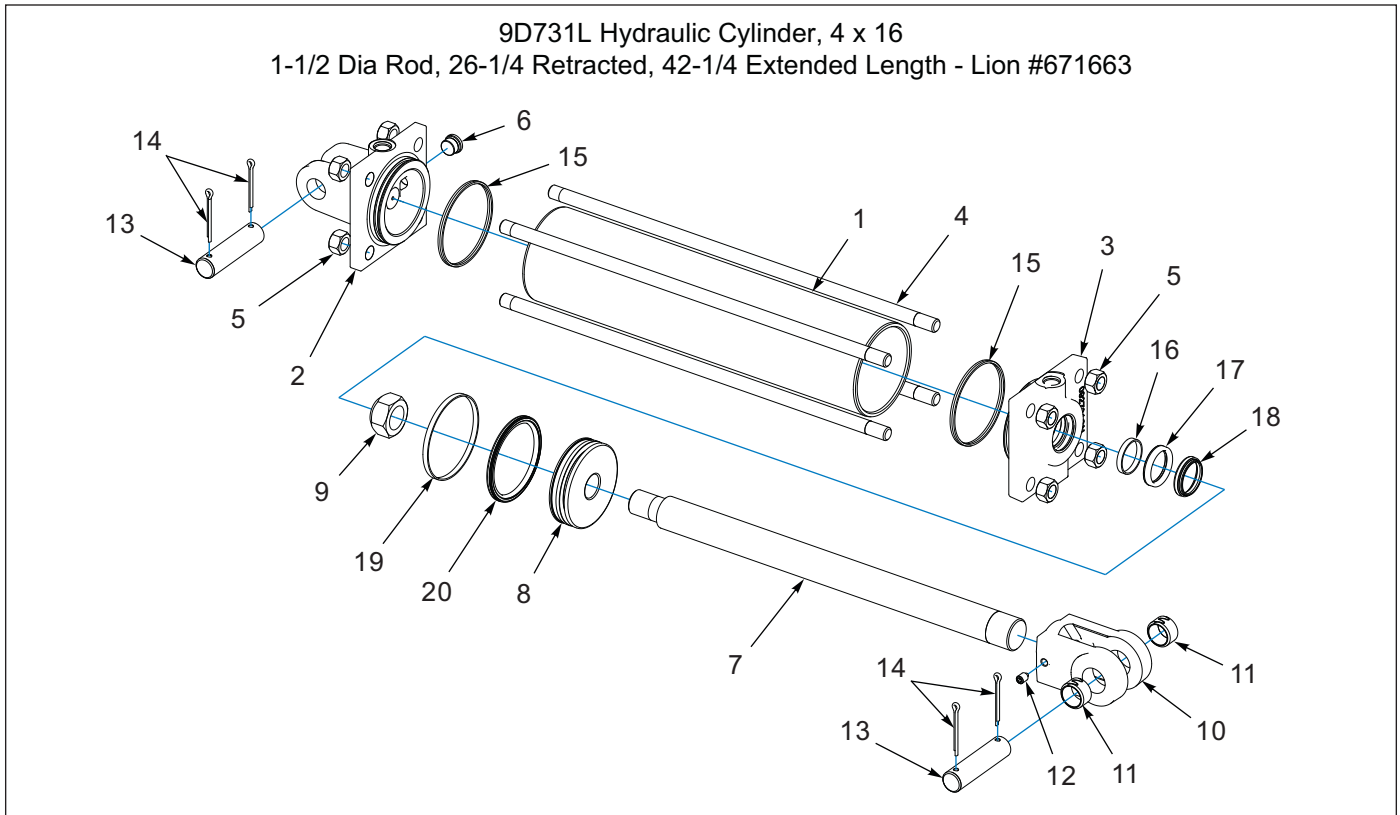


Figure 1-37: Hydraulic Cylinder, 4 x 16 - Lion

Hydraulic Cylinder, 4 x 16 - Lion

ITEM	PART NUMBER	DESCRIPTION	QTY
	9D731	HYD CYLINDER - 4 X 16 (LION 671663)	1
1	-----	TUBE	1
2	-----	CLEVIS CAP	1
3	-----	ROD CAP	1
4	-----	TIE ROD	4
5	1P805	NUT,HEX SLFLKG GRB 3/4-16	8
6	-----	PLUG,SOCKET HEAD 3/4-16	1
7	-----	ROD	1
8	-----	PISTON	1
9	8J852	NUT,LOCK 1-1/8-12,GrB,ZP	1
10	2P740	ROD CLEVIS W/BUSHINGS (INCLUDES ITEMS 11 AND 12)	1
11	3P079	SPRING BUSHING,1.0x1.25x0.75	2
12	1P443	SET SCREW,3/8-16 x 1/2 NYLON TIP	1
13	7J067	PIN,1.0 x 4.0 H2	2
14	110-4224	PIN,COTTER 3/16 X 2IN LG	4
15	-----	SEAL DUAL 4.00	2
16	-----	WEAR RING 1.63-1.50-0.250	1
17	-----	SEAL ZURCON U-CUP RU9 1.50	1
18	-----	SEAL WIPER 1.50 WNUC TSS	1
19	-----	WEAR RING 4.00-3.88-0.250	1
20	-----	SEAL SURCON WYNSEAL 4.00	1
21	1P745	SEAL KIT (INCLUDES ITEMS 15-20)	1

Hydraulic Cylinder, 4 x 16 - Prince

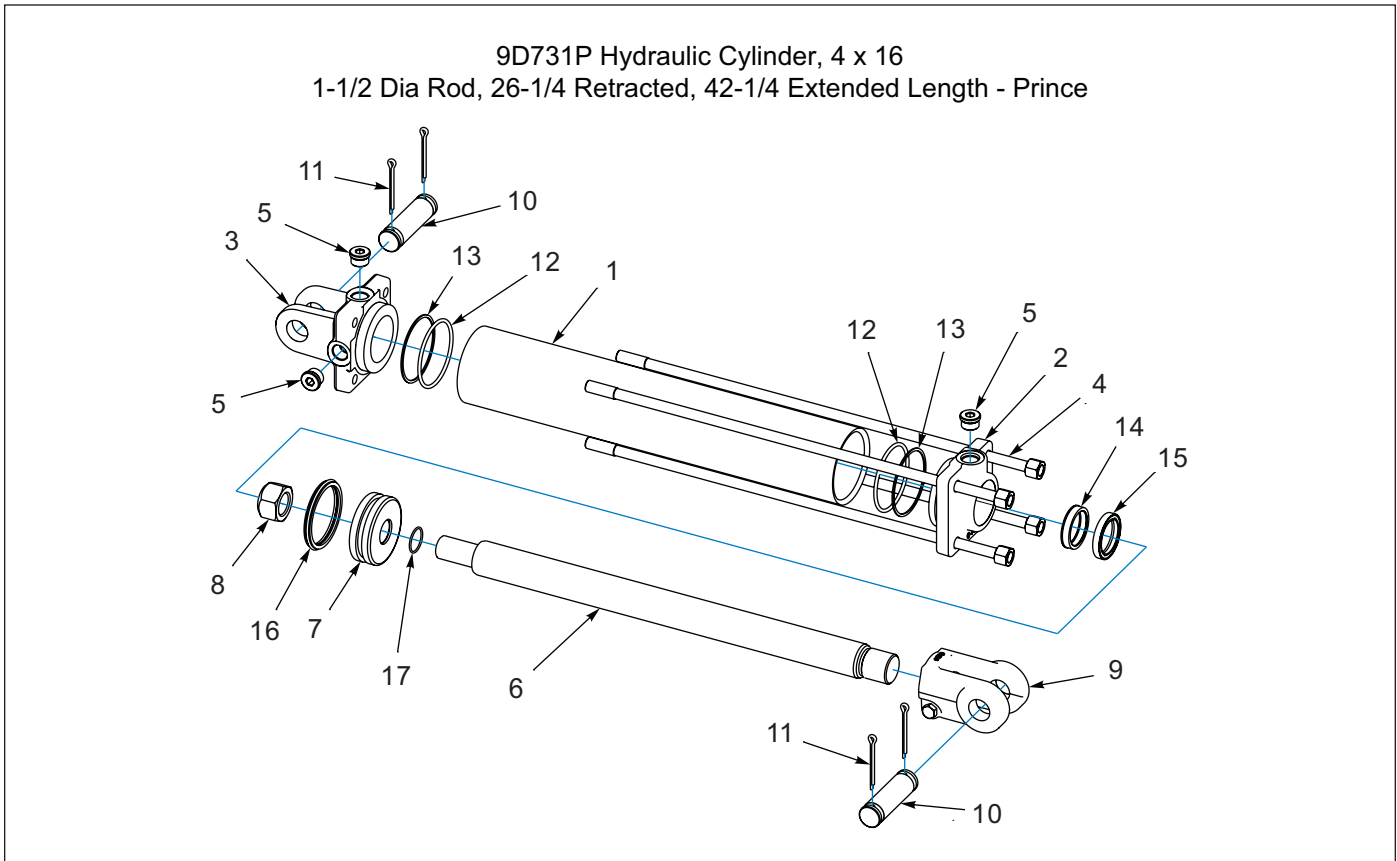


Figure 1-38: Hydraulic Cylinder, 4 x 16 - Prince

Hydraulic Cylinder, 4 x 16 - Prince

ITEM	PART NUMBER	DESCRIPTION	QTY
	9D731	HYD CYLINDER - 4 X 16	1
1	-----	TUBE	1
2	-----	GLAND	1
3	147375	BUTT	1
4	-----	TIE ROD STUD W/HEX NUT	4
5	121029	PLUG,#8 SAE MOR BOSS HX SKT	3
6	-----	PISTON ROD	1
7	-----	PISTON	1
8	220000211	PISTON LOCKNUT	1
9	236929	CLEVIS ASSEMBLY (INCLUDES ITEM 10)	1
10	236932	BUSHING	2
11	190400035	PIN,HR CYL CLEVIS 1 X 4	2
12	110-4224	PIN,COTTER-3/16 X 2IN LG	4
13	-----	O-RING	2
14	-----	BU-WASHER	2
15	-----	U-CUP	1
16	-----	CANNED WIPER	1
17	-----	PISTON BEARING RING	1
18	-----	CROWN SEAL	1
19	-----	O-RING	1
20	236926	SEAL KIT,PMCK-CG-0119 (INCLUDES ITEMS 13-19)	1

Hydraulic Cylinder, 4 x 36 (WFP23-29 Models Only)

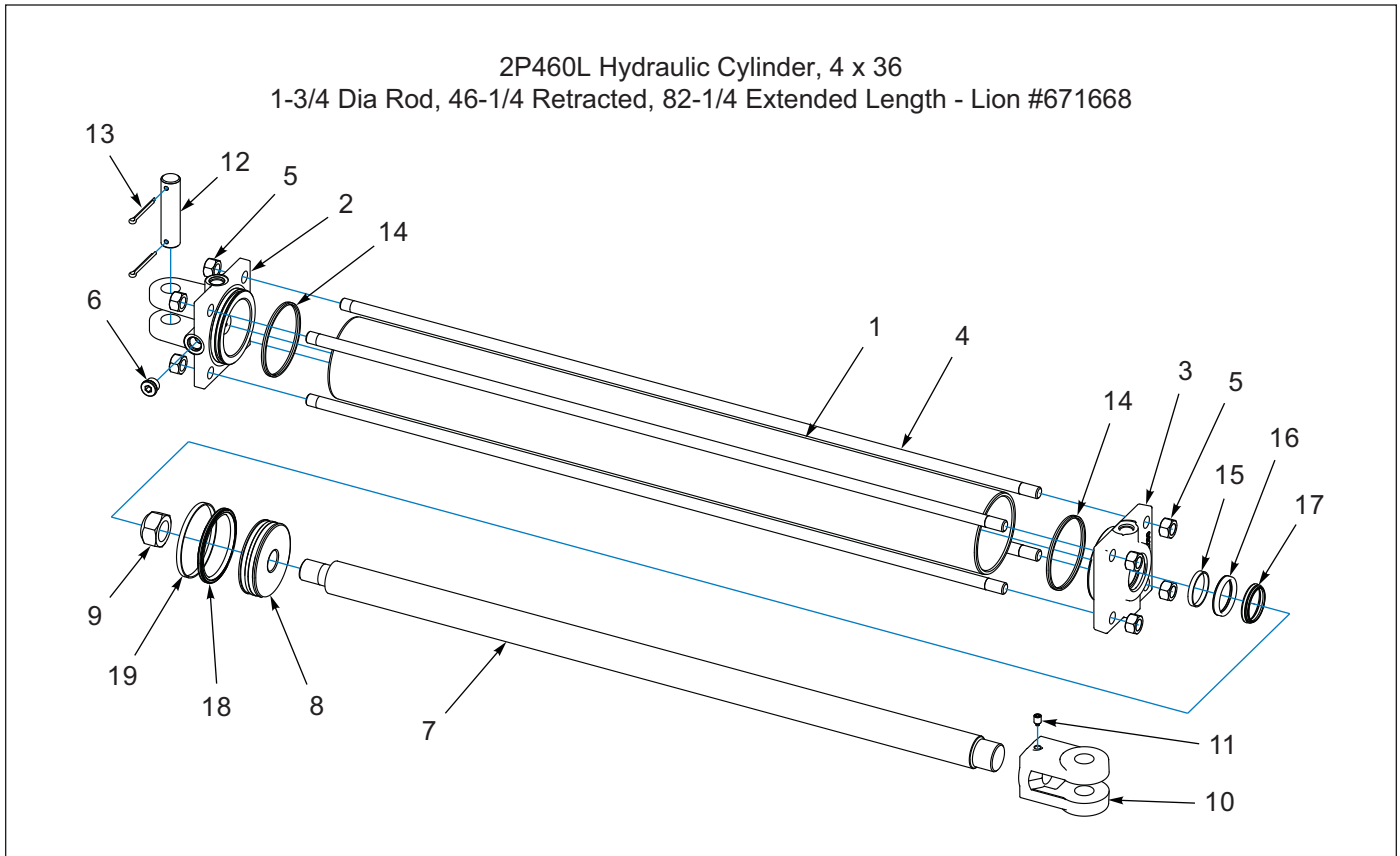


Figure 1-39: Hydraulic Cylinder, 4 x 36 (WFP23-29 Models Only)

Hydraulic Cylinder, 4 x 36 (WFP23-29 Models Only)

ITEM	PART NUMBER	DESCRIPTION	QTY
	2P460	HYD CYLINDER - 4 X 36 (LION 671668)	1
1	-----	TUBE	1
2	-----	CLEVIS CAP	1
3	-----	ROD CAP 4.00-1.75	1
4	-----	TIE ROD	4
5	-----	NUT, HEX 5/8-18, ZP	8
6	-----	PLUG, SOCKET HEAD 3/4-16	1
7	-----	ROD, 1-3/4	1
8	-----	PISTON 4.00-1.125	1
9	8J852	NUT, LOCK 1-1/8-12, GRB, ZP	1
10	2P738	CLEVIS, 1" PIN X 1.5-12 X 2.75 (INCLUDES ITEM 11)	1
11	1P443	SET SCREW, 3/8-16 X 1/2 NYL	1
12	7J067	PIN, 1.0 X 4.0 H2	1
13	110-4224	PIN, COTTER 3/16 X 2IN LG	2
14	-----	SEAL DUAL 4.00	2
15	-----	WEAR RING, 1.87-1.75-0.250	1
16	-----	SEAL, ZURCON U-CUP RU9 1.75	1
17	-----	SEAL WIPER 1.75	1
18	-----	SEAL SURCON WYNSEAL 4.00	1
19	-----	WEAR RING, 4.00-3.88-0.250	1
20	1P745	SEAL KIT (INCLUDES ITEMS 14-19)	1

Hydraulic Cylinder, 4 1/2 x 36 (WFP31-37 Models Only)

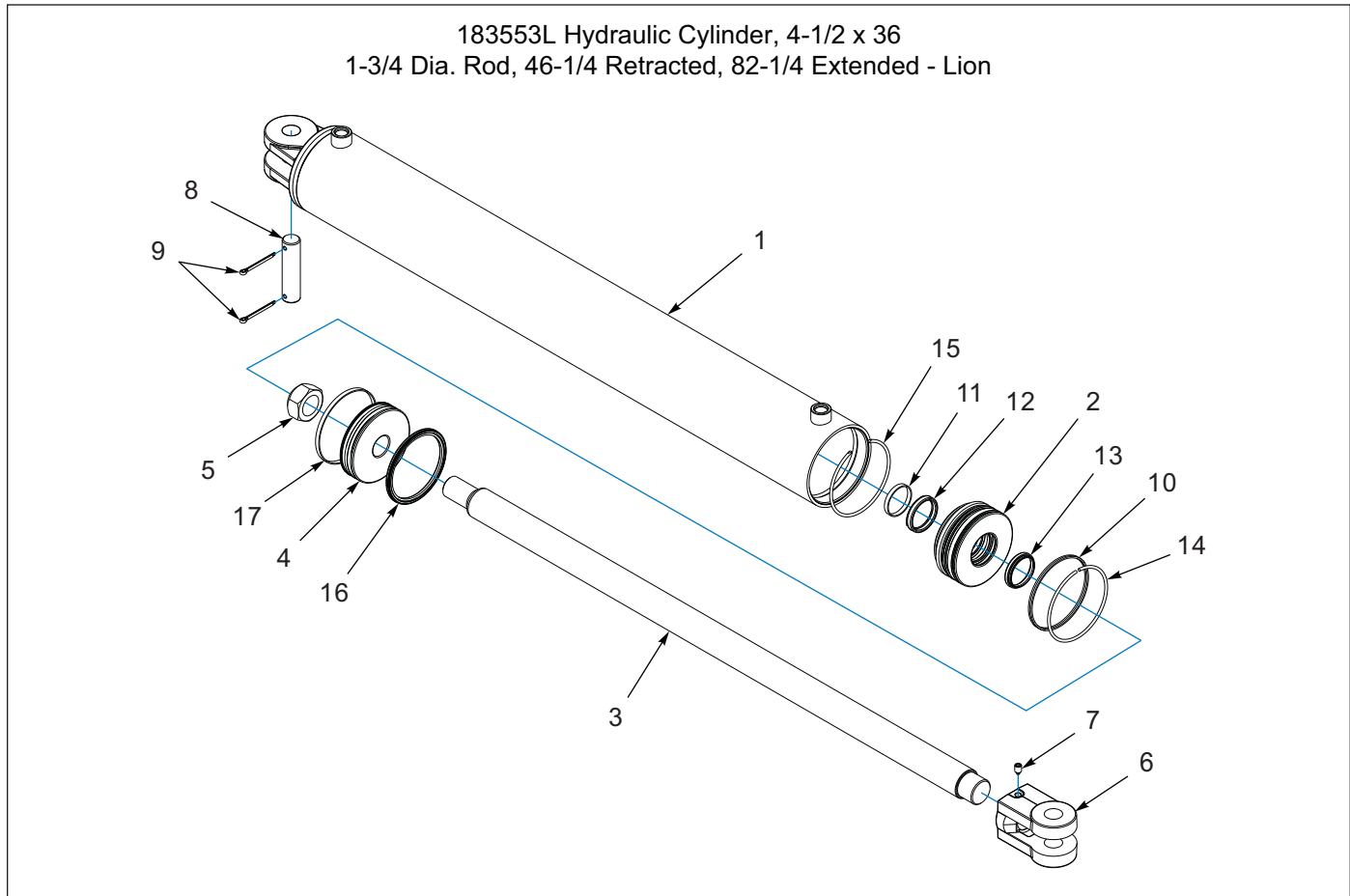
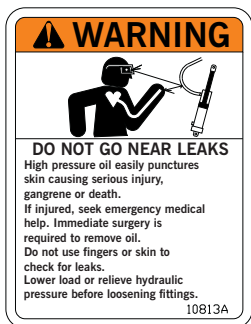


Figure 1-40: Hydraulic Cylinder, 4 1/2 x 36 (WFP31-37 Models Only)

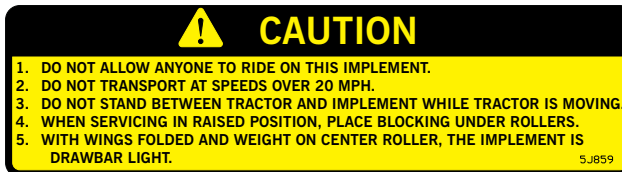
Hydraulic Cylinder, 4 1/2 x 36 (WFP31-37 Models Only)

ITEM	PART NUMBER	DESCRIPTION	QTY
	183553	HYD CYLINDER - 4-1/2" X 36"	1
1	-----	TUBE WELDT 4.5-36.00-RR-W	1
2	-----	CYL HEAD 4.5-1.75-RR-TSS-WR	1
3	-----	ROD CYL 1.75-36.00-1.25-1.50	1
4	-----	PISTON 4.50-1.250-TSS-ISO-WR	1
5	220000212	NUT, LOCK 1-1/4-12, ZP	1
6	2P738	CLEVIS, 1" PIN X 1.5-12 X 2.75 (INCLUDES ITEM 7)	1
7	1P443	SET SCREW, 3/8-16 X 1/2 NYLON TIP	1
8	7J067	CLEVIS PIN	1
9	110-4224	PIN, COTTER 3/16 X 2IN LG	2
10	-----	SEAL DUAL 4.50 Z20 PU	1
11	-----	WEAR RING 1.87-1.75-0.250	1
12	-----	SEAL ZURCON U-CUP RU9 1.75	1
13	-----	SEAL WIPER 1.75 SNAP IN DA24	1
14	-----	RETAINING RING EXTERNAL 4.50	1
15	-----	RETAINING RING INTERNAL 4.50	1
16	-----	SEAL ZURCON WYNSEAL 4.50"-IS	1
17	-----	WEAR RING 4.50-4.38-0.250	1
18	185302	SEAL KIT FOR 183553 CYL (INCLUDES ITEMS 10-15)	1

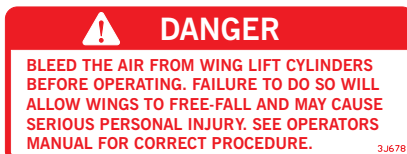
Decals



ITEM 1
3K706



ITEM 2 - 5J859



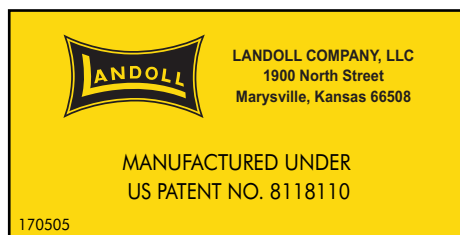
ITEM 3 - 3J678



ITEM 4 - 3J675



ITEM 5
2-573-010198



ITEM 6 - 170505



ITEM 7 - 9J629



ITEM 8
528933



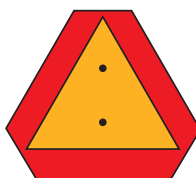
ITEM 9
528934



ITEM 10
528938



ITEM 11 - 170510



ITEM 12
2P151



ITEM 13
144193



ITEM 14 - 232188



ITEM 15 - 170509



ITEM 16 - 2P808



ITEM 17 - 1-573-010006

Figure 1-41: Decals

Decals

ITEM	PART NUMBER	DESCRIPTION	QTY
1	3K706	DECAL-WARNING HYDRAULIC LEAKS	3
2	5J859	'WARNING' DECAL	1
3	3J678	'DANGER' DECAL	1
4	3J675	'STAND CLEAR' DECAL	8
5	2-573-010198	DECAL, MEMBER FEMA	1
6	170505	DECAL, PULVERIZER PATENT	1
7	9J629	'DANGER' DECAL	2
8	528933	REFLECTOR - RED	2
9	528934	REFLECTOR - YELLOW	6
10	528938	STRIPE, ORANGE	2
11	170510	DECAL, BRILLION LANDOLL	2
12	2P151	SMV W/BRACKET	1
13	144193	DECAL, SIS 20 MPH	1
14	232188	DECAL, QR CODE PULVERIZER	1
15	170509	DECAL, BRILLION LANDOLL 40"	2
16	2P808	DECAL, WFP SERIES	3
17	1-573-010006	PLACARD, NAME	1
18	184138	RIVET, BLIND .187 X 3/16 GRIP (HARDWARE FOR ITEM 17)	2

Decal Locations

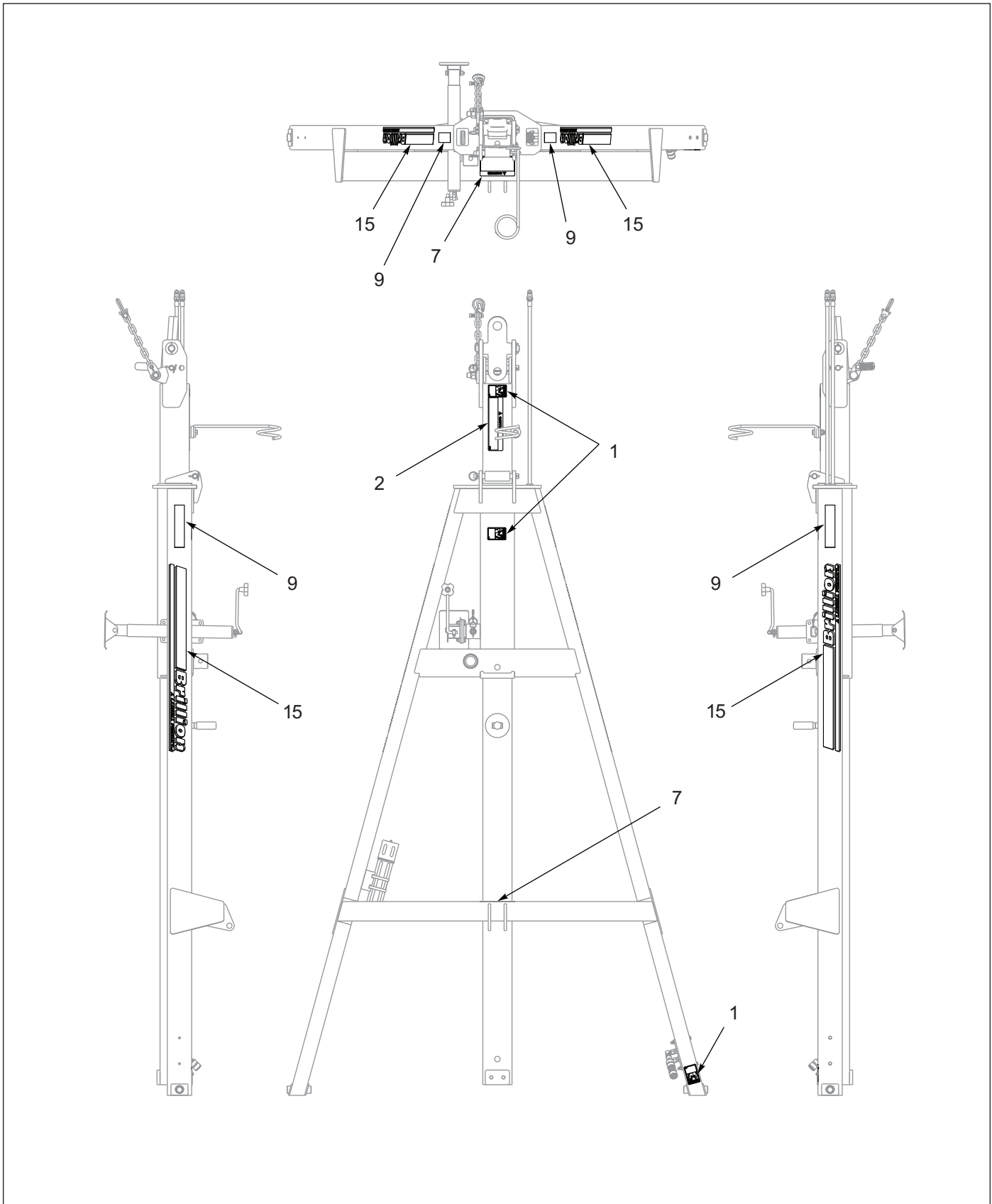
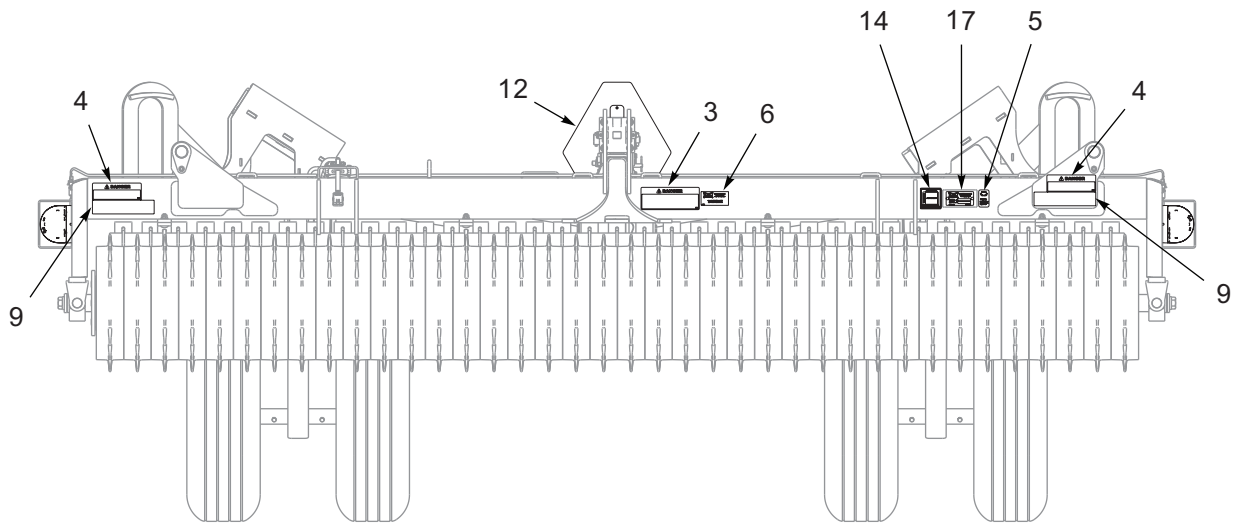
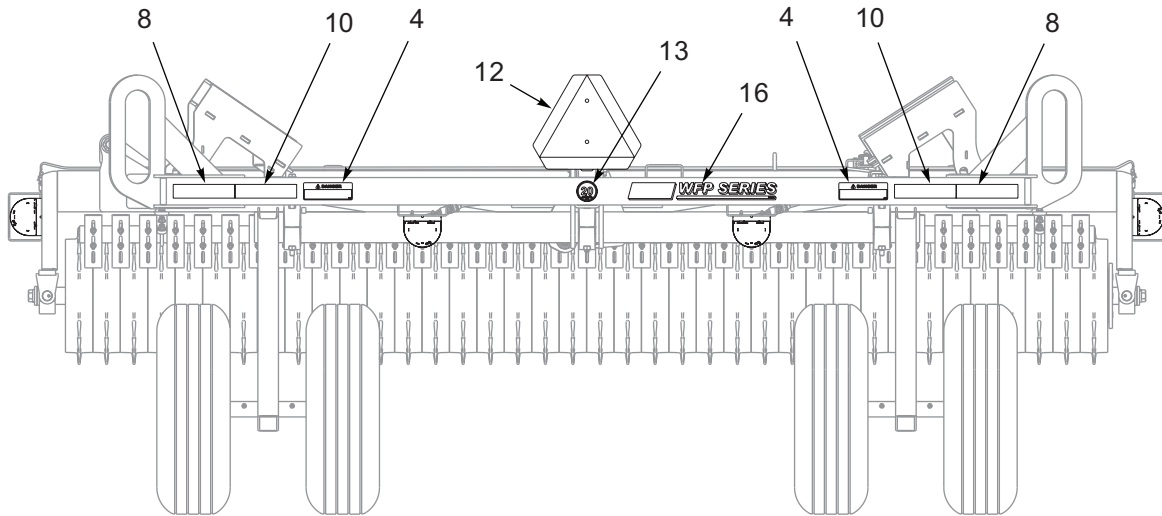


Figure 1-42: Drawbar Decals (1 of 4)



Front View



Back View

Figure 1-43: Center Decals (2 of 4)

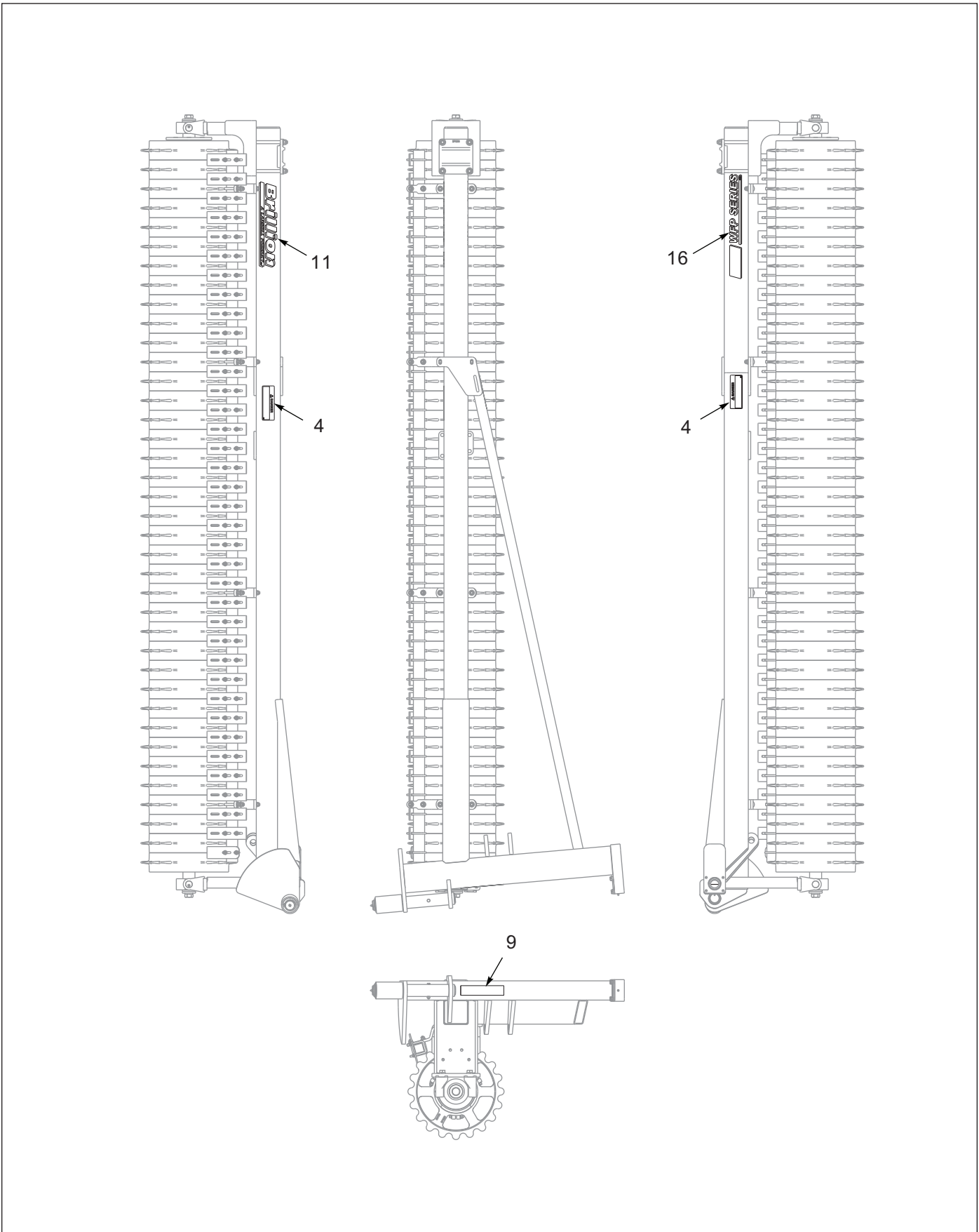


Figure 1-44: LH Wing Decals (3 of 4)

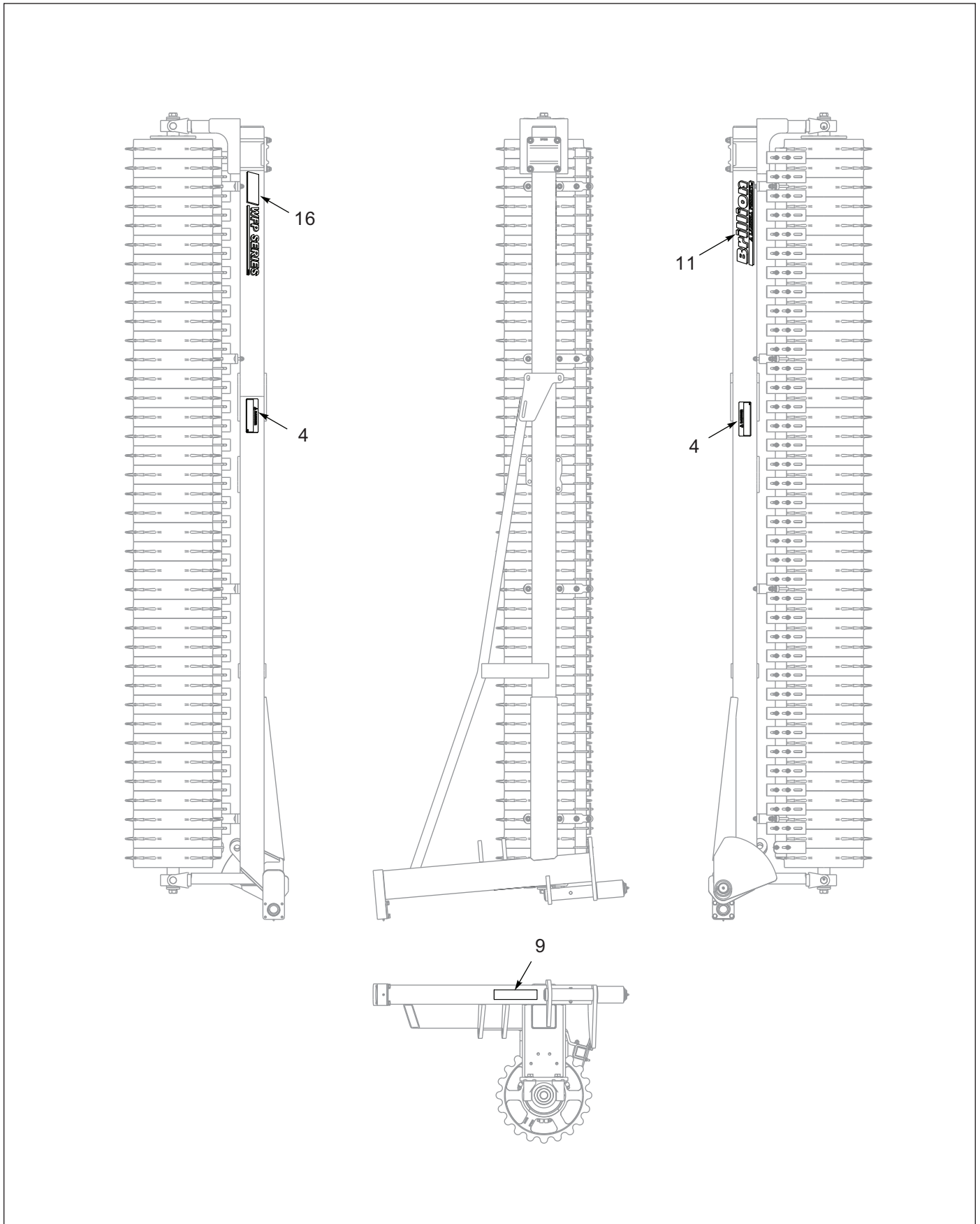


Figure 1-45: RH Wing Decals (4 of 4)

Glossary

For clarity this glossary of industry standard abbreviations and their definitions are provided. For additional information, see “Instruction for Ordering Parts” on page 1-1.

A

ASM Assembly

B

BATT Battery
BHSC Button Head Socket Cap
BLK Black

C

CB Carriage Bolt
CONN Connector
CRG Carriage
CTSK Countersunk
CTWT Counterweight
CVR Cover
CYD Cylinder

D

DBL Double
DIA Diameter

E

ENCLSD Enclosed

F

FHCS Flanged Head Cap Screw
FHHCS Flanged Hex Head Cap Screw
FL OR FLG Flange
FLT Flat

G

GA Gauge

H

HHCS Hex Head Cap Screw
HCS High Carbon Steel
HD Head
HLCL Helical
HCSKT Hex Socket
HSFC Hex Socket Flat Countersunk
HYD Hydraulic

I

ID Inside Diameter

L

LH Lefthand
LKG OR LOCK Locking
LWR Lower

M

MANF Manifold
MNT Mount

N

NRW Narrow
 ----- Not Serviced Separately

O

OD Outside Diameter
OHG Overhead Guard
ORFS OR ORS O-Ring Seal
ORP OR ORB O-Ring Boss

P

P-STEER Power Steering
PTFE Polytetrafluoroethylene (Teflon)

R		SQ	Square
RH	Righthand	SRTD	Serrated
RND	Round	SSCR	Setscrew
		SST	Stainless Steel
		STD	Standard
<hr/>			
S		U	
SER	Series	UPR	Upper
SHCS	Socket Head Cap Screw		
SHLD	Shield	W	
SKT	Socket	WHL	Wheel
SLFLKG	Selflocking	WLD OR WLDMT	Weldment
SOC	Socket		
SPDT	Single Pole Double Throw		
SPR	Spring		

Numerics

100000326	1-54	141828	1-13, 1-15, 1-39, 1-41
1-007-010025	1-54	142668	1-13, 1-15
102-0322	1-13, 1-15, 1-39, 1-41	147072	1-13, 1-15, 1-17
104032	1-43	147375	1-56
105-0093	1-15	147582	1-41
105874	1-15	1-512-010005-01	1-43
1-076-010007	1-7	1-512-010005-05	1-6, 1-21, 1-50, 1-51
1-076-010010	1-7	1-512-010005-09	1-13, 1-15
108295	1-13, 1-15, 1-39	1-512-010005-13	1-47
108628	1-39	1-512-010005-19	1-13, 1-15
110-4224	1-55, 1-56, 1-57, 1-58	1-512-010007-02	1-47
1-116-010019	1-15	1-512-010007-03	1-48
111789	1-54	1-512-010007-07	1-47
111790	1-54	153862	1-47
113064	1-27	154185	1-27, 1-47
116100	1-13, 1-15, 1-17	1-557-010327	1-13
1-161-010003	1-7	1-557-010362-51	1-7
116493	1-52	164309	1-52
118-5098	1-47	164667	1-49
118626	1-21	164668	1-49
11L-15X8PLY	1-8	1-647-010004177	1-11
121029	1-56	164735	1-13
1-242-010178-3	1-54	164747	1-13, 1-15, 1-39
1-242-010197-3	1-54	164753	1-13
129263	1-13	164756	1-13
1-298-010001-1	1-7, 1-11	164761	1-13, 1-39
140464	1-28	164762	1-13, 1-39
140473	1-28	164763	1-39
140475	1-28	1-654-010047-08	1-43
140476	1-28	1-654-010049-06	1-43
140477	1-28	1-654-010049-07	1-13
141434	1-13, 1-15	1-654-010051-05	1-51
141807	1-49	1-654-010051-06	1-47
		1-654-010051-08	1-50
		1-654-010051-12	1-6

1-654-010055-03	1-13, 1-15	190400035	1-56
1-654-010059-06	1-13, 1-15	1C213	1-48
1-654-010061-06	1-47	1P443	1-55, 1-57, 1-58
1-654-010065-08	1-13	1P457	1-11
1-654-010070-04	1-36	1P745	1-55, 1-57
1-656-010003051	1-48	1P805	1-55
165622	1-47	1P937	1-13, 1-39
168356	1-49	1P938	1-13
170946	1-48	1P995	1-15
170948	1-48	201442	1-50
171380	1-11	201443	1-50
171738	1-27	202702-8-8S	1-52
171838	1-13	204831	1-51
174435	1-43, 1-44	204832	1-51
174436	1-43, 1-44	204833	1-51
174437	1-43, 1-44	204835	1-51
174879	1-27	204836	1-51
174945	1-13, 1-41	204837	1-51
175104	1-15, 1-39, 1-41	2062-8-8S	1-41
175151	1-43, 1-44	2071-8-8S	1-41
175152	1-43, 1-44	220000211	1-56
175189	1-49	220000212	1-54, 1-58
178534	1-43	236926	1-56
183553	1-58	236929	1-56
184478	1-47	236932	1-56
184481	1-47	2J858	1-13
184482	1-48	2P140	1-13, 1-15
184483	1-47, 1-48	2P151	1-43
185141	1-50	2P252	1-13, 1-15, 1-36, 1-49
185142	1-50	2P253	1-36
185302	1-58	2P254	1-13, 1-15
1-861-010032-02	1-47	2P271	1-36
1-861-010032-09	1-39, 1-43	2P280	1-17
1-861-010032-11	1-47	2P402	1-11
1-861-010032-24	1-3, 1-7, 1-17	2P403	1-6
1-861-010034-11	1-47	2P454	1-17
1-861-010034-17	1-13, 1-25, 1-27, 1-47	2P460	1-57
1-861-010034-21	1-47	2P466	1-17

2P727	1-17	7J067	1-55, 1-57, 1-58
2P738	1-57, 1-58	7J477	1-7
2P740	1-55	7J478	1-6, 1-7
2P744	1-17	8J014	1-36
2P762	1-11	8J015	1-36
2P766	1-11	8J852	1-55, 1-57
2P858	1-3	9D731	1-39, 1-55, 1-56
2P864	1-3	9D989	1-47
2P996	1-6	9J056	1-36
2P998	1-17	9J057	1-36
2P999	1-13, 1-15	9J278	1-3
3J450	1-52	9J437	1-3
3J608	1-47	9J930	1-36
3J614	1-47	9J956	1-36
3P001	1-13, 1-15	9J957	1-36
3P007	1-13, 1-15	9J958	1-36
3P079	1-55	9J959	1-36
4C856	1-3	9J960	1-36
5000	1-17, 1-27, 1-28	9J962	1-36
5C479	1-7	9K740	1-48
5D129	1-48		
5D921	1-36		
5J765	1-13		
5J767	1-13		
5J768	1-3		
5K201	1-11		
5K262	1-47		
6D284	1-7		
6D312	1-8		
6D333	1-13, 1-15		
6D336	1-7		
6D338	1-7		
6J047	1-17		
6K099	1-11		
6K921	1-3, 1-8		
6K970	1-13, 1-15		
712099	1-7		
71508985	1-41		

Document Control Revision Log:

Date	Form #	Improvement(s): Description and Comments
01/2021	F-1109-0121	Initial Release
11/2021	F-1109-1121	ECN 47647 - Update Hyd Cyl Updated ISO logo to ISO 9001:2015 (Revised 04/2024)
06/2024	F-1109-2406	ECN 49763 - Decals: QR Code, Fema, 20 MPH



intertek

Equipment from Landoll Company, LLC is built to
exacting standards ensured by ISO 9001:2015 registration
at all Landoll manufacturing facilities.

Wing Float Pulverizer Models WFP23-37 Parts Manual

Re-Order Part Number F-1109

LANDOLL COMPANY, LLC

1900 North Street

Marysville, Kansas 66508

(785) 562-5381

800-428-5655 ~ WWW.LANDOLL.COM



Copyright 2021. Landoll Company, LLC

“All rights reserved, including the right to reproduce this material or portions thereof in any form.”

