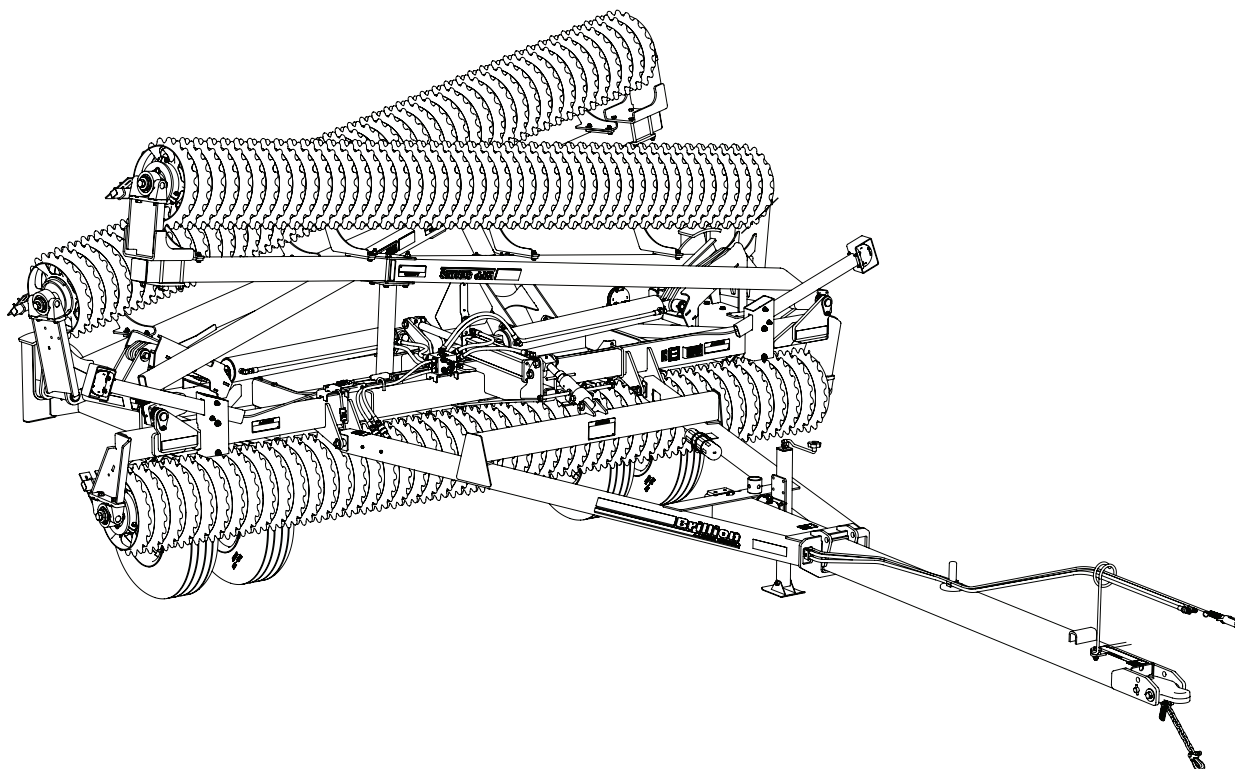




# Wing Float Pulverizer Models WFP38-52 Parts Manual



**LANDOLL COMPANY, LLC**

1900 North Street

Marysville, Kansas 66508

(785) 562-5381

800-428-5655 ~ [WWW.LANDOLL.COM](http://WWW.LANDOLL.COM)

## Manuals for Wing Float Pulverizer, WFP38-52

Manual Number	Manual Type
F-661	Operator's Manual
F-662	Parts Manual

# Table of Contents

---

## 1 Illustrated Parts List

Instructions for Ordering Parts .....	1-1
Frame and Transport Axle Assembly .....	1-2
Transport Axle Assembly .....	1-4
Hub and Spindle Assembly .....	1-5
Wheel Assembly .....	1-6
Drawbar Installation .....	1-7
Turnbuckle Assembly .....	1-8
Telescoping Drawbar - 20FT, Standard on WFP38-46 .....	1-10
Telescoping Drawbar - 24FT, Standard on WFP50-52 .....	1-12
Wing Frame with Spherical Bearings .....	1-14
Right Wing Frame Assemblies with Spherical Bearings .....	1-16
Left Wing Frame Assemblies with Spherical Bearings .....	1-17
Wing Rests .....	1-18
Center Frame Roller w/Welded Stubs (After 04/2021) .....	1-20
Center Frame Roller w/Bolted Stubs (Before 04/2021) .....	1-22
V-Wheel Center Roller Mounting Hardware .....	1-24
Wing Roller w/Welded Stubs, WFP38-46, (After 04/2021) .....	1-26
Wing Roller w/Bolted Stubs, WFP38-46 (Before 04/2021) .....	1-28
Wing Frame Rollers w/Welded Stubs, WFP50-52 (After 04/2021) .....	1-30
Wing Frame Rollers w/Bolted Stubs, WFP50 (Before 04/2021) .....	1-32
Wing Frame Rollers w/Bolted Stubs, WFP52 (Before 04/2021) .....	1-34
V-Wheel Wing Roller Mounting Hardware, WFP50-52 .....	1-36
Disc Bearing Assembly .....	1-38
Notched Ductile Axle w/Welded Stubs, WFP38-46 (After 04/2021) .....	1-39
Notched Ductile Outer Axle w/Welded Stubs, WFP50-52 (After 04/2021) ...	1-40
Notched Ductile Inner Axle w/Welded Stubs, WFP50-52 (After 04/2021) ...	1-41
Notched Ductile Axle w/Bolted Stubs, WFP38-52 (Before 04/2021) .....	1-42
Crowfoot Axle w/Welded Stubs WFP38-46 (After 04/2021) .....	1-44
Crowfoot Outer Axle, w/Welded Stubs, WFP50-52 (After 04/2021) .....	1-46
Crowfoot Inner Axle, w/Welded Stubs, WFP50-52 (After 04/2021) .....	1-47
Crowfoot Axle w/Bolted Stubs, WFP38-52 (Before 04/2021) .....	1-48
Optimizer Axle w/Welded Stubs, WFP38-46 (After 04/2021) .....	1-50
Optimizer Outer Axle w/Welded Stubs, WFP50-52 (After 04/2021) .....	1-51
Optimizer Inner Axle, w/Welded Stubs, WFP50-52 (After 04/2021) .....	1-52
Optimizer Axle w/Bolt on Stubs, WFP38-52 (Before 04/2021) .....	1-53
V-Roller Axle Assembly, 7.5FT .....	1-54
V-Roller Axle Assemblies, 8FT - 9.5FT .....	1-55

---

Axle Assemblies, Stub and Bearing .....	1-56
Axle Clamp Assembly .....	1-57
Hub Assemblies, Square Bearing .....	1-58
Hub Assemblies, Square Bearing Stop .....	1-59
Notched Scraper .....	1-60
V-Wheel Scraper, WFP50, WFP52 .....	1-64
Hydraulic Layout .....	1-68
Hydraulic Schematic .....	1-70
Manifold - 176201 .....	1-72
Manifold - 181527 .....	1-73
Electrical Layout .....	1-74
Electrical Schematic, LED (After 04/2013) .....	1-76
Electrical Schematic (Before 04/2013) .....	1-77
SMV Sign Installation .....	1-79
Acre Meter Kit - Optional .....	1-80
Acre Meter Assembly - Optional .....	1-82
Float Lock Kit - Optional .....	1-83
Clamp End Spacer Kits, 1/2" - 3/4" - Optional .....	1-84
Clamp End Spacer Kit, 1", 1-1/4" and 1-1/2" - Optional .....	1-85
Hydraulic Cylinder, 4 x 20 .....	1-86
Hydraulic Cylinder, 5 x 42 - Carlson Hydraulics .....	1-87
Hydraulic Cylinder, 5 x 42 - Lion .....	1-88
Hydraulic Cylinder, 5-1/2 x 42 - Lion .....	1-89
Hydraulic Cylinder, 5-1/2 x 42 - Wetherell .....	1-90
Decals .....	1-92
Decal Locations .....	1-94

**2 Glossary**

**3 Index**

# Illustrated Parts List

## Instructions for Ordering Parts

**\*\* Repair parts must be ordered through an authorized dealer \*\***

### DEALER INSTRUCTIONS FOR ORDERING PARTS FROM LANDOLL PARTS DISTRIBUTION CENTER

PHONE #: 800-423-4320 OR 785-562-5381

FAX #: 888-527-3909

ORDER ONLINE: [Dealer.landoll.com](http://Dealer.landoll.com)

### DATA PLATE

The Data Plate, which lists the model and serial number of the equipment. **See Figure 1-1.** It is located on the right side of the center frame on the Wing Float Pulverizer.

### SERIAL NUMBER NOMENCLATURE

The following information will help decode the Landoll serial number.

**PXB21000100 = xxmysssss**

<b>xx</b>	= model series (i.e. "PX" for all Pulverizers)
<b>m</b>	= month of manufacture (ex. "D" means April. The letter I is not used.)
<b>yy</b>	= last digits of the year manufactured (ex. "21" means 2021)
<b>sssss</b>	= Sequential number used to track warranty and service information.

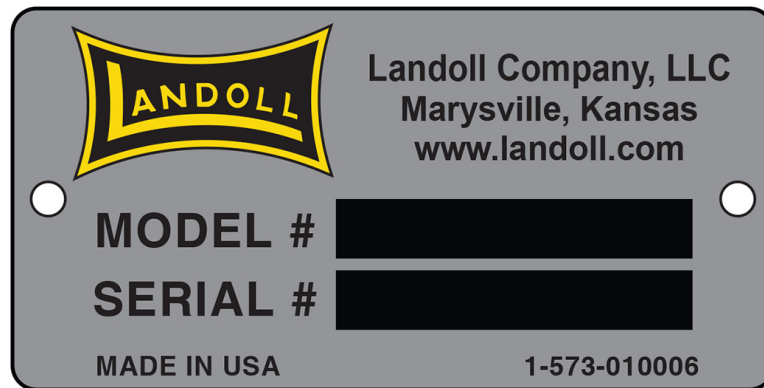


Figure 1-1: Data Plate

# Frame and Transport Axle Assembly

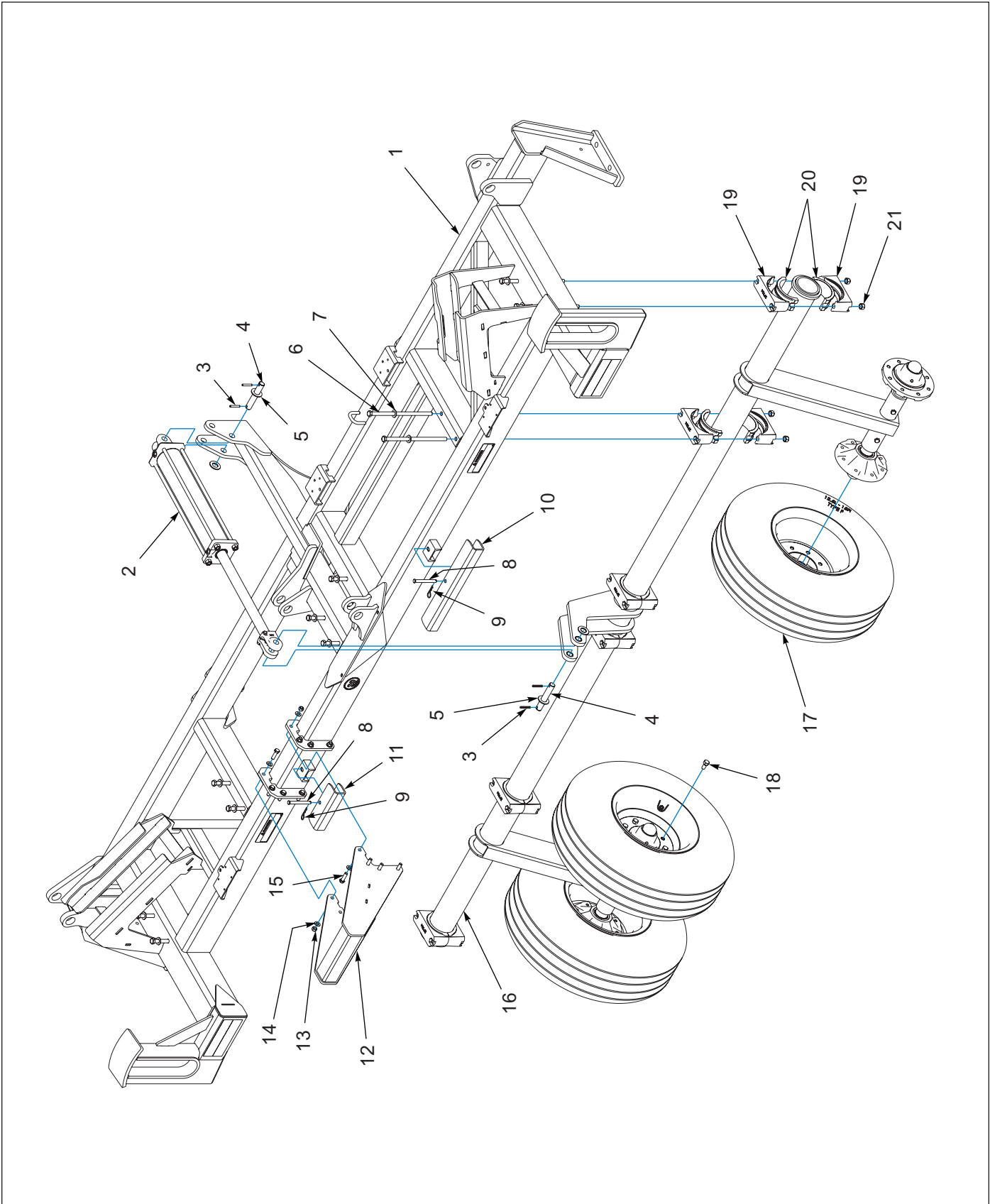


Figure 1-2: Frame and Transport Axle Assembly

## Frame and Transport Axle Assembly

ITEM	PART NUMBER	DESCRIPTION	QTY
1	200886	FRAME, ASM CTR WFP ( <b>SPHERICAL BEARING</b> ) ( <b>SHOWN</b> )	1
2	1-242-010180-3	CYLINDER, HYD 4 X 20STRK 3000PSI ( <b>SEE PAGE 1-86</b> )	1
3	147072	PIN, SPRING SLOTTED 5/16 X 2	4
4	9J695	PIN ( <b>1 X 6</b> )	2
5	1-861-010032-24	WASHER, FL 1IN NARROW, ZP	4
6	174289	SCREW, HEX 5/8-11UNC X 13, GR5	12
7	1-861-010032-18	WASHER, FLAT 5/8 N, ZP/CD	12
8	2P994	CLEVIS PIN, 0.5 X 4.5	2
9	6J448	HAIRPIN COTTER 1/8	2
10	174291	TRANSPORT LOCK 1-3/4 X 20	1
11	174894	TRANSPORT LOCK 1-3/4 X 9	1
12	174297	SUPPORT, WING	1
13	1-512-010005-09	NUT, HEX, SLFLKG, 1/2-13, GRB	8
14	1-861-010032-14	WASHER, FLAT 1/2" N ZP/CD	16
15	1-654-010055-04	SCREW, HEX CAP, 1/2-13UNC X 1-3/4	8
16	175157	ROCKSHAFT ASM, 38-46WFP ( <b>SEE PAGE 1-4</b> )	1
17	167299	TIRE & WHEEL ASSY 12.5 X 15FI ( <b>SEE PAGE 1-6</b> )	4
18	1-104-010001	WHEEL BOLT ( <b>9/16-18 x 1-1/8</b> )	32
19	2P794	BRG HALF, 4 1/2 INSERT	12
20	2P793	BRG INSERT, 4 1/2 INSERT	12
21	1-512-010005-13	NUT, HEX SLFLKG GRB 5/8-11	12

# Transport Axle Assembly

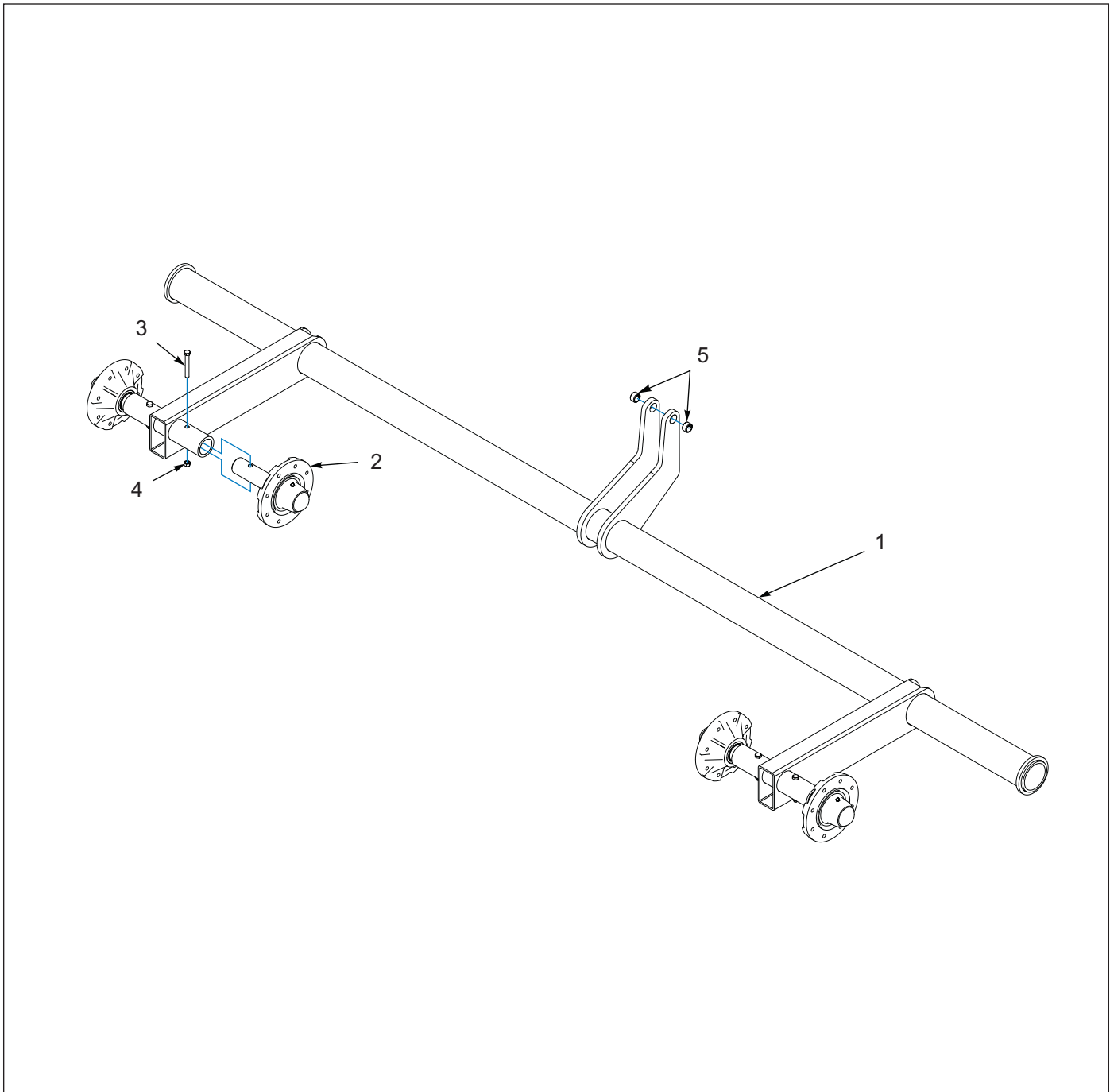


Figure 1-3: Transport Axle Assembly

## Transport Axle Assembly

ITEM	PART NUMBER	DESCRIPTION	QTY
	175157	ROCKSHAFT ASM, 38-46WFP	1
1	173390	ROCKSHAFT, LARGE WFP	1
2	170963	HUB & SPINDLE ASM ( <b>SEE PAGE 1-5</b> )	4
3	1-654-010055-12	SCREW, CP,HX .50-13UNC X 3.75, GR5	4
4	1-512-010005-09	NUT, HEX SLFLKG, 1/2-13 GRB	4
5	3P079	SPRING BUSHING, 1 X 1.25 X 0.75	2



# Hub and Spindle Assembly

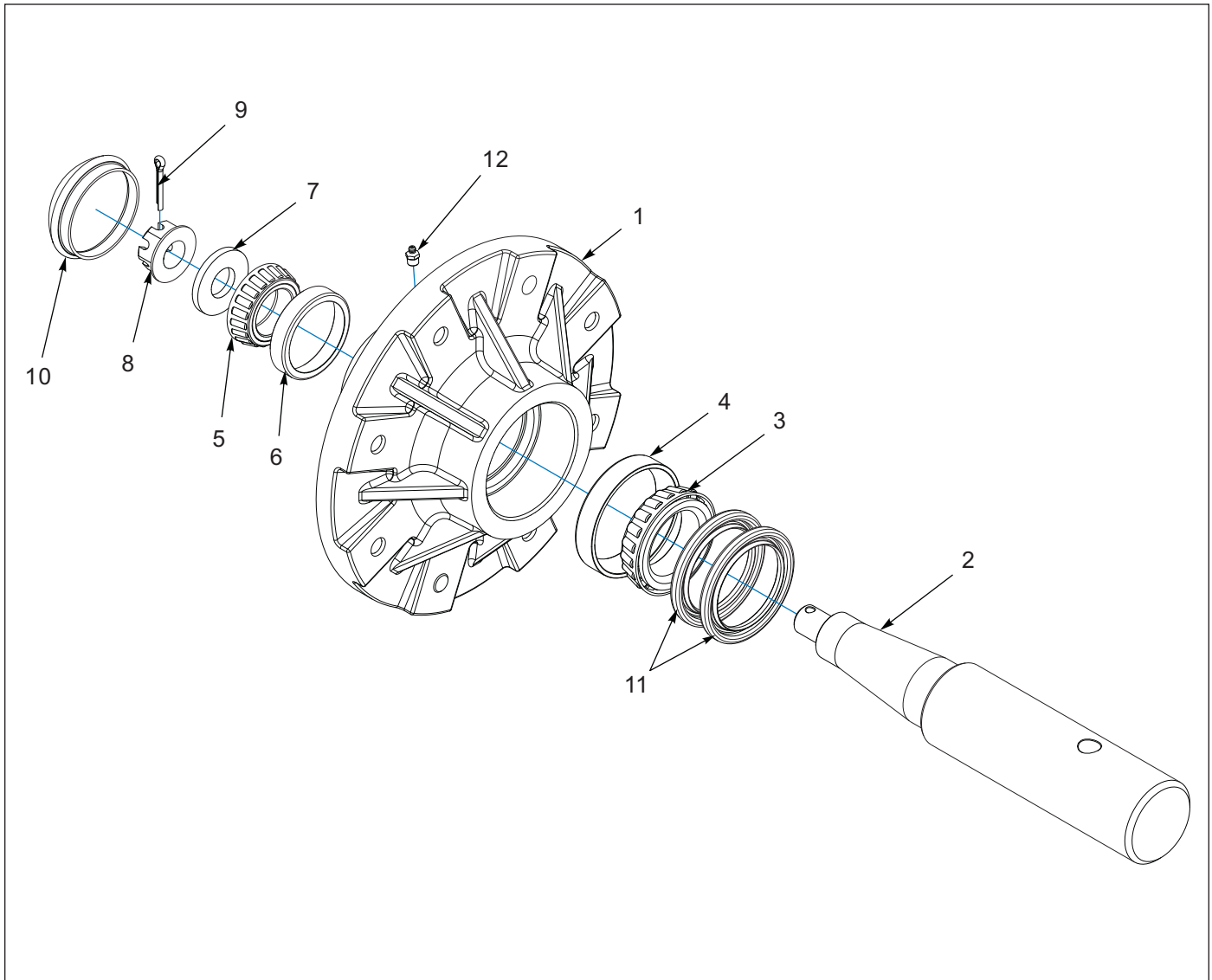


Figure 1-4: Hub and Spindle Assembly

## Hub and Spindle Assembly

ITEM	PART NUMBER	DESCRIPTION	QTY
	170963	HUB & SPINDLE ASM	1
1	3J394	WHEEL HUB - 8 BOLT	1
2	1K589	SPINDLE	1
3	1-076-010007	CONE INNER	1
4	1-076-010010	CUP INNER	1
5	140595	CONE BEARING	1
6	140594	CUP BEARING	1
7	3J397	WASHER	1
8	2P721	NUT, HEX SLOT FLANGE 3/4-16, ZP	1
9	110-0344	5/32 X 1 COTTER PIN	1
10	1-161-010003	CAP HUB	1
11	3J396	SEAL (2.25" ID-3.066" OD)	2
12	5000	ZERK FITTING 1/8NPT	1

# Wheel Assembly

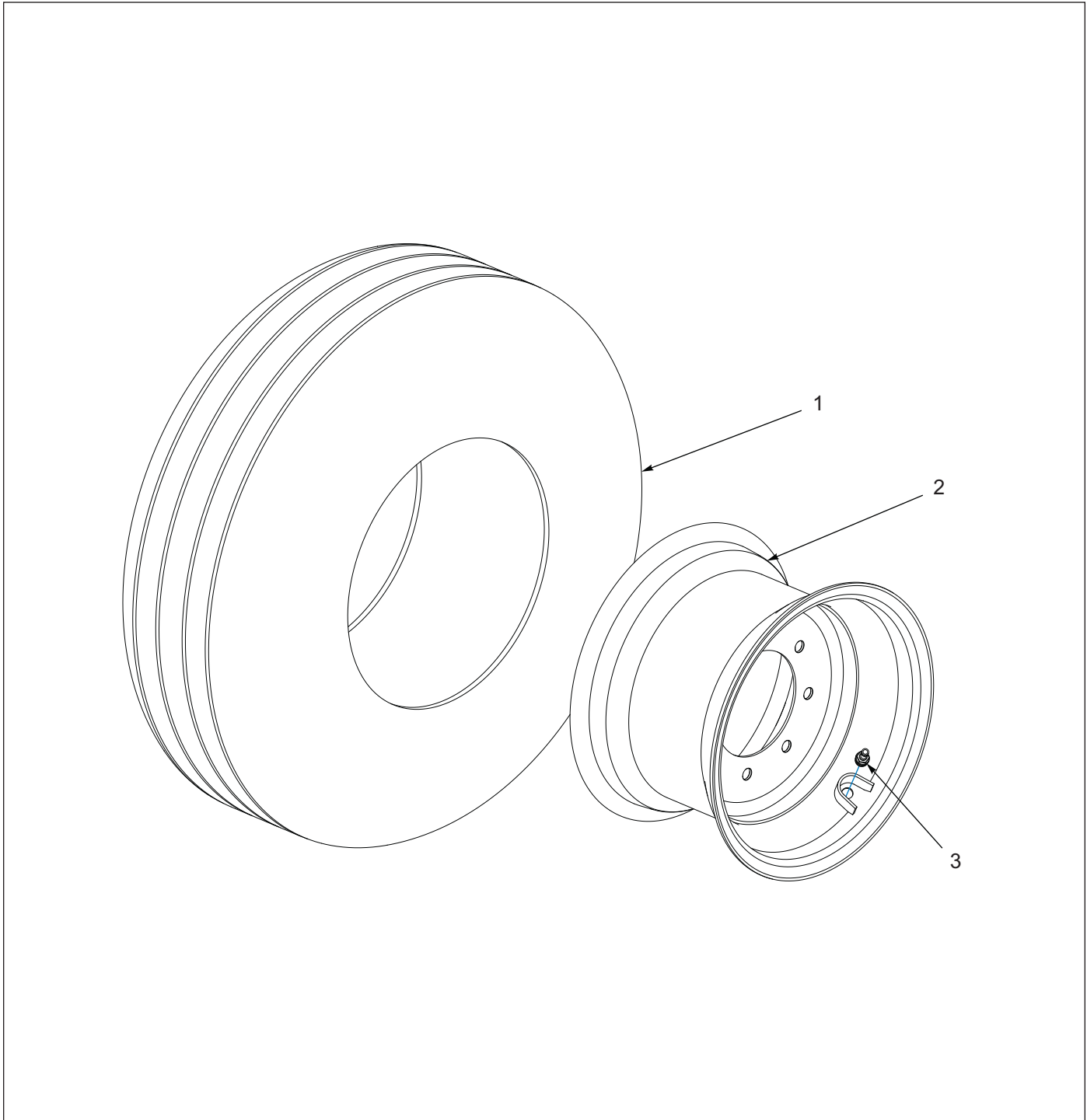


Figure 1-5: Wheel Assembly

## Wheel Assembly

ITEM	PART NUMBER	DESCRIPTION	QTY
	167299	TIRE & WHEEL ASSY 12.5 X 15FI	1
1	2-798-010106	TIRE, 12.5L X 15 HEAVY DUTY FI-F	1
2	167298	WHEEL 15 X 10 LB 8 BOLT 3/8	1
3	TR416	VALVE STEM TUBELESS TIRE	1

# Drawbar Installation

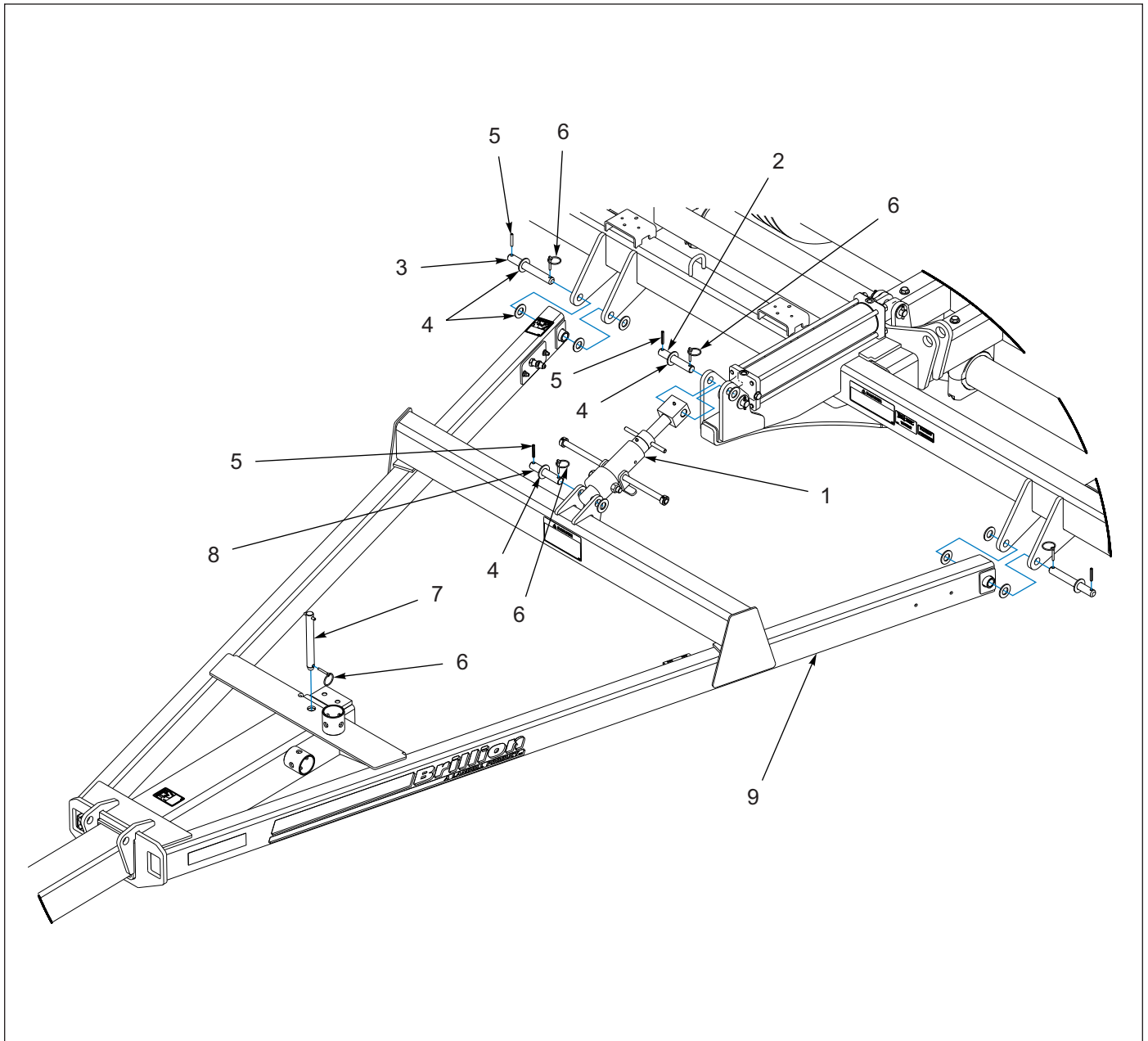


Figure 1-6: Drawbar Installation

## Drawbar Installation

ITEM	PART NUMBER	DESCRIPTION	QTY
1	170977	TURNBUCKLE, LARGE WFP (SEE PAGE 1-8)	1
2	9J695	PIN (1 X 6)	1
3	174294	PIN, 1.0 X 8.25 2 HOLE	2
4	1-861-010032-24	WASHER, FL 1IN NARROW, ZP	12
5	147072	PIN, SPRING SLOTTED 5/16 X 2	4
6	1-557-010327	PIN, LYNCH 1/4 X 1-1/4	5
7	5J765	PIN (1 X 9.25)	1
8	5J768	PIN (1 X 5.5)	1
9	164735	DRAWBAR A-FRAME	1

ILLUSTRATED PARTS LIST

# Turnbuckle Assembly

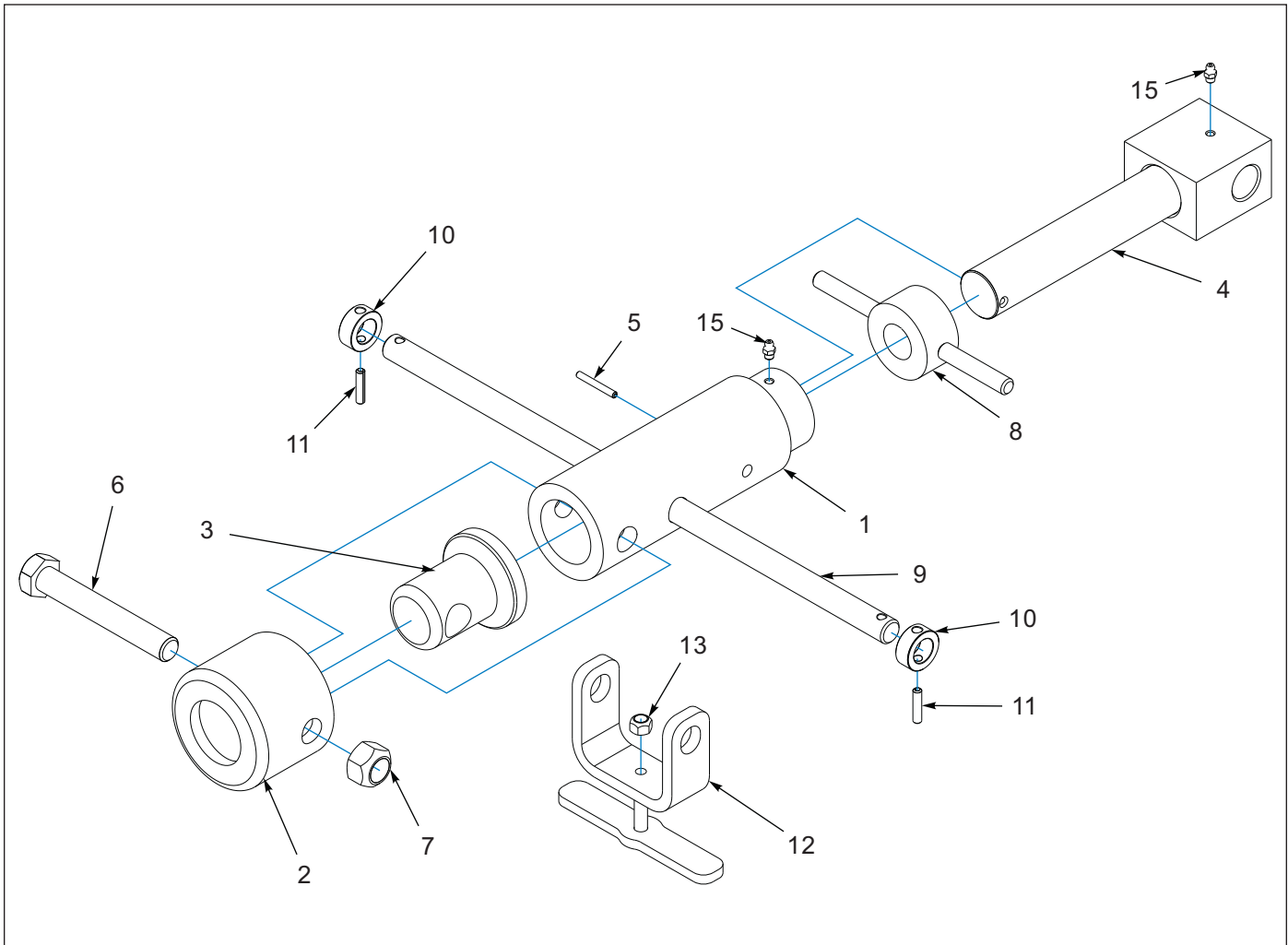


Figure 1-7: Turnbuckle Assembly

# Turnbuckle Assembly

ITEM	PART NUMBER	DESCRIPTION	QTY
	170977	TURNBUCKLE, LARGE WFP	1
1	171379	TUBE, TURNBUCKLE WLDMENT	1
2	171375	RETAINER, TURNBUCKLE END	1
3	171374	MOUNT, TURNBUCKLE END	1
4	2P762	ROD END, RH THREAD 2.875	1
5	1-647-010004177	PIN, SPRING SLTD 3/16 X 1-1/2	1
6	1-654-010061-15	SCREW, HX CP 3/4-10UNC X 5, GR5	1
7	1-512-010005-15	NUT, HEX, SLFLKG GRB 3/4-10	1
8	6K099	STOP BLOCK	1
9	171380	HANDLE, PLATED, 3/4 X 20	1
10	5K201	COLLAR	2
11	1P457	ROLL PIN, 1/4 X 1-1/8	2
12	171384	LOOP, HANDLE LOCK	1
13	1-512-010005-05	NUT, HEX, SLFLKG GRB 3/8-16	1
14	171385	SCREW, HANDLE LOCK	1
15	1-298-010001-1	ZERK FITTING 1/4 SAE	2



ILLUSTRATED PARTS LIST

Telescoping Drawbar - 20FT, Standard on WFP38-46

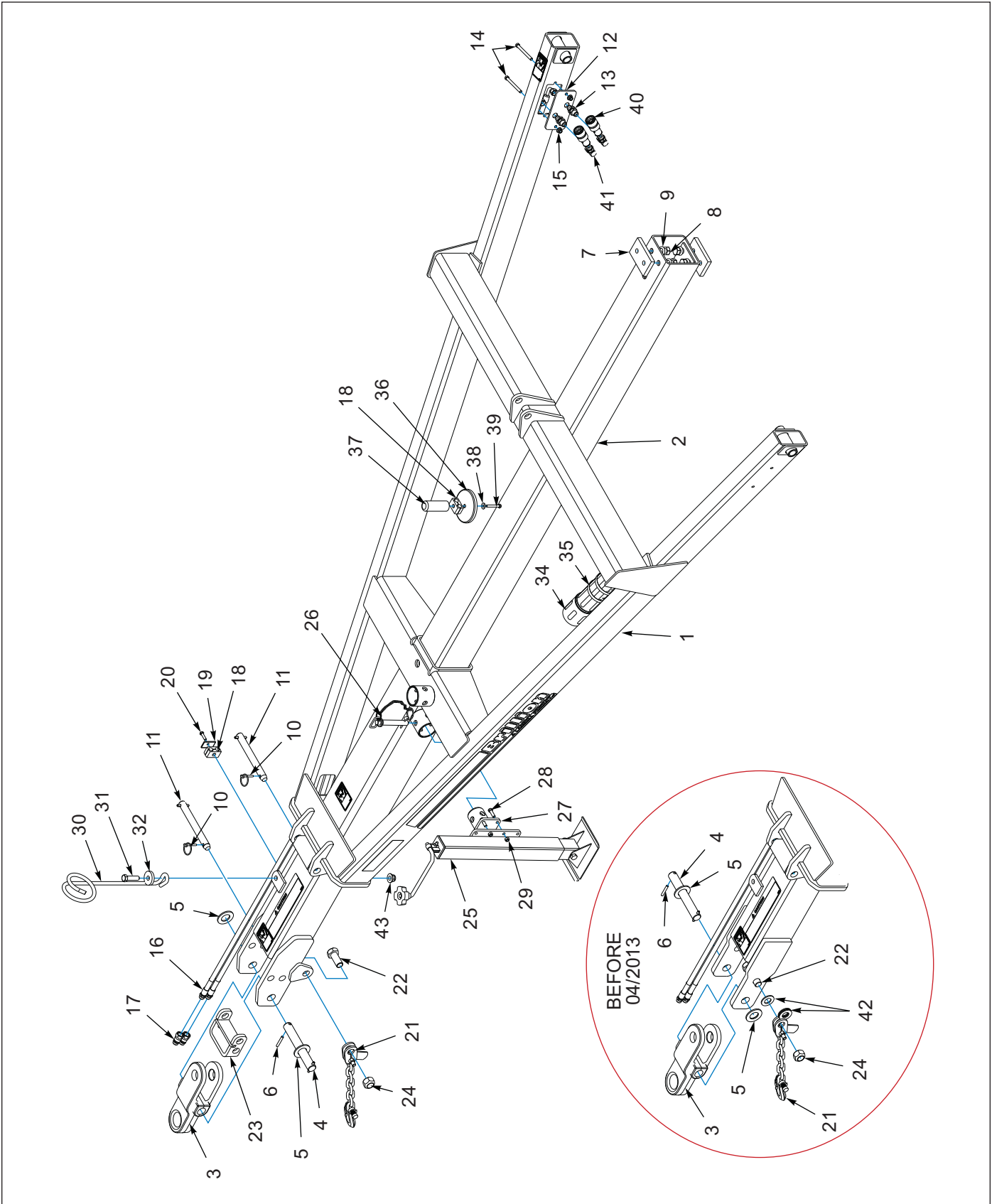


Figure 1-8: Telescoping Drawbar - 20FT, Standard on WFP38-46

## Telescoping Drawbar - 20FT, Standard on WFP38-46

ITEM	PART NUMBER	DESCRIPTION	QTY
1	164735	DRAWBAR A-FRAME	1
2	164753	DRAWBAR	1
3	2J858	HITCH (7002826)	1
4	164756	PIN, 1.25 X 9.0 H2	1
5	116100	WASHER, 1-1/4 NAR FL, ZP/CD	2
6	147072	PIN, SPRING SLOTTED 5/16 X 2	2
7	5J767	STOP	2
8	129263	SCREW, HEX CAP 3/4-10 X 1-1/4	4
9	1-861-010034-17	WASHER, LKG, HLCL SPR, 3/4	4
10	1-557-010327	PIN, LYNCH 1/4 X 1-1/4	2
11	5J765	PIN	2
12	164747	PLATE DRAWBAR BULKHEAD	1
13	102-0322	37 FLARE BULKHEAD/37 FLARE	2
14	108295	SCREW, HX CP 3/8-16UNC X 4, GR5	2
15	2P252	NUT, FLANGE NY-LOK 3/8-16	2
16	174945	HOSE ASM, 3/8 X 284, #8ORB X 90#8JIC	2
17	141828	COUPLER, MALE 3/4-16 O-RING	2
18	1P937	TWIN CLAMP PAIR, .67" DIA	2
19	1P938	TWIN TOP PLATE	1
20	1-654-010049-07	SCREW, H/CAP, 5/16-18UNC X 1-1/2	1
21	141434	SAFETY CHAIN 21,000LB	1
22	151508	SCREW, HX CP 1-8UNC X 3-1/2, GR5 (BEFORE 04/2013)	1
22	1-654-010065-08	SCREW, HX CP 1-8UNC X 2-3/4, GR5 (AFTER 04/2013)	1
23	171838	LOCK, REV HITCH (AFTER 04/2013)	1
24	1-512-010005-19	NUT 1-8 HEX SLF-LOCKING GRB	1
25	2P999	JACK 5000LB	1
26	3P007	PIN, 3/4 W/CHAIN	1
27	3P001	JACK MOUNT, 3/4 PIN	1
28	1-654-010055-03	SCREW, HEX CAP 1/2-13UNC X 1-1/2 (AFTER 12/2014)	4
28	1-654-010051-06	SCREW, HEX CAP 3/8-16UNC X 1-1/4 (BEFORE 12/2014)	4
29	1-512-010005-09	NUT, HEX SLFLKG GRB, 1/2-13 (AFTER 12/2014)	4
29	1-512-010005-05	NUT, HEX SLFLKG GRB, 3/8-16 (BEFORE 12/2014)	4
30	6D333	HOSE SUPPORT	1
31	1-654-010059-06	SCREW, HEX CAP 5/8-11 X 2-1/4, G5	1
32	6K970	WASHER, 0.656 X 2.063 X 0.375, ZP	1
33	2P254	NUT, FLANGE NY-LOK 5/8-11	1
34	1-116-010019	BOX, MANUAL STORAGE	1
35	105-0093	HOSE CLAMP 4-1/2 IDEAL #5264	2
36	164761	MAGNET 190# PULL	1
37	164762	HANDLE, HOSE MAGNET	1
38	1-861-010032-09	WASHER, FLAT 5/16 W, ZP/CD	1
39	108628	SCREW, HX CP 5/16-18UNC X 2-1/4	1
40	142668	COUPLER, FEMALE 3/4-16 O-RING	2

ILLUSTRATED PARTS LIST

Telescoping Drawbar - 24FT, Standard on WFP50-52

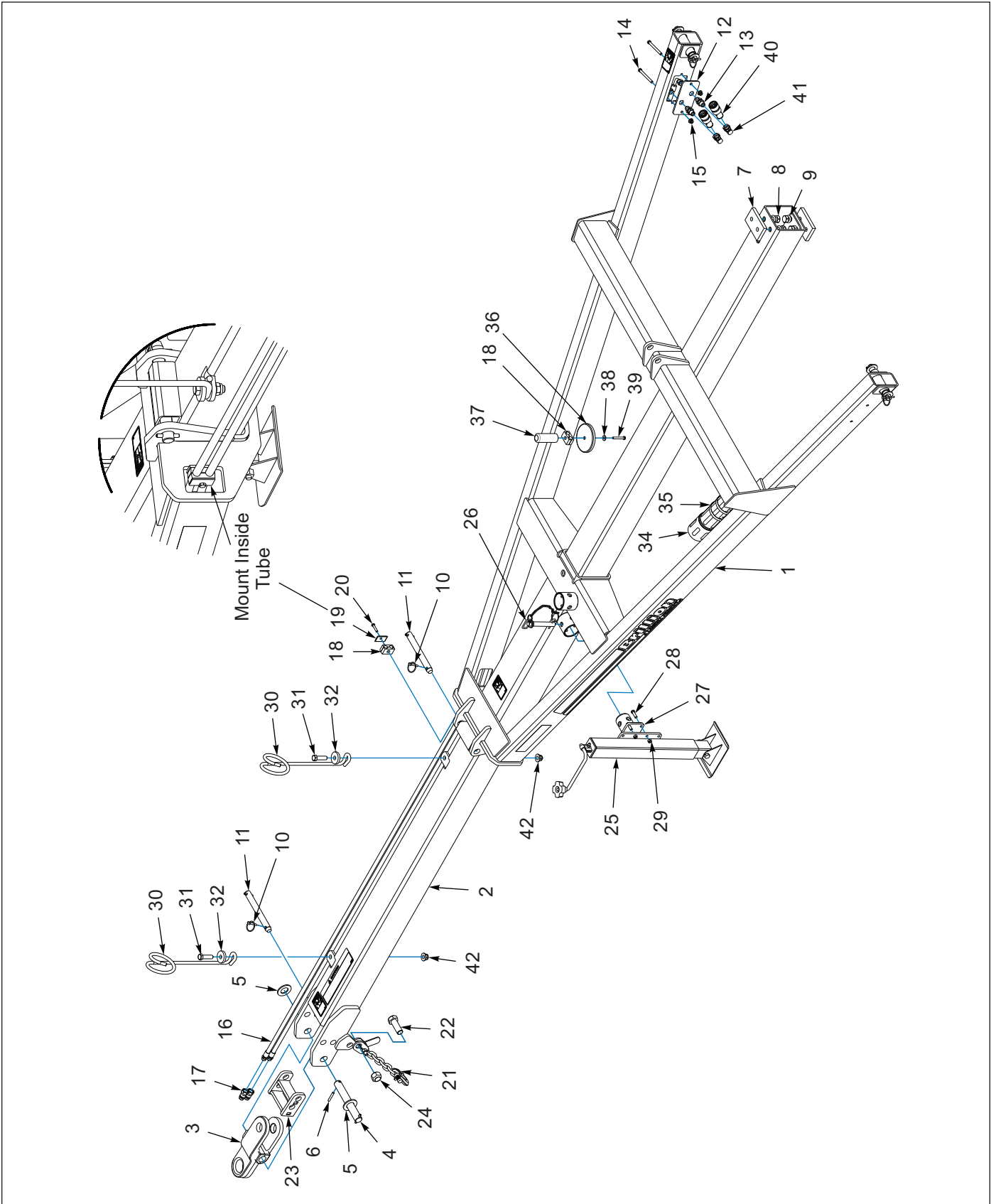


Figure 1-9: Telescoping Drawbar - 24FT, Standard on WFP50-52



## Telescoping Drawbar - 24FT, Standard on WFP50-52

ITEM	PART NUMBER	DESCRIPTION	QTY
1	164735	DRAWBAR AFRAME	1
2	182451	DRAWBAR EXTENSION, LONG	1
3	2J858	HITCH (7002826)	1
4	164756	PIN, 1.25 X 9.0 H2	1
5	116100	WASHER, 1-1/4 NAR FL, ZP/CD	2
6	147072	PIN, SPRING SLOTTED 5/16 X 2	2
7	5J767	STOP	2
8	129263	SCREW, HEX CAP 3/4-10 X 1-1/4	4
9	1-861-010034-17	WASHER, LKG, HLCL SPR, 3/4	4
10	1-557-010327	PIN LYNCH 1/4 X 1-1/4	2
11	5J765	PIN	2
12	164747	PLATE DRAWBAR BULKHEAD	1
13	102-0322	37 FLARE BULKHEAD/37 FLARE	2
14	108295	SCREW, HX CP 3/8-16UNC X 4, GR5	2
15	2P252	NUT, FLANGE NY-LOK 3/8-16	2
16	181370	HOSE ASM, 3/8 X 332, #8ORB X 90#8JIC	2
17	141828	COUPLER, MALE 3/4-16 O-RING	2
18	1P937	TWIN CLAMP PAIR, .67" DIA	2
19	1P938	TWIN TOP PLATE	1
20	1-654-010049-07	SCREW, H/CAP, 5/16-18UNC X 1-1/2	1
21	141434	SAFETY CHAIN 21,000LB	1
22	1-654-010065-08	SCREW, HX CP 1-8UNC X 2-3/4, GR5	1
23	171838	LOCK, REV HITCH	1
24	1-512-010005-19	NUT, 1-8 HEX SLF-LOCKING, GRB	1
25	2P999	JACK 5000LB	1
26	3P007	PIN, 3/4 W/CHAIN	1
27	3P001	JACK MOUNT, 3/4 PIN	1
28	1-654-010055-03	SCREW, HEX CAP 1/2-13UNC X 1-1/2 (AFTER 12/2014)	4
28	1-654-010051-06	SCREW, HEX CAP 3/8-16UNC X 1-1/4 (BEFORE 12/2014)	4
29	1-512-010005-09	NUT, HEX SLFLKG GRB, 1/2-13 (AFTER 12/2014)	4
29	1-512-010005-05	NUT, HEX SLFLKG GRB, 3/8-16 (BEFORE 12/2014)	4
30	6D333	HOSE SUPPORT	2
31	1-654-010059-06	SCREW, HEX CAP 5/8-11 X 2-1/4, G5	2
32	6K970	WASHER, 0.656 X 2.063 X 0.375, ZP	2
33	2P254	NUT, FLANGE NY-LOK 5/8-11	1
34	1-116-010019	BOX, MANUAL STORAGE	1
35	105-0093	HOSE CLAMP 4-1/2 IDEAL #5264	2
36	164761	MAGNET 190# PULL	1
37	164762	HANDLE HOSE MAGNET	1
38	1-861-010032-09	WASHER, FLAT 5/16 W, ZP/CD	1
39	108628	SCREW, HX CP 5/16-18UNC X 2-1/4	1
40	142668	COUPLER FEMALE 3/4-16 O-RING	2
41	2P140	ELBOW, 08MOR X 08FJS X 90DEG	2
42	2P254	NUT, FLANGE NY-LOK 5/8-11	2

# Wing Frame with Spherical Bearings

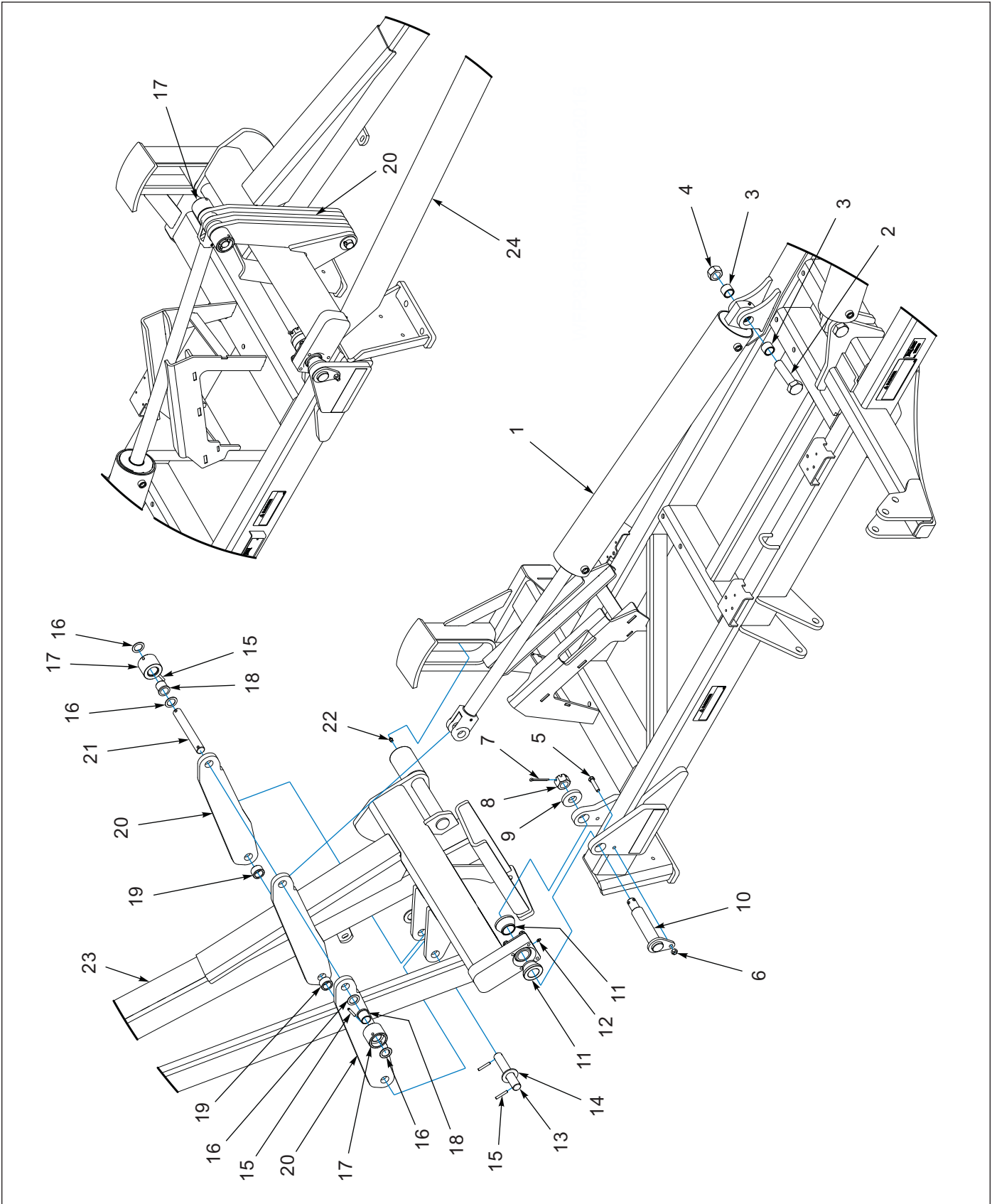


Figure 1-10: Wing Frame with Spherical Bearings

## Wing Frame with Spherical Bearings

ITEM	PART NUMBER	DESCRIPTION	QTY
1	173376	HYD CYLINDER, 5 X 42 (WFP38-46) (SEE PAGE 1-87) (SEE PAGE 1-88)	2
1	181526	HYD CYLINDER, 5-1/2 X 42 (WFP50-52) (SEE PAGE 1-89) (SEE PAGE 1-90)	2
2	174290	HHCS, 1-1/4-7 X 5-1/4, ASTM A325, ZP	2
3	174286	BUSHING, 1-1/4 X 1-5/8 X 1-3/16	4
4	101385	NUT, HEX SLFLKG, 1-1/4-7, GRB	2
5	169690	SCREW, HX CTSK 1/2-13 X 2-1/4	2
6	1-512-010005-09	NUT, HEX SLFLKG GRB 1/2-13	2
7	1-557-010362-65	PIN, COTTER 1/4 X 2-1/2	2
8	2P744	NUT, HEX SLOT THK 1-1/4-12, YP	2
9	188049	WASHER, 1.28 X 2.50 X 0.5	2
10	200862	PIN WLD, 1-3/4 THREADED	2
11	200858	SPACER, 1-3/4 ID X 1-1/2	4
12	1-298-010001-1	FIT, GREASE 1/4-28 TAPER	2
13	9J400	WHEEL ARM PIN (1.25 X 7.313)	2
14	116100	WASHER, 1-1/4 NAR FL, ZP/CD	4
15	147072	PIN, SPRING SLOTTED 5/16 X 2	8
16	4J548	MACH BUSH, 1.25 X 1.875 X 14GA	8
17	174273	ROLLER, WING LINK (INCLUDES ITEMS 18)	4
18	144460	BEARING, FLANGE 1-1/4	4
19	171357	TUBE, RND 1.265 X 1.75 X .938	4
20	171714	LINK, WING FOLD	6
21	164756	PIN 1.25 X 9.0 H2	2
22	5000	ZERK FITTING 1/8NPT	2
23	200921	WING, RH 11FT WFP (SHOWN) (WFP38) (SEE PAGE 1-16)	1
23	200923	WING, RH 12FT WFP (WFP40) (SEE PAGE 1-16)	1
23	200925	WING, RH 13FT WFP (WFP42) (SEE PAGE 1-16)	1
23	200927	WING, RH 14FT WFP (WFP44) (SEE PAGE 1-16)	1
23	200929	WING, RH 15FT WFP (WFP46) (SEE PAGE 1-16)	1
23	200931	WING, RH 16FT WFP (WFP50) (SEE PAGE 1-16)	1
23	200933	WING, RH 17FT WFP (WFP52) (SEE PAGE 1-16)	1
24	200920	WING, LH 11FT WFP (SHOWN) (WFP38) (SEE PAGE 1-17)	1
24	200922	WING, LH 12FT WFP (WFP40) (SEE PAGE 1-17)	1
24	200924	WING, LH 13FT WFP (WFP42) (SEE PAGE 1-17)	1
24	200926	WING, LH 14FT WFP (WFP44) (SEE PAGE 1-17)	1
24	200928	WING, LH 15FT WFP (WFP46) (SEE PAGE 1-17)	1
24	200930	WING, LH 16FT WFP (WFP50) (SEE PAGE 1-17)	1
24	200932	WING, LH 17FT WFP (WFP52) (SEE PAGE 1-17)	1

## Right Wing Frame Assemblies with Spherical Bearings

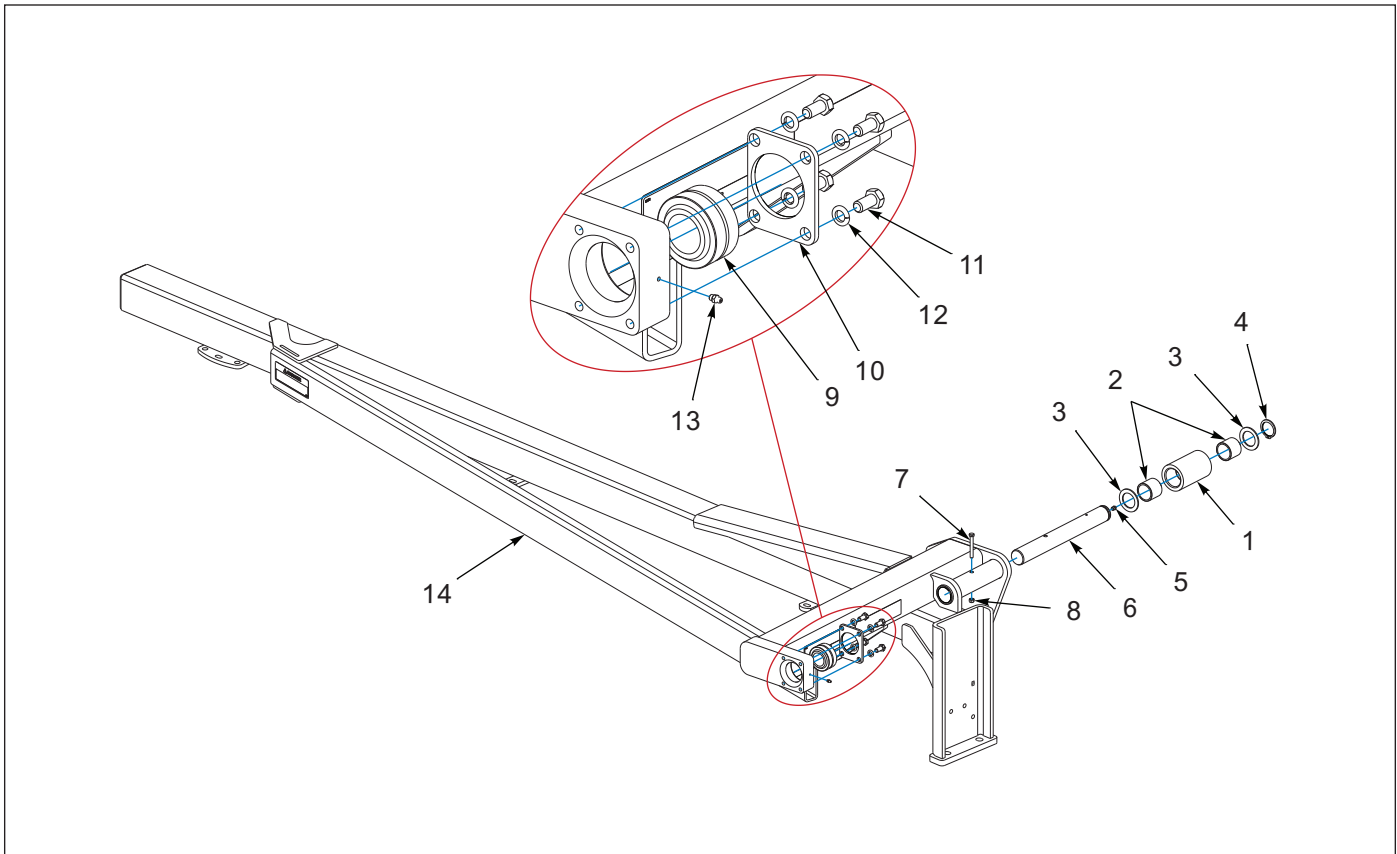


Figure 1-11: Right Wing Frame Assemblies with Spherical Bearings

## Right Wing Frame Assemblies with Spherical Bearings

ITEM	PART NUMBER	DESCRIPTION	QTY
	200921	WING, ASM RH 11FT, WFP (WFP38)	1
	200923	WING, ASM RH 12FT, WFP (WFP40)	1
	200925	WING, ASM RH 13FT, WFP (WFP42)	1
	200927	WING, ASM RH 14FT, WFP (WFP44)	1
	200929	WING, ASM RH 15FT, WFP (WFP46)	1
	200931	WING, ASM RH 16FT, WFP (WFP50)	1
	200933	WING, ASM RH 17FT, WFP (WFP52)	1
1	2P269	BRG BRONZE, 2.004 X 2.380 X 2.0	2
2	2P268	ROLLER, HINGE	1
3	4J409	MACHINERY BUSHING (2.0 X 3.0 X 10GA)	2
4	2P267	RETAINING RING, 5160-200	1
5	5000	ZERK FITTING 1/8NPT (ORDER SEPERATELY, NOT INCLUDED)	1
6	231044	PIN, 2" HINGE	1
7	1-654-010051-13	SCREW, HX CP, 3/8-16UNC X 3, GR5	1
8	1-512-010005-05	NUT, HEX, SLFLKG GRB 3/8-16	1
9	201354	SPHERICAL BEARING, 1-3/4	1
10	200859	RETAINER, BEARING	1
11	1-654-010055-01	SCR, HX CP 1/2-13UNC X 1, GR5	4
12	1-861-010034-13	WASHER, LOCK 1/2, ZP	4
13	1-298-010001-1	ZERK FITTING 1/4 SAE	1
14	-----	WING FRAME WELDMENT (NOT SOLD SEPARATELY)	1

## Left Wing Frame Assemblies with Spherical Bearings

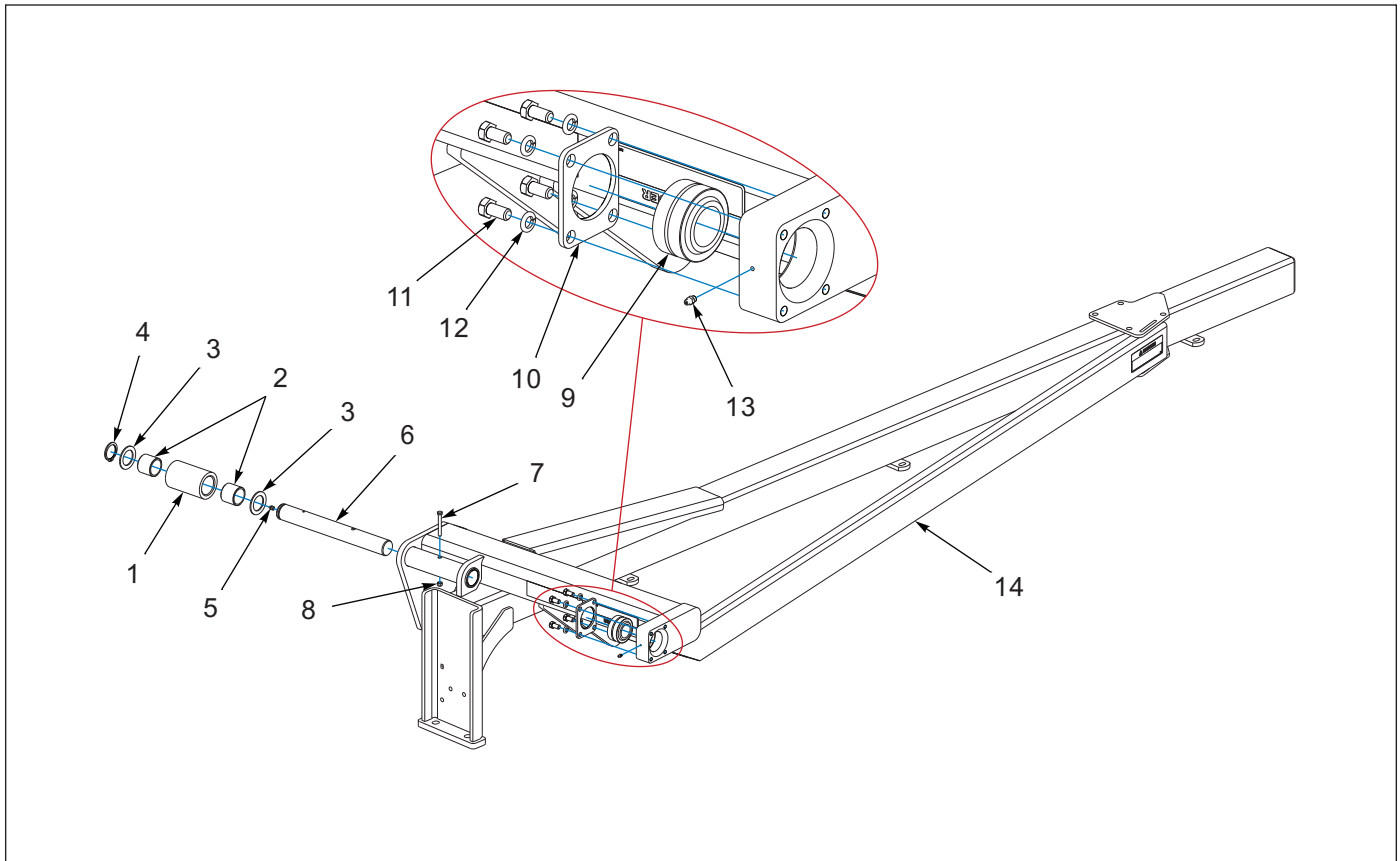


Figure 1-12: Left Wing Frame Assemblies with Spherical Bearings

## Left Wing Frame Assemblies with Spherical Bearings

ITEM	PART NUMBER	DESCRIPTION	QTY
	200920	WING, ASM LH 11FT, WFP (WFP38)	1
	200922	WING, ASM LH 12FT, WFP (WFP40)	1
	200924	WING, ASM LH 13FT, WFP (WFP42)	1
	200926	WING, ASM LH 14FT, WFP (WFP44)	1
	200928	WING, ASM LH 15FT, WFP (WFP46)	1
	200930	WING, ASM LH 16FT, WFP (WFP50)	1
	200932	WING, ASM LH 17FT, WFP (WFP52)	1
1	2P269	BRG BRONZE, 2.004 X 2.380 X 2.0	2
2	2P268	ROLLER, HINGE	1
3	4J409	MACHINERY BUSHING (2.0 X 3.0 X 10GA)	2
4	2P267	RETAINING RING, 5160-200	1
5	5000	ZERK FITTING 1/8NPT (ORDER SEPERATELY, NOT INCLUDED)	1
6	231044	PIN, 2" HINGE	1
7	1-654-010051-13	SCREW,HX CP,3/8-16UNCX3,GR5	1
8	1-512-010005-05	NUT, HEX, SLFLKG GRB 3/8-16	1
9	201354	SPHERICAL BEARING, 1-3/4	1
10	200859	RETAINER, BEARING	1
11	1-654-010055-01	SCR, HX CP 1/2-13UNC X 1, GR5	4
12	1-861-010034-13	WASHER, LOCK 1/2, ZP	4
13	1-298-010001-1	ZERK FITTING 1/4 SAE	1
14	-----	WING FRAME WELDMENT (NOT SOLD SEPARATELY)	1

# Wing Rests

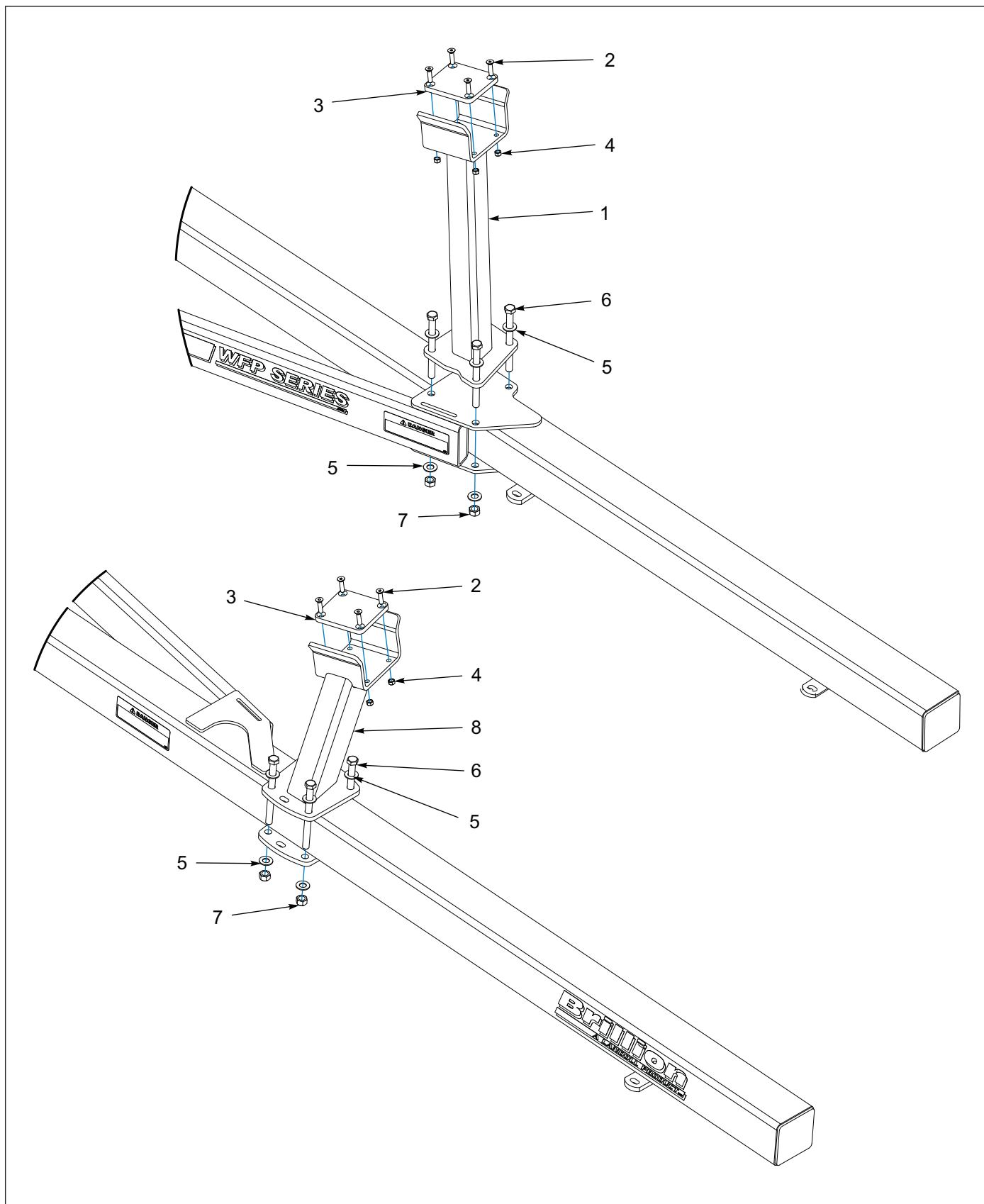


Figure 1-13: Wing Rests

## Wing Rests

ITEM	PART NUMBER	DESCRIPTION	QTY
1	174299	WING REST, WFP38-46 LH	1
2	118626	SCREW, HXSKT CTSK 3/8-16 X 1-1/2	8
3	171727	PAD, WING REST BUMPER	2
4	1-512-010005-05	NUT, HEX, SLFLKG GRB 3/8-16	8
5	1-861-010032-18	WASHER, FLAT 5/8 N, ZP/CD	16
6	123096	SCREW, HX CP 5/8-11UNC X 7.50, GR5	8
7	1-512-010005-13	NUT, HEX SLFLKG GRB 5/8-11	8
8	173557	WING REST, WFP38-46 RH	1

# Center Frame Roller w/Welded Stubs (After 04/2021)

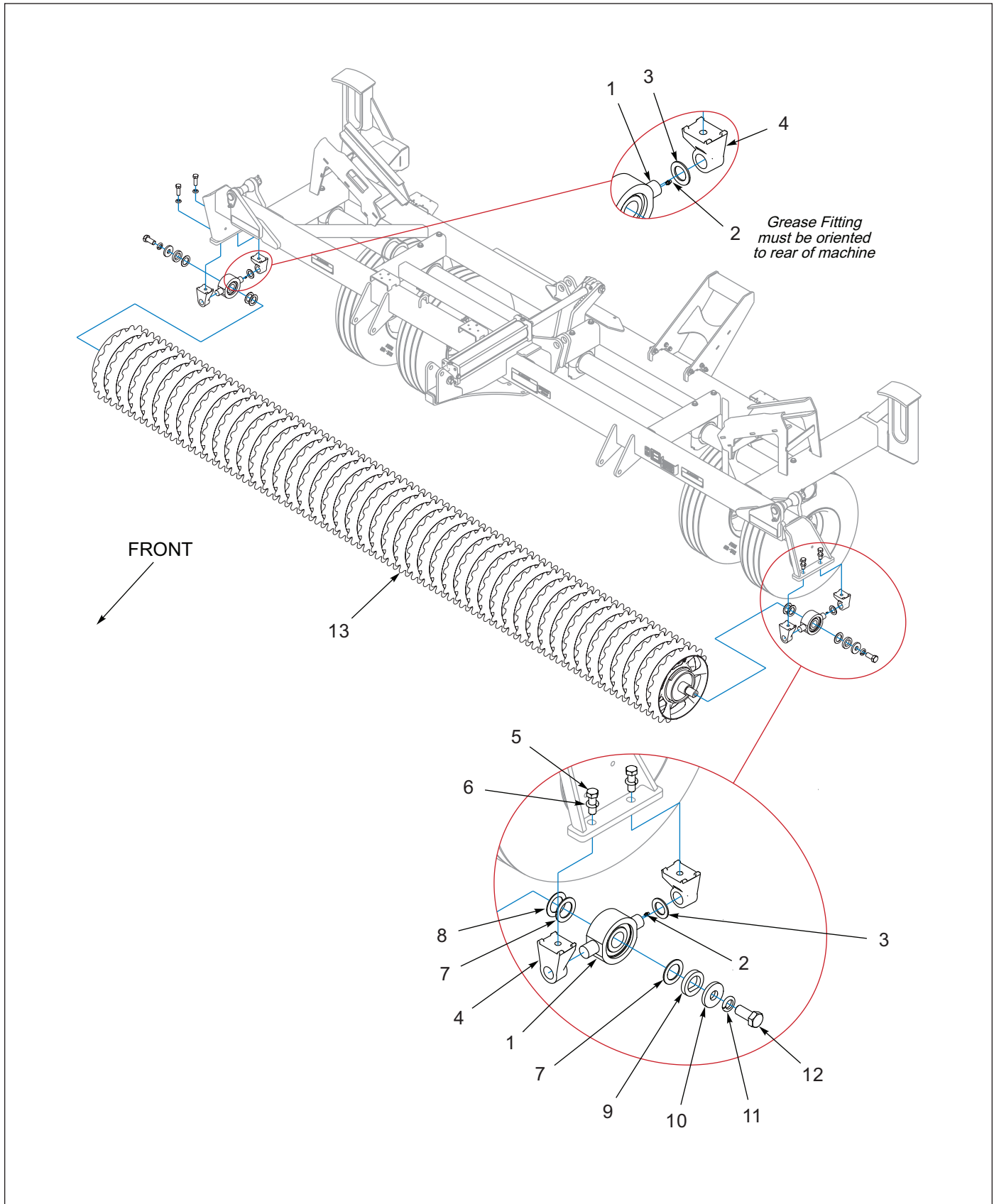


Figure 1-14: Center Frame Roller w/Welded Stubs (After 04/2021)



## Center Frame Roller w/Welded Stubs (After 04/2021)

ITEM	PART NUMBER	DESCRIPTION	QTY
1	140477	BEARING, DISC 1.775 ID ASSY (INCL. ITEM 2) (SEE PAGE 1-38)	2
2	5000	ZERK FITTING 1/8NPT	2
3	140480	WASHER, TRUNNION	2
4	140479	MOUNT, TRUNNION BEARING	4
5	1-654-010061-06	SCREW, HXCP, 3/4-10UNC X 2-1/4, GR5	4
6	1-861-010034-17	WASHER, LKG, HLCL SPR, 3/4	4
7	171738	WASHER, SHIM 11 GA, 1.79 ID	4
8	171739	WASHER, SHIM 14 GA, 1.79 ID	2
9	154186	WASHER, FLAT TOP	2
10	154185	WASHER, 3/8 THICK 1" ID	2
11	1-861-010034-21	WASHER, LKG HEL SPRG 1IN	2
12	137943	SCREW, HEX CAP 1-8UNC X 2-1/4, GR5	2
13	234127	AXLE ASM,188" NOTCHED (SEE PAGE 1-38)	1
13	234130	AXLE ASM,188" RH CROWFOOT (SEE PAGE 1-44)	1
13	234136	AXLE ASM,188" OPTIMIZER (SEE PAGE 1-50)	1

Center Frame Roller w/Bolted Stubs (Before 04/2021)

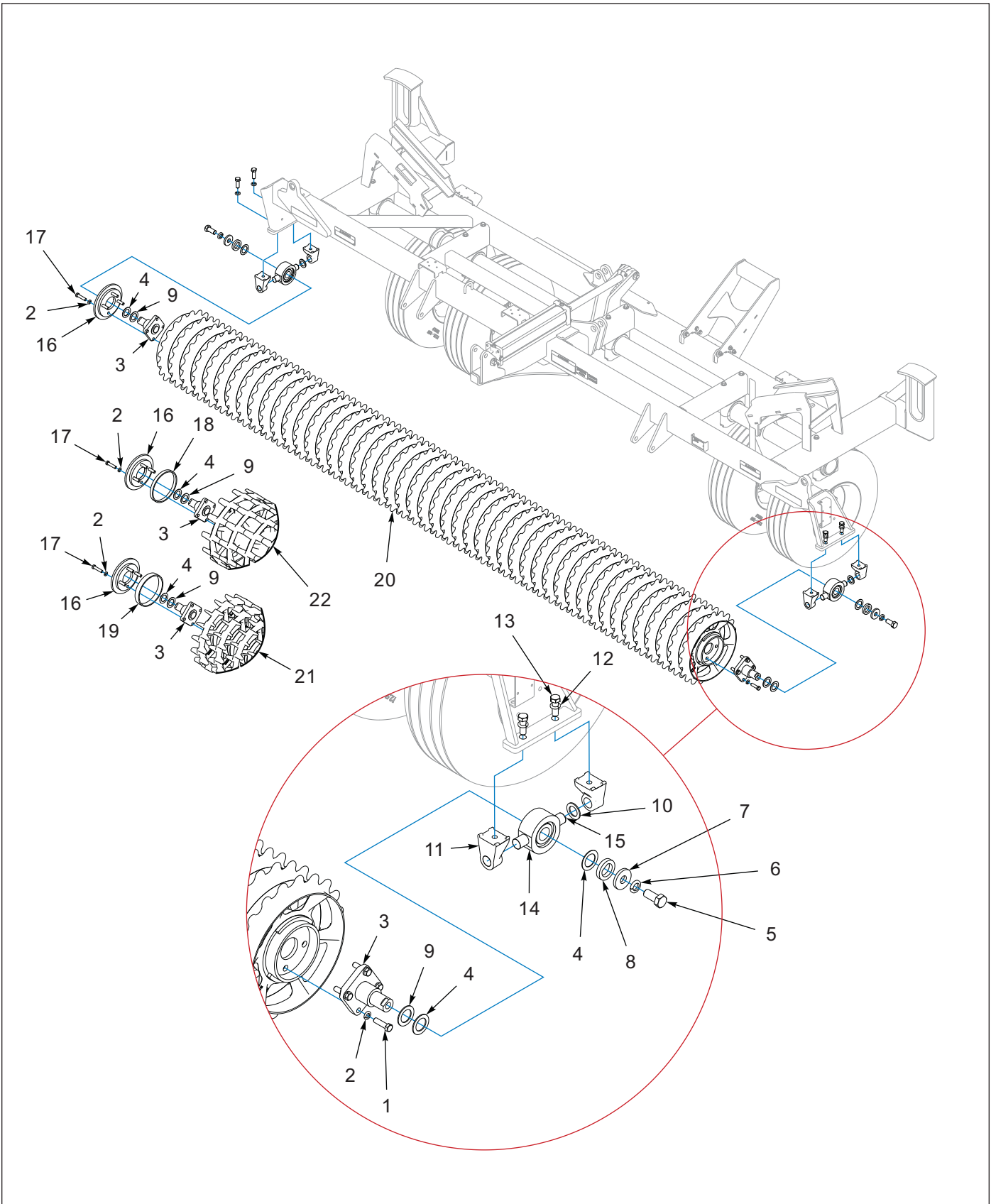


Figure 1-15: Center Frame Roller w/Bolted Stubs (Before 04/2021)

## Center Frame Roller w/Bolted Stubs (Before 04/2021)

ITEM	PART NUMBER	DESCRIPTION	QTY
1	1-654-010059-06	SCREW, HEX CAP 5/8-11 X 2-1/4, G5	8
2	1-861-010034-15	WASHER, LKG,HLCL SPR, 5/8	8
3	173119	SHAFT-STUB, AXLE, WELDMENT	2
4	171738	WASHER, SHIM 11 GA, 1.79 ID	4
5	137943	SCREW, HEX CAP 1-8UNC X 2-1/4, GR5	2
6	1-861-010034-21	WASHER, LKG HEL SPRG 1IN	2
7	154185	WASHER, 3/8 THICK 1" ID	2
8	154186	WASHER, FLAT TOP	2
9	171739	WASHER, SHIM 14 GA, 1.79 ID	2
10	140480	WASHER, TRUNNION	2
11	140479	MOUNT, TRUNNION BEARING	4
12	1-861-010034-17	WASHER, LKG, HLCL SPR, 3/4	4
13	1-654-010061-06	SCREW, HXCP, 3/4-10UNC X 2-1/4, GR5	4
14	140477	BEARING, DISC 1.775 ID ASSY <b>(SEE PAGE 1-38)</b>	2
15	5000	ZERK FITTING 1/8NPT	2
16	178545	STOP, WHEEL	1
17	1-654-010059-08	SCREW, HEX CAP 5/8-11 X 2-3/4, G5	4
18	179346	TUBE, RND 8.125 X 8.625 X .781 <b>(OPTIMIZER)</b>	1
19	164675	TUBE RND 8.125 X 8.625 X 1.25 <b>(CROWFOOT)</b>	1
20	164655	AXLE ASM, 15FT NOTCHED DUCTILE <b>(188") (SEE PAGE 1-42)</b>	1
21	164731	AXLE ASM, 15FT X 8" TUBE CROWFOOT <b>(188") (SEE PAGE 1-48)</b>	1
22	164720	AXLE ASM, 15FT X 8", OPTIMIZER <b>(188") (SEE PAGE 1-53)</b>	1

# V-Wheel Center Roller Mounting Hardware

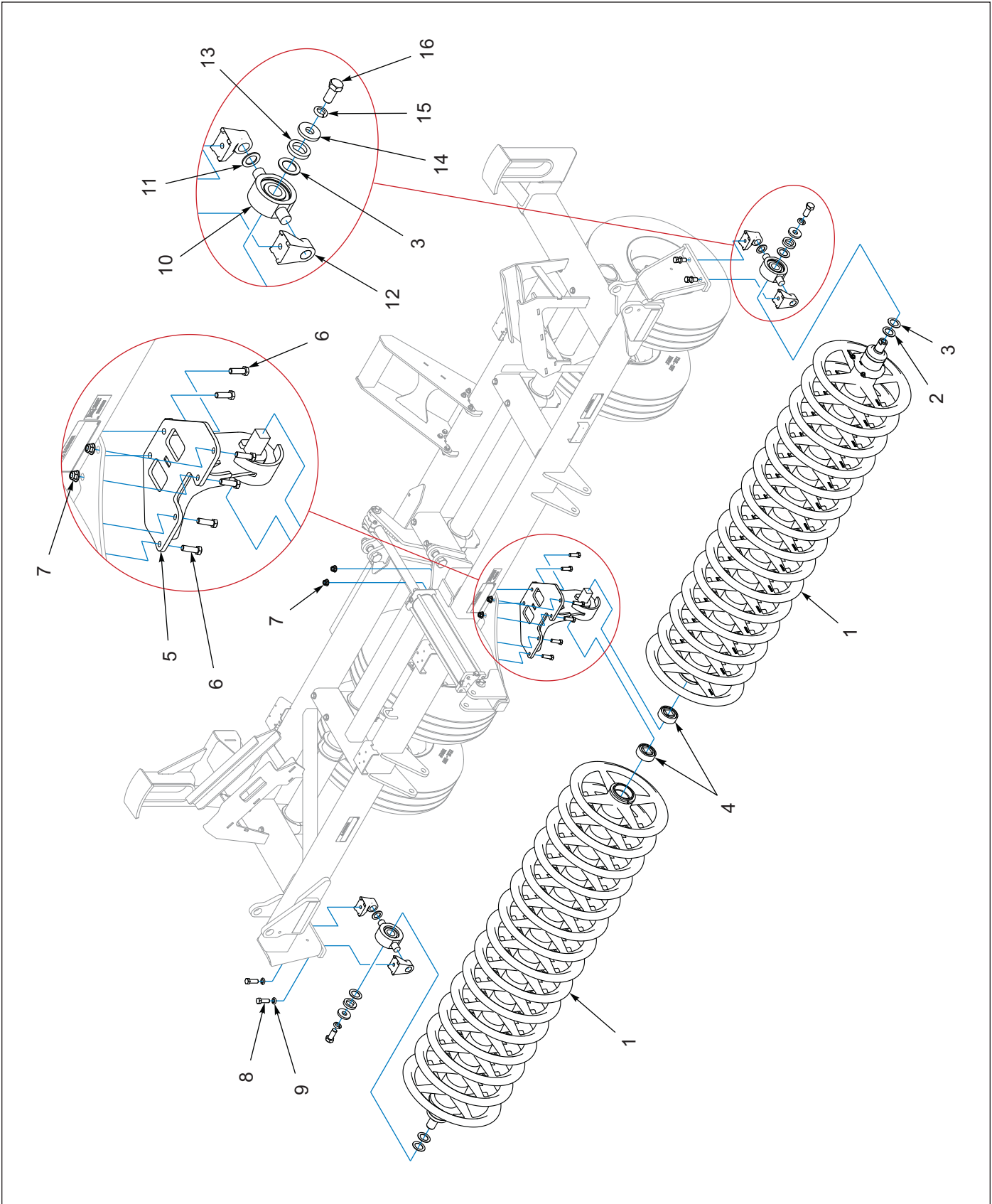


Figure 1-16: V-Wheel Center Roller Mounting Hardware

## V-Wheel Center Roller Mounting Hardware

ITEM	PART NUMBER	DESCRIPTION	QTY
1	191114	AXLE ASM, V-WHL STUB/BRG 7.5FT <b>(INCLUDES ITEM 4)</b> <b>(SEE PAGE 1-54)</b>	2
2	171739	WASHER, SHIM 14 GA, 1.79 ID	2
3	171738	WASHER, SHIM 11 GA, 1.79 ID	4
4	3J246	SQ BORE BEARING	2
5	209835	HANGER, WFP CTR FRAME BRG	1
6	1-654-010059-05	SCREW, HEX CAP, 5/8-11UNC X 2, GR5	6
7	2P254	NUT, FLANGE NY-LOK 5/8-11	6
8	1-654-010061-06	SCREW, HXCP 3/4-10UNC X 2-1/4, GR5	4
9	1-861-010034-17	WASHER, LKG HEL SPR, 3/4	4
10	140477	BEARING, DISC 1.775 ID ASSY <b>(SEE PAGE 1-38)</b>	2
11	140480	WASHER, TRUNNION	2
12	140479	MOUNT, TRUNNION BEARING	4
13	154186	WASHER, FLAT TOP	2
14	154185	WASHER, 3/8 THICK 1" ID	2
15	1-861-010034-21	WASHER, LKG HEL SPRG 1IN	2
16	137943	SCREW, HEX CAP 1-8UNC X 2-1/4, GR5	2

### Wing Roller w/Welded Stubs, WFP38-46, (After 04/2021)

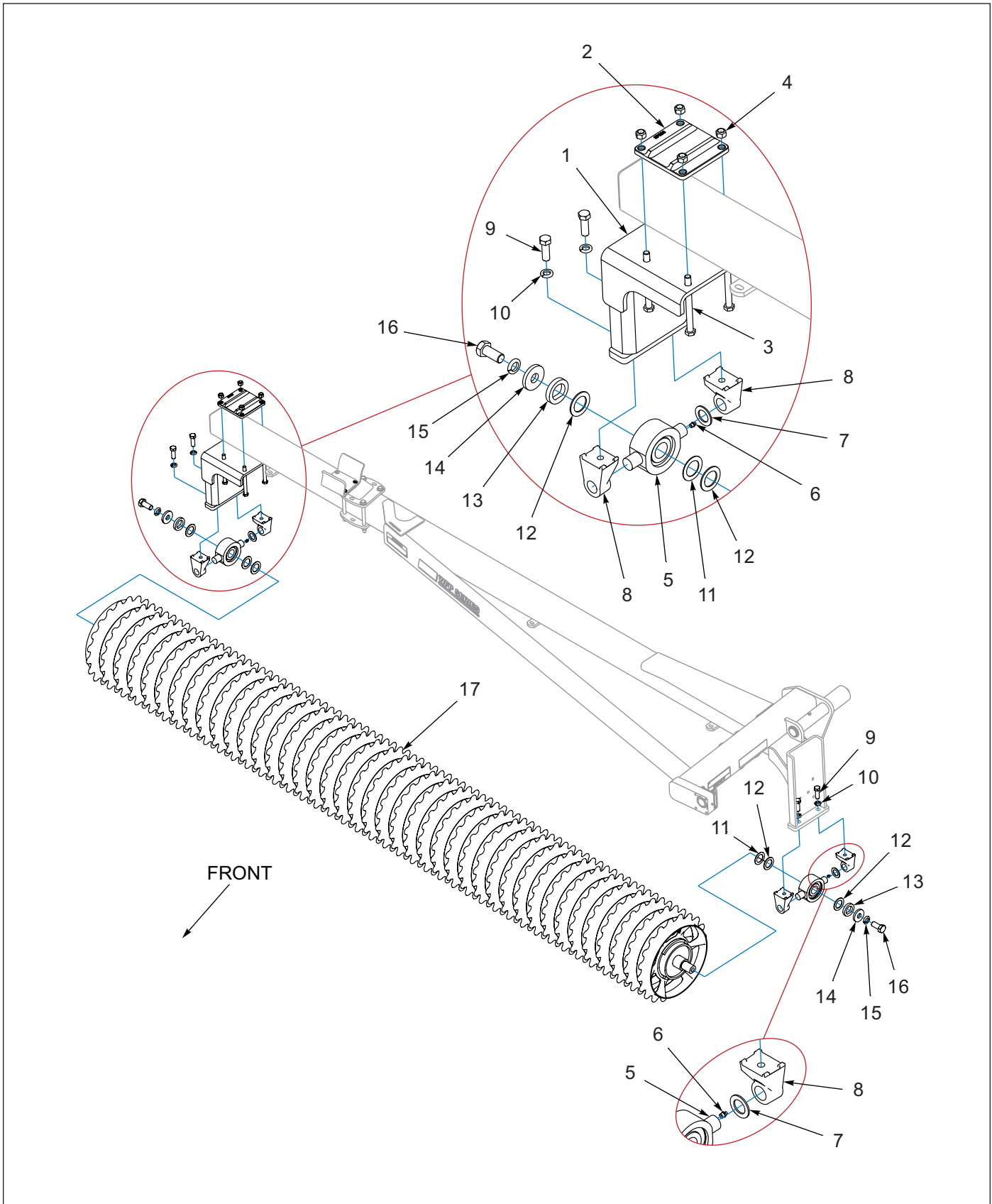


Figure 1-17: Wing Roller w/Welded Stubs, WFP38-46, (After 04/2021)

## Wing Roller w/Welded Stubs, WFP38-46, (After 04/2021)

ITEM	PART NUMBER	DESCRIPTION	QTY
1	173120	BOLT ON BEARING HANGER	1
2	2P236	CLAMP, BRG HANGER	1
3	113064	SCREW, HX CP, 5/8-11UNC X 7, GR5	4
4	1-512-010005-13	NUT,HEX SLFLKG GRB 5/8-11	4
5	140477	BEARING, DISC 1.775 ID ASSY (INCL. ITEM 6) (SEE PAGE 1-38)	2
6	5000	ZERK FITTING 1/8NPT	2
7	140480	WASHER, TRUNNION	2
8	140479	MOUNT, TRUNNION BEARING	4
9	1-654-010061-06	SCREW, HXCP, 3/4-10UNC X 2-1/4, GR5	2
10	1-861-010034-17	WASHER, LKG, HLCL SPR, 3/4	2
11	171739	WASHER, SHIM 14 GA, 1.79 ID	2
12	171738	WASHER, SHIM 11 GA, 1.79 ID	4
13	154186	WASHER, FLAT TOP	2
14	154185	WASHER, 3/8 THICK 1" ID	2
15	1-861-010034-21	WASHER, LKG HEL SPRG 1IN	2
16	137943	SCREW, HEX CAP 1-8UNC X 2-1/4, GR5	2
17	231059	ROLLER ASM, 140" NOTCHED (WFP38) (SEE PAGE 1-38)	1
17	231060	ROLLER ASM, 152" NOTCHED (WFP40) (SEE PAGE 1-38)	1
17	234125	AXLE ASM,164" NOTCHED (WFP42) (SEE PAGE 1-38)	1
17	234126	AXLE ASM,176" NOTCHED (WFP44) (SEE PAGE 1-38)	1
17	234127	AXLE ASM,188" NOTCHED (WFP46) (SEE PAGE 1-38)	1
17	231067	ROLLER ASM, 140" RH CROWFOOT (WFP38) (SEE PAGE 1-44)	1
17	231075	ROLLER ASM, 140" LH CROWFOOT (WFP38) (SEE PAGE 1-44)	1
17	231068	ROLLER ASM, 152" RH CROWFOOT (WFP40) (SEE PAGE 1-44)	1
17	231076	ROLLER ASM, 152" LH CROWFOOT (WFP40) (SEE PAGE 1-44)	1
17	234128	AXLE ASM,164" RH CROWFOOT (WFP42) (SEE PAGE 1-44)	1
17	234131	AXLE ASM,164" LH CROWFOOT (WFP42) (SEE PAGE 1-44)	1
17	234129	AXLE ASM,176" RH CROWFOOT (WFP44) (SEE PAGE 1-44)	1
17	234132	AXLE ASM,176" LH CROWFOOT (WFP44) (SEE PAGE 1-44)	1
17	234130	AXLE ASM,188" RH CROWFOOT (WFP46) (SEE PAGE 1-44)	1
17	234133	AXLE ASM,188" LH CROWFOOT (WFP46) (SEE PAGE 1-44)	1
17	231083	ROLLER ASM, 140" OPTIMIZER (WFP38) (SEE PAGE 1-50)	1
17	231084	ROLLER ASM, 152" OPTIMIZER (WFP40) (SEE PAGE 1-50)	1
17	234134	AXLE ASM,164" OPTIMIZER (WFP42) (SEE PAGE 1-50)	1
17	234135	AXLE ASM,176" OPTIMIZER (WFP44) (SEE PAGE 1-50)	1
17	234136	AXLE ASM,188" OPTIMIZER (WFP46) (SEE PAGE 1-50)	1

Wing Roller w/Bolted Stubs, WFP38-46 (Before 04/2021)

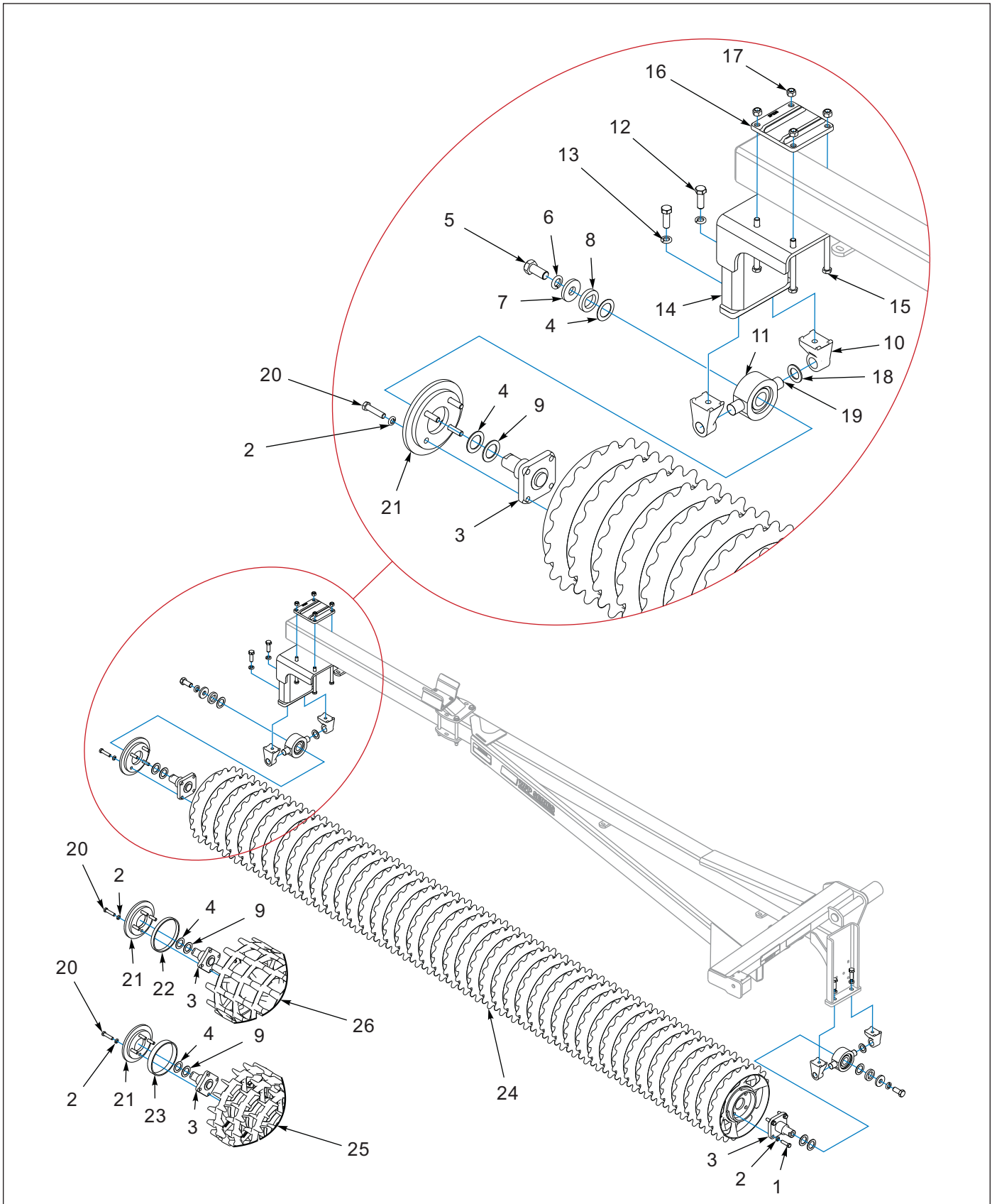


Figure 1-18: Wing Roller w/Bolted Stubs, WFP38-46 (Before 04/2021)



## Wing Roller w/Bolted Stubs, WFP38-46 (Before 04/2021)

ITEM	PART NUMBER	DESCRIPTION	QTY
1	1-654-010059-06	SCREW, HEX CAP 5/8-11 X 2-1/4, G5	8
2	1-861-010034-15	WASHER, LKG,HLCL SPR, 5/8	8
3	173119	SHAFT-STUB, AXLE, WELDMENT	2
4	171738	WASHER, SHIM 11 GA, 1.79 ID	4
5	137943	SCREW, HEX CAP 1-8UNC X 2-1/4, GR5	2
6	1-861-010034-21	WASHER, LKG HEL SPRG 1IN	2
7	154185	WASHER, 3/8 THICK 1" ID	2
8	154186	WASHER, FLAT TOP	2
9	171739	WASHER, SHIM 14 GA, 1.79 ID	2
10	140479	MOUNT, TRUNNION BEARING	4
11	140477	BEARING, DISC 1.775 ID ASSY (SEE PAGE 1-38)	2
12	1-654-010061-06	SCREW, HXCP, 3/4-10UNC X 2-1/4, GR5	2
13	1-861-010034-17	WASHER, LKG, HLCL SPR, 3/4	2
14	173120	BOLT ON BEARING HANGER	1
15	113064	SCREW, HX CP, 5/8-11UNC X 7, GR5	4
16	2P236	CLAMP, BRG HANGER	1
17	1-512-010005-13	NUT, NY-LOK 5/8-11	4
18	140480	WASHER, TRUNNION	2
19	5000	ZERK FITTING 1/8NPT	2
20	1-654-010059-08	SCREW, HEX CAP 5/8-11 X 2-3/4, G5	4
21	179352	STOP, WHEEL, 1/4 WALL TUBE (WFP38-42) (11FT,12FT,13FT)	1
21	178545	STOP, WHEEL (WFP44-46) (14FT,15FT)	1
22	179346	TUBE, RND 8.125 X 8.625 X .781 (OPTIMIZER)	1
23	164675	TUBE RND 8.125 X 8.625 X 1.25 (CROWFOOT)	1
24	3P032	AXLE ASM, 11' X 8" TUBE (WFP38) (SEE PAGE 1-42)	1
24	3P033	AXLE ASM, 12' X 8" TUBE (WFP40) (SEE PAGE 1-42)	1
24	164653	AXLE ASM, 13' NOTCHED DUCTILE (WFP42) (SEE PAGE 1-42)	1
24	164654	AXLE ASM, 14' NOTCHED DUCTILE (WFP44) (SEE PAGE 1-42)	1
24	164655	AXLE ASM, 15' NOTCHED DUCTILE (WFP46) (SEE PAGE 1-42)	1
25	164727	AXLE ASM, 11' X 8" TUBE CROW (RH) (WFP38) (SEE PAGE 1-48)	1
25	180498	AXLE, 11' LH CROWFOOT (WFP38) (SEE PAGE 1-48)	1
25	164728	AXLE ASM, 12' X 8" TUBE CROW (RH) (WFP40) (SEE PAGE 1-48)	1
25	180499	AXLE, 12' LH CROWFOOT (WFP40) (SEE PAGE 1-48)	1
25	164729	AXLE ASM, 13' X 8" CROWFOOT (RH) (WFP42) (SEE PAGE 1-48)	1
25	180500	AXLE, 13' LH CROWFOOT (WFP42) (SEE PAGE 1-48)	1
25	164730	AXLE ASM, 14' X 8" CROWFOOT (RH) (WFP44) (SEE PAGE 1-48)	1
25	180501	AXLE, 14' LH CROWFOOT (WFP44) (SEE PAGE 1-48)	1
25	164731	AXLE ASM, 15' X 8" CROWFOOT (RH) (WFP46) (SEE PAGE 1-48)	1
25	180502	AXLE, 15' LH CROWFOOT (WFP46) (SEE PAGE 1-48)	1
26	164716	AXLE ASM, 11' X 8" TUBE, OPT (WFP38) (SEE PAGE 1-53)	1
26	164717	AXLE ASM, 12' X 8" TUBE, OPT (WFP40) (SEE PAGE 1-53)	1
26	164718	AXLE ASM, 13' X 8" TUBE, OPTIMIZER (WFP42) (SEE PAGE 1-53)	1
26	164719	AXLE ASM, 14' X 8" TUBE, OPTIMIZER (WFP44) (SEE PAGE 1-53)	1
26	164720	AXLE ASM, 15' X 8" TUBE, OPTIMIZER (WFP46) (SEE PAGE 1-53)	1

Wing Frame Rollers w/Welded Stubs, WFP50-52 (After 04/2021)

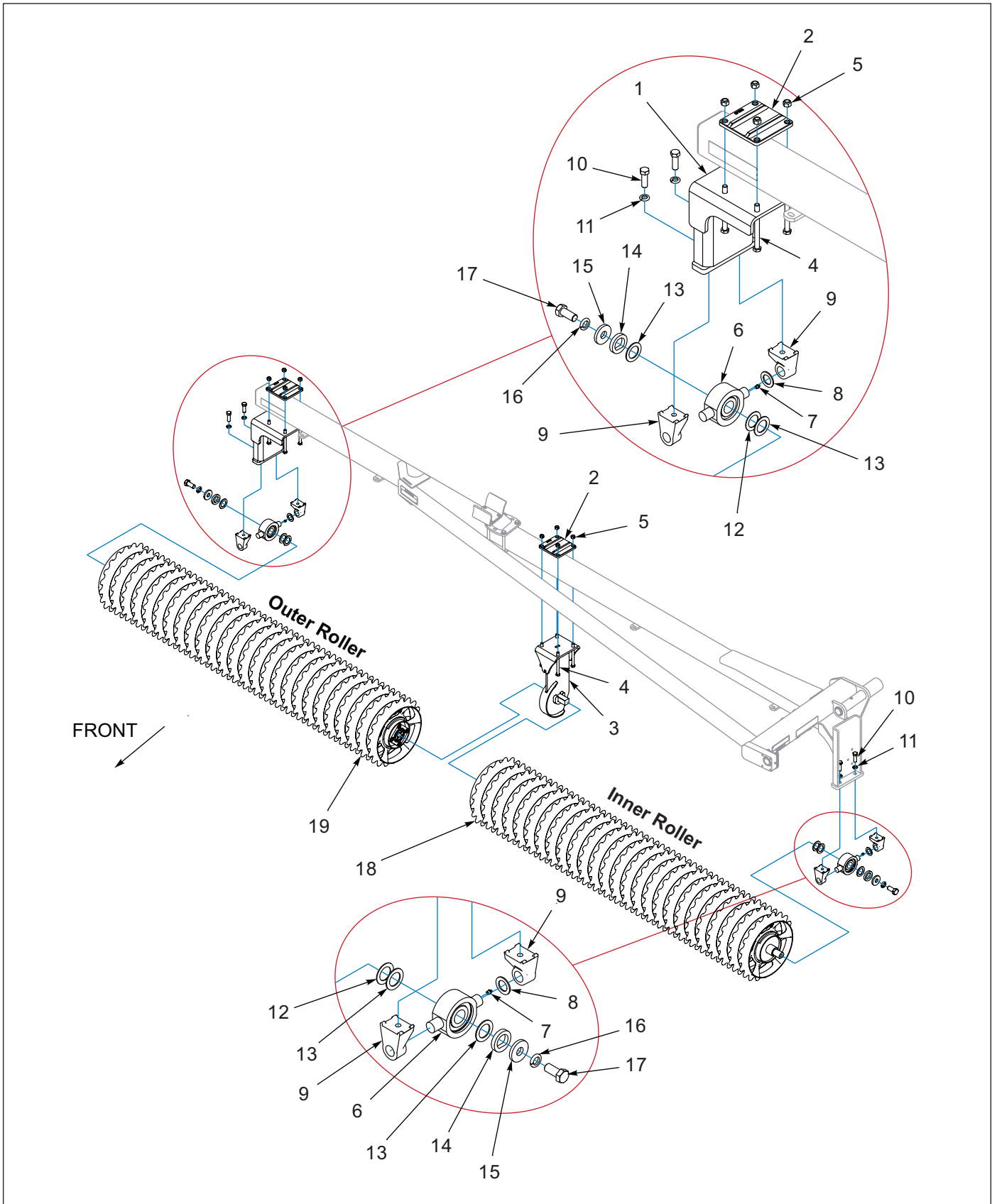


Figure 1-19: Wing Frame Rollers w/Welded Stubs, WFP50-52 (After 04/2021)

## Wing Frame Rollers w/Welded Stubs, WFP50-52 (After 04/2021)

ITEM	PART NUMBER	DESCRIPTION	QTY	
			50	52
<b>WFP MODEL NUMBERS</b>			<b>50</b>	<b>52</b>
1	173120	BOLT-ON BEARING HANGER	1	1
2	2P236	CLAMP, BRG HANGER	2	2
3	181305	HANGER, MID WING WFP, WLD	1	1
4	113064	SCREW, HX CP, 5/8-11UNC X 7, GR5	8	8
5	1-512-010005-13	NUT,HEX SLFLKG GRB 5/8-11	8	8
6	140477	BEARING, DISC 1.775 ID ASSY <b>(INCL. ITEM 7) (SEE PAGE 1-38)</b>	2	2
7	5000	ZERK FITTING 1/8NPT	2	2
8	140480	WASHER, TRUNNION	2	2
9	140479	MOUNT, TRUNNION BEARING	4	4
10	1-654-010061-06	SCREW, HXCP, 3/4-10UNC X 2-1/4, GR5	2	2
11	1-861-010034-17	WASHER, LKG, HLCL SPR, 3/4	2	2
12	171739	WASHER, SHIM 14GA, 1.79 ID	2	2
13	171738	WASHER, SHIM 11 GA, 1/79 ID	4	4
14	154186	WASHER, FLAT TOP	2	2
15	154185	WASHER, 3/8 THICK 1" ID	2	2
16	1-861-010034-21	WASHER, LKG HEL SPRG 1IN	2	2
17	137943	SCREW, HEX CAP 1-8UNC Z 2-1/4, GR5	2	2
18	234138	AXLE,104" NOTCH STUB/BRG <b>(INNER) (SEE PAGE 1-41)</b>	1	1
18	234141	AXLE,104" RH CROWFT STUB/BRG <b>(INNER) (SEE PAGE 1-47)</b>	1	1
18	234144	AXLE,104" LH CROWFT STUB/BRG <b>(INNER) (SEE PAGE 1-48)</b>	1	1
18	234147	AXLE,104" OPTIMIZER STUB/BRG <b>(INNER) (SEE PAGE 1-52)</b>	1	1
19	234137	AXLE,104" NOTCH STUB/BRG <b>(OUTER) (SEE PAGE 1-40)</b>	1	--
19	234139	AXLE,116" NOTCH STUB/BRG <b>(OUTER) (SEE PAGE 1-40)</b>	--	1
19	234140	AXLE,104" RH CROWFT STUB/BRG <b>(OUTER) (SEE PAGE 1-46)</b>	1	--
19	234142	AXLE,116" RH CROWFT STUB/BRG <b>(OUTER) (SEE PAGE 1-46)</b>	--	1
19	234143	AXLE,104" LH CROWFT STUB/BRG <b>(OUTER) (SEE PAGE 1-46)</b>	1	--
19	234145	AXLE,116" LH CROWFT STUB/BRG <b>(OUTER) (SEE PAGE 1-46)</b>	--	1
19	234146	AXLE,104" OPTIMIZER STUB/BRG <b>(OUTER) (SEE PAGE 1-51)</b>	1	--
19	234148	AXLE,116" OPTIMIZER STUB/BRG <b>(OUTER) (SEE PAGE 1-51)</b>	--	1

ILLUSTRATED PARTS LIST

Wing Frame Rollers w/Bolted Stubs, WFP50 (Before 04/2021)

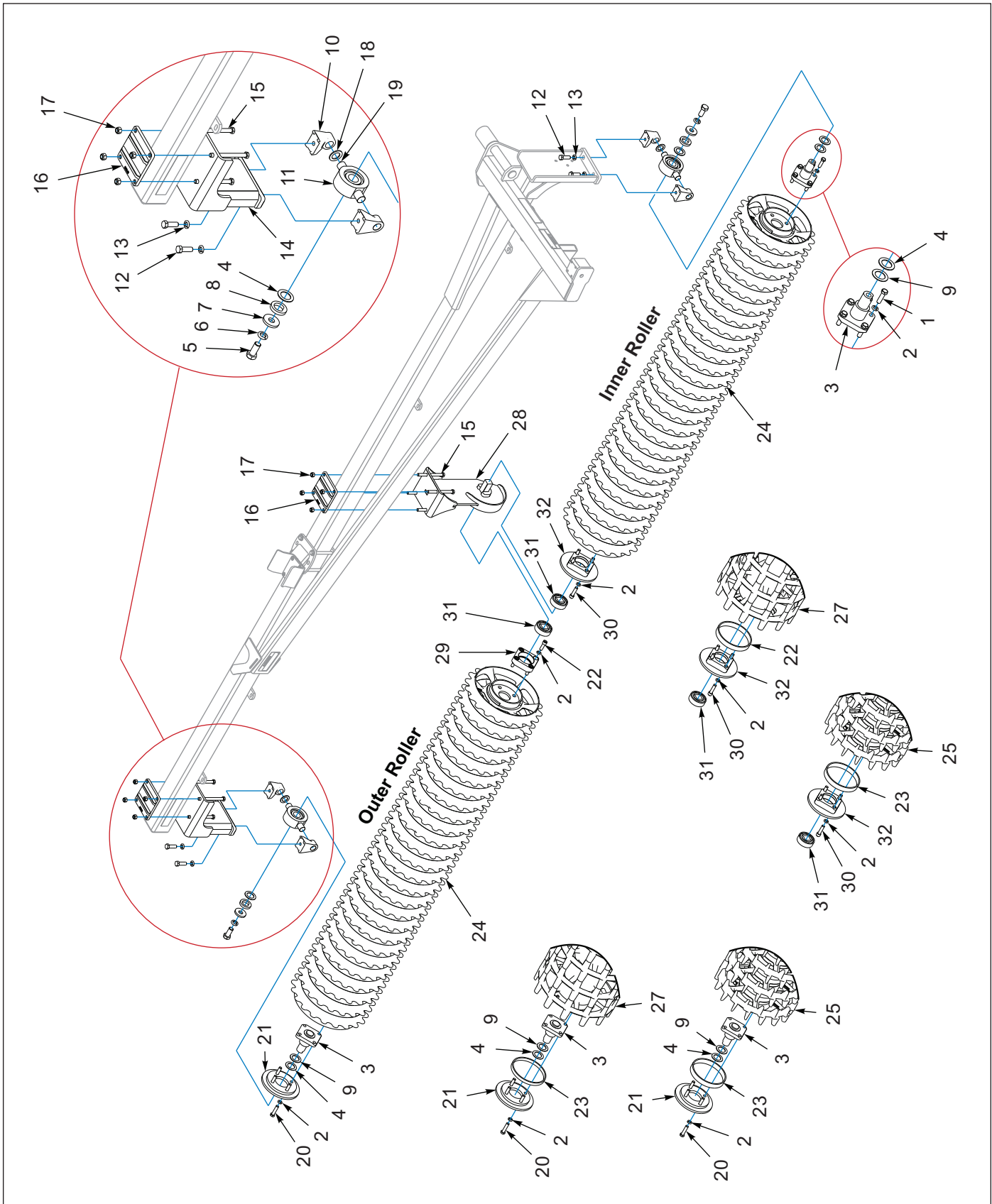


Figure 1-20: Wing Rollers w/Bolted Stubs, WFP50 (Before 04/2021)

## Wing Frame Rollers w/Bolted Stubs, WFP50 (Before 04/2021)

ITEM	PART NUMBER	DESCRIPTION	QTY
1	1-654-010059-06	SCREW, HEX CAP 5/8-11 X 2-1/4, G5	8
2	1-861-010034-15	WASHER, LKG, HLCL SPR, 5/8	16
3	173119	SHAFT-STUB, AXLE, WELDMENT	2
4	171738	WASHER, SHIM 11 GA, 1.79 ID	4
5	137943	SCREW, HEX CAP 1-8UNC X 2-1/4, GR5	2
6	1-861-010034-21	WASHER, LKG HEL SPRG 1IN	2
7	154185	WASHER, 3/8 THICK 1" ID	2
8	154186	WASHER, FLAT TOP	2
9	171739	WASHER, SHIM 14 GA, 1.79 ID	2
10	140479	MOUNT, TRUNNION BEARING	4
11	140477	BEARING, DISC 1.775 ID ASSY <b>(SEE PAGE 1-38)</b>	2
12	1-654-010061-06	SCREW, HXCP, 3/4-10UNC X 2-1/4, GR5	2
13	1-861-010034-17	WASHER, LKG, HLCL SPR, 3/4	2
14	173120	BOLT ON BEARING HANGER	1
15	113064	SCREW, HX CP, 5/8-11UNC X 7, GR5	8
16	2P236	CLAMP, BRG HANGER	2
17	1-512-010005-13	NUT, NY-LOK 5/8-11	8
18	140480	WASHER, TRUNNION	2
19	5000	ZERK FITTING 1/8NPT	2
20	1-654-010059-08	SCREW, HEX CAP 5/8-11 X 2-3/4, G5	8
21	179352	STOP, WHEEL, 1/4 WALL TUBE	2
22	181653	SCHS, 5/8-11 X 2, ZP	4
23	164675	TUBE RND 8.125 X 8.625 X 1.25	2
24	3P029	AXLE ASM, 8' X 8" TUBE (104") <b>(SEE PAGE 1-42)</b>	2
25	164724	AXLE ASM, 8' X 8" TUBE CROW (104") (RH) <b>(SEE PAGE 1-48)</b>	1
26	180495	AXLE 8' LH CROWFOOT (104") <b>(NOT SHOWN) (SEE PAGE 1-48)</b>	1
27	164713	AXLE ASM, 8' X 8" TUBE, OPT (104") <b>(SEE PAGE 1-53)</b>	2
28	181305	HANGER, MID WING WFP, WLD	1
29	175181	HUB, AXLE BRG	2
30	181654	SCHS, 5/8-11 X 2-1/2, ZP	4
31	3J246	SQ BORE BEARING	2
32	181280	HUB, BEARING W/WHEEL STOP	1

ILLUSTRATED PARTS LIST

Wing Frame Rollers w/Bolted Stubs, WFP52 (Before 04/2021)

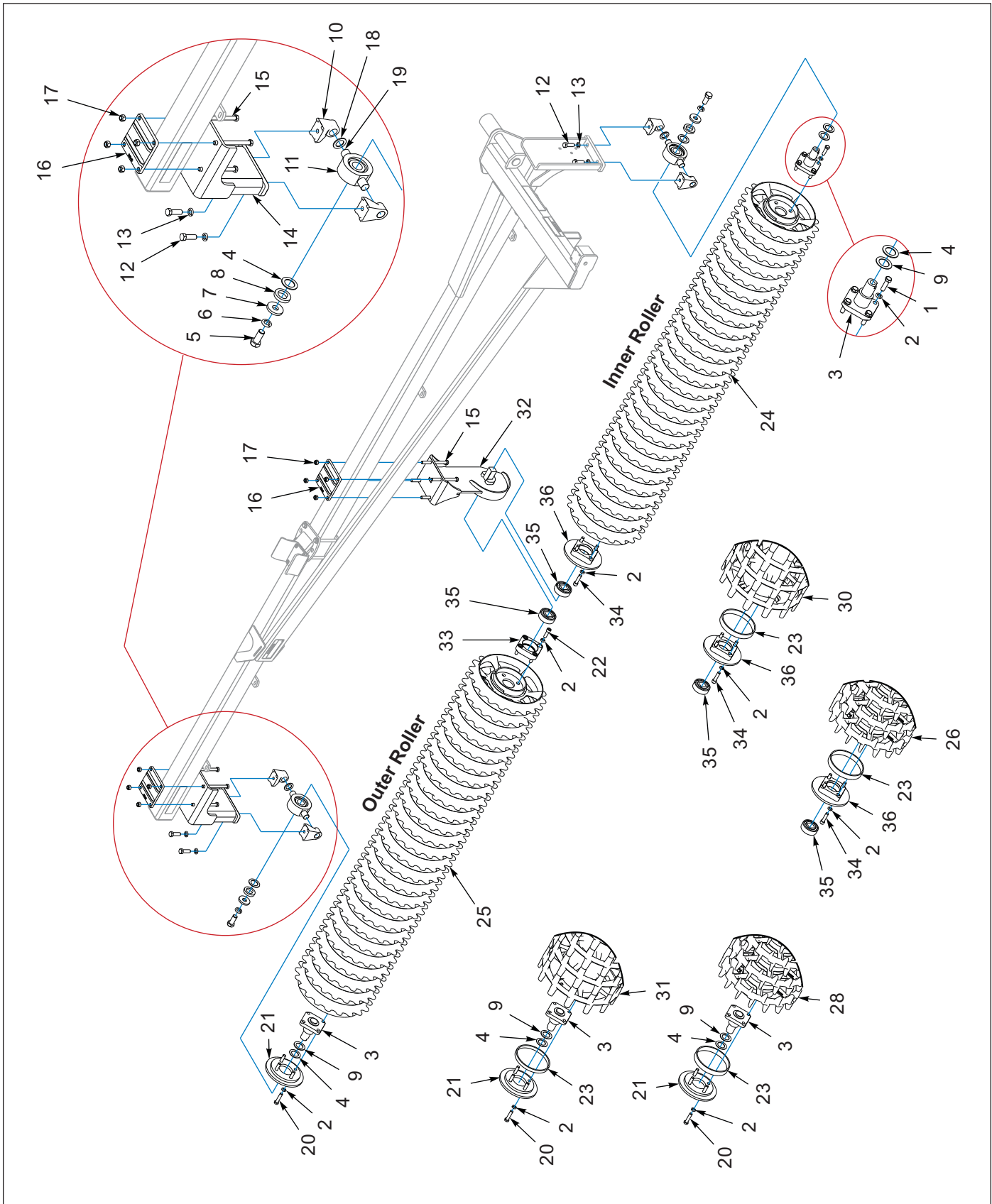


Figure 1-21: Wing Frame Roller w/Bolted Stubs, WFP52 (Before 04/2021)

## Wing Frame Roller w/Bolted Stubs, WFP52 (Before 04/2021)

ITEM	PART NUMBER	DESCRIPTION	QTY
1	1-654-010059-06	SCREW, HEX CAP 5/8-11 X 2-1/4, G5	8
2	1-861-010034-15	WASHER, LKG,HLCL SPR, 5/8	16
3	173119	SHAFT-STUB, AXLE, WELDMENT	2
4	171738	WASHER, SHIM 11 GA, 1.79 ID	4
5	137943	SCREW, HEX CAP 1-8UNC X 2-1/4, GR5	2
6	1-861-010034-21	WASHER, LKG HEL SPRG 1IN	2
7	154185	WASHER, 3/8 THICK 1" ID	2
8	154186	WASHER, FLAT TOP	2
9	171739	WASHER, SHIM 14 GA, 1.79 ID	2
10	140479	MOUNT, TRUNNION BEARING	4
11	140477	BEARING, DISC 1.775 ID ASSY <b>(SEE PAGE 1-38)</b>	2
12	1-654-010061-06	SCREW, HXCP, 3/4-10UNC X 2-1/4, GR5	2
13	1-861-010034-17	WASHER, LKG, HLCL SPR, 3/4	2
14	173120	BOLT ON BEARING HANGER	1
15	113064	SCREW HX CP, 5/8-11UNCX7, GR5	8
16	2P236	CLAMP, BRG HANGER	2
17	1-512-010005-13	NUT, NY-LOK 5/8-11	8
18	140480	WASHER, TRUNNION	2
19	5000	ZERK FITTING 1/8NPT	2
20	1-654-010059-08	SCREW, HEX CAP 5/8-11 X 2-3/4, G5	8
21	179352	STOP, WHEEL, 1/4 WALL TUBE	2
22	181653	SCHS, 5/8-11 X 2, ZP	4
23	164675	TUBE RND 8.125 X 8.625 X 1.25	2
24	3P029	AXLE ASM, 8' X 8" TUBE (104") <b>(SEE PAGE 1-42)</b>	1
25	3P030	AXLE ASM, 9' X 8" TUBE (116") <b>(SEE PAGE 1-42)</b>	1
26	164724	AXLE ASM, 8' X 8" TUBE CROW (104") (RH) <b>(SEE PAGE 1-48)</b>	1
27	180495	AXLE 8' LH CROWFOOT (104") <b>(NOT SHOWN) (SEE PAGE 1-48)</b>	1
28	164725	AXLE ASM, 9' X 8" TUBE CROW (116") (RH) <b>(SEE PAGE 1-48)</b>	1
29	180496	AXLE 9' LH CROWFOOT (116") <b>(NOT SHOWN) (SEE PAGE 1-48)</b>	1
30	164713	AXLE ASM, 8' X 8" TUBE, OPT (104") <b>(SEE PAGE 1-53)</b>	2
31	164714	AXLE ASM, 9' X 8" TUBE, OPT (116") <b>(SEE PAGE 1-53)</b>	2
32	181305	HANGER, MID WING WFP, WLD	1
33	175181	HUB, AXLE BRG	2
34	181654	SCHS, 5/8-11 X 2-1/2, ZP	4
35	3J246	SQ BORE BEARING	2
36	181280	HUB, BEARING W/WHEEL STOP	1

# V-Wheel Wing Roller Mounting Hardware, WFP50-52

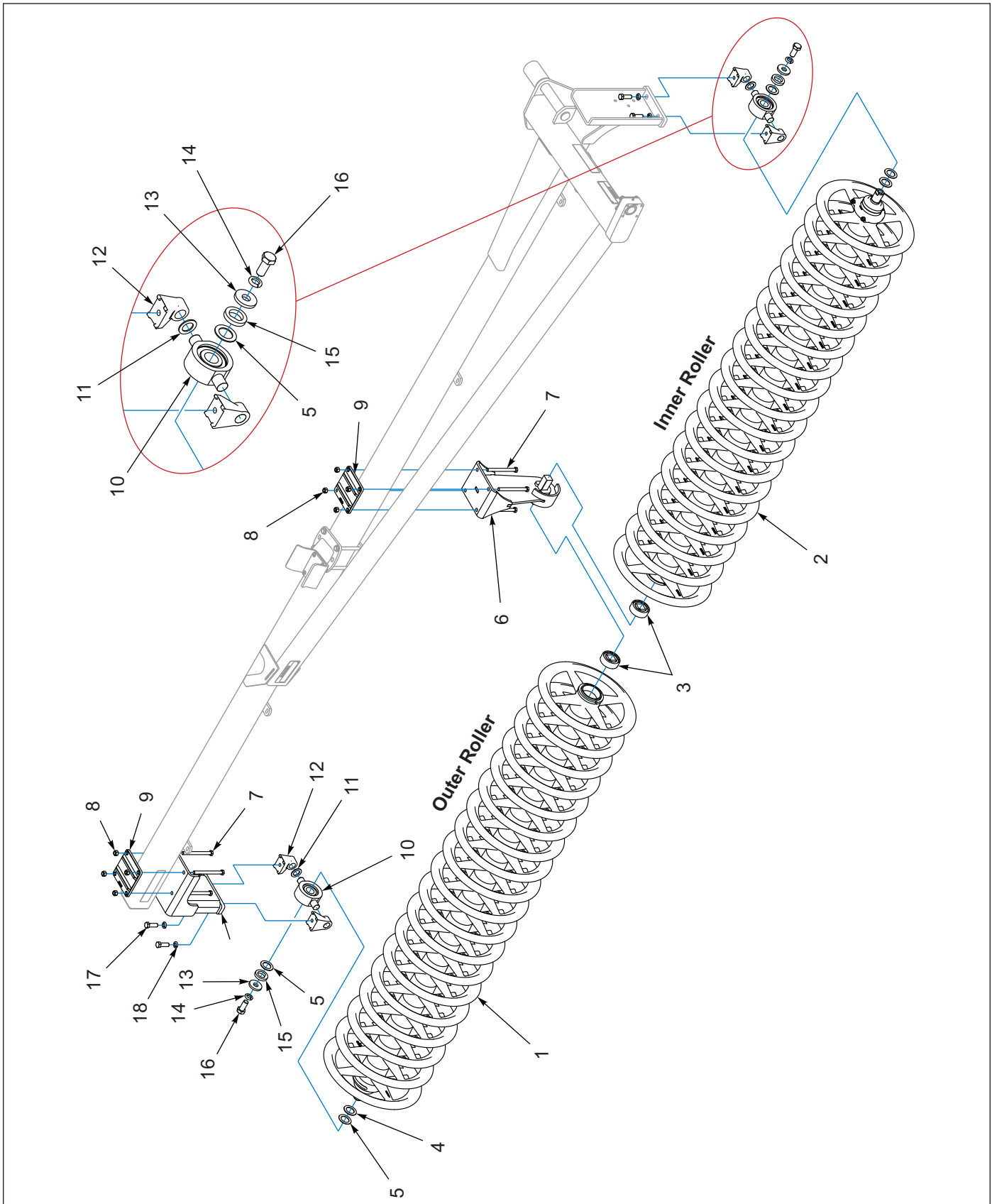


Figure 1-22: V-Wheel Wing Roller Mounting Hardware, WFP50-52



## V-Wheel Wing Roller Mounting Hardware, WFP50-52

ITEM	PART NUMBER	DESCRIPTION	QTY
1	208566	AXLE ASM, V-WHL STUB/BRG 8.5FT (WFP50) (INCLUDES ITEM 3) (SEE PAGE 1-55)	1
1	208568	AXLE ASM, V-WHL STUB/BRG 9.5FT (WFP52) (INCLUDES ITEM 3) (SEE PAGE 1-55)	1
2	208567	AXLE ASM, V-WHL STUB/BRG 9FT (WFP50-52) (INCLUDES ITEM 3) (SEE PAGE 1-55)	1
3	3J246	SQ BORE BEARING	2
4	171739	WASHER, SHIM 14 GA, 1.79 ID	2
5	171738	WASHER, SHIM 11 GA, 1.79 ID	4
6	208563	PLATE CTR BRG HANGER	1
7	113064	SCREW. HX CP, 5/8-11UNC X 7, GR5	8
8	1-512-010005-13	NUT, NY-LOK 5/8-11	8
9	2P236	CLAMP, BRG HANGER	2
10	140477	BEARING, DISC 1.775 ID ASSY (SEE PAGE 1-38)	2
11	140480	WASHER, TRUNNION	2
12	140479	MOUNT, TRUNNION BEARING	4
13	154185	WASHER, 3/8 THICK 1" ID	2
14	1-861-010034-21	WASHER, LKG HEL SPRG 1IN	2
15	154186	WASHER, FLAT TOP	2
16	137943	SCREW, HEX CAP 1-8UNC X 2-1/4, GR5	2
17	1-654-010061-06	SCREW, HXCP, 3/4-10UNC X 2-1/4, GR5	2
18	1-861-010034-17	WASHER, LKG, HLCL SPR, 3/4	2

# Disc Bearing Assembly

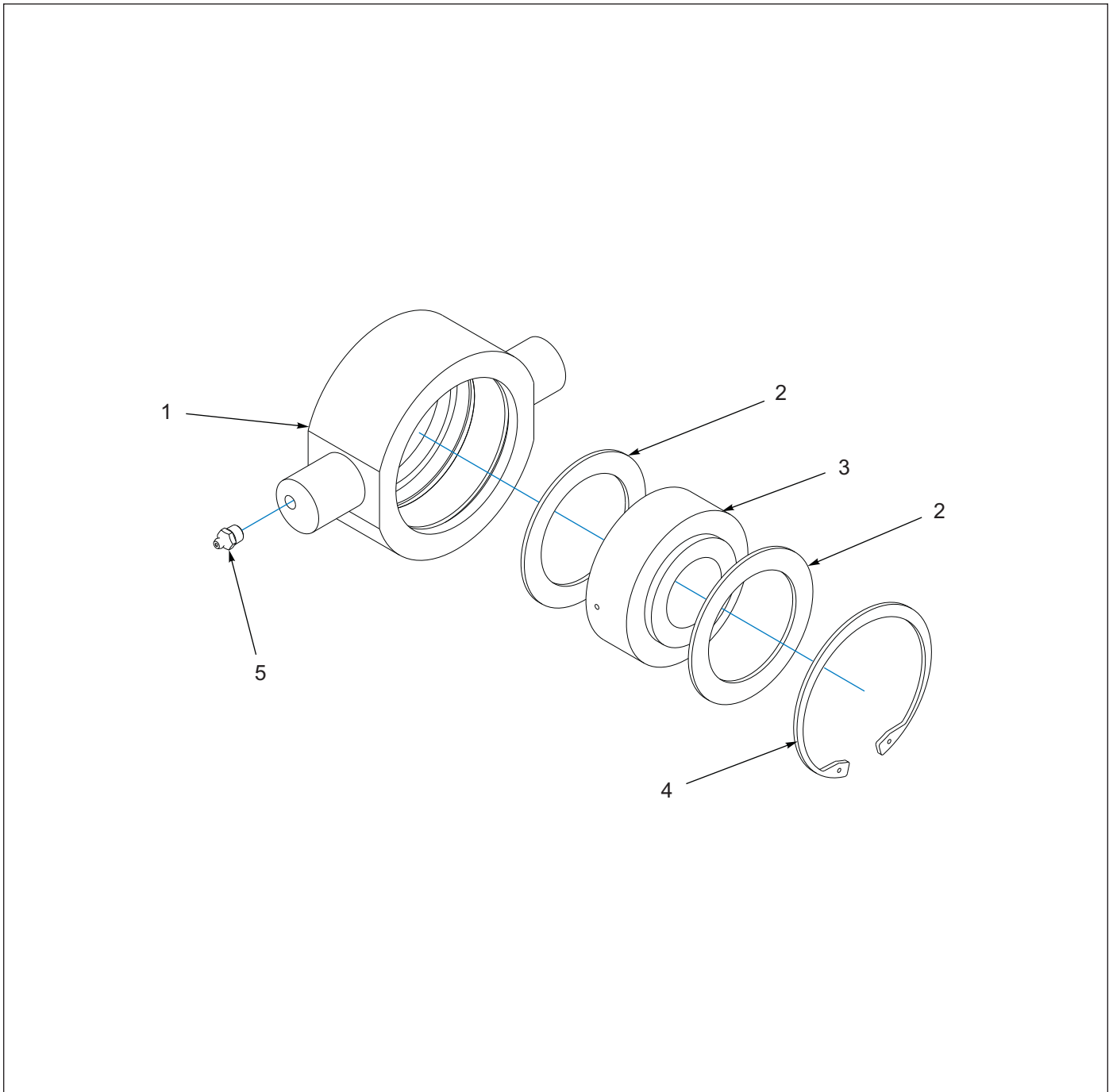


Figure 1-23: Disc Bearing Assembly

## Disc Bearing Assembly

ITEM	PART NUMBER	DESCRIPTION	QTY
	140477	BEARING, DISC 1.775 ID ASSY	1
1	140475	CASTING, TRUNNION BEARING	1
2	140473	WASHER, BEARING	2
3	140464	BEARING, DISC 1.775 ID	1
4	140476	INTERNAL RETAINING RING	1
5	5000	ZERK FITTING 1/8NPT	1

**Notched Ductile Axle w/Welded Stubs, WFP38-46 (After 04/2021)**

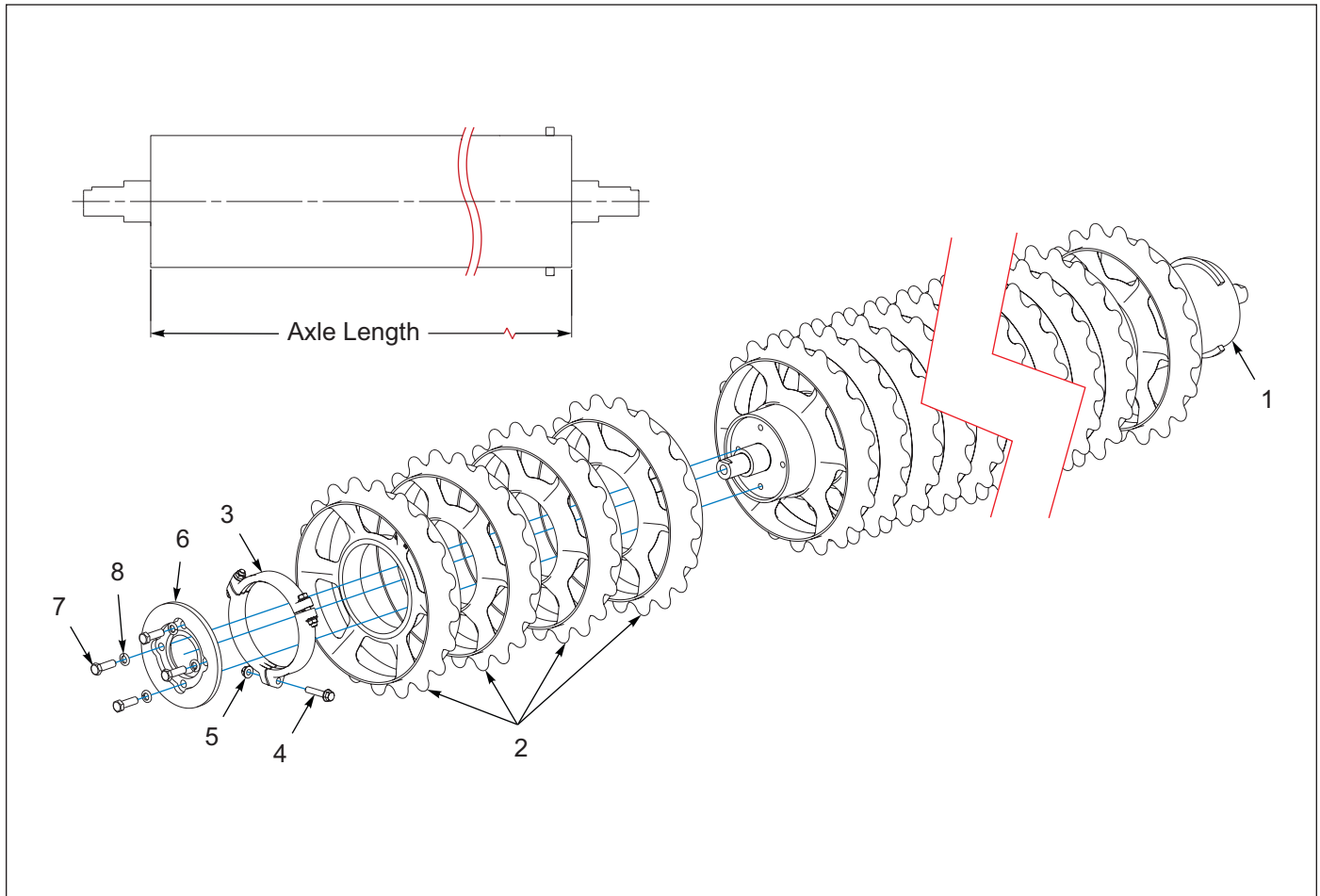


Figure 1-24: Notched Ductile Axle w/Welded Stubs, WFP38-46 (After 04/2021)

**Notched Ductile Axle w/Welded Stubs, WFP38-46 (After 04/2021)**

ITEM	PART NUMBER	DESCRIPTION	QTY				
			140"	152"	164"	176"	188"
		<b>AXLE LENGTH</b>	<b>140"</b>	<b>152"</b>	<b>164"</b>	<b>176"</b>	<b>188"</b>
	231059	ROLLER ASM, 140" NOTCHED	1	--	--	--	--
	231060	ROLLER ASM, 152" NOTCHED	--	1	--	--	--
	234125	AXLE ASM,164" NOTCHED	--	--	1	--	--
	234126	AXLE ASM,176" NOTCHED	--	--	--	1	--
	234127	AXLE ASM,188" NOTCHED	--	--	--	--	1
1	231051	AXLE WLD, 140" W/STUB SHAFTS	1	--	--	--	--
1	231052	AXLE WLD, 152" W/STUB SHAFTS	--	1	--	--	--
1	234122	AXLE WLD,164" W/STUB SHAFTS	--	--	1	--	--
1	234123	AXLE WLD,176" W/STUB SHAFTS	--	--	--	1	--
1	234124	AXLE WLD,188" W/STUB SHAFTS	--	--	--	--	1
2	2P800	WHEEL,20 X8 1/8 BORE(7007319)	35	28	41	44	47
3	3P052	CLAMP, AXLE	3	3	3	3	3
4	172896	SCREW FLG HD 1/2-13X2-1/2 GR8	3	3	3	3	3
5	172509	NUT,1/2-13 WIDE FLNG TOP LCK F	3	3	3	3	3
6	191396	STOP,WHEEL WLDMT	1	1	1	1	1
7	1-654-010059-05	SCREW,HEX CAP,5/8-11UNCX2 GR5	4	4	4	4	4
8	1-861-010034-15	WASHER,LKG,HLCL SPR,5/8	4	4	4	4	4

ILLUSTRATED PARTS LIST

Notched Ductile Outer Axle w/Welded Stubs, WFP50-52 (After 04/2021)

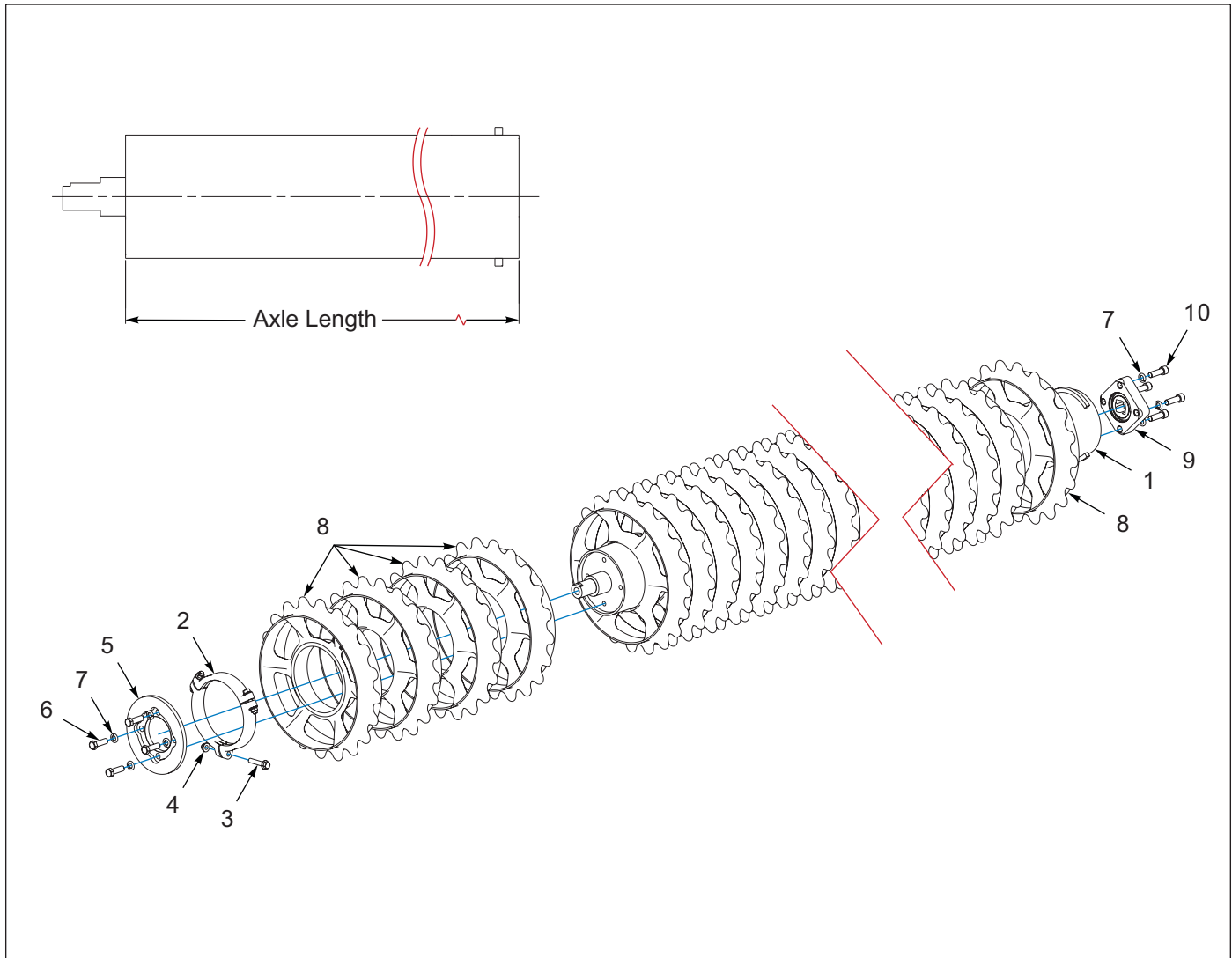
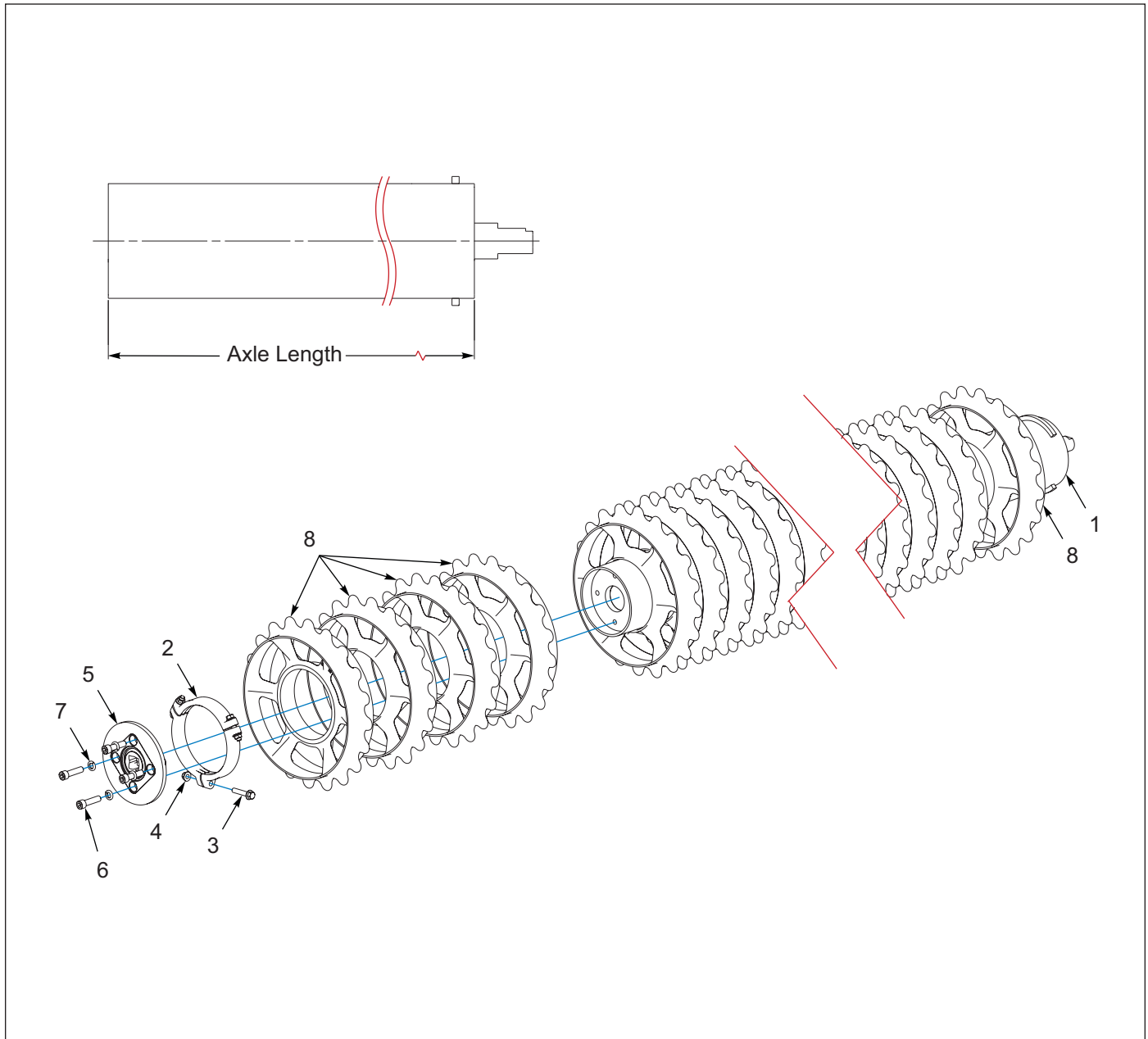


Figure 1-25: Notched Ductile Outer Axle w/Welded Stubs, WFP50-52 (After 04/2021)

Notched Ductile Outer Axle w/Welded Stubs, WFP50-52 (After 04/2021)

ITEM	PART NUMBER	DESCRIPTION	QTY	
		<b>AXLE LENGTH</b>	<b>104"</b>	<b>116"</b>
	234137	AXLE,104" NOTCH STUB/BRG	1	--
	234139	AXLE,116" NOTCH STUB/BRG	--	1
1	234119	AXLE WLD,104" STUB/BRG	1	--
1	234121	AXLE WLD,116" STUB/BRG	--	1
2	3P052	CASTING,CLAMP AXLE	3	3
3	172896	SCREW FLG HD 1/2-13X2-1/2 GR8	3	3
4	172509	NUT,1/2-13 WIDE GLNG TOP LCK F	3	3
5	191396	STOP, WHEEL WLDMT	1	1
6	1-654-010059-05	SCREW,HEX CAP,5/8-11UNCX2 GR5	4	4
7	1-861-010034-15	WASHER,LKG,HLCL SPR,5/8	8	8
8	2P800	WHEEL,20 X 8 1/8BORE(7007319)	26	29
9	181285	HUB ASSM, 1-1/2 SQ BRG (SEE PAGE 1-57)	1	1
10	181653	SCHS, 5/8-11 X 2, ZP	4	4

**Notched Ductile Inner Axle w/Welded Stubs, WFP50-52 (After 04/2021)**



**Figure 1-26: Notched Ductile Inner Axle, w/Welded Stubs, WFP50-52 (After 04/2021)**

**Notched Ductile Inner Axle, w/Welded Stubs, WFP50-52 (After 04/2021)**

ITEM	PART NUMBER	DESCRIPTION	QTY
	234138	AXLE,104" NOTCH STUB/BRG	1
1	234120	AXLE WLD,104" STUB/BRG	1
2	3P052	CASTING,CLAMP AXLE	3
3	172896	SCREW FLG HD 1/2-13X2-1/2 GR8	3
4	172509	NUT,1/2-13 WIDE GLNG TOP LCK F	3
5	181286	HUB ASSM, 1-1/2 SQ BRG W/STOP (SEE PAGE 1-57)	1
6	181654	SCHS, 5/8-11 X 2-1/2, ZP	4
7	1-861-010034-15	WASHER,LKG,HLCL SPR,5/8	4
8	2P800	WHEEL,20 X 8 1/8BORE(7007319)	26

ILLUSTRATED PARTS LIST

Notched Ductile Axle w/Bolted Stubs, WFP38-52 (Before 04/2021)

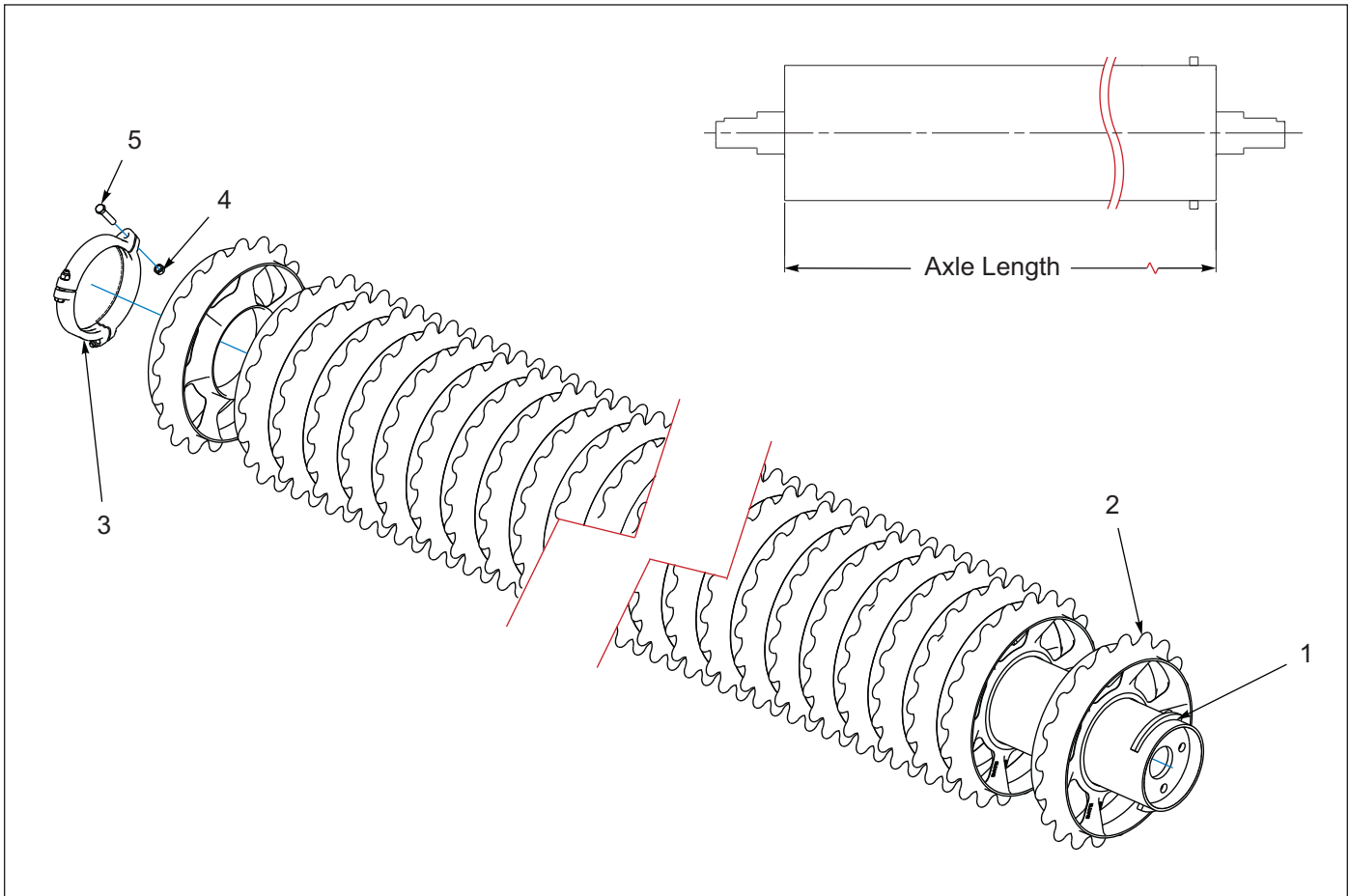


Figure 1-27: Notched Ductile Axle w/Bolted Stubs, WFP38-52 (Before 04/2021)

Notched Ductile Axle w/Bolted Stubs, WFP38-52 (Before 04/2021)

ITEM	PART NUMBER	DESCRIPTION	QTY							
			104"	116"	140"	152"	164"	176"	188"	
		<b>AXLE LENGTH</b>	<b>104"</b>	<b>116"</b>	<b>140"</b>	<b>152"</b>	<b>164"</b>	<b>176"</b>	<b>188"</b>	
	3P029	AXLE ASM, 8' X 8" TUBE	1	--	--	--	--	--	--	
	3P030	AXLE ASM, 9' X 8" TUBE	--	1	--	--	--	--	--	
	3P032	AXLE ASM, 11' X 8" TUBE	--	--	1	--	--	--	--	
	3P033	AXLE ASM, 12' X 8" TUBE	--	--	--	1	--	--	--	
	164653	AXLE ASM, 13' NOTCHED DUCTILE	--	--	--	--	1	--	--	
	164654	AXLE ASM, 14' NOTCHED DUCTILE	--	--	--	--	--	1	--	
	164655	AXLE ASM, 15' NOTCHED DUCTILE	--	--	--	--	--	--	1	
1	3P037	AXLE WLD, 8' X 8" TUBE (104")	1	--	--	--	--	--	--	
1	3P038	AXLE WLD, 9' X 8" TUBE (116")	--	1	--	--	--	--	--	
1	3P040	AXLE WLD, 11' X 8" TUBE (140")	--	--	1	--	--	--	--	
1	3P041	AXLE WLD, 12' X 8" TUBE (152")	--	--	--	1	--	--	--	
1	164656	AXLE, WLD 13' X 8" TUBE (164")	--	--	--	--	1	--	--	
1	164657	AXLE, WLD 14' X 8" TUBE (176")	--	--	--	--	--	1	--	
1	164658	AXLE, WLD 15' X 8" TUBE (188")	--	--	--	--	--	--	1	
2	2P800	WHEEL, 20 X 8 1/8 BORE (7007319)	26	29	35	38	41	44	47	
3	3P052	CLAMP, AXLE	3	3	3	3	3	3	3	
4	1-512-010005-09	NUT, HEX, SLFLKG, 1/2-13 GRB	3	3	3	3	3	3	3	
5	1-654-010055-07	SCREW, HX CP, 1/2-13UNC X 2-1/2	3	3	3	3	3	3	3	



Crowfoot Axle w/Welded Stubs WFP38-46 (After 04/2021)

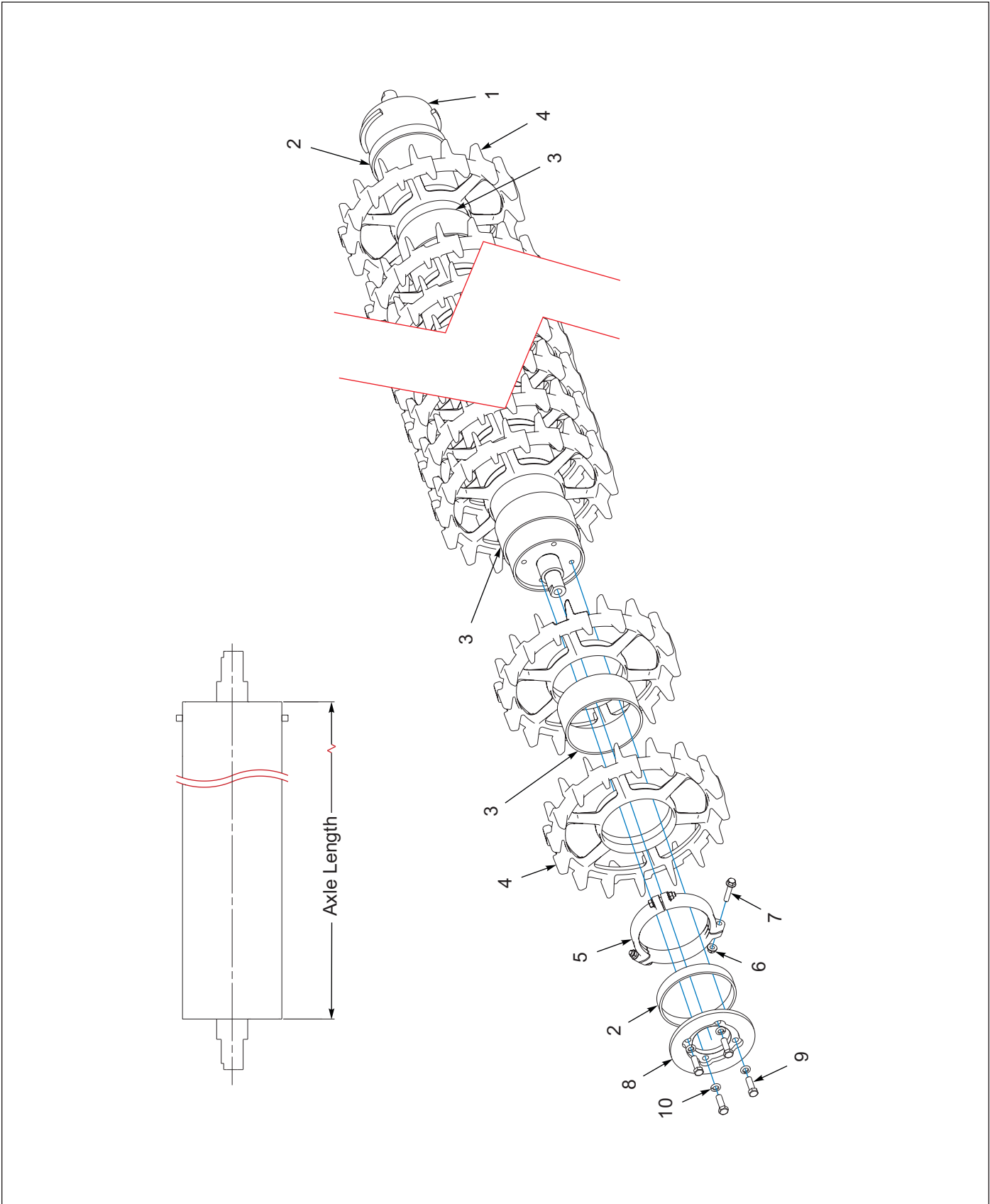


Figure 1-28: Crowfoot Axle w/Welded Stubs, WFP38-46 (After 04/2021)



## Crowfoot Axle w/Welded Stubs, WFP38-46 (After 04/2021)

ITEM	PART NUMBER	DESCRIPTION	QTY				
			140"	152"	164"	176"	188"
		<b>AXLE LENGTH</b>	<b>140"</b>	<b>152"</b>	<b>164"</b>	<b>176"</b>	<b>188"</b>
	231067	ROLLER ASM, 140" RH CROWFOOT	1	--	--	--	--
	231075	ROLLER ASM, 140" LH CROWFOOT	1	--	--	--	--
	231068	ROLLER ASM, 152" RH CROWFOOT	--	1	--	--	--
	231076	ROLLER ASM, 152" LH CROWFOOT	--	1	--	--	--
	234128	AXLE ASM,164" RH CROWFOOT	--	--	1	--	--
	234131	AXLE ASM,164" LH CROWFOOT	--	--	1	--	--
	234129	AXLE ASM,176" RH CROWFOOT	--	--	--	1	--
	234132	AXLE ASM,176" LH CROWFOOT	--	--	--	1	--
	234130	AXLE ASM,188" RH CROWFOOT	--	--	--	--	1
	234133	AXLE ASM,188" LH CROWFOOT	--	--	--	--	1
1	231051	AXLE WLD, 140" W/STUB SHAFTS	1	--	--	--	--
1	231052	AXLE WLD, 152" W/STUB SHAFTS	--	1	--	--	--
1	234122	AXLE WLD,164" W/STUB SHAFTS	--	--	1	--	--
1	234123	AXLE WLD,176" W/STUB SHAFTS	--	--	--	1	--
1	234124	AXLE WLD,188" W/STUB SHAFTS	--	--	--	--	1
2	164675	TUBE RD 8.125X8.625X1.25	2	2	2	2	2
3	164676	TUBE RD 8.125X8.625X3.75	22	24	26	28	30
4	164639	WHEEL, CROW FOOT, 20"X8" BORE	23	25	27	29	31
5	3P052	CASTING, CLAMP, AXLE	3	3	3	3	3
6	172509	NUT,1/2-13 WIDE FLNG TOP LCK F	3	3	3	3	3
7	172896	SCREW FLG HD 1/2-13X2-1/2 GR8	3	3	3	3	3
8	191396	STOP, WHEEL WHLDMT	1	1	1	1	1
9	1-654-010059-05	SCREW,HEX CAP,5/8-11UNCX2 GR5	4	4	4	4	4
10	1-861-010034-15	WASHER,LKG,HLCL SPR,5/8	4	4	4	4	4

ILLUSTRATED PARTS LIST

**Crowfoot Outer Axle, w/Welded Stubs, WFP50-52 (After 04/2021)**

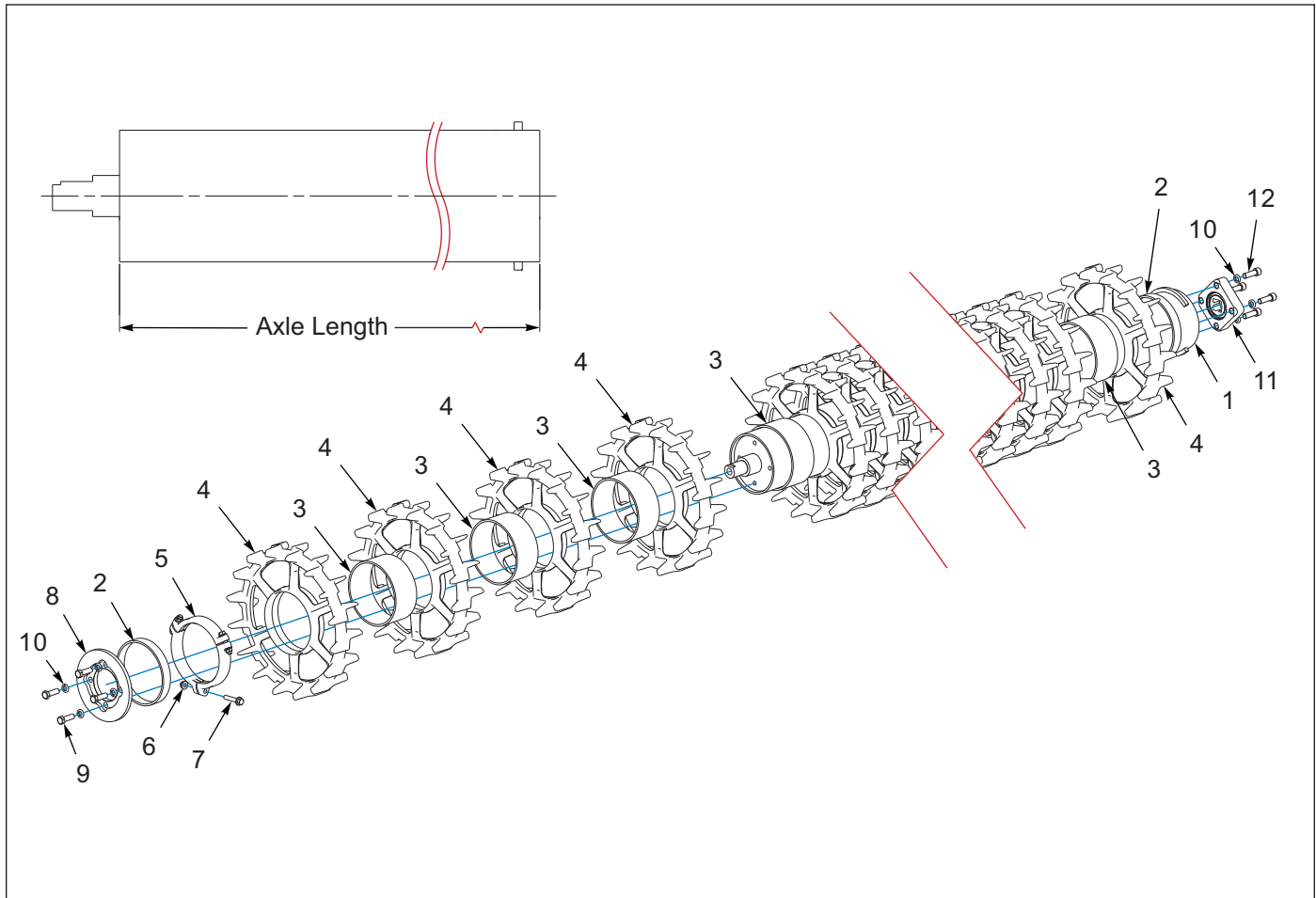


Figure 1-29: Crowfoot Outer Axle, w/Welded Stubs, WFP50-52 (After 04/2021)

**Crowfoot Outer Axle, w/Welded Stubs, WFP50-52 (After 04/2021)**

ITEM	PART NUMBER	DESCRIPTION	QTY	
			104"	116"
		<b>AXLE LENGTH</b>	<b>104"</b>	<b>116"</b>
	234140	AXLE,104" RH CROWFT STUB/BRG	1	--
	234143	AXLE,104" LH CROWFT STUB/BRG	1	--
	234142	AXLE,116" RH CROWFT STUB/BRG	--	1
	234145	AXLE,116" LH CROWFT STUB/BRG	--	1
1	234119	AXLE WLD,104" STUB/BRG	1	--
1	234121	AXLE WLD,116" STUB/BRG	--	1
2	164675	TUBE RD 8.125X8.625X1.25	2	2
3	164676	TUBE RD 8.125X8.625X3.75	16	18
4	164639	WHEEL, CROW FOOT, 20"X8" BORE	17	19
5	3P052	CLAMP, AXLE	3	3
6	172509	NUT,1/2-13 WIDE FLNG TOP LCK F	3	3
7	172896	SCREW FLG HD 1/2-13X2-1/2 GR8	3	3
8	191396	STOP, WHEEL WLDMT	1	1
9	1-654-010059-05	SCREW,HEX CAP,5/8-11UNCX2 GR5	4	4
10	1-861-010034-15	WASHER,LK,HLCL SPR, 5/8	8	8
11	181285	HUB ASSM, 1-1/2 SQ BRG ( <b>SEE PAGE 1-57</b> )	1	1
12	181653	SCHS, 5/8-11 X 2, ZP	4	4

**Crowfoot Inner Axle, w/Welded Stubs, WFP50-52 (After 04/2021)**

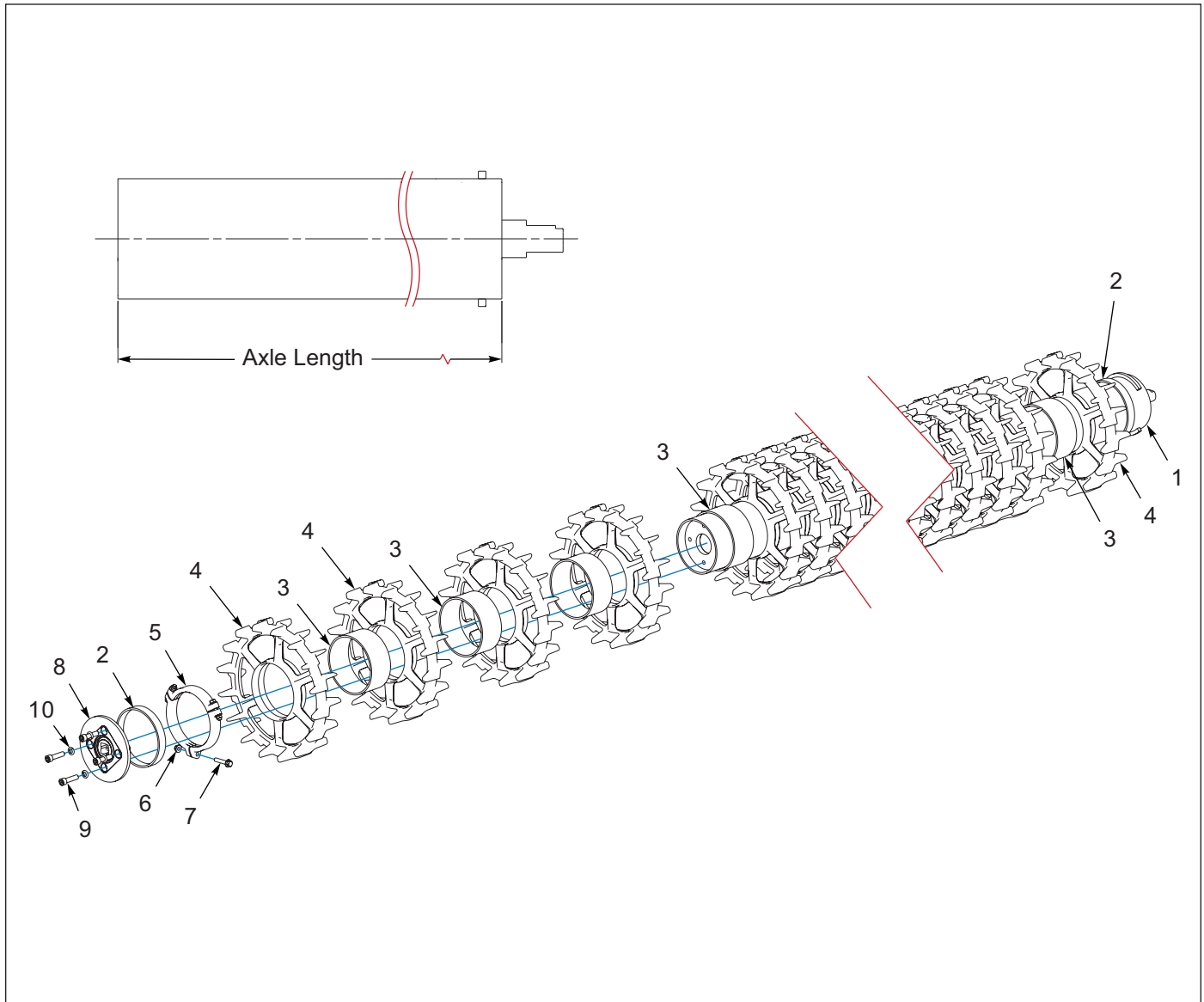


Figure 1-30: Crowfoot Inner Axle, w/Welded Stubs, WFP50-52 (After 04/2021)

**Crowfoot Inner Axle, w/Welded Stubs, WFP50-52 (After 04/2021)**

ITEM	PART NUMBER	DESCRIPTION	QTY
	234141	AXLE,104" RH CROWFT STUB/BRG	1
	234144	AXLE,104" LH CROWFT STUB/BRG	1
1	234120	AXLE WLD,104" STUB/BRG	1
2	164675	TUBE RD 8.125X8.625X1.25	2
3	164676	TUBE RD 8.125X8.625X3.75	16
4	164639	WHEEL, CROW FOOT, 20"X8" BORE	17
5	3P052	CLAMP, AXLE	3
6	172509	NUT,1/2-13 WIDE FLNG TOP LCK F	3
7	172896	SCREW FLG HD 1/2-13X2-1/2 GR8	3
8	181286	HUB ASSM, 1-1/2 SQ BRG W/STOP (SEE PAGE 1-57)	1
9	181654	SCHS, 5/8-11 X 2-1/2, ZP	4
10	1-861-010034-15	WASHER,LK,HLCL SPR, 5/8	4

Crowfoot Axle w/Bolted Stubs, WFP38-52 (Before 04/2021)

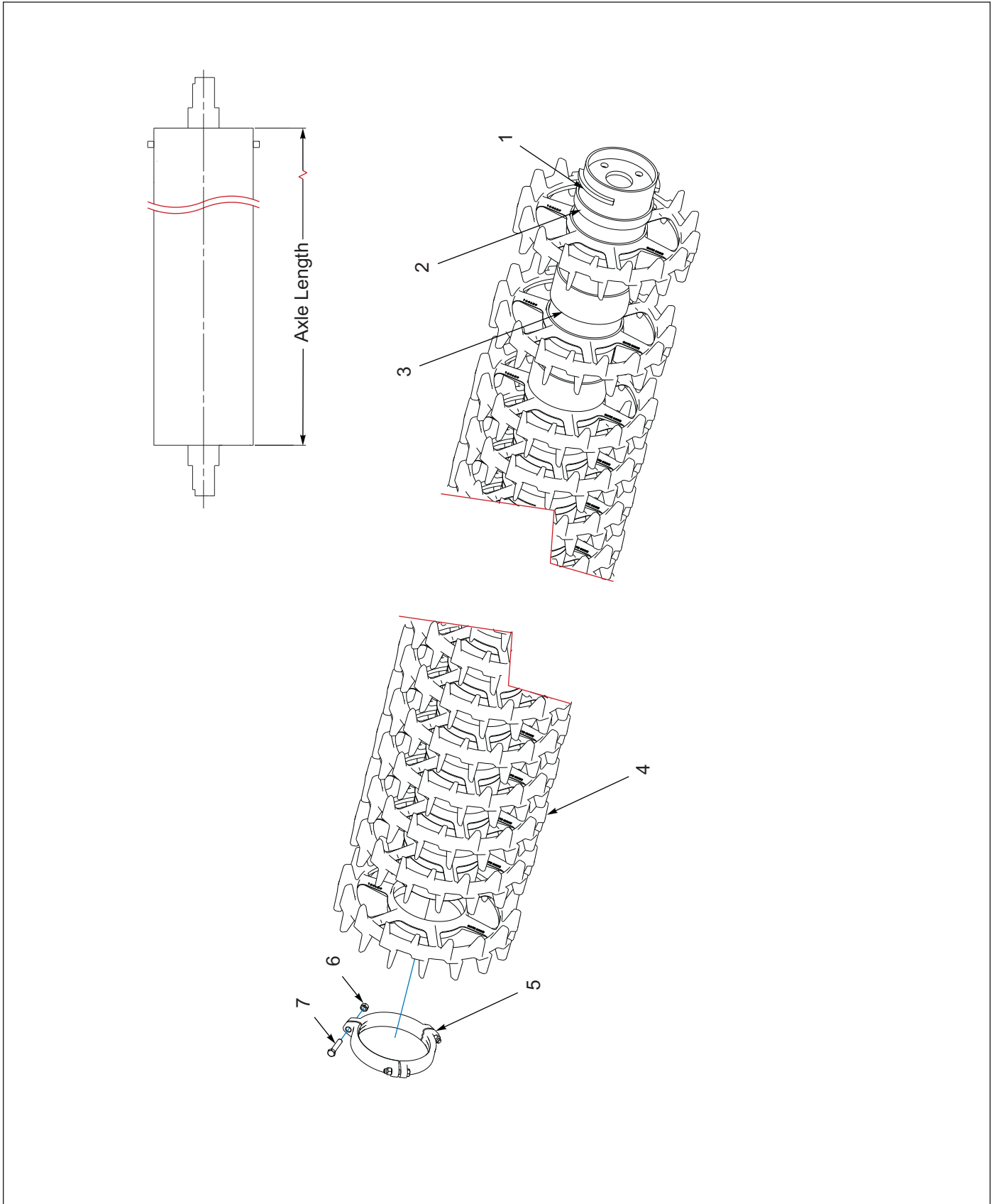


Figure 1-31: Crowfoot Axle w/Bolted Stubs, WFP38-52 (Before 04/2021)

## Crowfoot Axle w/Bolted Stubs, WFP38-52 (Before 04/2021)

ITEM	PART NUMBER	DESCRIPTION	QTY						
			104"	116"	140"	152"	164"	176"	188"
		<b>AXLE LENGTH</b>	<b>104"</b>	<b>116"</b>	<b>140"</b>	<b>152"</b>	<b>164"</b>	<b>176"</b>	<b>188"</b>
	164724	AXLE ASM, 8' X 8" TUBE CROW (RH)	1	--	--	--	--	--	--
	180495	AXLE 8' LH CROWFOOT (LH)	1	--	--	--	--	--	--
	164725	AXLE ASM, 9' X 8" TUBE CROW (RH)	--	1	--	--	--	--	--
	180496	AXLE 9' LH CROWFOOT (LH)	--	1	--	--	--	--	--
	164727	AXLE ASM, 11' X 8" TUBE, CROW (RH)	--	--	1	--	--	--	--
	180498	AXLE, 11' LH CROWFOOT (LH)	--	--	1	--	--	--	--
	164728	AXLE ASM, 12' X 8" TUBE, CROW (RH)	--	--	--	1	--	--	--
	180499	AXLE, 12' LH CROWFOOT (LH)	--	--	--	1	--	--	--
	164729	AXLE ASM, 13' X 8" CROWFOOT (RH)	--	--	--	--	1	--	--
	180500	AXLE ASSY 13' LH CROWFOOT (LH)	--	--	--	--	1	--	--
	164730	AXLE ASM, 14' X 8" CROWFOOT (RH)	--	--	--	--	--	1	--
	180501	AXLE, 14' LH CROWFOOT (LH)	--	--	--	--	--	1	--
	164731	AXLE ASM, 15' X 8" CROWFOOT (RH)	--	--	--	--	--	--	1
	180502	AXLE ASSY, 15' LH CROWFOOT (LH)	--	--	--	--	--	--	1
1	3P037	AXLE WLD, 8' X 8" TUBE (104")	1	--	--	--	--	--	--
1	3P038	AXLE WLD, 9' X 8" TUBE (116")	--	1	--	--	--	--	--
1	3P040	AXLE WLD, 11' X 8" TUBE (140")	--	--	1	--	--	--	--
1	3P041	AXLE WLD, 12' X 8" TUBE (152")	--	--	--	1	--	--	--
1	164656	AXLE WLD, 13' X 8" TUBE(164")	--	--	--	--	1	--	--
1	164657	AXLE WLD, 14' X 8" TUBE (176")	--	--	--	--	--	1	--
1	164658	AXLE WLD, 15' X 8" TUBE (188")	--	--	--	--	--	--	1
2	164675	TUBE RND 8.125 X 8.625 X 1.25	1	1	1	1	1	1	1
3	164676	TUBE RND 8.125 X 8.625 X 3.75	16	18	22	24	26	28	30
4	164639	WHEEL, CROWFOOT, 20" X 8" BORE	17	19	23	25	27	29	31
5	3P052	CLAMP, AXLE	3	3	3	3	3	3	3
6	1-512-010005-09	NUT, HEX, SLFLKG, 1/2-13 GRB	3	3	3	3	3	3	3

ILLUSTRATED PARTS LIST

Optimizer Axle w/Welded Stubs, WFP38-46 (After 04/2021)

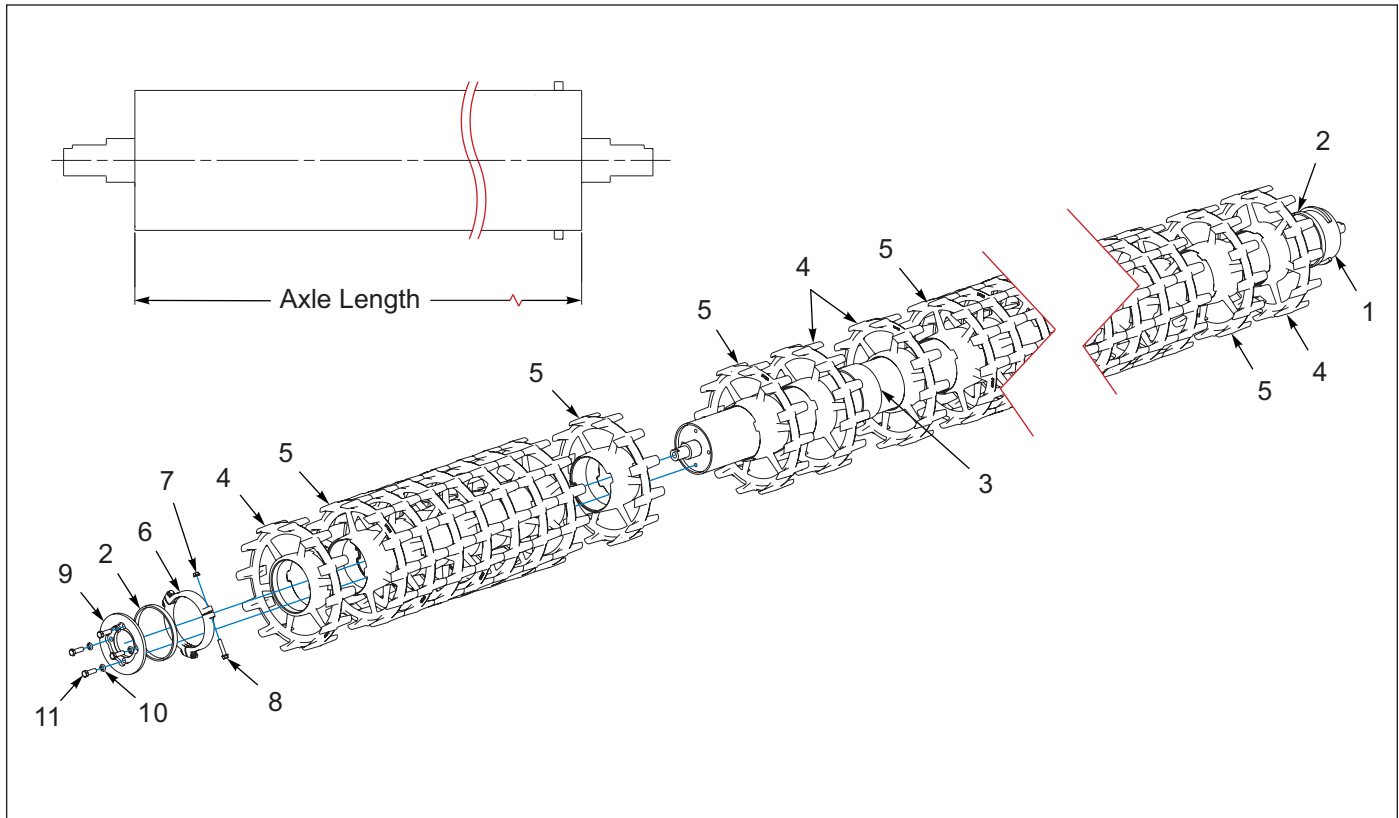


Figure 1-32: Optimizer Axle w/Welded Stubs, WFP38-46 (After 04/2021)

Optimizer Axle w/Welded Stubs, WFP38-46 (After 04/2021)

ITEM	PART NUMBER	DESCRIPTION	QTY				
			140"	152"	164"	176"	188"
		<b>AXLE LENGTH</b>	<b>140"</b>	<b>152"</b>	<b>164"</b>	<b>176"</b>	<b>188"</b>
	231083	ROLLER ASM, 140" OPTIMIZER	1	--	--	--	--
	231084	ROLLER ASM, 152" OPTIMIZER	--	1	--	--	--
	234134	AXLE ASM, 164" OPTIMIZER	--	--	1	--	--
	234135	AXLE ASM, 176" OPTIMIZER	--	--	--	1	--
	234136	AXLE ASM, 188" OPTIMIZER	--	--	--	--	1
1	231051	AXLE WLD, 140" W/STUB SHAFTS	1	--	--	--	--
1	231052	AXLE WLD, 152" W/STUB SHAFTS	--	1	--	--	--
1	234122	AXLE WLD, 164" W/STUB SHAFTS	--	--	1	--	--
1	234123	AXLE WLD, 176" W/STUB SHAFTS	--	--	--	1	--
1	234124	AXLE WLD, 188" W/STUB SHAFTS	--	--	--	--	1
2	179346	TUBE, RD 8.125 X 8.625 X .781	2	2	2	2	--
2	164687	TUBE RD 8.125X8.625X0.688	--	--	--	--	2
3	174890	TUBE, RD 8.125 X 8.625 X 3.875	1	1	1	1	2
4	164709	OPTIMIZER END WHEEL, 8" AXLE	4	4	4	4	6
5	3P300	CASTING, WHEEL OPTIM. 8" AXLE	19	21	23	25	25
6	3P052	CASTING, CLAMP AXLE	3	3	3	3	3
7	172509	NUT, 1/2-13 WIDE FLNG TOP LCK F	3	3	3	3	3
8	172896	SCREW FLG HD 1/2-13X2-1/2 GR8	3	3	3	3	3
9	191396	STOP, WHEEL WLDMT	1	1	1	1	1
10	1-861-010034-15	WASHER, LK, HLCL SPR, 5/8	4	4	4	4	4
11	1-654-010059-05	SCREW, HEX CAP, 5/8-11UNCX2 GR5	4	4	4	4	4

### Optimizer Outer Axle w/Welded Stubs, WFP50-52 (After 04/2021)

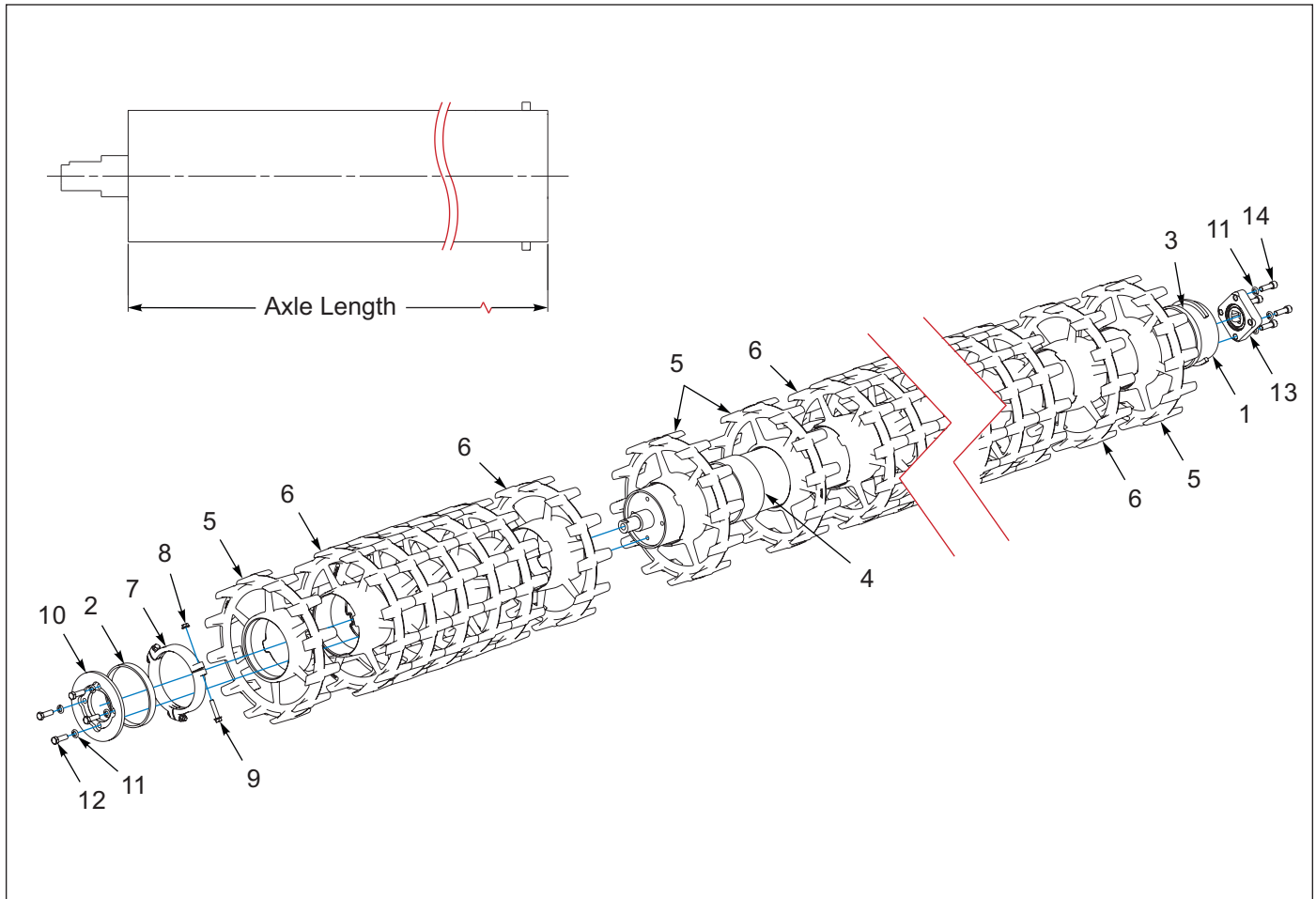


Figure 1-33: Optimizer Outer Axle w/Welded Stubs, WFP50-52 (After 04/2021)

### Optimizer Outer Axle w/Welded Stubs, WFP50-52 (After 04/2021)

ITEM	PART NUMBER	DESCRIPTION	QTY	
		<b>AXLE LENGTH</b>	<b>104"</b>	<b>116"</b>
	234146	AXLE,104" OPTIMIZER STUB/BRG	1	--
	234148	AXLE,116" OPTIMIZER STUB/BRG	--	1
1	234119	AXLE WLD,104" STUB/BRG	1	--
1	234121	AXLE WLD,116" STUB/BRG	--	1
2	179440	TUBE, RD 8.125 X 8.625 X 1.0	1	1
3	179346	TUBE, RD 8.125 X 8.625 X .781	1	1
4	174890	TUBE, RD 8.125 X 8.625 X 3.875	1	1
5	164709	OPTIMIZER END WHEEL, 8" AXLE	4	4
6	3P300	CASTING, WHEEL OPTIM. 8" AXLE	13	15
7	3P052	CASTING, CLAMP AXLE	3	3
8	172509	NUT,1/2-13 WIDE FLNG TOP LCK F	3	3
9	172896	SCREW FLG HD 1/2-13X2-1/2 GR8	3	3
10	191396	STOP, WHEEL WLDMT	1	1
11	1-861-010034-15	WASHER,LKG,HLCL SPR,5/8	8	8
12	1-654-010059-05	SCREW,HEX CAP,5/8-11UNCX2 GR5	4	4
13	181285	HUB ASSM, 1-1/2 SQ BRG <b>(SEE PAGE 1-57)</b>	1	1
14	181653	SCHS, 5/8-11 X 2, ZP	4	4

ILLUSTRATED PARTS LIST

Optimizer Inner Axle, w/Welded Stubs, WFP50-52 (After 04/2021)

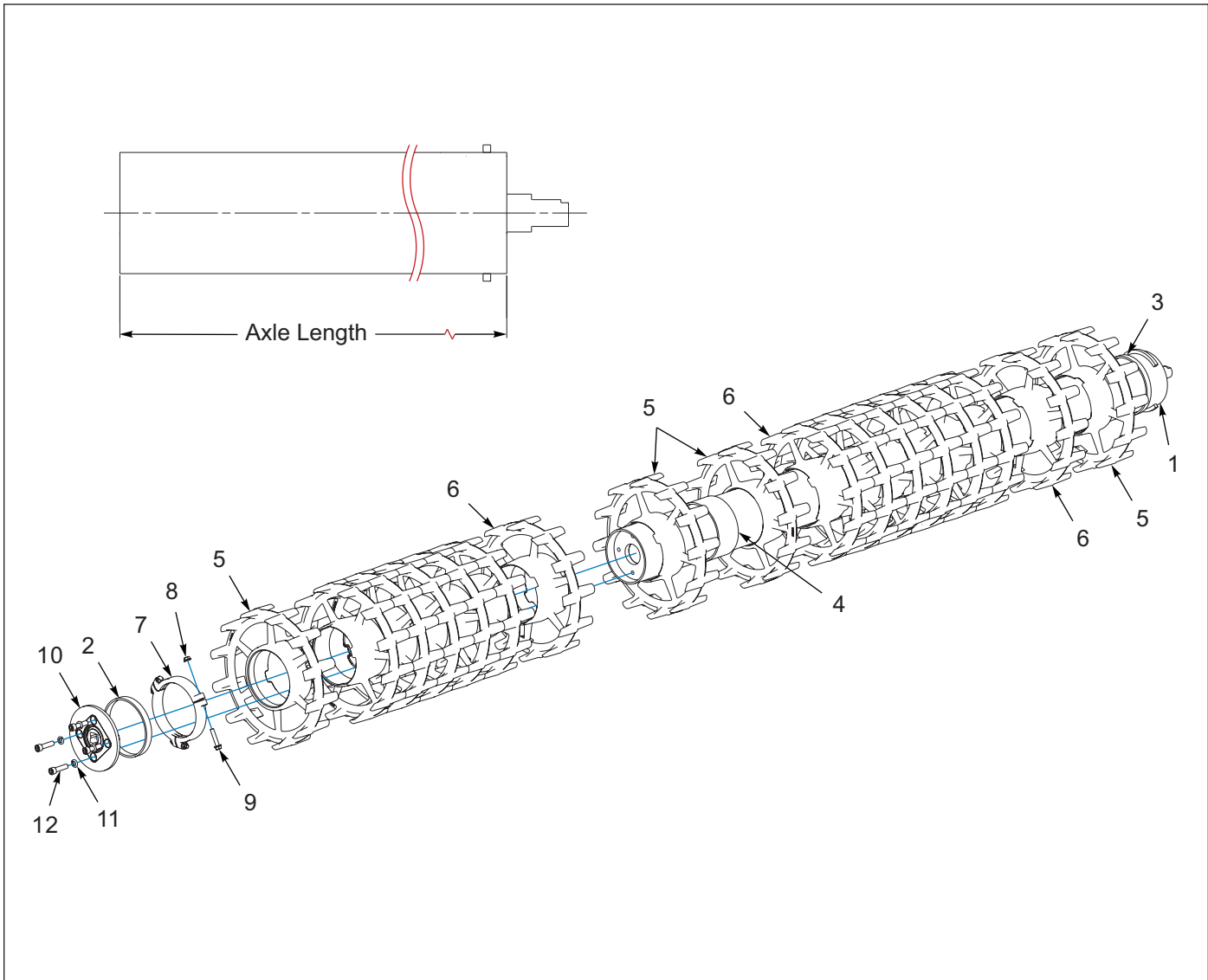


Figure 1-34: Optimizer Inner Axle, w/Welded Stubs, WFP50-52 (After 04/2021)

Optimizer Inner Axle, w/Welded Stubs, WFP50-52 (After 04/2021)

ITEM	PART NUMBER	DESCRIPTION	QTY
	234147	AXLE,104" OPTIMIZER STUB/BRG	1
1	234120	AXLE WLD,104" STUB/BRG	1
2	179440	TUBE, RD 8.125 X 8.625 X 1.0	1
3	179346	TUBE, RD 8.125 X 8.625 X .781	1
4	174890	TUBE, RD 8.125 X 8.625 X 3.875	1
5	164709	OPTIMIZER END WHEEL, 8" AXLE	4
6	3P300	CASTING, WHEEL OPTIM. 8" AXLE	13
7	3P052	CASTING, CLAMP AXLE	3
8	172509	NUT,1/2-13 WIDE FLNG TOP LCK F	3
9	172896	SCREW FLG HD 1/2-13X2-1/2 GR8	3
10	181286	HUB ASSM, 1-1/2 SQ BRG W/STOP (SEE PAGE 1-57)	1
11	1-861-010034-15	WASHER,LKG,HLCL SPR,5/8	4
12	181654	SCHS, 5/8-11 X 2-1/2, ZP	4



**Optimizer Axle w/Bolt on Stubs, WFP38-52 (Before 04/2021)**

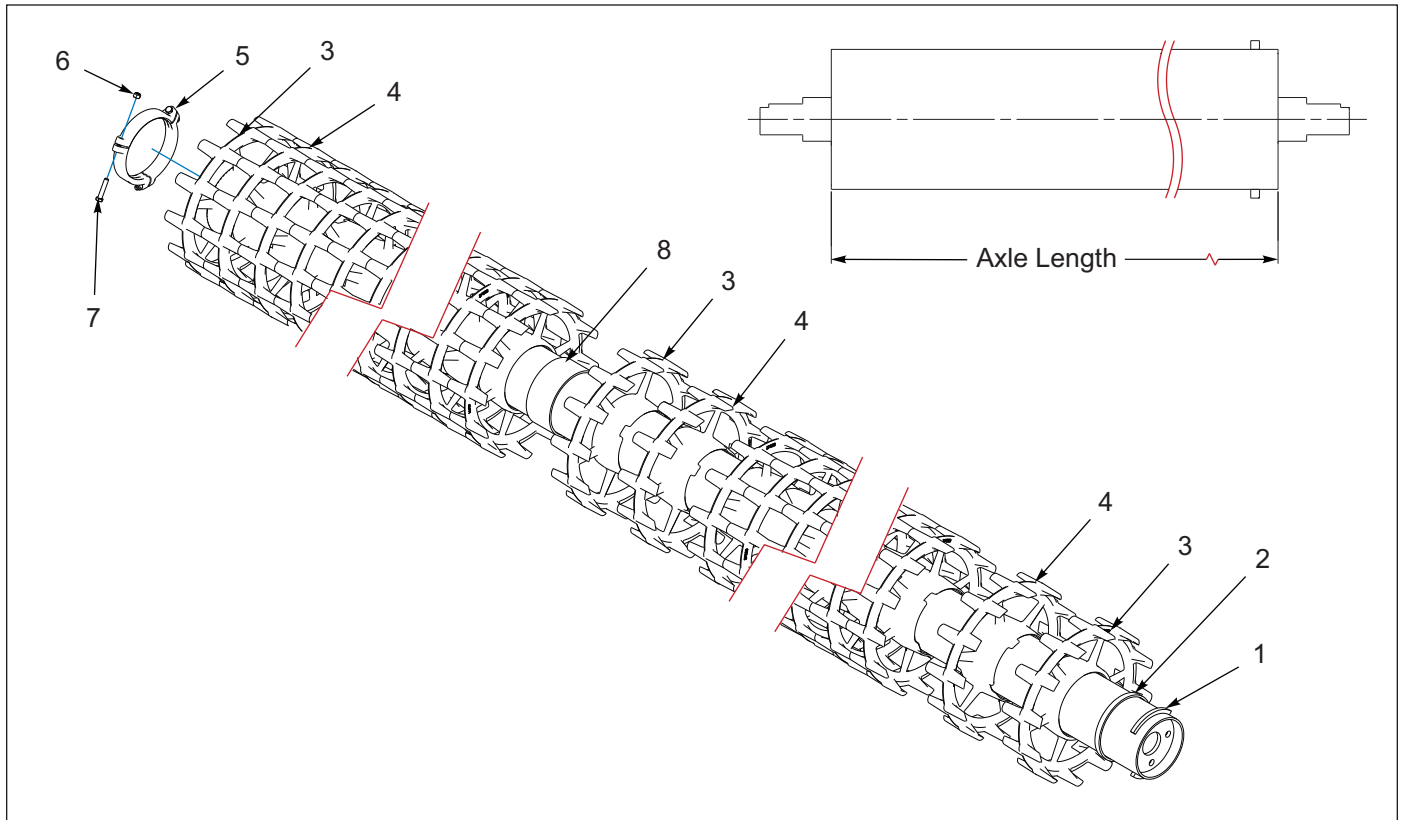


Figure 1-35: Optimizer Axle w/Bolt on Stubs, WFP38-52 (Before 04/2021)

**Optimizer Axle w/Bolt on Stubs, WFP38-52 (Before 04/2021)**

ITEM	PART NUMBER	DESCRIPTION	QTY						
			104"	116"	140"	152"	164"	176"	188"
		<b>AXLE LENGTH</b>	<b>104"</b>	<b>116"</b>	<b>140"</b>	<b>152"</b>	<b>164"</b>	<b>176"</b>	<b>188"</b>
	164713	AXLE ASM, 8FT X 8" TUBE, OPT	1	--	--	--	--	--	--
	164714	AXLE ASM, 9FT X 8" TUBE, OPT	--	1	--	--	--	--	--
	164716	AXLE ASM, 11FT X 8" TUBE, OPT	--	--	1	--	--	--	--
	164717	AXLE ASM, 12FT X 8" TUBE, OPT	--	--	--	1	--	--	--
	164718	AXLE ASM, 13FT X 8", OPTIMIZER	--	--	--	--	1	--	--
	164719	AXLE ASM, 14FT X 8", OPTIMIZER	--	--	--	--	--	1	--
	164720	AXLE ASM, 15FT X 8", OPTIMIZER	--	--	--	--	--	--	1
1	3P037	AXLE WLD, 8FT X 8" TUBE (104")	1	--	--	--	--	--	--
1	3P038	AXLE WLD, 9FT X 8" TUBE (116")	--	1	--	--	--	--	--
1	3P040	AXLE WLD, 11FT X 8" TUBE (140")	--	--	1	--	--	--	--
1	3P041	AXLE WLD, 12FT X 8" TUBE (152")	--	--	--	1	--	--	--
1	164656	AXLE WLD, 13FT X 8 TUBE (164")	--	--	--	--	1	--	--
1	164657	AXLE WLD, 14FT X 8" TUBE (176")	--	--	--	--	--	1	--
1	164658	AXLE WLD, 15FT X 8" TUBE (188")	--	--	--	--	--	--	1
2	164687	TUBE, RND 8.125 X 8.625 X 0.688	1	1	1	1	--	--	--
2	179346	TUBE, RND 8.125 X 8.625 X .781	--	--	--	--	1	1	1
3	164709	OPTIMIZER END WHEEL, 8" AXLE	4	4	4	4	4	4	6
4	3P300	WHEEL, OPTIMIZER, 8" AXLE	13	15	19	21	23	25	25
5	3P052	CLAMP, AXLE	3	3	3	3	3	3	3
6	1-512-010005-09	NUT, HEX, SLFLKG, 1/2-13 GRB	3	3	3	3	3	3	3
7	1-654-010055-07	SCREW, HX CP, 1/2-13UNC X 2-1/2	3	3	3	3	3	3	3

### V-Roller Axle Assembly, 7.5FT

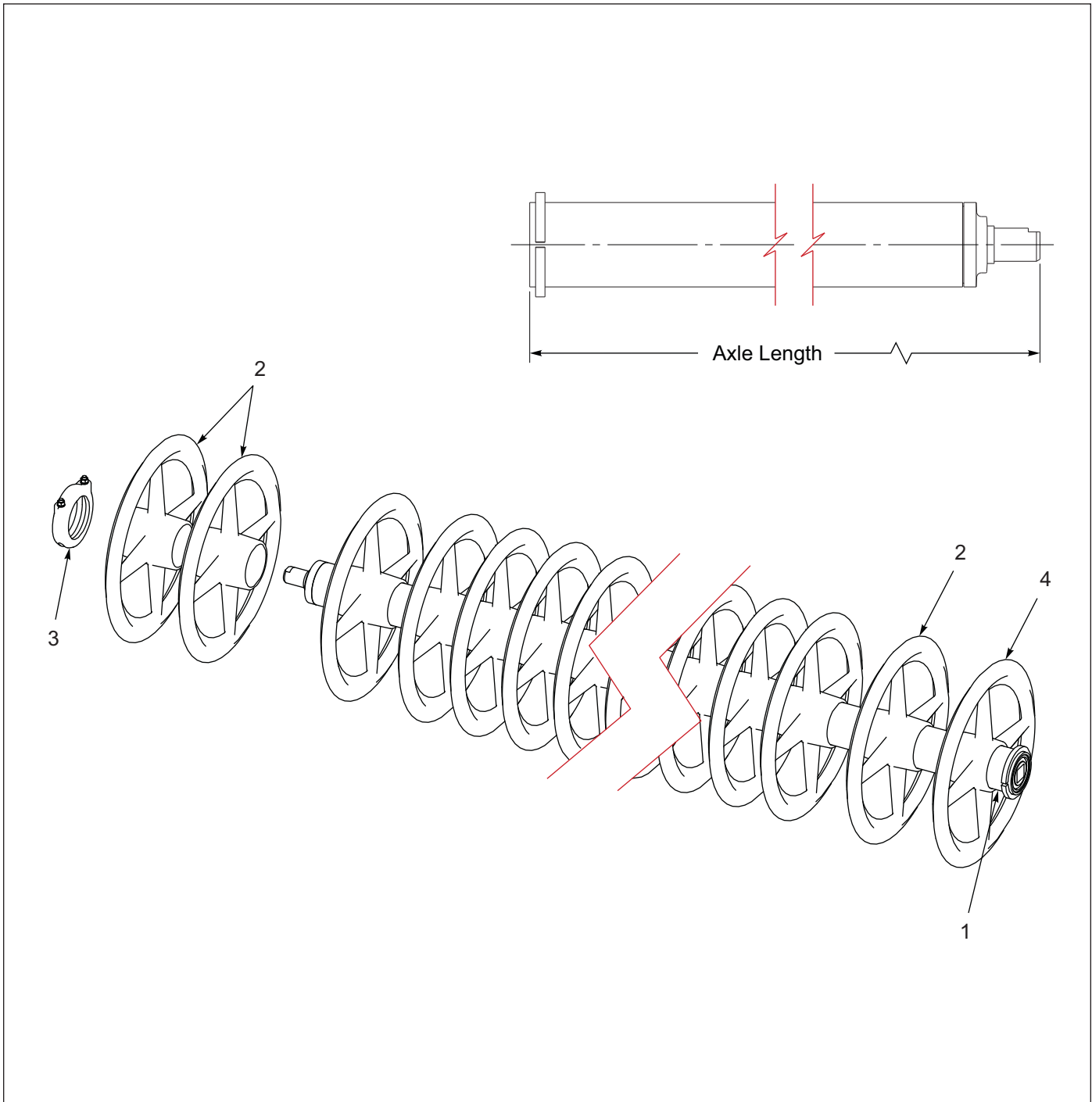


Figure 1-36: V-Roller Axle Assembly, 7.5FT

### V-Roller Axle Assembly, 7.5FT

ITEM	PART NUMBER	DESCRIPTION	QTY
	191114	AXLE ASM, V-WHL STUB/BRG 7.5FT	1
1	191111	AXLE ASM, 4.5 X 93-1/8 (97-1/4) (SEE PAGE 1-56)	1
2	183555	WHEEL, 22" V	14
3	5J376	AXLE CLAMP ASSEM (SEE PAGE 1-60)	1
4	191118	END WHEEL, 22"	1

V-Roller Axle Assemblies, 8FT, 9FT and 9.5FT

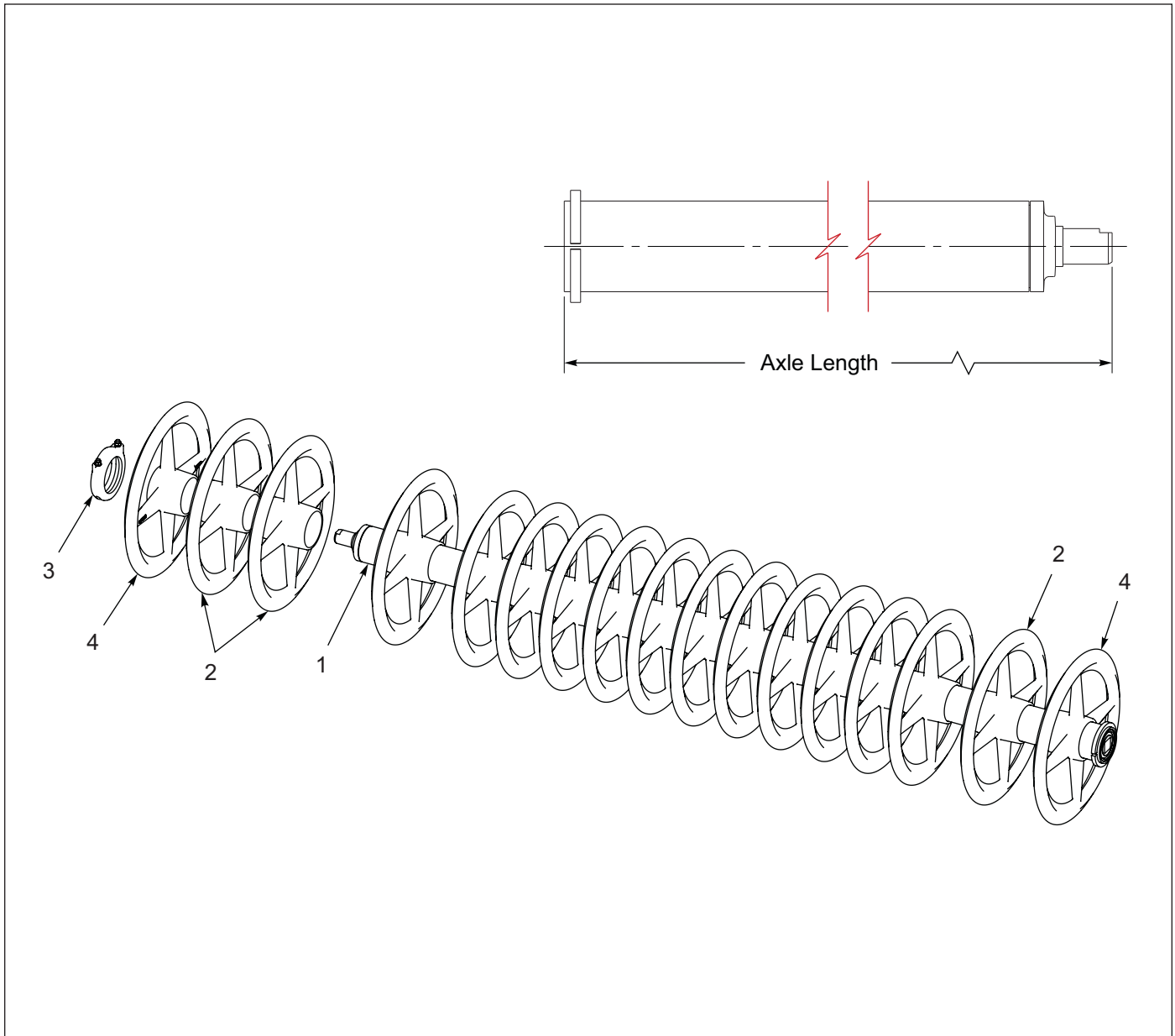


Figure 1-37: V-Roller Axle Assemblies, 8FT, 9FT and 9.5FT

V-Roller Axle Assemblies, 8FT, 9FT and 9.5FT

ITEM	PART NUMBER	DESCRIPTION	QTY		
			106"	112"	116"
		<b>AXLE LENGTH</b>	<b>106"</b>	<b>112"</b>	<b>116"</b>
	208566	AXLE ASM, V-WHL STUB/BRG 8FT	1	--	--
	208567	AXLE ASM, V-WHL STUB/BRG 9FT	--	1	--
	208568	AXLE ASM, V-WHL STUB/BRG 9.5FT	--	--	1
1	208574	AXLE ASM, 4-1/2 X 101-7/8 (106") (SEE PAGE 1-56)	1	--	--
1	208575	AXLE ASM, 4-1/2 X 107-7/8 (112") (SEE PAGE 1-56)	--	1	--
1	208576	AXLE ASM, 4-1/2 X 113-7/8 (118") (SEE PAGE 1-56)	--	--	1
2	183555	WHEEL, 22" V	15	16	17
3	5J376	AXLE CLAMP ASSEM (SEE PAGE 1-60)	1	1	1
4	191118	END WHEEL, 22"	2	2	2

### Axle Assemblies, Stub and Bearing

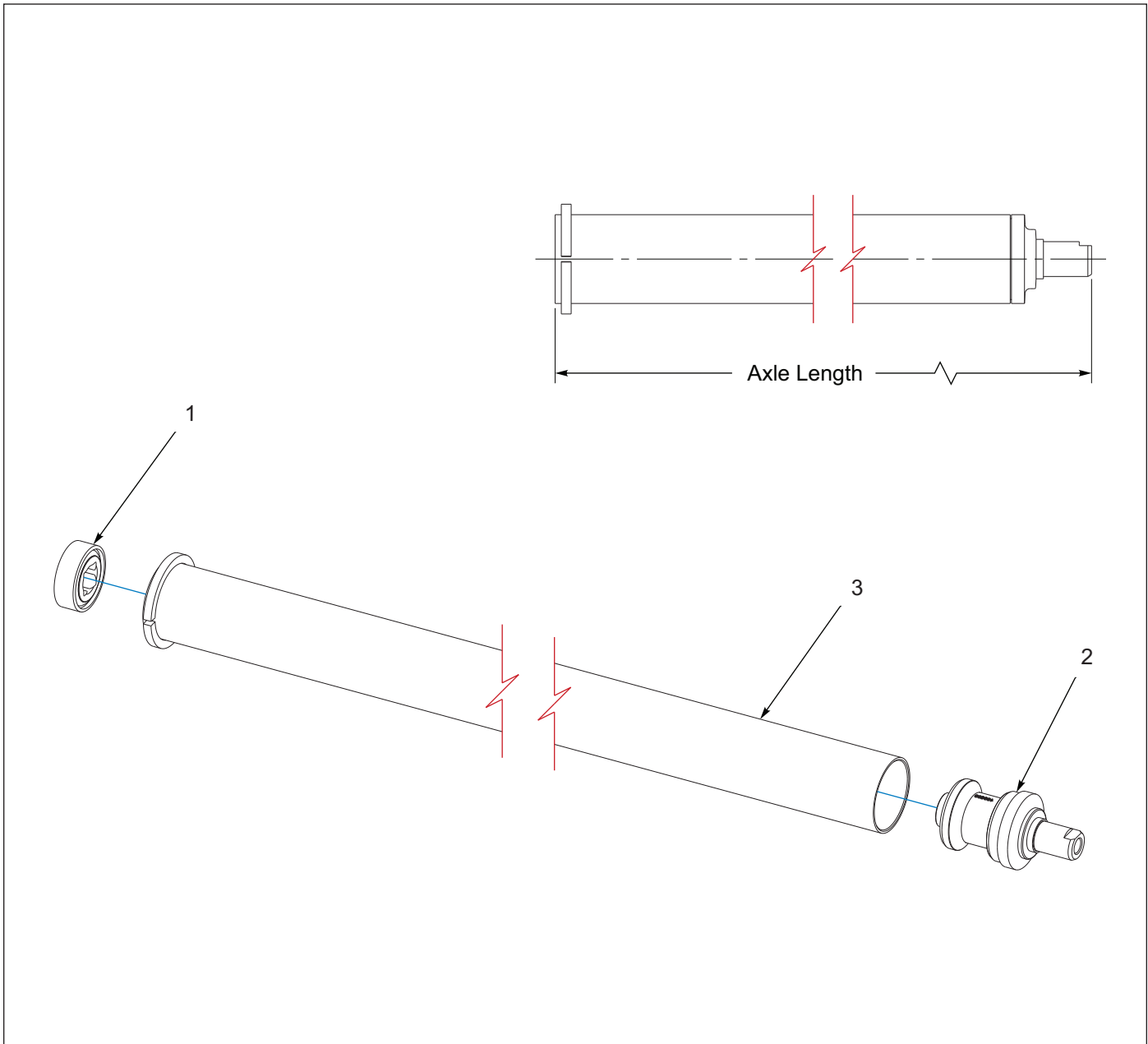


Figure 1-38: Axle Assemblies, Stub and Bearing

### Axle Assemblies, Stub and Bearing

ITEM	PART NUMBER	DESCRIPTION	QTY			
			97-1/4"	106"	112"	118"
		<b>AXLE LENGTH</b>	<b>97-1/4"</b>	<b>106"</b>	<b>112"</b>	<b>118"</b>
	191111	AXLE WLD,4-1/2 X 93-1/8 (97-1/4)	1	--	--	--
	208574	AXLE WLD,4-1/2X101-7/8 (106)	--	1	--	--
	208575	AXLE WLD,4-1/2X107-7/8 (112)	--	--	1	--
	208576	AXLE WLD,4-1/2X113-7/8 (118)	--	--	--	--
1	3J246	SQ BORE BEARING	1	1	1	1
2	189538	STUB, TRUNNION 4.5 AXLE	1	1	1	1
3	-----	PIPE AXLE (NOT SOLD SEPARATELY, ORDER ASSEMBLY TO REPLACE)	1	1	1	1

# Axle Clamp Assembly

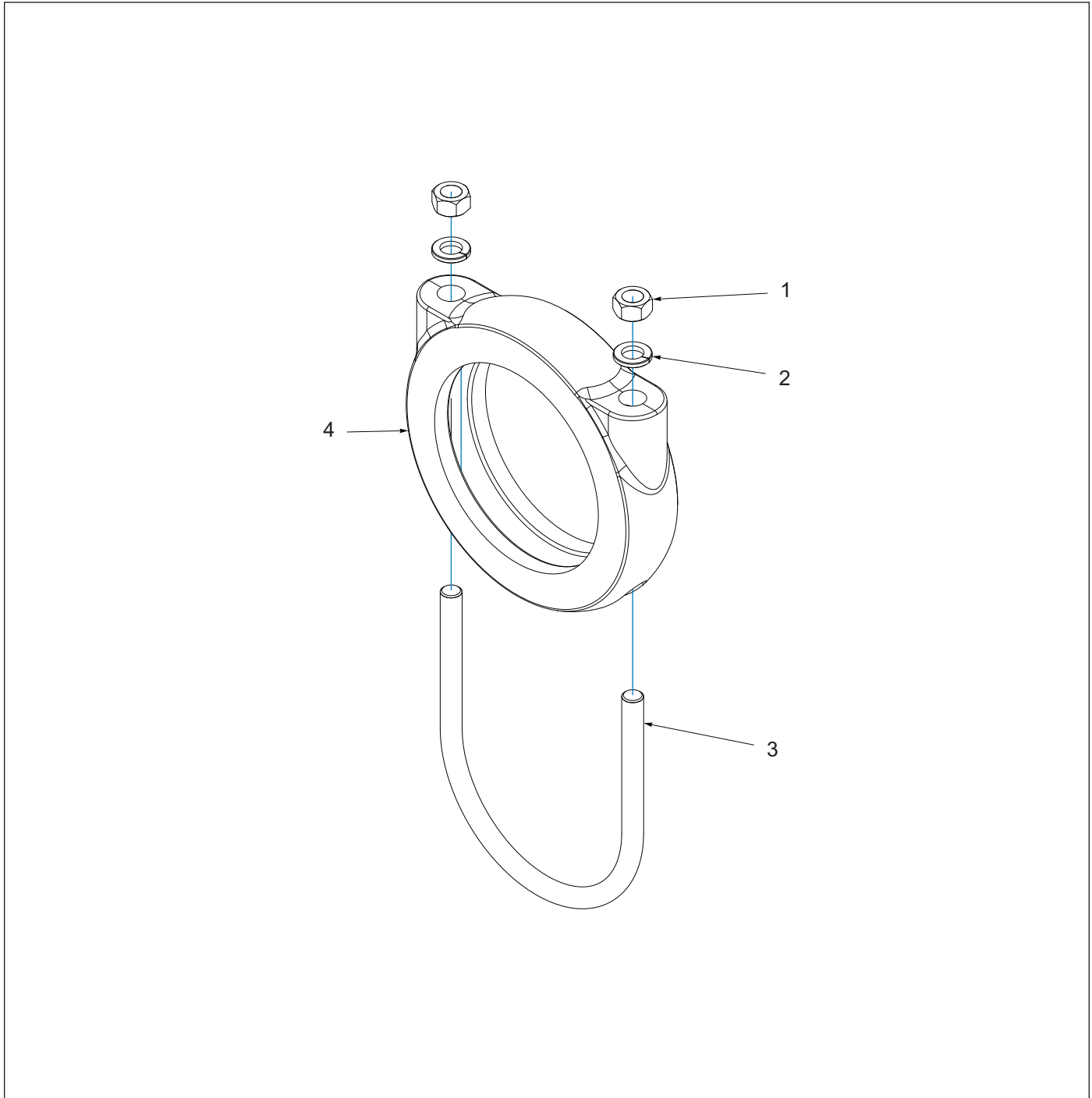


Figure 1-39: Axle Clamp Assembly

## Axle Clamp Assembly

ITEM	PART NUMBER	DESCRIPTION	QTY
	5J376	AXLE CLAMP ASSEM	1
1	1-512-010007-08	NUT, HEX 7/16-14, ZP	2
2	1-861-010034-12	WASHER, LOCKING HLC SPG 7/16	2
3	1C290	U-BOLT, RND 7/16-14 X R2 5/16	1
4	0A087	AXLE CLAMP, 4-5/8" ID	1

### Hub Assemblies, Square Bearing

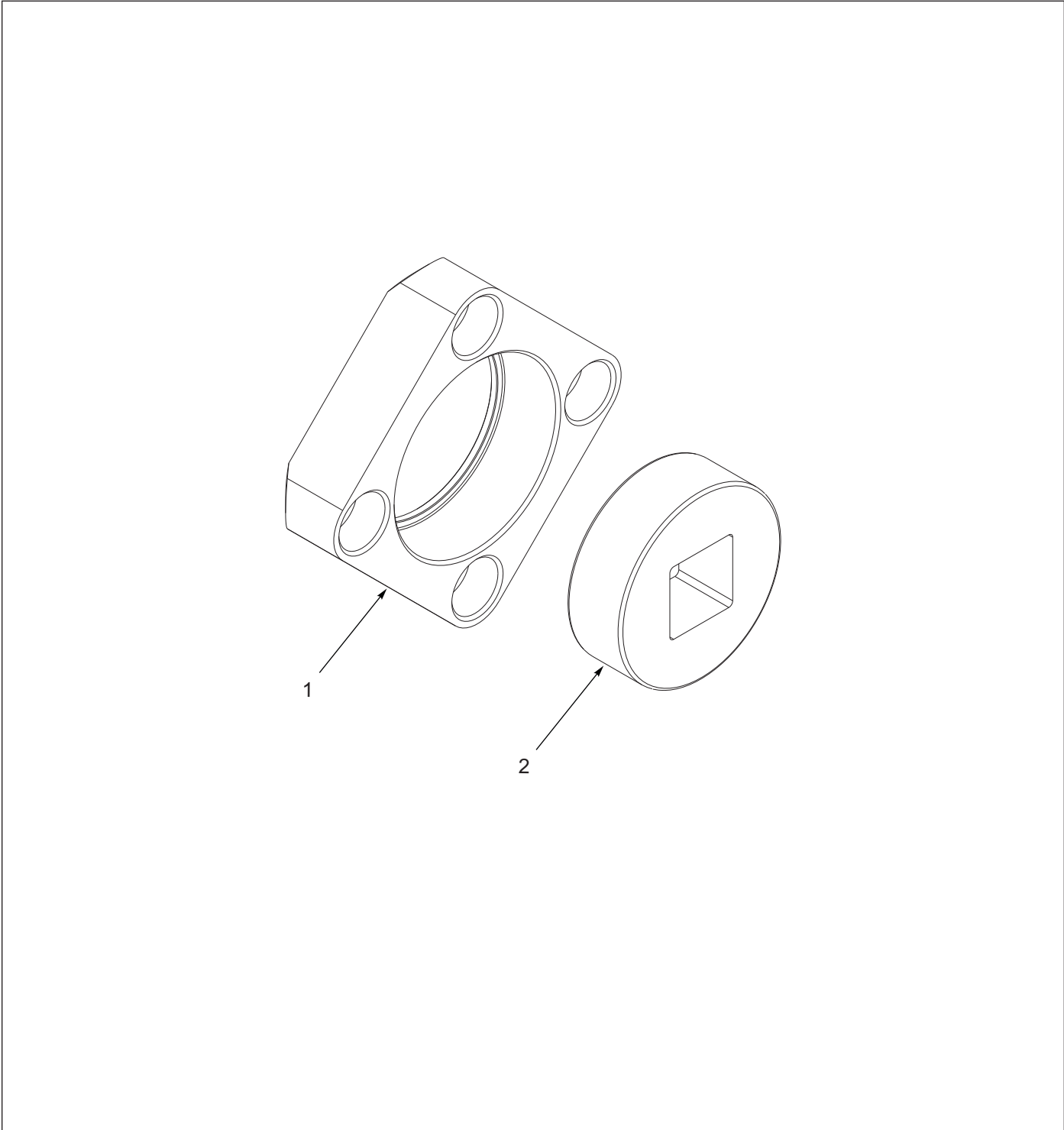


Figure 1-40: Hub Assemblies, Square Bearing

### Hub Assembly, Square Bearing

ITEM	PART NUMBER	DESCRIPTION	QTY
	181285	HUB ASSM, 1-1/2 SQ BRG	1
1	175181	HUB, AXLE BRG	1
2	3J246	SQ BORE BEARING	1

## Hub Assemblies, Square Bearing Stop

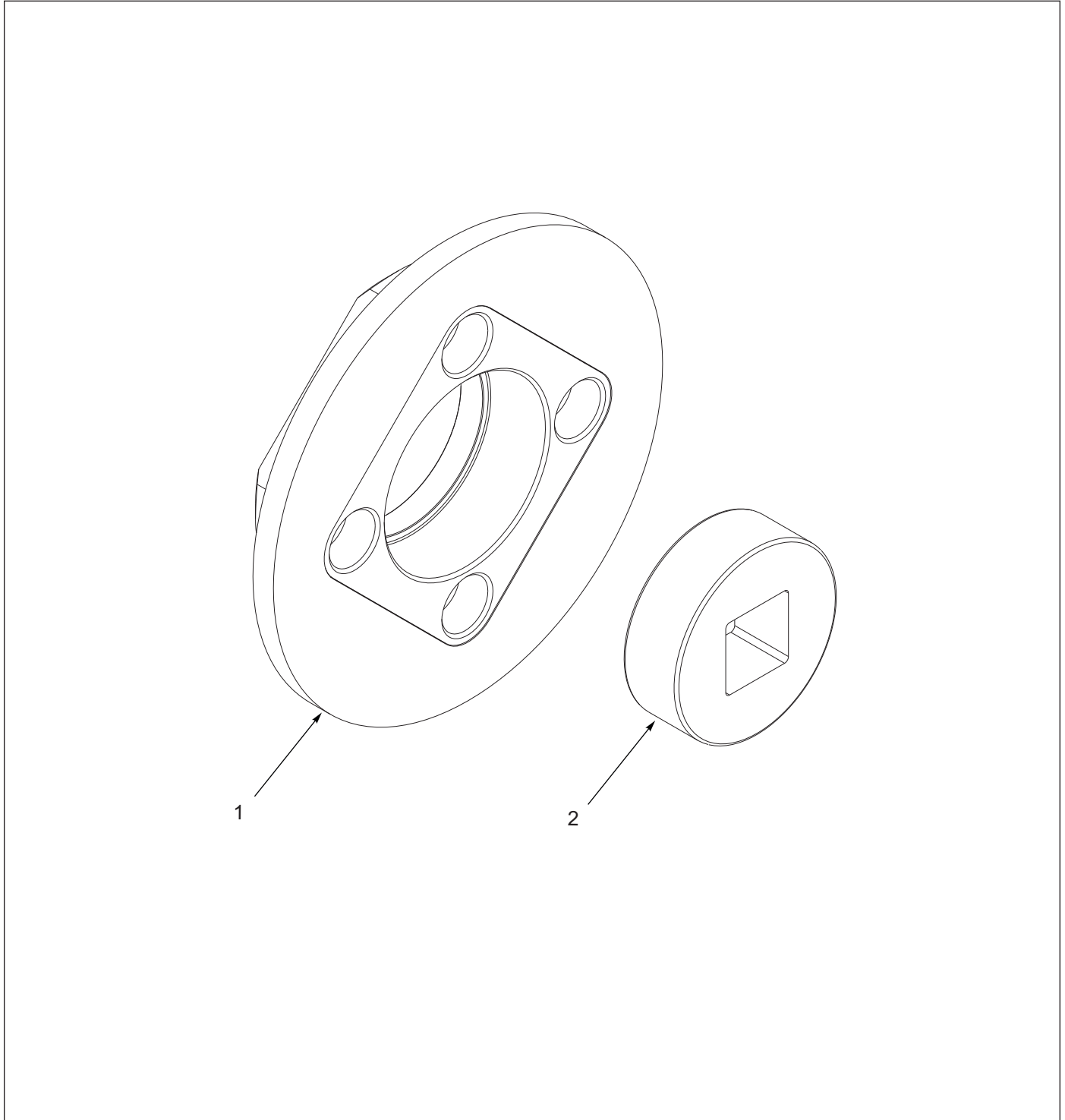


Figure 1-41: Hub Assemblies, Square Bearing Stop

### Hub Assembly, Square Bearing Stop

ITEM	PART NUMBER	DESCRIPTION	QTY
	181286	HUB ASSM, 1-1/2 SQ BRG W/STOP	1
1	181280	HUB WLD, BEARING W/WHEEL STOP	1
2	3J246	SQ BORE BEARING	1

# Notched Scraper

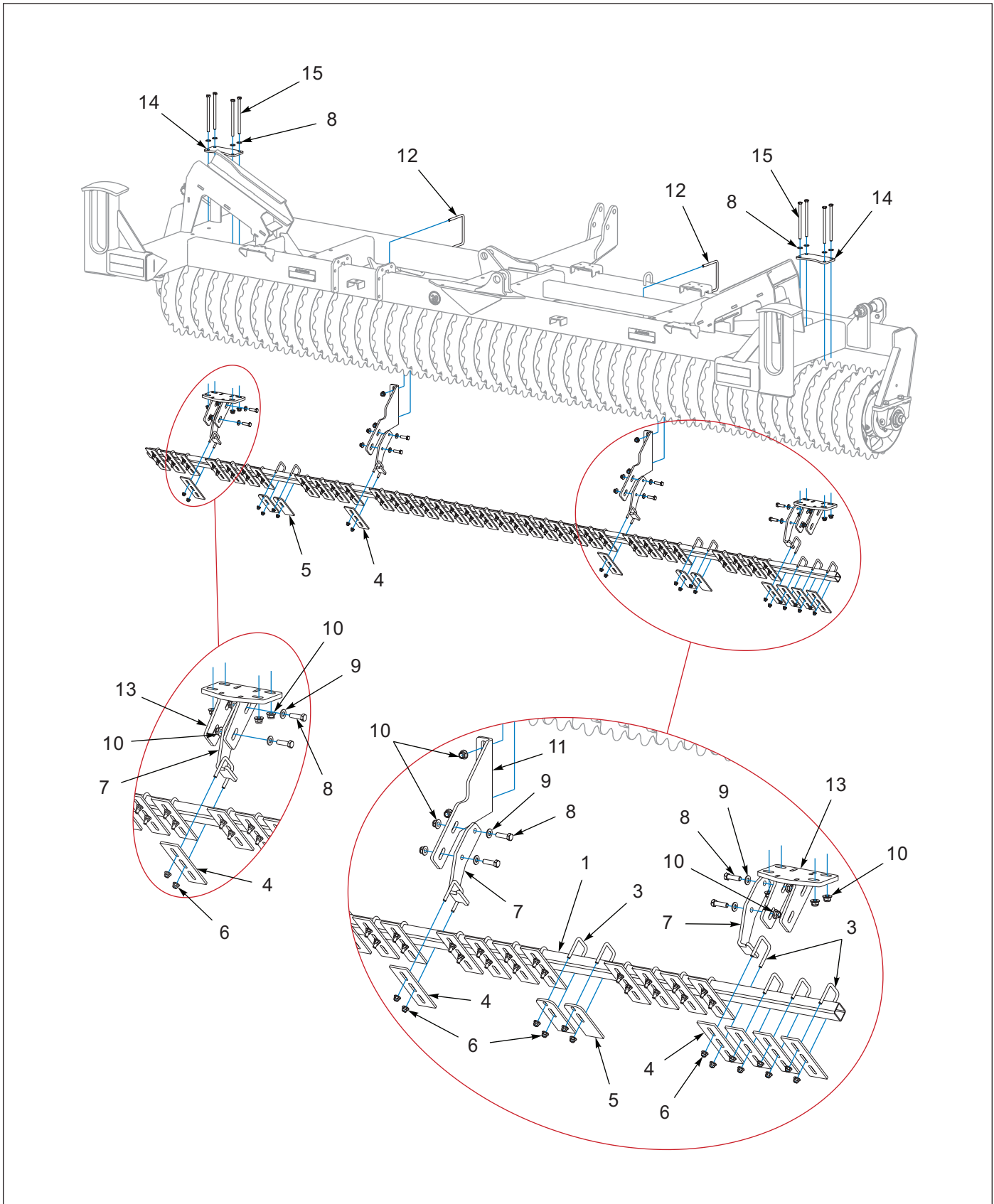


Figure 1-42: Notched Scraper, Center



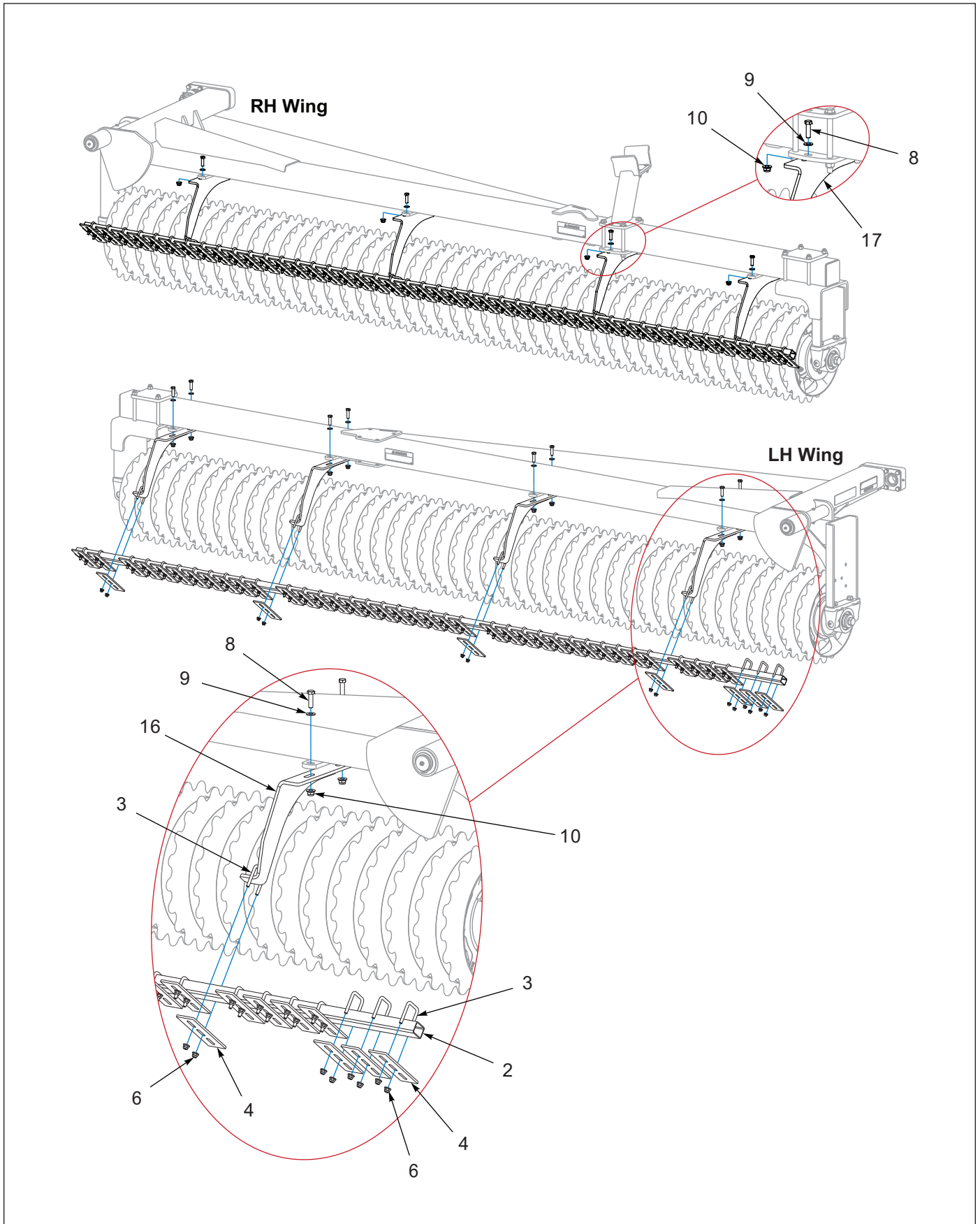


Figure 1-43: Notched Scraper, Wings

**ILLUSTRATED PARTS LIST**

**Notched Scraper**

ITEM	PART NUMBER	DESCRIPTION	QTY						
			38	40	42	44	46	50	52
		<b>WFP MODEL NUMBERS</b>	<b>38</b>	<b>40</b>	<b>42</b>	<b>44</b>	<b>46</b>	<b>50</b>	<b>52</b>
	171856	KIT, WFPD38 SCRAPER	1	--	--	--	--	--	--
	171857	KIT, WFPD40 SCRAPER	--	1	--	--	--	--	--
	171858	KIT, WFPD42 SCRAPER	--	--	1	--	--	--	--
	171859	KIT, WFPD44 SCRAPER	--	--	--	1	--	--	--
	171860	KIT, WFPD46 SCRAPER	--	--	--	--	1	--	--
	184473	KIT, WFPD50 SCRAPER	--	--	--	--	--	1	--
	184474	KIT, WFPD52 SCRAPER	--	--	--	--	--	--	1
1	174281	TUBE, 2 X 1-1/2 X 11GA X 184-1/2 <b>(CENTER TUBE)</b>	1	1	1	1	1	1	1
2	181287	TUBE, 2 X 1-1/2 X 11GA X 222	--	--	--	--	--	--	2
2	181301	TUBE, 2 X 1-1/2 X 11GA X 210	--	--	--	--	--	2	--
2	171754	TUBE, 2 X 1-1/2 X 11GA X 192	--	--	--	--	2	--	--
2	171753	TUBE, 2 X 1-1/2 X 11GA X 180	--	--	--	2	--	--	--
2	171752	TUBE, 2 X 1-1/2 X 11GA X 168	--	--	2	--	--	--	--
2	171751	TUBE, 2 X 1-1/2 X 11GA X 156	--	2	--	--	--	--	--
2	171750	TUBE, 2 X 1-1/2 X 11GA X 144	2	--	--	--	--	--	--
3	171749	U-BOLT, 3/8-16 X 2-7/16 X 2-3/4, ZP	118	124	130	136	142	160	166
4	8J014	SCRAPER, 2-1/2" WIDE	114	120	126	132	138	156	162
5	9J930	SCRAPER	4	4	4	4	4	4	4
6	2P252	NUT, FLANGE NY-LOK 3/8-16	236	248	260	272	284	320	332
7	171748	BRACKET, SCRAPER TUBE	4	4	4	4	4	4	4
8	1-654-010055-04	SCREW, HEX CAP, 1/2-13UNC X 1-3/4	20	20	24	24	24	28	28
9	1-861-010032-14	WASHER, FLAT 1/2" N, ZP/CD	32	32	36	36	36	40	40
10	2P253	NUT, FLANGE NY-LOK 1/2-13	34	34	38	38	38	44	44
11	171746	MOUNT, CENTER FRAME SCRAPER	2	2	2	2	2	2	2
12	4J918	U-BOLT, 1/2 X 5-1/4 X 6-1/16	2	2	2	2	2	2	2
13	175146	BRACKET, SCRAPER MOUNT	2	2	2	2	2	2	2
14	175147	PLATE, 4 HOLE	2	2	2	2	2	2	2
15	172898	SCREW HX CP 1/2-13X8 GR5	8	8	8	8	8	8	8
16	190875	MOUNT, LH WING SCRAPER	3	3	4	4	4	5	5
17	185974	MOUNT, RH WING SCRAPER	3	3	4	4	4	5	5



# V-Wheel Scraper, WFP50-52

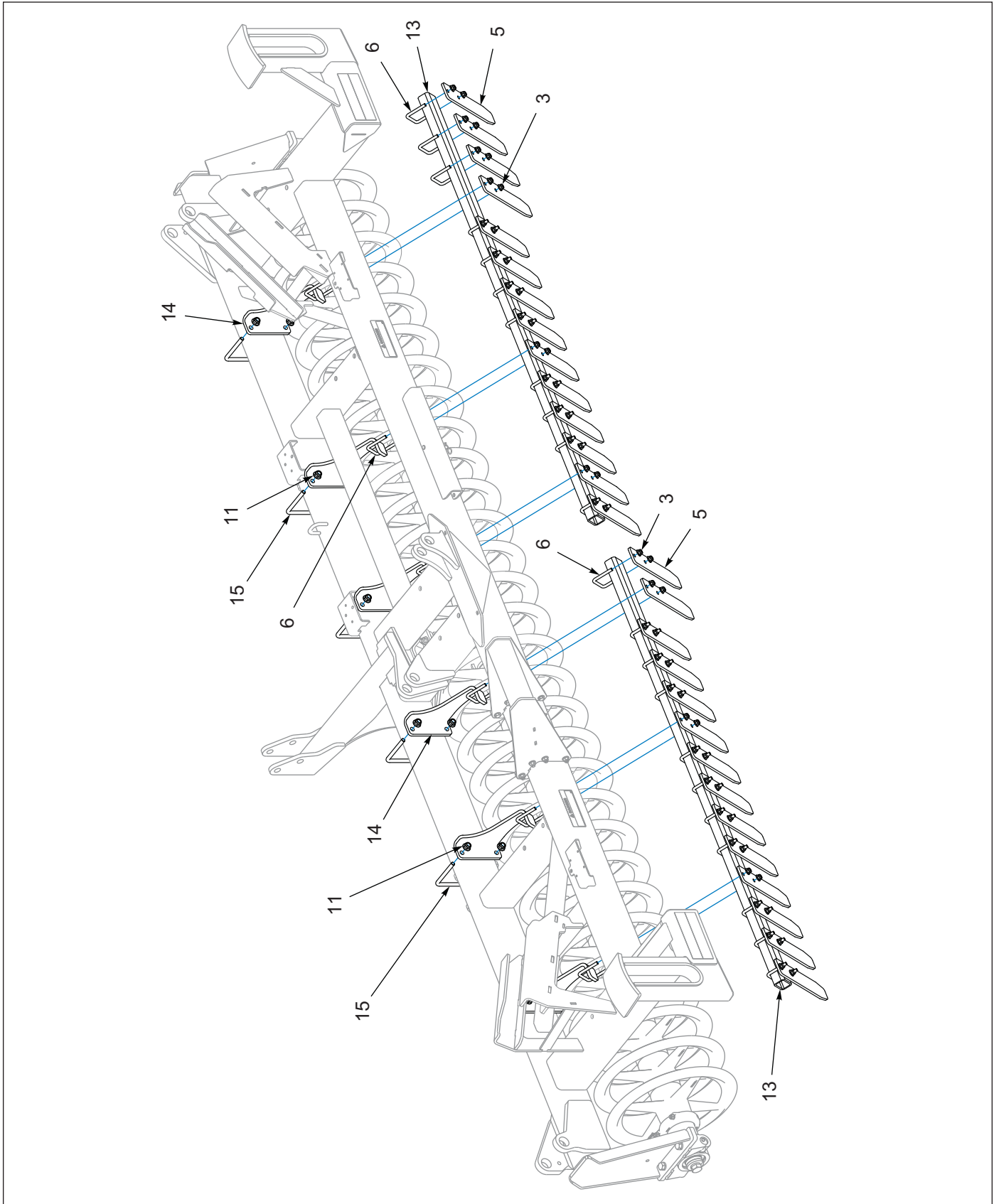


Figure 1-44: V-Wheel Scraper, Center

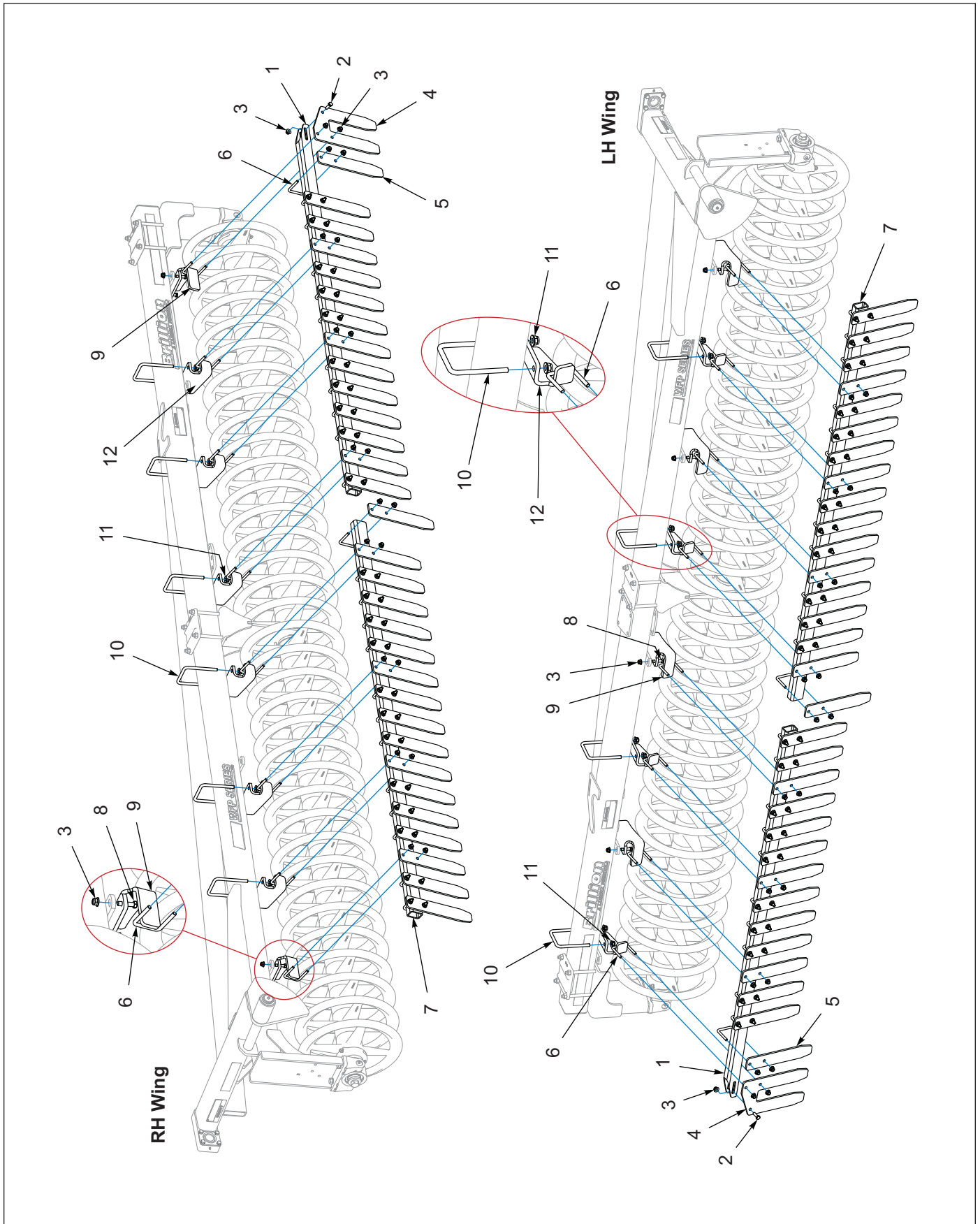


Figure 1-45: V-Wheel Scraper, Wings, WFP50

ILLUSTRATED PARTS LIST

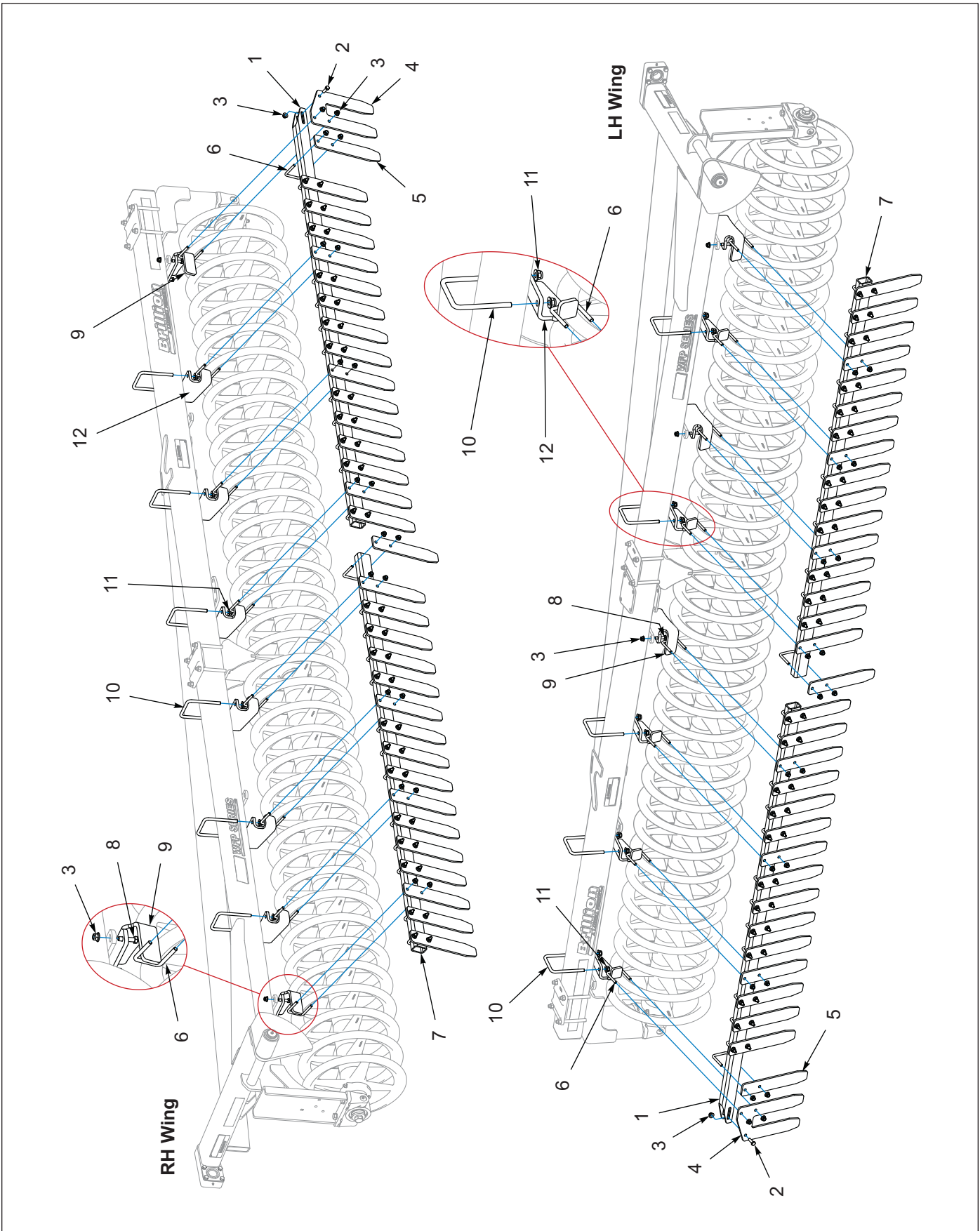


Figure 1-46: V-Wheel Scraper, Wings, WFP52

## V-Wheel Scraper, WFP50-52

ITEM	PART NUMBER	DESCRIPTION	QTY	
		<b>WFP MODEL NUMBERS</b>	<b>50</b>	<b>52</b>
	211162	KIT,V-WHL SCRAPER,WFP50	1	--
	211163	KIT,V-WHL SCRAPER,WFP52	--	1
1	209845	TUBE, MITERED SCRAPER (105-1/2")	2	--
1	209846	TUBE, MITERED SCRAPER (93-1/2")	--	2
2	1-654-010055-03	SCREW, HEX CAP, 1/2-13UNC X 1-1/2	2	2
3	2P253	NUT, FLANGE NY-LOK 1/2-13	198	204
4	209844	SCRAPER, V-WHL END	2	2
5	193253	SCRAPER, VEE WHEEL	90	94
6	193255	U-BOLT, 1/2-13 X 3-9/16 X 3-1/2, ZP	92	96
7	193261	TUBE RECT 3 X 2 X 0.25 X 100	2	2
8	1-654-010055-05	SCREW, HEX CAP, 1/2-13UNC X 2, GR5	12	10
9	209843	BRACKET, V-WHL SCRAPER WING	6	5
10	181363	U-BOLT, 5/8-11 X 5-11/16 X 6-3/4	10	11
11	2P254	NUT, FLANGE NY-LOK 5/8-11	32	34
12	209842	BRACKET, V-WHL SCRAPER WING	10	11
13	194061	TUBE, 3 X 2 X 0.25 X 82	2	2
14	209841	BRACKET, V-WHL, SCRAPER CTR	6	6
15	7J990	U-BOLT, 5/8-11 X 5-1/2 X 6-11/16	6	6

# Hydraulic Layout

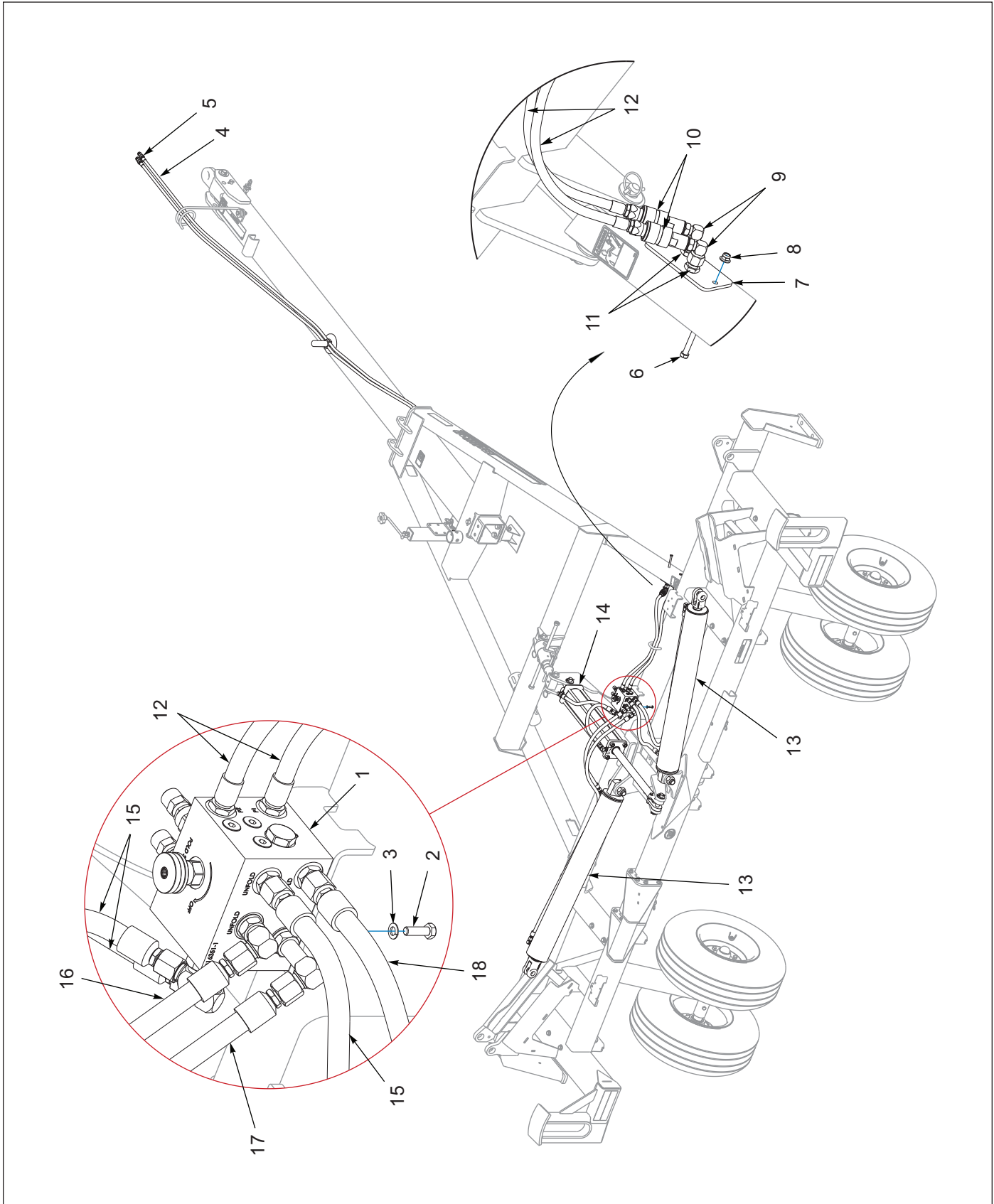


Figure 1-47: Hydraulic Layout



## Hydraulic Layout

ITEM	PART NUMBER	DESCRIPTION	QTY
1	176201	MANIFOLD, WFP 38-46 SEQ	1
1	181527	MANIFOLD, WFP38/52 W/FLOW DVDR	1
2	1-654-010049-05	SCREW, HX CP 5/16-18UNC X 1, GR5	2
3	1-861-010034-10	WASHER, LKG 5/16	2
4	174945	HOSE ASM, 3/8 X 284, #8ORB X 90 #8JIC (20FT DRAWBAR)	2
4	181370	HOSE ASM, 3/8 X 332, #8ORB X 90 #8JIC (24FT DRAWBAR)	2
5	141828	COUPLER, MALE 3/4-16 O-RING	4
6	108295	SCREW, HX CP 3/8-16UNC X4, GR5	2
7	164747	PLATE DRAWBAR BULKHEAD	1
8	2P252	NUT, FLANGE NY-LOK 3/8-16	2
9	2P140	ELBOW, 08MOR X 08FJS X 90 DEG	2
10	142668	COUPLER, FEMALE 3/4-16 O-RING	2
11	102-0322	37 FLARE BULKHEAD/37 FLARE (8MJ)	2
12	170508	HOSE, HYD 3/8 X 36, -8 ORB	2
13	173376	HYD CYLINDER, 5 X 42 (WFP38-46) (SEE PAGE 1-87) (SEE PAGE 1-88)	2
13	181526	HYD CYLINDER, 5-1/2 X 42 (WFP50-52) (SEE PAGE 1-89) (SEE PAGE 1-90)	2
14	1-242-010180-3	CYLINDER, HYD 4 X 20STRK 3000PSI (SEE PAGE 1-86)	1
15	71508954	HOSE ASSY .38X22IN	3
16	71508985	HOSE 3/8 X 30	1
17	147583	HOSE ASSY, 3/8 X 72 #8 JIC SWIV	1
18	116489	HOSE 3/8 X 64 #8 JIC SW	1

# Hydraulic Schematic

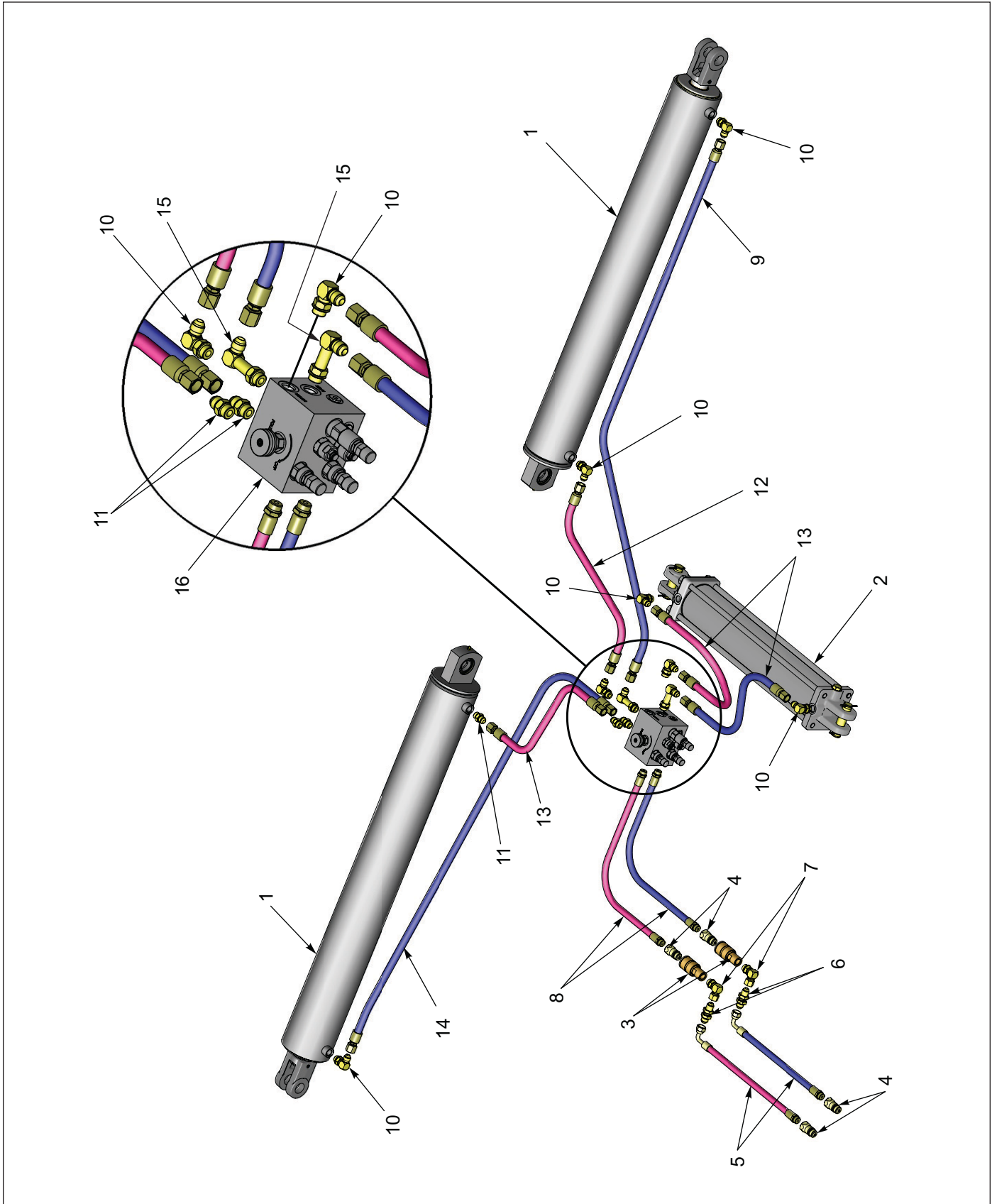


Figure 1-48: Hydraulic Schematic

## Hydraulic Schematic

ITEM	PART NUMBER	DESCRIPTION	QTY
1	173376	HYD CYLINDER, 5 X 42 (WFP38-46) (SEE PAGE 1-87) (SEE PAGE 1-88)	2
1	181526	HYD CYLINDER, 5-1/2 X 42 (WFP50-52) (SEE PAGE 1-89) (SEE PAGE 1-90)	2
2	1-242-010180-3	CYLINDER, HYD 4 X 20STRK 3000PSI (SEE PAGE 1-86)	1
3	142668	COUPLER FEMALE 3/4-16 O-RING	2
4	141828	COUPLER, MALE 3/4-16 O-RING	4
5	174945	HOSE ASM, 3/8 X 284, #8ORB X 90 #8JIC (20FT DRAWBAR)	2
5	181370	HOSE ASM, 3/8 X 332, #8ORB X 90 #8JIC (24FT DRAWBAR)	2
6	102-0322	37 FLARE BULKHEAD/37 FLARE (8MJ)	2
7	2P140	ELBOW, 08MOR X 08FJS X 90DEG	2
8	170508	HOSE, HYD 3/8 X 36, -8 ORB	2
9	147583	HOSE ASSY, 3/8 X 72 #8 JIC SWIV	2
10	2062-8-8S	ADAPTER, 90, #8 O-RING-TUBE (ELBOW, 8MJ X 8MOR)	5
11	202702-8-8S	ADAPTER, #8 O-RING TO #8 TUBE (8MJ X 8MOR)	3
12	71508985	HOSE, 3/8 X 30	1
13	71508954	HOSE ASSY .38 X 22IN	3
14	116489	HOSE, 3/8 X 64 #8 JIC SW	1
15	1400548	ELBOW EX LG (8MJ X 8MOR)	2
16	176201	MANIFOLD, WFP 38-46 SEQ (M16137-3) (SEE PAGE 1-72)	1
16	181527	MANIFOLD, WFP38/52 W/FLOW DVDR (M16351-1) (SEE PAGE 1-73)	1

ILLUSTRATED PARTS LIST

Manifold - 176201

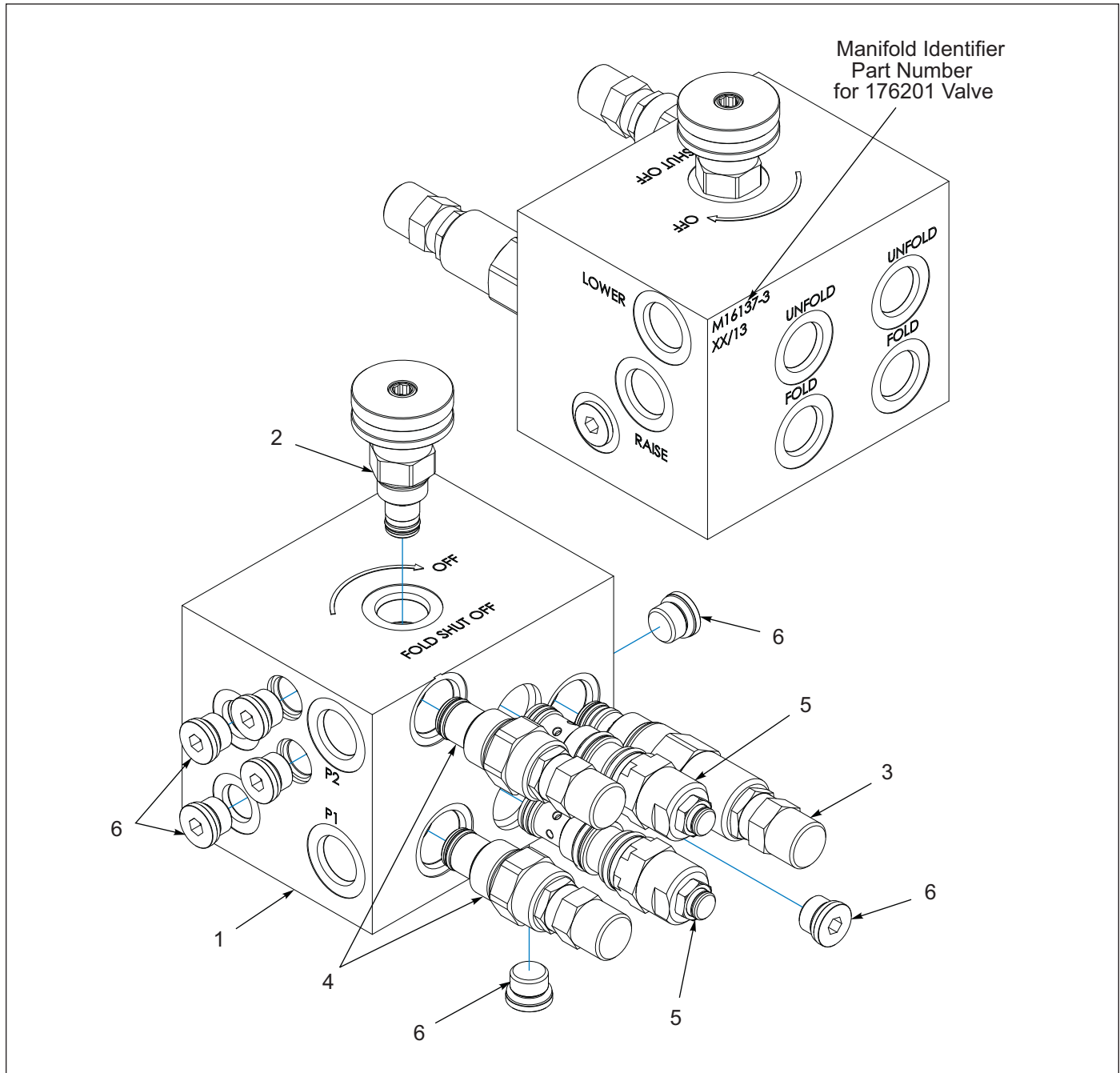


Figure 1-49: Manifold - 176201

Manifold - 176201

ITEM	PART NUMBER	DESCRIPTION	QTY
	176201	MANIFOLD (M16137-3)	1
1	175162	MANIFOLD, SEQUENCING	1
2	175158	VALVE, #8 NEEDLE	1
3	175159	VALVE, #10RELIEF P.O.W/REV CHECK	1
4	175160	FLOW CONTROL	2
5	175161	VALVE, C'BAL,T-11A,3:1 1200PSI	2
6	148988	PLUG SAE M O-RING BOSS, HX SKT	7

## Manifold - 181527

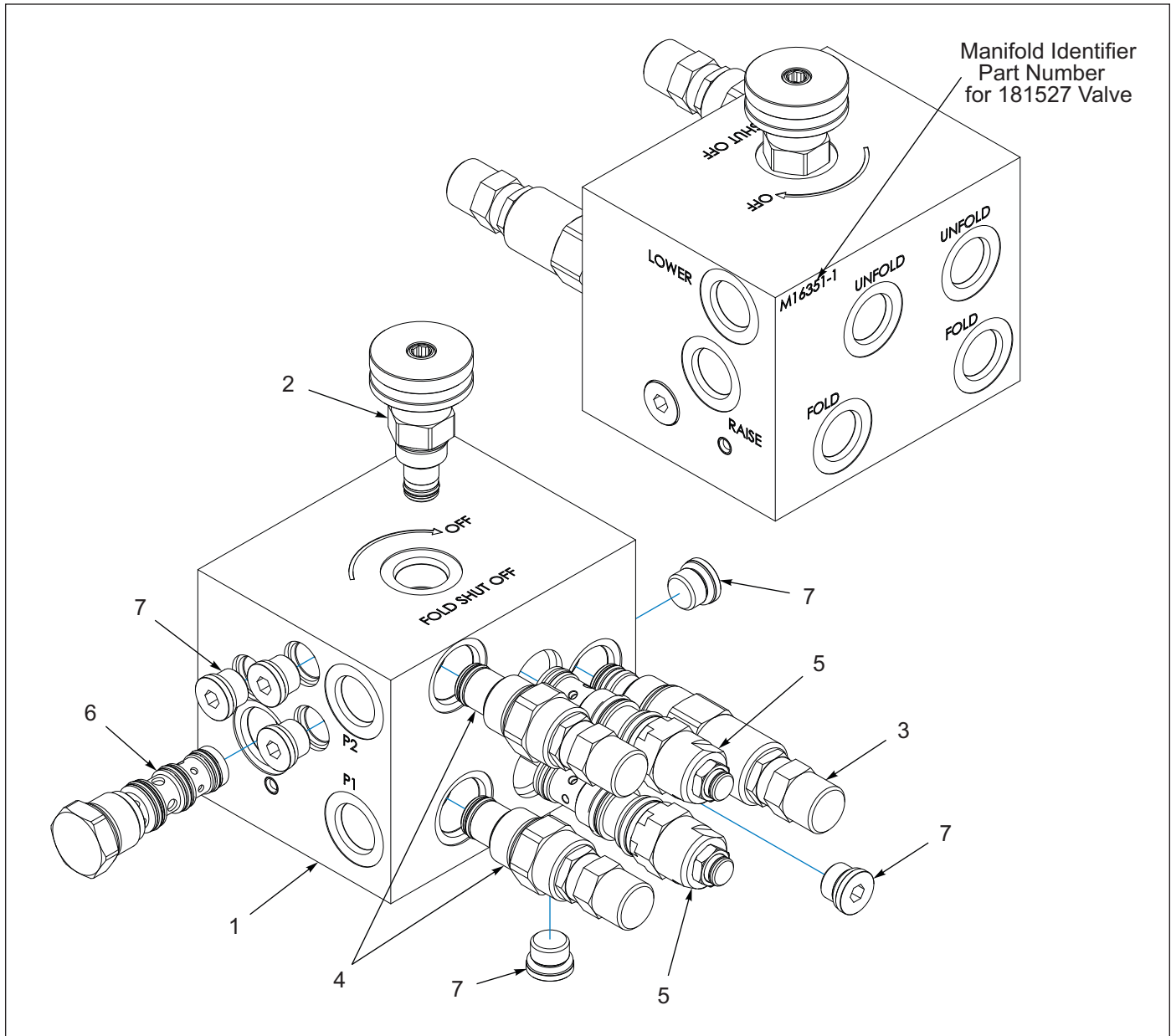


Figure 1-50: Manifold - 181527

## Manifold - 181527

ITEM	PART NUMBER	DESCRIPTION	QTY
	181527	MANIFOLD, WFP38/52 W/FLOW DVDR (M16351-1)	1
1	183662	MANIFOLD, SEQUENCE W/FD	1
2	175158	VALVE, #8 NEEDLE	1
3	175159	VALVE, #10 RELIEF P.O.W/REV CHECK	1
4	175160	FLOW CONTROL	2
5	175161	VALVE, C BAL, T-11A, 3:1 1200PSI	2
6	183663	CARTRIDGE, FLOW DIVIDR/COMBINR	1
7	148988	PLUG SAE M O-RING BOSS, HX SKT	6
8	183664	SEAL KIT FOR VALVE 181527 (INCLUDES SEALS FOR EACH CARTRIDGE AND O-RING PLUG)	1

# Electrical Layout

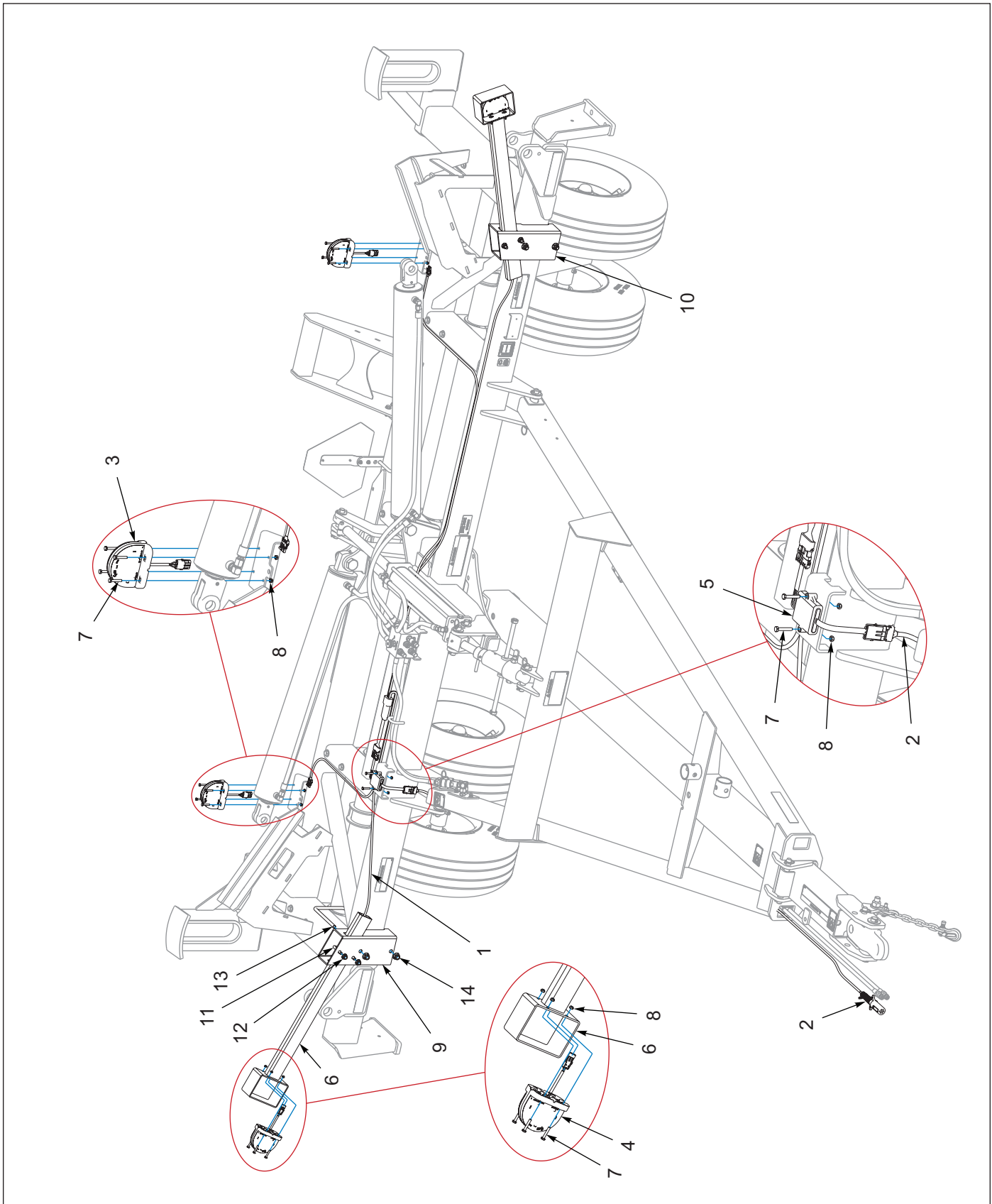


Figure 1-51: Electrical Layout

## Electrical Layout

ITEM	PART NUMBER	DESCRIPTION	QTY
1	175151	HARNESS, LED WARNING LIGHTS	1
2	175152	HARNESS, 7 PIN/4 PIN WP (25FT LG) (20FT DRAWBAR)	1
2	174438	HARNESS, MAIN WARNING LIGHTS (33FT LG) (24FT DRAWBAR)	1
3	174435	LAMP, AG RED SINGLE LED	2
4	174436	LAMP, AG AMBER SINGLE LED	2
5	174437	MODULE, AG FLASHER CONTROL	1
6	202812	BRACKET WLDMT, WARMING LAMP (WFP38-46)	2
6	200894	BRACKET WLDMT, WARMING LAMP (WFP50-52)	2
7	1-654-010047-08	SCREW, HX CP, 1/4-20UNC X 1-1/2, G5	18
8	1-512-010005-01	NUT, HEX, SLFLKG GRB 1/4-20	18
9	200896	BRACKET, RH WARNING LAMP	1
10	200898	BRACKET, LH WARNING LAMP	1
11	179348	U-BOLT, 1/2-13 X 3-1/2 X 3, ZP	2
12	2P253	NUT, FLANGE NY-LOK, 1/2-13	4
13	149192	U-BOLT, 6-11/16 CENTERS X 8-1/2	2
14	2P254	NUT, FLANGE NY-LOK 5/8-11	4
15	105-0228	TYWRAP 8IN LG TY-52772MX (NOT SHOWN)	24
16	105874	TIE, STRAP PLASTIC 21.5-24 X.301 (NOT SHOWN)	18

### Electrical Schematic, LED (After 04/2013)

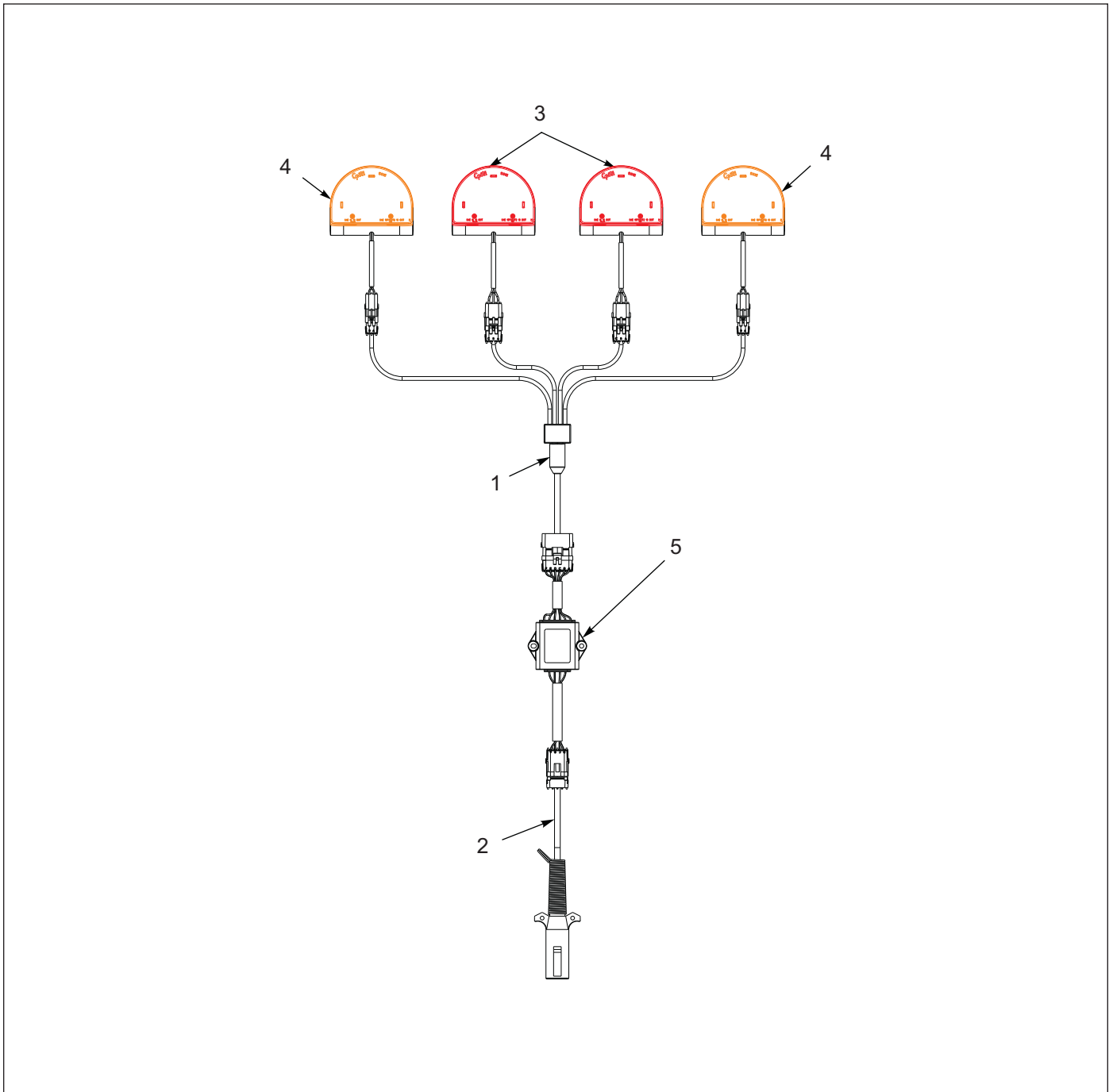


Figure 1-52: Electrical Schematic, LED (After 04/2013)

### Electrical Schematic, LED (After 04/2013)

ITEM	PART NUMBER	DESCRIPTION	QTY
1	175151	HARNESS, LED WARNING LIGHTS	1
2	175152	HARNESS 7PIN/4 PIN WR (25FT LG) (20FT DRAWBAR)	1
2	174438	HARNESS, MAIN WARNING LIGHTS (33FT LG) (24FT DRAWBAR)	1
3	174435	LAMP, AG RED SINGLE LED	2
4	174436	LAMP, AG AMBER SINGLE LED	2
5	174437	MODULE, AG FLASHER CONTROL	1



**Electrical Schematic (Before 04/2013)**

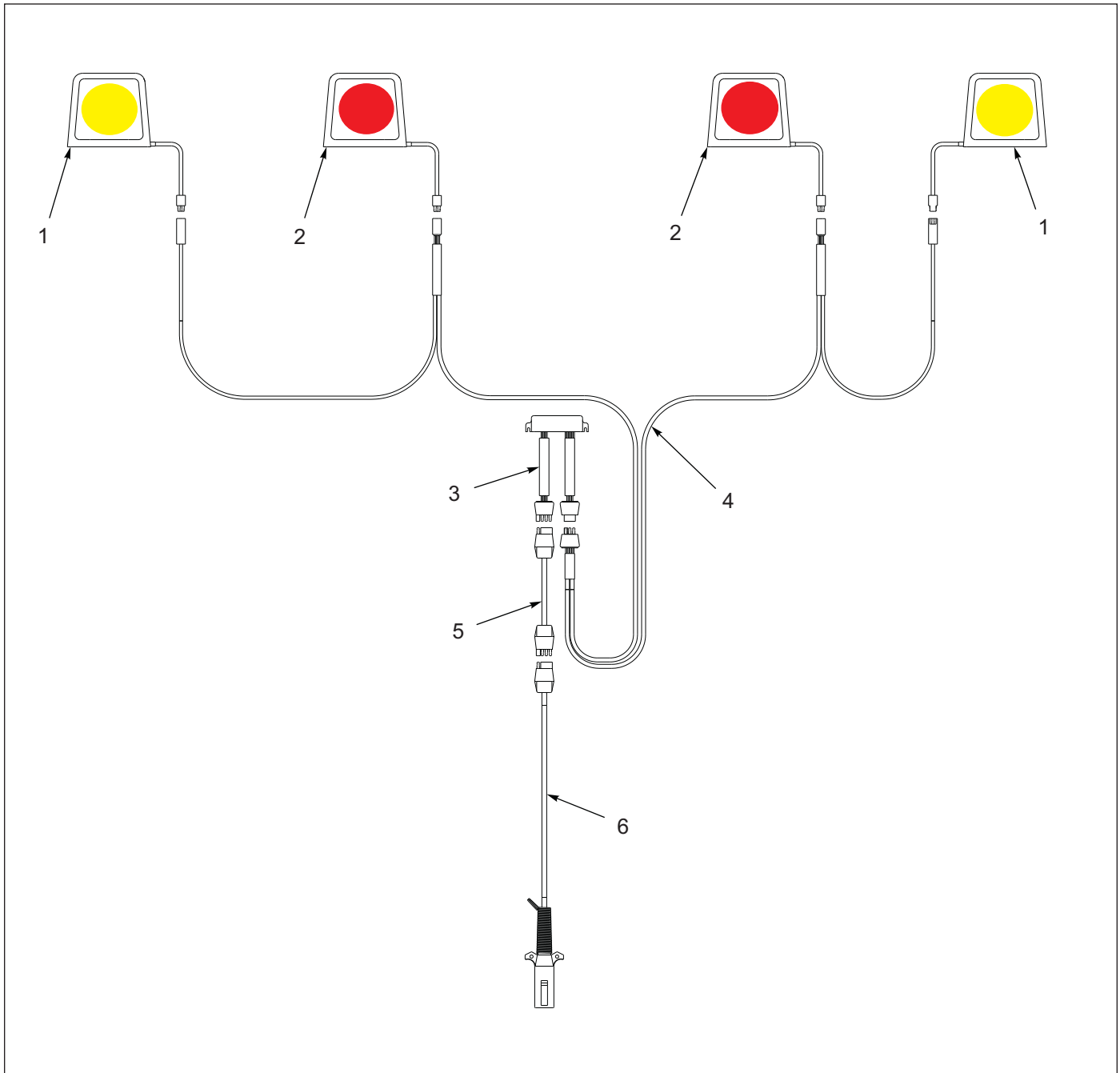


Figure 1-53: Electrical Schematic (Before 04/2013)

**Electrical Schematic (Before 04/2013)**

ITEM	PART NUMBER	DESCRIPTION	QTY
1	8K659	AMBER LIGHT (SINGLE AG)	2
2	8K660	RED LIGHT (SINGLE AG)	2
3	8K661	LIGHT MODULE (109812)	1
4	8K663	EXTENSION WISHBONE (1415013) (HARNESS)	1
5	1P328	AG HARNESS EXT 12FT-6"	1
6	4K864	AG HARNESS - 25FT (002425)	1
7	105-0228	TY-WRAP 8IN LG TY-5272MX (NOT SHOWN)	29



# SMV Sign Installation

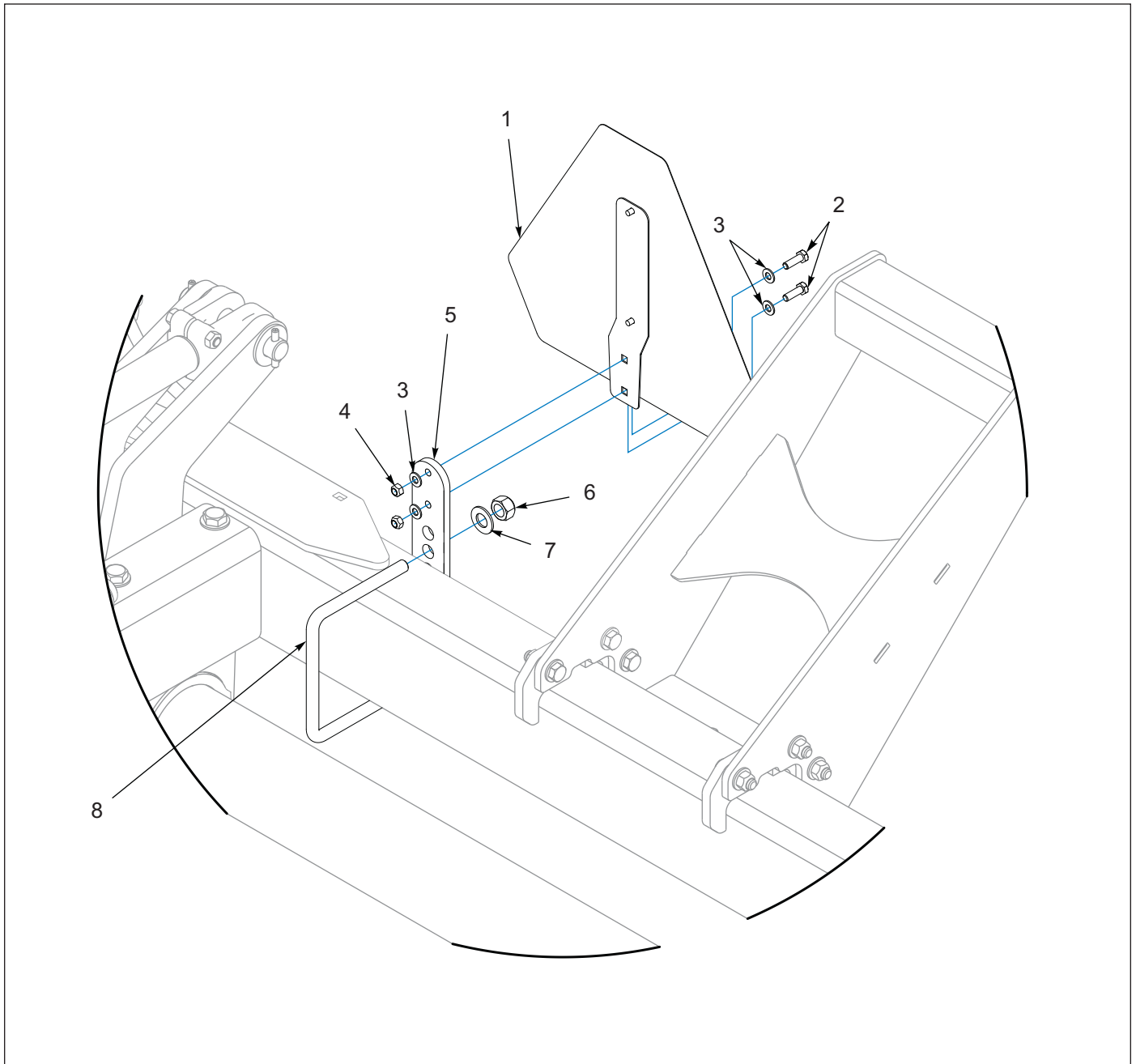


Figure 1-54: SMV Sign Installation

## SMV Sign Installation

ITEM	PART NUMBER	DESCRIPTION	QTY
1	2P151	SMV W/BRACKET	1
2	1-654-010049-05	SCREW, HX CP 5/16-18UNC X 1, GR5	2
3	1-861-010032-08	WASHER, FLAT 5/16, ZP	4
4	1-512-010005-03	NUT HEX, SLFLKG GRB 5/16-18	2
5	164678	MOUNT, SMV	1
6	1-512-010005-13	NUT, HEX SLFLKG GRB, 5/8-11	2
7	1-861-010032-18	WASHER, FLAT 5/8 N, ZP/CD	2
8	2-102-010032	U BOLT, CENTER SHANK MT	1

# Acre Meter Kit - Optional

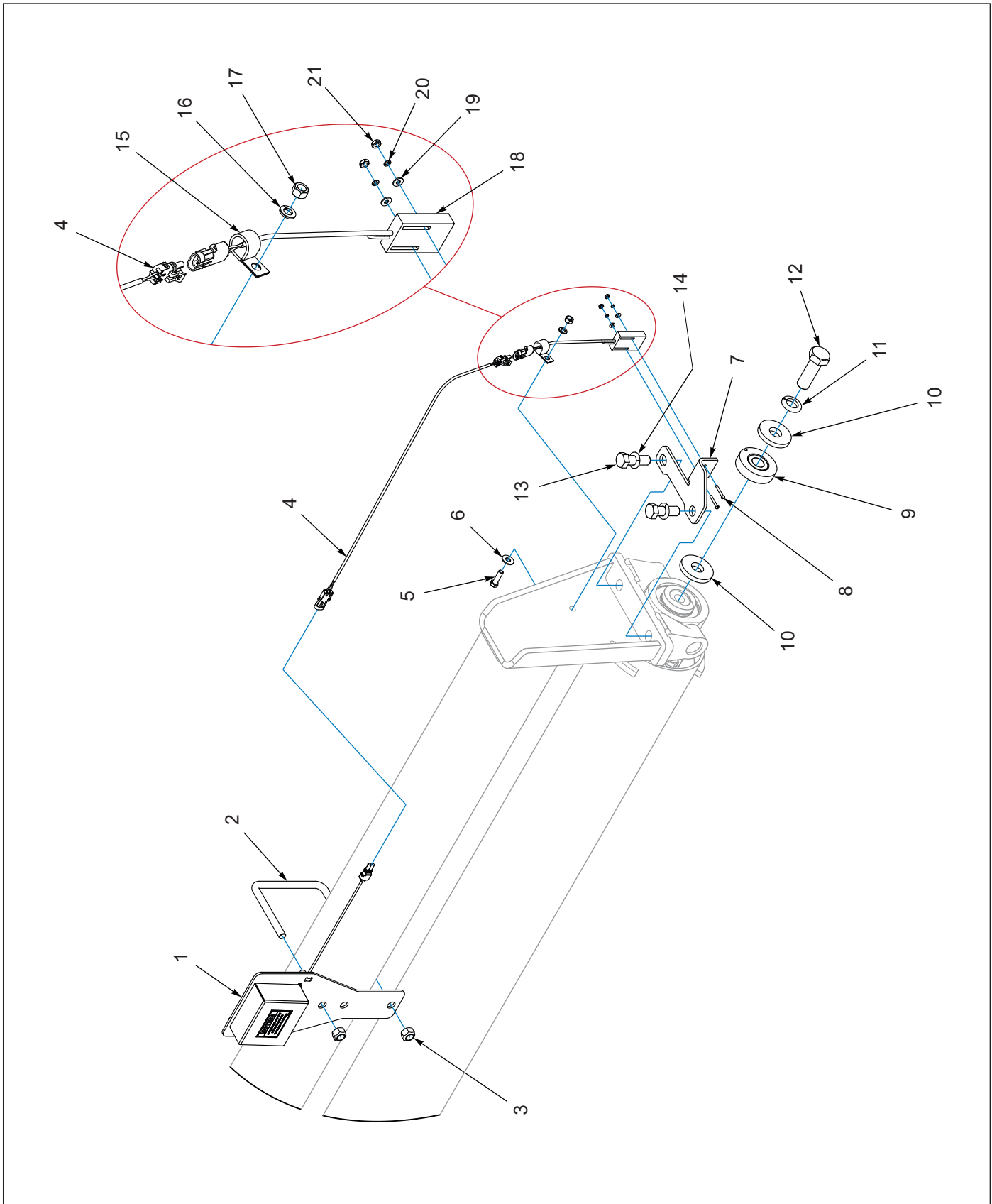


Figure 1-55: Acre Meter Kit - Optional

## Acre Meter Kit - Optional

ITEM	PART NUMBER	DESCRIPTION	QTY
1	184483	ACRE METER ASM ( <b>SEE PAGE 1-82</b> )	1
2	9D989	U-BOLT, 5/8-11 X 5-5/8 X 4-11/16	1
3	1-512-010005-13	NUT, HEX SLFLKG GRB 5/8-11	2
4	165622	HARNESS-MAKEUP, ACRE METER	1
5	1-654-010051-06	SCREW, HEX CAP 3/8-16UNC X 1-1/4	1
6	1-861-010032-11	WASHER, FLAT 3/8 W, ZP/CD	1
7	184478	BRACKET, ACRE METER PICKUP	1
8	5K262	ROUND HEAD MACHINE SCREW	2
9	184481	MAGNET WHEEL ASM	1
10	154185	WASHER, 3/8 THICK 1" ID ( <b>ONE IS EXISTING HARDWARE</b> )	2
11	1-861-010034-21	WASHER, LKG HEL SPRG 1IN ( <b>EXISTING HARDWARE</b> )	1
12	3J608	BOLT, 1-8 X 3	1
13	1-654-010061-06	SCREW, HXCP, 3/4-10UNC X 2-1/4, GR5 ( <b>EXISTING HARDWARE</b> )	2
14	1-861-010034-17	WASHER, LKG, HCL SPR, 3/4 ( <b>EXISTING HARDWARE</b> )	2
15	3J614	HOSE CLAMP	1
16	1-861-010034-11	WASHER, LKG HLCL SPR, 3/8	1
17	1-512-010007-07	NUT, HEX 3/8-16, ZP	1
18	153862	SWITCH ASSY, ELECTRONIC ACRE	1
19	1-861-010032-02	WASHER, FL #8, ZP/CD	2
20	118-5098	#8 LOCK WASHER, ZP	2
21	1-512-010007-02	NUT, HEX 8-32, ZP	2

### Acre Meter Assembly - Optional

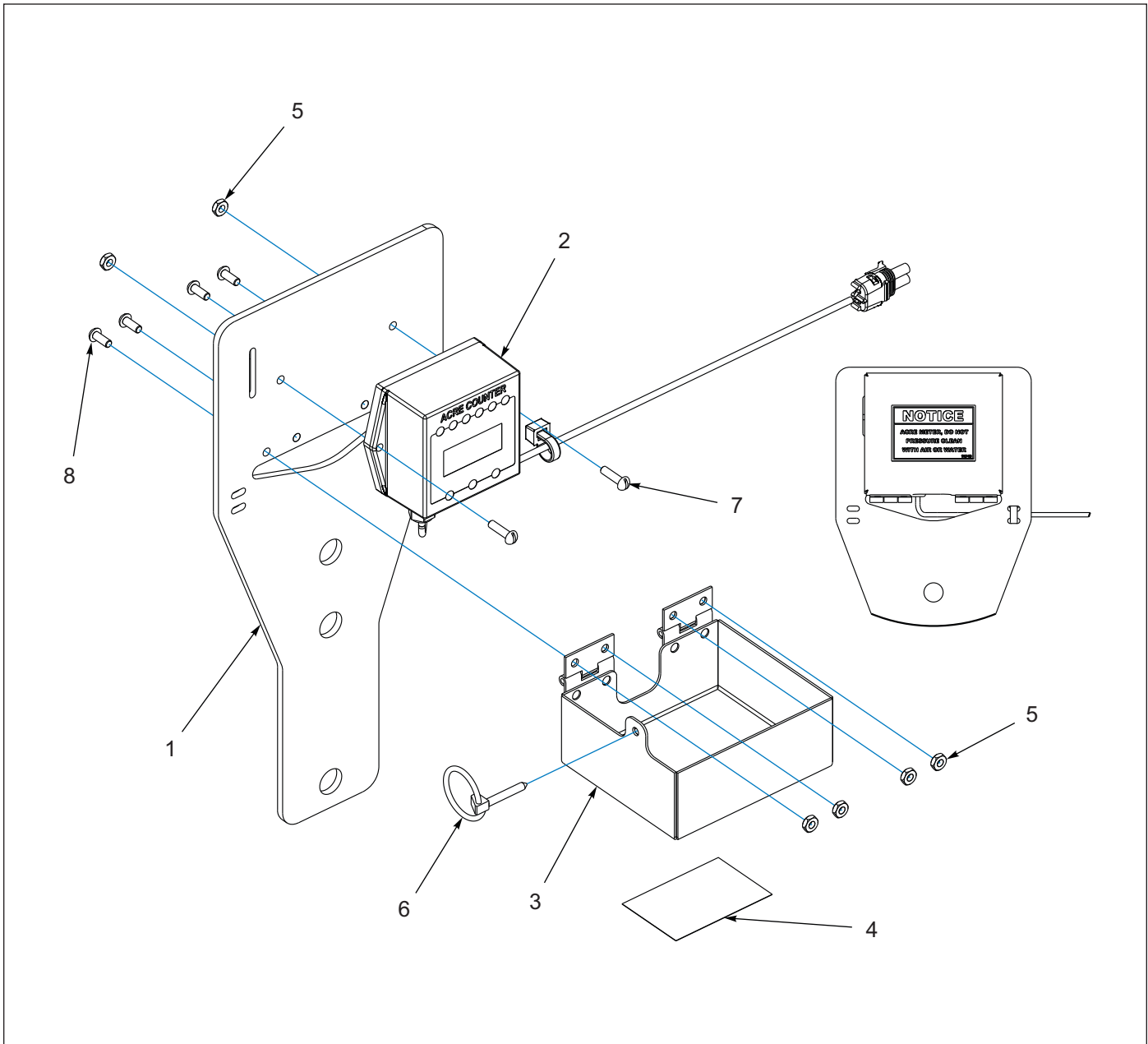


Figure 1-56: Acre Meter Assembly - Optional

### Acre Meter Assembly - Optional

ITEM	PART NUMBER	DESCRIPTION	QTY
	184483	ACRE METER ASM	1
1	184482	BRACKET, ACRE METER	1
2	170948	CONSOLE, ELECTRONIC ACRE	1
3	170946	COVER-ACRE METER	1
4	9K740	DECAL, ACRE METER	1
5	1-512-010007-03	NUT, HEX 10-24	6
6	5D129	KLIK PIN	1
7	1-656-010003051	SCREW, RH HD MACH 10-24 X 3/4	2
8	1C213	STOVE BOLT, #10-24 X 1/2 RD HD, ZP	4

### Float Lock Kit - Optional

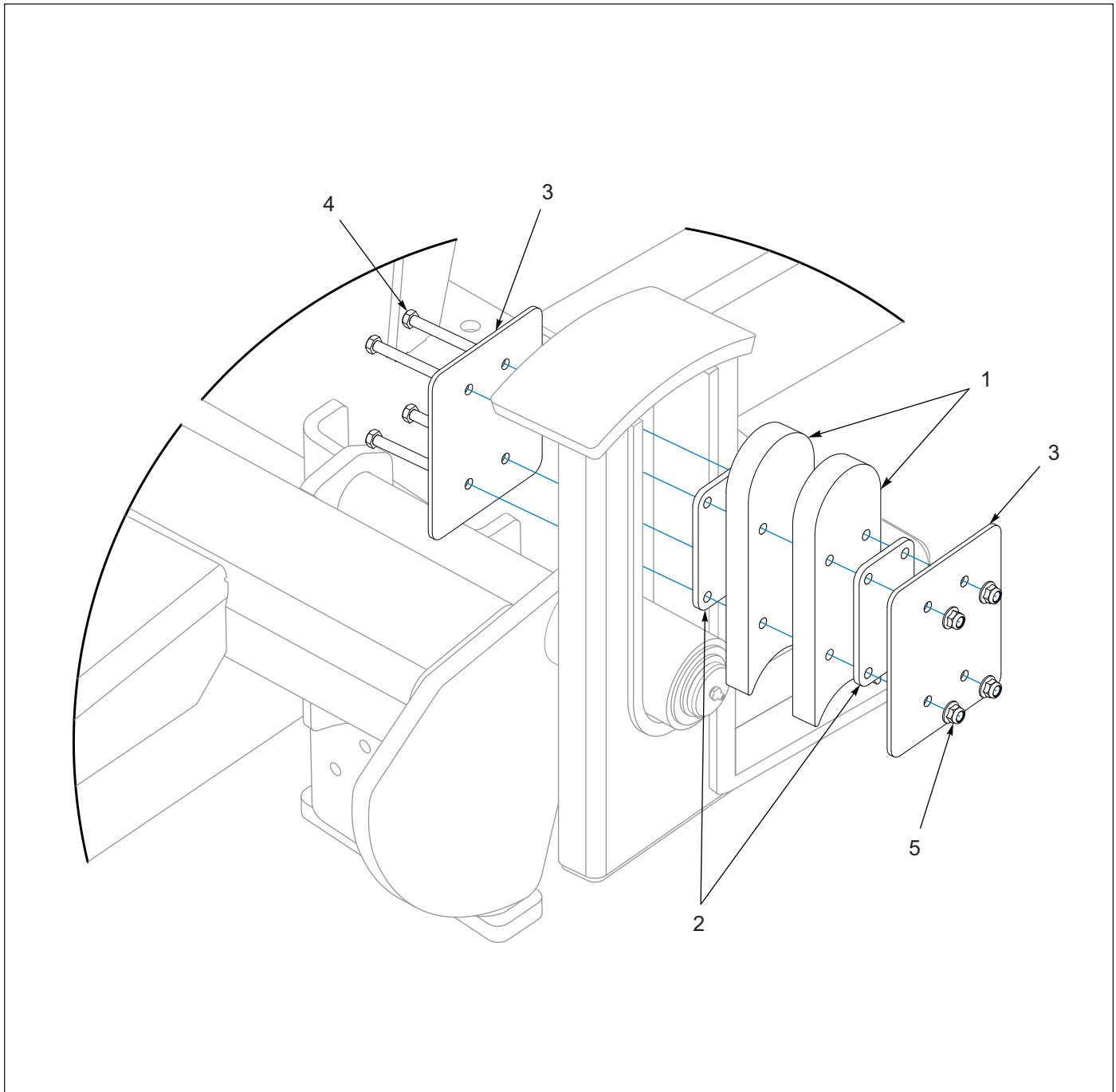


Figure 1-57: Float Lock Kit - Optional

### Float Lock Kit - Optional

ITEM	PART NUMBER	DESCRIPTION	QTY
	168356	KIT, WFP FLOAT LOCK	1
1	164667	STOP, WING FLOAT	4
2	175189	SPACER,FLOAT LOCK	4
3	164668	PLATE, WING FLOAT STOP	4
4	141807	SCREW, 3/8-16UNC X 3-1/2, ALLTHRD	8
5	2P252	NUT, FLANGE NY-LOK 3/8-16	8

### Clamp End Spacer Kits, 1/2" - 3/4" - Optional

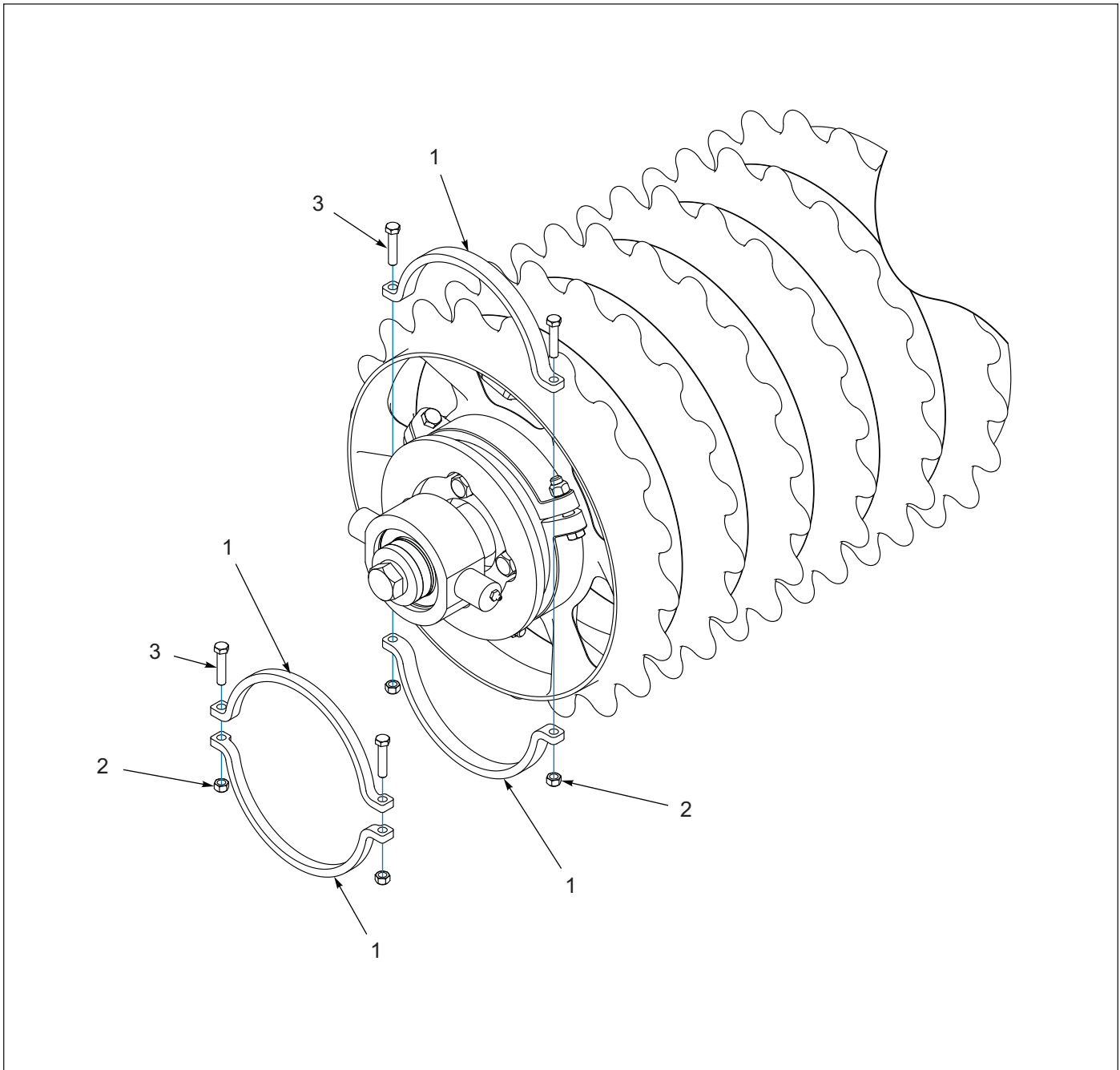


Figure 1-58: Clamp End Spacer Kits, 1/2" - 3/4" - Optional

### Clamp End Spacer Kits, 1/2" - 3/4" - Optional

ITEM	PART NUMBER	DESCRIPTION	QTY	
			1/2"	3/4"
	201443	KIT, 1/2" CLAMP END SPACER	--	--
	201442	KIT, 3/4" CLAMP END SPACER	--	--
1	185141	AXLE SPACER, 1/2"	2	--
1	185142	AXLE SPACER, 3/4"	--	2
2	1-512-010005-05	NUT, HEX SLFLKG GRB 3/8-16	2	2
3	1-654-010051-08	SCREW, HEX CAP, 3/8-16 X 1-3/4	2	2



### Clamp End Spacer Kit, 1", 1-1/4" and 1-1/2" - Optional

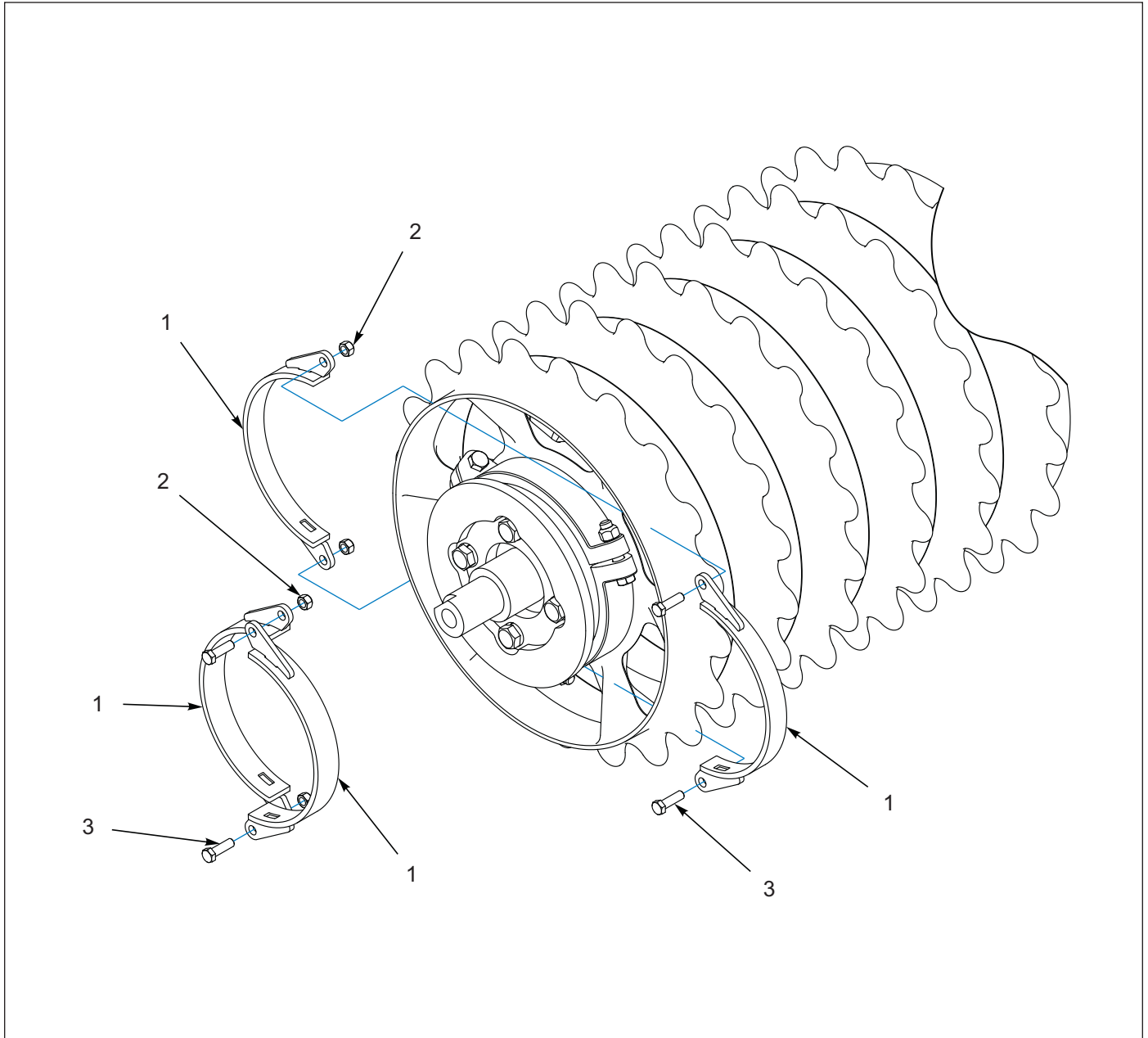


Figure 1-59: Clamp End Spacer Kits, 1", 1-1/4" and 1-1/2" - Optional

### Clamp End Spacer Kit, 1", 1-1/4" and 1-1/2" - Optional

ITEM	PART NUMBER	DESCRIPTION	QTY		
			1"	1-1/4"	1-1/2"
	204831	KIT, 1" CLAMP END SPACER	1	--	--
	204832	KIT, 1-1/4" CLAMP END SPACER	--	1	--
	204833	KIT, 1-1/2" CLAMP END SPACER	--	--	1
1	204835	AXLE SPACER, 1"	2	--	--
1	204836	AXLE SPACER, 1-1/4"	--	--	--
1	204837	AXLE SPACER, 1-1/2"	--	--	--
2	1-512-010005-05	NUT, HEX SLFLKG GRB 3/8-16	2	2	2
3	1-654-010051-05	SCREW, HEX CAP, 3/8-16 X 1, GR5	2	2	2

ILLUSTRATED PARTS LIST

Hydraulic Cylinder, 4 x 20

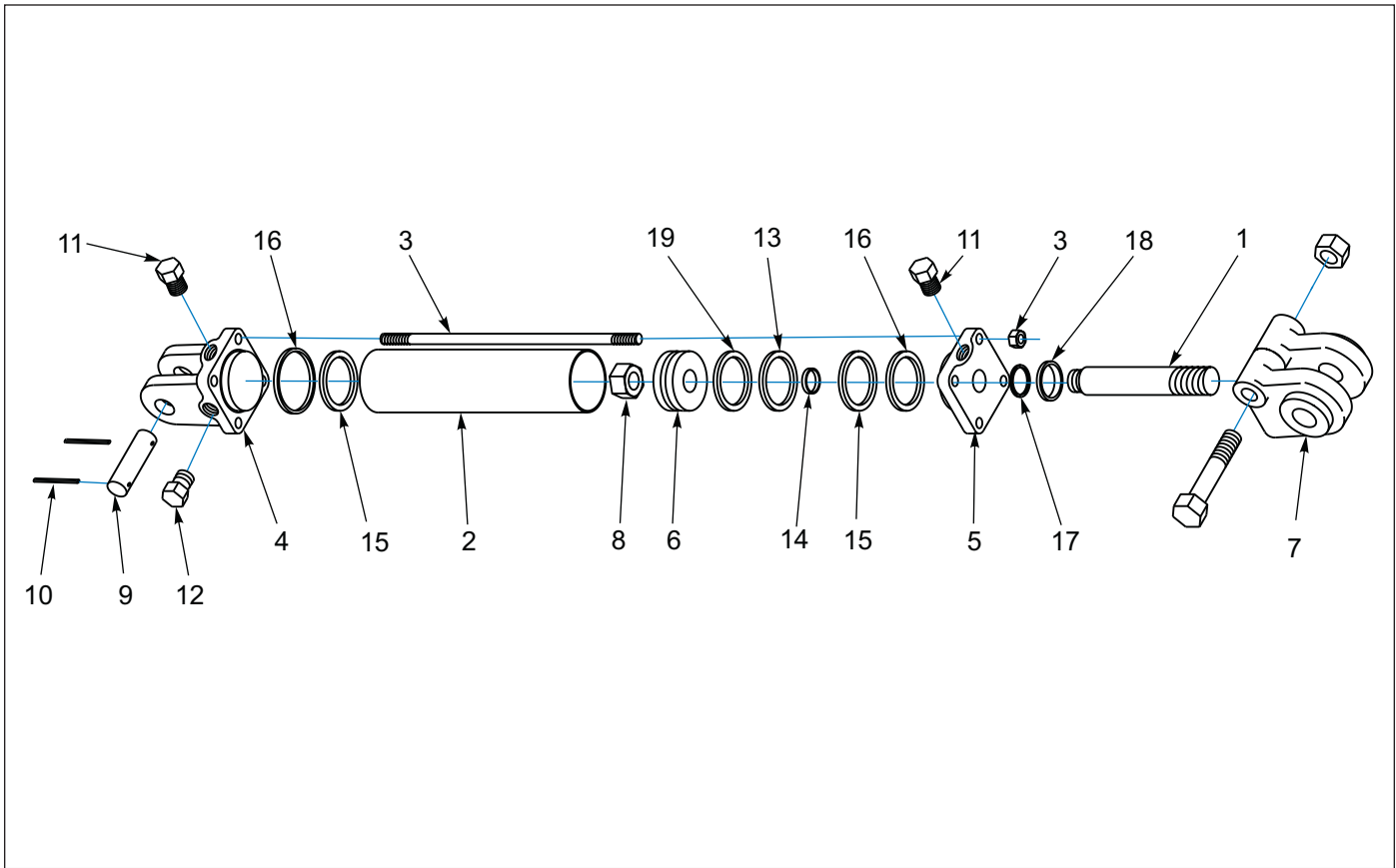


Figure 1-60: Hydraulic Cylinder, 4 x 20

Hydraulic Cylinder, 4 x 20

ITEM	PART NUMBER	DESCRIPTION	QTY
	1-242-010180-3	CYLINDER, HYD 4 X 20STRK 3000PSI	1
1	011000323	PISTON ROD 4 X 20 SAE34020	1
2	-----	TUBE	1
3	-----	TIE ROD ASSY	4
4	-----	BUTT	1
5	-----	GLAND ASSY	1
6	-----	PISTON	1
7	-----	CLEVIS ASSY	1
8	-----	LOCKNUT	1
9	111790	PIN,CLEVIS #190400104 1500	2
10	111789	PIN,ROLL #190100057 1500	4
11	-----	PLASTIC PLUG	2
12	-----	PORT PLUG	1
13	-----	CROWN SEAL	1
14	-----	O-RING	1
15	-----	O-RING	2
16	-----	BU-WASHER	2
17	-----	U-CUP	1
18	-----	WIPER	1
19	-----	BEARING RING	1
20	1-242-010178-3	CYLINDER PKG KIT 3000 PSI 4" (INCLUDES ITEMS 13-19)	1

### Hydraulic Cylinder, 5 x 42 - Carlson Hydraulics

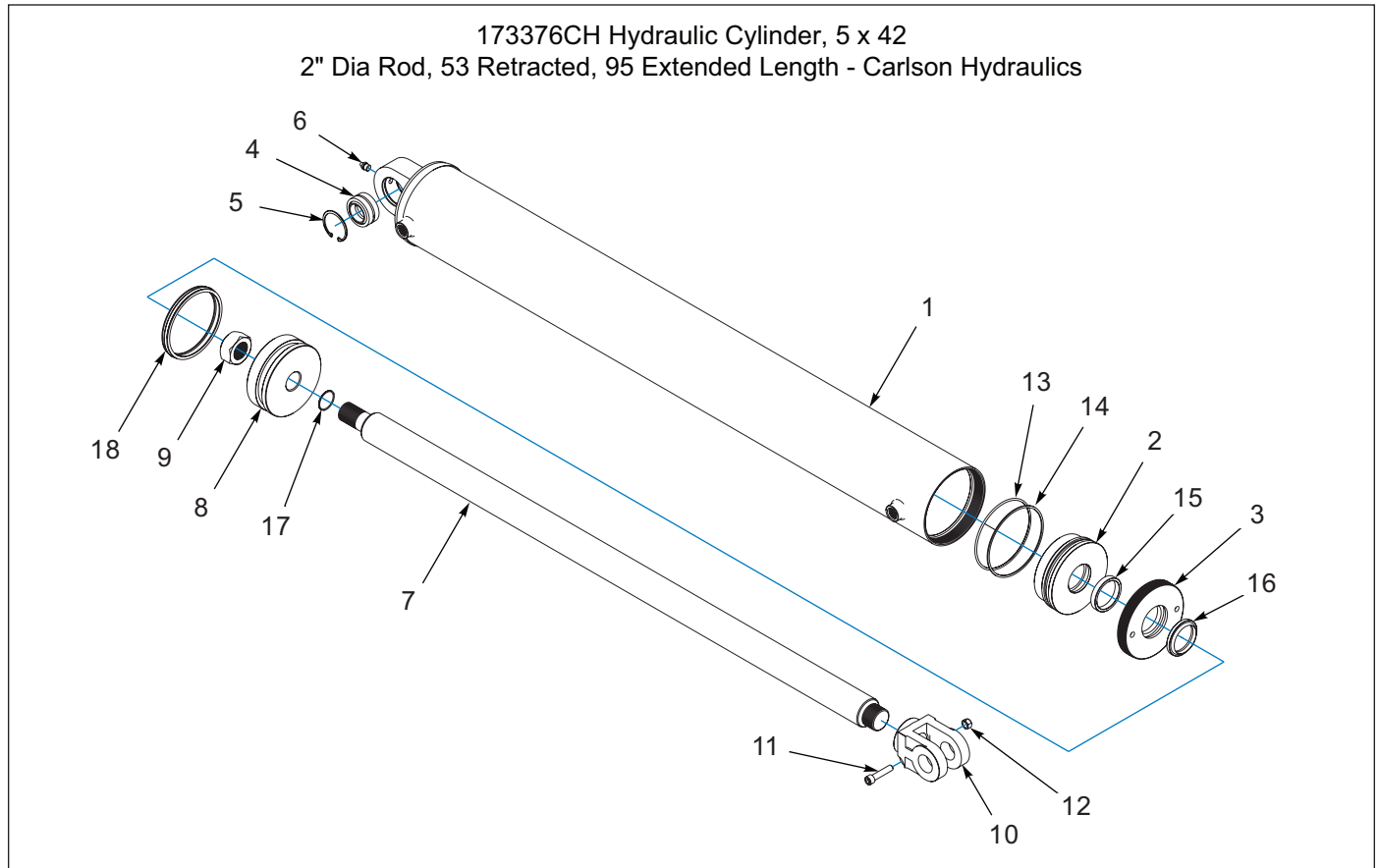


Figure 1-61: Hydraulic Cylinder, 5 x 42 - Carlson Hydraulics

### Hydraulic Cylinder, 5 x 42 - Carlson Hydraulics

ITEM	PART NUMBER	DESCRIPTION	QTY
	173376	HYD CYLINDER, 5 X 42 (WFP38-46)	1
1	-----	BARREL,CYL WELDED	1
2	-----	ROD GLAND	1
3	-----	CAP,ROD GLAND	1
4	173404	SPHERICAL BEARING,1-1/4	1
5	173403	RETAINING RING,N5000-200	1
6	5000	ZERK FITTING 1/8NPT	1
7	-----	PISTON ROD	1
8	-----	PISTON	1
9	-----	LOCKNUT,1.25-12	1
10	248384	ROD CLEVIS ASSEMBLY (INCLUDES ITEMS 11-12)	1
11	111482	SCREW,HEX SKT 3/8-16UNCX1-3/4	1
12	1-512-010007-07	NUT,HEX 3/8-16 ZP	1
13	-----	O-RING	1
14	-----	BU WASHER	1
15	-----	U-CUP	1
16	-----	WIPER	1
17	-----	O-RING	1
18	-----	CROWN SEAL	1
19	248385	SEAL KIT,CARLSON CYL 173376CH (INCLUDES ITEMS 13-18)	1

ILLUSTRATED PARTS LIST

Hydraulic Cylinder, 5 x 42 - Lion

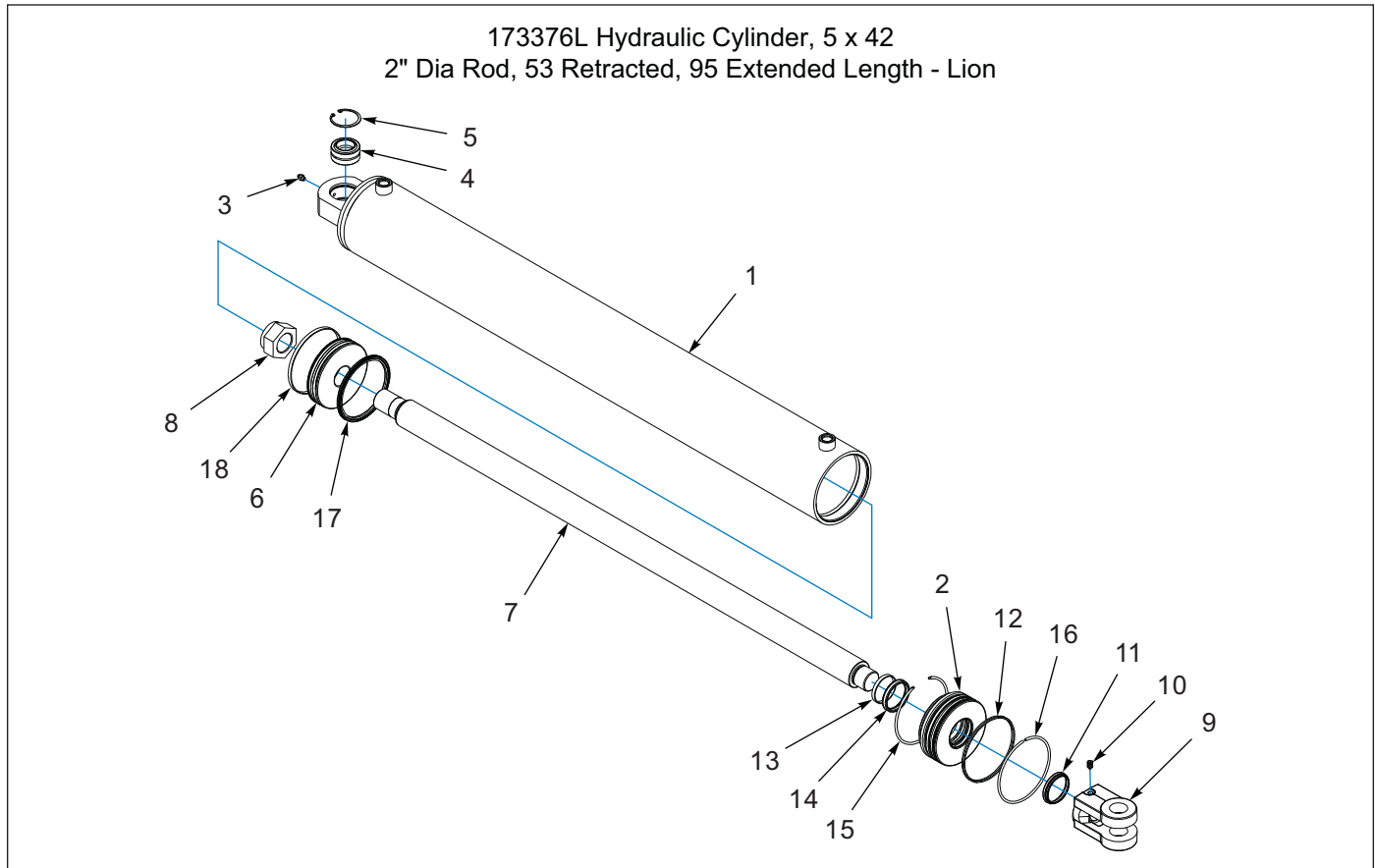


Figure 1-62: Hydraulic Cylinder, 5 x 42 - Lion

Hydraulic Cylinder, 5 x 42 - Lion

ITEM	PART NUMBER	DESCRIPTION	QTY
	173376	HYD CYLINDER, 5X42 (WFP38-46)	1
1	-----	TUBE WELDT 5.00-42.00-RR-W	1
2	-----	CYLINDER HEAD 5.00-2.00-RR-TSS	1
3	1-298-010001-1	ZERK FITTING 1/4 SAE	1
4	173404	SPHERICAL BEARING,1-1/4	1
5	173403	RETAINING RING, N5000-200	1
6	-----	PISTON 5.00-1.500-TSS-ISO-WR	1
7	-----	ROD CYL 2.00-42.00-1.50-1.50	1
8	-----	NUT HEX 1-1/2-12UNF LOCK GR	1
9	2P739	CLEVIS 1.25PIN X 1.5 X 2.75 (INCLUDES ITEM 10)	1
10	1P443	SET SCREW, 3/8-16 X 1/2 NYL	1
11	-----	SEAL WIPER 2.00 WNUC TSS	1
12	-----	SEAL DUAL 5.00 Z20 PU	1
13	-----	WEAR RING 2.12-2.00-0.250	1
14	-----	SEAL ZURCON U-CUP RU9 2.00	1
15	-----	RETAINING RING INTERNAL 5.00	1
16	-----	RETAINING RING EXTERNAL 5.00	1
17	-----	SEAL SURCON WYNSEAL 5.00"-IS	1
18	-----	WEAR RING 5.00-4.88-0.250	1
19	173405	SEAL KIT (INCLUDES ITEMS 11-18)	1

### Hydraulic Cylinder, 5-1/2 x 42 - Lion

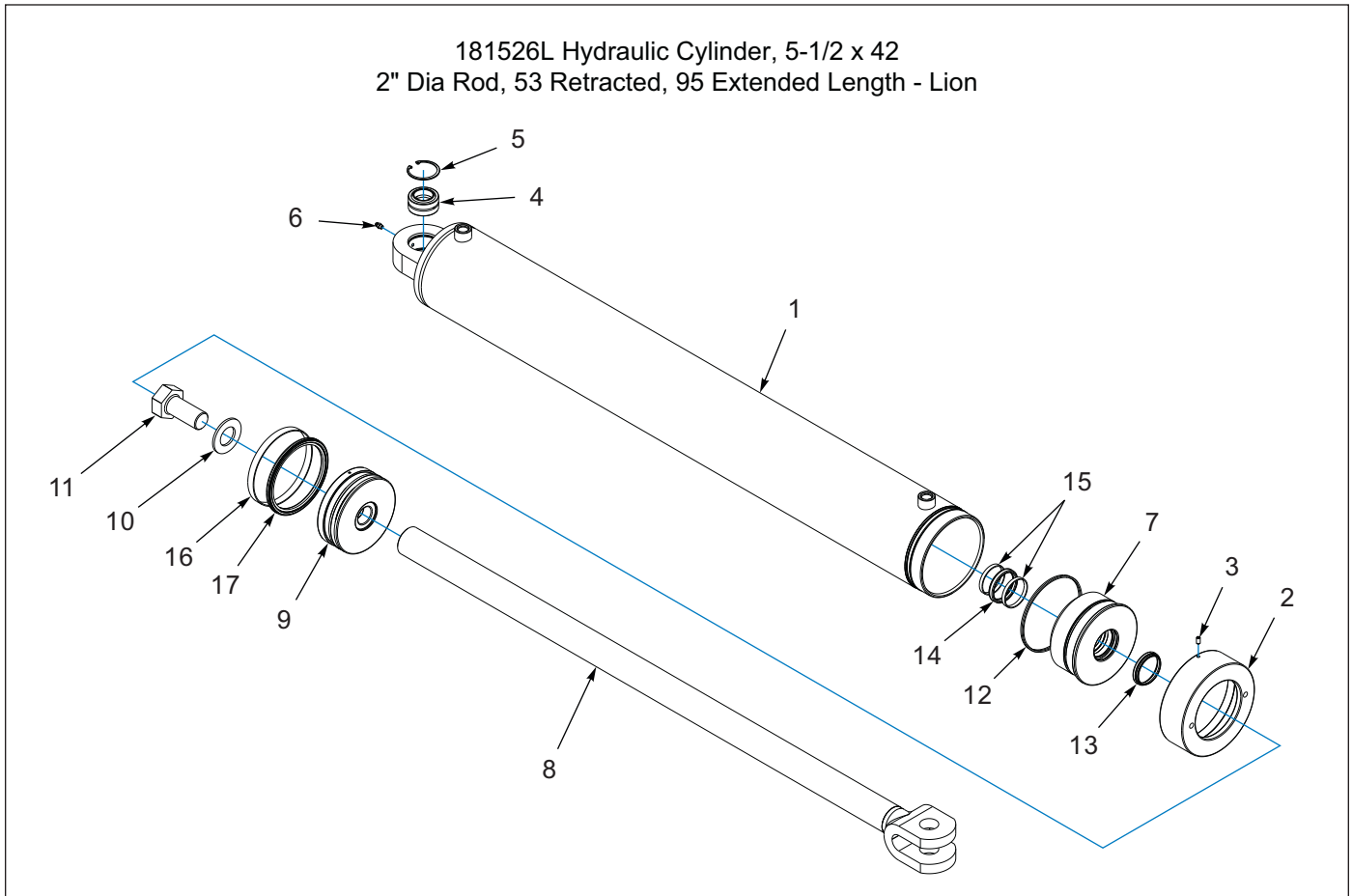


Figure 1-63: Hydraulic Cylinder, 5-1/2 x 42 - Lion

### Hydraulic Cylinder, 5-1/2 x 42 - Lion

ITEM	PART NUMBER	DESCRIPTION	QTY
	181526	HYD CYLINDER,5-1/2 X 42 (WFP50-52)	1
1	-----	TUBE WELDT 5.50-42.00	1
2	-----	HEAD NUT 5.50 CAP STYLE	1
3	110-0104	SET SCREW, 1/4-20 X 1/2 FLAT PT	1
4	173404	SPHERICAL BEARING,1-1/4	1
5	173403	RETAINING RING,N5000-200	1
6	1-298-010001-1	FIT, GREASE 1/4-28 TAPER	1
7	-----	CYL HEAD 5.50-2.50-SF-TSS-WR	1
8	-----	ROD WELDT 2.00-42.00	1
9	-----	PISTON 5.5-1.25-TSS-WR-BOLT	1
10	-----	WASHER, 2.50-1.375-.165 HARDEN	1
11	-----	SCREW 1.25-12UNF X 2.50L GR8	1
12	-----	SEAL DUAL 5.5 Z20 PU	1
13	-----	SEAL WIPER 2.00 SNAP IN DA24	1
14	-----	SEAL SURCON U-CUP RU9 2.00	1
15	-----	WEAR RING 2.12-2.00-0.250	2
16	-----	WEAR RING 5.50-5.25-0.500	1
17	-----	SEAL ZURCON WYNSEAL 5.50	1
18	183661	LION CYL SEAL KIT FOR 181526 (INCLUDES ITEMS 12-17)	1

ILLUSTRATED PARTS LIST

Hydraulic Cylinder, 5-1/2 x 42 - Wetherell

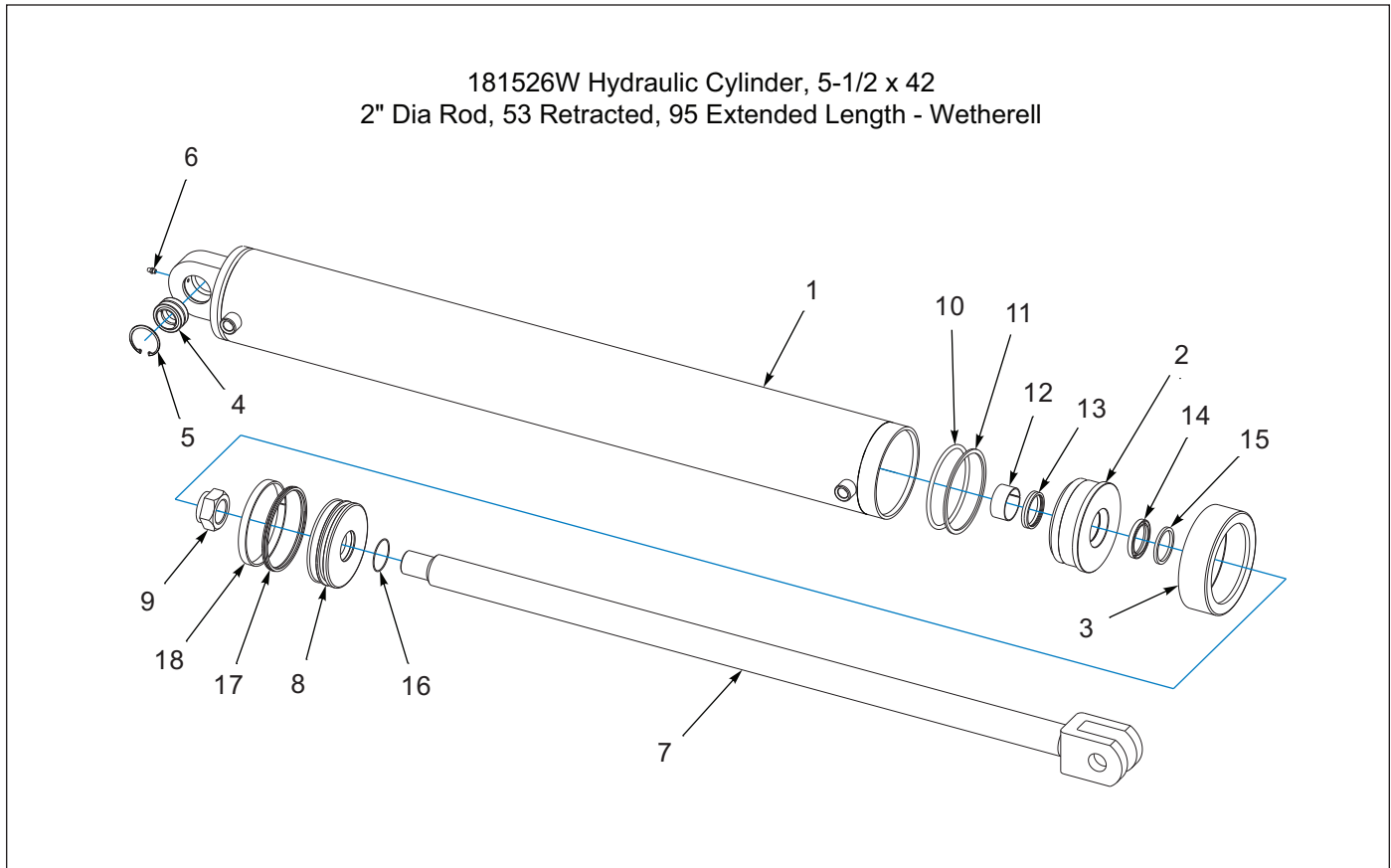


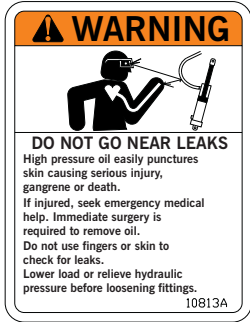
Figure 1-64: Hydraulic Cylinder, 5-1/2 x 42 - Wetherell

Hydraulic Cylinder, 5-1/2 x 42 - Wetherell

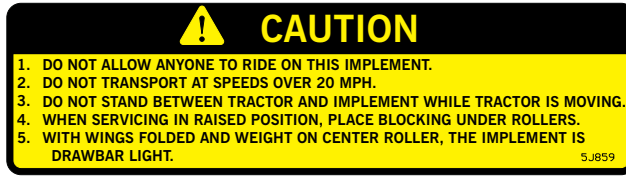
ITEM	PART NUMBER	DESCRIPTION	QTY
	181526	HYD CYLINDER,5-1/2 X 42 (WFP50-52)	1
1	-----	BARREL WELDMENT	1
2	-----	HEAD GLAND	1
3	-----	HEAD GLAND RETAINING RING	1
4	173404	SPHERICAL BEARING,1-1/4	1
5	173403	RETAINING RING,N5000-200	1
6	1-298-010001-1	FIT, GREASE 1/4-28 TAPER	1
7	-----	CYLINDER ROD WLD	1
8	-----	PISTON	1
9	157020	NUT,HEX TOPLOCK 1-1/2-12 GRC	1
10	-----	O-RING,HEAD	1
11	-----	BU WASHER	1
12	-----	ROD WEAR RING	1
13	-----	U-CUP GLAND SEAL	1
14	-----	ROD WIPER SEAL	1
15	-----	ROD SQ O-RING	2
16	-----	O-RING	1
17	-----	PISTON CROWN SEAL	1
18	-----	PISTON WEAR RING	1
19	248386	SEAL KIT,WETHERELL CYL 181526W (INCLUDES ITEMS 10-18)	1



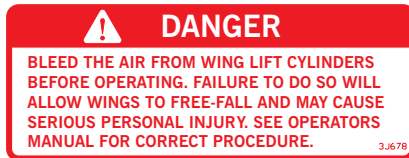
Decals



ITEM 1  
3K706



ITEM 2 - 5J859



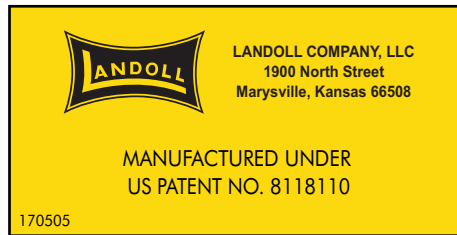
ITEM 3 - 3J678



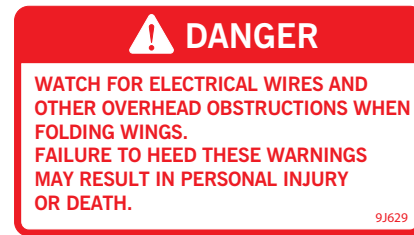
ITEM 4 - 3J675



ITEM 5  
2-573-010198



ITEM 6 - 170505



ITEM 7 - 9J629



ITEM 8  
528933



ITEM 9  
528934



ITEM 10  
528938



ITEM 11 - 170510



ITEM 12  
2P151



ITEM 13  
144193



ITEM 14 - 232188



ITEM 15 - 170509



ITEM 16 - 2P808



ITEM 17 - 1-573-010006

Figure 1-65: Decals



## Decals

ITEM	PART NUMBER	DESCRIPTION	QTY	
			38-46	50-52
		<b>WFP MODEL NUMBERS</b>		
1	3K706	DECAL-WARNING HYDRAULIC LEAKS	3	3
2	5J859	"WARNING" DECAL	1	1
3	3J678	"DANGER" DECAL	5	5
4	3J675	"STAND CLEAR" DECAL	6	6
5	2-573-010198	DECAL, MEMBER FEMA	1	1
6	170505	DECAL, PULVERIZER PATENT	1	1
7	9J629	"DANGER" DECAL	1	1
8	528933	REFLECTOR - RED	2	4
9	528934	REFLECTOR - YELLOW	6	8
10	528938	STRIPE, ORANGE	2	4
11	170510	DECAL,BRILLION LANDOLL	3	3
12	2P151	SMV W/BACKET	1	1
13	144193	DECAL, SIS 20 MPH	1	1
14	232188	DECAL, QR CODE PULVERIZER	1	1
15	170509	DECAL,BRILLION LANDOLL 40"	2	2
16	2P808	DECAL, WFP SERIES	4	4
17	1-573-010006	PLACARD, NAME	1	1
18	107-0814	RIVET 1/8X1/8 A LUM POP ( <b>HARDWARE FOR ITEM 17</b> )	2	2

Decal Locations

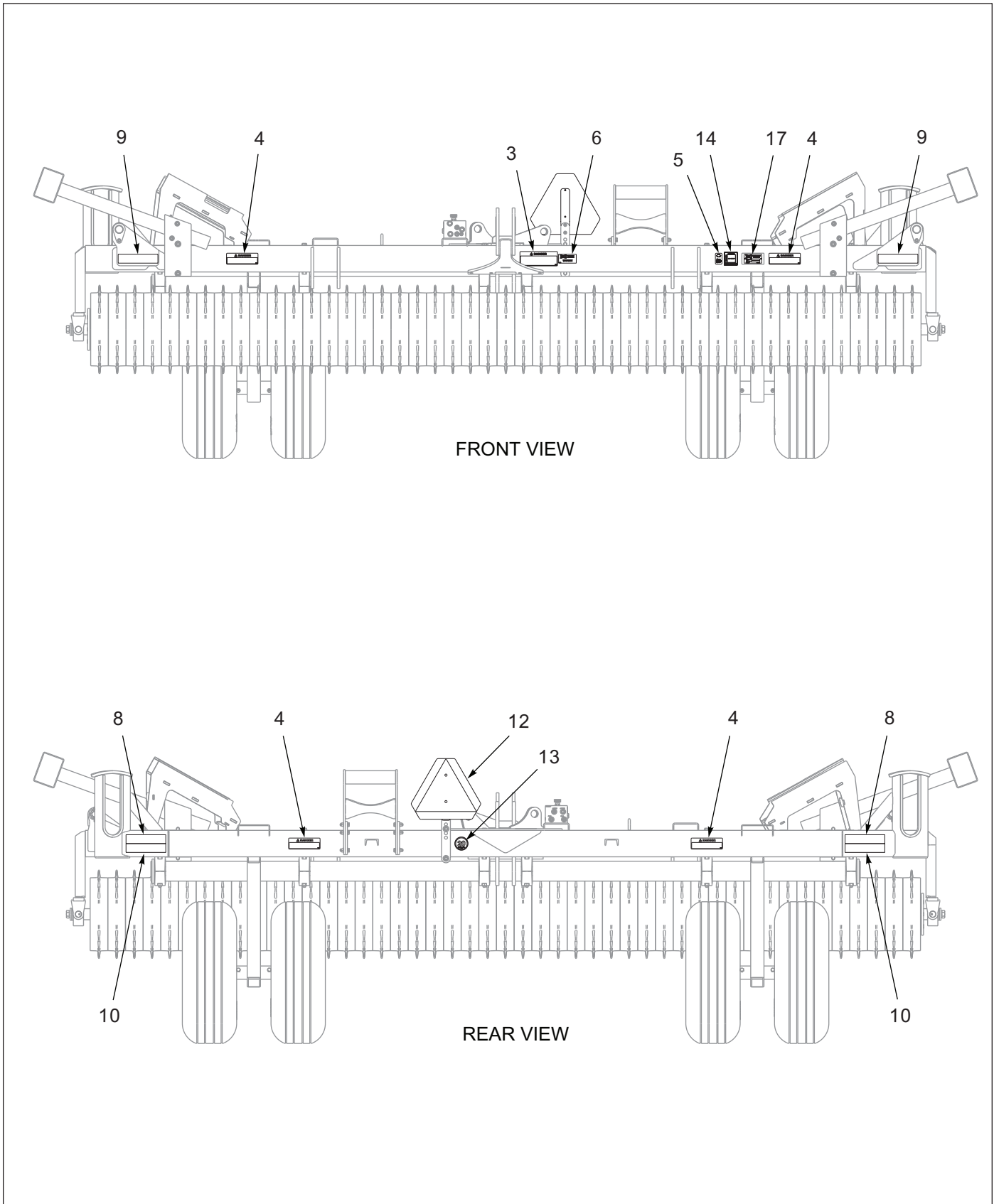


Figure 1-66: Center Frame Decals (1 of 5)

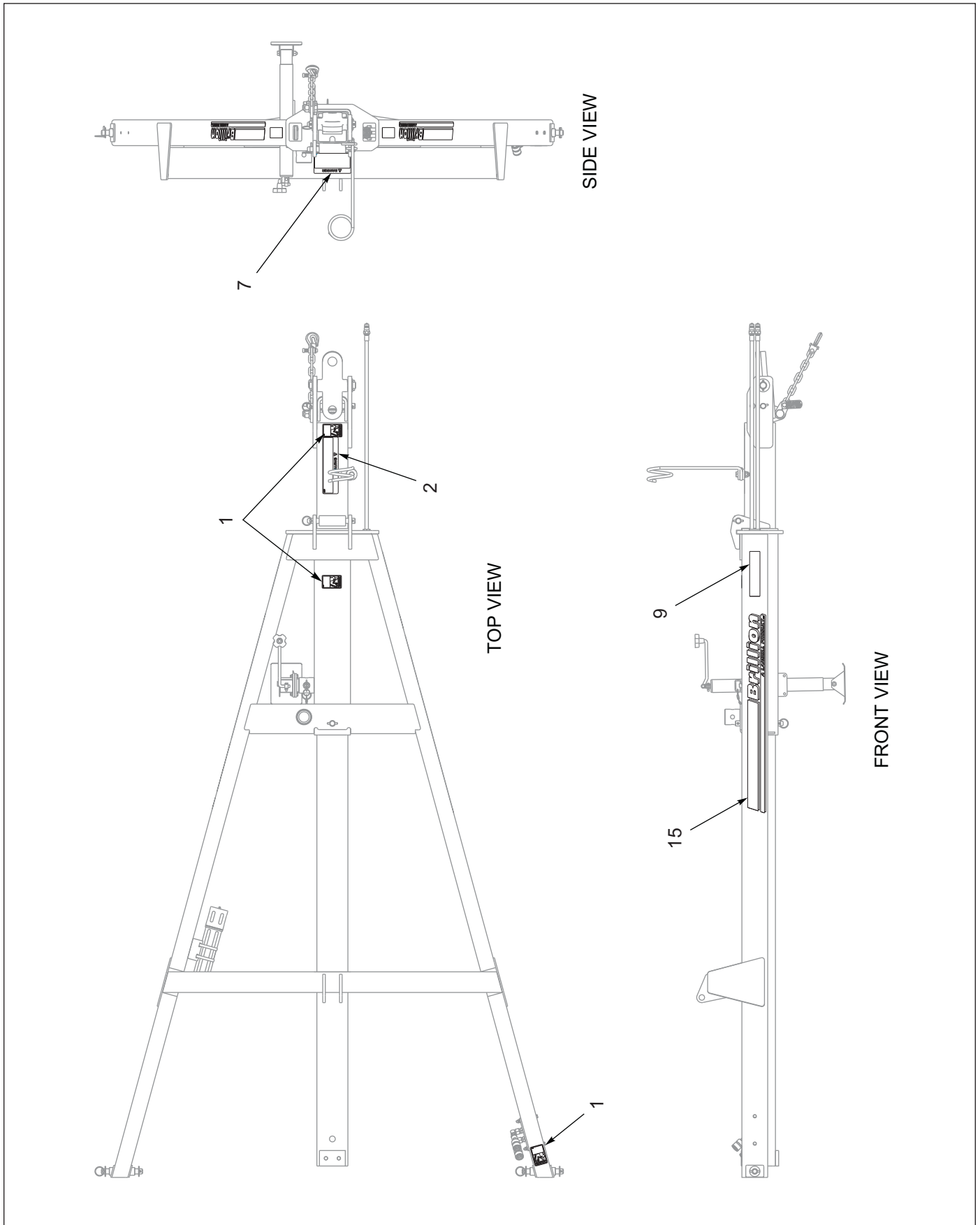


Figure 1-67: Drawbar Decals (2 of 5)

ILLUSTRATED PARTS LIST

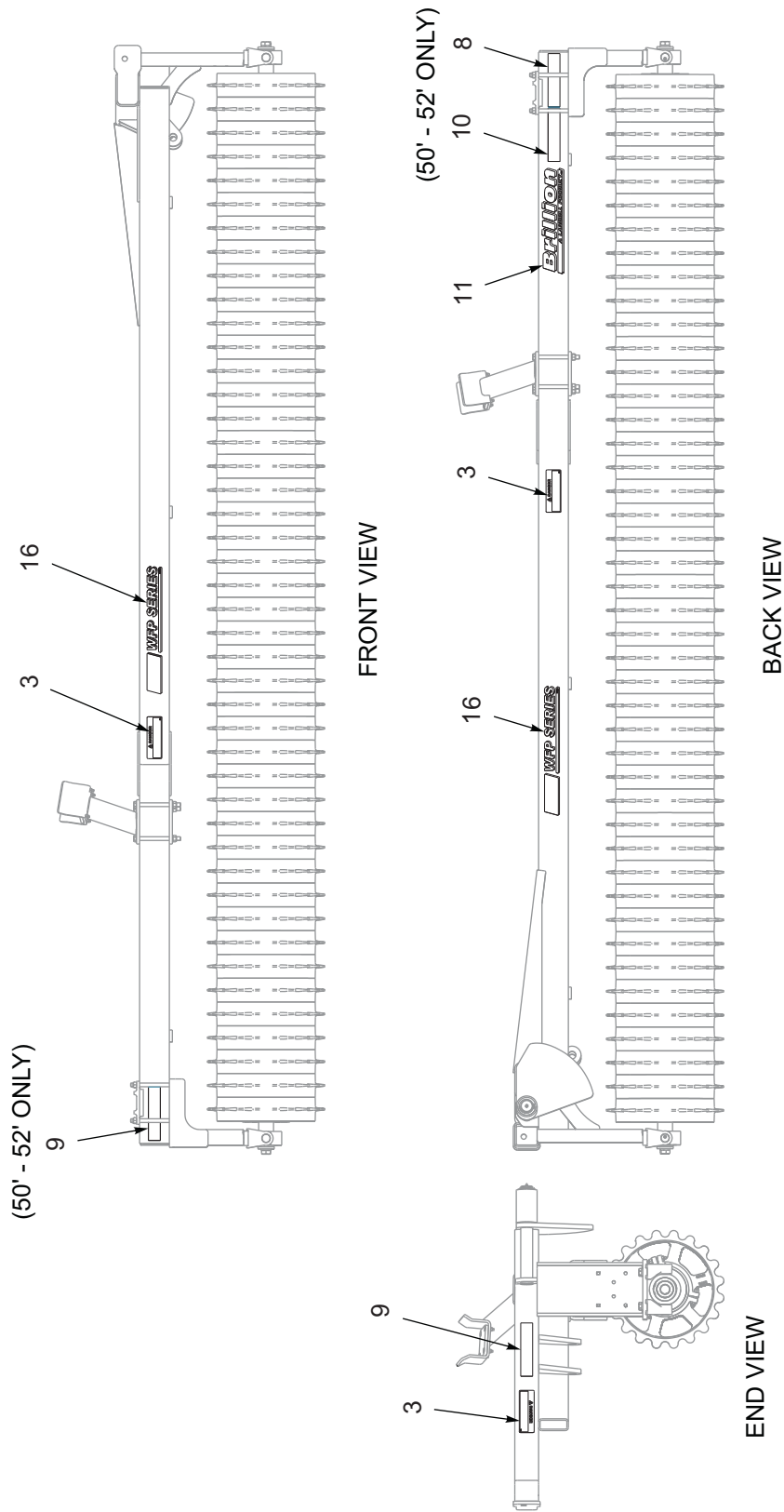


Figure 1-68: RH Wing Decals (3 of 5)

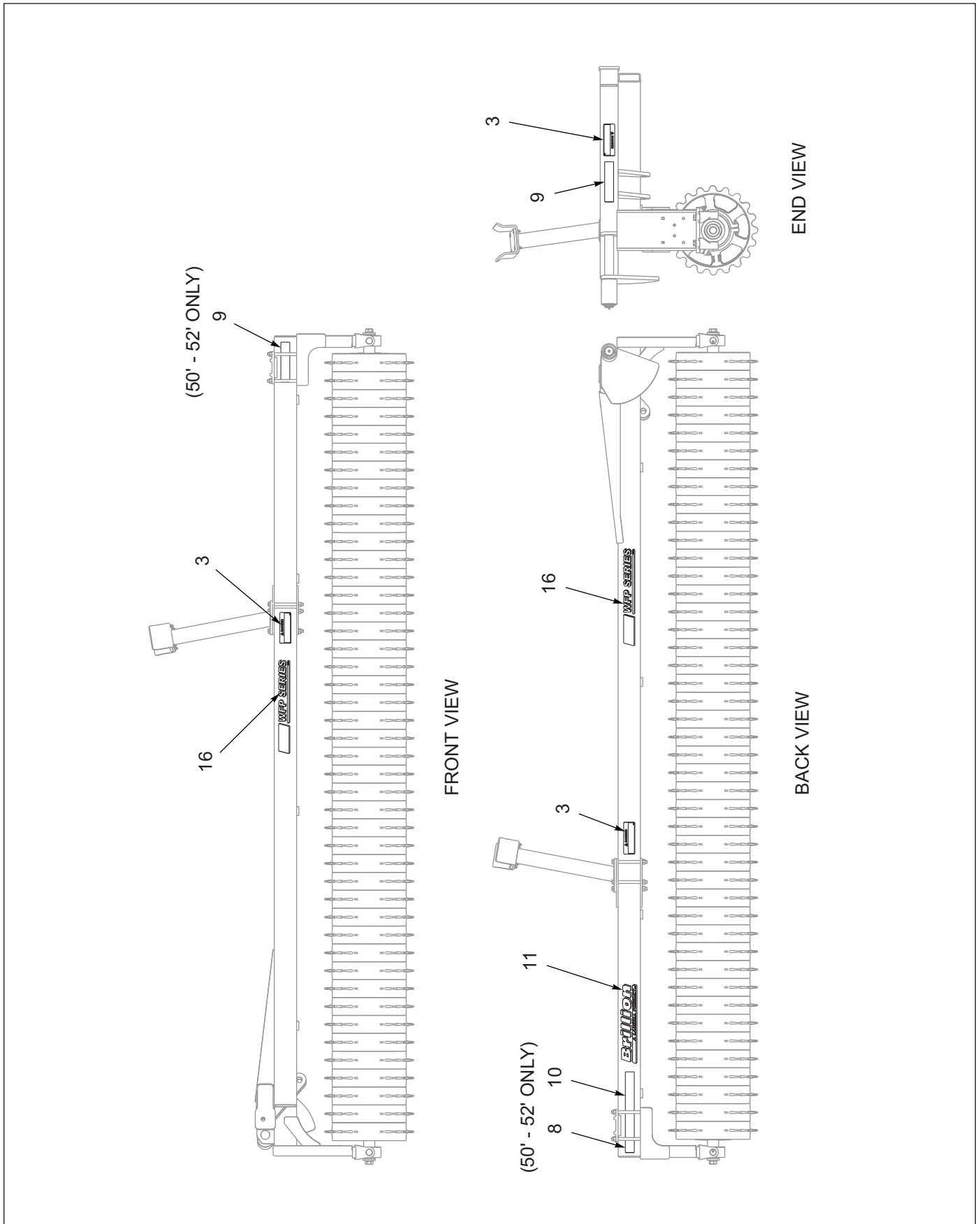


Figure 1-69: LH Wing Decals (4 of 5)

ILLUSTRATED PARTS LIST

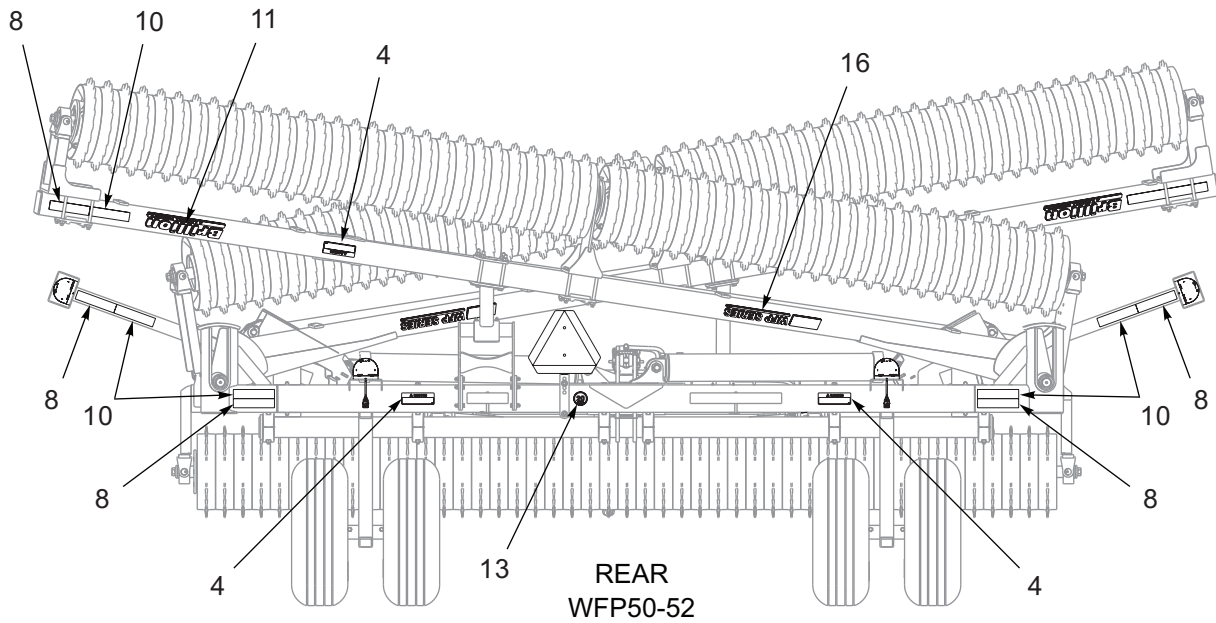
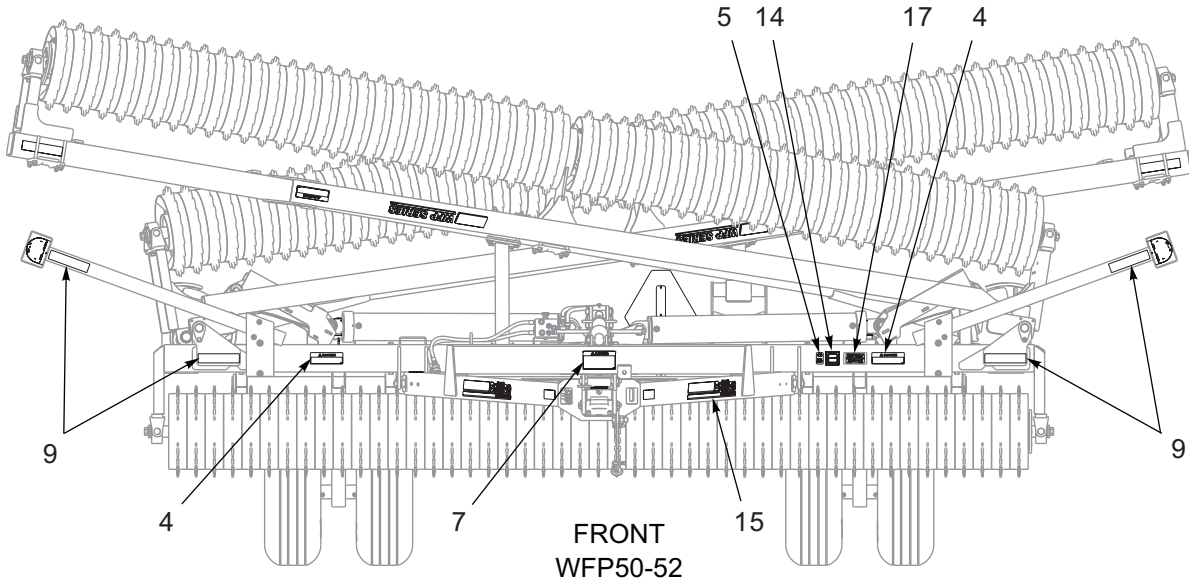


Figure 1-70: WFP50-52 Decals (5 of 5)

# Glossary

---

For clarity this glossary of industry standard abbreviations and their definitions are provided. For additional information, see “Instructions for Ordering Parts” on page 1-1.

## A

---

**ASM** ..... Assembly

## B

---

**BATT** ..... Battery  
**BHSC** ..... Button Head Socket Cap  
**BLK** ..... Black

## C

---

**CB** ..... Carriage Bolt  
**CONN** ..... Connector  
**CRG** ..... Carriage  
**CTSK** ..... Countersunk  
**CTWT** ..... Counterweight  
**CVR** ..... Cover  
**CYD** ..... Cylinder

## D

---

**DBL** ..... Double  
**DIA** ..... Diameter

## E

---

**ENCLSD** ..... Enclosed

## F

---

**FHCS** ..... Flanged Head Cap Screw  
**FHHCS** ..... Flanged Hex Head Cap Screw  
**FL OR FLG** ..... Flange  
**FLT** ..... Flat

## G

---

**GA** ..... Gauge

## H

---

**HHCS** ..... Hex Head Cap Screw  
**HCS** ..... High Carbon Steel  
**HD** ..... Head  
**HLCL** ..... Helical  
**HCSKT** ..... Hex Socket  
**HSFC** ..... Hex Socket Flat Countersunk  
**HYD** ..... Hydraulic

## I

---

**ID** ..... Inside Diameter

## L

---

**LH** ..... Lefthand  
**LKG OR LOCK** ..... Locking  
**LWR** ..... Lower

## M

---

**MANF** ..... Manifold  
**MNT** ..... Mount

## N

---

**NRW** ..... Narrow  
 ----- ..... Not Serviced Separately

## O

---

**OD** ..... Outside Diameter  
**OHG** ..... Overhead Guard  
**ORFS OR ORS** ..... O-Ring Seal  
**ORP OR ORB** ..... O-Ring Boss

## P

---

**P-STEER** ..... Power Steering  
**PTFE** ..... Polytetrafluoroethylene (Teflon)

**GLOSSARY**

---

**R**

---

**RH** ..... Righthand  
**RND** ..... Round

**S**

---

**SER** ..... Series  
**SHCS** ..... Socket Head Cap Screw  
**SHLD** ..... Shield  
**SKT** ..... Socket  
**SLFLKG** ..... Selflocking  
**SOC** ..... Socket  
**SPDT** ..... Single Pole Double Throw  
**SPR** ..... Spring

**SQ** ..... Square  
**SRTD** ..... Serrated  
**SSCR** ..... Setscrew  
**SST** ..... Stainless Steel  
**STD** ..... Standard

**U**

---

**UPR** ..... Upper

**W**

---

**WHL** ..... Wheel  
**WLD OR WLDMT** ..... Weldment



**Numerics**

011000323 .....	1-86	140477	1-21, 1-23, 1-25, 1-27, 1-29, 1-31, 1-33, 1-35, 1-37, 1-38
0A087 .....	1-57	140479	1-21, 1-23, 1-25, 1-27, 1-29, 1-31, 1-33, 1-35, 1-37
101385 .....	1-15	140480	1-21, 1-23, 1-25, 1-27, 1-29, 1-31, 1-33, 1-35, 1-37
102-0322 .....	1-11, 1-13, 1-69, 1-71	140594	1-5
105-0093 .....	1-11, 1-13	140595	1-5
105-0228 .....	1-75, 1-77	141434	1-11, 1-13
105874 .....	1-75	141807	1-83
1-076-010007 .....	1-5	141828	1-11, 1-13, 1-69, 1-71
1-076-010010 .....	1-5	142668	1-11, 1-13, 1-69, 1-71
108295 .....	1-11, 1-13, 1-69	144460	1-15
108628 .....	1-11, 1-13	147072	1-3, 1-7, 1-11, 1-13, 1-15
110-0104 .....	1-89	147583	1-69, 1-71
110-0344 .....	1-5	148988	1-72, 1-73
1-104-010001 .....	1-3	149192	1-75
1-116-010019 .....	1-11, 1-13	1-512-010005-01 .....	1-75
111789 .....	1-86	1-512-010005-03 .....	1-79
111790 .....	1-86	1-512-010005-05 ..	1-8, 1-11, 1-13, 1-16, 1-17, 1-19, 1-84, 1-85
113064 .....	1-27, 1-29, 1-31, 1-33, 1-35, 1-37	1-512-010005-09 ...	1-3, 1-4, 1-11, 1-13, 1-15, 1-42, 1-49, 1-53
116100 .....	1-11, 1-13, 1-15	1-512-010005-13 ..	1-3, 1-19, 1-27, 1-29, 1-31, 1-33, 1-35, 1-37, 1-79, 1-81
1-161-010003 .....	1-5	1-512-010005-15 .....	1-8
116489 .....	1-69, 1-71	1-512-010005-19 .....	1-11, 1-13
118-5098 .....	1-81	1-512-010007-02 .....	1-81
118626 .....	1-19	1-512-010007-03 .....	1-82
123096 .....	1-19	1-512-010007-07 .....	1-81
1-242-010178-3 .....	1-86	1-512-010007-08 .....	1-57
1-242-010180-3 .....	1-3, 1-69, 1-71, 1-86	151508 .....	1-11
129263 .....	1-11, 1-13	153862 .....	1-81
1-298-010001-1 ..	1-8, 1-15, 1-16, 1-17, 1-88, 1-89, 1-90	154185	1-21, 1-23, 1-25, 1-27, 1-29, 1-31, 1-33, 1-35, 1-37, 1-81
137943	1-21, 1-23, 1-25, 1-27, 1-29, 1-31, 1-33, 1-35, 1-37	154186	1-21, 1-23, 1-25, 1-27, 1-29, 1-31, 1-33, 1-35, 1-37
1400548 .....	1-71	1-557-010327 .....	1-7, 1-11, 1-13
140464 .....	1-38	1-557-010362-65 .....	1-15
140473 .....	1-38		
140475 .....	1-38		
140476 .....	1-38		

164639 .....	1-45, 1-46, 1-47, 1-49	1-654-010051-08 .....	1-84
164653 .....	1-29, 1-42	1-654-010051-13 .....	1-16, 1-17
164654 .....	1-29, 1-42	1-654-010055-01 .....	1-16, 1-17
164655 .....	1-23, 1-29, 1-42	1-654-010055-03 .....	1-11, 1-13, 1-67
164656 .....	1-42, 1-49, 1-53	1-654-010055-04 .....	1-3, 1-62
164657 .....	1-42, 1-49, 1-53	1-654-010055-05 .....	1-67
164658 .....	1-42, 1-49, 1-53	1-654-010055-07 .....	1-42, 1-53
164667 .....	1-83	1-654-010055-12 .....	1-4
164668 .....	1-83	1-654-010059-05 .	1-25, 1-39, 1-40, 1-45, 1-46, 1-50, 1-51
164675	1-23, 1-29, 1-33, 1-35, 1-45, 1-46, 1-47, 1-49	1-654-010059-06 .	1-11, 1-13, 1-23, 1-29, 1-33, 1-35
164676 .....	1-45, 1-46, 1-47, 1-49	1-654-010059-08 .....	1-23, 1-29, 1-33, 1-35
164678 .....	1-79	1-654-010061-06 .	1-21, 1-23, 1-25, 1-27, 1-29, 1-31, 1-33, 1-35, 1-37, 1-81
164687 .....	1-50, 1-53	1-654-010061-15 .....	1-8
1-647-010004177 .....	1-8	1-654-010065-08 .....	1-11, 1-13
164709 .....	1-50, 1-51, 1-52, 1-53	1-656-010003051 .....	1-82
164713 .....	1-33, 1-35, 1-53	165622 .....	1-81
164714 .....	1-35, 1-53	167298 .....	1-6
164716 .....	1-29, 1-53	167299 .....	1-3, 1-6
164717 .....	1-29, 1-53	168356 .....	1-83
164718 .....	1-29, 1-53	169690 .....	1-15
164719 .....	1-29, 1-53	170505 .....	1-93
164720 .....	1-23, 1-29, 1-53	170508 .....	1-69, 1-71
164724 .....	1-33, 1-35, 1-49	170509 .....	1-93
164725 .....	1-35, 1-49	170510 .....	1-93
164727 .....	1-29, 1-49	170946 .....	1-82
164728 .....	1-29, 1-49	170948 .....	1-82
164729 .....	1-29, 1-49	170963 .....	1-4, 1-5
164730 .....	1-29, 1-49	170977 .....	1-7, 1-8
164731 .....	1-23, 1-29, 1-49	171357 .....	1-15
164735 .....	1-7, 1-11, 1-13	171374 .....	1-8
164747 .....	1-11, 1-13, 1-69	171375 .....	1-8
164753 .....	1-11	171379 .....	1-8
164756 .....	1-11, 1-13, 1-15	171380 .....	1-8
164761 .....	1-11, 1-13	171384 .....	1-8
164762 .....	1-11, 1-13	171385 .....	1-8
1-654-010047-08 .....	1-75	171714 .....	1-15
1-654-010049-05 .....	1-69, 1-79	171727 .....	1-19
1-654-010049-07 .....	1-11, 1-13	171738	1-21, 1-23, 1-25, 1-27, 1-29, 1-31, 1-33, 1-35, 1-37
1-654-010051-05 .....	1-85		
1-654-010051-06 .....	1-11, 1-13, 1-81		

171739	1-21, 1-23, 1-25, 1-27, 1-29, 1-31, 1-33, 1-35, 1-37	174438	1-75, 1-76
171746	1-62	174890	1-50, 1-51, 1-52
171748	1-62	174894	1-3
171749	1-62	174945	1-11, 1-69, 1-71
171750	1-62	175146	1-62
171751	1-62	175147	1-62
171752	1-62	175151	1-75, 1-76
171753	1-62	175152	1-75, 1-76
171754	1-62	175157	1-3, 1-4
171838	1-11, 1-13	175158	1-72, 1-73
171856	1-62	175159	1-72, 1-73
171857	1-62	175160	1-72, 1-73
171858	1-62	175161	1-72, 1-73
171859	1-62	175162	1-72
171860	1-62	175181	1-33, 1-35
172509	1-39, 1-40, 1-41, 1-45, 1-46, 1-47, 1-50, 1-51, 1-52	175189	1-83
172896	1-39, 1-40, 1-41, 1-45, 1-46, 1-47, 1-50, 1-51, 1-52	176201	1-69, 1-71, 1-72
172898	1-62	178545	1-23, 1-29
173119	1-23, 1-29, 1-33, 1-35	179346	1-23, 1-29, 1-50, 1-51, 1-52, 1-53
173120	1-27, 1-29, 1-31, 1-33, 1-35	179348	1-75
173376	1-15, 1-69, 1-71, 1-87, 1-88	179352	1-29, 1-33, 1-35
173390	1-4	179440	1-51, 1-52
173403	1-88, 1-89, 1-90	180495	1-33, 1-35, 1-49
173404	1-88, 1-89, 1-90	180496	1-35, 1-49
173405	1-88	180498	1-29, 1-49
173557	1-19	180499	1-29, 1-49
174273	1-15	180500	1-29, 1-49
174281	1-62	180501	1-29, 1-49
174286	1-15	180502	1-29, 1-49
174289	1-3	181280	1-33, 1-35
174290	1-15	181285	1-40, 1-46, 1-51
174291	1-3	181286	1-41, 1-47, 1-52
174294	1-7	181287	1-62
174297	1-3	181301	1-62
174299	1-19	181305	1-31, 1-33, 1-35
174435	1-75, 1-76	181363	1-67
174436	1-75, 1-76	181370	1-13, 1-69, 1-71
174437	1-75, 1-76	181526	1-15, 1-69, 1-71, 1-89, 1-90
		181527	1-69, 1-71, 1-73
		181653	1-33, 1-35, 1-40, 1-46, 1-51

181654	1-33, 1-35, 1-41, 1-47, 1-52	191396	1-39, 1-40, 1-45, 1-46, 1-50, 1-51
182451	1-13	193253	1-67
183555	1-54, 1-55	193255	1-67
183661	1-89	193261	1-67
183662	1-73	194061	1-67
183663	1-73	1C213	1-82
183664	1-73	1C290	1-57
184473	1-62	1K589	1-5
184474	1-62	1P328	1-77
184478	1-81	1P443	1-88
184481	1-81	1P457	1-8
184482	1-82	1P937	1-11, 1-13
184483	1-81, 1-82	1P938	1-11, 1-13
185141	1-84	200858	1-15
185142	1-84	200859	1-16, 1-17
185974	1-62	200862	1-15
1-861-010032-02	1-81	200886	1-3
1-861-010032-08	1-79	200894	1-75
1-861-010032-09	1-11, 1-13	200896	1-75
1-861-010032-11	1-81	200898	1-75
1-861-010032-14	1-3, 1-62	200920	1-15, 1-17
1-861-010032-18	1-3, 1-19, 1-79	200921	1-15, 1-16
1-861-010032-24	1-3, 1-7	200922	1-15, 1-17
1-861-010034-10	1-69	200923	1-15, 1-16
1-861-010034-11	1-81	200924	1-15, 1-17
1-861-010034-12	1-57	200925	1-15, 1-16
1-861-010034-13	1-16, 1-17	200926	1-15, 1-17
1-861-010034-15	1-23, 1-29, 1-33, 1-35, 1-39, 1-40, 1-41, 1-45, 1-46, 1-47, 1-50, 1-51, 1-52	200927	1-15, 1-16
1-861-010034-17	1-11, 1-13, 1-21, 1-23, 1-25, 1-27, 1-29, 1-31, 1-33, 1-35, 1-37, 1-81	200928	1-15, 1-17
1-861-010034-21	1-21, 1-23, 1-25, 1-27, 1-29, 1-31, 1-33, 1-35, 1-37, 1-81	200929	1-15, 1-16
188049	1-15	200930	1-15, 1-17
189538	1-56	200931	1-15, 1-16
190875	1-62	200932	1-15, 1-17
191109	1-56	200933	1-15, 1-16
191110	1-56	201354	1-16, 1-17
191111	1-54	201442	1-84
191114	1-25, 1-54	201443	1-84
191118	1-54, 1-55	202702-8-8S	1-71
		202812	1-75
		204831	1-85

204832	1-85	234127	1-21, 1-27, 1-39
204833	1-85	234128	1-27, 1-45
204835	1-85	234129	1-27, 1-45
204836	1-85	234130	1-21, 1-27, 1-45
204837	1-85	234131	1-27, 1-45
2062-8-8S	1-71	234132	1-27, 1-45
208563	1-37	234133	1-27, 1-45
208566	1-37, 1-55	234134	1-27, 1-50
208567	1-37, 1-55	234135	1-27, 1-50
208568	1-37, 1-55	234136	1-21, 1-27, 1-50
208574	1-55	234137	1-31, 1-40
208575	1-55	234138	1-31, 1-41
208576	1-55	234139	1-31, 1-40
209835	1-25	234140	1-31, 1-46
209841	1-67	234141	1-31, 1-47
209842	1-67	234142	1-31, 1-46
209843	1-67	234143	1-31, 1-46
209844	1-67	234144	1-31, 1-47
209845	1-67	234145	1-31, 1-46
209846	1-67	234146	1-31, 1-51
2-102-010032	1-79	234147	1-31, 1-52
231044	1-16, 1-17	234148	1-31, 1-51
231051	1-39, 1-45, 1-50	248386	1-90
231052	1-39, 1-45, 1-50	2-798-010106	1-6
231059	1-27, 1-39	2J858	1-11, 1-13
231060	1-27, 1-39	2P140	1-13, 1-69, 1-71
231067	1-27, 1-45	2P151	1-79, 1-93
231068	1-27, 1-45	2P236	1-27, 1-29, 1-31, 1-33, 1-35, 1-37
231075	1-27, 1-45	2P252	1-11, 1-13, 1-62, 1-69, 1-83
231076	1-27, 1-45	2P253	1-62, 1-67, 1-75
231083	1-27, 1-50	2P254	1-11, 1-13, 1-25, 1-67, 1-75
231084	1-27, 1-50	2P267	1-16, 1-17
234119	1-40, 1-46, 1-51	2P268	1-16, 1-17
234120	1-41, 1-47, 1-52	2P269	1-16, 1-17
234121	1-40, 1-46, 1-51	2P721	1-5
234122	1-39, 1-45, 1-50	2P739	1-88
234123	1-39, 1-45, 1-50	2P744	1-15
234124	1-39, 1-45, 1-50	2P762	1-8
234125	1-27, 1-39	2P793	1-3
234126	1-27, 1-39	2P794	1-3

**INDEX**

<p>2P800 ..... 1-39, 1-40, 1-41, 1-42</p> <p>2P808 ..... 1-93</p> <p>2P994 ..... 1-3</p> <p>2P999 ..... 1-11, 1-13</p> <p>3J246 ..... 1-25, 1-33, 1-35, 1-37, 1-56</p> <p>3J394 ..... 1-5</p> <p>3J396 ..... 1-5</p> <p>3J397 ..... 1-5</p> <p>3J608 ..... 1-81</p> <p>3J614 ..... 1-81</p> <p>3J675 ..... 1-93</p> <p>3J678 ..... 1-93</p> <p>3K706 ..... 1-93</p> <p>3P001 ..... 1-11, 1-13</p> <p>3P007 ..... 1-11, 1-13</p> <p>3P029 ..... 1-33, 1-35, 1-42</p> <p>3P030 ..... 1-35, 1-42</p> <p>3P032 ..... 1-29, 1-42</p> <p>3P033 ..... 1-29, 1-42</p> <p>3P037 ..... 1-42, 1-49, 1-53</p> <p>3P038 ..... 1-42, 1-49, 1-53</p> <p>3P040 ..... 1-42, 1-49, 1-53</p> <p>3P041 ..... 1-42, 1-49, 1-53</p> <p>3P052 1-39, 1-40, 1-41, 1-42, 1-45, 1-46, 1-47, 1-49, 1-50, 1-51, 1-52, 1-53</p> <p>3P079 ..... 1-4</p> <p>3P300 ..... 1-50, 1-51, 1-52, 1-53</p> <p>4J409 ..... 1-16, 1-17</p> <p>4J548 ..... 1-15</p> <p>4J918 ..... 1-62</p> <p>4K864 ..... 1-77</p> <p>5000 .. 1-5, 1-15, 1-16, 1-17, 1-21, 1-23, 1-27, 1-29, 1-31, 1-33, 1-35, 1-38</p> <p>528933 ..... 1-93</p> <p>528934 ..... 1-16, 1-17, 1-93</p> <p>528938 ..... 1-93</p> <p>5D129 ..... 1-82</p> <p>5J376 ..... 1-54, 1-55, 1-57</p> <p>5J765 ..... 1-7, 1-11, 1-13</p> <p>5J767 ..... 1-11, 1-13</p>	<p>5J768 ..... 1-7</p> <p>5J859 ..... 1-93</p> <p>5K201 ..... 1-8</p> <p>5K262 ..... 1-81</p> <p>6D333 ..... 1-11, 1-13</p> <p>6J448 ..... 1-3</p> <p>6K099 ..... 1-8</p> <p>6K970 ..... 1-11, 1-13</p> <p>71508954 ..... 1-69, 1-71</p> <p>71508985 ..... 1-69, 1-71</p> <p>7J990 ..... 1-67</p> <p>8J014 ..... 1-62</p> <p>8K659 ..... 1-77</p> <p>8K660 ..... 1-77</p> <p>8K661 ..... 1-77</p> <p>8K663 ..... 1-77</p> <p>9D989 ..... 1-81</p> <p>9J400 ..... 1-15</p> <p>9J629 ..... 1-93</p> <p>9J695 ..... 1-3, 1-7</p> <p>9J930 ..... 1-62</p> <p>9K740 ..... 1-82</p> <p style="text-align: center;"><b>T</b></p> <hr/> <p>TR416 ..... 1-6</p>
---	---

## Document Control Revision Log:

Date	Form #	Improvement(s): Description and Comments
04/12/2013	F-662R1	Initial Release
08/07/2013	F-662R2	ECN 37342, added LED Warning Light Drawings
02/14/2014	F-662R3	Incorporated 50FT-52FT Models
08/01/2016	F-662R4	Changed to Spherical Wing Bearings
10/01/2017	F-662R5	Added V-Wheel Option for 50FT-52FT Models
01/04/2021	F-662-0121	ECN 46739 Wing Weldment Changes
03/2021	F-662-0321	ECN 46893 Adjustments to Roller Assemblies
01/2024	F-662-2401	ECN 49622 Hydraulic Cylinders *Revised Form Format "Year/Month" Updated ISO logos to ISO 9001:2015 (Revised 04/2024)
06/2024	F-662-2406	ECN 49763 - Add Decals: QR Code, FEMA, 20 mph



**intertek**

Equipment from Landoll Company, LLC is built to exacting standards ensured by ISO 9001:2015 registration at all Landoll manufacturing facilities.

# **Wing Float Pulverizer Models WFP38-52 Parts Manual**

## **Re-Order Part Number F-662**

**LANDOLL COMPANY, LLC**

1900 North Street

Marysville, Kansas 66508

(785) 562-5381

**800-428-5655 ~ WWW.LANDOLL.COM**



Copyright 2024. Landoll Company, LLC

“All rights reserved, including the right to reproduce this material or portions thereof in any form.”

