



# Double Seeder Hitch BDH512 Parts Manual



**LANDOLL COMPANY, LLC**

1900 North Street

Marysville, Kansas 66508

(785) 562-5381

800-428-5655 ~ [WWW.LANDOLL.COM](http://WWW.LANDOLL.COM)

## Manuals for BDH512 - Double Seeder Hitch

Manual Number	Manual Type
F-645	Operator's Manual
F-646	Parts Manual

# Table of Contents

---

## **1 Illustrated Parts List**

Instructions for Ordering Parts .....	1-1
Drawbar .....	1-2
Hub and Spindle .....	1-4
Wheel and Hub Assembly .....	1-5
Pivoting Hitches .....	1-6
Turnbuckle .....	1-8
Transport Lock .....	1-9
Rear to Front Hitch .....	1-10
Long Hitch Assembly (Rear Hitch) .....	1-11
Caster Wheel .....	1-12
Caster Wheel Assembly .....	1-13
Hydraulic Layout .....	1-14
Hydraulic Schematic .....	1-16
AG Harness .....	1-18
Track Remover Kit - Optional .....	1-20
Hydraulic Cylinder, 3-1/2 x 16 - Lion - 671657 .....	1-23
Decals .....	1-24
Decal Locations .....	1-26

## **2 Glossary**

## **3 Index**



# Illustrated Parts List

## Instructions for Ordering Parts

**\*\* Repair parts must be ordered through an authorized dealer \*\***

### DEALER INSTRUCTIONS FOR ORDERING PARTS FROM LANDOLL PARTS DISTRIBUTION CENTER

PHONE #: 800-423-4320 OR 785-562-5381

FAX #: 888-527-3909

ORDER ONLINE: [Dealer.landoll.com](http://Dealer.landoll.com)

#### DATA PLATE

The Data Plate lists the model and serial number of the equipment.  
It is located on the right side of the Brillion Double Seeder Hitch.

#### SERIAL NUMBER NOMENCLATURE

The following information will help decode the Landoll serial number.

**ASD24000100 = xxmysssss**

<b>xx</b>	= model series (i.e. "AS" for all Agricultural Seeders)
<b>m</b>	= month of manufacture (ex. "D" means April. The letter I is not used.)
<b>yy</b>	= last digits of the year manufactured (ex. "24" means 2024)
<b>sssss</b>	= Sequential number used to track warranty and service information.



Figure 1-1: Data Plate

Drawbar

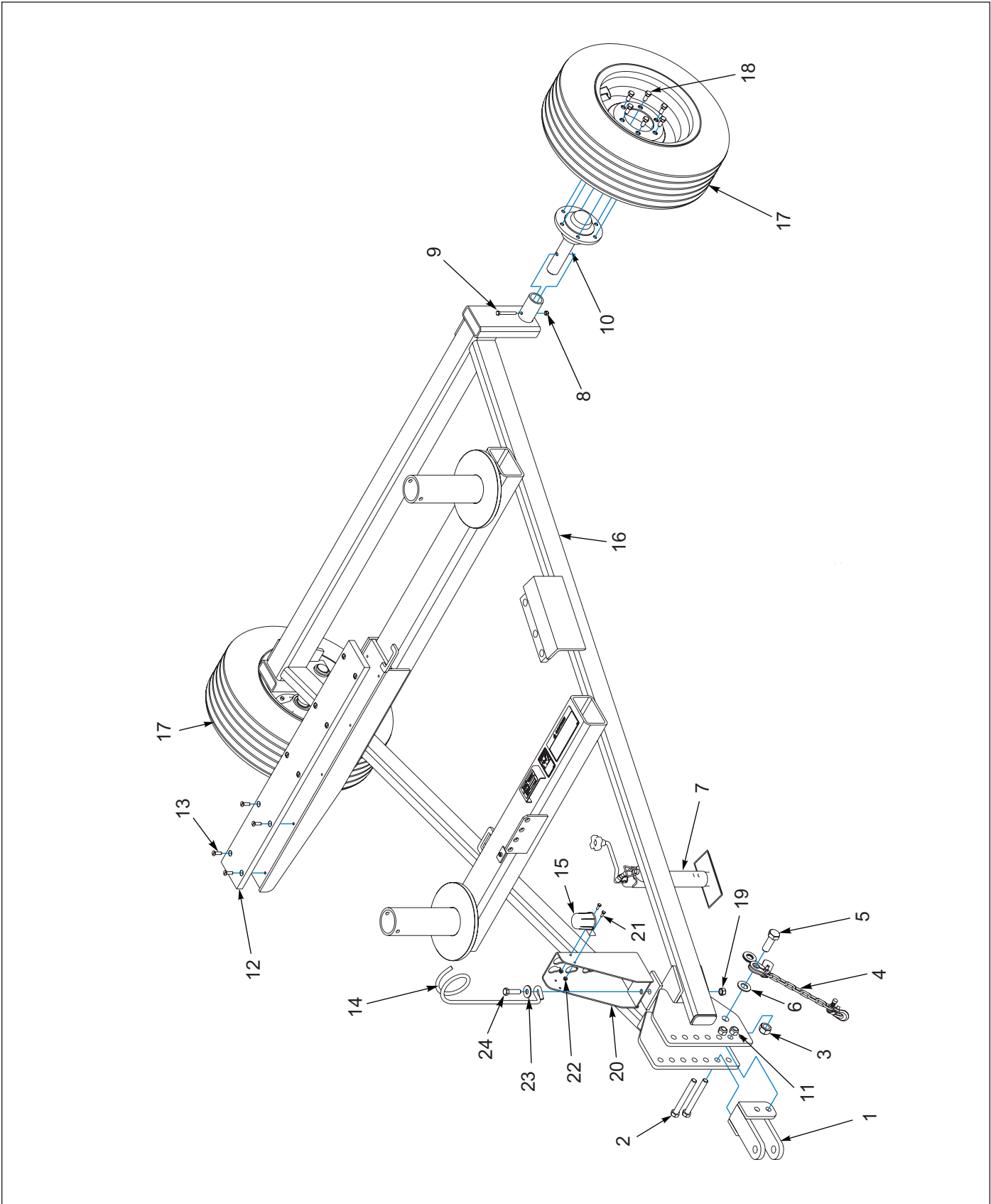


Figure 1-2: Drawbar

## Drawbar

ITEM	PART NUMBER	DESCRIPTION	QTY
1	4K636	HITCH	1
2	100855	SCREW, HHCS, 3/4-10 X 6-1/2, GR5	2
3	1-512-010005-19	NUT 1-8 HEX SLF-LOCKING, GRB	1
4	141433	SAFETY CHAIN 11,000LB	1
5	1-654-010065-08	SCREW, HX CP 1-8UNC X 2 3/4, GR5	1
6	1-861-010032-24	WASHER FL 1IN NARROW, ZP	3
7	3J880	DRAWBAR, JACK	1
8	1-512-010005-05	NUT, HEX, SLFLKG GRB 3/8-16	2
9	1-654-010051-13	SCREW, HX CP, 3/8-16UNC X 3, GR5	2
10	6J766	HUB & SPINDLE ASM ( <b>SEE PAGE 1-4</b> )	2
11	1-512-010005-15	NUT, HEX SLFLKG GRB 3/4-10	4
12	2P447	TOP PLATE	1
13	2P449	FLAT HD MACH SCREW	10
14	6D333	HOSE SUPPORT	2
15	8K664	CONNECTOR HOLDER (105728) ( <b>7-PIN</b> )	1
16	1P878	DRAWBAR	1
17	7K804	WHEEL 7K802/NO TUBE/6D312 ( <b>SEE PAGE 1-5</b> )	2
18	5C100	WHEEL BOLT 1/2-20 X 1 GR5, ZP	12
19	1-512-010005-13	NUT, HEX SLFLKG GRB 5/8-11	1
20	8K885	HOSE HOLDER	1
21	1-654-010047-04	SCREW, HEX CAP, 1/4-20 X 3/4, GR5	2
22	108417	NUT SPIRAL 1/4-20HX FG	4
23	1-861-010032-19	WASHER, FLAT 5/8 W, ZP/CD	1
24	1-654-010059-06	SCREW, HEX CAP 5/8-11 X 2-1/4, G5	1

# Hub and Spindle

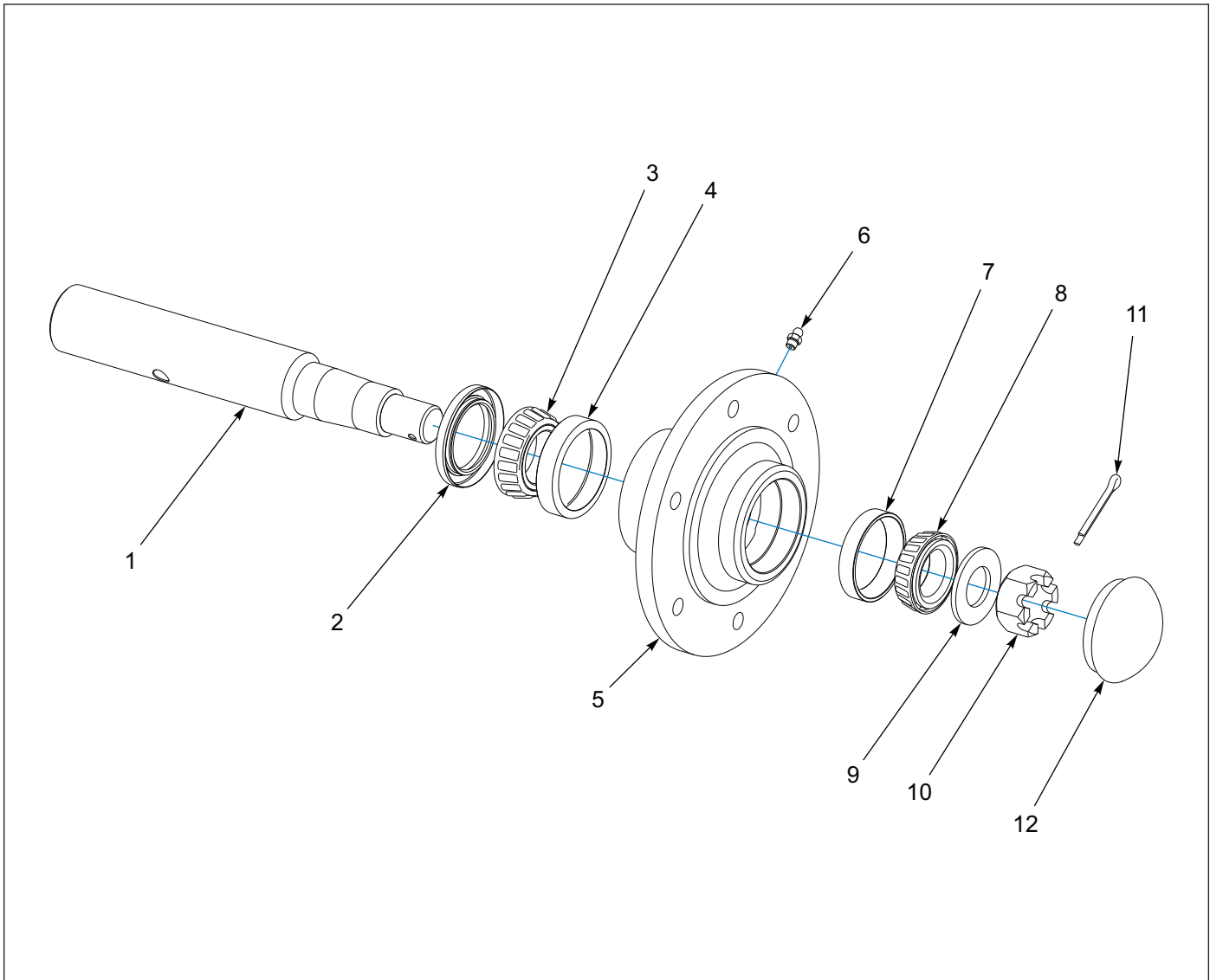


Figure 1-3: Hub and Spindle

## Hub and Spindle

ITEM	PART NUMBER	DESCRIPTION	QTY
	6J766	HUB & SPINDLE ASM	--
1	6J765	SPINDLE	4
2	6D338	SEAL	4
3	712099	OUTER BEARING CONE (LM48548)	4
4	2107649	CUP, INNER BEARING (LM48510)	4
5	6D336	WHEEL HUB - 6 BOLT (INCLUDES ITEM 6)	4
6	1-298-010001-1	ZERK FITTING 1/4 SAE	4
7	1-076-010010	CUP INNER (LM67010)	4
8	1-076-010007	CONE INNER (LM67048)	4
9	1-861-010032-24	WASHER FL 1IN NARROW ZP	4
10	1-516-010001-20	NUT, HX SLOT 1-14	4
11	1-557-010362-51	PIN, COTTER 3/16 X 1-1/2	4
12	1-161-010003	CAP 6BOLT HUB	4

## Wheel and Hub Assembly

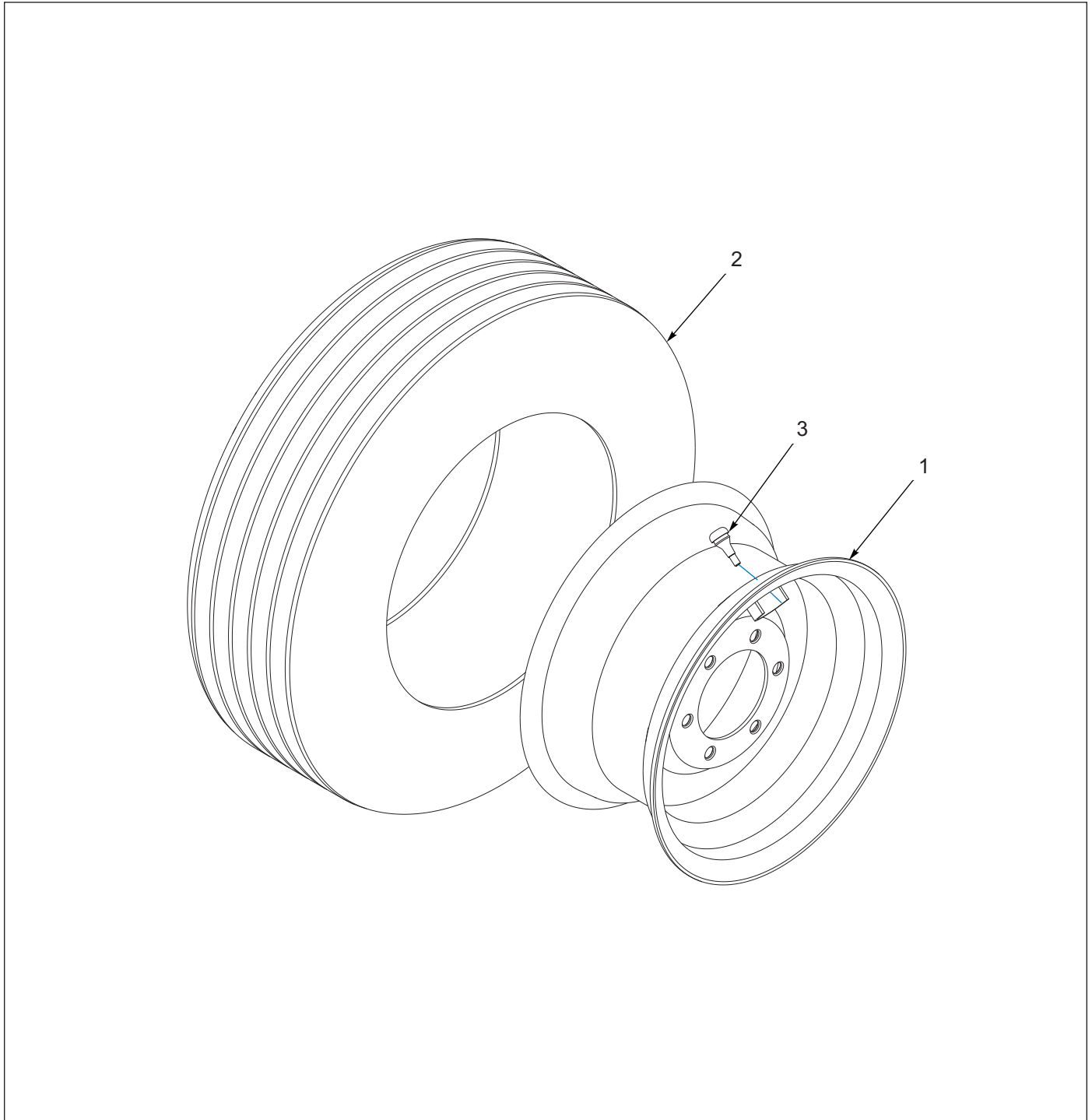


Figure 1-4: Wheel and Hub Assembly

## Wheel and Hub Assembly

ITEM	PART NUMBER	DESCRIPTION	QTY
	7K804	WHEEL 7K802/NO TUBE/6D312	2
1	6D312	WHEEL - 15X8LB - 6 BOLT	2
2	7K802	TIRE-27 X 9.50-15 NHS-10 PLY	2
3	415	VALVE STEM	2

# Pivoting Hitches

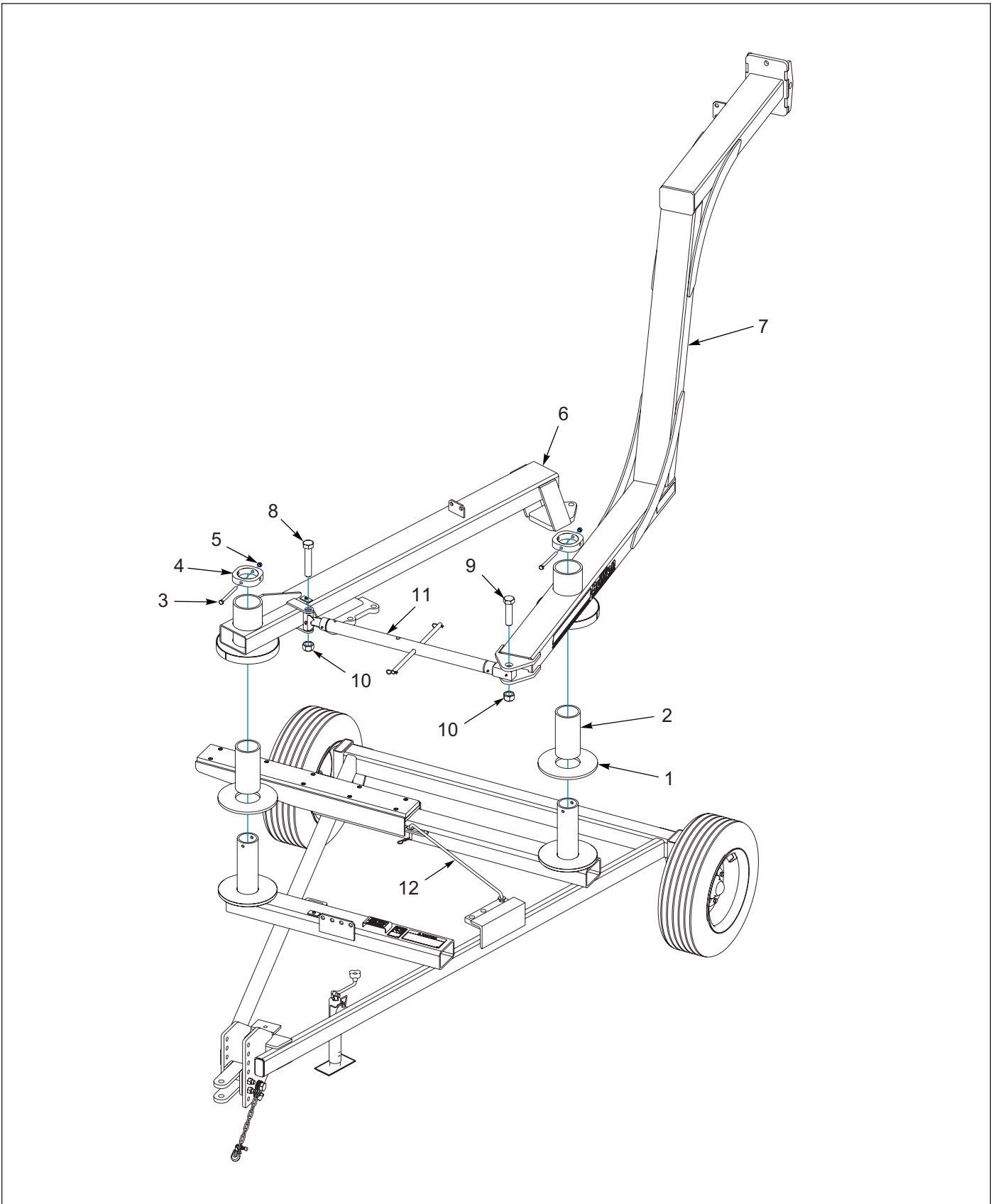


Figure 1-5: Pivoting Hitches

## Pivoting Hitches

ITEM	PART NUMBER	DESCRIPTION	QTY
1	9K983	WEAR DISK	2
2	1P930	BUSHING 4.75OD X 4.062ID X 9.25	2
3	1-654-010055-17	SCREW, HEX CAP, 1/2-13UNC X 6, GR5	2
4	9K981	KEEPER PLATE	2
5	1-512-010005-09	NUT, HEX,SLFLKG, 1/2-13, GRB	2
6	1P879	SHORT HITCH	1
7	1P880	LONG HITCH - FRONT	1
8	1P989	HHCS 1 1/4-7NC X 6 1/2	1
9	1P990	HHCS 1 1/4-7NC X 5	1
10	101385	NUT, HEX SLFLKG, 1-1/4-7, GRB	2
11	1P884	TURNBUCKLE, DOUBLE HITCH (SEE PAGE 1-8)	1
12	2P080	TRANSPORT LOCK ASM (SEE PAGE 1-9)	1

# Turnbuckle

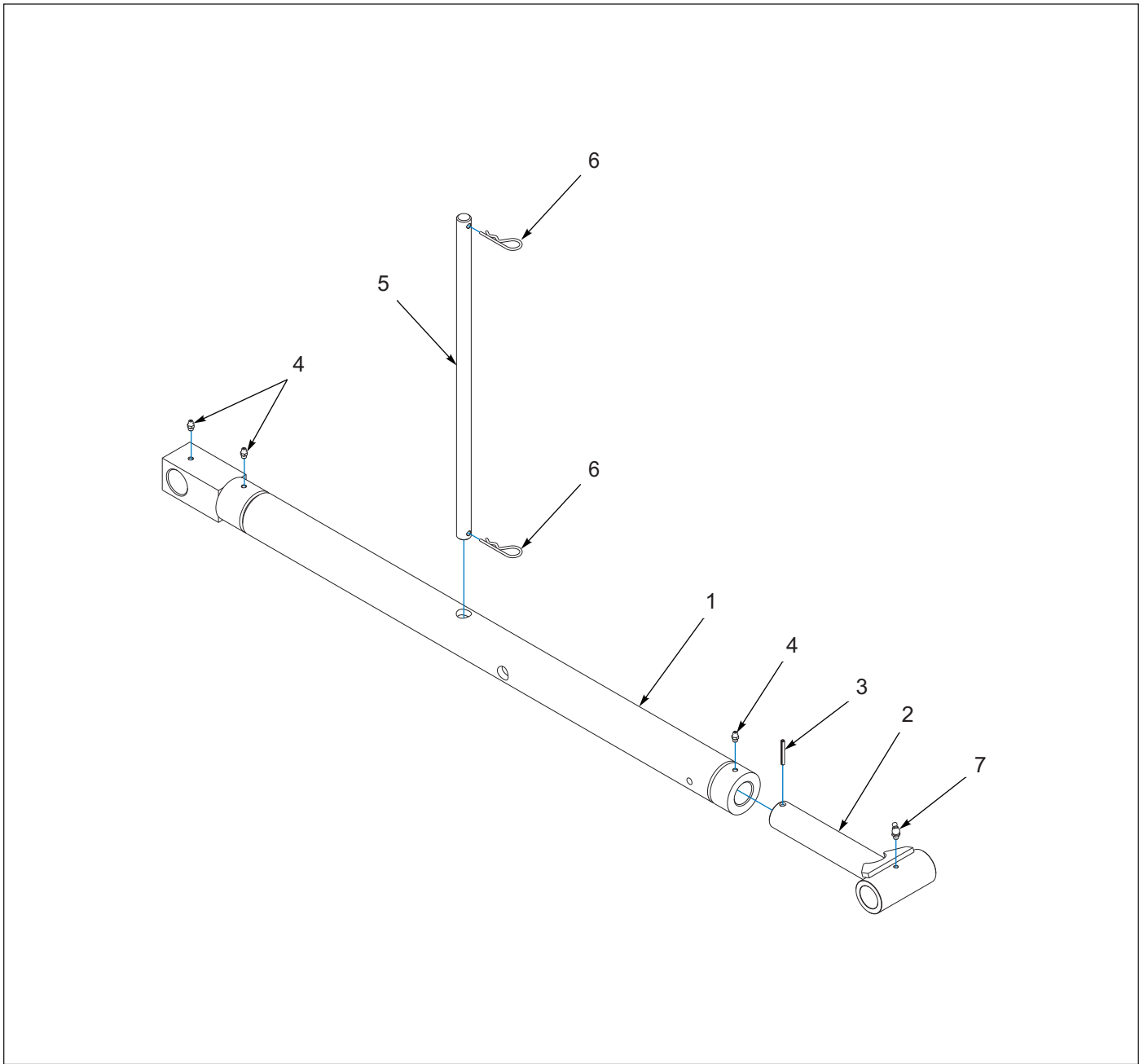


Figure 1-6: Turnbuckle

# Turnbuckle

ITEM	PART NUMBER	DESCRIPTION	QTY
	1P884	TURNBUCKLE, DOUBLE HITCH	1
1	1P888	BRACE BODY	1
2	1P889	ROD END, R. H.	1
3	1-647-010004177	ROLL PIN	1
4	1-298-010001-1	ZERK FITTING 1/4 SAE	3
5	171380	HANDLE, PLATED, 3/4 X 20	1
6	6J448	HAIRPIN COTTER 1/8	2
7	5210	ZERK FITTING 1/4-28 X 45 SAE	1

# Transport Lock

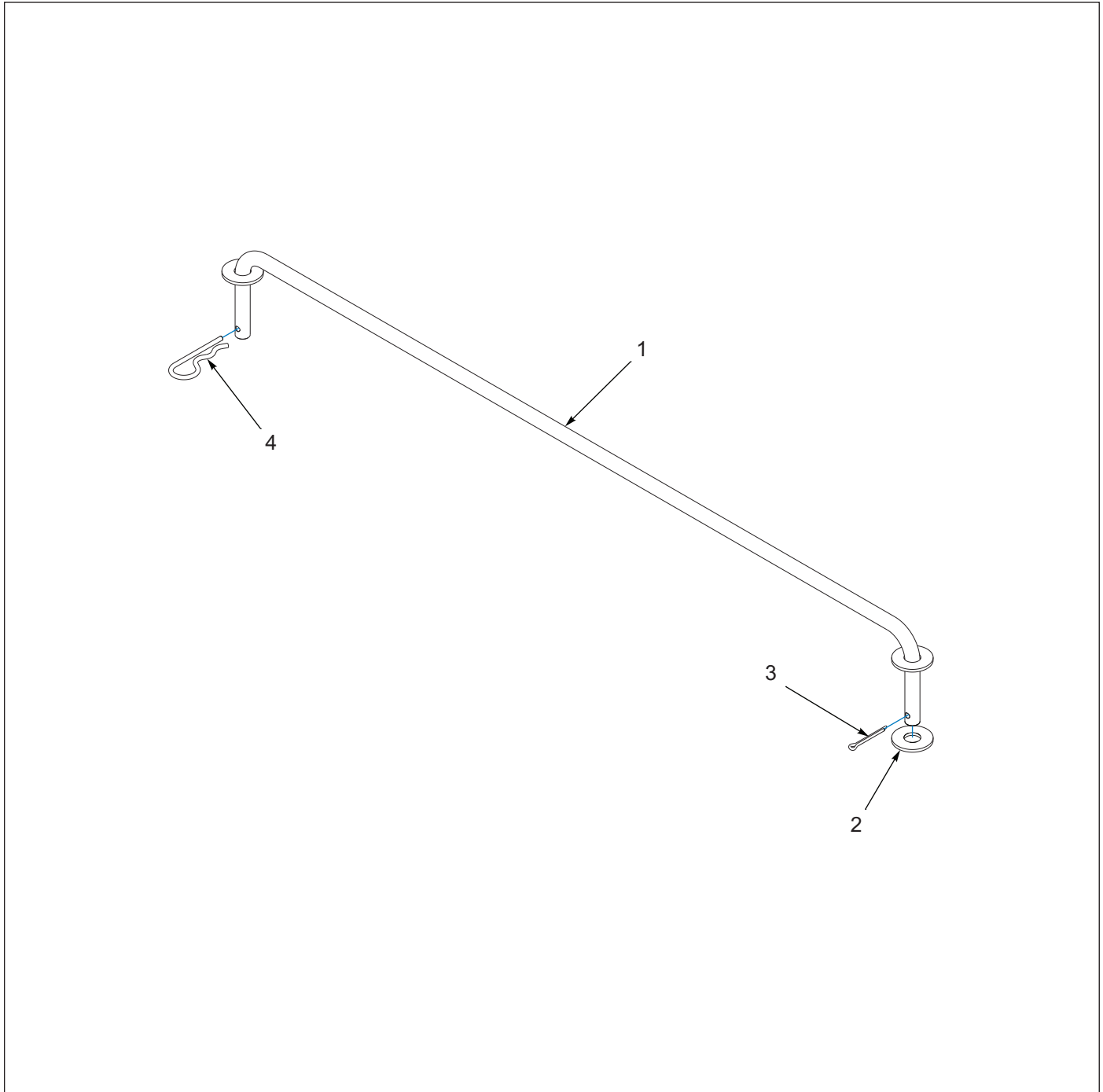


Figure 1-7: Transport Lock

# Transport Lock

ITEM	PART NUMBER	DESCRIPTION	QTY
	2P080	TRANSPORT LOCK ASSM	1
1	2P079	LOCK WLDMT TRANSPORT	1
2	1C120	WASHER, FLAT 1/2 W ZP/CD	1
3	2C298	COTTER PIN 1/8X1-1/4	1
4	4C856	HAIR PIN COTTER	1

ILLUSTRATED PARTS LIST

Rear to Front Hitch

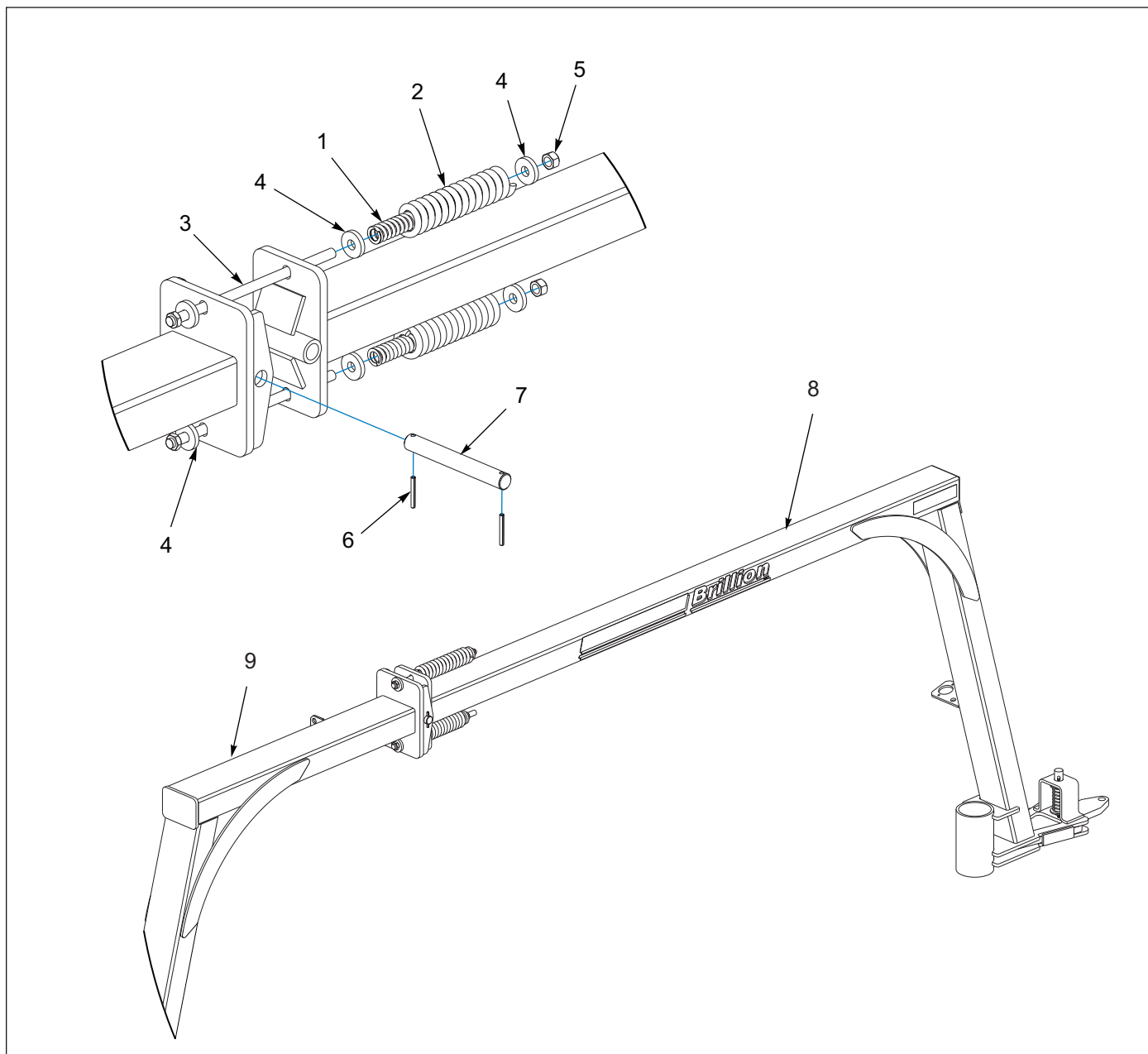


Figure 1-8: Rear to Front Hitch

Rear to Front Hitch

ITEM	PART NUMBER	DESCRIPTION	QTY
1	6D362	INNER SPRING	2
2	4K076	OUTER SPRING	2
3	1P882	SPRING BOLT	2
4	6K158	WASHER - 3/8" THICK	6
5	1-512-010005-15	NUT, HEX, SLFLKG GRB 3/4-10	2
6	9J206	5/16 X 2-1/2 ROLL PIN	2
7	3J497	PIN (1-1/4 X 10)	1
8	1P994	LONG HITCH ASSEMBLY (SEE PAGE 1-11)	1
9	1P880	LONG HITCH - FRONT	1

## Long Hitch Assembly (Rear Hitch)

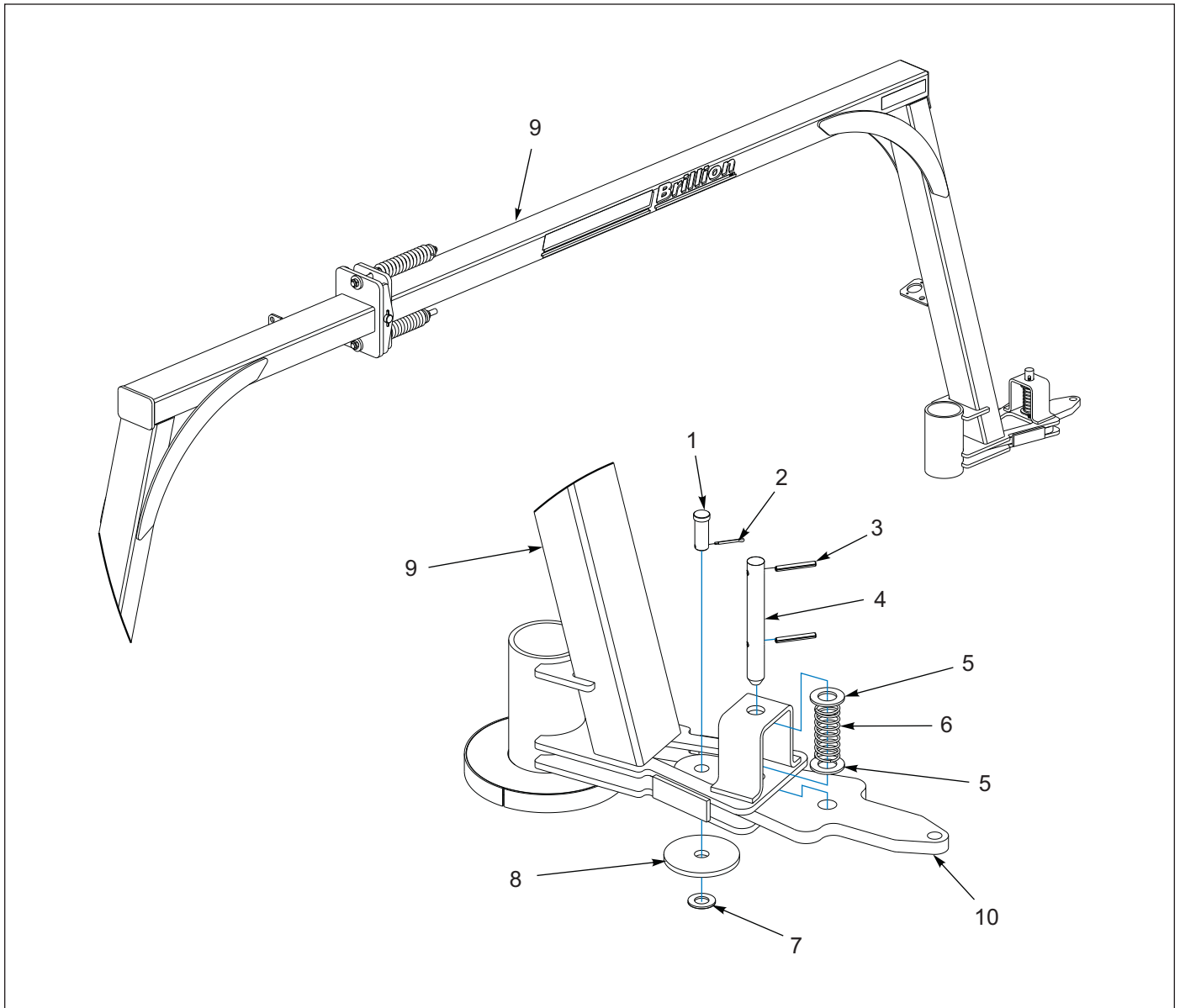


Figure 1-9: Long Hitch Assembly (Rear Hitch)

## Long Hitch Assembly (Rear Hitch)

ITEM	PART NUMBER	DESCRIPTION	QTY
	1P994	LONG HITCH ASSEMBLY	1
1	8D099	CLEVIS PIN	1
2	1-557-010362-51	PIN, COTTER 3/16 X 1-1/2	1
3	1-647-010004259	SPRING PIN, SLOTTED 3/8 X 3	2
4	4K563	PIN (10-1/2" LONG)	1
5	116100	WASHER, 1-1/4 NAR FL ZP/CD	2
6	4K564	COMPRESSION SPRING	1
7	1-861-010032-24	WASHER FL 1IN NARROW, ZP	1
8	1P934	WASHER (1-1/16 ID X 5-1/2 OD)	1
9	1P881	LONG HITCH - REAR	1
10	1P933	HITCH PLATE	1

# Caster Wheel

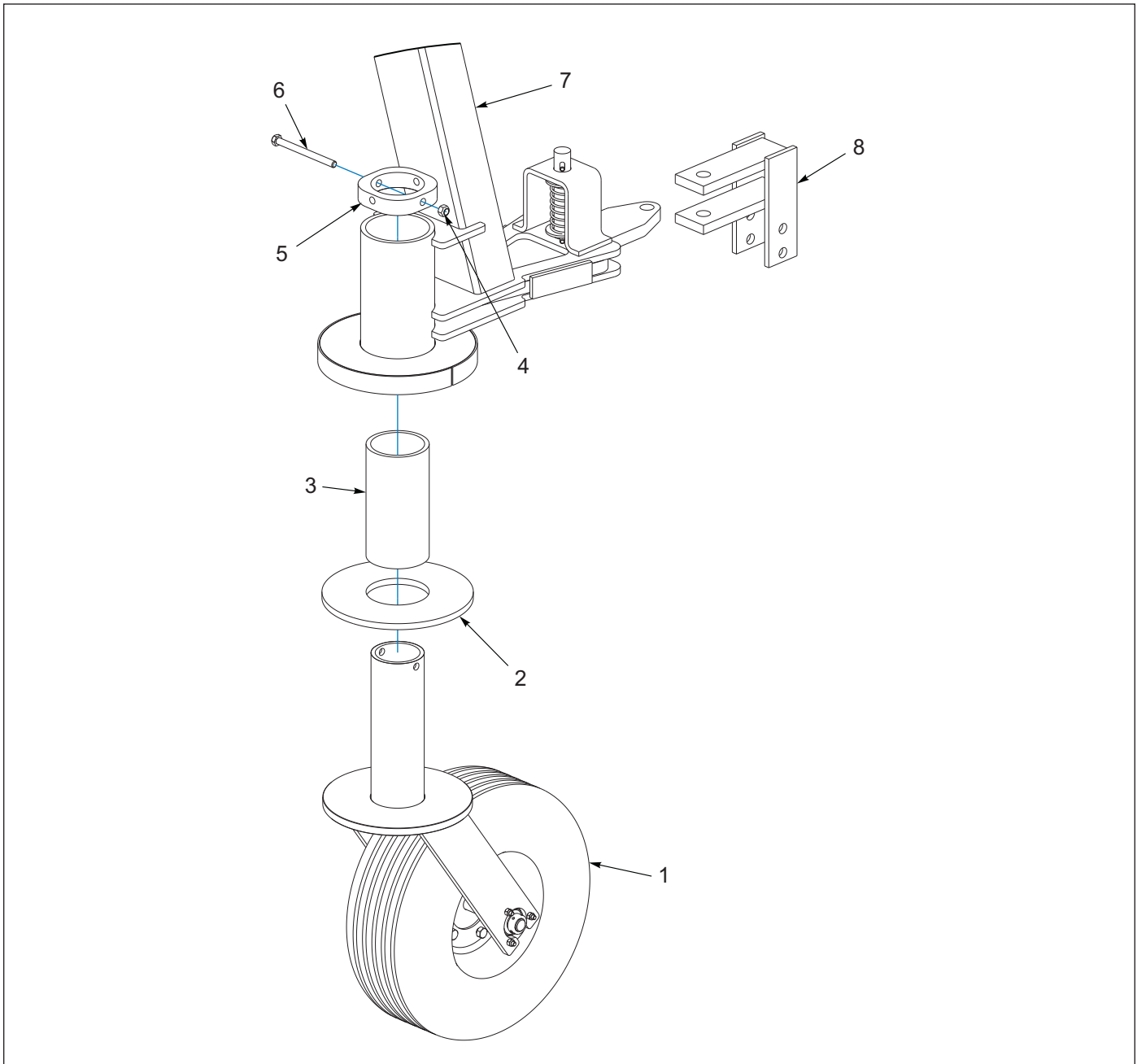


Figure 1-10: Caster Wheel

## Caster Wheel

ITEM	PART NUMBER	DESCRIPTION	QTY
1	1P883	CASTER WHEEL ASM (SEE PAGE 1-13)	1
2	9K983	WEAR DISK	1
3	1P930	BUSHING 4.75OD X 4.062ID X 9.25	1
4	1-512-010005-09	NUT, HEX SLFLKG, 1/2-13 GRB	1
5	9K981	KEEPER PLATE	1
6	1-654-010055-17	SCREW, HEX CAP, 1/2-13UNC X 6, GR5	1
7	1P994	LONG HITCH ASM (REAR) (SEE PAGE 1-13)	1
8	1P885	HITCH	1

## Caster Wheel Assembly

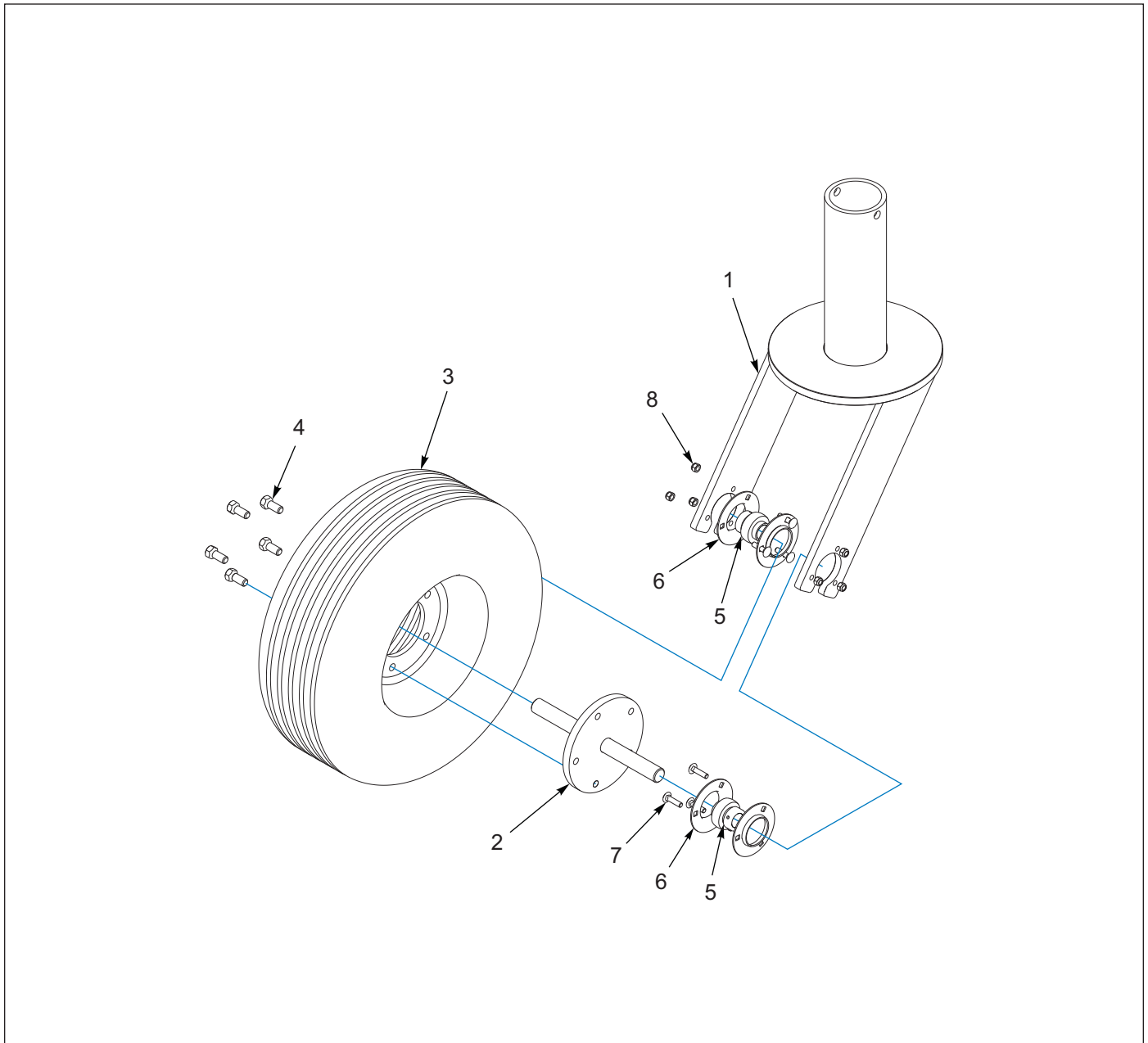


Figure 1-11: Caster Wheel Assembly

## Caster Wheel Assembly

ITEM	PART NUMBER	DESCRIPTION	QTY
	1P883	CASTER WHEEL ASM	1
1	1P886	CASTER WHEEL FORK	1
2	1P887	WHEEL SPINDLE WLDMT	1
3	2K277	WHEEL & TIRE	1
4	5C100	WHEEL BOLT 1/2-20 X 1 GR5, ZP	5
5	5J337	BEARING & COLLAR	2
6	9C601	FLANGETTE	4
7	1P991	CARRIAGE BOLT 5/16-18X1-1/4GR5	6
8	104032	NUT, HX SLF-LKG W/MYL 5/16-18	6

# Hydraulic Layout

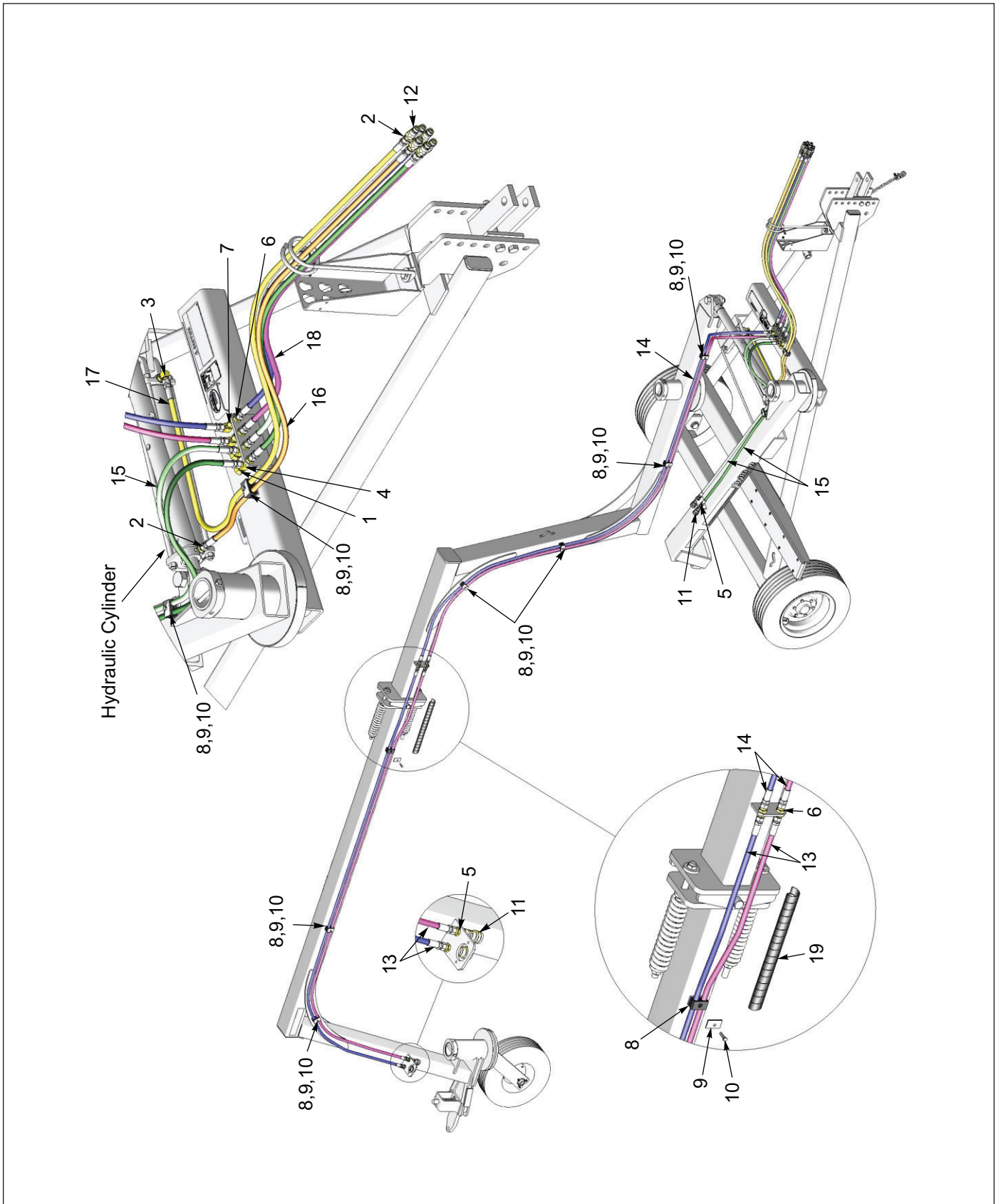


Figure 1-12: Hydraulic Layout

## Hydraulic Layout

ITEM	PART NUMBER	DESCRIPTION	QTY
1	102-0323	CAP (8MJ)	2
2	202702-8-8S	ADAPTER #8 O-RING TO #8 TUBE (8MJ X 8MOR)	7
3	2062-8-8S	ADAPTER, 90°, #8 O-RING-TUBE (ELBOW, 8MJ X 8MOR)	1
4	1P292	08MJ MALE BULKHEAD RUN TEE	2
5	1P782	BULKHEAD, 08MJ X 08MOR	4
6	102-0322	37 FLARE BULKHEAD/37 FLARE (BULKHEAD 8MJ)	4
7	2071-8-8S	ADAPTER90 #8 FLR SWIVEL #8JIC (ELBOW, 8MJ X 8FJS)	2
8	1P937	TWIN CLAMP PAIR,.67" DIA	9
9	1P938	TWIN TOP PLATE	9
10	1-654-010049-06	SCREW,H/CAP,5/16-18UNCX1-1/4	9
11	5K499	HYDRALIC COUPLING (8 O-RING)	4
12	141828	COUPLER,MALE 3/4-16 O-RING (8 O-RING)	6
13	159569	HOSE ASSY 3/8X161,#8JIC SWVL	2
14	150273	HOSE ASSY 3/8X185 #8JIC SWIVL	2
15	122909	HOSE ASSY 3/8X82,#8 JIC SWVL	2
16	116492	HOSE ASSY 3/8X128 #8 JIC SW	1
17	144342	HOSE ASSY 3/8X150 #8 JIC SWIV	1
18	139213	HOSE ASSY 3/8X105 #8JIC SWIVEL	4
19	1P995	HOSE WRAP, 26"	1

# Hydraulic Schematic

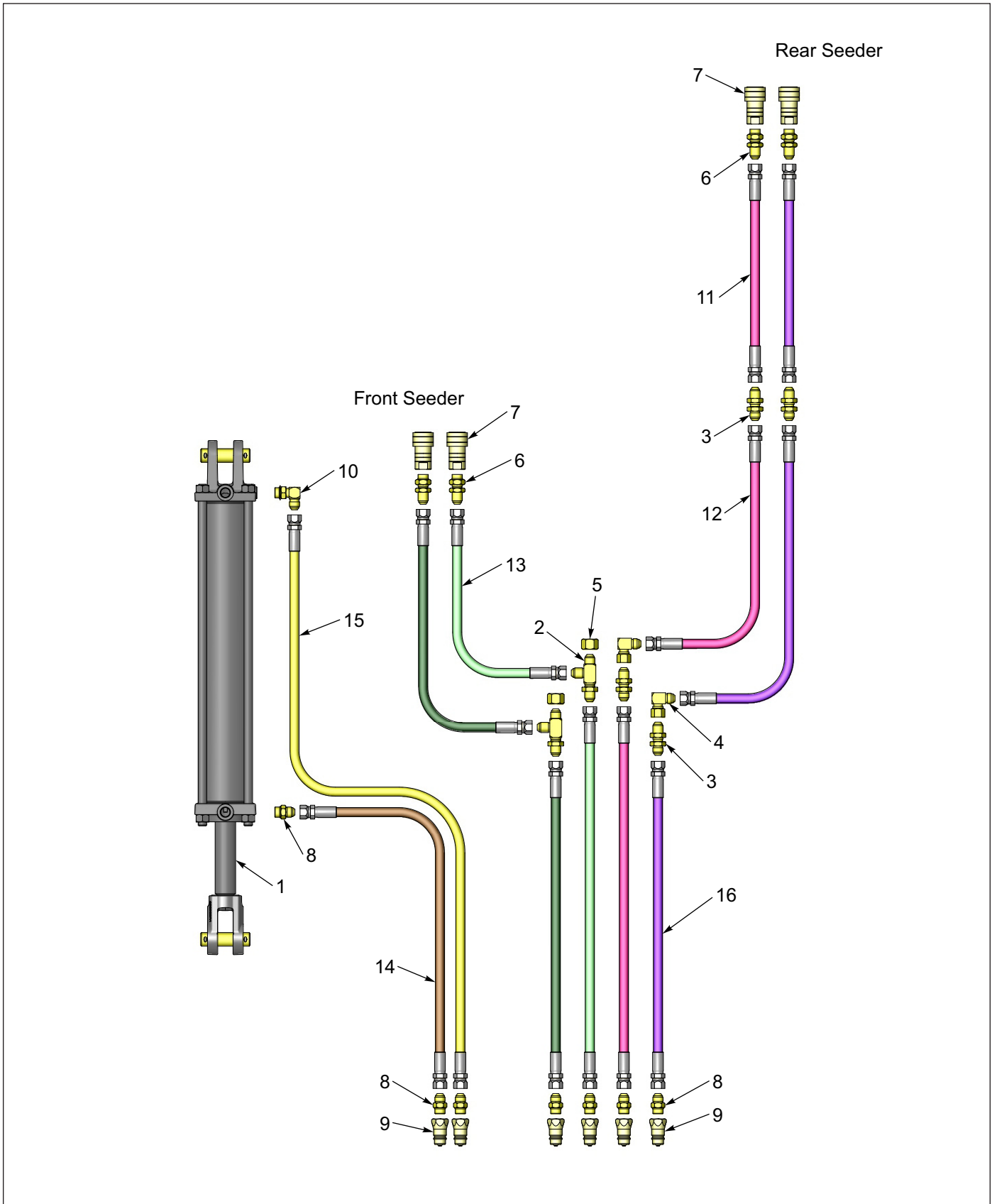


Figure 1-13: Hydraulic Schematic

## Hydraulic Schematic

ITEM	PART NUMBER	DESCRIPTION	QTY
1	6K843	HYD CYLINDER - 3-1/2 X 16 (SEE PAGE 1-23)	1
2	1P292	08MJ MALE BULKHEAD RUN TEE	2
3	102-0322	37 FLARE BULKHEAD/37 FLARE (BULKHEAD 8MJ)	4
4	2071-8-8S	ADAPTOR#90 #8 FLR SWIVEL #8JIC (ELBOW, 8MJ X 8FJS)	2
5	102-0323	CAP (8MJ)	2
6	1P782	BULKHEAD, 08MJ X 08MOR	4
7	5K499	HYDRAULIC COUPLING (8 O-RING)	4
8	202702-8-8S	ADAPTER #8 O-RING TO #8 TUBE (8MJ X 8MOR)	7
9	141828	COUPLER,MALE 3/4-16 O-RING (8 O-RING)	6
10	2062-8-8S	ADAPTER, 90°, #8 O-RING-TUBE (ELBOW, 8MJ X 8MOR)	1
11	159569	HOSE ASSY 3/8X161,#8JIC SWVL	2
12	150273	HOSE ASSY 3/8X185 #8JIC SWIVL	2
13	122909	HOSE ASSY 3/8X82,#8 JIC SWVL	2
14	116492	HOSE ASSY 3/8X128 #8 JIC SW	1
15	144342	HOSE ASSY 3/8X150 #8 JIC SWIV	1
16	139213	HOSE ASSY 3/8X105 #8JIC SWIVEL	4

# Electrical

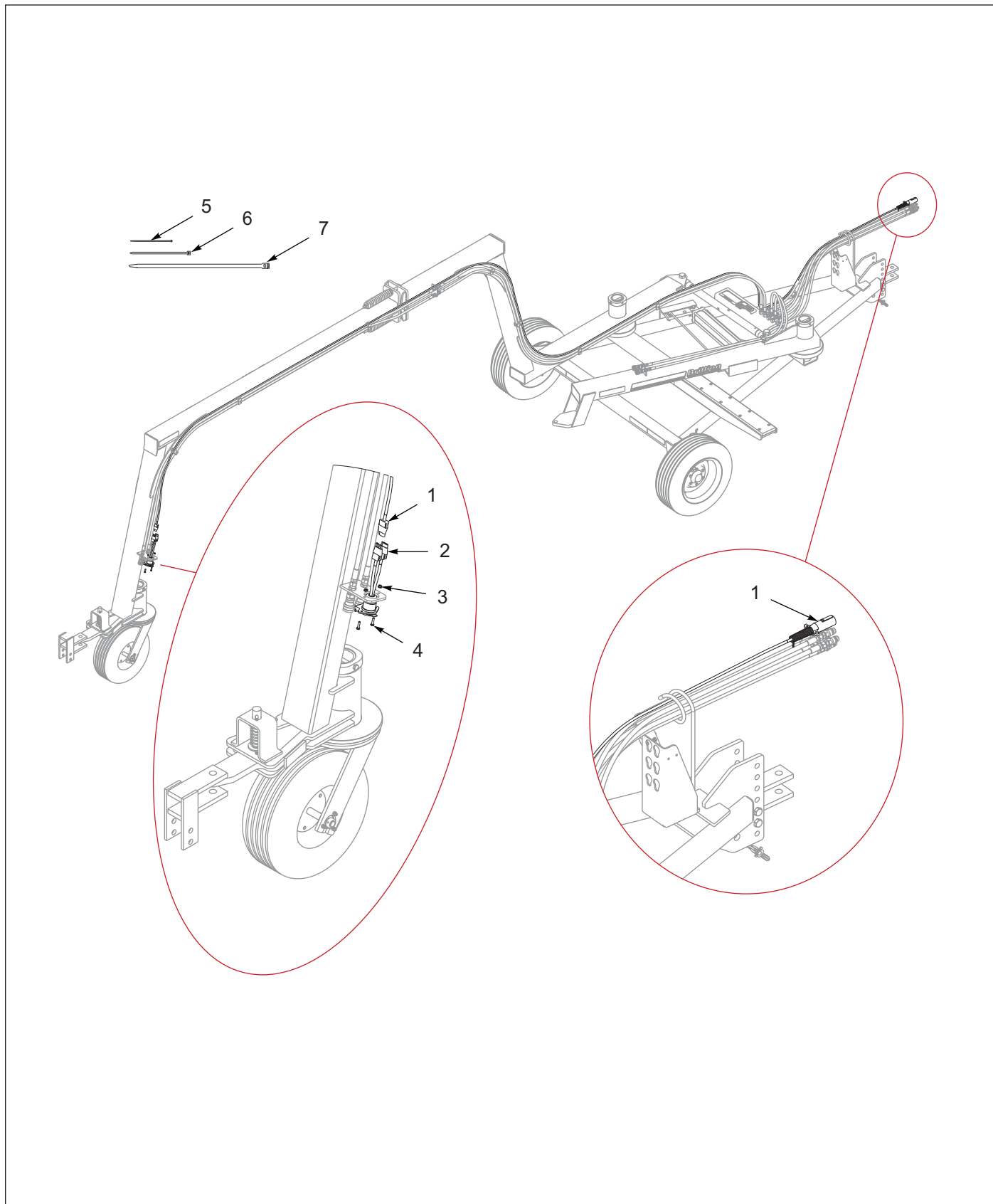


Figure 1-14: Electrical

## Electrical

ITEM	PART NUMBER	DESCRIPTION	QTY
1	175152	HARNESS 7 PIN/4 PIN WP (AFTER 08/01/2023) (25FT)	1
1	8K662	AG HARNESS ASM - 37'-6" (BEFORE 08/01/2023)	1
2	143871	HARNESS, TANDEM ADAPTER (AFTER 08/01/2023)	2
2	4K826	TANDEM HAUL ADAPTER (002500) (BEFORE 08/01/2023)	1
3	108417	NUT SPIRAL 1/4-20HX FG	2
4	1-654-010047-06	SCREW, HX CP 1/4-20UNC X 1 GR5	2
5	105-0214	TY-WRAP 1/16-1-1/8 TY-524MX (5")	12
6	105-0228	TYWRAP 8IN LG TY-5272MX (8")	6
7	105874	TIE,STRAP PLSTC 21.5-24X.301	4

ILLUSTRATED PARTS LIST

Track Remover Kit - Optional

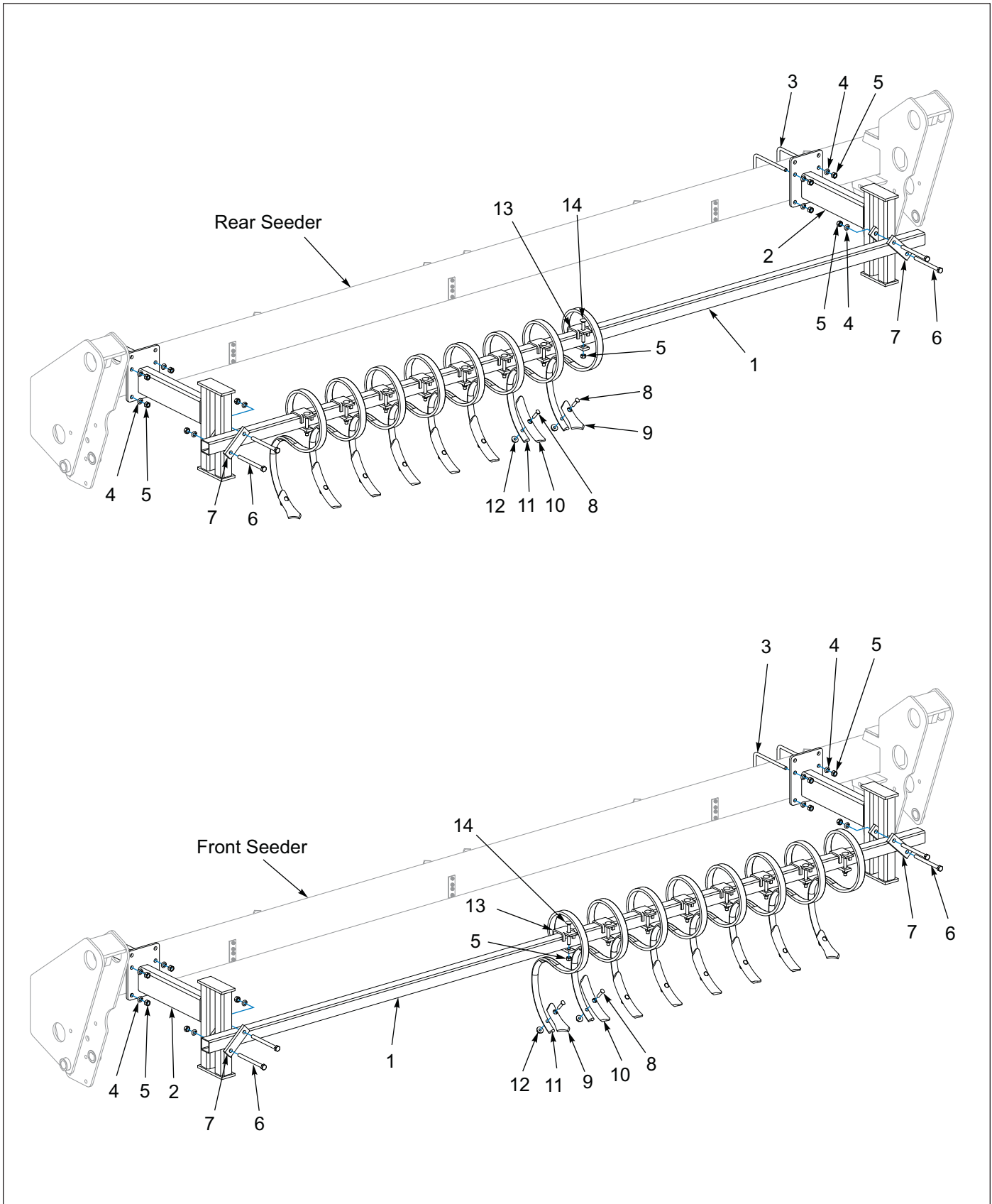


Figure 1-15: Track Remover Kit - Optional

## Track Remover Kit - Optional

ITEM	PART NUMBER	DESCRIPTION	QTY
	185305	TRACK REMOVER KIT, BDH512	1
1	9J962	TUBE (12' MODEL) (8' AND 10' MODELS CUT TO LENGTH)	2
2	9J474	BRACKET	4
3	3J561	U-BOLT, 1/2-13 X 7-1/2 X 4-1/2	8
4	1-861-010034-13	WASHER, LKG HLCL SPR, 1/2	24
5	1-512-010007-09	NUT, HEX 1/2-13 ZP	24
6	1-654-010055-17	SCREW, HEX CAP, 1/2-13UNC X 6, GR5	8
7	5J358	STRAP	8
8	7D728	CULTIVATOR BOLT	16
9	7D014	DUCKFOOT POINT	4
10	2J155	HEAVY DUTY REVERSIBLE POINT	12
11	1J887	S-TINE, 10mm X 32mm	16
12	5J616	FLANGE LOCK NUT 3/8-16	16
13	1J834	CLAMP	16
14	2J241	SCREW, 7/16-14NC X 3-1/2 RDHD SQNK	16



### Hydraulic Cylinder, 3-1/2 x 16 - Lion - 671657

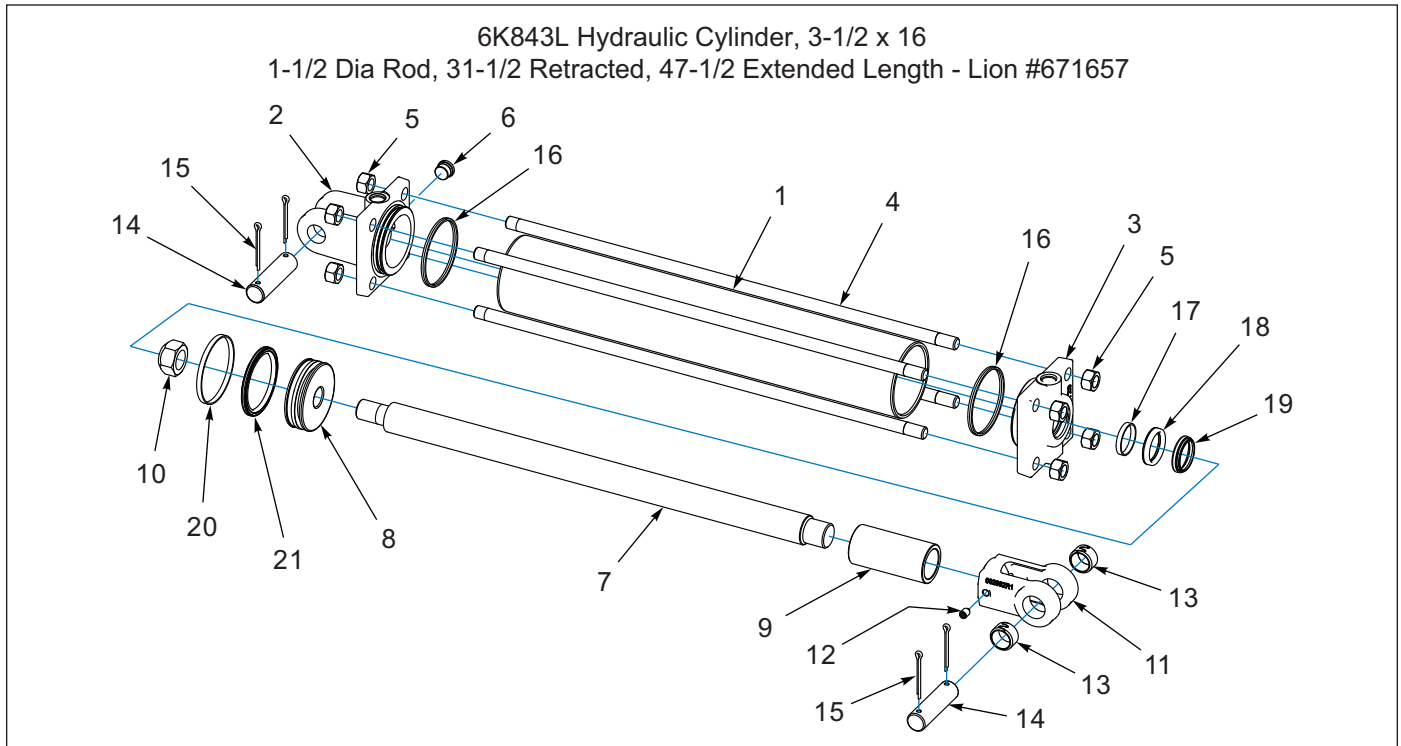
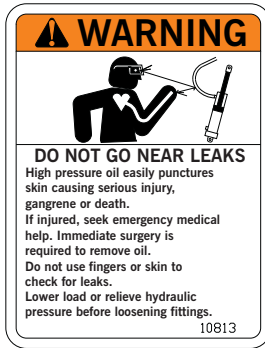


Figure 1-16: Hydraulic Cylinder, 3-1/2 x 16 - Lion - 671657

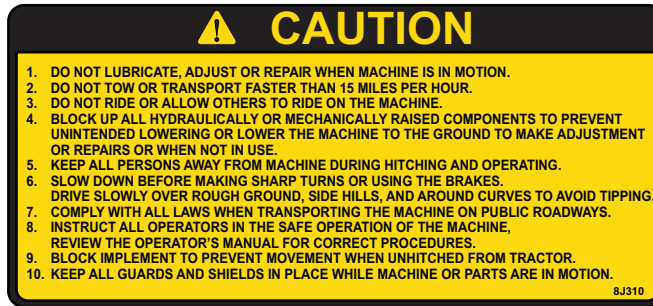
### Hydraulic Cylinder, 3-1/2 x 16 - Lion - 671657

ITEM	PART NUMBER	DESCRIPTION	QTY
	6K843	HYD CYLINDER - 3 1/2 X 16	1
1	-----	TUBE	1
2	-----	CLEVIS CAP	1
3	-----	ROD CAP	1
4	-----	TIE ROD	4
5	-----	NUT,HEX 5/8-18,ZP	8
6	-----	PLUG,SOCKET HEAD 3/4-16	1
7	-----	ROD	1
8	-----	PISTON	1
9	-----	STOP TUBE	1
10	-----	NUT,LOCK 1-14,GRB,ZP	1
11	2P111	ROD CLEVIS <b>(INCLUDES ITEMS 12 AND 13)</b>	1
12	1P443	SET SCREW,3/8-16 X 1/2 NYLON TIP	1
13	3P079	SPRING BUSHING, 1.0 X 1.25 X 0.75	2
14	5J650	PIN, 1.0 X 3.625 H2	2
15	110-4224	PIN,COTTER 3/16 X 2IN LG	4
16	-----	SEAL,BU#236 19PI-236	2
17	-----	O-RING,236 (3.25 X 3.5) D90	2
18	-----	SEAL,HALLITE 605 ROD 1-1/2D	1
19	-----	SEAL,NOK-AR2263-EO 1-1/2"BO	1
20	-----	O-RING,151 (3.0 X 3.188) DURO90	1
21	-----	SEAL,PTFE PISTON RING 3-1/2D	1
22	-----	WEAR RING,3.50-3.25-.25-GFN	1
23	1P744	LION CYLINDER SEAL KIT(3.5") <b>(INCLUDES ITEMS 16-22)</b>	1

Decals



ITEM 1 - 3K706



ITEM 2 - 8J310



ITEM 3 - 4K037



ITEM 4 - 4K039



ITEM 5  
528933



ITEM 6  
528934



ITEM 7  
528938



ITEM 8 - 1-573-010006

Figure 1-17: Decals

## Decals

ITEM	PART NUMBER	DESCRIPTION	QTY
1	3K706	DECAL-WARNING HYDRAULIC LEAKS	1
2	8J310	DECAL - CAUTION	1
3	4K037	DECAL - BRILLION (2 3/4 X 32)	2
4	4K039	DECAL-BRILLION (3 1/2 X 40)	1
5	528933	REFLECTOR - RED	2
6	528934	REFLECTOR - YELLOW	4
7	528938	STRIPE, ORANGE	2
8	1-573-010006	PLACARD, NAME	1
9	107-0814	RIVET 1/8X1/8 A LUM POP (HARDWARE FOR ITEM 8)	2

# Decal Locations

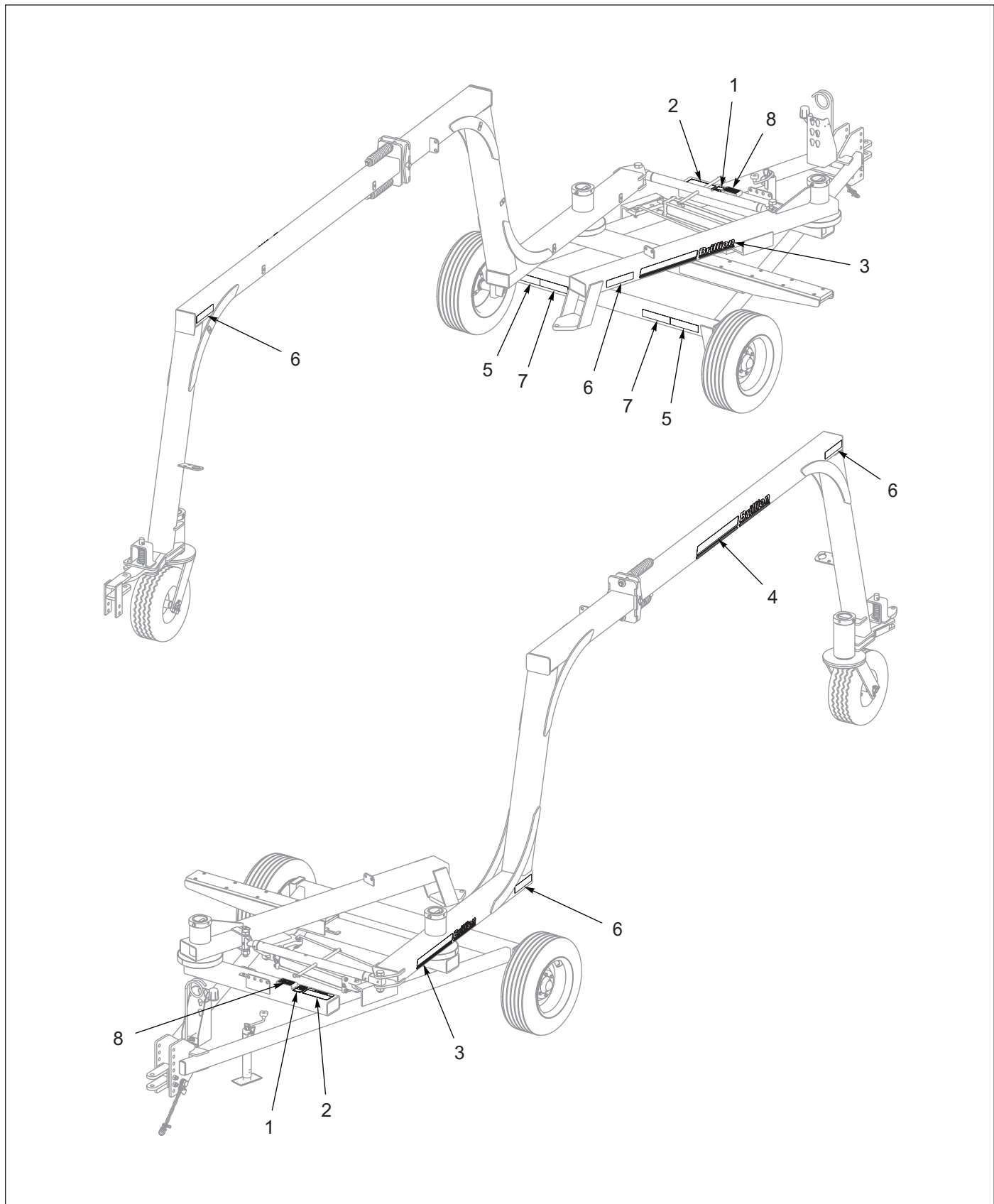


Figure 1-18: Decal Locations

## Glossary

For clarity this glossary of industry standard abbreviations and their definitions are provided.

**A**

**ASM** ..... Assembly

**B**

**BATT** ..... Battery  
**BHSC** ..... Button Head Socket Cap  
**BLK** ..... Black

**C**

**CB** ..... Carriage Bolt  
**CONN** ..... Connector  
**CRG** ..... Carriage  
**CTSK** ..... Countersunk  
**CTWT** ..... Counterweight  
**CVR** ..... Cover  
**CYD** ..... Cylinder

**D**

**DBL** ..... Double  
**DIA** ..... Diameter

**E**

**ENCLSD** ..... Enclosed

**F**

**FHCS** ..... Flanged Head Cap Screw  
**FHHCS** ..... Flanged Hex Head Cap Screw  
**FL OR FLG** ..... Flange  
**FLT** ..... Flat

**G**

**GA** ..... Gauge

**H**

**HHCS** ..... Hex Head Cap Screw  
**HCS** ..... High Carbon Steel  
**HD** ..... Head  
**HLCL** ..... Helical  
**HCSKT** ..... Hex Socket  
**HSFC** ..... Hex Socket Flat Countersunk  
**HYD** ..... Hydraulic

**I**

**ID** ..... Inside Diameter

**L**

**LH** ..... Lefthand  
**LKG OR LOCK** ..... Locking  
**LWR** ..... Lower

**M**

**MANF** ..... Manifold  
**MNT** ..... Mount

**N**

**NRW** ..... Narrow  
 ----- ..... Not Serviced Separately

**O**

**OD** ..... Outside Diameter  
**OHG** ..... Overhead Guard  
**ORFS OR ORS** ..... O-Ring Seal  
**ORP OR ORB** ..... O-Ring Boss

**P**

**P-STEER** ..... Power Steering  
**PTFE** ..... Polytetrafluoroethylene (Teflon)

**GLOSSARY**

---

**R**

---

RH ..... Righthand  
RND ..... Round

**S**

---

SER ..... Series  
SHCS ..... Socket Head Cap Screw  
SHLD ..... Shield  
SKT ..... Socket  
SLFLKG ..... Selflocking  
SOC ..... Socket  
SPDT ..... Single Pole Double Throw  
SPR ..... Spring  
SQ ..... Square  
SRTD ..... Serrated  
SSCR ..... Setscrew  
SST ..... Stainless Steel  
STD ..... Standard

**U**

---

UPR ..... Upper

**W**

---

WHL ..... Wheel  
WLD OR WLDMT ..... Weldment

**Numerics**

100855 .....	1-3	1-861-010032-19 .....	1-3
101385 .....	1-7	1-861-010032-24 .....	1-3, 1-4, 1-11
102-0322 .....	1-15, 1-17	1-861-010034-13 .....	1-21
104032 .....	1-13	1C120 .....	1-9
105-0214 .....	1-19	1J834 .....	1-21
105-0228 .....	1-19	1J887 .....	1-21
105874 .....	1-19	1P292 .....	1-15, 1-17
1-076-010007 .....	1-4	1P443 .....	1-23
1-076-010010 .....	1-4	1P744 .....	1-23
108417 .....	1-3, 1-19	1P782 .....	1-15, 1-17
110-4224 .....	1-23	1P878 .....	1-3
116100 .....	1-11	1P879 .....	1-7
1-161-010003 .....	1-4	1P880 .....	1-7
1-298-010001-1 .....	1-4, 1-8	1P881 .....	1-11, 1-12
141433 .....	1-3	1P882 .....	1-10
1-512-010005-05 .....	1-3	1P883 .....	1-12
1-512-010005-09 .....	1-7, 1-12	1P884 .....	1-7, 1-8
1-512-010005-13 .....	1-3	1P885 .....	1-12
1-512-010005-15 .....	1-3, 1-10	1P886 .....	1-13
1-512-010005-19 .....	1-3	1P887 .....	1-13
1-512-010007-09 .....	1-21	1P888 .....	1-8
1-516-010001-20 .....	1-4	1P889 .....	1-8
1-557-010362-51 .....	1-4, 1-11	1P930 .....	1-7, 1-12
1-647-010004177 .....	1-8	1P933 .....	1-11
1-647-010004259 .....	1-11	1P934 .....	1-11
1-654-010047-04 .....	1-3	1P937 .....	1-15
1-654-010047-06 .....	1-19	1P938 .....	1-15
1-654-010049-06 .....	1-15	1P942 .....	1-15, 1-17
1-654-010051-13 .....	1-3	1P989 .....	1-7
1-654-010055-17 .....	1-7, 1-12, 1-21	1P990 .....	1-7
1-654-010059-06 .....	1-3	1P991 .....	1-13
1-654-010065-08 .....	1-3	1P994 .....	1-10, 1-11
185305 .....	1-21	1P995 .....	1-15
		202702-8-8S .....	1-15, 1-17
		2062-8-8S .....	1-15, 1-17

**INDEX**

---

2071-8-8S	1-15, 1-17	6J448	1-8
2107649	1-4	6J765	1-4
2C298	1-9	6J766	1-3, 1-4
2J155	1-21	6K158	1-10
2J241	1-21	6K843	1-17, 1-23
2K277	1-13	712099	1-4
2K912	1-8	7D014	1-21
2P079	1-9	7D728	1-21
2P080	1-7, 1-9	7K802	1-5
2P111	1-23	7K804	1-3, 1-5
2P447	1-3	8D099	1-11
2P449	1-3	8J792	1-5
3J497	1-10	8K629	1-15, 1-17
3J561	1-21	8K662	1-19
3J880	1-3	8K664	1-3
3P079	1-23	8K786	1-15, 1-17
4C856	1-9	8K832	1-15, 1-17
4K076	1-10	8K885	1-3
4K563	1-11	9C601	1-13
4K564	1-11	9J206	1-10
4K606	1-15, 1-17	9J474	1-21
4K612	1-15, 1-17	9J962	1-21
4K636	1-3	9K981	1-7, 1-12
4K826	1-19	9K983	1-7, 1-12
4K888	1-15, 1-17		
4K912	1-15, 1-17		
5210	1-8		
5C100	1-3, 1-13		
5J337	1-13		
5J358	1-21		
5J616	1-21		
5J650	1-23		
5K499	1-15, 1-17		
6D312	1-5		
6D333	1-3		
6D336	1-4		
6D338	1-4		
6D362	1-10		



# Instructions for Ordering Parts

**\*\* Repair parts must be ordered through an authorized dealer \*\***

## DEALER INSTRUCTIONS FOR ORDERING PARTS FROM LANDOLL PARTS DISTRIBUTION CENTER

PHONE #: 800-423-4320 OR 785-562-5381

FAX #: 888-527-3909

ORDER ONLINE: [Dealer.landoll.com](http://Dealer.landoll.com)

### DATA PLATE

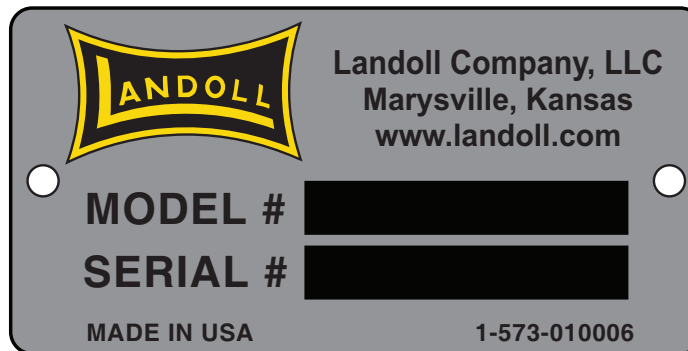
The Data Plate lists the model and serial number of the equipment.  
It is located on the right side of the Brillion Double Seeder Hitch.

### SERIAL NUMBER NOMENCLATURE

The following information will help decode the Landoll serial number.

**ASD24000100 = xxmyysss**

<b>xx</b>	= model series (i.e. "AS" for all Agricultural Seeders)
<b>m</b>	= month of manufacture (ex. "D" means April. The letter I is not used.)
<b>yy</b>	= last digits of the year manufactured (ex. "24" means 2024)
<b>sss</b>	= Sequential number used to track warranty and service information.



**Figure 4-1: Data Plate**

## Manuals for BDH512 - Double Seeder Hitch

Manual Number	Manual Type
F-645	Operator's Manual
F-646	Parts Manual

# Document Control Revision Log:

Date	Form #	Improvement(s): Description and Comments
	F-646-R1	Initial Release
08/2023	F-646-2308	Update AG Harness
08/2024	F-646-2408	Update Template



**intertek**

Equipment from Landoll Company, LLC is built to exacting standards ensured by ISO 9001:2015 registration at all Landoll manufacturing facilities.

# **Double Seeder Hitch BDH512 Parts Manual**

## **Re-Order Part Number F-646**

**LANDOLL COMPANY, LLC**

1900 North Street

Marysville, Kansas 66508

(785) 562-5381

**800-428-5655 ~ WWW.LANDOLL.COM**



Copyright 2024. Landoll Company, LLC

“All rights reserved, including the right to reproduce this material or portions thereof in any form.”

