



®

**SOIL BUILDER
Coulter Chisel
Models: CD53-1, 73-1 and HCD73-1
Parts Manual**



LANDOLL COMPANY, LLC

1900 North Street

Marysville, Kansas 66508

(785) 562-5381

800-428-5655 ~ WWW.LANDOLL.COM

Table of Contents

1 Illustrated Parts List

Instructions for Ordering Parts	1-1
ID Plate	1-1
5 Shank Frame and Wheel Arms	1-2
7 Shank Frame and Wheel Arms	1-4
Left Hand Axle Arm Assembly	1-6
Right Hand Axle Arm Assembly	1-7
Hub and Spindle Assembly	1-8
Tire and Wheel Assembly - 5 Shank Models	1-9
Tire and Wheel Assembly - 7 Shank Models	1-10
Drawbar Assembly	1-12
Brace Rod Assembly	1-14
Shank and Spring Clamp Assembly	1-15
Spring Clamp Assembly	1-16
Shank and Rigid Clamp	1-18
Points	1-20
Manual Coulter 5 Shank	1-22
Manual Coulter 7 Shank	1-24
Hydraulic Coulter 7 Shank	1-26
Spring Rod Assembly	1-28
Hydraulic Spring Rod Assembly	1-29
11 Gang Coulter Assembly	1-30
8 Gang Coulter Assembly	1-32
7 Gang Coulter Assembly	1-34
Coulter and Spool Assembly - 11	1-36
Coulter and Spool Assembly - 8	1-37
Coulter and Spool Assembly - 7	1-38
Hydraulic Schematic - 5 Shank	1-39
Hydraulic Layout - 5 Shank	1-40
Hydraulic Schematic - 7 Shank	1-41
Hydraulic Layout - 7 Shank	1-42
Hydraulic Coulter Schematic - 7 Shank	1-43
LED Warning Lights - 08/01/2013 and After, 5 Shank	1-44
LED Warning Lights - 08/01/2013 and After, 7 Shank	1-46
Warning Lamp Assembly - 07/31/2014 and Prior	1-48
Decals (1 of 2)	1-50
Decals (2 of 2)	1-51

Hydraulic Cylinder - 3 X 8	1-52
Hydraulic Cylinder - 3 X 8	1-53
Hydraulic Cylinder - 3 X 8	1-54
Hydraulic Cylinder - 3 X 8	1-56
Hydraulic Cylinder - 3 X 8	1-57

2 Numerical Index

3 Glossary

Illustrated Parts List

Instructions for Ordering Parts

**** Repair parts must be ordered through an authorized dealer ****

DEALER INSTRUCTIONS FOR ORDERING PARTS FROM LANDOLL PARTS DISTRIBUTION CENTER

PHONE: 800-423-4320 OR 785-562-5381

FAX: 888-527-3909

ORDER ONLINE: Dealer.landoll.com

DATA PLATE

The Data Plate, which lists the model and serial number of the equipment, is located on the left front of the Soil Builder.

SERIAL NUMBER NOMENCLATURE

The following information will help decode the Landoll serial number.

SBF2200100 = xxmyysss

xx	= model series (i.e. "SB" for all Soil Builders)
m	= month of manufacture (ex. "F" means June. The letter I is not used.)
yy	= year manufactured (ex. "22" means 2022)
sss	= Sequential number used to track warranty and service information.



Figure 1-1: Data Plate

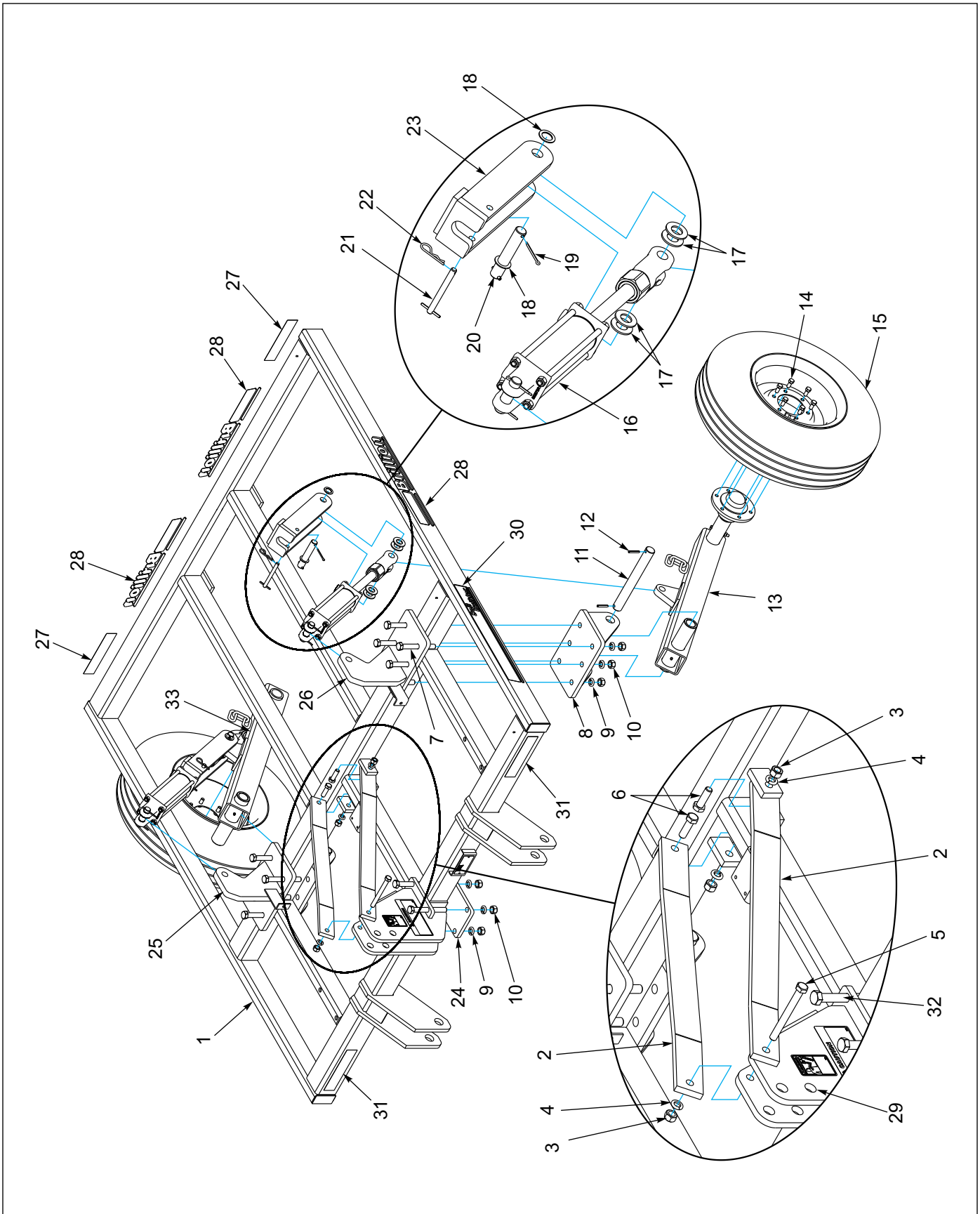


Figure 1-2: 5 Shank Frame and Wheel Arms

5 Shank Frame and Wheel Arms

ITEM	PART NUMBER	DESCRIPTION	QTY
1	4J591	FRAME WELDMENT	1
2	2J831	MAST BRACE	2
3	1-512-010007-11	NUT, HEX 5/8-11 GR2, ZP	3
4	1-861-010034-15	WASHER,LKG,HLCL SPR,5/8	3
5	1-654-010059-17	HHCS, 5/8-11 X 6	1
6	1-654-010059-05	SCREW, HEX CAP, 5/8-11UNC X 2, GR5	2
7	120876	SCREW, HEXCAP, 3/4-10 X 6-1/2, GR8	12
8	2J817	GAGE WHEEL BRKT	2
9	1-861-010034-17	WASHER, LKG, HLCL SPR, 3/4	16
10	1-512-010007-12	NUT, HEX 3/4-10 GR2, ZP	16
11	2J736	PIN	2
12	147072	PIN, SPRING SLOTTED 5/16 X 2	4
13	2J734	LH AXLE ARM ASM (SEE FIGURE 1-4)	1
14	5C100	WHEEL BOLT 1/2-20 X 1 GR5, ZP	12
15	6K919	WHEEL 8J790/NO TUBE/6D312 (SEE FIGURE 1-7)	2
16	2J674	HYD CYLINDER - 3 X 8 (SEE FIGURE 1-39)	2
17	1-861-010032-24	WASHER FL 1IN NARROW, ZP	8
18	7C076	MACHINERY BUSHING	4
19	110-4224	PIN, COTTER 3/16 X2 IN LG	2
20	5J572	PIN ASSEMBLY	2
21	2J753	PIN ASSEMBLY	2
22	4C856	HAIR PIN COTTER	2
23	2J696	CYL. LOCKOUT WELDMENT	2
24	2J847	PLATE	1
25	2J820	RH CYLINDER LUG	1
26	2J819	LH CYLINDER LUG	1
27	528933	REFLECTOR - RED	2
28	4K036	DECAL-BRILLION (2 3/4 X 20)	4
29	2J724	MAST	1
30	4K140	DECAL - "SOIL BUILDER"	2
31	528934	REFLECTOR - YELLOW	2
32	100855	SCREW, HHCS, 3/4-10 X 6-1/2, GR5	4
33	2J746	RH AXLE ARM ASM (SEE FIGURE 1-5)	1

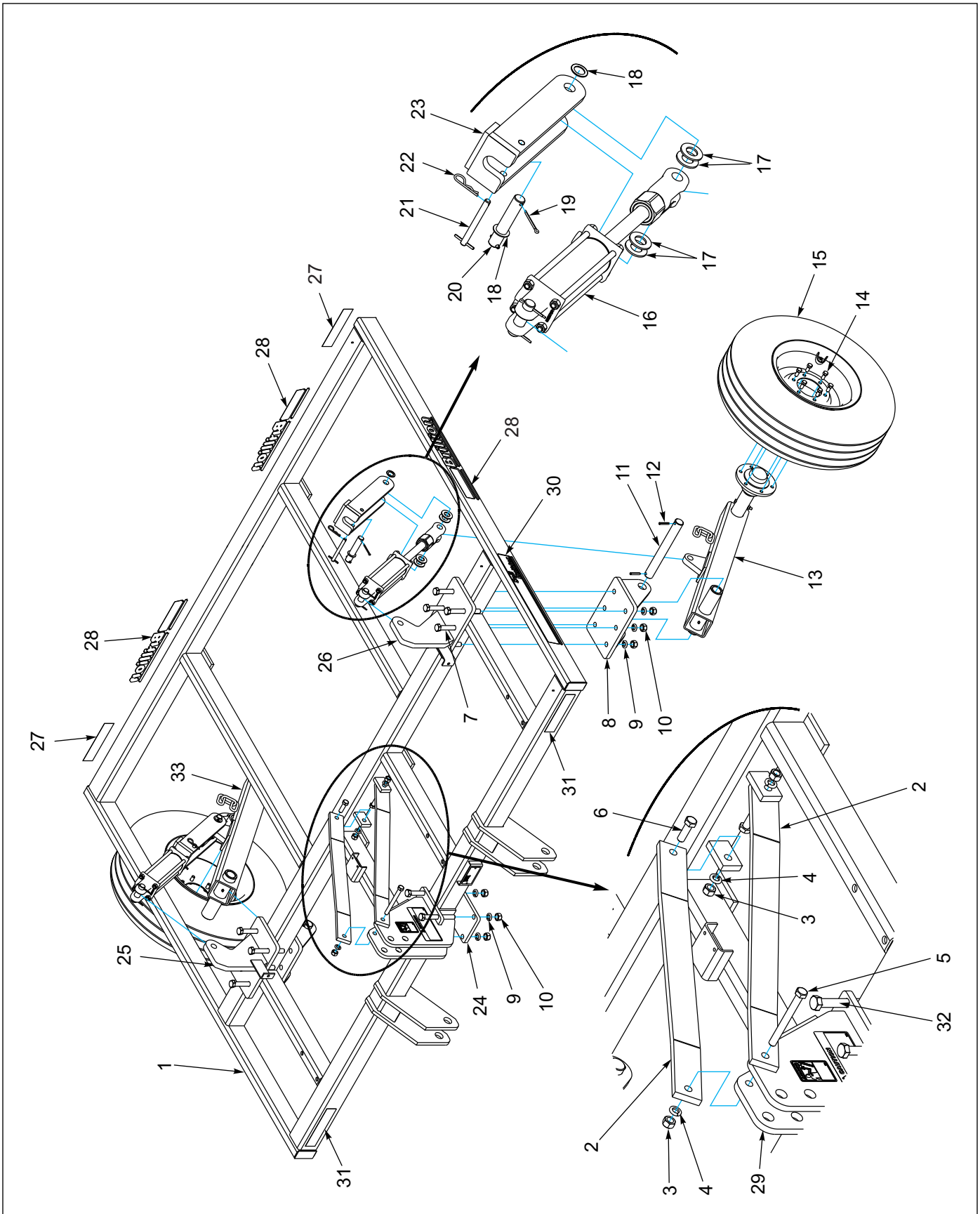


Figure 1-3: 7 Shank Frame and Wheel Arms

7 Shank Frame and Wheel Arms

ITEM	PART NUMBER	DESCRIPTION	QTY
1	3J100	FRAME WELDMENT	1
2	2J831	MAST BRACE	2
3	1-512-010007-11	NUT, HEX 5/8-11 GR2, ZP	3
4	1-861-010034-15	WASHER,LKG,HLCL SPR,5/8	3
5	1-654-010059-17	HHCS, 5/8-11 X 6	1
6	1-654-010059-05	SCREW, HEX CAP, 5/8-11UNC X 2, GR5	2
7	120876	SCREW, HEXCAP, 3/4-10 X 6-1/2, GR8	12
8	2J817	GAGE WHEEL BRKT	2
9	1-861-010034-17	WASHER, LKG, HLCL SPR, 3/4	16
10	1-512-010007-12	NUT, HEX 3/4-10 GR2, ZP	16
11	2J736	PIN	2
12	147072	PIN, SPRING SLOTTED 5/16 X 2	4
13	2J734	LH AXLE ARM ASSM (SEE FIGURE 1-4)	1
14	5C100	WHEEL BOLT 1/2-20 X 1 GR5, ZP	12
15	6K919	WHEEL 8J790/NO TUBE/6D312 (SEE FIGURE 1-3)	2
16	2J674	HYD CYLINDER - 3 X 8 (SEE FIGURE 1-39)	2
17	1-861-010032-24	WASHER FL 1IN NARROW, ZP	8
18	7C076	MACHINERY BUSHING	4
19	110-4224	PIN,COTTER 3/16 X2 IN LG	2
20	5J572	PIN ASSEMBLY	2
21	2J753	PIN ASSEMBLY	2
22	4C856	HAIR PIN COTTER	2
23	2J696	CYL. LOCKOUT WELDMENT	2
24	2J847	PLATE	1
25	2J820	RH CYLINDER LUG	1
26	2J819	LH CYLINDER LUG	1
27	528933	REFLECTOR - RED	2
28	4K036	DECAL-BRILLION (2 3/4 X 20)	4
29	2J724	MAST	1
30	4K140	DECAL - "SOIL BUILDER"	2
31	528934	REFLECTOR - YELLOW	2
32	100855	SCREW, HHCS, 3/4-10 X 6-1/2, GR5	4
33	2J746	RH AXLE ARM ASM (SEE FIGURE 1-5)	1

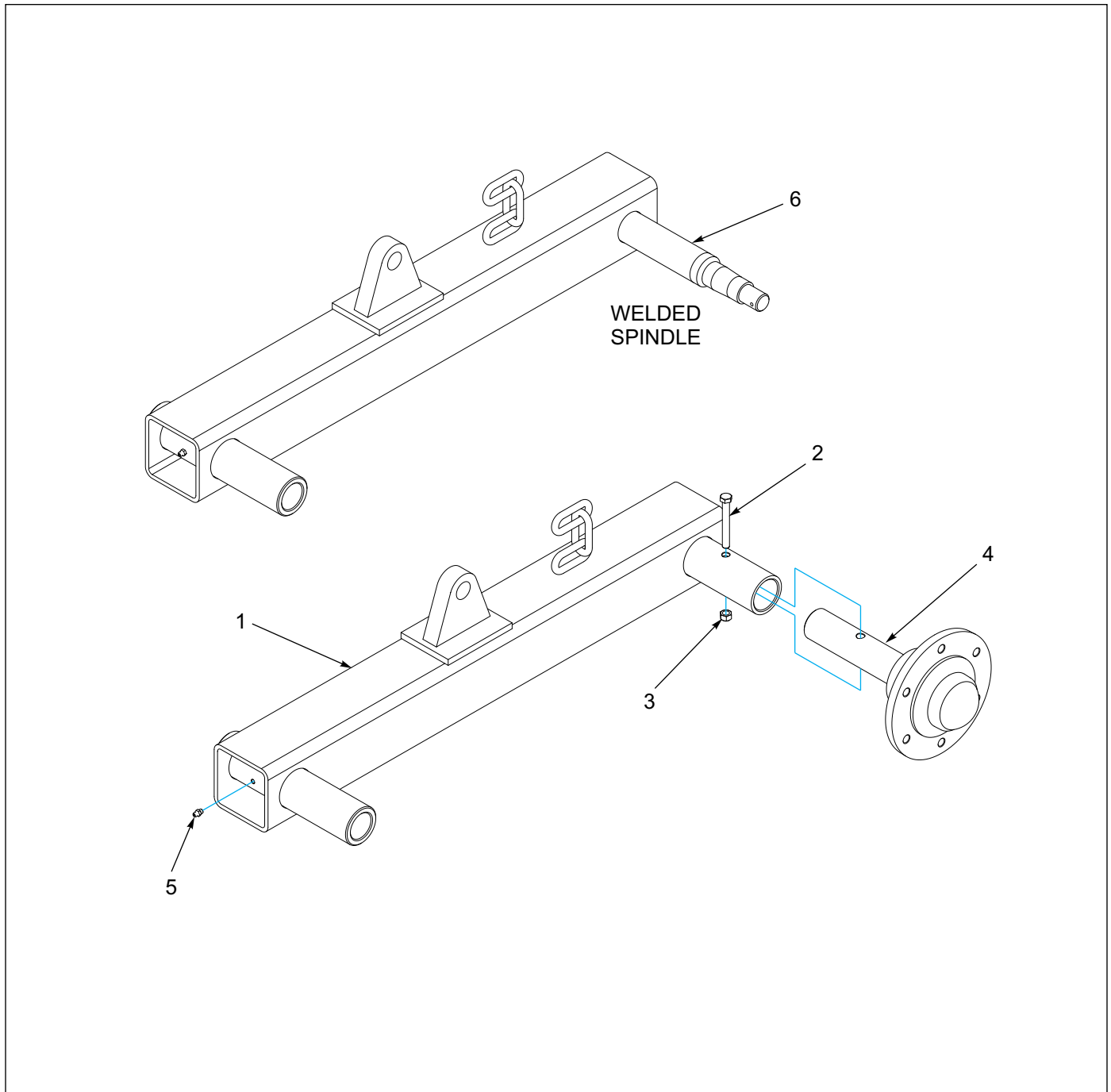


Figure 1-4: Left Hand Axle Arm Assembly

Left Hand Axle Arm Assembly

ITEM	PART NUMBER	DESCRIPTION	QTY
	2J734	L H AXLE ARM ASM	
1	171846	WHEEL ARM WELDMENT LH	1
2	1-654-010051-13	SCREW, HX CP, 3/8-16UNC X 3, GR5	1
3	1-512-010005-05	NUT, HEX, SLFLKG GRB 3/8-16	1
4	6J766	HUB & SPINDLE ASM (SEE FIGURE 1-6)	1
5	1-298-010001-1	ZERK FITTING 1/4 SAE	1
6	2J742	SPINDLE (WELDED) (SOLD SEPERATELY)	1

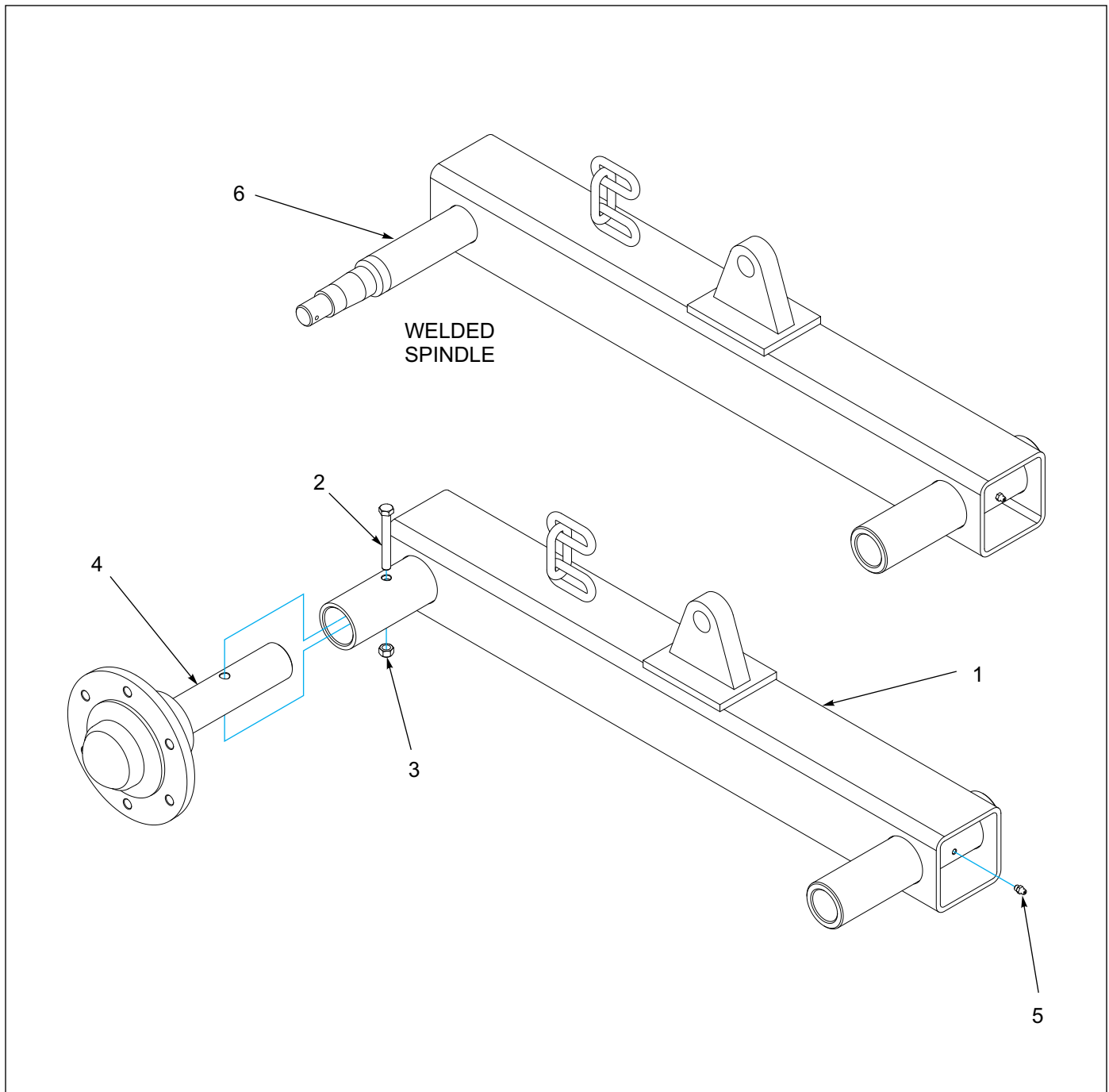


Figure 1-5: Right Hand Axle Arm Assembly

Right Hand Axle Arm Assembly

ITEM	PART NUMBER	DESCRIPTION	QTY
	2J746	RH AXLE ARM ASM	
1	171847	WHEEL ARM WELDMNT RH	1
2	1-654-010051-13	SCREW, HX CP, 3/8-16UNC X 3, GR5	1
3	1-512-010005-05	NUT, HEX, SLFLKG GRB 3/8-16	1
4	6J766	HUB & SPINDLE ASM (SEE FIGURE 1-6)	1
5	1-298-010001-1	ZERK FITTING 1/4 SAE	1
6	2J742	SPINDLE (WELDED) (SOLD SEPERATELY)	1

ILLUSTRATED PARTS LIST

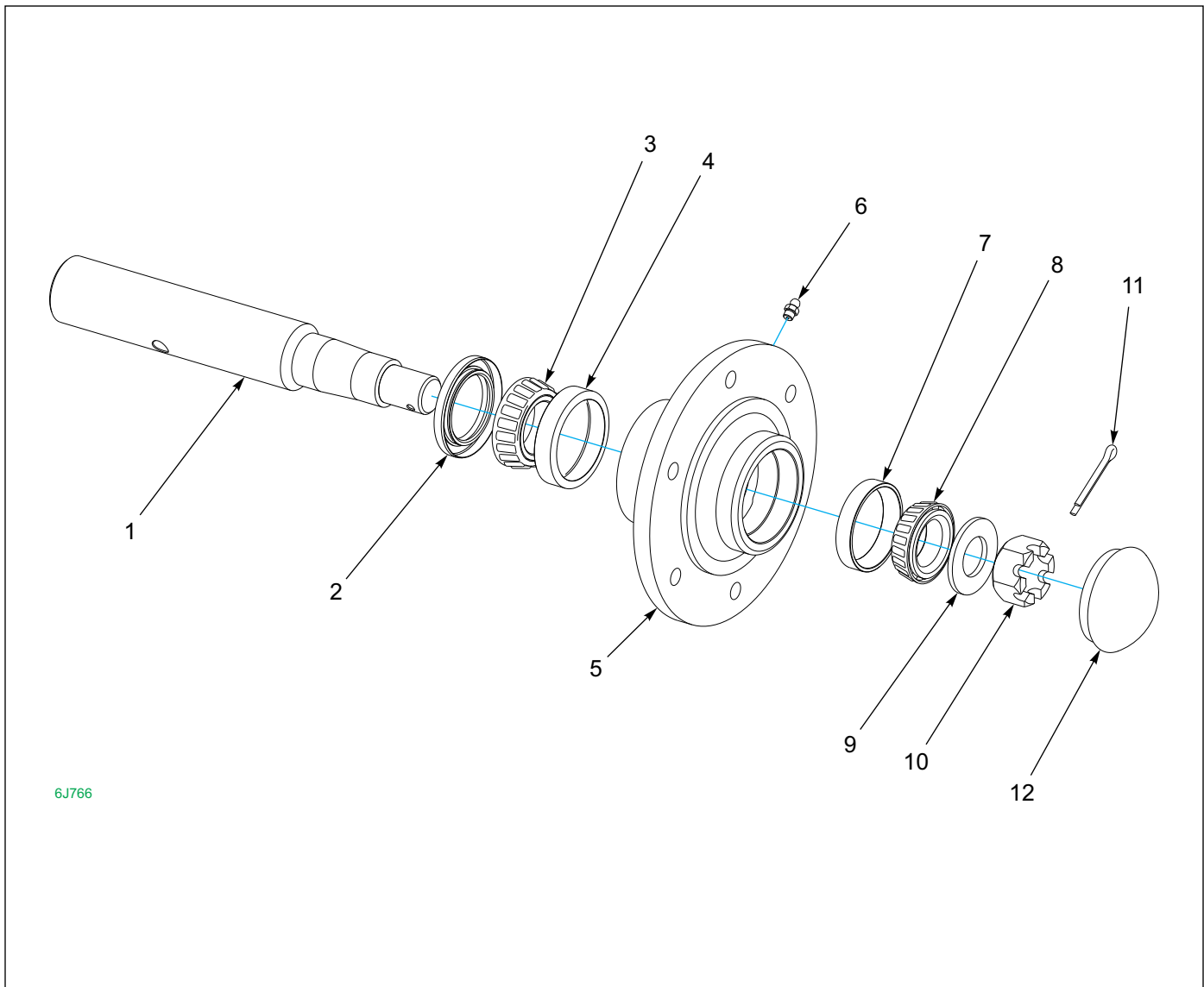


Figure 1-6: Hub and Spindle Assembly

Hub and Spindle Assembly

ITEM	PART NUMBER	DESCRIPTION	QTY
	6J766	HUB & SPINDLE ASM	
1	6J765	SPINDLE	1
2	6D338	SEAL	1
3	712099	OUTER BEARING CONE	1
4	2107649	CUP, INNER BEARING	1
5	6D336	WHEEL HUB - 6 BOLT (INCLUDES ITEM 6)	1
6	1-298-010001-1	ZERK FITTING 1/4 SAE	1
7	1-076-010010	CUP INNER	1
8	1-076-010007	CONE INNER	1
9	1-861-010032-24	WASHER FL 1IN NARROW ZP	1
10	1-516-010001-20	NUT, HX SLOT 1-14	1
11	1-557-010362-51	PIN, COTTER 3/16 X 1-1/2	1
12	1-161-010003	HUB CAP	1

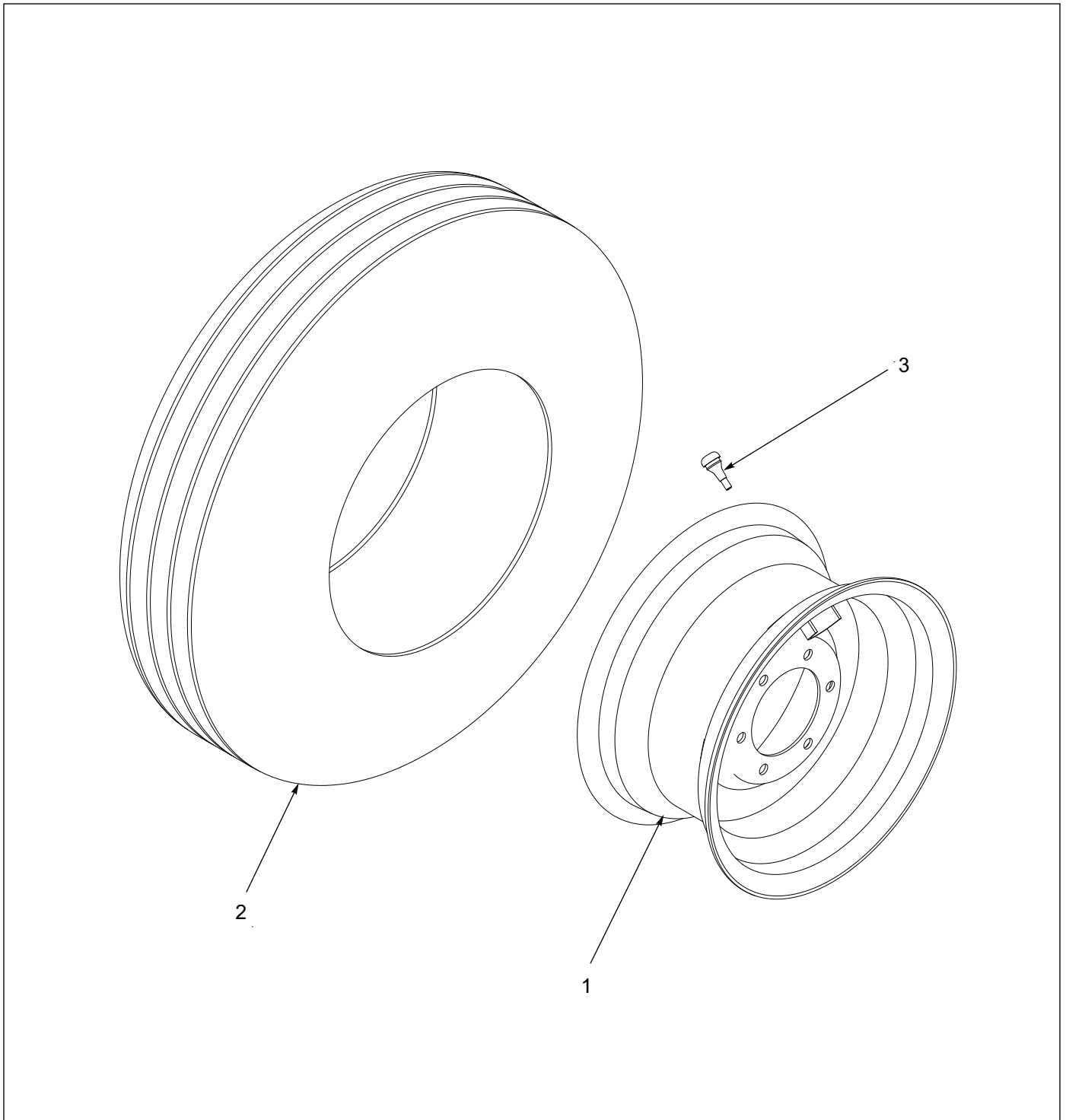


Figure 1-7: Tire and Wheel Assembly - 5 Shank Models

Tire and Wheel Assembly - 5 Shank Models

ITEM	PART NUMBER	DESCRIPTION	QTY
	6K919	WHEEL 8J790/NO TUBE/6D312	
1	6D312	WHEEL - 15 X 8LB - 6 BOLT	1
2	8J790	TIRE-9.5L X 15-8 PLY	1
3	415	VALVE STEM	1

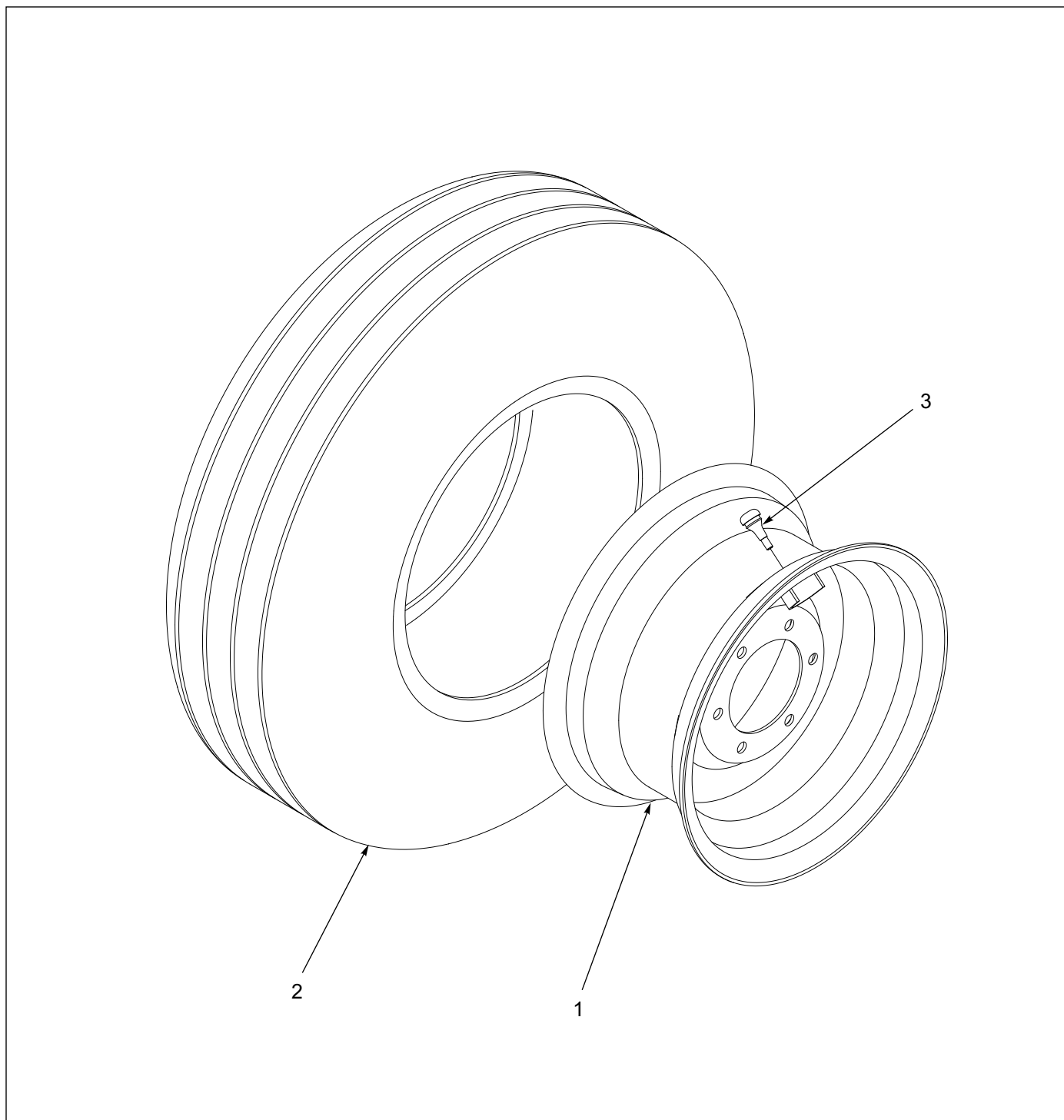


Figure 1-8: Tire and Wheel Assembly - 7 Shank Models

Tire and Wheel Assembly - 7 Shank Models

ITEM	PART NUMBER	DESCRIPTION	QTY
	6K921	WHEEL 8J791/NO TUBE/6D312	
1	6D312	WHEEL - 15 X 8LB - 6 BOLT	1
2	8J791	TIRE - 11L X 15 - 8 PLY	1
3	415	VALVE STEM	1

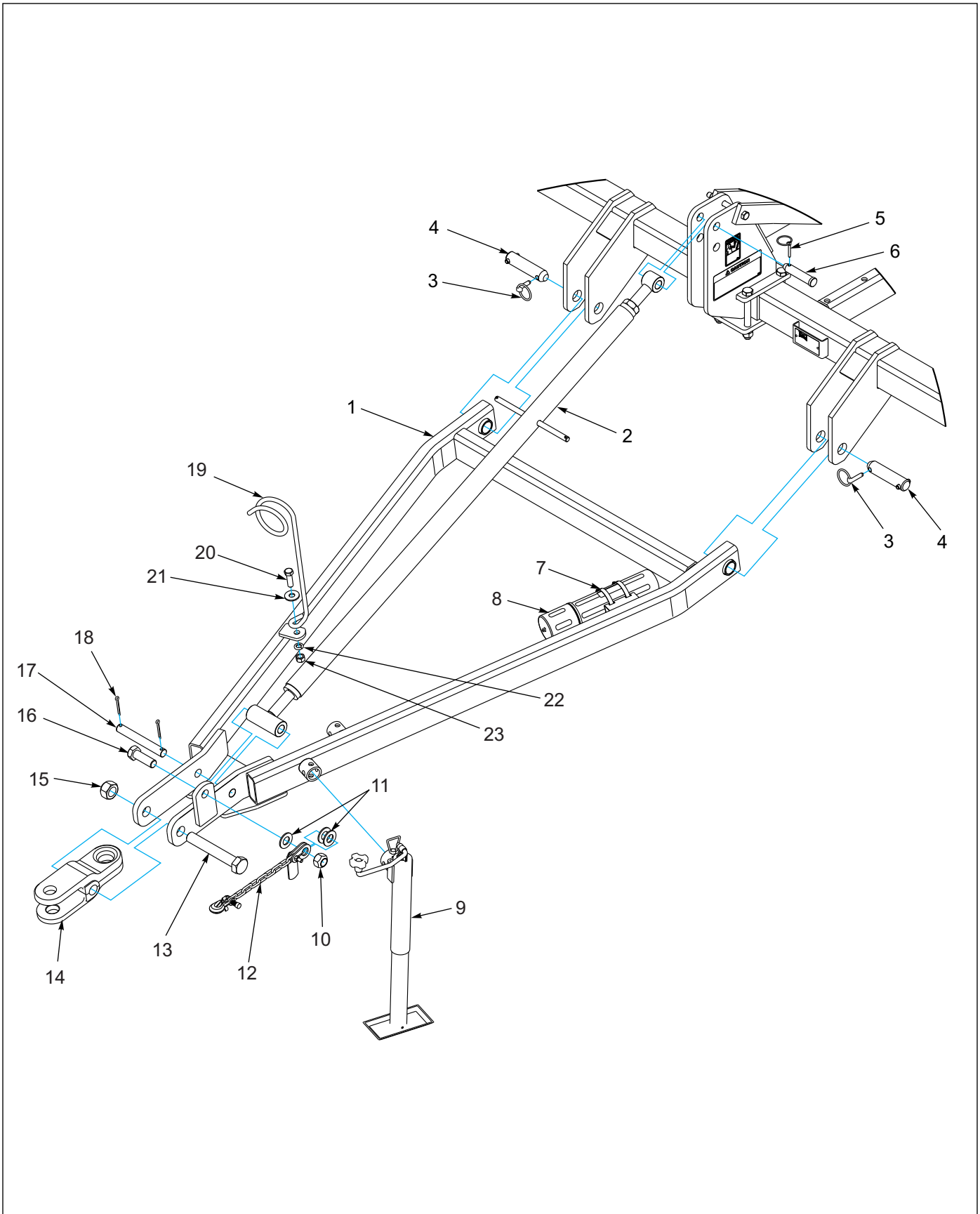


Figure 1-9: Drawbar Assembly

Drawbar Assembly

ITEM	PART NUMBER	DESCRIPTION	QTY
1	3J891	DRAWBAR WELDMENT	1
2	2J697	BRACE ROD ASM (SEE FIGURE 1-10)	1
3	2J784	KILK-PIN	2
4	2J785	PIN ASSEMBLY	2
5	1-557-010327	PIN LYNCH 1/4 X 1-1/4	1
6	6D529	CLEVIS PIN, 1.0 X 4.5	1
7	105-0093	HOSE CLAMP 4-1/2 IDEAL #5264	2
8	1-116-010019	BOX, MANUAL STORAGE	1
9	258299	JACK, TOP WIND, 5K (AFTER 03/01/2026) (REPLACEMENT PIN = 3P006)	1
9	3J880	DRAWBAR JACK (BEFORE 03/01/2026) (REPLACEMENT PIN = 6K458)	1
10	1-512-010005-19	NUT, 1-8 HEX SLF-LOCKING GRB	1
11	1-861-010032-24	WASHER FL 1IN NARROW, ZP	3
12	141433	SAFETY CHAIN 11,000LB	1
13	2J777	SCREW, HEX CAP, 1-1/4-7 X 8, GR5	1
14	2J776	HITCH	1
15	101385	NUT, HEX SLFLKG, 1-1/4-7, GRB	1
16	3J608	CAPSCREW (1-8 X 3)	1
17	4D100	DRAWBAR MOUNTING PIN	1
18	1-557-010362-63	PIN, COTTER 1/4 X 2, ZP	2
19	6D333	HOSE SUPPORT	1
20	1-654-010059-05	SCREW, HEX CAP, 5/8-11UNC X 2, GR5	1
21	1-861-010032-19	WASHER, FLAT 5/8 W, ZP/CD	1
22	1-861-010034-15	WASHER, LKG, HLCL SPR, 5/8	1
23	1-512-010007-11	NUT, HEX 5/8-11	1

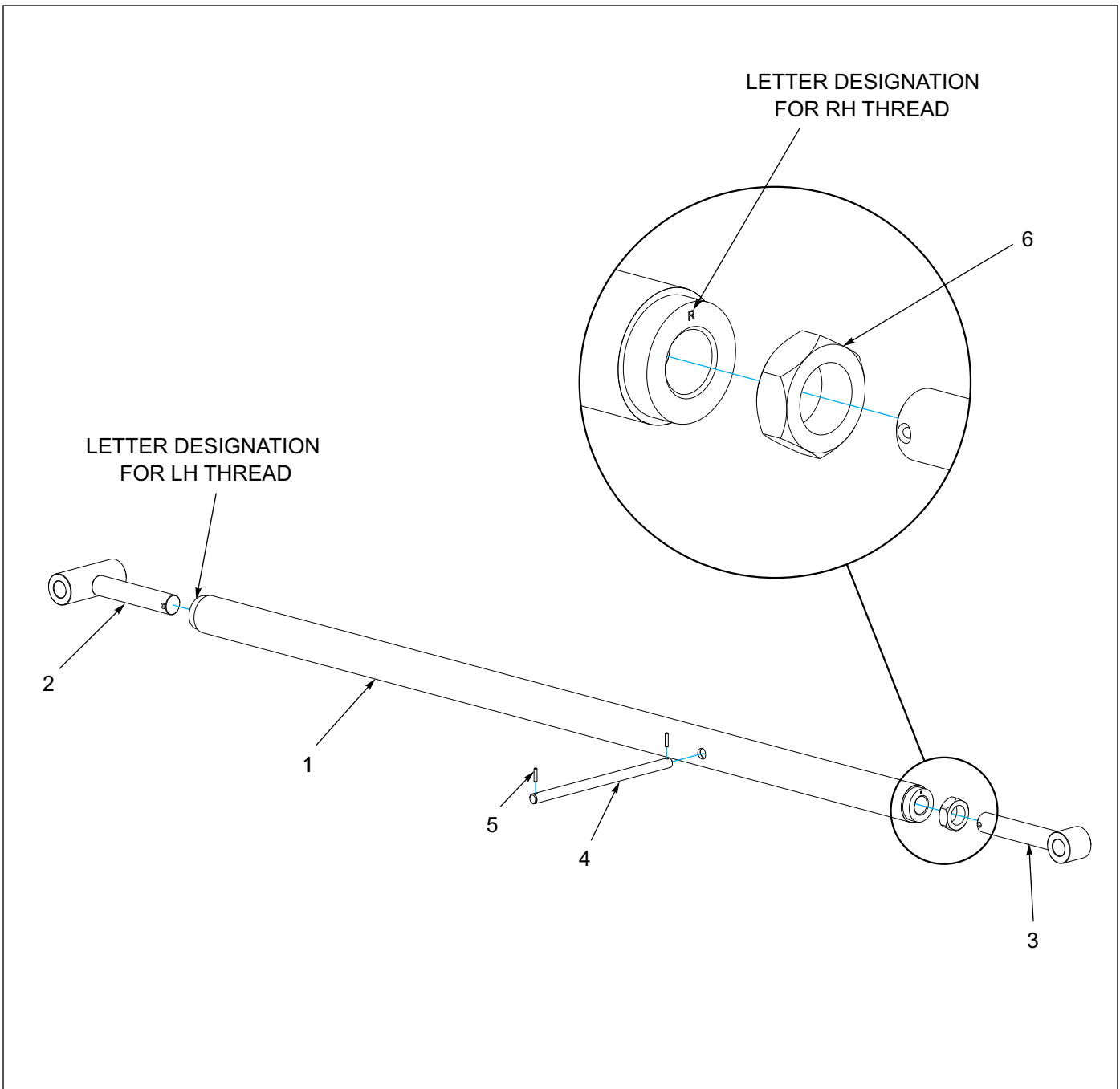


Figure 1-10: Brace Rod Assembly

Brace Rod Assembly

ITEM	PART NUMBER	DESCRIPTION	QTY
	2J697	BRACE ROD ASM	
1	2J764	BRACE ROD	1
2	2J830	L.H. ROD SCREW	1
3	2J765	ROD SCREW	1
4	8D590	PIN, 0.625 X 12	1
5	7C940	ROLL PIN 3/16 X 7/8, ZP	2
6	100823	NUT, HEX JAM, 1-1/4-7, GR2	1

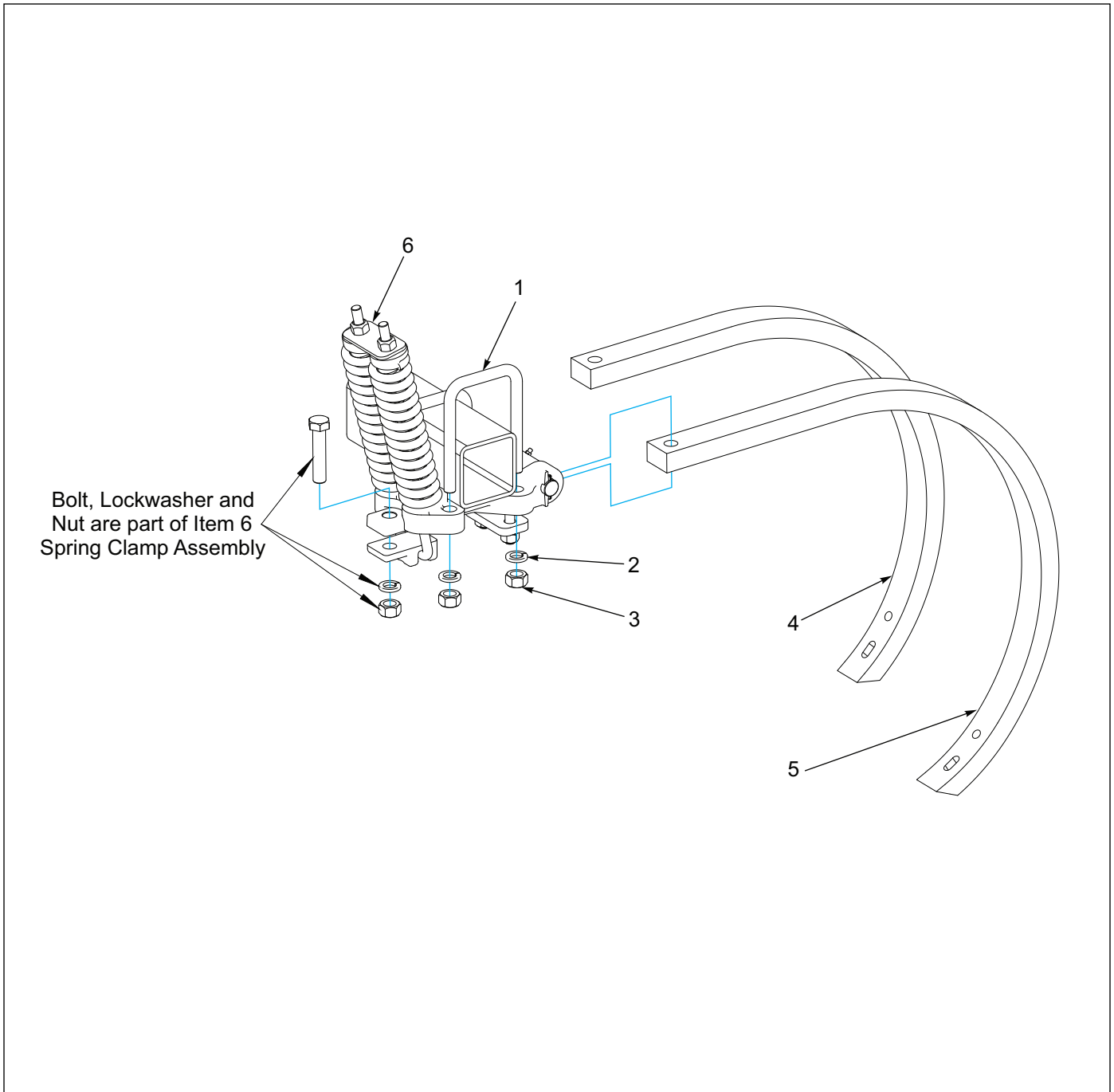


Figure 1-11: Shank and Spring Clamp Assembly

Shank and Spring Clamp Assembly

ITEM	PART NUMBER	DESCRIPTION	QTY
	1K724	SHANK & SPRING CLAMP ASSEMBLY	
1	4J293	U-BOLT, 3/4-10 X 6-3/8 X 4-3/4	2
2	1-861-010034-17	WASHER, LKG, HLCL SPR, 3/4	4
3	1-512-010007-12	NUT, HEX 3/4-10 GR2, ZP	4
4	3J971	SHANK (38 DEGREE POINT ANGLE)	1
5	2J644	SHANK (51 DEGREE POINT ANGLE) (OPTIONAL)	1
6	4J681	SPRING CLAMP ASSM (SEE FIGURE 1-12)	1

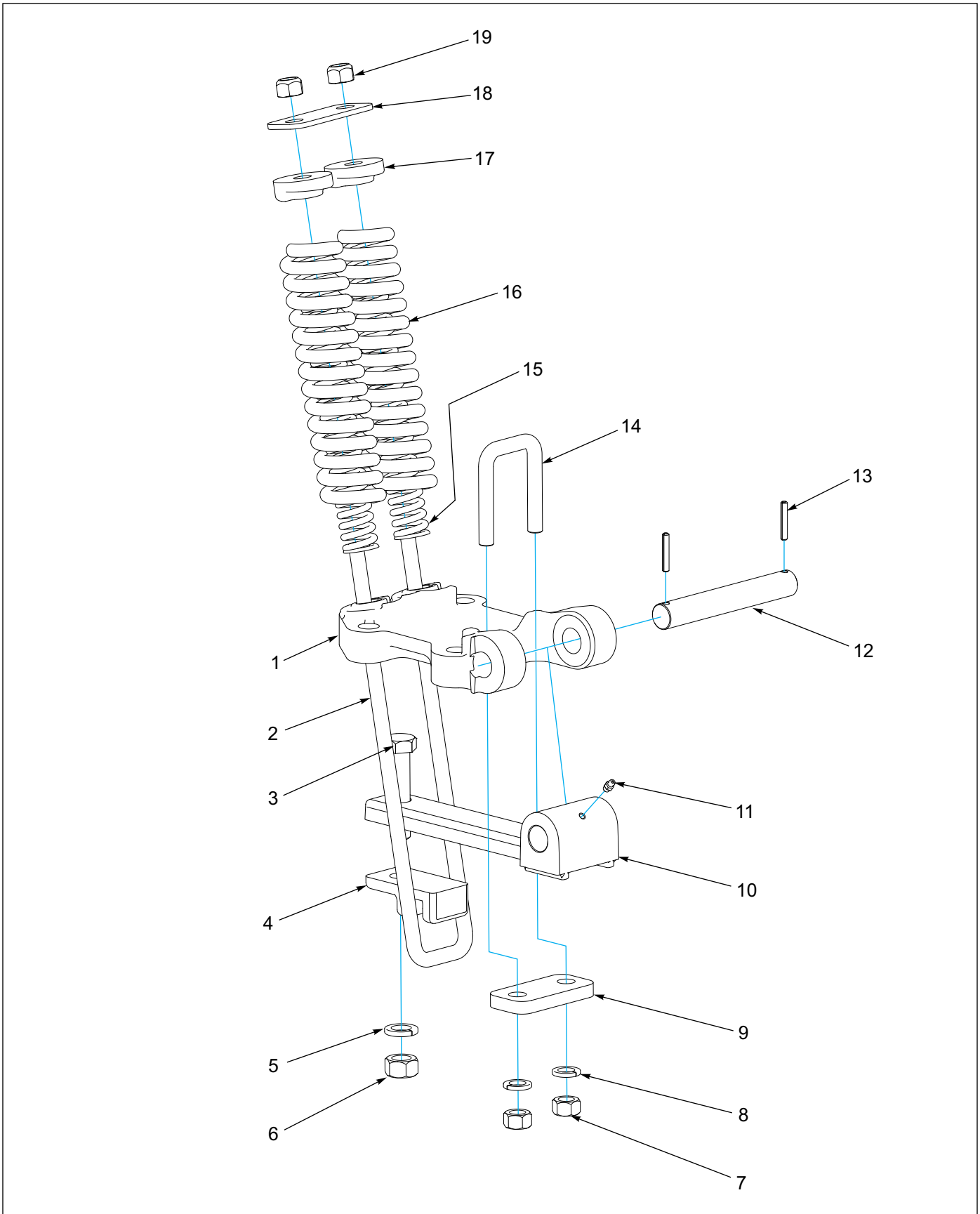


Figure 1-12: Spring Clamp Assembly

Spring Clamp Assembly

ITEM	PART NUMBER	DESCRIPTION	QTY
	4J681	SPRING CLAMP ASM	
1	4J675	SHANK CLAMP	1
2	2J096	U-BOLT, 5/8-11 X 16 X 2-3/4	1
3	141776	SCREW, HXCP 3/4-10UNC X 3-1/2, GR5	1
4	2J091	U-BOLT CLIP	1
5	1-861-010034-17	WASHER, LKG, HLCL SPR, 3/4	1
6	1-512-010007-12	NUT, HEX 3/4-10 GR2, ZP	1
7	1-512-010007-11	NUT, HEX 5/8-11 GR2, ZP	2
8	1-861-010034-15	WASHER, LKG,HLCL SPR, 5/8	2
9	6D280	STRAP	1
10	2J092	SHANK HOLDER	1
11	1-298-010001-1	ZERK FITTING 1/4 SAE	1
12	8J130	PIN, 1.0 X 6.875 PLATED	1
13	1-647-010004217	SPRING PIN, SLOTTED 1/4 X 1-1/2	2
14	2J094	U-BOLT, 5/8-11 X 3-3/8 X 2-5/8	1
15	6D362	COMPRESSION SPRING - INNER	2
16	4K076	COMPRESSION SPRING - OUTER	2
17	6J459	CAP	2
18	6D409	STRAP	1
19	1-512-010005-13	NUT, HEX SLFLKG GRB 5/8-11	2

ILLUSTRATED PARTS LIST

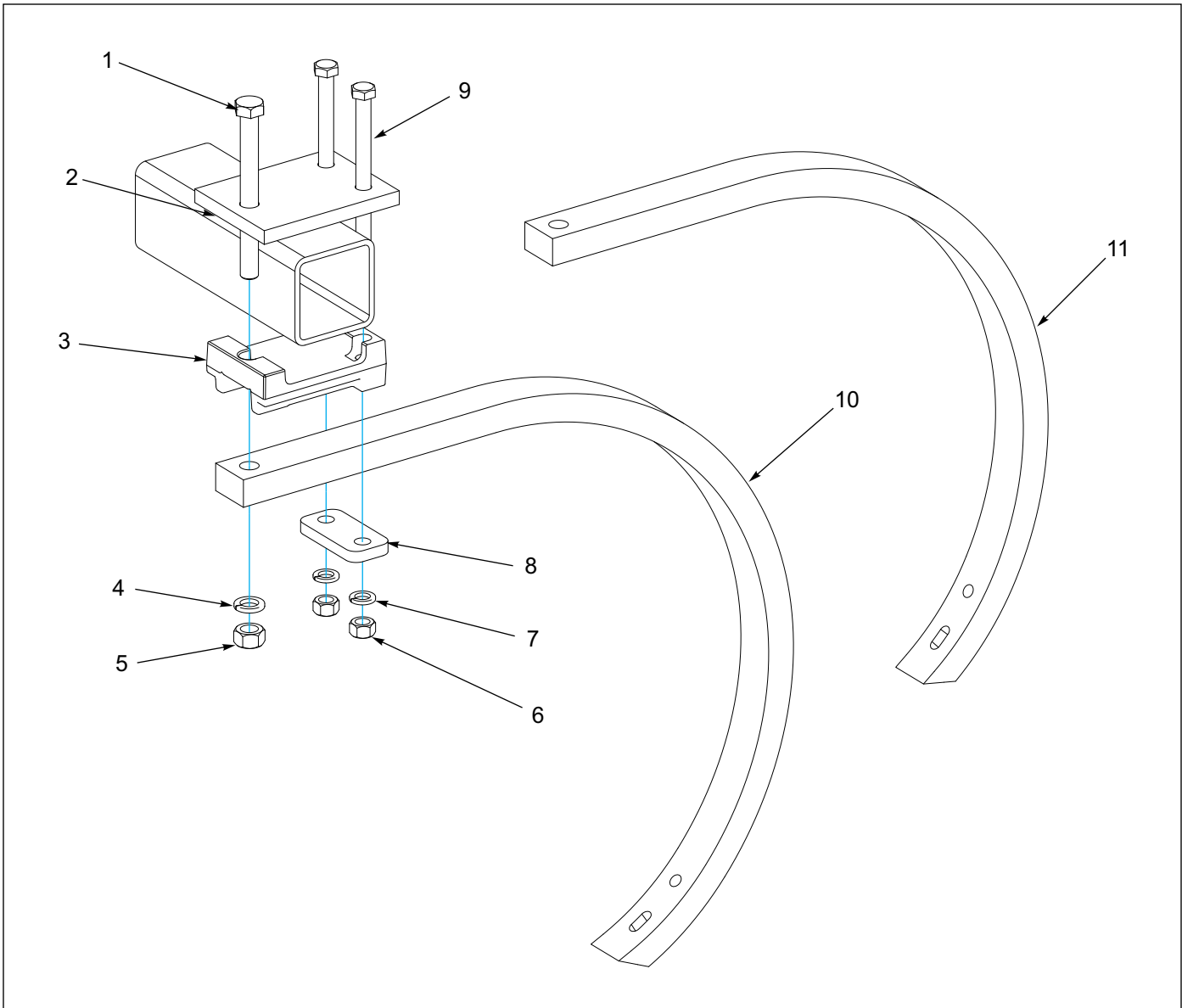


Figure 1-13: Shank and Rigid Clamp

Shank and Rigid Clamp

ITEM	PART NUMBER	DESCRIPTION	QTY
	2K116	SHANK & RIGID CLAMP (INCLUDES ITEMS 1-9)	
1	1-654-010061-20	SCREW HX CP 3/4-10UNC X 7-1/2, G5	1
2	6D298	PLATE	1
3	6D234	SHANK SUPPORT	1
4	1-861-010034-17	WASHER, LKG, HLCL SPR, 3/4	1
5	1-512-010005-15	NUT, HEX SLFLKG GRB, 3/4-10	1
6	1-512-010005-13	NUT, HEX SLFLKG GRB, 5/8-11	2
7	1-861-010034-15	WASHER, LKG HLCL SPR, 5/8	2
8	6D280	PLATE	1
9	1-654-010059-21	HHCS, 5/8-11 X 8, GR5	2
10	3J971	SHANK (38 DEGREE POINT ANGLE)	1
11	2J644	SHANK (51 DEGREE POINT ANGLE) (OPTIONAL)	1

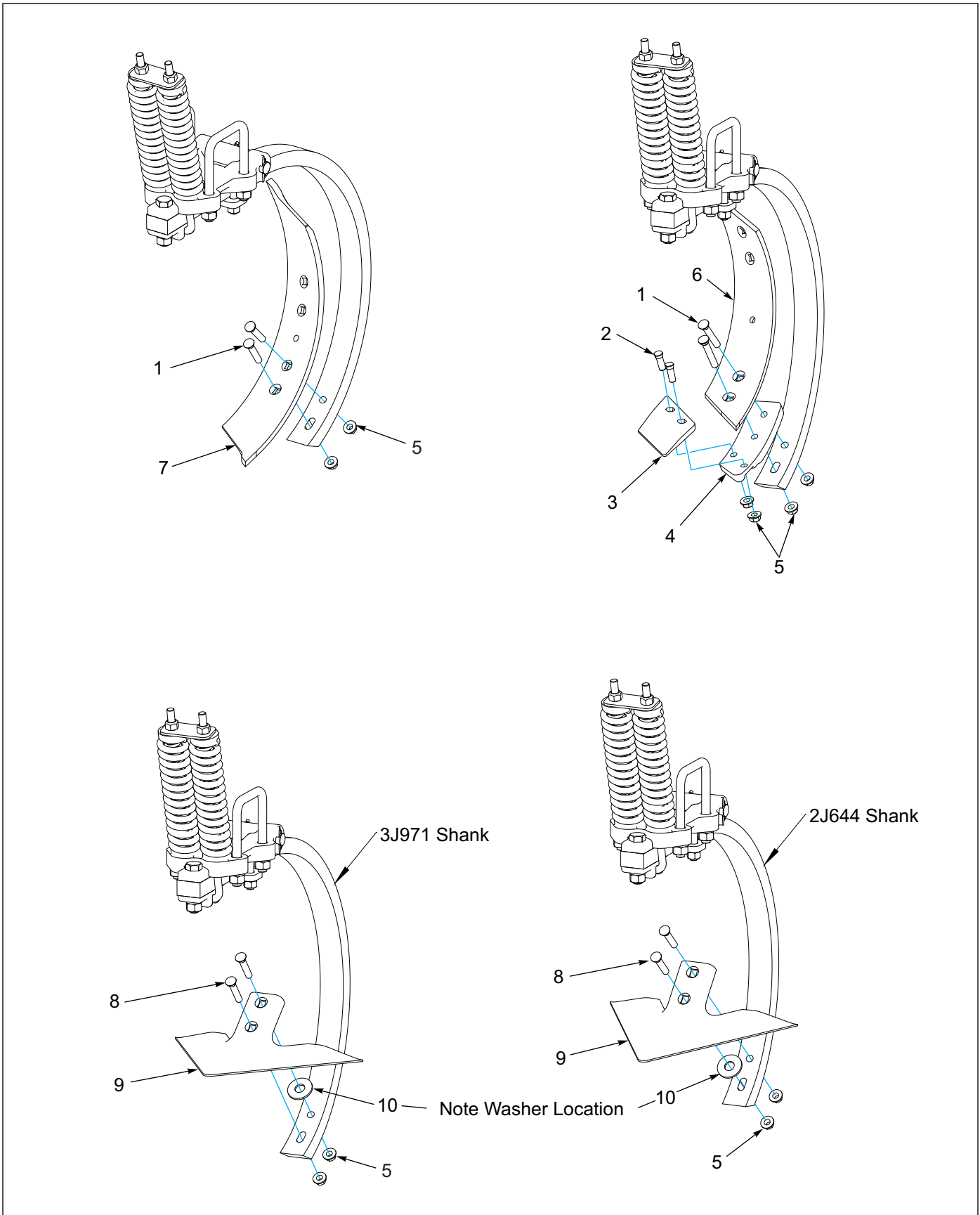


Figure 1-14: Points

Points

ITEM	PART NUMBER	DESCRIPTION	QTY
1	1/2-13X3PLOW	PLOW BOLT, GR5	2
2	3J883	PLOW BOLT (1/2-13 X 1-1/2 CLIPPED HEAD)	2
3	4J695	LH 4" REGULAR SHAPE POINT	1
3	4J694	RH 4" REGULAR SHAPE POINT (SHOWN)	1
3	4J762	LH 4" HARD SURFACED POINT	1
3	4J761	RH 4" HARD SURFACED POINT	1
4	2-691-010007	FROG RT (SHOWN)	1
4	2-691-010008	FROG LT	1
5	4K552	SELF-LOCKING FLANGE NUT, 1/2-13	2
6	EP6137	MLDBRD - PLAIN LH	1
6	EP6138	MLDBRD - PLAIN RH (SHOWN)	1
6	4J764	LH 4" HARD SURFACED MOLDBOAR	1
6	4J763	RH 4" HARD SURFACED MOLDBOAR	1
7	66827	TW SHVL LH 1/2 X 4W X 26	1
7	66826	TW SHVL RH 1/2 X 4W X 26 (SHOWN)	1
7	8J837	LH 3" TWISTED SHOVEL	1
7	8J838	RH 3" TWISTED SHOVEL	1
8	1/2-13X2-1/2PLW	PLOW BOLT ZP GR5 #3HD	2
9	2K741	16" SWEEP	1
10	1-861-010032-21	WASHER, FLAT 3/4 W, ZP/CD	1

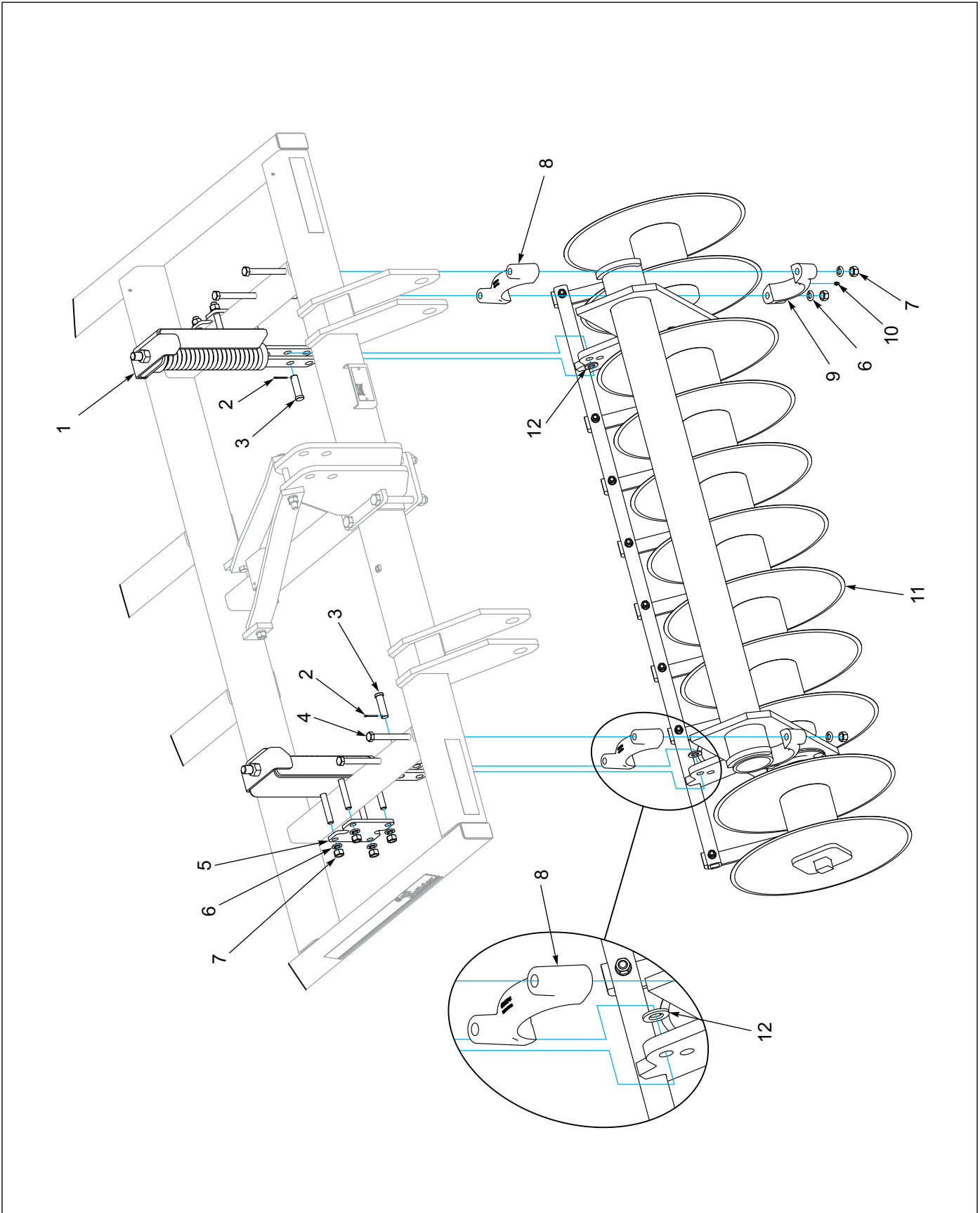


Figure 1-15: Manual Coulter 5 Shank

Manual Coulter 5 Shank

ITEM	PART NUMBER	DESCRIPTION	QTY
1	2J689	SPRING ROD ASM (INCLUDES ITEMS 5 - 7)(SEE FIGURE 1-18)	2
2	7D590	CLEVIS PIN	2
3	110-0351	COTTER PIN, 1/8 X 1-1/4, ZP	2
4	1-654-010059-26	SCREW, 5/8-11UNC X 10-1/2 HXCP, G5	4
5	2J844	PLATE	2
6	1-861-010034-15	WASHER, LKG, HLCL SPR, 5/8	12
7	1-512-010007-11	NUT, HEX 5/8-11 GR2, ZP	12
8	6D274	AXLE BEARING	2
9	6D309	AXLE TOP BEARING ASSEMBLY (INCLUDES ITEM 10)	2
10	1-298-010001-1	ZERK FITTING 1/4 SAE	2
11	4J594	COULTER GANG ASM - 11 (SEE FIGURE 1-20)	1
12	1-861-010032-20	WASHER, FLAT, 3/4 N ZP/CD	2

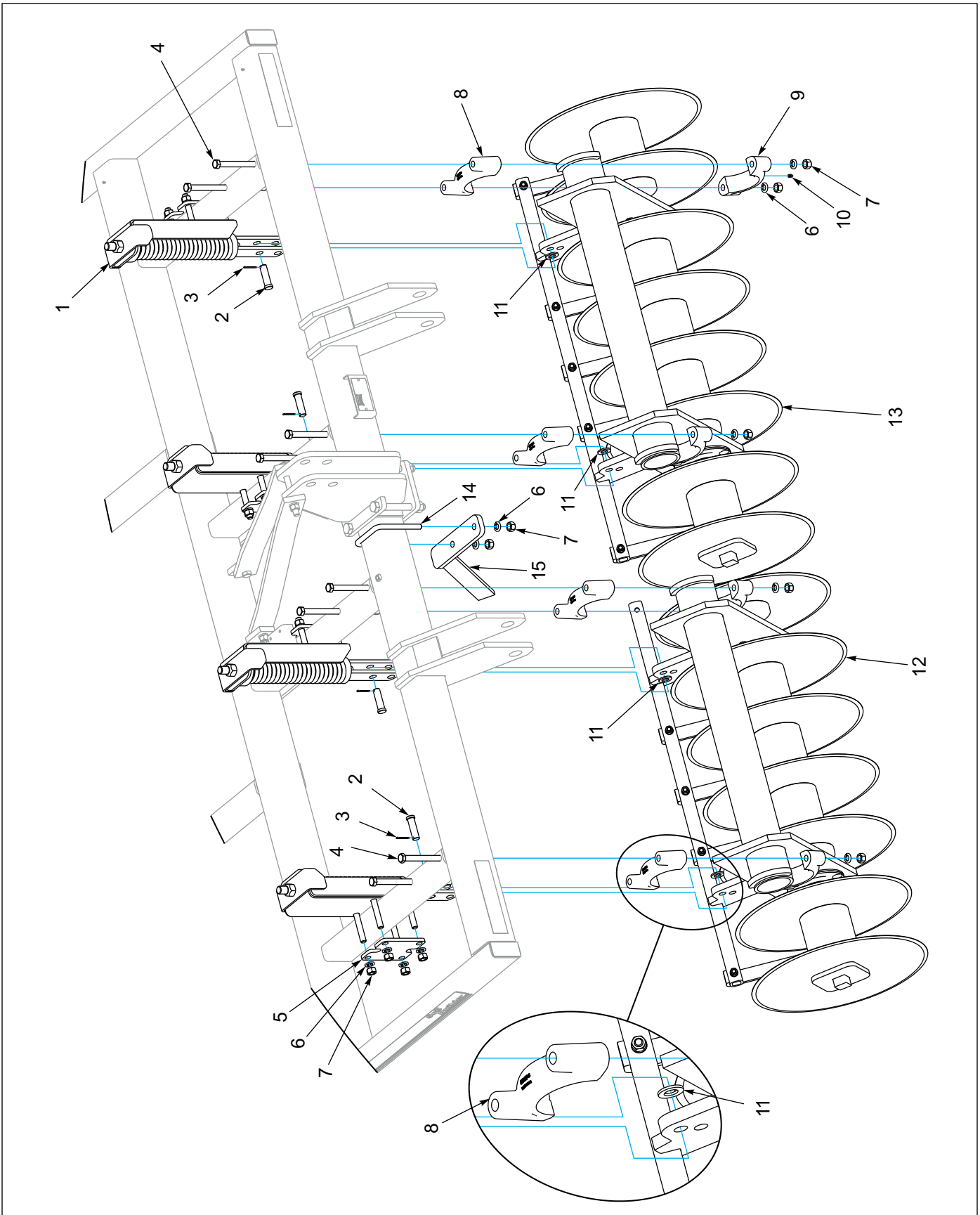


Figure 1-16: Manual Coulters 7 Shank

Manual Coulter 7 Shank

ITEM	PART NUMBER	DESCRIPTION	QTY
1	2J689	SPRING ROD ASM (INCLUDES ITEMS 5 - 7) (SEE FIGURE 1-18)	4
2	7D590	CLEVIS PIN	4
3	110-0351	COTTER PIN 1/8 X 1-1/4, ZP	4
4	1-654-010059-26	SCREW, 5/8-11UNC X 10-1/2 HXCP, G5	8
5	2J844	PLATE	4
6	1-861-010034-15	WASHER, LKG, HLCL SPR, 5/8	26
7	1-512-010007-11	NUT, HEX 5/8-11 GR2, ZP	26
8	6D274	AXLE BEARING	4
9	6D309	AXLE TOP BEARING ASSEMBLY (INCLUDES ITEM 10)	4
10	1-298-010001-1	ZERK FITTING 1/4 SAE	4
11	1-861-010032-20	WASHER, FLAT, 3/4 N ZP/CD	4
12	3J135	COULTER GANG ASM - 7 (SEE FIGURE 1-22)	1
13	3J134	COULTER GANG ASM - 8 (SEE FIGURE 1-21)	1
14	9D989	U-BOLT 5/8-11 X 5-5/8 X 4-11/16	1
15	2J840	SCRAPER BRACKET (CENTER ONLY)	1

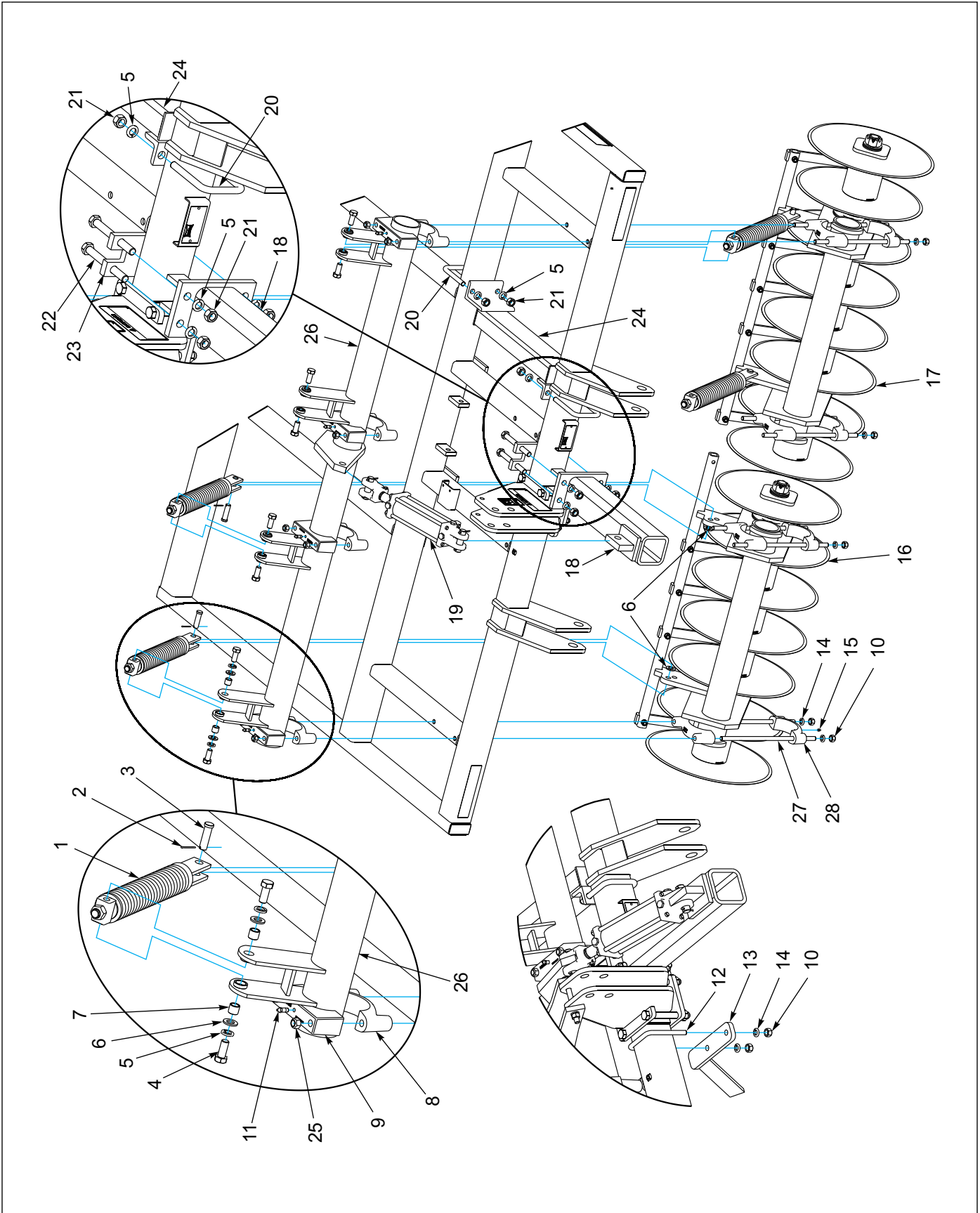


Figure 1-17: Hydraulic Coupler 7 Shank

Hydraulic Coultter 7 Shank

ITEM	PART NUMBER	DESCRIPTION	QTY
1	7J421	HYD. SPRING ROD ASSEMBLY (SEE FIGURE 1-19)	4
2	7D590	CLEVIS PIN	2
3	110-0351	COTTER PIN, 1/8 X 1-1/4, ZP	2
4	1-654-010061-04	SCREW, HX CP 3/4-10UNC X 1-3/4	8
5	1-861-010034-17	WASHER, LKG, HLCL SPR, 3/4	16
6	1-861-010032-20	WASHER, FLAT, 3/4 N, ZP/CD	12
7	7J422	BUSHING	8
8	6D274	AXLE BEARING	8
9	9D653	AXLE BEARING (INCLUDES ITEM 11)	4
10	1-512-010007-11	NUT, HEX 5/8-11 GR2, ZP	10
11	2C643	GREASE FITTING	4
12	9D989	U-BOLT, 5/8-11 X 5-5/8 X 4-11/16	1
13	2J840	SCRAPER BRACKET (CENTER ONLY)	1
14	1-861-010034-15	WASHER, LKG, HLCL SPR, 5/8	10
15	1-298-010001-1	ZERK FITTING 1/4 SAE	4
16	3J135	COULTER GANG ASM - 7 (SEE FIGURE 1-22)	1
17	3J134	COULTER GANG ASM - 8 (SEE FIGURE 1-21)	1
18	7J397	CYLINDER ANCHOR	1
19	5J280	HYD CYLINDER - 3 X 8 (SEE FIGURE 1-40)	1
20	3J451	U-BOLT, 3/4-10 X 4 X 4	2
21	1-512-010007-12	NUT, HEX 3/4-10 GR2, ZP	8
22	1-654-010061-19	SCREW, HX CP 3/4-10UNC X 7, GR5	4
23	7J398	PLATE	1
24	7J415	REINFORCEMENT	1
25	1-512-010005-13	NUT, LOCK 5/8-11	8
26	7J408	SPRING ROCKSHAFT 7	1
27	7J423	STUD	8
28	6D309	AXLE TOP, BEARING ASSEMBLY (INCLUDES ITEM 15)	4

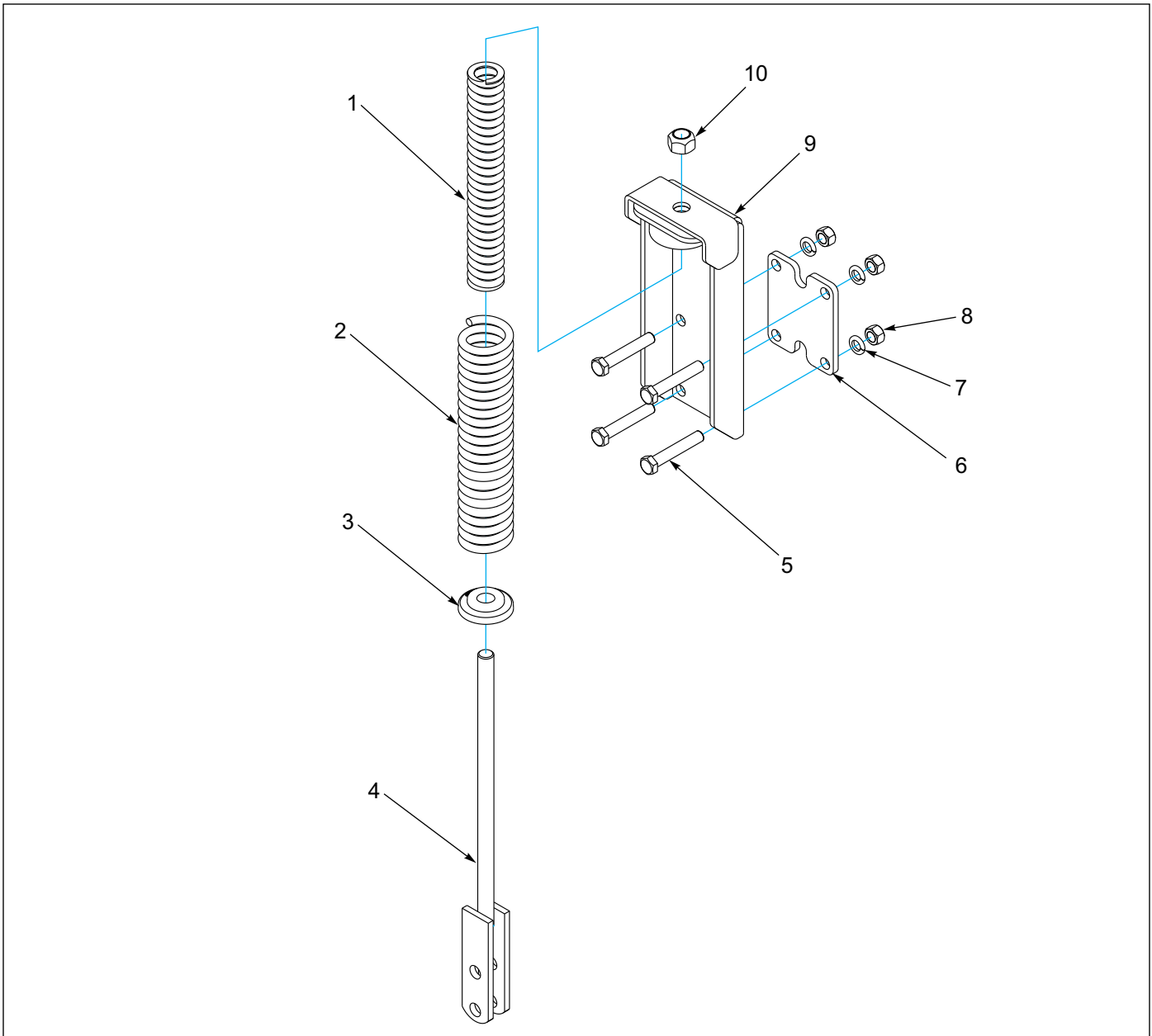


Figure 1-18: Spring Rod Assembly

Spring Rod Assembly

ITEM	PART NUMBER	DESCRIPTION	QTY
	2J689	SPRING ROD ASM	
1	2J683	COMPRESSION SPRING	1
2	2J682	COMPRESSION SPRING	1
3	2J667	SPRING CAP	1
4	2J822	SPRING ROD WELDMENT	1
5	154172	CAPSCREW (5/8-11 X 3-3/4)	4
6	2J844	PLATE	1
7	1-861-010034-15	WASHER, LKG, HLCL SPR, 5/8	4
8	1-512-010007-11	NUT, HEX 5/8-11 GR2, ZP	4
9	2J835	SPRING BRACKET	1
10	1-512-010005-17	NUT, HEX, SELF-LOCKING 7/8-9	1

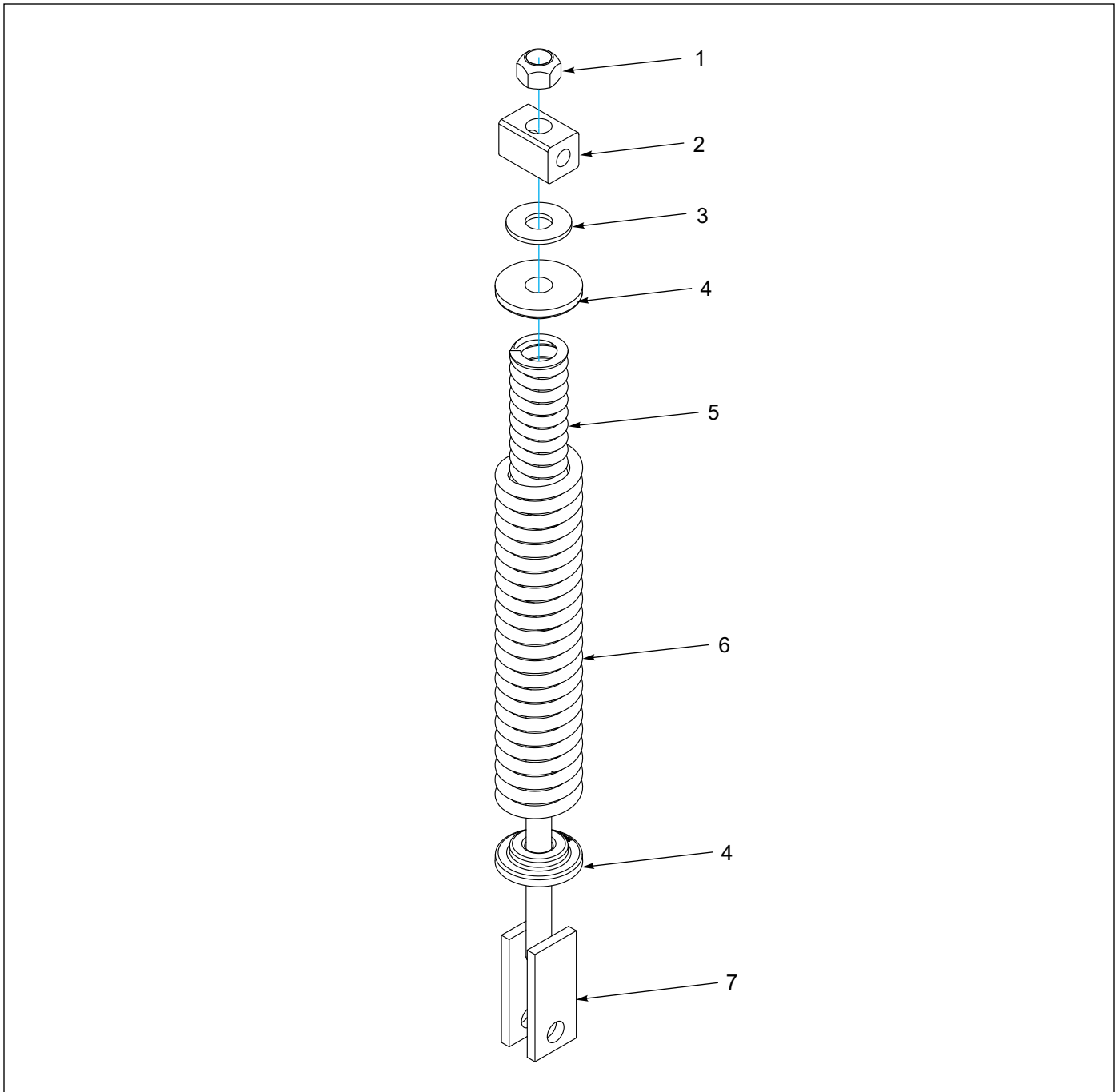
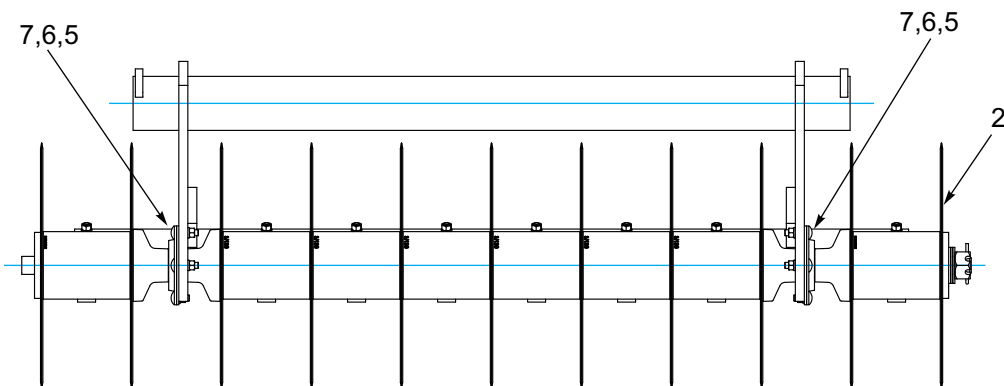
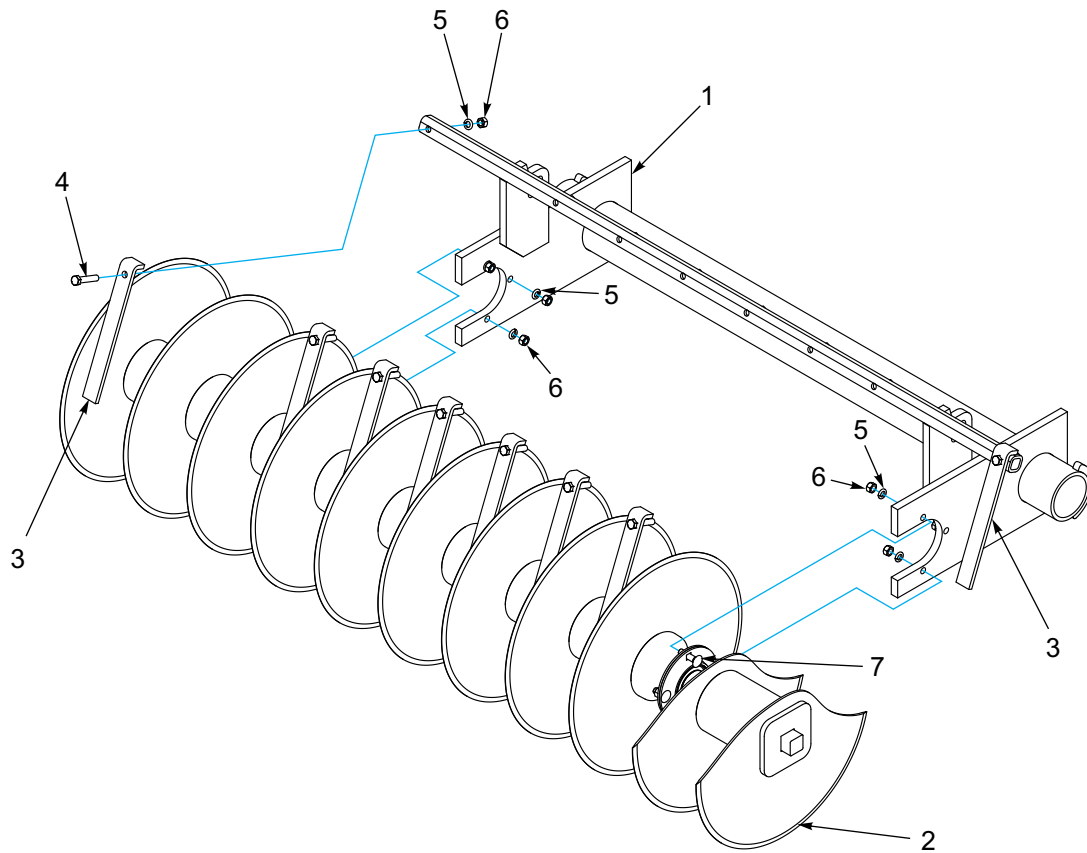


Figure 1-19: Hydraulic Spring Rod Assembly

Hydraulic Spring Rod Assembly

ITEM	PART NUMBER	DESCRIPTION	QTY
	7J421	HYD SPRING ROD ASM	
1	1-512-010005-17	NUT, HEX, SELF-LOCKING 7/8-9	1
2	7J420	BLOCK	1
3	172922	WASHER, FLAT 7/8	1
4	2J667	SPRING CAP	2
5	2J683	COMPRESSION SPRING	1
6	2J682	COMPRESSION SPRING	1
7	7J419	SPRING ROD	1



Bottom View

Figure 1-20: 11 Gang Coulter Assembly

11 Gang Coultter Assembly

ITEM	PART NUMBER	DESCRIPTION	QTY
	4J594	COULTER GANG ASM - 11	
1	4J647	COULTER FRAME	1
2	4J648	COULTER & SPOOL ASM (SEE FIGURE 1-23)	1
3	2J717	SCRAPER	8
4	1-654-010055-07	SCREW, HX CP 1/2-13UNC X 2-1/2	8
5	1-861-010034-13	WASHER, LKG HLCL SPR, 1/2	12
6	1-512-010007-09	NUT, HEX 1/2-13, ZP	12
7	1-654-010070-05	SCREW, RDHD SQNCK 1/2-13 X 2, GR5	4

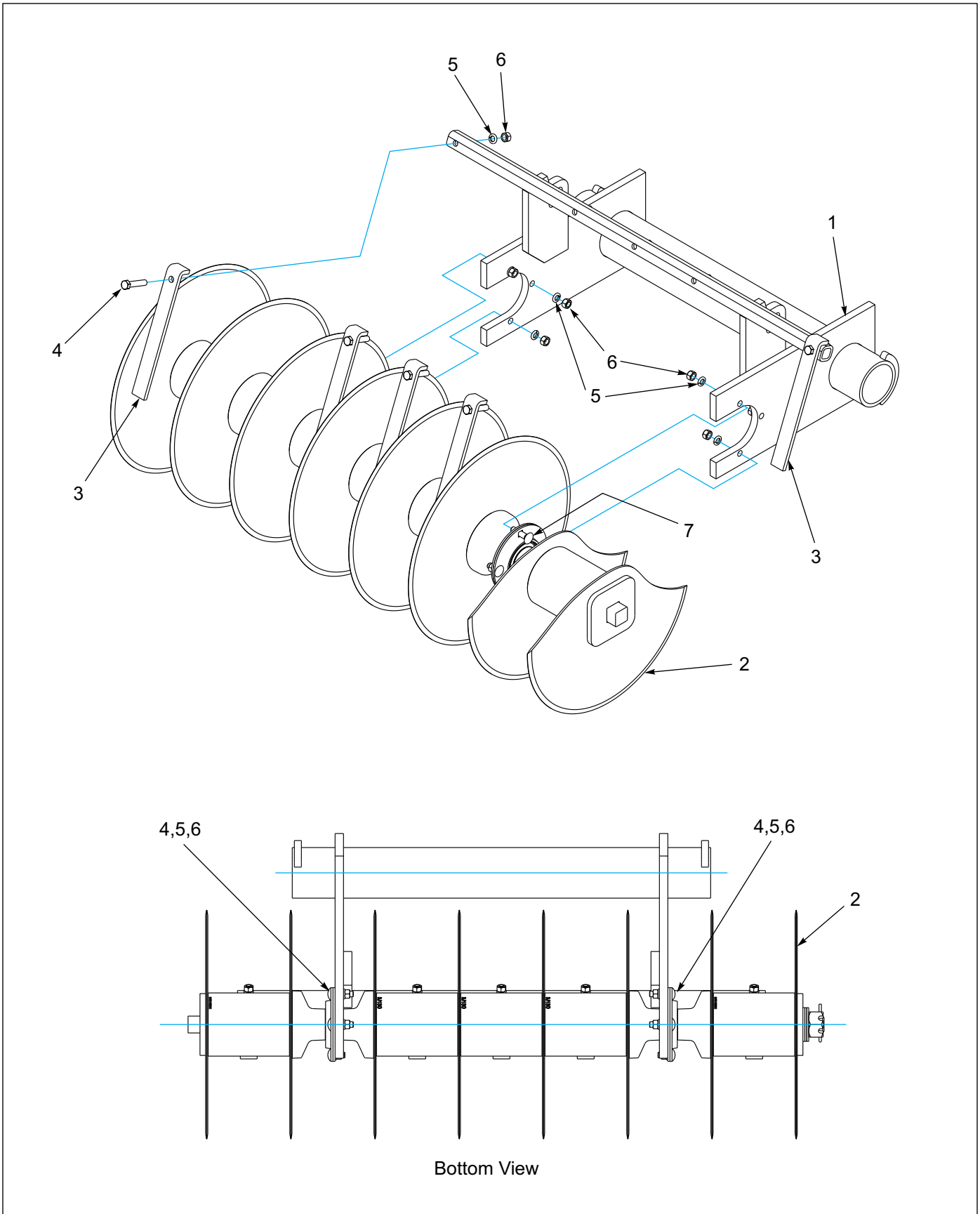


Figure 1-21: 8 Gang Coulters Assembly

8 Gang Coultter Assembly

ITEM	PART NUMBER	DESCRIPTION	QTY
	3J134	COULTER GANG ASM - 8	
1	3J136	COULTER FRAME	1
2	3J137	COULTER & SPOOL ASM - 8 (SEE FIGURE 1-24)	1
3	2J717	SCRAPER	5
4	1-654-010055-07	SCREW, HX CP 1/2-13UNC X 2-1/2	5
5	1-861-010034-13	WASHER, LKG HLCL SPR, 1/2	9
6	1-512-010007-09	NUT, HEX 1/2-13, ZP	9
7	1-654-010070-05	SCREW, RDHD SQNCK 1/2-13 X 2, GR5	4

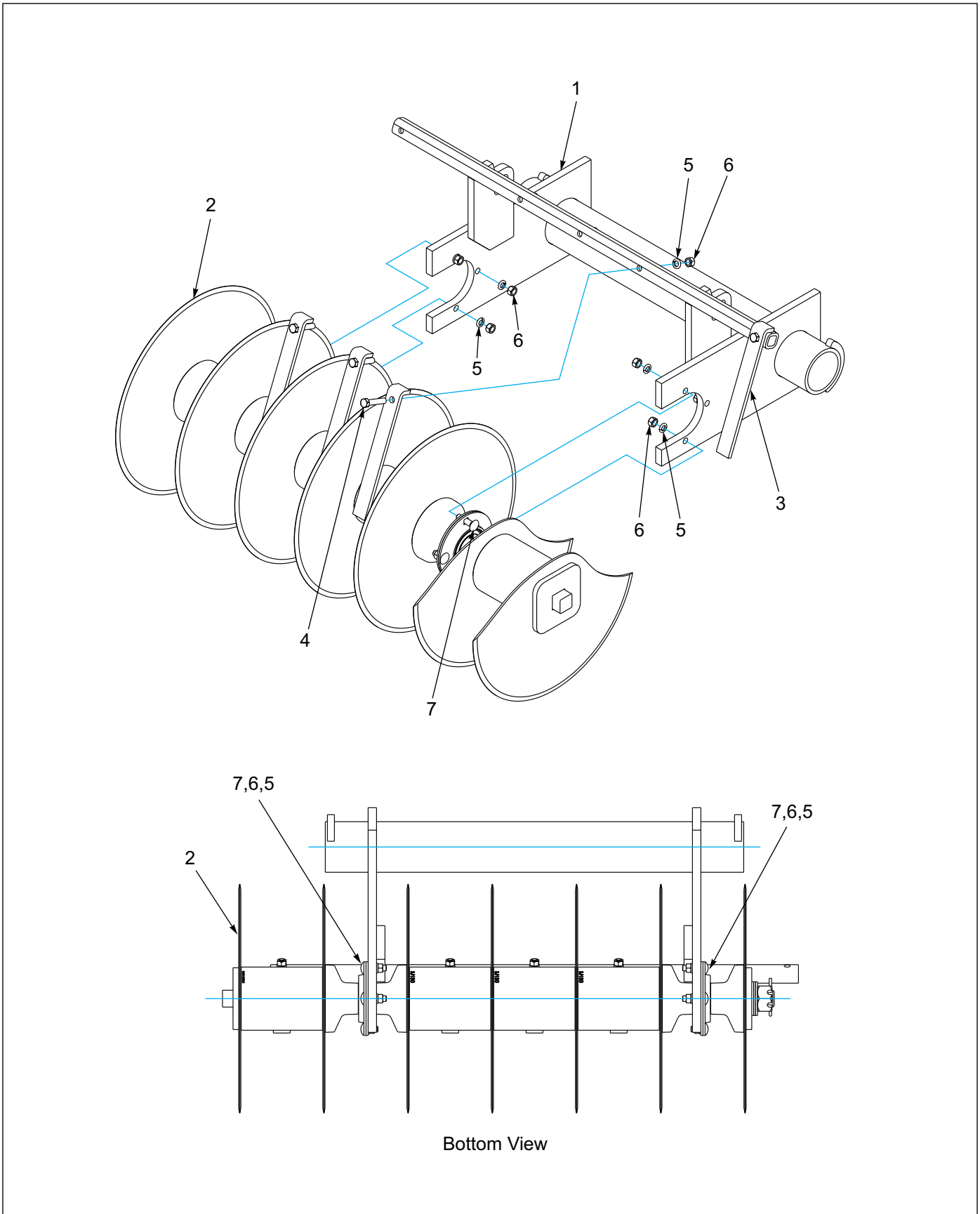


Figure 1-22: 7 Gang Coulters Assembly

7 Gang Coultter Assembly

ITEM	PART NUMBER	DESCRIPTION	QTY
	3J135	COULTER GANG ASM- 7	
1	3J136	COULTER FRAME	1
2	3J138	COULTER & SPOOL ASM - 7 (SEE FIGURE 1-25)	1
3	2J717	SCRAPER	4
4	1-654-010055-07	SCREW, HX CP 1/2-13UNC X 2-1/2	4
5	1-861-010034-13	WASHER, LKG HLCL SPR, 1/2	8
6	1-512-010007-09	NUT, HEX 1/2-13, ZP	8
7	1-654-010070-05	SCREW, RDHD SQNCK 1/2-13 X 2, GR5	4

ILLUSTRATED PARTS LIST

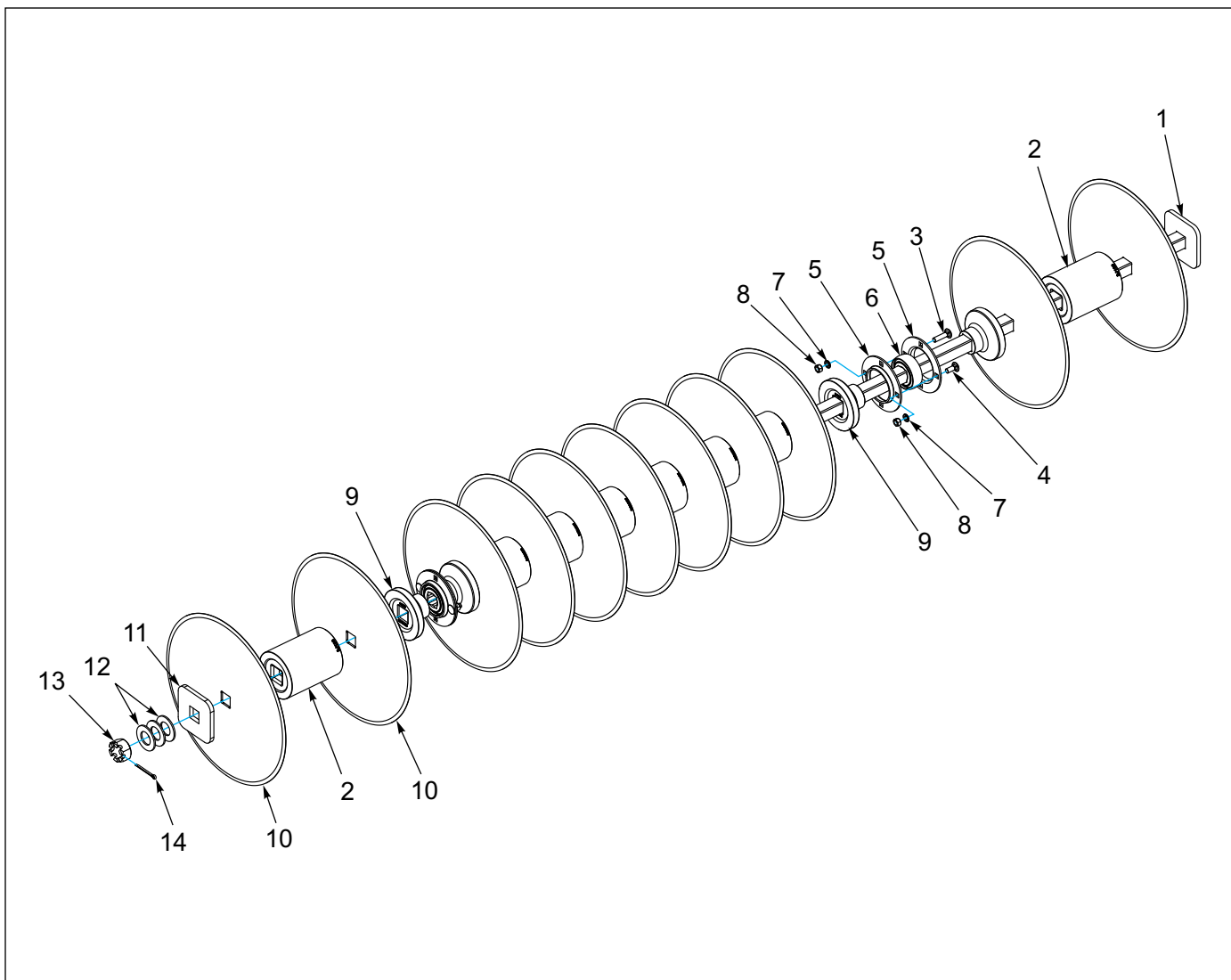


Figure 1-23: Coulter and Spool Assembly - 11

Coulter and Spool Assembly - 11

ITEM	PART NUMBER	DESCRIPTION	QTY
	4J648	COULTER & SPOOL ASM	
1	4J651	SHAFT WELDMENT	1
2	3J130	SPOOL	5
3	1-654-010070-05	SCREW, RDHD SQNCK 1/2-13 X 2, GR5	2
4	1-654-010070-02	SCREW, 1/2-13 X 1-1/4 RD HD SQNK	2
5	3K045	BEARING FLANGE ZINC PLATED	4
6	3J131	BEARING	2
7	1-861-010034-13	WASHER, LKG HLCL SPR, 1/2	4
8	1-512-010007-09	NUT, HEX 1/2-13 ZP	4
9	3J129	SPOOL HALF	4
10	3J128	COULTER	8
11	3J133	PLATE PAINTED	1
12	1-861-010032-32	WASHER, FLAT ZP/CD 1-1/2	5
13	1-516-010001-27	NUT, HX SLOT 1-1/2-6, ZP	1
14	1-557-010362-65	PIN COTTER, 1/4 X 2-1/2, ZP	1

ILLUSTRATED PARTS LIST

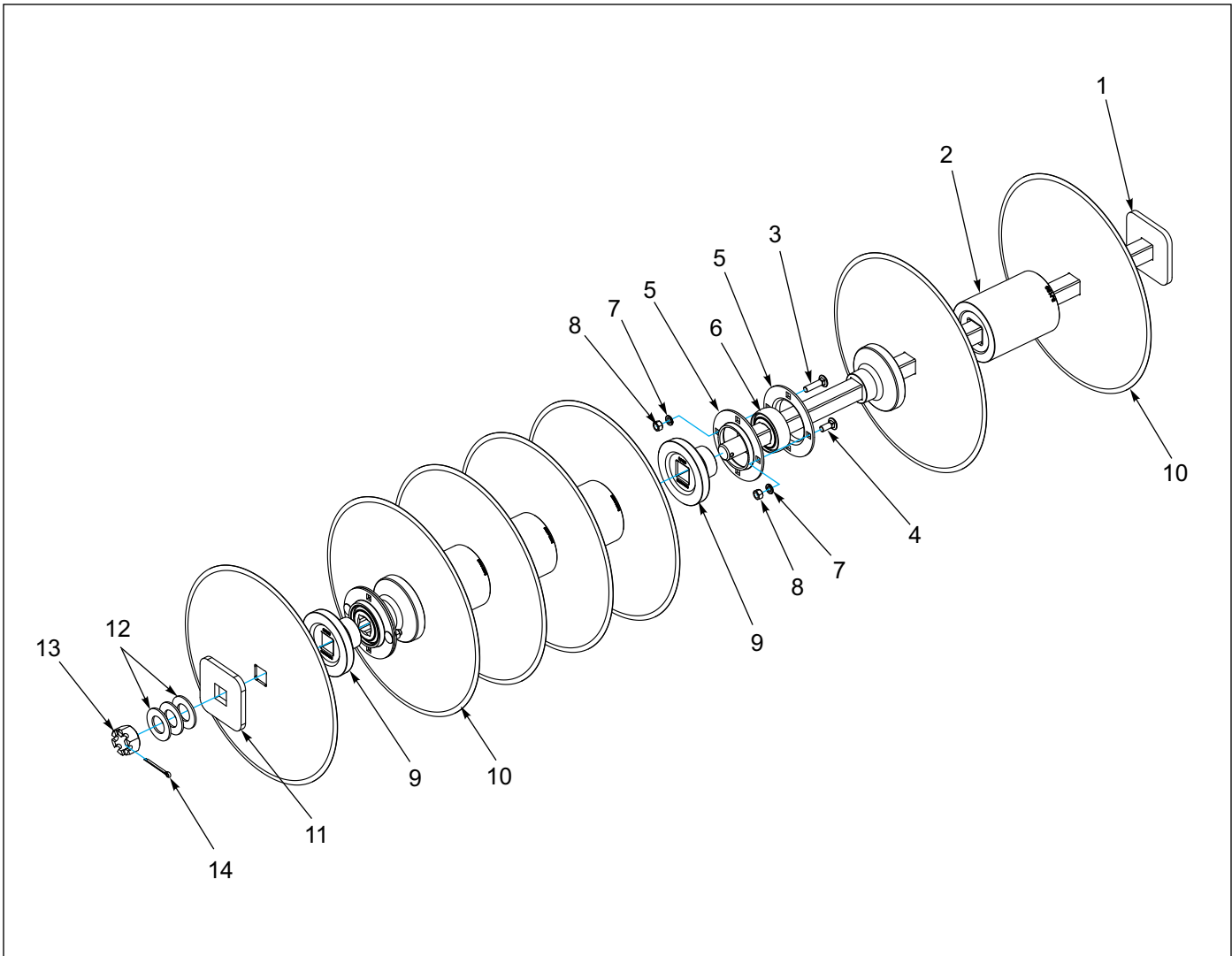


Figure 1-25: Coulter and Spool Assembly - 7

Coulter and Spool Assembly - 7

ITEM	PART NUMBER	DESCRIPTION	QTY
	3J138	COULTER & SPOOL ASM - 7	
1	3J754	SHAFT WELDMENT	1
2	3J130	SPOOL	5
3	3J128	COULTER	7
4	1-654-010070-05	SCREW, RDHD SQNCK 1/2-13 X 2, GR5	2
5	1-654-010070-02	SCREW, 1/2-13 X 1-1/4 RD HD SQNCK	2
6	3K045	BEARING FLANGE ZINC PLATED	4
7	3J131	BEARING	2
8	1-861-010034-13	WASHER, LKG HLCL SPR, 1/2	4
9	1-512-010007-09	NUT, HEX 1/2-13, ZP	4
10	3J129	SPOOL HALF	4
11	3J133	PLATE PAINTED	1
12	1-861-010032-32	WASHER, FLAT ZP/CD 1-1/2	5
13	1-516-010001-27	NUT, HX SLOT 1-1/2-6, ZP	1
14	1-557-010362-65	PIN COTTER, 1/4 X 2-1/2, ZP	1

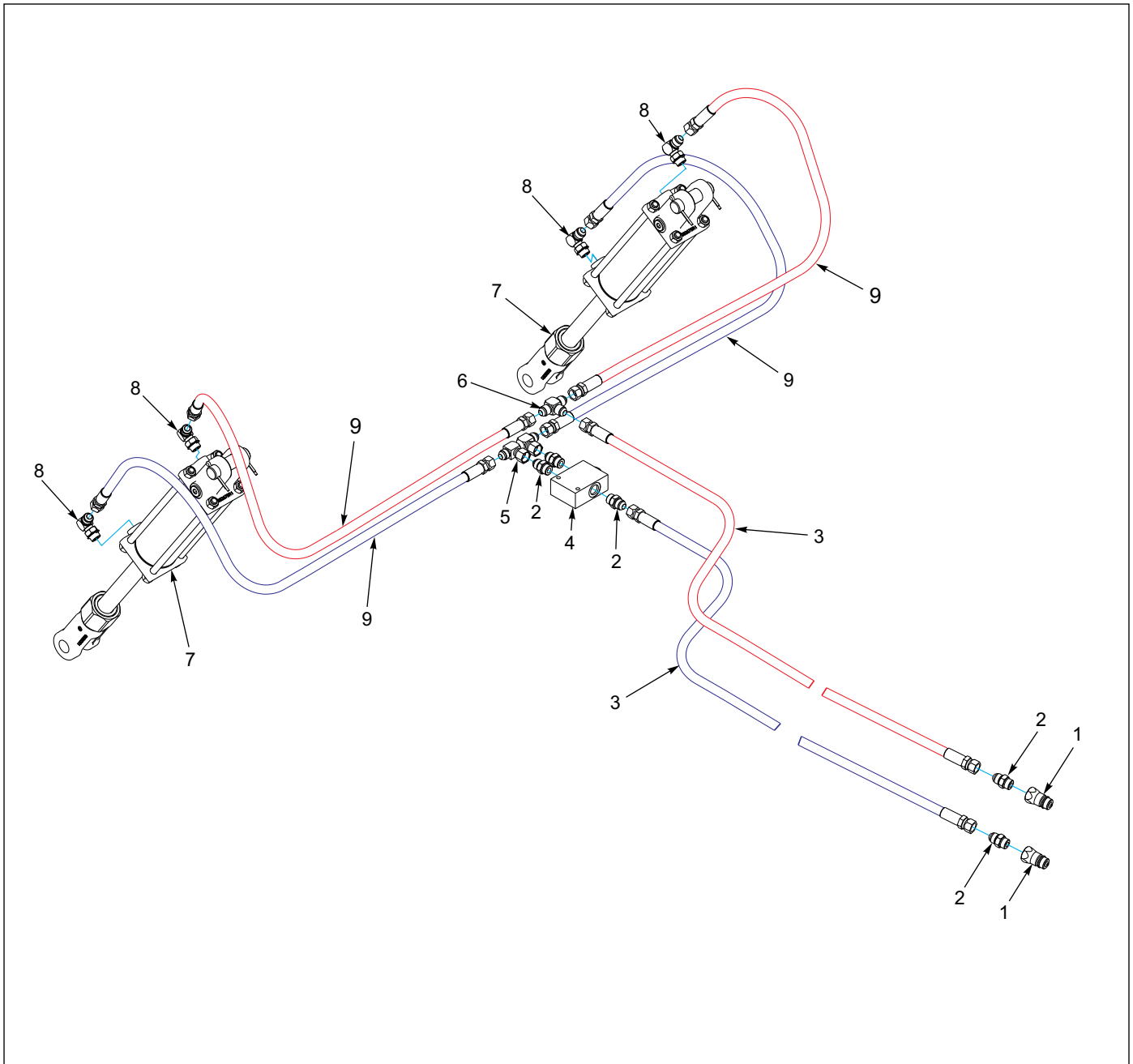


Figure 1-26: Hydraulic Schematic - 5 Shank

Hydraulic Schematic - 5 Shank

ITEM	PART NUMBER	DESCRIPTION	QTY
1	141828	COUPLER, MALE 3/4-16 O-RING	2
2	202702-8-8S	ADAPTER #8 O-RING TO #8 TUBE	5
3	159569	HOSE ASM 3/8 X 161, #8JIC SWVL	2
4	2P464	FLOW DIVIDER/COMBINER VALVE	1
5	2071-8-8S	ADAPTER 90 #8 FLR SWIVEL #8JIC	2
6	2033-8-8S	ADAPTER, TEE, #8 TUBE	1
7	2J674	HYD CYLINDER - 3 X 8 (SEE FIGURE 1-39)	2
8	2062-8-8S	ADAPTER, 90, #8 O-RING TUBE	4
9	71508992	HOSE .38 X 50	4

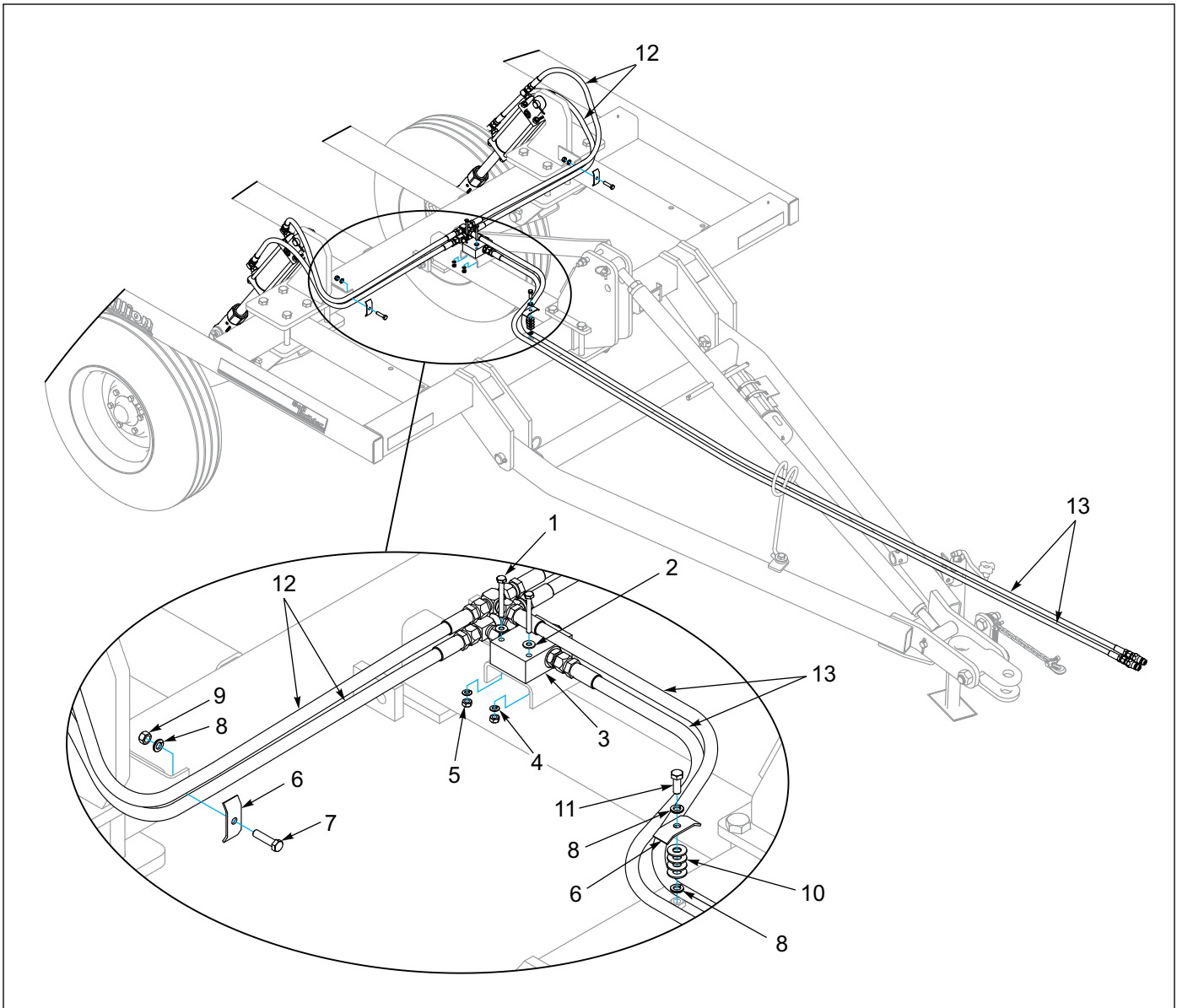


Figure 1-27: Hydraulic Layout - 5 Shank

Hydraulic Layout - 5 Shank

ITEM	PART NUMBER	DESCRIPTION	QTY
1	1-654-010047-10	SCREW, HX CP, 1/4-20UNC X2, GR5	2
2	1-861-010032-06	WASHER, FLAT 1/4 N ZP/CD	2
3	2P464	FLOW DIVIDER/COMBINER VALVE	1
4	1-861-010034-09	WASHER, LKG HLCL SPR, 1/4	4
5	1-512-010007-05	NUT, HEX 1/4-20	4
6	9D283	CLAMP	3
7	1-654-010051-07	SCREW, HEX CAP 3/8-16UNC X 1-1/2	2
8	1-861-010034-11	WASHER, LKG HLCL SPR, 3/8	4
9	1-512-010007-07	NUT, HEX 3/8-16, ZP	2
10	1-861-010032-11	WASHER, FLAT 3/8 W ZP/CD	4
11	1-654-010051-07	SCREW, HEX CAP 3/8-16UNC X 1, GR5	1
12	71508992	HOSE .38 X 50	4
13	159569	HOSE, 3/8 X 161	2

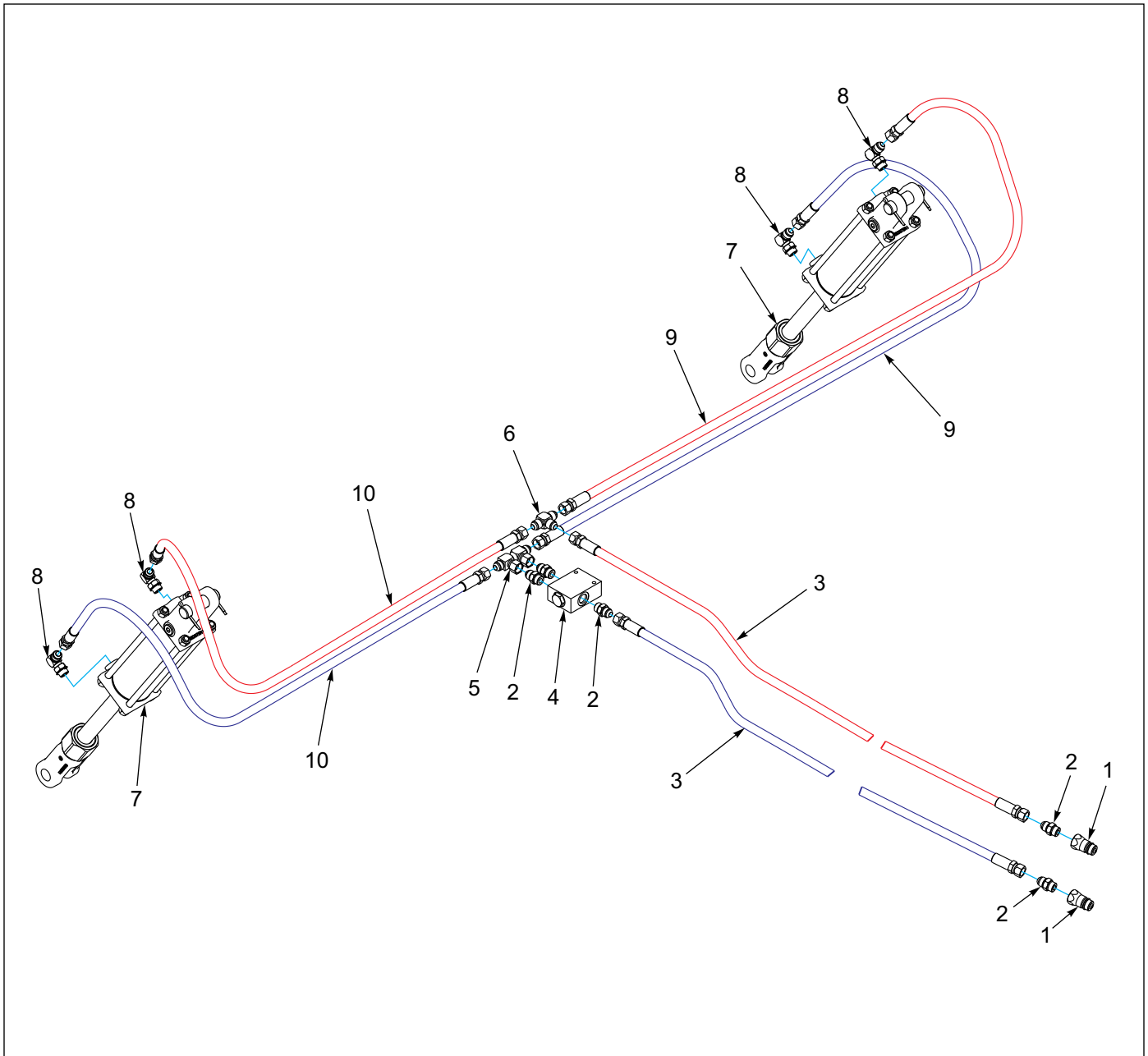


Figure 1-28: Hydraulic Schematic - 7 Shank

Hydraulic Schematic - 7 Shank

ITEM	PART NUMBER	DESCRIPTION	QTY
1	141828	COUPLER, MALE 3/4-16 O-RING	2
2	202702-8-8S	ADAPTER #8 O-RING TO #8 TUBE	5
3	159569	HOSE ASM 3/8 X 161, #8JIC SWVL	2
4	2P464	FLOW DIVIDER/COMBINER VALVE	1
5	2071-8-8S	ADAPTER, 90 #8 FLR SWIVEL #8JIC	2
6	2033-8-8S	ADAPTER, TEE, #8 TUBE	1
7	2J674	HYD CYLINDER - 3 X 8 (SEE FIGURE 1-39)	2
8	2062-8-8S	ADAPTER, 90, #8 O-RING TUBE	4
9	71508979	HOSE .38 X 72	2
10	71508992	HOSE, 3/8 X 50	2

ILLUSTRATED PARTS LIST

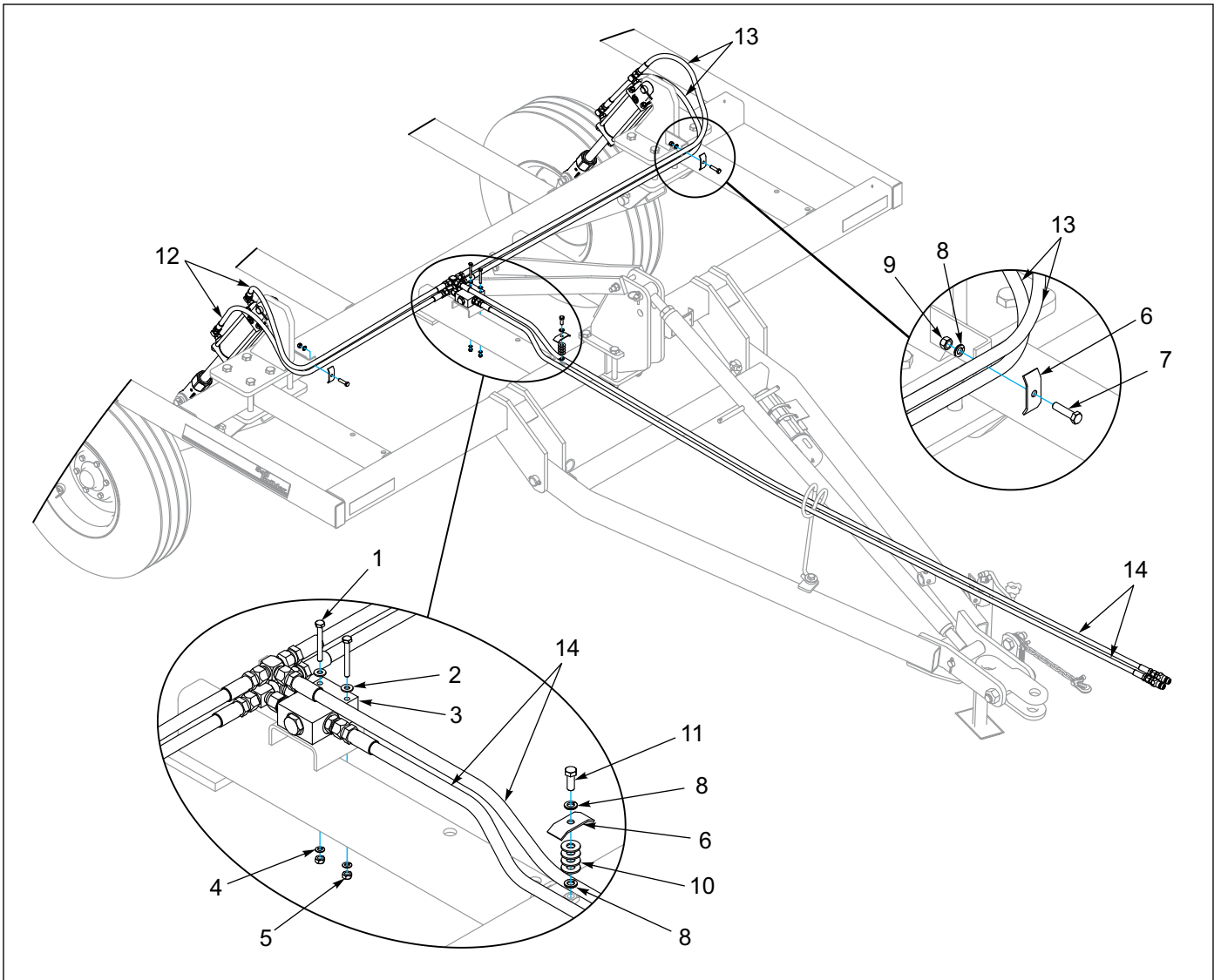


Figure 1-29: Hydraulic Layout - 7 Shank

Hydraulic Layout - 7 Shank

ITEM	PART NUMBER	DESCRIPTION	QTY
1	1-654-010047-10	SCREW, HX CP, 1/4-20UNC X 2, GR5	2
2	1-861-010032-06	WASHER, FLAT 1/4 N ZP/CD	2
3	2P464	FLOW DIVIDER/COMBINER VALVE	1
4	1-861-010034-09	WASHER, LKG HLCL SPR, 1/4	4
5	1-512-010007-05	NUT, HEX 1/4-20	4
6	9D283	CLAMP	3
7	1-654-010051-07	SCREW, HEX CAP 3/8-16UNC X 1-1/2	2
8	1-861-010034-11	WASHER, LKG HLCL SPR, 3/8	4
9	1-512-010007-07	NUT, HEX 3/8-16, ZP	2
10	1-861-010032-11	WASHER, FLAT 3/8 W ZP/CD	4
11	1-654-010051-07	SCREW, HEX CAP 3/8-16UNC X 1, GR5	1
12	71508992	HOSE ASM, 3/8 X 50	2
13	71508979	HOSE ASM, 3/8 X 72	2
14	159569	HOSE ASM, 3/8 X 161	2

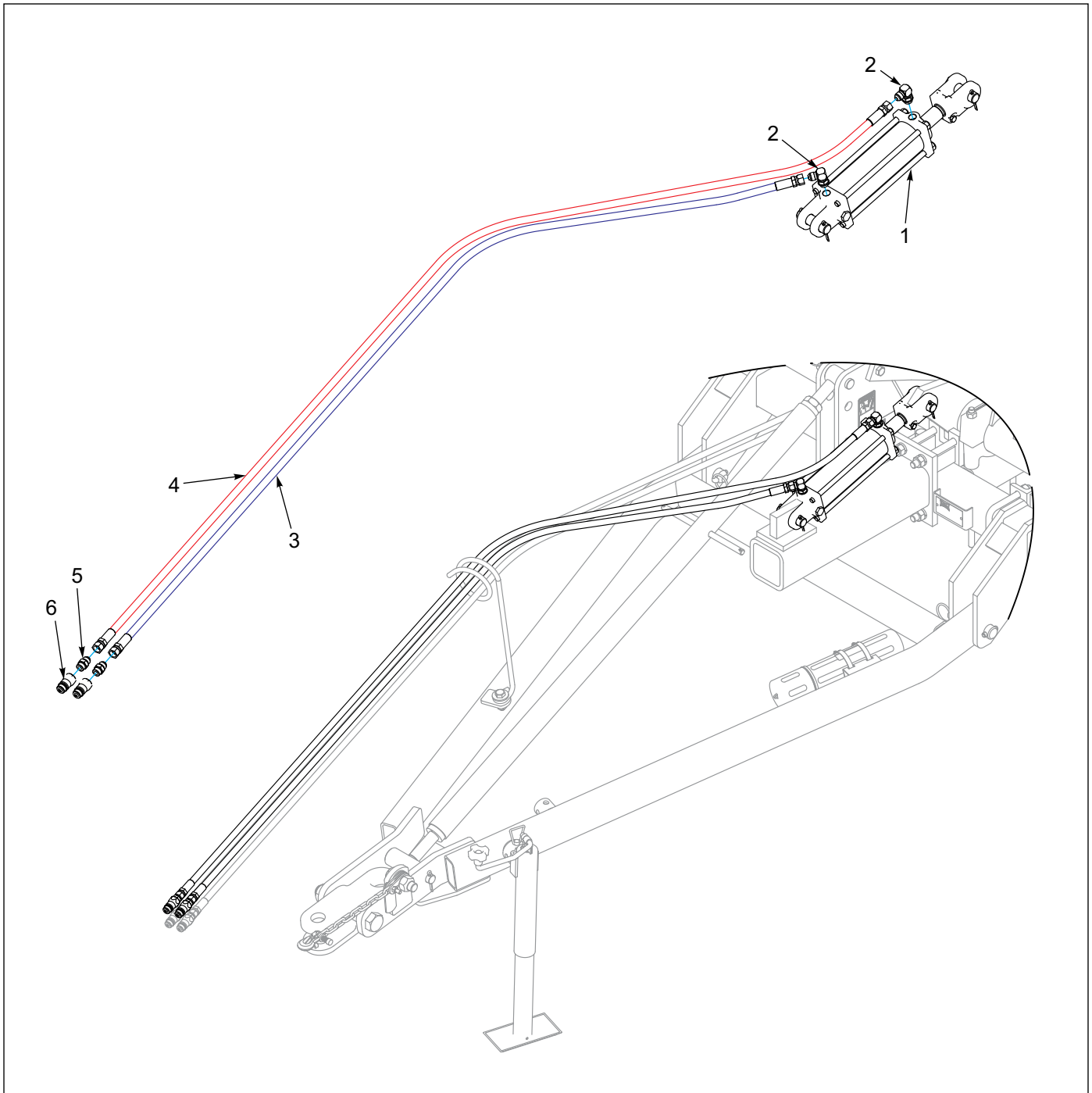


Figure 1-30: Hydraulic Coupler Schematic - 7 Shank

Hydraulic Coupler Schematic - 7 Shank

ITEM	PART NUMBER	DESCRIPTION	QTY
1	5J280	HYD CYLINDER - 3 X 8 (SEE FIGURE 1-40)	1
2	2062-8-8S	ADAPTER, 90, #8 O-RING TUBE	2
3	139213	HOSE ASM, 3/8 X 105, #8 JIC SWIV	1
4	1422176	HOSE ASM, 3/8 X 116, #8 JIC SWIV	1
5	202702-8-8S	ADAPTER, #8 O-RING TO #8 TUBE	2
6	141828	COUPLER, MALE 3/4-16 O-RING	2

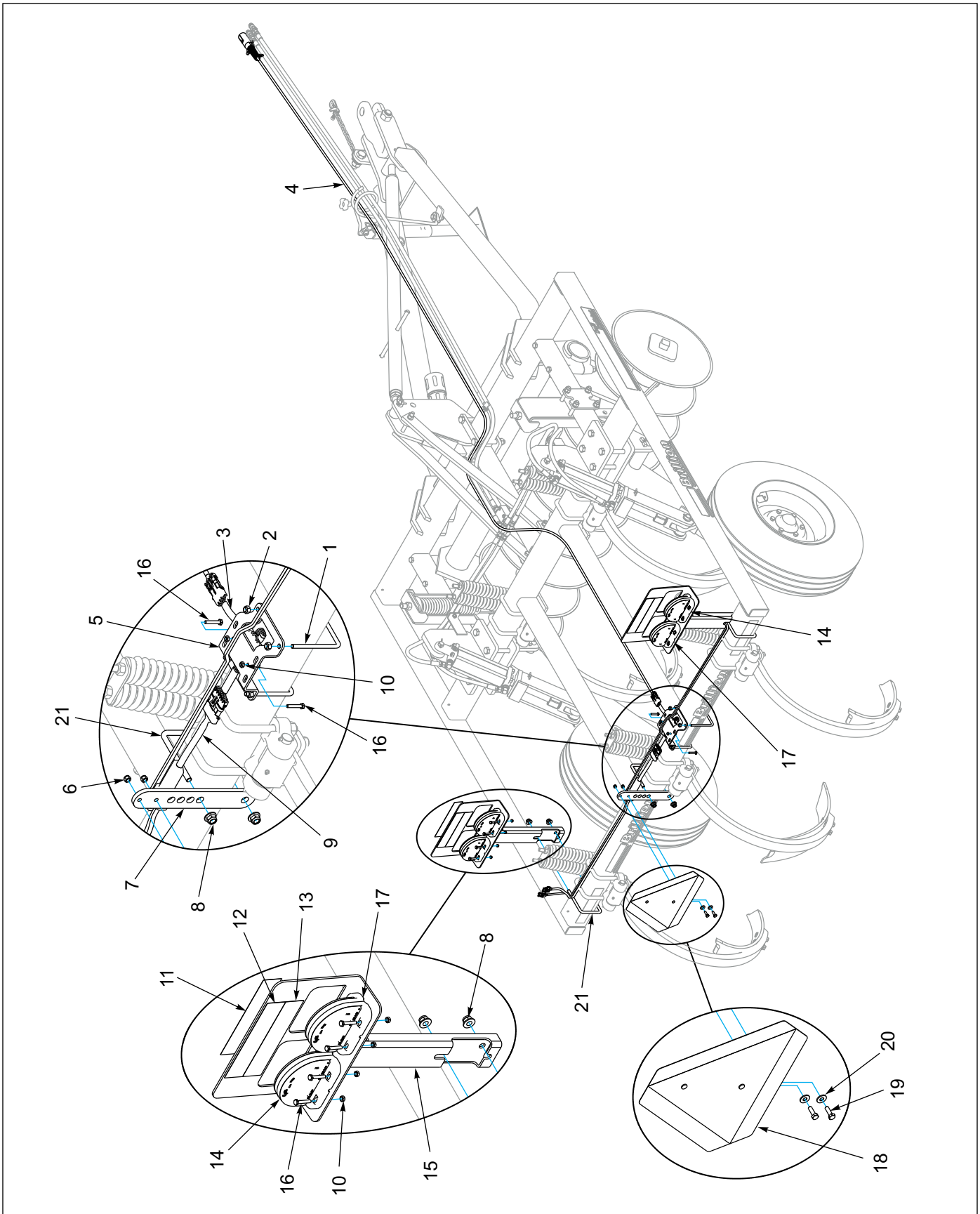


Figure 1-31: LED Warning Lights - 08/01/2013 and After, 5 Shank

LED Warning Lights - 08/01/2013 and After, 5 Shank

ITEM	PART NUMBER	DESCRIPTION	QTY
1	178507	U-BOLT, 3/8-16 X 4-3/8 X 5, ZP	2
2	2P252	NUT, FLANGE NY-LOK 3/8-16	4
3	174437	MODULE, AG FLASHER CONTROL	1
4	178516	HARNESS, 7PIN/4 PIN WP, 20	1
5	178506	BRACKET, MODULE MOUNT	1
6	104032	NUT, HX SLF-LKG W/MYL 5/16-18	2
7	164678	MOUNT, SMV	1
8	2P253	NUT, FLANGE NY-LOK 1/2-13	6
9	178525	HARNESS, LAMP 84 X 84	1
10	1-512-010005-01	NUT, HEX, SLFLKG GRB 1/4-20	18
11	528934	REFLECTOR - YELLOW	2
12	528933	REFLECTOR - RED	2
13	528938	STRIPE, ORANGE	2
14	174436	LAMP, AG AMBER SINGLE LED	2
15	178554	BRACKET WLDMT, LIGHT	2
16	1-654-010047-08	SCREW, HX CP, 1/4-20UNC X 1-1/2, G5	18
17	174435	LAMP, AG RED SINGLE LED	2
18	2P151	SMV/W BRACKET	1
19	1-654-010049-05	SCREW, HX CP 5/16-18UNC X 1, GR5	2
20	1-861-010032-09	WASHER, FLAT 5/16 W, ZP/CD	2
21	3J562	U-BOLT, 1/2-13 X 5-1/2 X 4	3
22	105874	TIE, STRAP PLSTC 21.5-24 X .301 (NOT SHOWN)	14

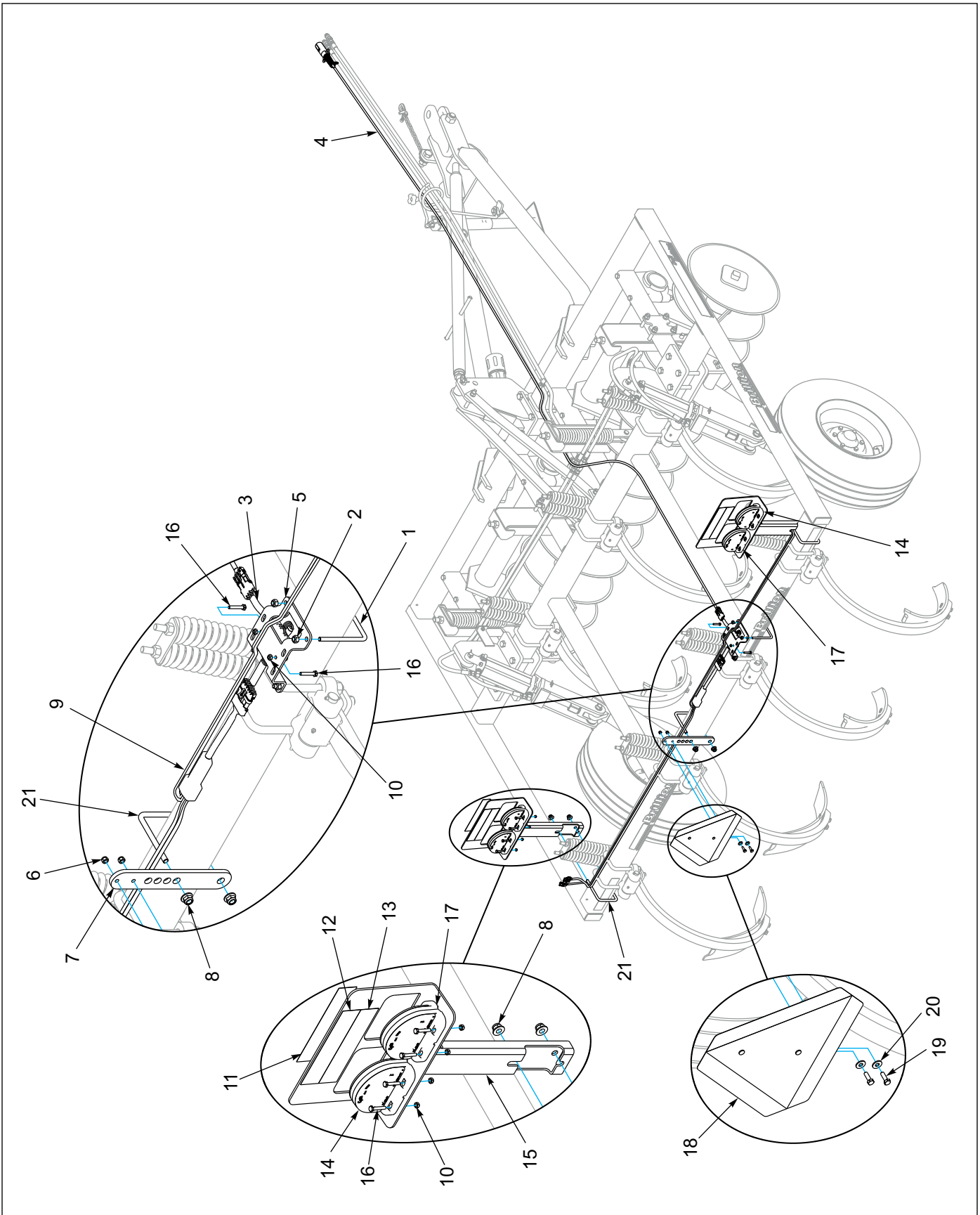


Figure 1-32: LED Warning Lights - 08/01/2013 and After, 7 Shank

LED Warning Lights - 08/01/2013 and After, 7 Shank

ITEM	PART NUMBER	DESCRIPTION	QTY
1	178507	U-BOLT, 3/8-16 X 4-3/8 X 5, ZP	2
2	2P252	NUT, FLANGE NY-LOK 3/8-16	4
3	174437	MODULE, AG FLASHER CONTROL	1
4	178516	HARNESS, 7PIN/4 PIN WP, 20	1
5	178506	BRACKET, MODULE MOUNT	1
6	104032	NUT, HX SLF-LKG W/MYL 5/16-18	2
7	164678	MOUNT, SMV	1
8	2P253	NUT, FLANGE NY-LOK, 1/2-13	6
9	178525	HARNESS, LAMP 84 X 84	1
10	1-512-010005-01	NUT, HEX, SLFLKG GRB 1/4-20	18
11	528934	REFLECTOR - YELLOW	2
12	528933	REFLECTOR - RED	2
13	528938	STRIPE, ORANGE	2
14	174436	LAMP, AG AMBER SINGLE LED	2
15	178554	BRACKET WLDMT, LIGHT	2
16	1-654-010047-08	SCREW, HX CP, 1/4-20UNC X 1-1/2, G5	18
17	174435	LAMP, AG RED SINGLE LED	2
18	2P151	SMV/W BRACKET	1
19	1-654-010049-05	SCREW, HX CP 5/16-18UNC X 1, GR5	2
20	1-861-010032-09	WASHER, FLAT 5/16 W, ZP/CD	2
21	3J562	U-BOLT, 1/2-13 X 5-1/2 X 4	3
22	105874	TIE, STRAP PLSTC 21.5-24 X .301 (NOT SHOWN)	14

ILLUSTRATED PARTS LIST

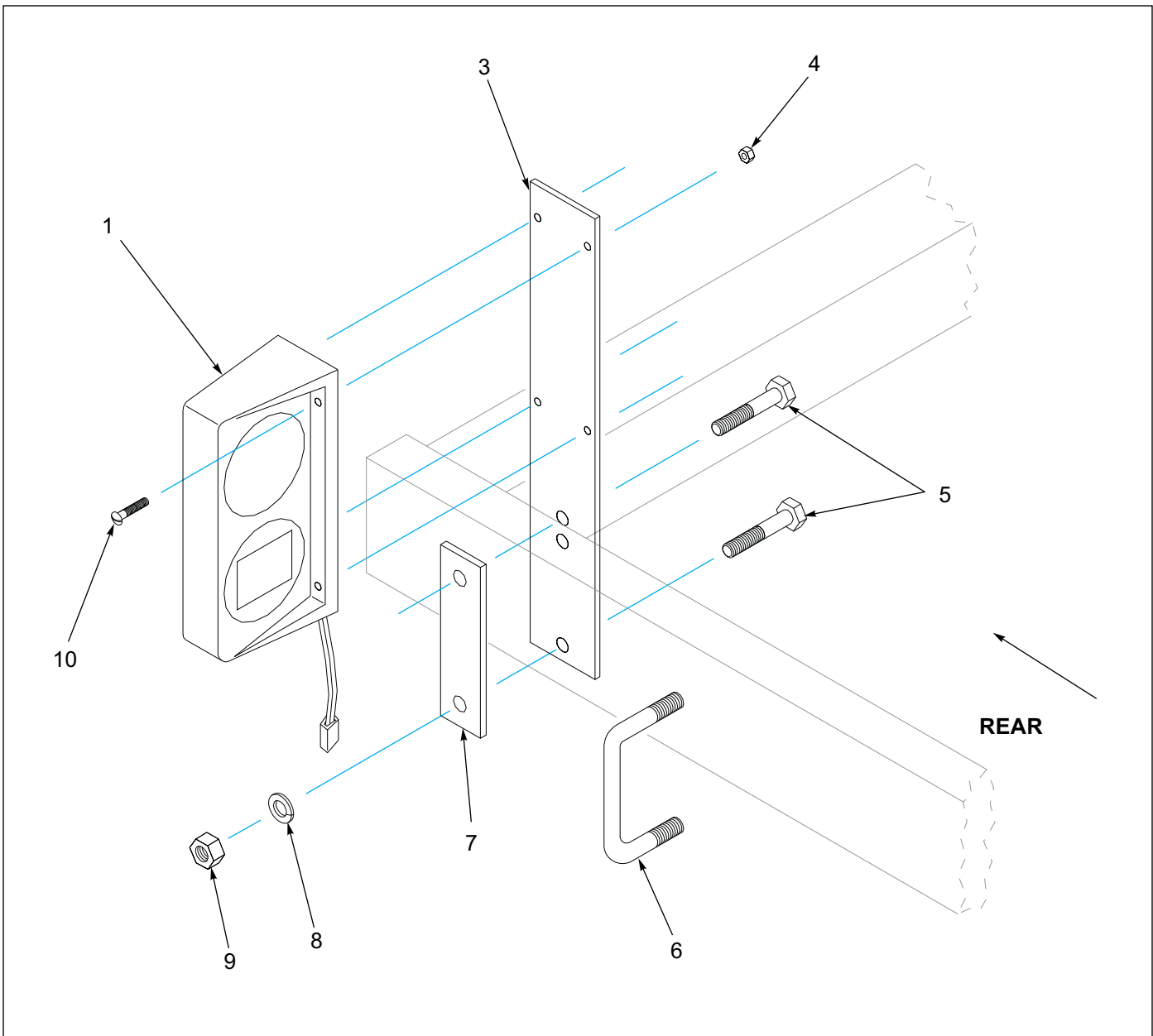


Figure 1-33: Warning Lamp Assembly - 07/31/2014 and Prior

Warning Lamp Assembly - 07/31/2013 and Prior

ITEM	PART NUMBER	DESCRIPTION	QTY
1	4K773	RH DUAL LAMP (SHOWN)	1
2	4K772	LH DUAL LAMP	1
3	4K871	MOUNTING STRAP	2
4	108417	NUT, SPIRAL 1/4-20HX FG	8
5	1-654-010055-11	SCREW, HX CP 1/2-13UNC X 3-1/2	4
6	5J915	U-BOLT, 1/2-13 X 3-1/4 X 4 9/16	2
7	3J662	STRAP	2
8	1-861-010034-13	WASHER, LKG HLCL SPR, 1/2	4
9	1-512-010007-09	NUT, HEX 1/2-13, ZP	4
10	4K782	MACHINE SCREW, 1/4-20 X 1-1/4	8

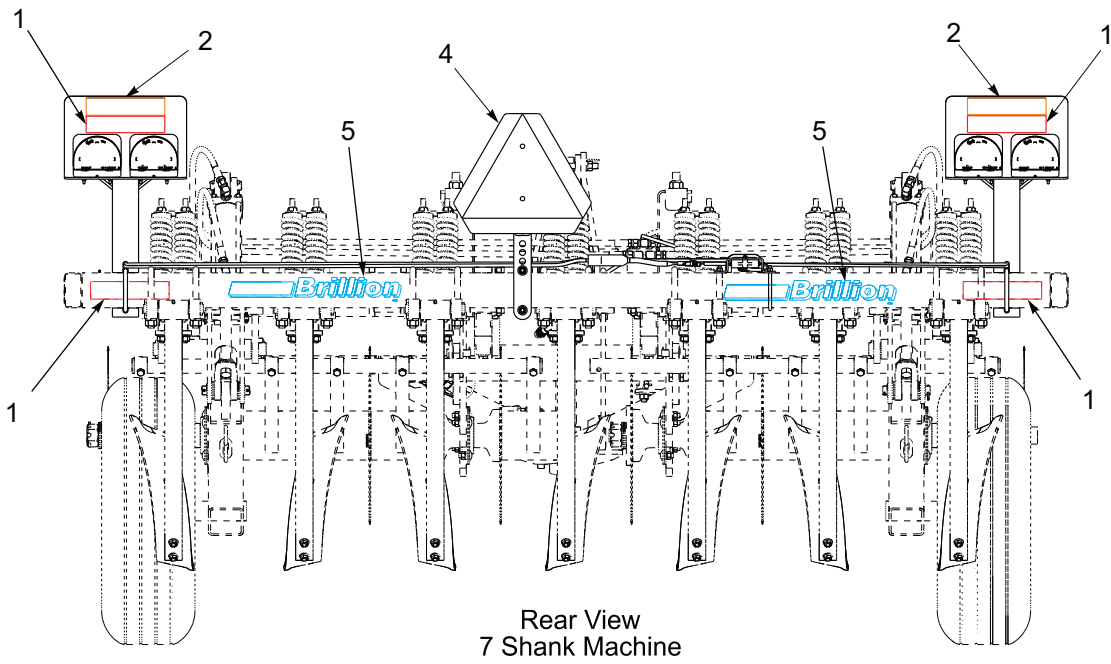
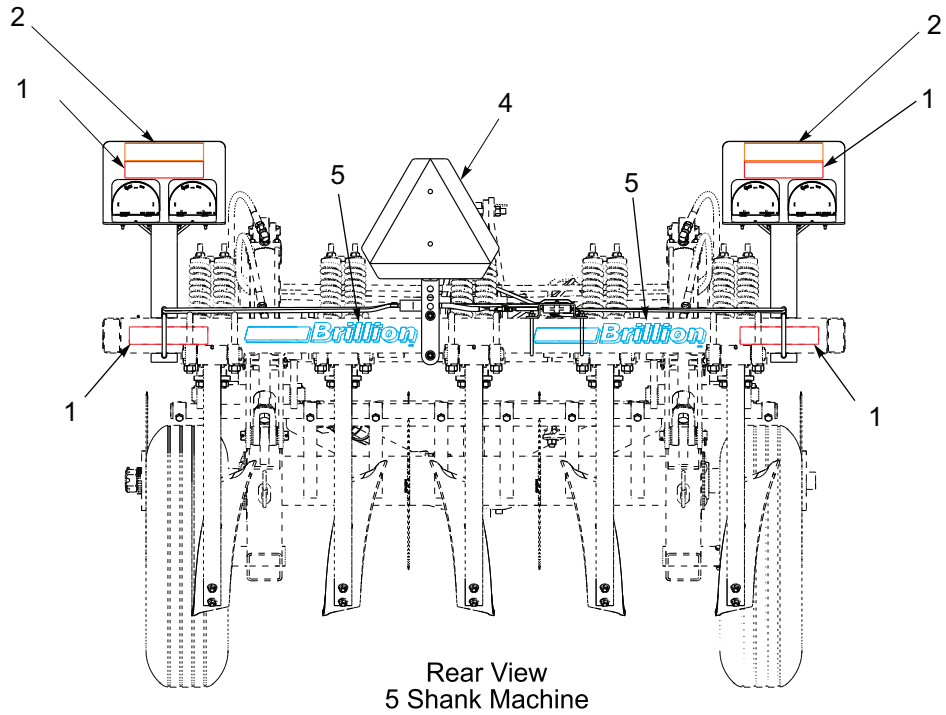


Figure 1-34: Decals (1 of 2)

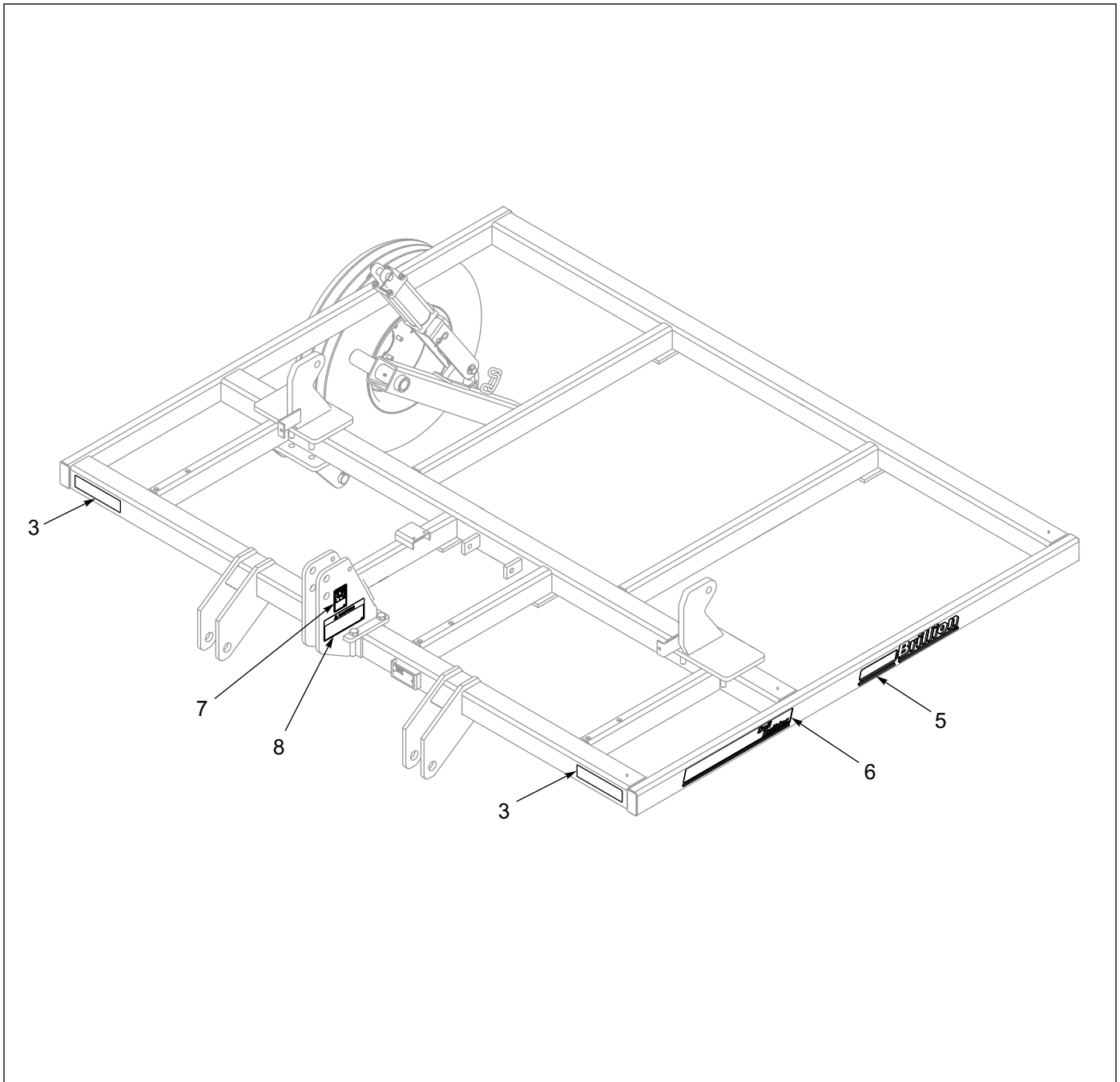


Figure 1-35: Decals (2 of 2)

Decals

ITEM	PART NUMBER	DESCRIPTION	QTY
1	528933	REFLECTOR - RED	4
2	528938	STRIPE, ORANGE	2
3	528934	REFLECTOR - YELLOW	2
4	2P151	SMV W/BRACKET	1
5	4K036	DECAL-BRILLION (2 3/4 X 20)	4
6	4K140	DECAL - "SOIL BUILDER"	2
7	3K706	DECAL-WARNING HYDRAULIC LEAKS	1
8	8J310	DECAL - CAUTION	1

ILLUSTRATED PARTS LIST

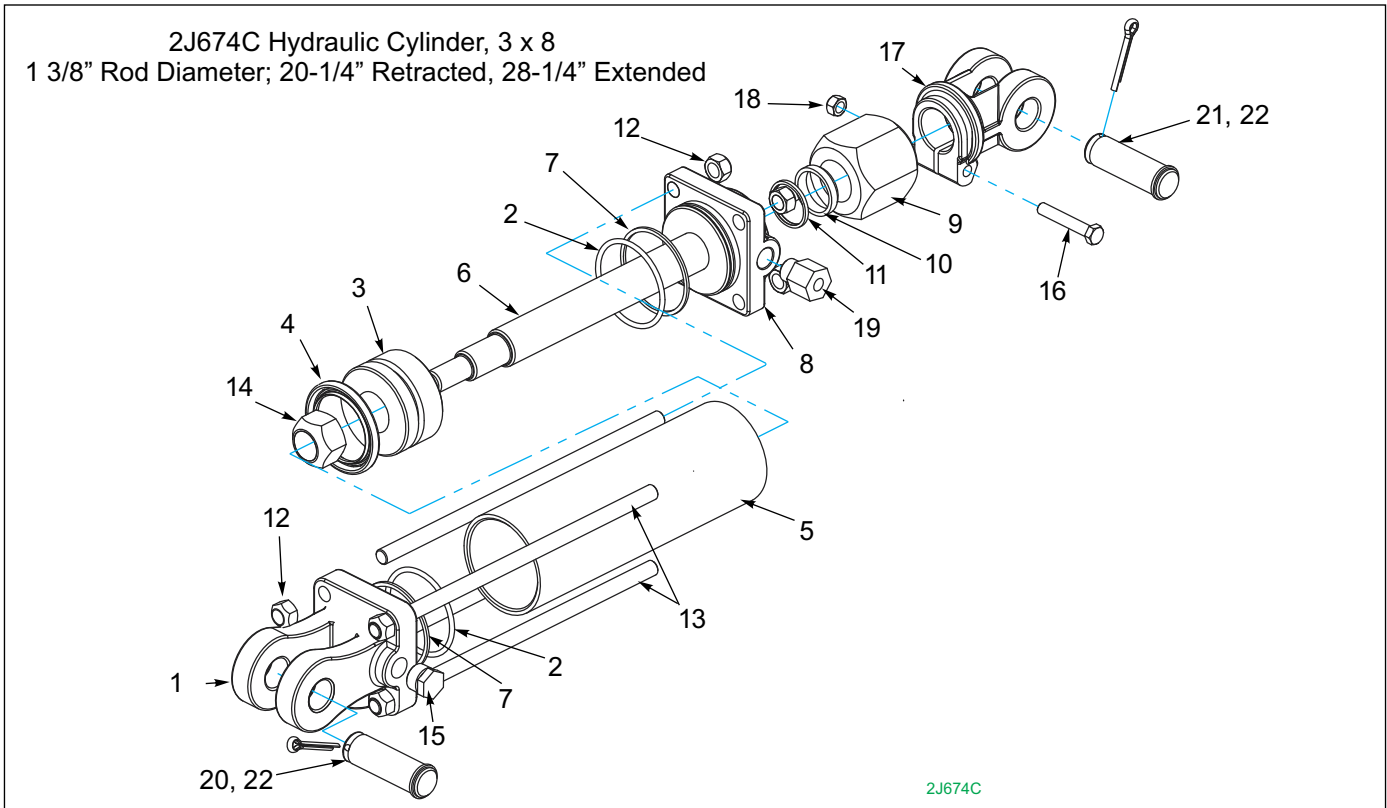


Figure 1-36: Hydraulic Cylinder - 3 X 8

Hydraulic Cylinder - 3 X 8, Replaced by 2J674 (Lion)

ITEM	PART NUMBER	DESCRIPTION	QTY
	2J674C	HYD CYLINDER - 3 X 8 (CROSS)	1
1	9K741	BASE CLEVIS	2
2	-----	O-RING	1
3	9K472	PISTON	1
4	-----	CROWN SEAL	1
5	5K687	TUBE	1
6	9K473	ROD	2
7	-----	BACK UP	1
8	9K474	HEAD	1
9	9K475	STOP COLLAR ASSEMBLY	1
10	-----	WIPER	1
11	-----	U-CUP	8
12	1C109	NUT	4
13	9K476	TIE ROD	1
14	9K477	NUT	1
15	-----	PLUG ASSEMBLY	1
16	5K697	CAPSCREW	1
17	5K696	ROD CLEVIS	1
18	5K698	NUT	1
19	7J025	ADAPTER ASSEMBLY	2
20	2D799	CLEVIS PIN, 1 X 3	1
21	9K492	CLEVIS PIN	1
22	6C468	COTTER PIN, 3/16 X 2	2
23	9K491	SEAL KIT (INCLUDES ITEMS 2,5,7,10, AND 11)	REF

2J674M Hydraulic Cylinder, 3 x 8
 1 3/8" Rod Diameter; 20-1/4" Retracted, 28-1/4" Extended

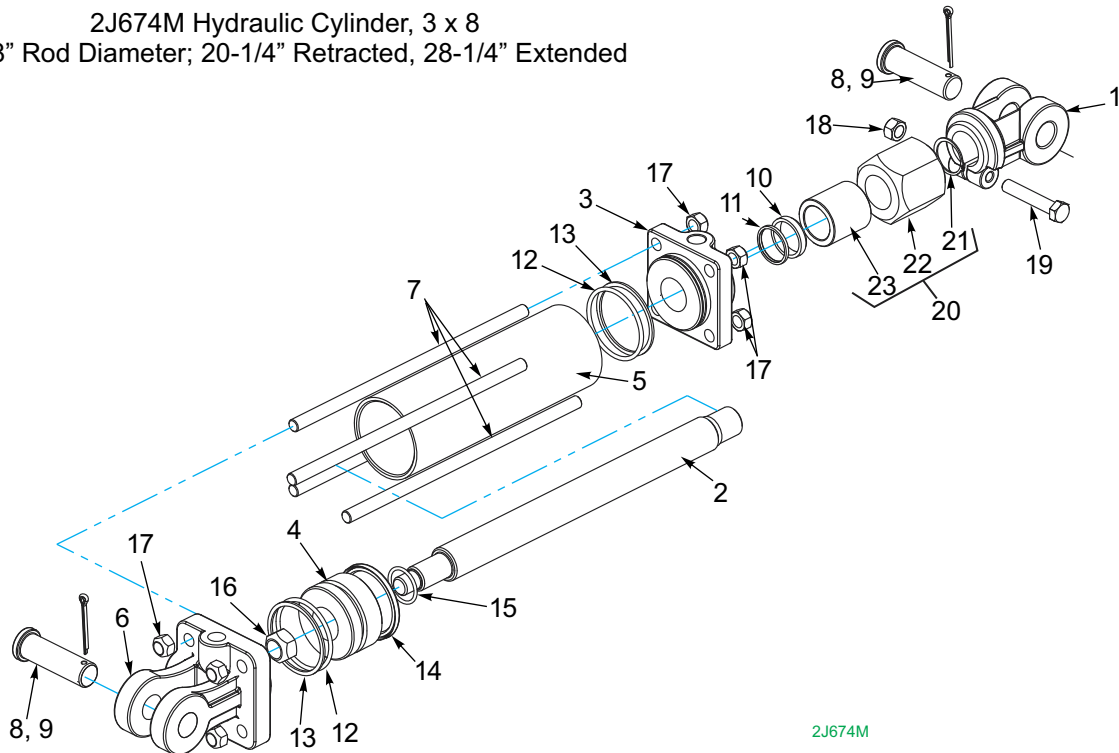


Figure 1-37: Hydraulic Cylinder - 3 X 8

Hydraulic Cylinder - 3 X 8, Replaced by 2J674 (Lion)

ITEM	PART NUMBER	DESCRIPTION	QTY
	2J674M	HYD CYLINDER - 3 X 8 (MIDWAY)	
1	9K484	CLEVIS	1
2	9K483	ROD	1
3	9K482	HEAD	1
4	9K481	PISTON	1
5	9K480	TUBE	1
6	9K479	BASE	1
7	9K478	TIE ROD	4
8	9K038	CLEVIS PIN	2
9	6C468	COTTER PIN, 3/16 X 2	2
10	-----	ROD WIPER	1
11	-----	U-CUP	1
12	-----	O-RING	2
13	-----	BACK-UP	2
14	-----	CROWN SEAL	1
15	-----	O-RING	1
16	-----	NUT, LOCK 1.0-14 GRB	1
17	9K485	TIE ROD NUT	8
18	5C954	CLEVIS NUT, 3/8-16 NC STOVER GRB PLATED	1
19	7C937	HHCS, 3/8-16 X 1-3/4	1
20	9K486	COLLAR ASSY (INCLUDES ITEMS 21-23)	1
21	9K489	RETAINER	1
22	9K488	HEX COLLAR	1
23	9K487	ROD COLLAR	1
24	9K490	SEAL KIT (INCLUDES ITEMS 10-14)	REF

2J674P Hydraulic Cylinder, 3 x 8
1 3/8" Rod Diameter; 20-1/4" Retracted, 28-1/4" Extended

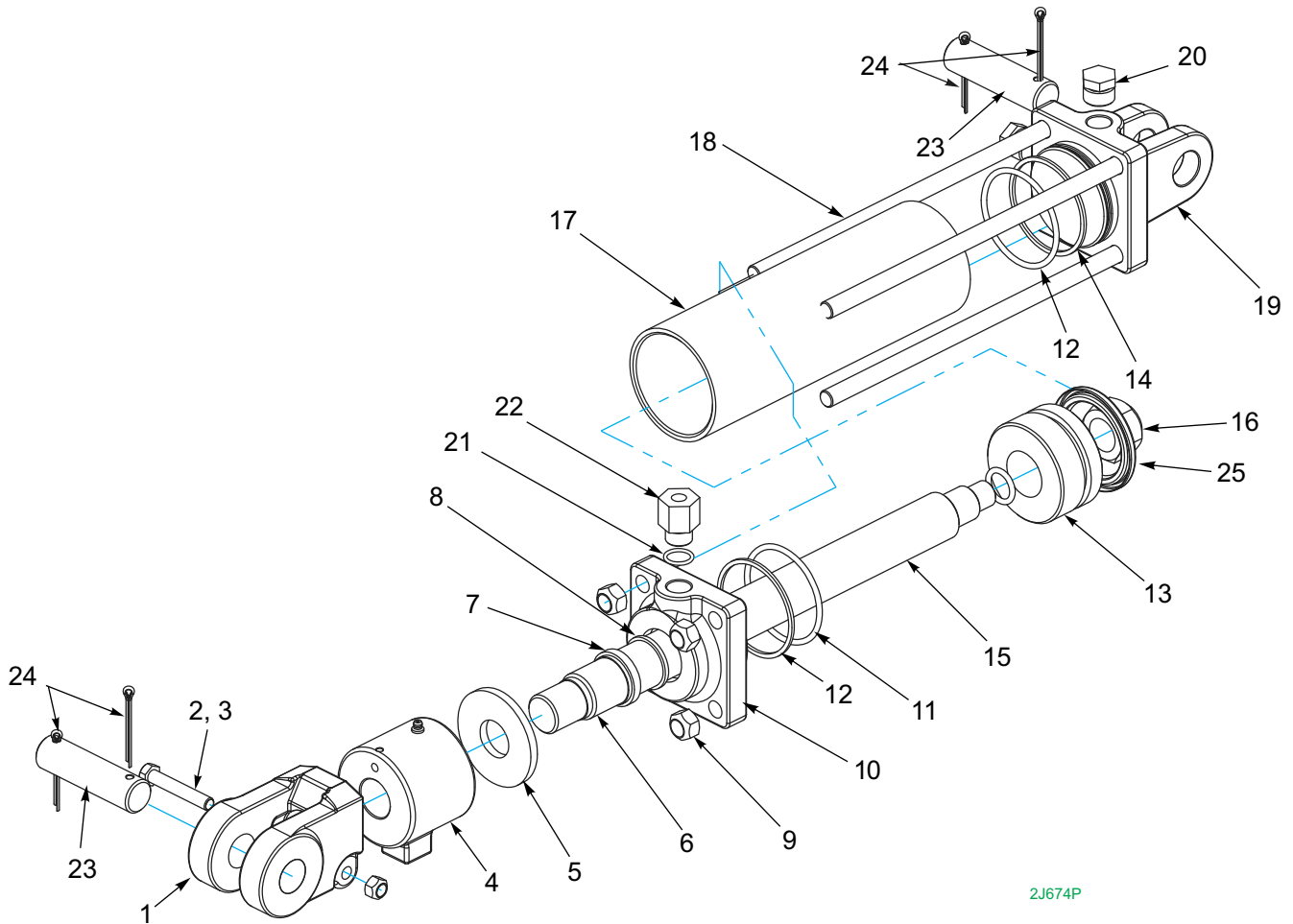


Figure 1-38: Hydraulic Cylinder - 3 X 8

Hydraulic Cylinder - 3 X 8, Replaced by 2J674

ITEM	PART NUMBER	DESCRIPTION	QTY
	2J674P	HYD CYLINDER - 3 X 8 (PRINCE)	
1	9D481	ROD CLEVIS	1
2	9C271	HHCS, 3/8-16 X 2-1/4 GR5	1
3	5C954	NUT, LOCK 3//8-16	1
4	7K943	STROKE CONTROL	1
5	5J170	DUST COVER	1
6	7K942	CYL ROD	1
7	-----	ROD WIPER	1
8	-----	U-CUP	1
9	2C112	NUT, HX LOCK 1/2-13NC HVY ELSTC	4
10	7K931	GLAND (WITH PORT REQUIRING O-RING FITTING)	1
11	-----	O-RING	2
12	-----	BACK-UP WASHER	2
13	7K930	PISTON	1
14	-----	BACK-UP WASHER	2
15	-----	O-RING	1
16	-----	NUT, LOCK 1.0-14 GRB	1
17	3J114	TUBE	1
18	7K934	TIE ROD	4
19	7J049	BASE	1
20	7J025	PLUG, O RING	1
21	-----	O-RING	3
22	-----	ADAPTER	2
23	5J650	CLEVIS PIN	2
24	-----	COTTER PIN, 5/32 X 2	4
25	-----	CROWN SEAL	1
26	7K926	SEAL KIT (INCLUDES ITEMS 10-14)	REF

ILLUSTRATED PARTS LIST

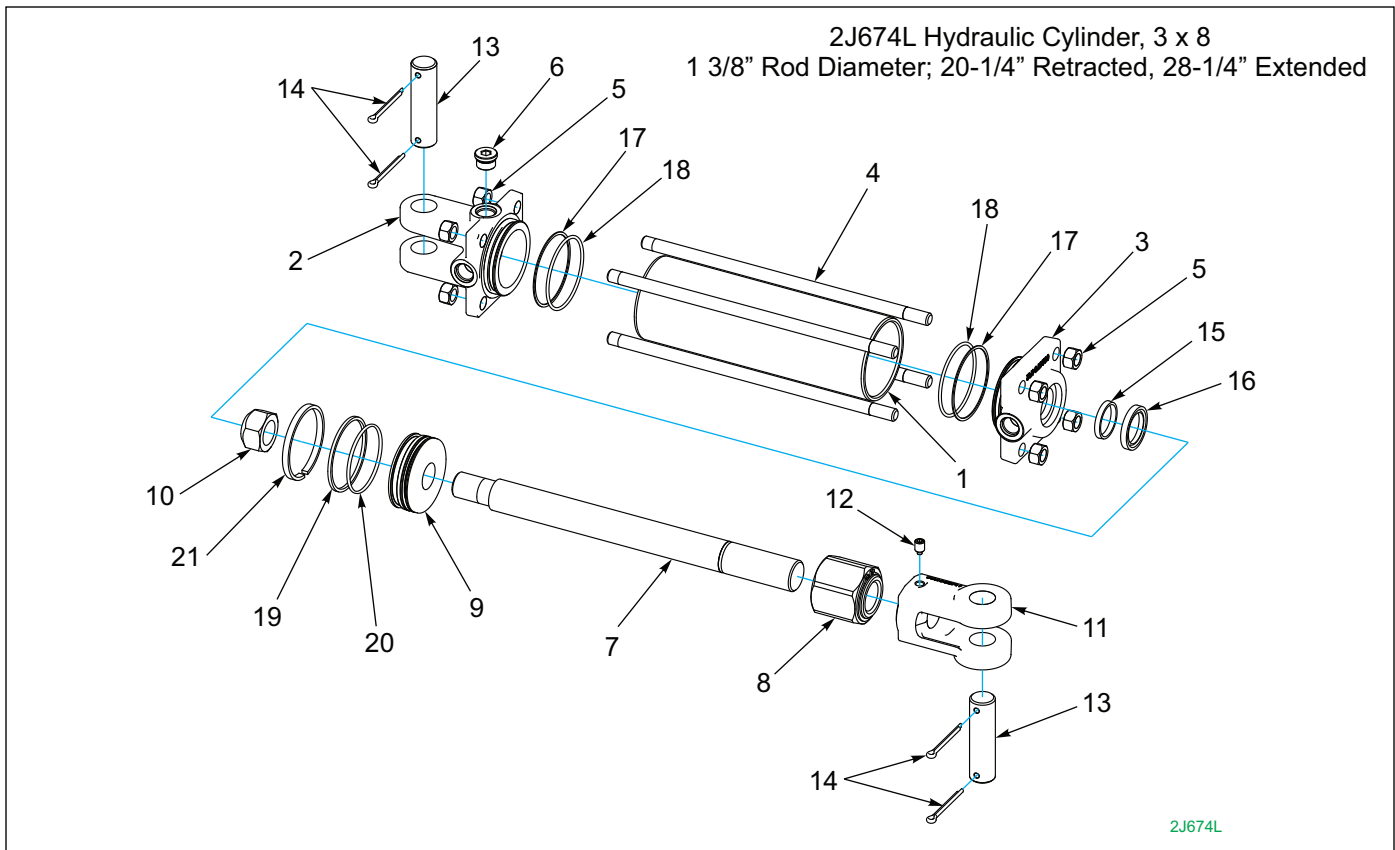


Figure 1-39: Hydraulic Cylinder - 3 X 8

Hydraulic Cylinder - 3 X 8

ITEM	PART NUMBER	DESCRIPTION	QTY
	2J674	HYD CYLINDER - 3 X 8 (LION)	
1	----	TUBE	1
2	----	CLEVIS CAP	1
3	----	ROD CAP	1
4	----	TIE ROD	4
5	1-512-010007-09	NUT, HEX 1/2-13, ZP	8
6	----	PLUG, SOCKET HEAD 3/4-16	1
7	----	ROD	1
8	----	STROKE CONTROL ASSEMBLY	1
9	----	PISTON	1
10	----	NUT, LOCK 1.0-14 GRB	1
11	2P737	ROD CLEVIS	1
12	1P443	SET SCREWS, 3/8-16 X 1/2 NYLON TIP	1
13	5J650	PIN, 1.0 X 3.625 H2	2
14	110-4224	PIN,COTTER 3/16 X 2IN LG	4
15	----	SEAL, HALLITE 605 ROD 1-1/4 D	1
16	----	SEAL WIPER ROD, 1.250 METAL E	1
17	----	SEAL, BU#232 19PI-232	2
18	----	O-RING, 232 (2.75X3) BUNAN D9	2
19	----	SEAL,PTFE PISTON RING 3 DIA	1
20	----	O-RING, 145 (2.562X2.75) DUR9	1
21	----	WEAR RING,3.00-2.75-.25-GFN	1
22	1P743	SEAL KIT (INCLUDES ITEMS 15-21)	REF

5J280P Hydraulic Cylinder, 3 x 8
 1 3/8" Rod Diameter; 20-1/4" Retracted, 28-1/4" Extended

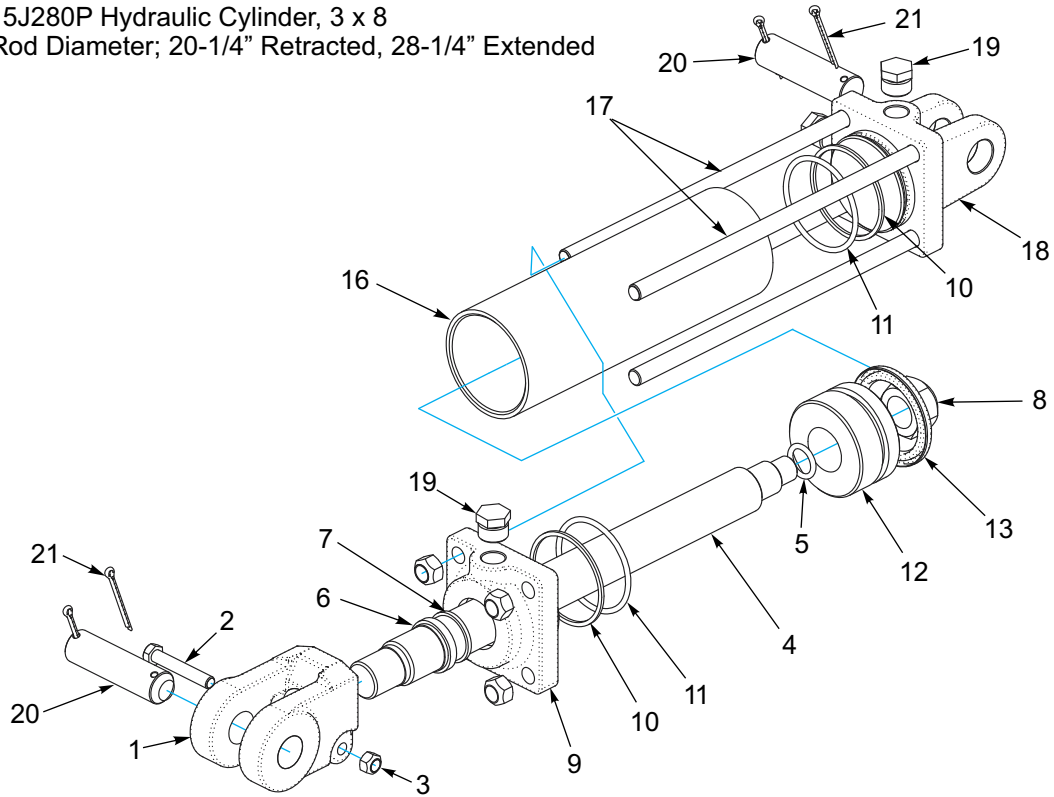


Figure 1-40: Hydraulic Cylinder - 3 X 8

Hydraulic Cylinder - 3 X 8

ITEM	PART NUMBER	DESCRIPTION	QTY
	5J280	HYD CYLINDER - 3 X 8 (PRINCE)	
1	9D481	ROD CLEVIS	1
2	9C271	HHCS, 3/8-16 NC X 2-1/4, GR5	1
3	1-512-010005-05	NUT, HEX, SLFLKG GRB 3/8-16	1
4	7K942	PISTON ROD	1
5	-----	O-RING	1
6	-----	ROD WIPER	1
7	-----	U-CUP	1
8	-----	PISTON NUT, 1-14 UNF, SELF LOCKING	1
9	7K931	GLAND	1
10	-----	BACK UP WASHER	2
11	-----	O-RING	2
12	7K930	PISTON	1
13	-----	CROWN SEAL	1
14	6J340	TUBE	1
15	7K932	TIE ROD W/NUT	4
16	7J049	BASE	1
17	7J025	PLUG, O-RING	1
18	-----	O-RING	3
19	-----	ADAPTOR	2
20	5J650	CLEVIS PIN	2
21	-----	COTTER PIN, 5/32 X 2	4
22	7K926	SEAL KIT FOR 5J280 (INCLUDES ITEMS 5-8,10,11, AND 13)	REF

Numerical Index

Numerics

1/2-13X2-1/2PLW	1-21	1-512-010005-19	1-13
1/2-13X3PLOW	1-21	1-512-010007-05	1-40, 1-42
100823	1-14	1-512-010007-07	1-40, 1-42
100855	1-3, 1-5	1-512-010007-09	1-31, 1-33, 1-35, 1-36, 1-37, 1-38, 1-48, 1-56
101385	1-13	1-512-010007-11	1-3, 1-5, 1-13, 1-17, 1-23, 1-25, 1-27, 1-28
104032	1-45, 1-47	1-512-010007-12	1-3, 1-5, 1-15, 1-17, 1-27
105-0093	1-13	1-516-010001-20	1-8
105874	1-45, 1-47	1-516-010001-27	1-36, 1-37, 1-38
1-076-010007	1-8	154172	1-28
1-076-010010	1-8	1-557-010327	1-13
108417	1-48	1-557-010362-51	1-8
110-0351	1-23, 1-25, 1-27	1-557-010362-63	1-13
110-4224	1-3, 1-5	1-557-010362-65	1-36, 1-37, 1-38
1-116-010019	1-13	159569	1-39, 1-40, 1-41, 1-42
1-161-010003	1-8	164678	1-45, 1-47
120876	1-3, 1-5	1-647-010004217	1-17
1-298-010001-1	1-6, 1-7, 1-8, 1-17, 1-23, 1-25, 1-27	1-654-010047-08	1-45, 1-47
139213	1-43	1-654-010047-10	1-40, 1-42
141433	1-13	1-654-010049-05	1-45, 1-47
141776	1-17	1-654-010051-07	1-40, 1-42
141828	1-39, 1-41, 1-43	1-654-010051-13	1-6, 1-7
1422176	1-43	1-654-010055-07	1-31, 1-33, 1-35
147072	1-3, 1-5	1-654-010055-11	1-48
1-512-010005-01	1-45, 1-47	1-654-010059-05	1-3, 1-5, 1-13
1-512-010005-05	1-6, 1-7, 1-57	1-654-010059-17	1-3, 1-5
1-512-010005-13	1-17, 1-18, 1-27	1-654-010059-21	1-18
1-512-010005-15	1-18	1-654-010059-26	1-23, 1-25
1-512-010005-17	1-28, 1-29	1-654-010061-04	1-27

NUMERICAL INDEX

1-654-010061-19	1-27	2107649	1-8
1-654-010061-20	1-18	2-691-010007	1-21
1-654-010070-02	1-36, 1-37, 1-38	2-691-010008	1-21
1-654-010070-05	1-31, 1-33, 1-35, 1-36, 1-37, 1-38	2C112	1-55
171846	1-6	2C643	1-27
171847	1-7	2D799	1-52
172922	1-29	2J091	1-17
174435	1-45, 1-47	2J092	1-17
174436	1-45, 1-47	2J094	1-17
174437	1-45, 1-47	2J096	1-17
178506	1-45, 1-47	2J644	1-15, 1-18
178507	1-45, 1-47	2J667	1-28, 1-29
178516	1-45, 1-47	2J674	1-3, 1-5, 1-39, 1-41, 1-56
178525	1-45, 1-47	2J674C	1-52
178554	1-45, 1-47	2J674M	1-53
1-861-010032-06	1-40, 1-42	2J674P	1-55
1-861-010032-09	1-45, 1-47	2J682	1-28, 1-29
1-861-010032-11	1-40, 1-42	2J683	1-28, 1-29
1-861-010032-19	1-13	2J689	1-23, 1-25, 1-28
1-861-010032-20	1-23, 1-25, 1-27	2J696	1-3, 1-5
1-861-010032-21	1-21	2J697	1-13, 1-14
1-861-010032-24	1-3, 1-5, 1-8, 1-13	2J717	1-31, 1-33, 1-35
1-861-010032-32	1-36, 1-37, 1-38	2J724	1-3, 1-5
1-861-010034-09	1-40, 1-42	2J734	1-3, 1-5, 1-6
1-861-010034-11	1-40, 1-42	2J736	1-3, 1-5
1-861-010034-13	1-31, 1-33, 1-35, 1-36, 1-37, 1-38, 1-48	2J742	1-6, 1-7
1-861-010034-15	1-3, 1-5, 1-13, 1-17, 1-18, 1-23, 1-25, 1-27, 1-28	2J746	1-3, 1-5, 1-7
1-861-010034-17	1-3, 1-5, 1-15, 1-17, 1-18, 1-27	2J753	1-3, 1-5
1C109	1-52	2J764	1-14
1K724	1-15	2J765	1-14
1P443	1-56	2J776	1-13
1P743	1-56	2J777	1-13
202702-8-8S	1-39, 1-41, 1-43	2J784	1-13
2033-8-8S	1-39, 1-41	2J785	1-13
2062-8-8S	1-39, 1-41, 1-43	2J817	1-3, 1-5
2071-8-8S	1-39, 1-41	2J819	1-3, 1-5
		2J820	1-3, 1-5
		2J822	1-28

2J830	1-14	4C856	1-3, 1-5
2J831	1-3, 1-5	4D100	1-13
2J835	1-28	4J293	1-15
2J840	1-25, 1-27	4J591	1-3
2J844	1-23, 1-25, 1-28	4J594	1-23, 1-31
2J847	1-3, 1-5	4J647	1-31
2K116	1-18	4J648	1-31, 1-36
2K741	1-21	4J651	1-36
2P151	1-45, 1-47, 1-51	4J675	1-17
2P252	1-45, 1-47	4J681	1-15, 1-17
2P253	1-45, 1-47	4J694	1-21
2P464	1-39, 1-40, 1-41, 1-42	4J695	1-21
2P737	1-56	4J761	1-21
3J100	1-5	4J762	1-21
3J114	1-55	4J763	1-21
3J128	1-36, 1-37, 1-38	4J764	1-21
3J129	1-36, 1-37, 1-38	4K036	1-3, 1-5, 1-51
3J130	1-36, 1-37, 1-38	4K076	1-17
3J131	1-36, 1-37, 1-38	4K140	1-3, 1-5, 1-51
3J133	1-36, 1-37, 1-38	4K552	1-21
3J134	1-25, 1-27, 1-33	4K772	1-48
3J135	1-25, 1-27, 1-35	4K773	1-48
3J136	1-33, 1-35	4K782	1-48
3J137	1-33, 1-37	4K871	1-48
3J138	1-35, 1-38	528933	1-3, 1-5, 1-45, 1-47, 1-51
3J451	1-27	528934	1-3, 1-5, 1-45, 1-47, 1-51
3J562	1-45, 1-47	528938	1-45, 1-47, 1-51
3J608	1-13	5C100	1-3, 1-5
3J662	1-48	5C954	1-53, 1-55
3J753	1-37	5J170	1-55
3J754	1-38	5J280	1-27, 1-43, 1-57
3J880	1-13	5J572	1-3, 1-5
3J883	1-21	5J650	1-55, 1-56, 1-57
3J891	1-13	5J915	1-48
3J971	1-15, 1-18	5K687	1-52
3K045	1-36, 1-37, 1-38	5K696	1-52
3K706	1-51	5K697	1-52
415	1-9, 1-10	5K698	1-52

NUMERICAL INDEX

66826	1-21	7J423	1-27
66827	1-21	7K926	1-55, 1-57
6C468	1-52, 1-53, 1-56	7K930	1-55, 1-57
6D234	1-18	7K931	1-55, 1-57
6D274	1-23, 1-25, 1-27	7K932	1-57
6D280	1-17, 1-18	7K934	1-55
6D298	1-18	7K942	1-55, 1-57
6D309	1-23, 1-25, 1-27	7K943	1-55
6D312	1-9, 1-10	8D590	1-14
6D333	1-13	8J130	1-17
6D336	1-8	8J310	1-51
6D338	1-8	8J790	1-9
6D362	1-17	8J791	1-10
6D409	1-17	8J837	1-21
6D529	1-13	8J838	1-21
6J340	1-57	9C271	1-55, 1-57
6J459	1-17	9D283	1-40, 1-42
6J765	1-8	9D481	1-55, 1-57
6J766	1-6, 1-7, 1-8	9D653	1-27
6K919	1-3, 1-5, 1-9	9D989	1-25, 1-27
6K921	1-10	9K038	1-53
712099	1-8	9K472	1-52
71508979	1-42	9K473	1-52
71508992	1-39, 1-40, 1-41, 1-42	9K474	1-52
7C076	1-3, 1-5	9K475	1-52
7C937	1-53	9K476	1-52
7C940	1-14	9K477	1-52
7D590	1-23, 1-25, 1-27	9K478	1-53
7J025	1-52, 1-55, 1-57	9K479	1-53
7J049	1-55, 1-57	9K480	1-53
7J397	1-27	9K481	1-53
7J398	1-27	9K482	1-53
7J408	1-27	9K483	1-53
7J415	1-27	9K484	1-53
7J419	1-29	9K485	1-53
7J420	1-29	9K486	1-53
7J421	1-27, 1-29	9K487	1-53
7J422	1-27	9K488	1-53

9K489 1-53
9K490 1-53
9K491 1-52
9K492 1-52
9K741 1-52

E

EP6137 1-21
EP6138 1-21

Chapter 3

Glossary

For clarity this glossary of industry standard abbreviations and their definitions are provided.

A

ASM Assembly

B

BLK Black
BRG Bearing

C

CB Carriage Bolt
CONN Connector
CRG Carriage
CVR Cover
CYL Cylinder

D

DBL Double
DIA Diameter

E

ENCLSD Enclosed

F

FHCS Flanged Head Cap Screw
FHHCS Flanged Hex Head Cap Screw
FL OR FLG Flange
FLT Flat
FTG Fitting

G

GA Gauge
Gr Grade

H

HHCS Hex Head Cap Screw
HCS High Carbon Steel
HD Head
HLCL Helical
HCSKT Hex Socket
HYD Hydraulic

I

ID Inside Diameter

L

LH Lefthand
LKG OR LOCK Locking
LWR Lower

M

MANF Manifold
MNT Mount

N

NRW Narrow
----- Not Serviced Separately

GLOSSARY

O

OD Outside Diameter
ORFS OR ORS O-Ring Seal
ORP OR ORB O-Ring Boss

R

RH Righthand
RND Round

S

SER Series
SHCS Socket Head Cap Screw
SHLD Shield
SKT Socket
SLFLKG Selflocking
SOC Socket
SPR Spring
SQ Square
SRTD Serrated
SSCR Setscrew
SST Stainless Steel
STD Standard

U

UPR Upper

W

WHL Wheel
WLD OR WLDMT Weldment

Z

ZP Zinc Plated

Document Control Revision Log:

Date	Revision	Improvement(s) Description and Comments	Team Member
07/07/08	482rev0708	Latest Release	
06/2014	482rev0614	Added LED Warning Lights, Updated Drawings	WML
	482rev0614	ECN 51831 - Drawbar Jack (Rev. 03/20/2026)	



Equipment from Landoll Company, LLC is built to exacting standards ensured by ISO 9001:2015 registration at all Landoll manufacturing facilities.

SOIL BUILDER

Coulter Chisel

Models: CD53-1, 73-1 and HCD73-1

Parts Manual

Re-Order Part Number 3J161

LANDOLL COMPANY, LLC

1900 North Street

Marysville, Kansas 66508

(785) 562-5381

800-428-5655 ~ WWW.LANDOLL.COM



Copyright 2020. Landoll Company, LLC

"All rights reserved, including the right to reproduce this material or portions thereof in any form."