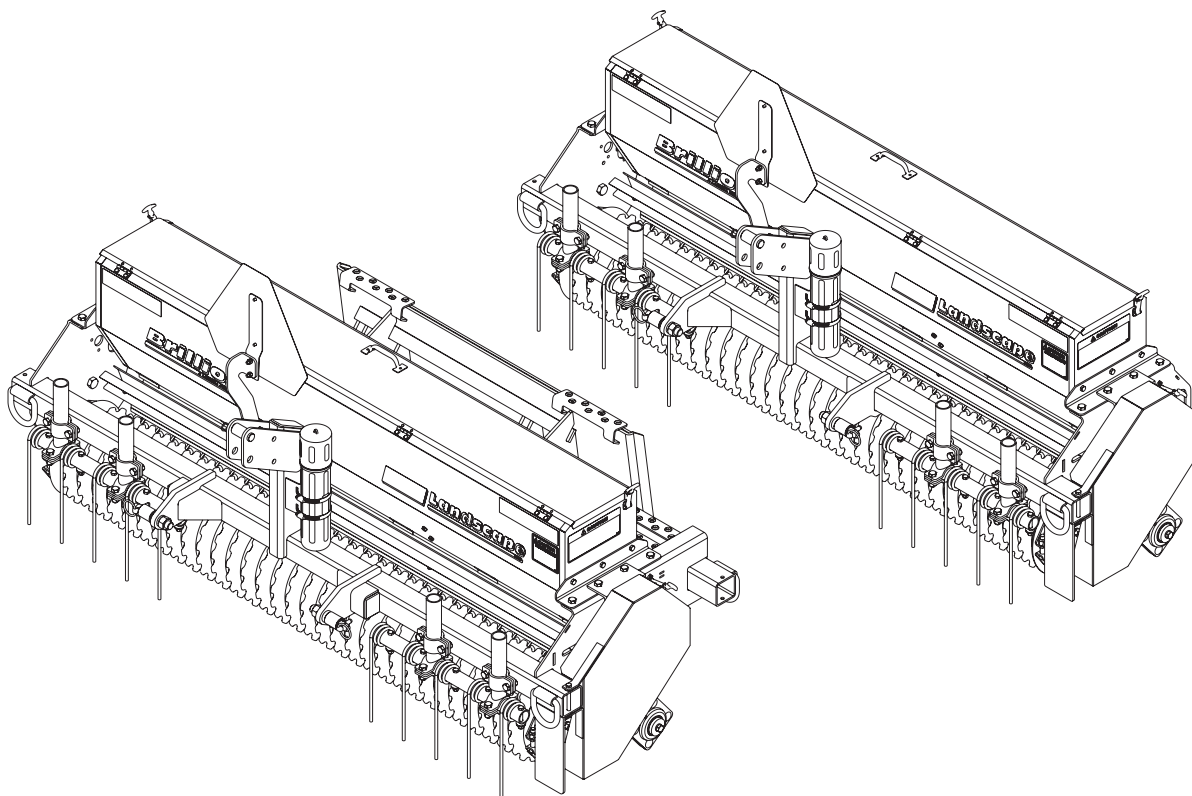




Landscaper Grass Seeder Models LS5, LS6, LSP5, LSP6, LSS6 Parts Manual



LANDOLL COMPANY, LLC

1900 North Street

Marysville, Kansas 66508

(785) 562-5381

800-428-5655 ~ WWW.LANDOLL.COM

Manuals for Landscape Grass Seeders LSP5, LSP6 and LSS6

Manual Number	Manual Type
7K458	Operator's Manual
7K457	Parts Manual

Table of Contents

1 Illustrated Parts List

Instructions for Ordering Parts	1-1
Frame, 3-PT Hitch, Deflectors, Seed Box Mounts, Guard	1-2
Skid Steer Frame, Quick Attach, Deflectors, Seed Box Mounts, Guard	1-4
Coil Tine Harrow, 5FT	1-6
Coil Tine Harrow, 6FT (Full Width)	1-7
Coil Tine Harrow, 6FT (Sections)	1-8
Coil Tine Harrow, 62-1/2"	1-9
Coil Tine Harrow, 75-1/8"	1-10
Coil Tine Harrow, 22-1/2"	1-11
Front and Rear Roller Assemblies	1-12
Rear Heavy Roller Assembly - Optional (6FT Only)	1-14
Front Roller Assembly	1-15
Front Spike Roller Assembly (6FT Only)	1-16
Rear Roller Assembly	1-17
Rear Roller w/ Sprocket Assembly	1-18
Rear Heavy Roller Assembly (6FT Only)	1-19
SMV Sign	1-20
Transmission Assembly	1-22
Seed Box Assembly, 5FT	1-24
Seed Box Assembly, 6FT	1-26
Blade Agitator Kit - Optional	1-28
Brush Agitator Kit - Optional	1-29
Brush Agitator Assembly - 28"	1-30
Brush Agitator Assembly - 22-1/2"	1-31
8-Row Brush Agitator - Optional	1-32
Cage Agitator - Optional	1-33
Acre Meter Kit - Optional	1-34
Acre Meter Assembly (After 06/01/2025)	1-36
Acre Meter Assembly (05/15/2012 TO 06/01/2025)	1-37
Acre Meter Assembly (Before 05/15/2012)	1-38
CAT2 Quick Hitch Adapter Kit - Optional	1-40
Lift Sling Kit - Optional	1-41
Decals	1-42
Decal Locations (After 12/2023)	1-44
Decal Locations (Before 12/2023)	1-46

2 Glossary

3 Index

Illustrated Parts List

Instructions for Ordering Parts

**** Repair parts must be ordered through an authorized dealer ****

DEALER INSTRUCTIONS FOR ORDERING PARTS FROM LANDOLL PARTS DISTRIBUTION CENTER

PHONE: 800-423-4320 OR 785-562-5381

FAX: 888-527-3909

ORDER ONLINE: Dealer.landoll.com

DATA PLATE

The Data Plate, which lists the model and serial number of the equipment, is located on the left rear of the machine.

SERIAL NUMBER NOMENCLATURE

The following information will help decode the Landoll serial number.

LSD2200100 = xxmysssss

xx	= model series (i.e. "LS" for all Landscape Seeder)
m	= month of manufacture (ex. "D" means April. The letter I is not used.)
yy	= last digits of the year manufactured (ex. "22" means 2022)
sssss	= Sequential number used to track warranty and service information.

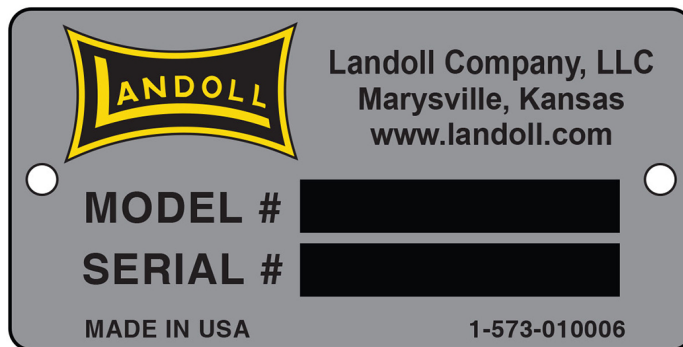


Figure 1-1: Data Plate

Frame, 3-PT Hitch, Deflectors, Seed Box Mounts, Guard

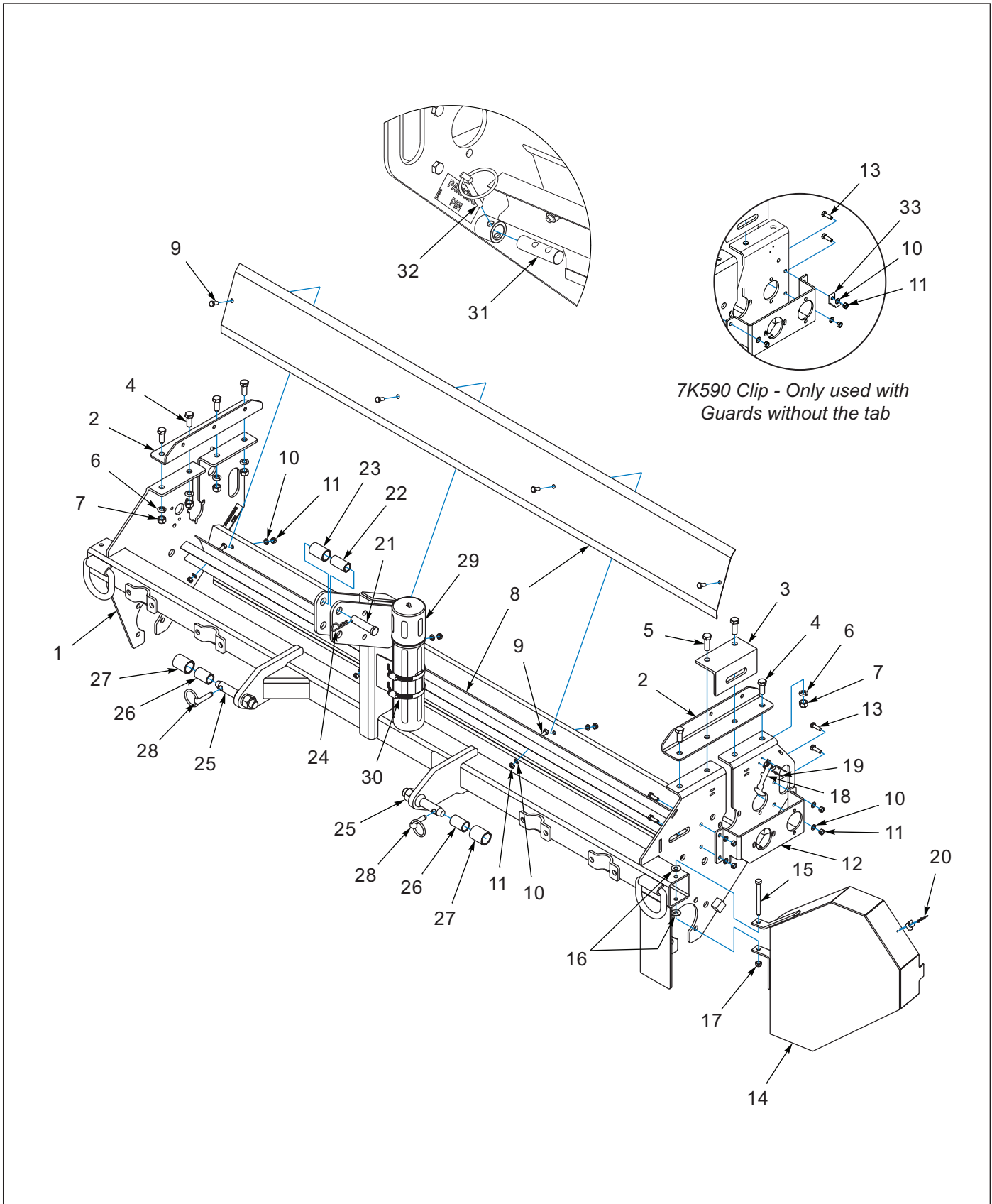


Figure 1-2: Frame, 3-PT Hitch, Deflectors, Seed Box Mounts, Guard

Frame, 3-PT Hitch, Deflectors, Seed Box Mounts, Guard

ITEM	PART NUMBER	DESCRIPTION	QTY
1	8K482	FRAME WLDMT LSP5	1
1	6K011	FRAME - SLP206/LSP6 WLDMT	1
2	7K325	MOUNTING BRACKET	2
3	6K023	ANGLE	1
4	1-654-010055-02	SCREW 1/2-13UNC X 1-1/4 CP, GR5	6
5	1-654-010055-03	SCREW, HEXCAP, 1/2-13UNC X 1-1/2	2
6	1-861-010034-13	WASHER, LKG HLCL SPR, 1/2	8
7	1-512-010007-09	NUT, HEX 1/2-13 ZP	8
8	6K019	DEFLECTOR - SLP206/306/SLP6	2
8	8K485	LSP5 DEFLECTOR	2
9	1-654-010049-03	SCREW, 5/16-18 NC X 3/4"	8
10	1-861-010034-10	LOCK WASHER, 5/16"	12
11	1-512-010007-06	NUT, 5/16-18 NC	12
12	6K024	BRACKET	1
13	1-654-010049-05	SCREW, 5/16-18 NC X 1"	4
14	6K056	GUARD	1
15	108295	SCREW, 3/8-16 NC X 4", GR5	1
16	1-861-010032-11	WASHER, FLT 3/8 STD, ZP	2
17	1-512-010005-05	NUT, SELF-LOCKING, 3/8-16 NC	1
18	6K057	RUBBER LATCH, 3" T-HANDLE	1
19	51365-4	BLIND RIVET, 1/8" DIA. X 3/8" GRIP	2
20	107-0814	BLIND RIVET, 1/8" DIA. X 1/8" GRIP	2
21	7D642	CLEVIS PIN (3/4 X 3)	1
22	7K229	SLEEVE - 1 OD X 2 LG	1
23	5D157	SLEEVE (1.25 OD X 1-15/16)	1
24	6J448	HAIR PIN COTTER	1
25	6K010	HITCH PIN W/ NUT & LOCK WASHER	2
26	3P258	TUBE, RD .891 X 1.125X1.75	2
27	3P259	TUBE, RD 1.141 X 1.438 X 1.75	2
28	7631	QUICK PIN	2
29	1-116-010019	CANISTER, MANUAL STORAGE	1
30	105-0093	HOSE CLAMP	2
31	9J457	PIN (5/8 X 2-5/16)	2
32	1-557-010327	KLIK PIN	2
33	7K590	CLIP (USED W/GUARD W/O TAB)	1

Skid Steer Frame, Quick Attach, Deflectors, Seed Box Mounts, Guard

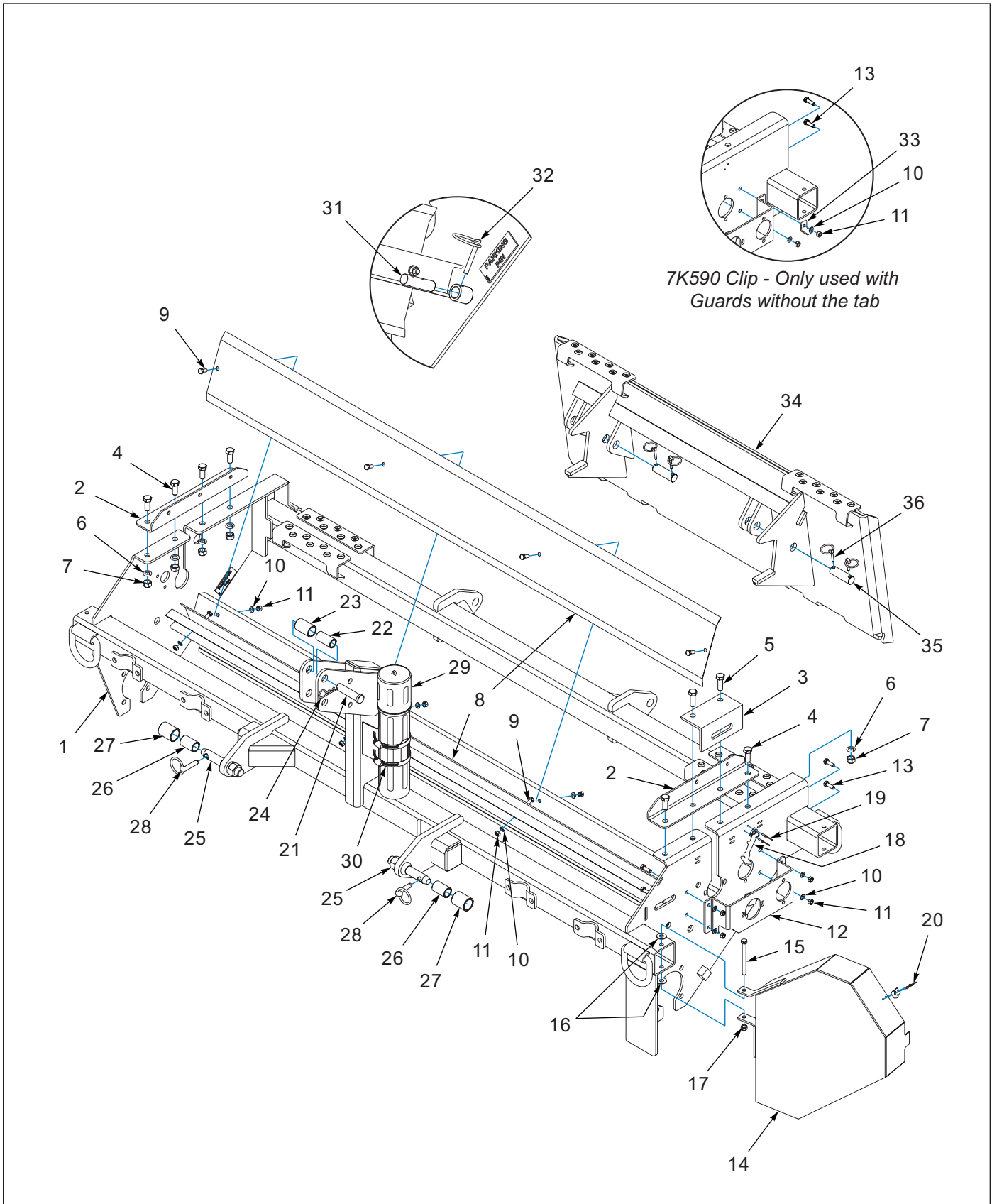


Figure 1-3: Skid Steer Frame, Quick Attach, Deflectors, Seed Box Mounts, Guard

Skid Steer Frame, Quick Attach, Deflectors, Seed Box Mounts, Guards

ITEM	PART NUMBER	DESCRIPTION	QTY
1	9K404	LSS6 FRAME	1
2	7K325	MOUNTING BRACKET	2
3	6K023	ANGLE	1
4	1-654-010055-02	SCREW 1/2-13UNC X 1-1/4 CP, GR5	6
5	1-654-010055-03	SCREW, HEXCAP, 1/2-13UNC X 1-1/2	2
6	1-861-010034-13	WASHER, LKG HLCL SPR, 1/2	8
7	1-512-010007-09	NUT, HEX 1/2-13 ZP	8
8	6K019	DEFLECTOR - SLP206/306/LSP6	2
9	1-654-010049-03	SCREW, 5/16-18 X 3/4	8
10	1-861-010034-10	LOCKWASHER, 5/16	12
11	1-512-010007-06	NUT, 5/16-18 NC	12
12	6K024	BRACKET	1
13	1-654-010049-05	SCREW, 5/16-18 X 1	4
14	6K056	GUARD	1
15	108295	SCREW, 3/8-16 X 4, GR5	1
16	1-861-010032-11	WASHER, FLT 3/8 STD, ZP	2
17	1-512-010005-05	NUT, SELF-LOCKING, 3/8-16	1
18	6K057	RUBBER LATCH, 3" T-HANDLE	1
19	51365-4	BLIND RIVET, 1/8" DIA. X 3/8" GRIP	2
20	107-0814	BLIND RIVET, 1/8" DIA. X 1/8" GRIP	2
21	7D642	CLEVIS PIN (3/4 X 3)	1
22	7K229	SLEEVE - 1 OD X 2 LG	1
23	5D157	SLEEVE (1.25 OD X 1-15/16)	1
24	6J448	HAIR PIN COTTER	1
25	6K010	HITCH PIN W/ NUT & LOCK WASHER	2
26	3P258	TUBE, RD .891 X 1.125X1.75	2
27	3P259	TUBE, RD 1.141 X 1.438 X 1.75	2
28	7631	QUICK PIN	2
29	1-116-010019	CANISTER, MANUAL STORAGE	1
30	105-0093	HOSE CLAMP	2
31	9J457	PIN (5/8 X 2-5/16)	2
32	1-557-010327	KLIK PIN	2
33	7K590	CLIP (USED W/GUARD W/O TAB)	1
34	9K098	QUICK ATTACH FRAME WLD	1
35	9K100	PIN (7/8 X 2-3/4)	2
36	5D129	KILK PIN	4

Coil Tine Harrow, 5FT

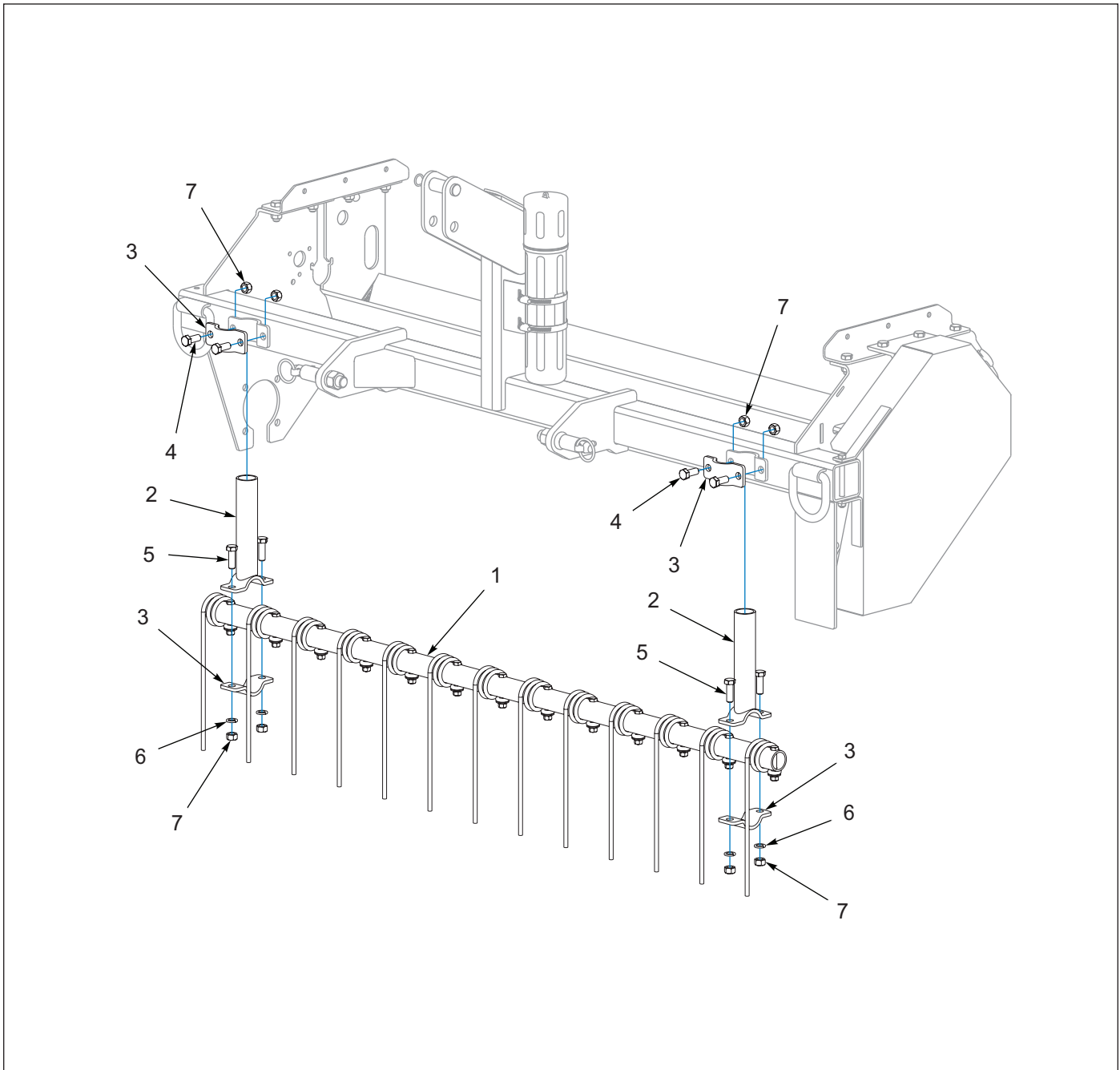


Figure 1-4: Coil Tine Harrow, 5FT

Coil Tine Harrow, 5FT

ITEM	PART NUMBER	DESCRIPTION	QTY
1	8K600	PIPE & TINE ASSY 5' (SEE PAGE 1-10)	1
2	6K026	TINE SUPPORT	2
3	2K656	CLAMP, BLACK	4
4	1-654-010055-02	SCREW 1/2-13UNCX1-1/4 CP GR5	4
5	1-654-010055-03	SCREW,HEX CAP,1/2-13UNCX1-1/2	4
6	1-861-010034-13	WASHER, LKG HLCL SPR, 1/2	4
7	1-512-010007-09	NUT, HEX 1/2-13 GR2 ZP	8

Coil Tine Harrow, 6FT (Full Width)

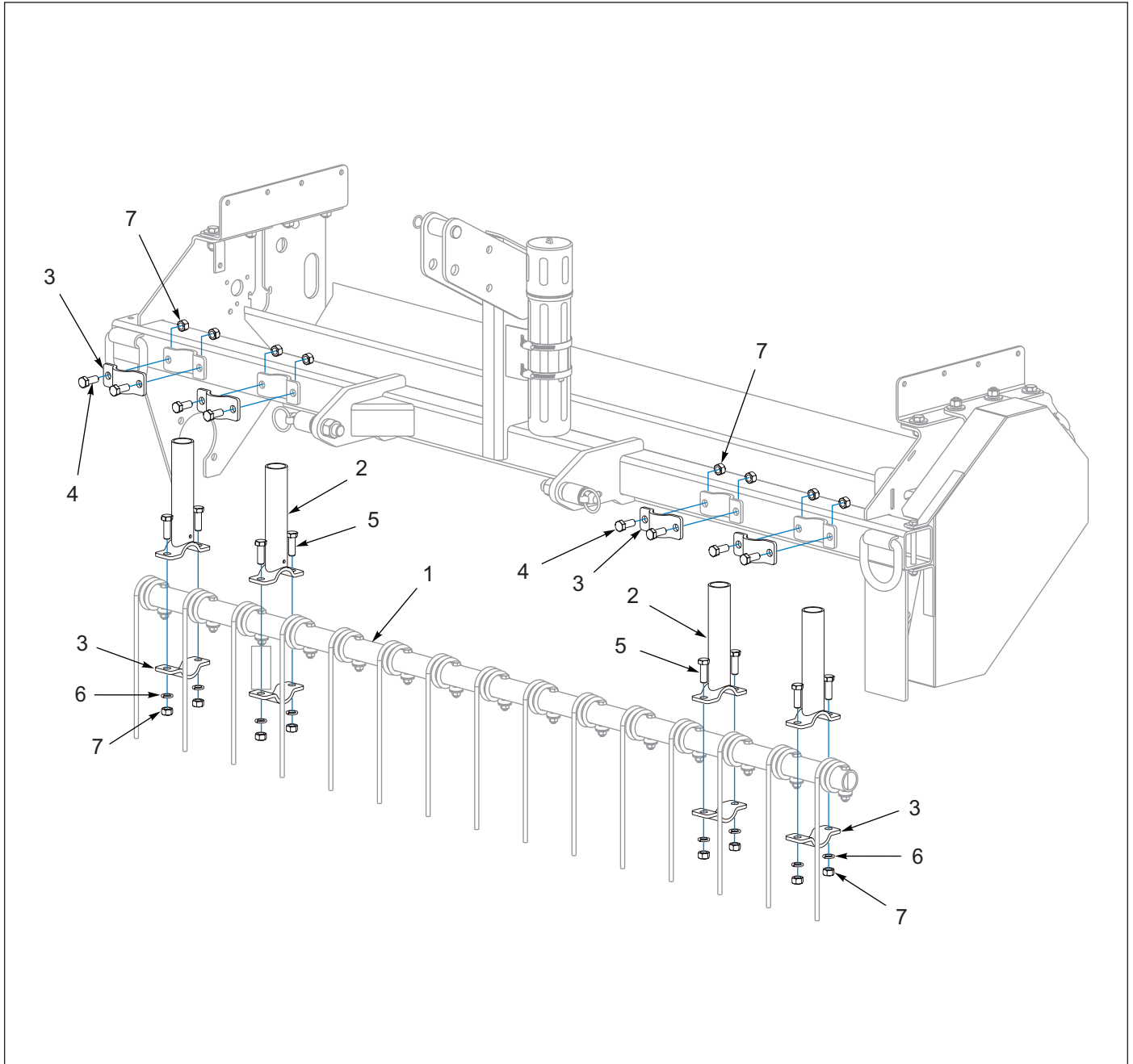


Figure 1-5: Coil Tine Harrow, 6FT (Full Width)

Coil Tine Harrow, 6FT (Full Width)

ITEM	PART NUMBER	DESCRIPTION	QTY
1	253377	6' PIPE & TINE ASSY (SEE PAGE 1-10)	2
2	6K026	TINE SUPPORT	4
3	2K656	CLAMP, BLACK	8
4	1-654-010055-02	SCREW 1/2-13UNCX1-1/4 CP GR5	8
5	1-654-010055-03	SCREW,HEX CAP,1/2-13UNCX1-1/2	8
6	1-861-010034-13	WASHER, LKG HLCL SPR, 1/2	8
7	1-512-010007-09	NUT, HEX 1/2-13 GR2 ZP	16

Coil Tine Harrow, 6FT (Sections)

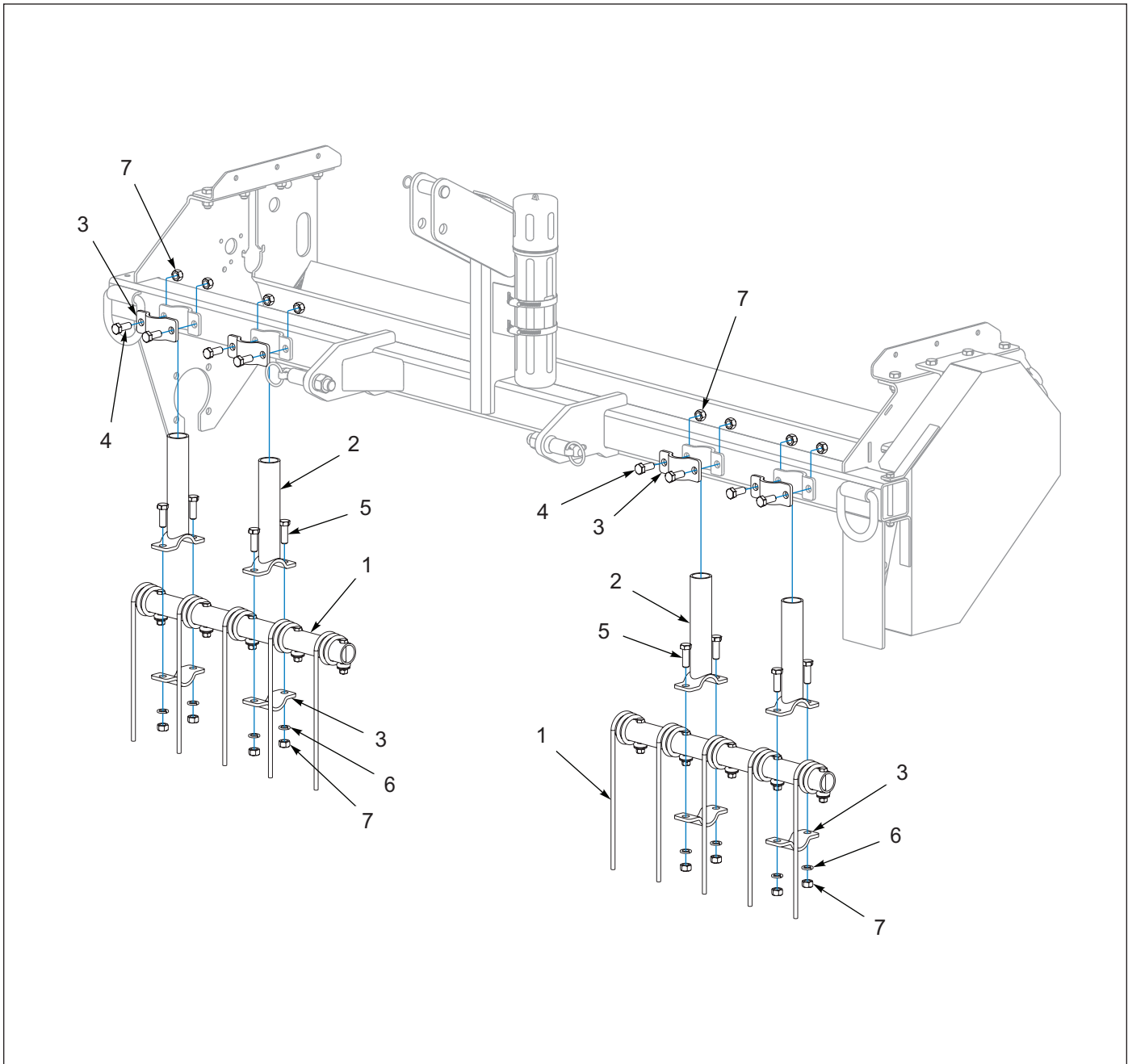


Figure 1-6: Coil Tine Harrow, 6FT (Sections)

Coil Tine Harrow, 6FT (Sections)

ITEM	PART NUMBER	DESCRIPTION	QTY
1	6K027	6' PIPE & TINE ASM (SEE PAGE 1-11)	2
2	6K026	TINE SUPPORT	4
3	2K656	CLAMP, BLACK	8
4	1-654-010055-02	SCREW 1/2-13UNCX1-1/4 CP GR5	8
5	1-654-010055-03	SCREW,HEX CAP,1/2-13UNCX1-1/2	8
6	1-861-010034-13	WASHER, LKG HLCL SPR, 1/2	8
7	1-512-010007-09	NUT, HEX 1/2-13 GR2 ZP	16

Coil Tine Harrow, 62-1/2"

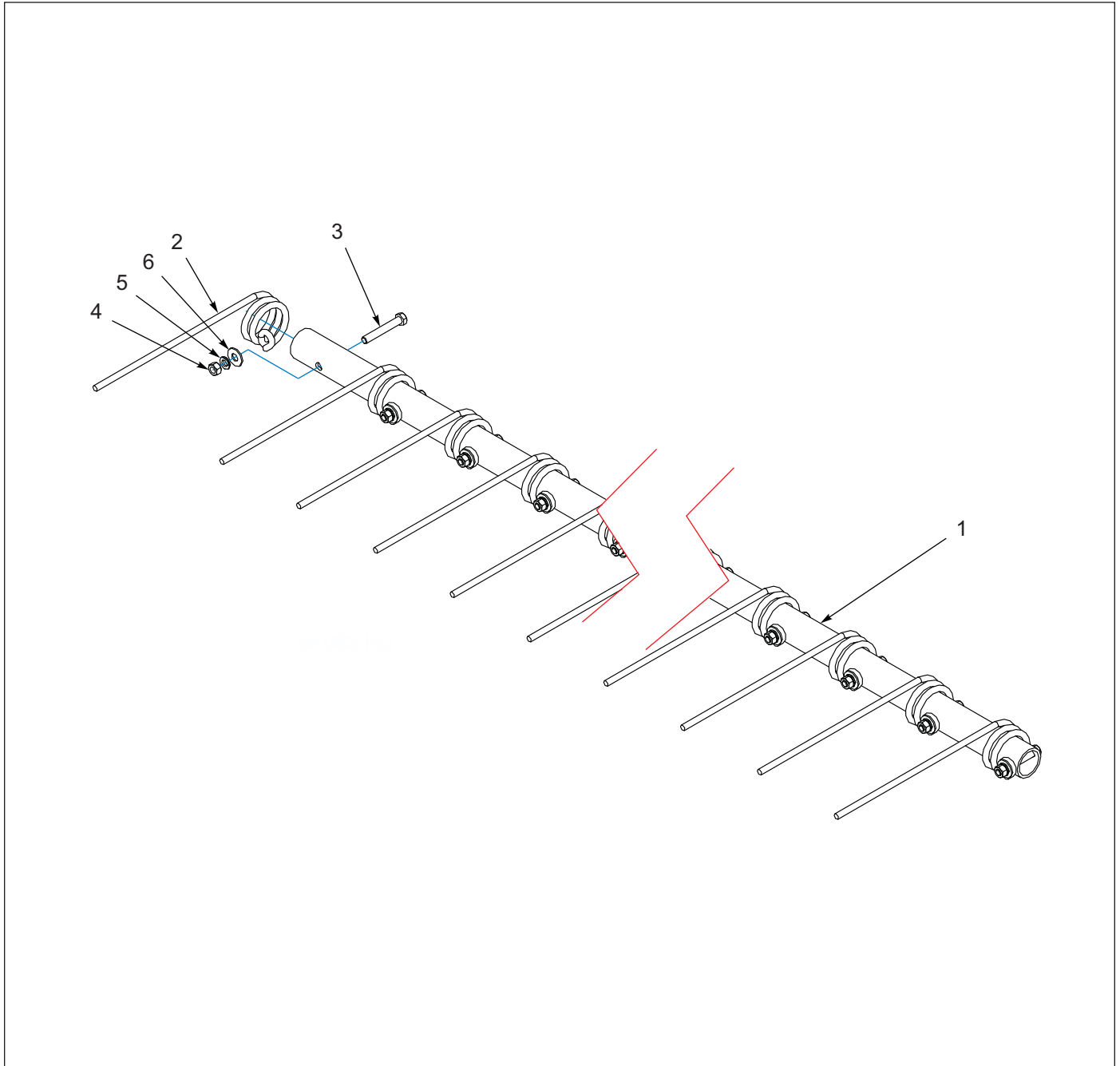


Figure 1-7: Coil Tine Harrow, 62-1/2"

Coil Tine Harrow, 62-1/2"

ITEM	PART NUMBER	DESCRIPTION	QTY
	8K600	5' PIPE & TINE ASM	1
1	8K606	PIPE (62-1/2")	1
2	5J603	COIL TINE	13
3	1-654-010051-11	SCREW, 3/8-16 X 2-1/2, GR5, ZP	13
4	1-861-010032-11	FLAT WASHER, 3/8 ZP	13
5	1-861-010034-11	LOCK WASHER, 3/8"	13
6	1-512-010007-07	NUT, 3/8-16 NC	13

Coil Tine Harrow, 75-1/8"

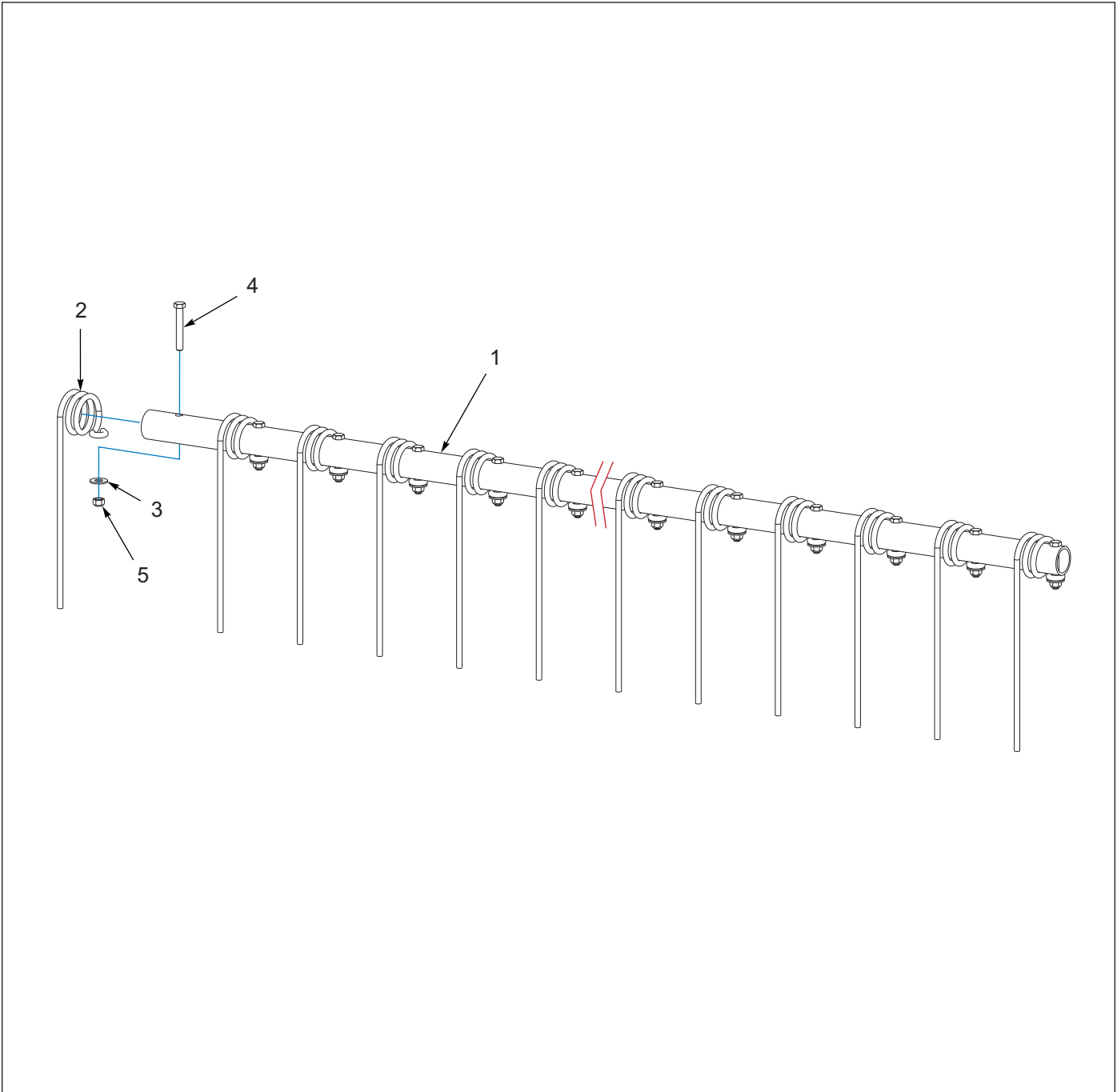


Figure 1-8: Coil Tine Harrow, 75-1/8"

Coil Tine Harrow, 75-1/8"

ITEM	PART NUMBER	DESCRIPTION	QTY
	253377	6' PIPE & TINE ASSY	1
1	253378	TINE PIPE, 75-1/8	1
2	5J603	COIL TINE	15
3	1-654-010051-11	SCREW, 3/8-16 X 2-1/2, GR5, ZP	15
4	1-861-010032-11	FLAT WASHER, 3/8 ZP	15
5	1-512-010005-05	NUT, HEX, SLFLKG GRB 3/8-16	15

Coil Tine Harrow, 22-1/2"

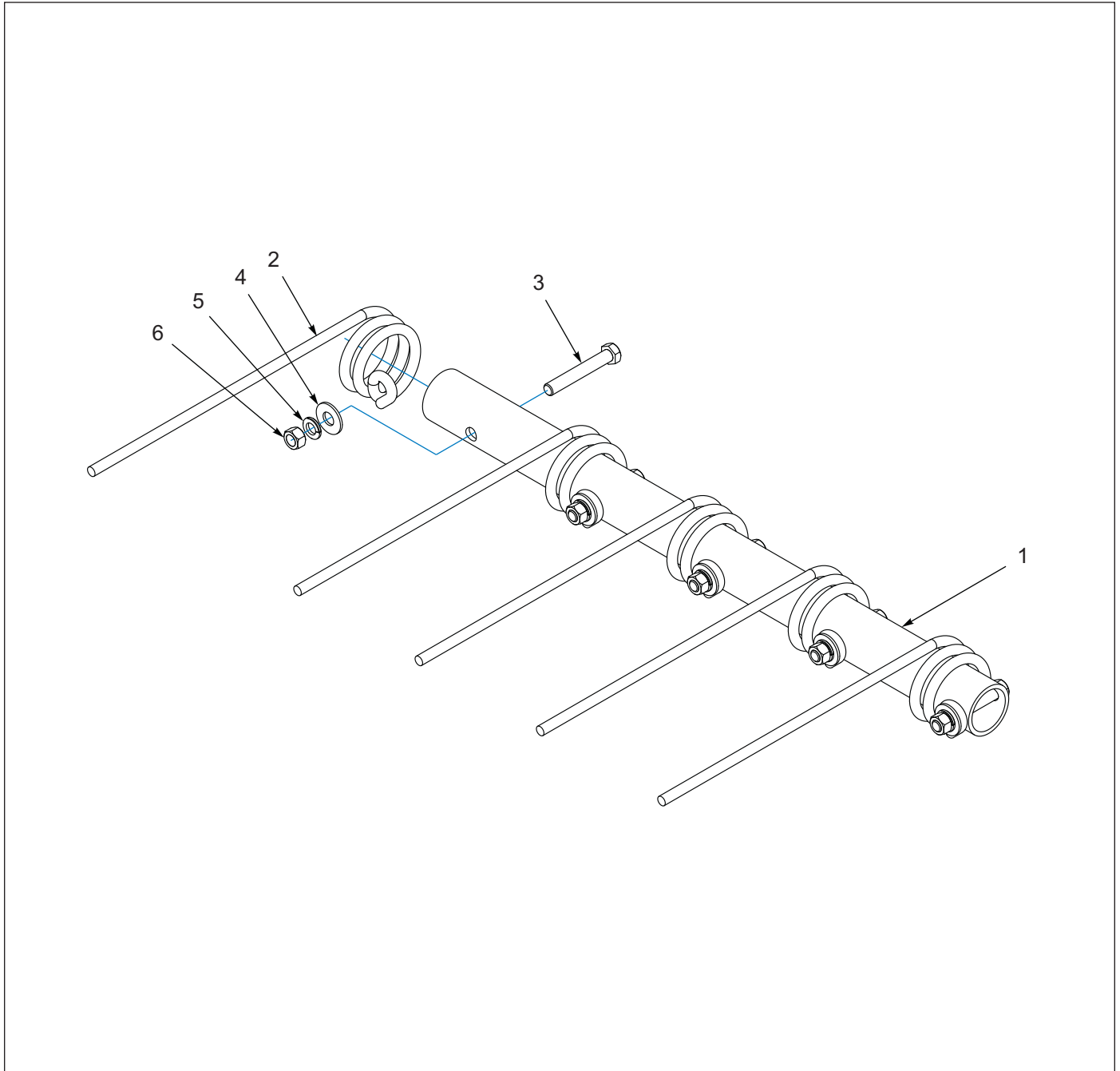


Figure 1-9: Coil Tine Harrow, 22-1/2"

Coil Tine Harrow, 22-1/2"

ITEM	PART NUMBER	DESCRIPTION	QTY
	6K027	6' PIPE & TINE ASM	1
1	6K041	PIPE (22-1/2")	1
2	5J603	COIL TINE	5
3	1-654-010051-11	SCREW, HX CP 3/8-16 X 2-1/2 GR5, ZP	5
4	1-861-010032-11	WASHER, FLAT 3/8 W ZP/CD	5
5	1-861-010034-11	WASHER, LKG HLCL SPR, 3/8	5
6	1-512-010007-07	NUT, HEX 3/8-16 ZP	5

Front and Rear Roller Assemblies

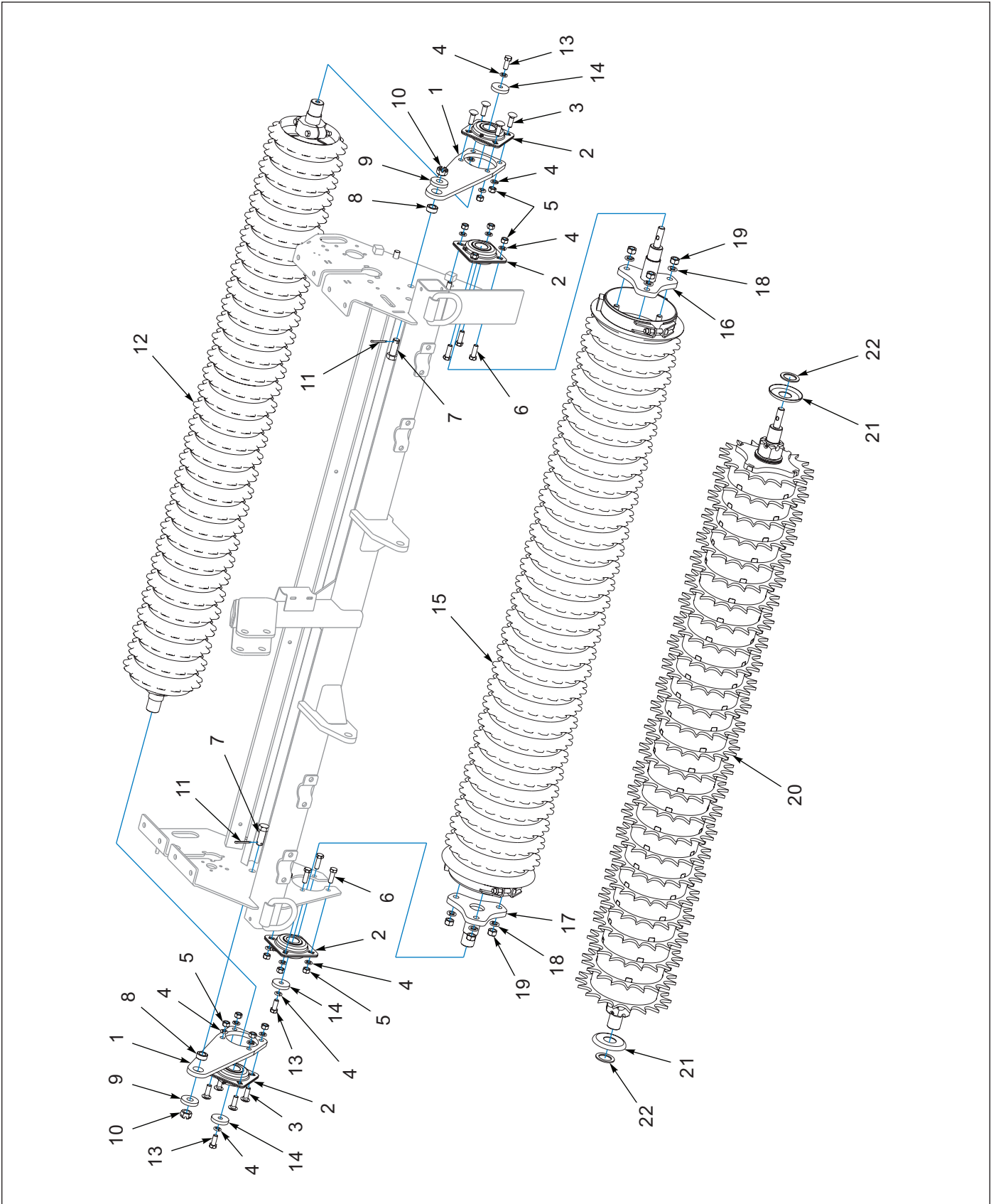


Figure 1-10: Front and Rear Roller Assemblies

Front and Rear Roller Assemblies

ITEM	PART NUMBER	DESCRIPTION	QTY
	6K017	REAR ARM ASSEMBLY (INCLUDES ITEMS 1-5)	2
1	6K018	REAR ARM	2
2	1-065-010011	BEARING FLANGED 1-1/2ID	4
3	1-654-010070-03	SCREW RDHD SQNK 1/2-13 X 1-1/2, GR5, ZP	8
4	1-861-010034-13	WASHER, LKG HLCL SPR, 1/2	19
5	1-512-010007-09	NUT, HEX 1/2-13 GR2 ZP	16
6	1-654-010055-03	SCREW,HEX CAP,1/2-13UNCX1-1/2	8
7	193219	BOLT, DRILLED,3/4-16X2	2
8	9J399	ROLLER ARM BUSHING	2
9	6K158	WASHER - 3/8" THICK	2
10	193218	NUT,HX SLOT 3/4-16 GR 5,ZP	2
11	1-557-010362-51	PIN, COTTER 3/16X1-1/2	2
12	6K015	REAR ROLLER ASSY - 6' (SEE PAGE 1-17)	1
12	8K491	5' REAR ROLLER ASSY (SEE PAGE 1-17)	1
12	6K067	REAR ROLLER, W/SPRKT, 6' (SEE PAGE 1-18)	1
12	8K639	5' REAR ROLLER W/SPROCKETS (SEE PAGE 1-18)	1
13	104665	SCREW,HX CP 1/2-20X1-1/4 GR8	3
14	9J338	WASHER (1/2 X 2 X 3/8)	3
15	6K012	FRONT ROLLER ASSY - 6' (SEE PAGE 1-15)	1
15	8K488	5' FRONT ROLLER ASSY (SEE PAGE 1-15)	1
16	6K013	STUB SHAFT WLDMT (STUB SHAFT, LEFT)	1
17	2K475	RH STUB SHAFT WLDMT BLACK (STUB SHAFT, RIGHT)	1
18	1-861-010034-15	WASHER,LKG,HLCL SPR,5/8	6
19	1-512-010007-11	NUT, HEX 5/8-11 GR2 ZP	6
20	234190	SPIKE ROLLER, LSP6 ASSY (FRONT) (SEE PAGE 1-16)	1
21	219117	SHIELD,1-1/2" BEARING	2
22	226820	WASHER,1.547X2.25X11GA SS	2

Rear Heavy Roller Assembly - Optional (6FT Only)

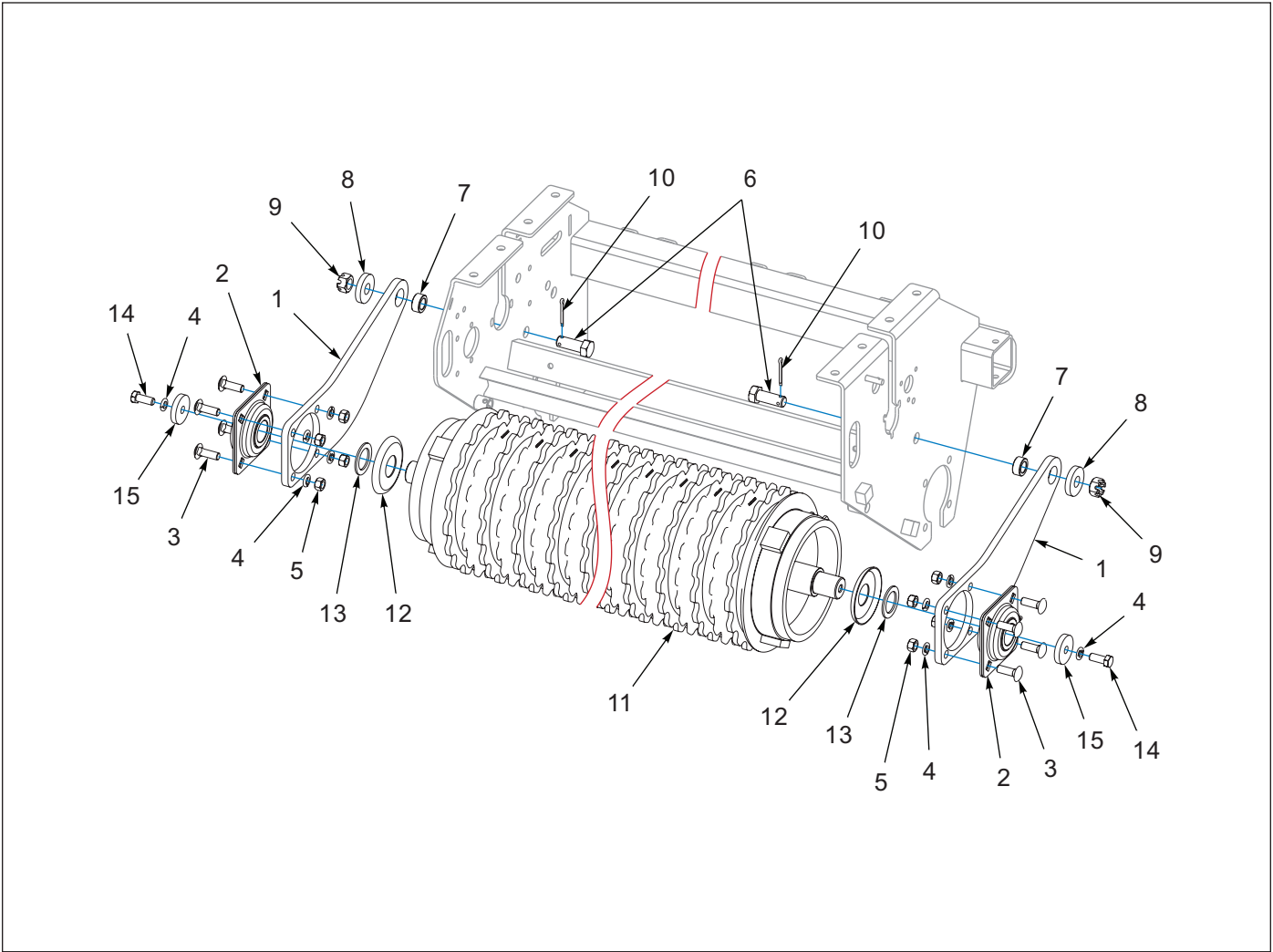


Figure 1-11: Rear Heavy Roller Assembly - Optional (6FT Only)

Rear Heavy Roller Assembly - Optional (6FT Only)

ITEM	PART NUMBER	DESCRIPTION	QTY
1	219217	REAR ARM	2
2	1-065-010011	BEARING FLANGED 1-1/2ID	2
3	1-654-010070-03	SCREW RDHD SQNK1/2-13X1-1/2	8
4	1-861-010034-13	WASHER, LKG HLCL SPR, 1/2	10
5	1-512-010007-09	NUT, HEX 1/2-13 GR2 ZP	8
6	193219	BOLT, DRILLED,3/4-16X2	2
7	9J399	ROLLER ARM BUSHING	2
8	6K158	WASHER - 3/8" THICK	2
9	193218	NUT,HX SLOT 3/4-16 GR 5,ZP	2
10	1-557-010362-51	PIN, COTTER 3/16X1-1/2	2
11	219211	REAR ROLLER ASM, 6FT HEAVY	1
12	219117	SHIELD,1-1/2" BEARING	2
13	226820	WASHER,1.547X2.25X11GA SS	2
14	104665	SCREW,HX CP 1/2-20X1-1/4 GR8	3
15	9J338	WASHER (1/2 X 2-1/16 X 3/8, ZP)	3

Front Roller Assembly

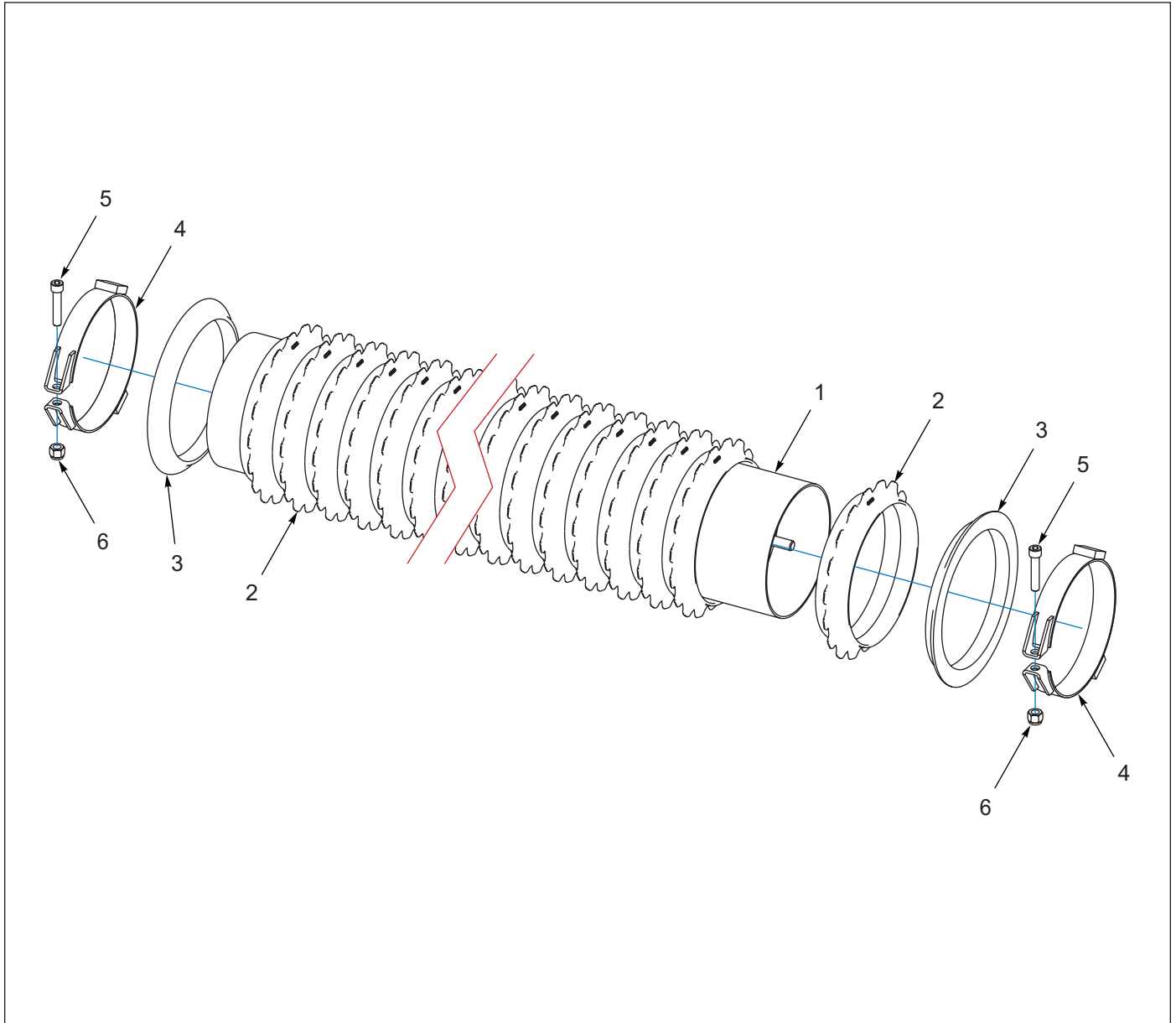


Figure 1-12: Front Roller Assembly

Front Roller Assembly

ITEM	PART NUMBER	DESCRIPTION	QTY	
			5'	6'
		MODELS	5'	6'
	8K488	FRONT ROLLER ASSEMBLY, 5'	1	--
	6K012	FRONT ROLLER ASSEMBLY, 6'	--	1
1	8K489	5' ROLLER PIPE	1	--
1	6K014	PIPE & PLATE ASSEMBLY	--	1
2	4C689	CASTING, REAR SAND WHEEL	26	31
3	2C524	CASTING HALF WHEEL	2	2
4	2C801	CLAMP BAND & BOLT ASSY (INCL. ITEMS 5 & 6)	2	2
5	118577	SCREW HX SKT HD1/2-13X2-1/2ZP	2	2
6	2C112	NUT,HX LOCK1/2-13NC HVY ELSTC	2	2

Front Spike Roller Assembly (6FT Only)

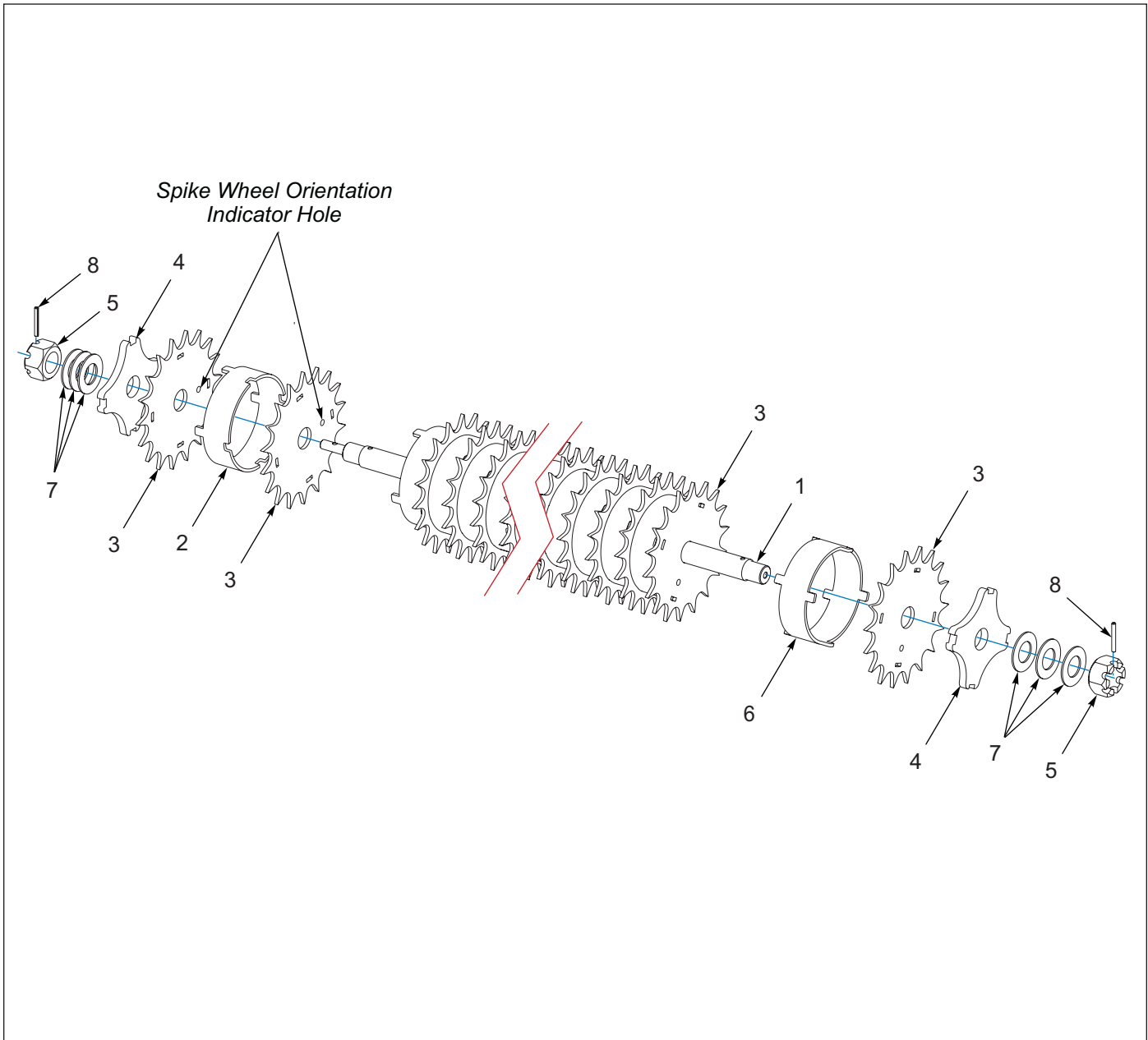


Figure 1-13: Front Spike Roller Assembly (6FT Only)

Front Spike Roller Assembly (6FT Only)

ITEM	PART NUMBER	DESCRIPTION	QTY
	234190	SPIKE ROLLER, LSP6 ASSY	1
1	234191	SHAFT, ROLLER LSP6	1
2	219122	SPACER, SPIKE	24
3	219120	SPIKE WHEEL, 11-1/2"	26
4	219119	END PLATE	2
5	23085	NUT HEX SLOTTED 1 3/4-5	2
6	219121	SPACER, END SPIKE	1
7	4K578	MACHINERY BUSHING	6
8	9J206	5/16X2-1/2 ROLL PIN	2

Rear Roller Assembly

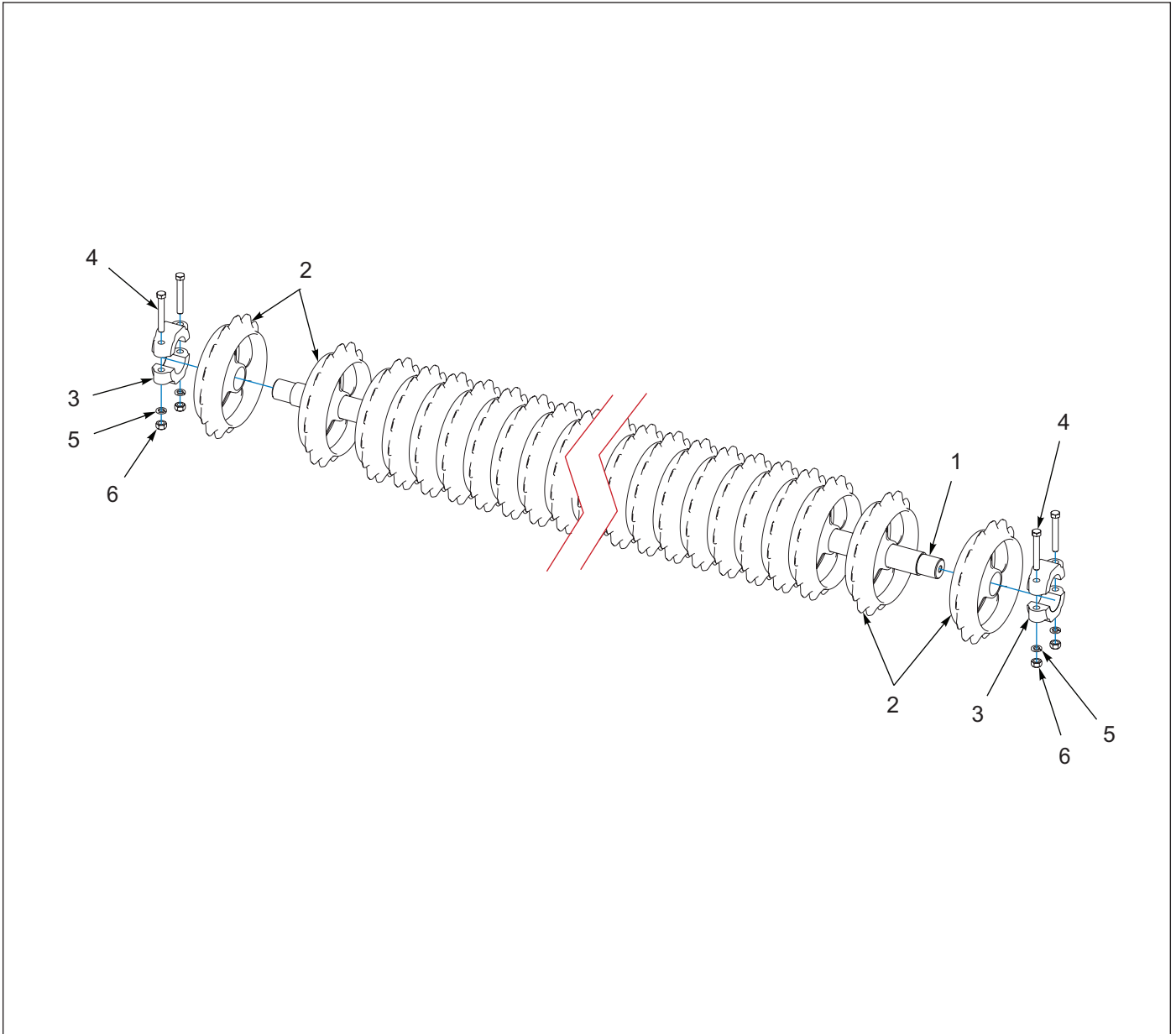


Figure 1-14: Rear Roller Assembly

Rear Roller Assembly

ITEM	PART NUMBER	DESCRIPTION	QTY	
			5'	6'
		MODELS	5'	6'
	8K491	5' REAR ROLLER ASSY	1	--
	6K015	REAR ROLLER ASSY - 6'	--	1
1	8K492	SHAFT, REAR ROLLER 5'	1	--
1	6K016	SHAFT (6FT)	--	1
2	5C284	CASTING, REAR WHEEL	27	32
3	4C145	CASTING AXLE CLAMP, REAR	4	4
4	7C783	CAPSCREW, 7/16-14 X 3	4	4
5	1-861-010034-12	WASHER, LOCKING HLC SPG 7/16	4	4
6	1-512-010007-08	NUT, HEX 7/16-14 GR2 ZP	4	4

Rear Roller w/ Sprocket Assembly

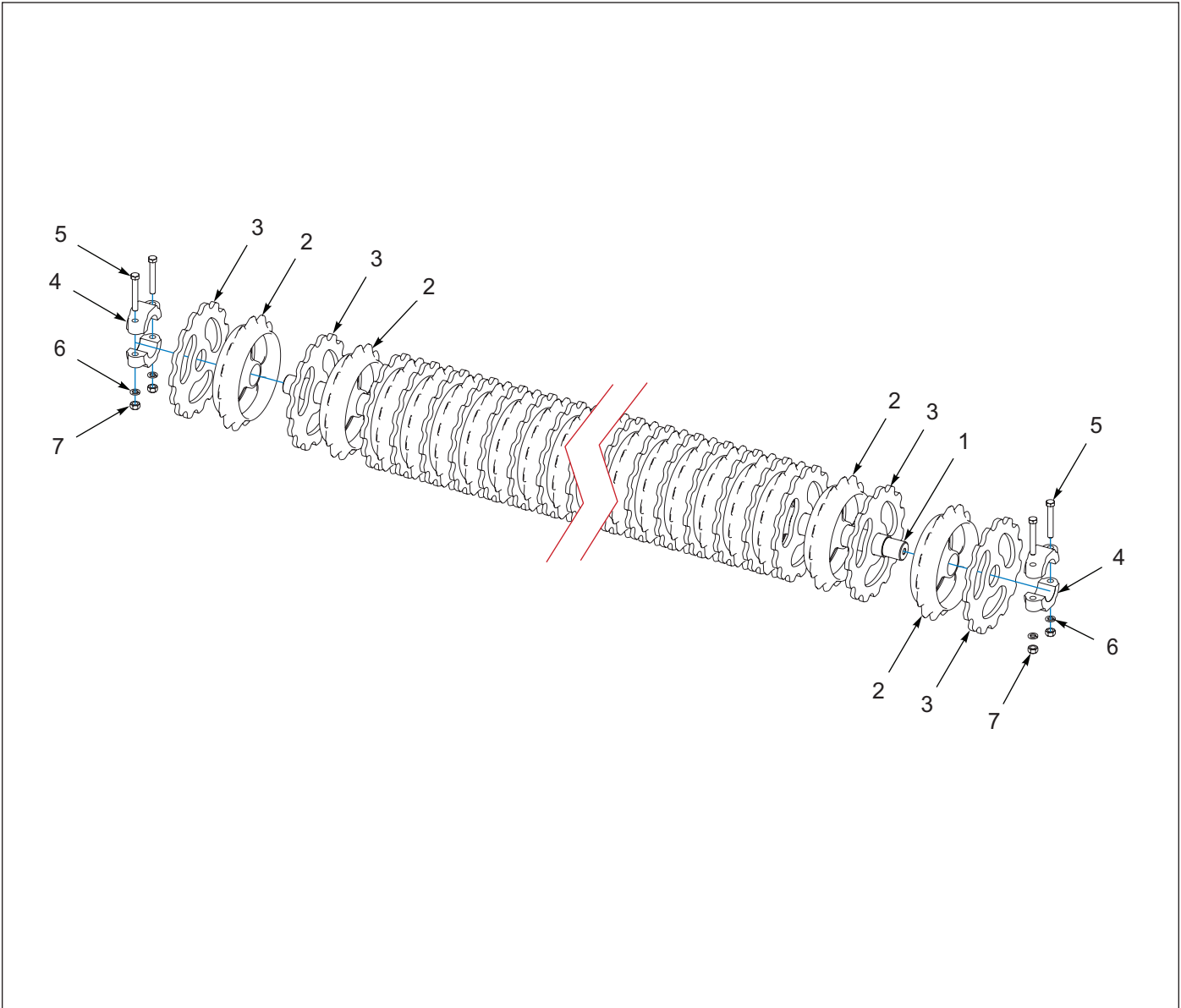


Figure 1-15: Rear Roller w/ Sprocket Assembly

Rear Roller w/ Sprocket Assembly

ITEM	PART NUMBER	DESCRIPTION	QTY	
			5'	6'
		MODELS	5'	6'
	8K639	5' REAR ROLLER W/SPROCKETS	1	--
	6K067	REAR ROLLER, W/SPRKT, 6'	--	1
1	8K492	SHAFT, REAR ROLLER 5'	1	--
1	6K016	SHAFT (6FT)	--	1
2	5C284	REAR WHEEL (7000547)	23	27
3	6K066	SPROCKET	24	28
4	4C145	AXLE CLAMP	4	4
5	7C783	CAPSCREW, 7/16-14 X 3	4	4
6	1-861-010034-12	WASHER LOCKING HLC SPG 7/16	4	4
7	1-512-010007-08	NUT HEX 7/16-14 ZP	4	4

Rear Heavy Roller Assembly (6FT Only)

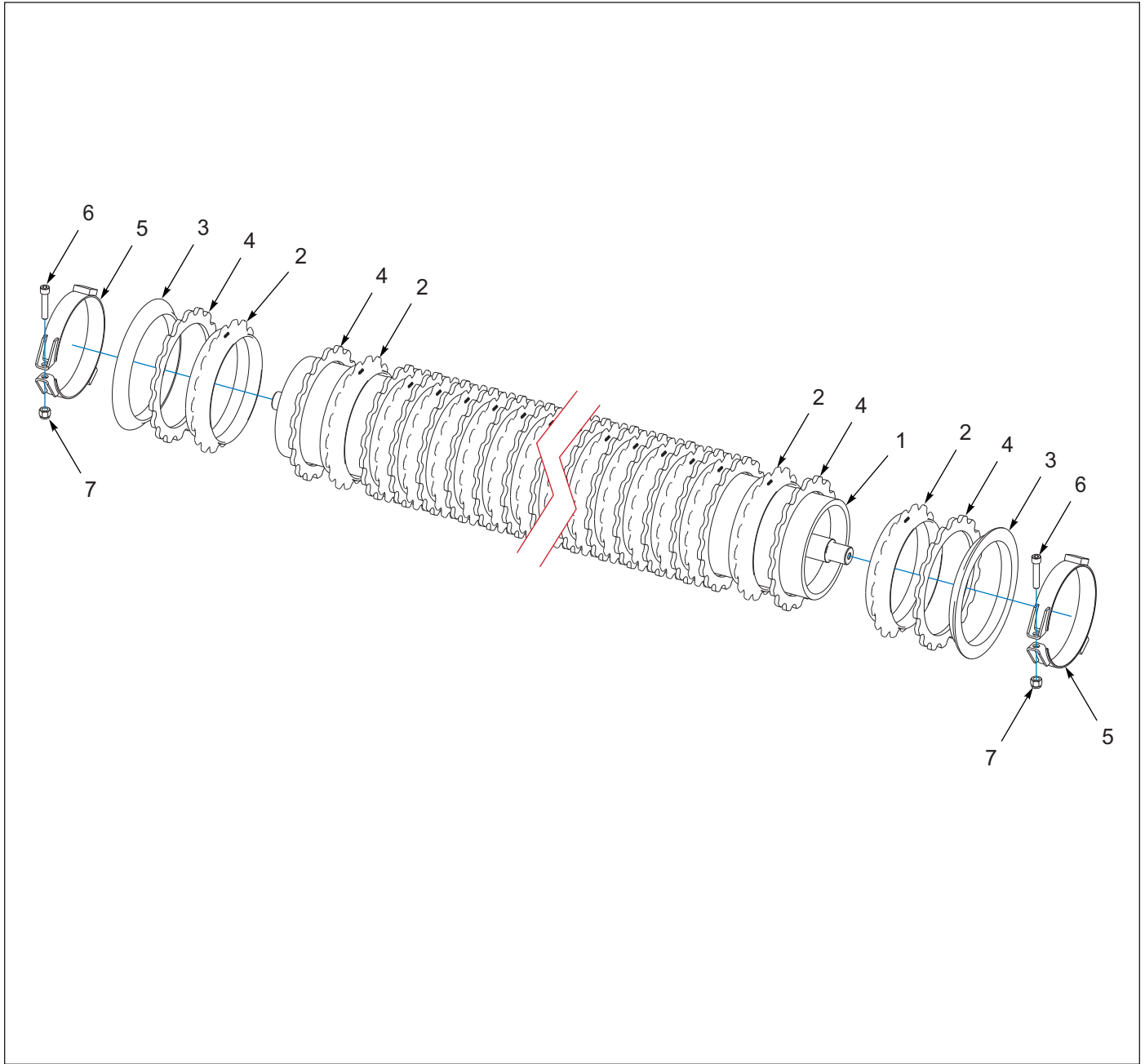


Figure 1-16: Rear Heavy Roller Assembly (6FT Only)

Rear Heavy Roller Assembly (6FT Only)

ITEM	PART NUMBER	DESCRIPTION	QTY
	219211	REAR ROLLER ASM, 6FT HEAVY	1
1	219209	AXLE, HEAVY ROLLER WLDMT	1
2	4C689	REAR SAND WHEEL (7000488)	26
3	2C524	HALF WHEEL	2
4	4K913	TURFMAKER WHEEL SPACER	27
5	2C801	CLAMP BAND & BOLT ASSY (INCL. ITEMS 6 & 7)	2
6	118577	SCREW HX SKT HD1/2-13X2-1/2ZP	2
7	2C112	NUT,HX LOCK1/2-13NC HVY ELSTC	2

SMV Sign

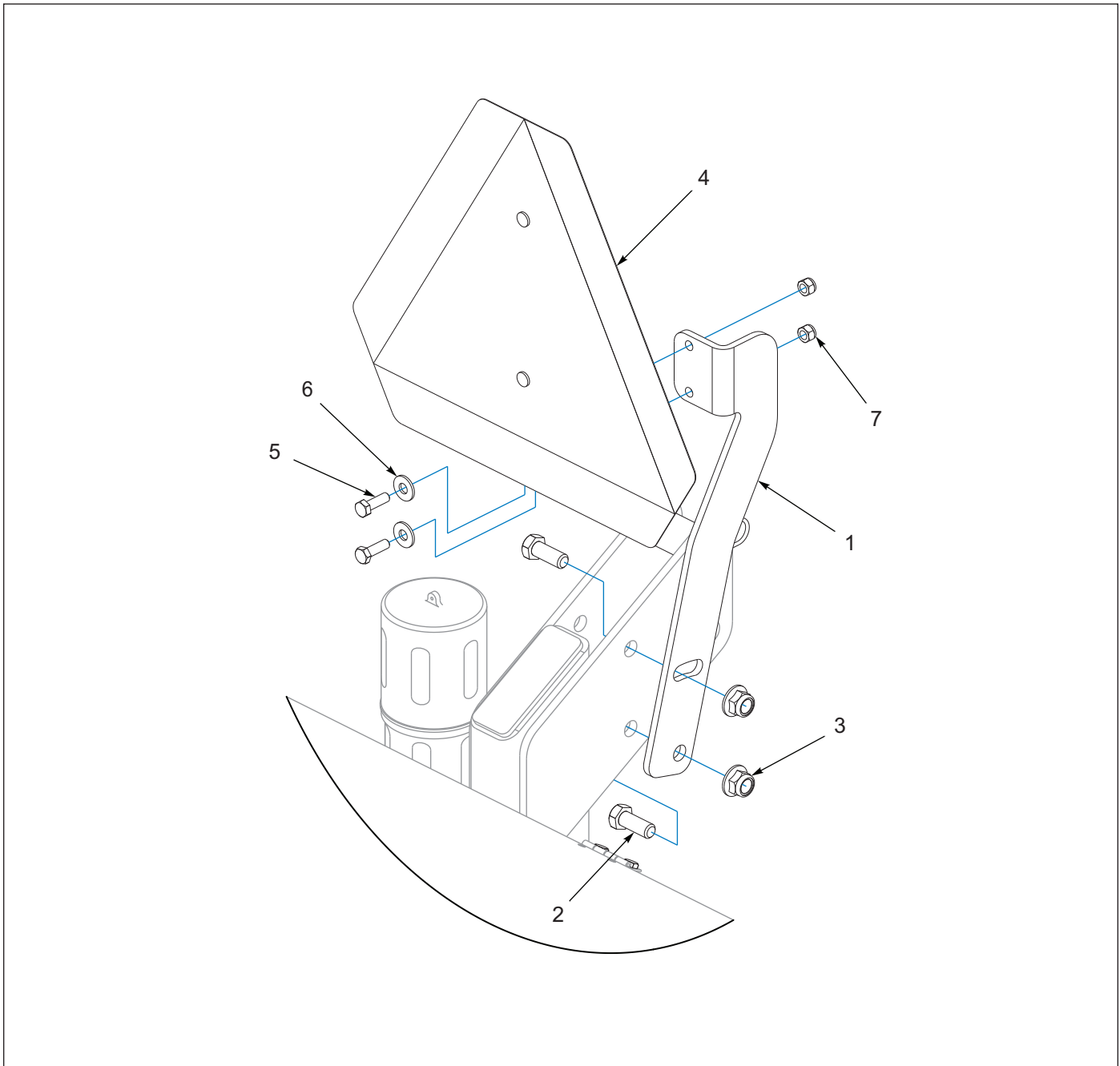


Figure 1-17: SMV Sign

SMV Sign

ITEM	PART NUMBER	DESCRIPTION	QTY
1	247772	MOUNT,SMV	1
2	1-654-010055-02	SCREW 1/2-13UNCX1-1/4 CP GR5	2
3	2P253	NUT, FLANGE NY-LOK 1/2-13	2
4	2P151	SMV W/BRACKET	1
5	1-654-010049-05	SCREW HX CP 5/16-18UNCX1 GR5	2
6	1-861-010032-09	WASHER, FLAT 5/16 W ZP/CD	2
7	104032	NUT,HX SLF-LKG W/MYL 5/16-18	2

Transmission Assembly

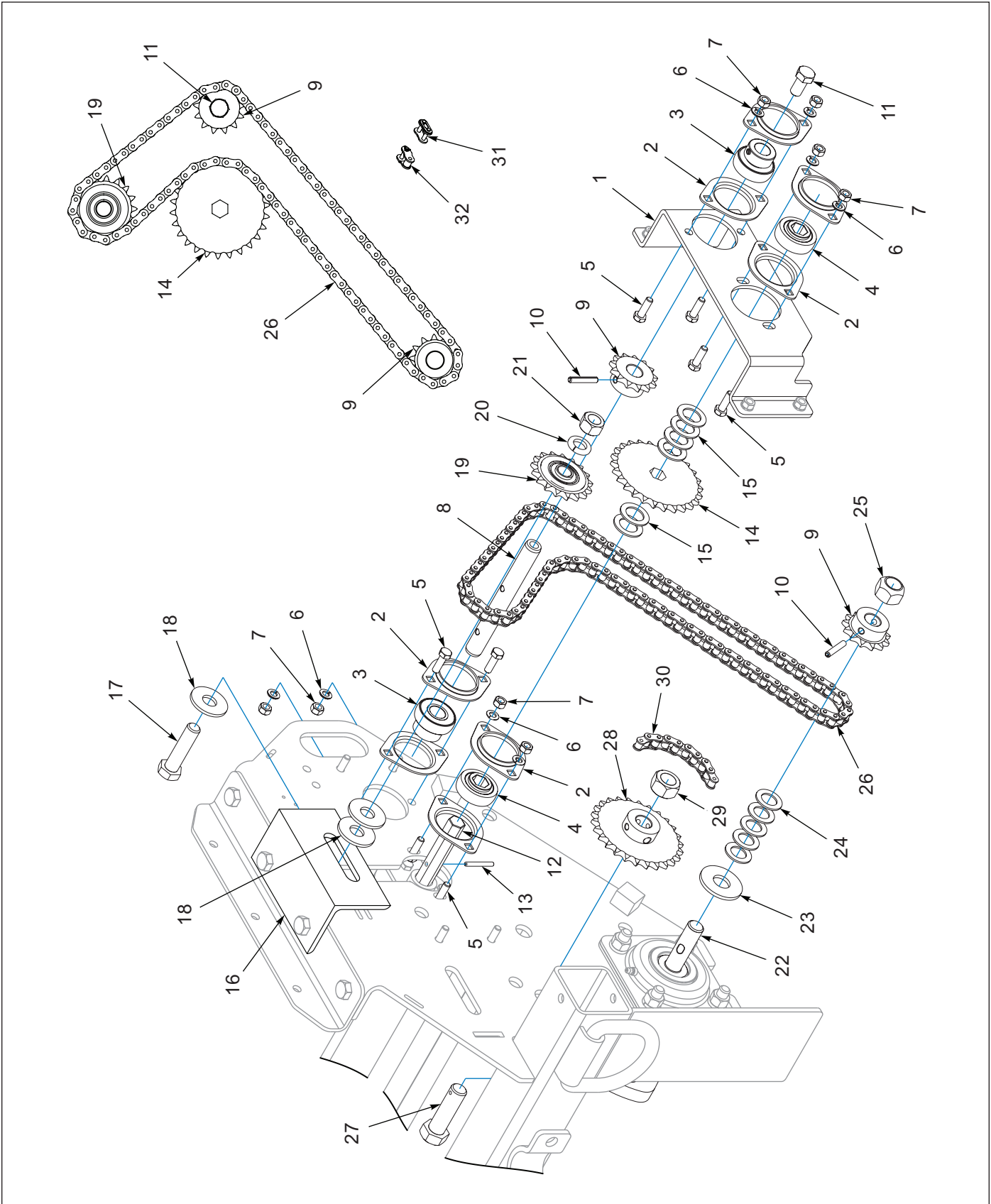


Figure 1-18: Transmission Assembly

Transmission Assembly

ITEM	PART NUMBER	DESCRIPTION	QTY
1	6K024	BRACKET	1
2	2K503	FLANGETTE HALF	8
3	1D598	BEARING AND COLLAR, 3/4	2
4	5K100	BEARING 11/16 HEX	2
5	1-654-010049-05	SCREW, HX CP 5/16-18 X 1, GR5, ZP	8
6	1-861-010034-10	WASHER, LOCK 5/16, ZP	8
7	1-512-010007-06	NUT, HEX 5/16-18, ZP	8
8	6K378	SHAFT (3/4 X 6-5/8)	1
9	9D772	SPROCKET, #40B 13 X 3/4 BORE	2
10	1-647-010004217	SPRING PIN, SLOTTED 1/4 X 1-1/2	2
11	5C516	LH BOLT (1/2-13 X 1, GR2, ZP)	1
12	7K327	SHAFT (11/16 HEX X 4-1/2)	1
13	1-647-010004177	PIN SPRING, SLTD 3/16 X 1-1/2, ZP	1
14	7K326	SPROCKET, #40B 26 X 11/16 HEX BORE	1
15	7D759	MACH BUSH, 7/8 X 1-3/8 X 14GA	6
16	6K023	ANGLE	1
17	1-654-010059-07	SCREW HX CP 5/8-11 X 2-1/2, GR5, ZP	1
18	1-861-010032-19	WASHER, FLAT 5/8 STD, ZP	4
19	117721	4017E IDLER SPK: 5/8"	1
20	1-861-010034-15	WASHER, LOCK 5/8, ZP	1
21	1-512-010007-11	NUT, HEX 5/8-11, ZP GR2	1
22	6K013	STUB SHAFT WLDMT	1
23	1-861-010032-21	WASHER, FLAT 3/4 W ZP/CD	1
24	8C381	MACHINERY BUSHING	6
25	1-512-010005-15	NUT,HEX,SLFLKG GRB 3/4-10	1
26	7K337	ROLLER CHAIN, 96 PITCHES W/ CONNECTOR	2
27	5D575	BOLT, DRILLED 3/4-10 X 2-1/2, GR5	1
28	9J617	SPROCKET, #40B 26 X 3/4 BORE	1
29	1-512-010007-12	NUT, HEX 3/4-10, ZP	1
30	9J618	#40 ROLLER CHAIN, 8 PITCHES	1
31	119716	CONNECTING LINK #40 CHAIN	1
32	163981	OFFSET LINK #40	1

Seed Box Assembly, 5FT

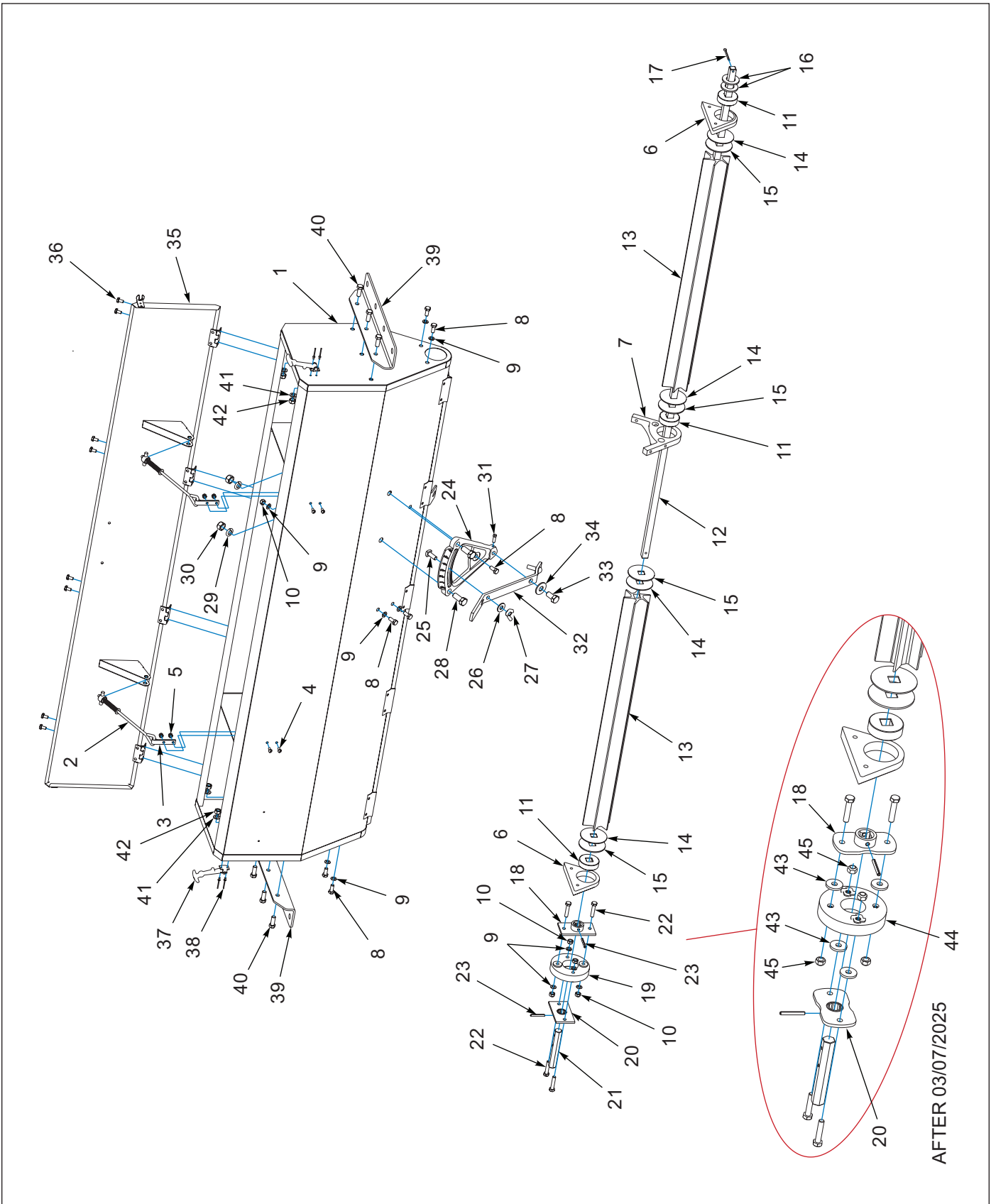


Figure 1-19: Seed Box Assembly, 5FT

Seed Box Assembly, 5FT

ITEM	PART NUMBER	DESCRIPTION	QTY
	8K481	SEEDBOX, BLADES (NO COVER) (INCL. ITEMS 1 - 31, 43-45)	1
	1P721	SEEDBOX ASM, LSP5 (INCL. ITEMS 1 - 38 AND DECALS)	1
1	8K478	LSP5 LANDSCAPE SEEDBOX	1
2	2C360	COVER LOCK ASSEMBLY	2
3	3C341	COVER LOCK CLIP	2
4	169763	SCREW BHSC 10-32X.500 ZP	4
5	1-512-010003-06	NUT,HEX,SLFLKG W/NLY 10-24	4
6	2C911	BOX BEARING	2
7	2C913	INTERMEDIATE BEARING	1
8	1-654-010049-03	SCREW, HX CP 5/16-18 X 3/4, GR5, ZP	9
9	1-861-010034-10	WASHER, LKG 5/16, ZP (BEFORE 03/07/2025, QTY = 13)	9
10	1-512-010007-06	NUT, HEX 5/16-18, ZP (BEFORE 03/07/2025, QTY = 5)	1
11	2C808	BUSHING	3
12	8K493	SHAFT, 5 FT	1
13	6K604	BLADE AGITATOR 28-1/2	2
14	8J564	WASHER,SQ BORE 14 GA	4
15	2C809	WASHER,SQ BORE 12 GA	4
16	1-861-010032-22	WASHER, FLAT 7/8 SAE, ZP	4
17	110-0354	COTTER PIN, 5/32 X 1-1/2, ZP	1
18	7K331	DRIVE FLANGE, 5/8 SQ	1
19	7K336	COUPLING (BEFORE 03/07/2025)	1
20	7K332	DRIVE FLANGE, 11/16 HEX	1
21	7K327	SHAFT (11/16 HEX X 4-1/2)	1
22	1-654-010049-07	SCREW, HX CP 5/16-18 X 1-1/2, GR5, ZP	4
23	1-647-010004177	PIN SPRING, SLTD 3/16 X 1-1/2, ZP	2
24	2C662	SHIFTER PLATE RH	1
25	1C606	BOLT, SQ HEAD 3/8-16 X 1,GR2, ZP	1
26	1-861-010032-11	WASHER, FLAT 3/8 STD, ZP	1
27	155628	NUT WING 318-16 UNC	1
28	1-654-010055-02	SCREW, 1/2-13 X 1-1/4, GR5, ZP	2
29	1-861-010034-13	WASHER, LKG 1/2, ZP	2
30	1-512-010007-09	NUT, HEX 1/2-13, ZP	2
31	1-654-010077-2	SET SCREW, 1/4-20 X 3/4, SQHD,ZP	1
32	2C830	SHIFTER HANDLE ASSEMBLY	1
33	1-654-010055-01	SCREW HX CP, 1/2-13 X 1, GR5, ZP	1
34	1-861-010032-15	WASHER, FLAT 1/2 STD, ZP	1
35	8K494	COVER, 5 FT	1
36	104877	SCREW HX CP, 1/4-20 X 1/2, GR5, ZP	8
37	191376	LATCH, 3" RUBBER	2
38	107-0814	RIVET, BLIND 1/8 X 1/8	4
39	7K325	MOUNTING BRACKET	2
40	1-654-010051-05	SCREW,HEX CAP 3/8-16UNCX1 GR5	6
41	1-861-010034-11	WASHER, LKG HLCL SPR, 3/8	6
42	1-512-010007-07	NUT, HEX 3/8-16 GR2 ZP	6
43	253340	WASHER, 5/16 FLAT HEAVY, ZP (AFTER 03/07/2025)	4
44	247798	FLEX COUPLER (AFTER 03/07/2025)	1
45	1-512-010005-03	NUT HEX SLFLKG GRB 5/16-18 (AFTER 03/07/2025)	4

Seed Box Assembly, 6FT

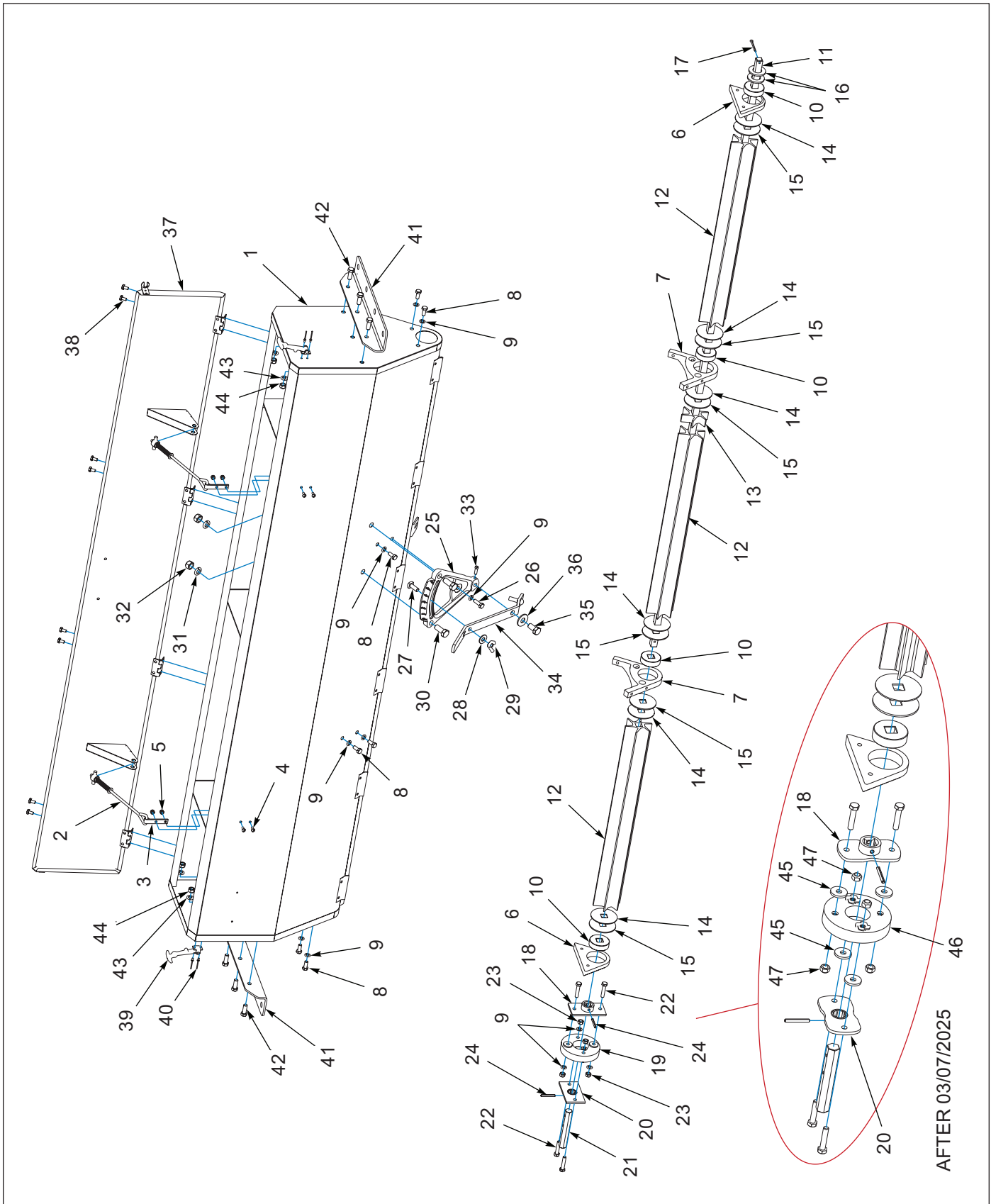


Figure 1-20: Seed Box Assembly, 6FT

Seed Box Assembly, 6FT

ITEM	PART NUMBER	DESCRIPTION	QTY
	7K339	SEEDBOX W/BLADES (NO COVER) (INCL. ITEMS 1 - 33, 45-47)	1
	9K084	LSP6 SEEDBOX ASSEMBLY (INCL. ITEMS 1 - 40 AND DECALS)	1
1	7K319	LANDSCAPE SEEDBOX, 6FT	1
2	2C360	PIVOT LOCK ASSY	2
3	3C341	COVER LOCK CLIP	2
4	1C213	RND HD, #10-24 X 1/2, ZP	4
5	1-512-010003-06	NUT,HEX,SLFLKG W/NLY 10-24	4
6	2C911	BOX BEARING	2
7	2C913	INTERMEDIATE BEARING	2
8	1-654-010049-03	SCREW, HX CP 5/16-18 X 3/4, GR5, ZP	11
9	1-861-010034-10	WASHER, LKG 5/16, ZP (BEFORE 03/07/2025, QTY = 16)	12
10	2C808	BUSHING	4
11	7K333	SHAFT, 6 FT	1
12	6K603	BLADE AGITATOR 22-1/2	3
13	7K988	BLADE SPACER	1
14	8J564	WASHER,SQ BORE 14 GA	6
15	2C809	WASHER,SQ BORE 12 GA	6
16	1-861-010032-22	WASHER, FLAT 7/8 SAE, ZP	4
17	110-0354	COTTER PIN, 5/32 X 1-1/2, ZP	1
18	7K331	DRIVE FLANGE, 5/8 SQ	1
19	7K336	COUPLING (BEFORE 03/07/2025)	1
20	7K332	DRIVE FLANGE, 11/16 HEX	1
21	7K327	SHAFT (11/16 HEX X 4-1/2)	1
22	1-654-010049-07	SCREW, HX CP 5/16-18 X 1-1/2, GR5, ZP	4
23	1-512-010007-06	NUT, HEX 5/16-18, ZP (BEFORE 03/07/2025)	4
24	1-647-010004177	PIN SPRING, SLTD 3/16 X 1-1/2, ZP	2
25	2C662	SHIFTER PLATE RH	1
26	1-654-010049-05	SCREW HX CP, 5/16-18 X 1, GR5, ZP	1
27	1C606	BOLT, SQ HEAD 3/8-16 X 1,GR2, ZP	1
28	1-861-010032-11	WASHER, FLAT 3/8 STD, ZP	1
29	155628	NUT WING 3/8-16 UNC	1
30	1-654-010055-02	SCREW, 1/2-13 X 1-1/4, GR5, ZP	2
31	1-861-010034-13	WASHER, LKG 1/2, ZP	2
32	1-512-010007-09	NUT, HEX 1/2-13, ZP	2
33	1-654-010077-2	SET SCREW, 1/4-20 X 3/4, SQHD,ZP	1
34	2C830	SHIFTER HANDLE ASSEMBLY	1
35	1-654-010055-01	SCR,HX CP 1/2-13UNCX1 GR5	1
36	1-861-010032-15	WASHER, FLAT 1/2 W ZP/CD	1
37	7K323	COVER, 6 FT	1
38	104877	SCREW HX CP, 1/4-20 X 1/2, GR5, ZP	8
39	191376	LATCH, 3" RUBBER	2
40	107-0814	RIVET, BLIND 1/8 X 1/8	4
41	7K325	MOUNTING BRACKET	2
42	1-654-010051-05	SCREW,HEX CAP 3/8-16UNCX1 GR5	6
43	1-861-010034-11	WASHER, LKG HLCL SPR, 3/8	6
44	1-512-010007-07	NUT, HEX 3/8-16 GR2 ZP	6
45	253340	WASHER, 5/16 FLAT HEAVY, ZP (AFTER 03/07/2025)	4
46	247798	FLEX COUPLER (AFTER 03/07/2025)	1
47	1-512-010005-03	NUT HEX SLFLKG GRB 5/16-18 (AFTER 03/07/2025)	4

Blade Agitator Kit - Optional

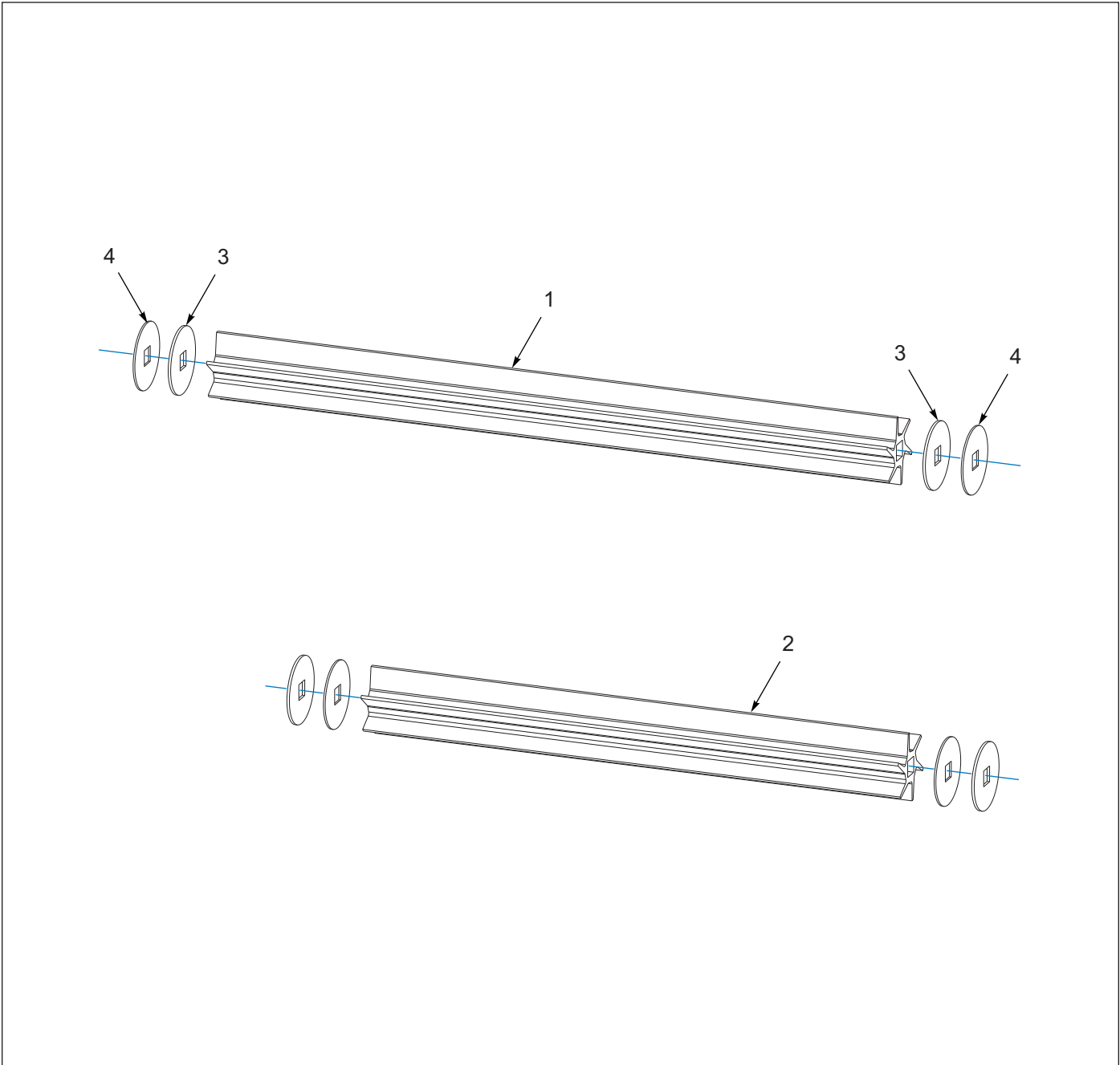


Figure 1-21: Blade Agitator Kit - Optional

Blade Agitator Kit - Optional

ITEM	PART NUMBER	DESCRIPTION	QTY	
		MODELS	5'	6'
	256672	BLADE AGITATOR KIT, SS5/LS5	1	--
	256674	BLADE AGITATOR KIT, LS6	--	1
1	6K604	BLADE AGITATOR 28-1/2"	2	--
2	6K603	BLADE AGITATOR 22-1/2"	--	3
3	2C809	WASHER, SQ BORE 12GA	4	6
4	8J564	WASHER, SQ BORE 14GA	4	6

Brush Agitator Kit - Optional

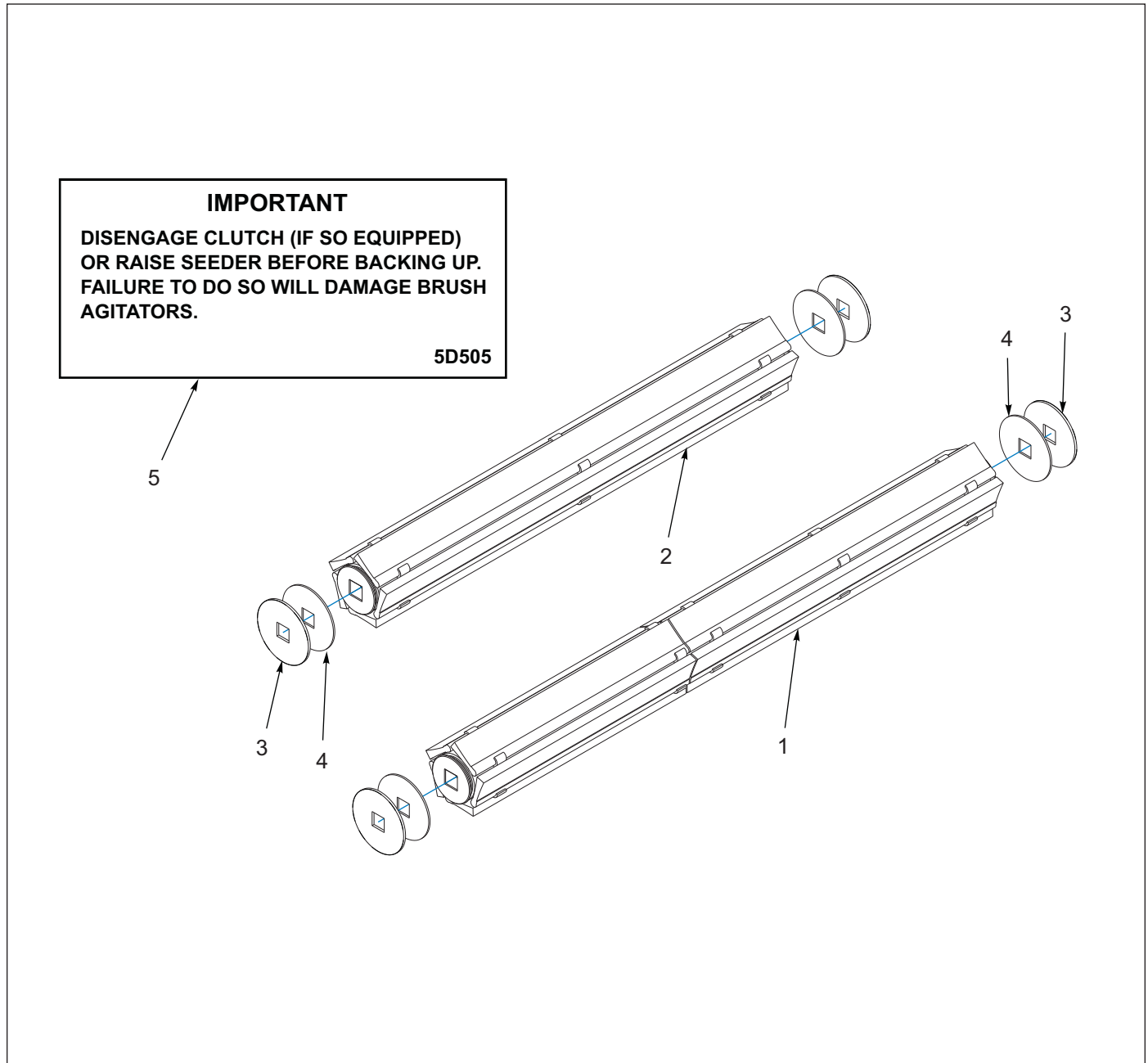


Figure 1-22: Brush Agitator Kit - Optional

Brush Agitator Kit - Optional

ITEM	PART NUMBER	DESCRIPTION	QTY	
		MODELS	5'	6'
	5C883	5' BRUSH AGITATOR KIT	1	--
	8K991	6' BRUSH AGITATOR KIT	--	1
1	5C882	AGITATOR ASSEMBLY (28") (SEE PAGE 1-30)	2	--
2	3C995	BRUSH AGITATOR ASSEMBLY (22-1/2") (SEE PAGE 1-31)	--	3
3	2C809	WASHER, SQ BORE 12GA	4	6
4	8J564	WASHER, SQ BORE 14GA	4	6
5	5D505	DECAL - 'IMPORTANT INFORMATION'	1	1

Brush Agitator Assembly - 28"

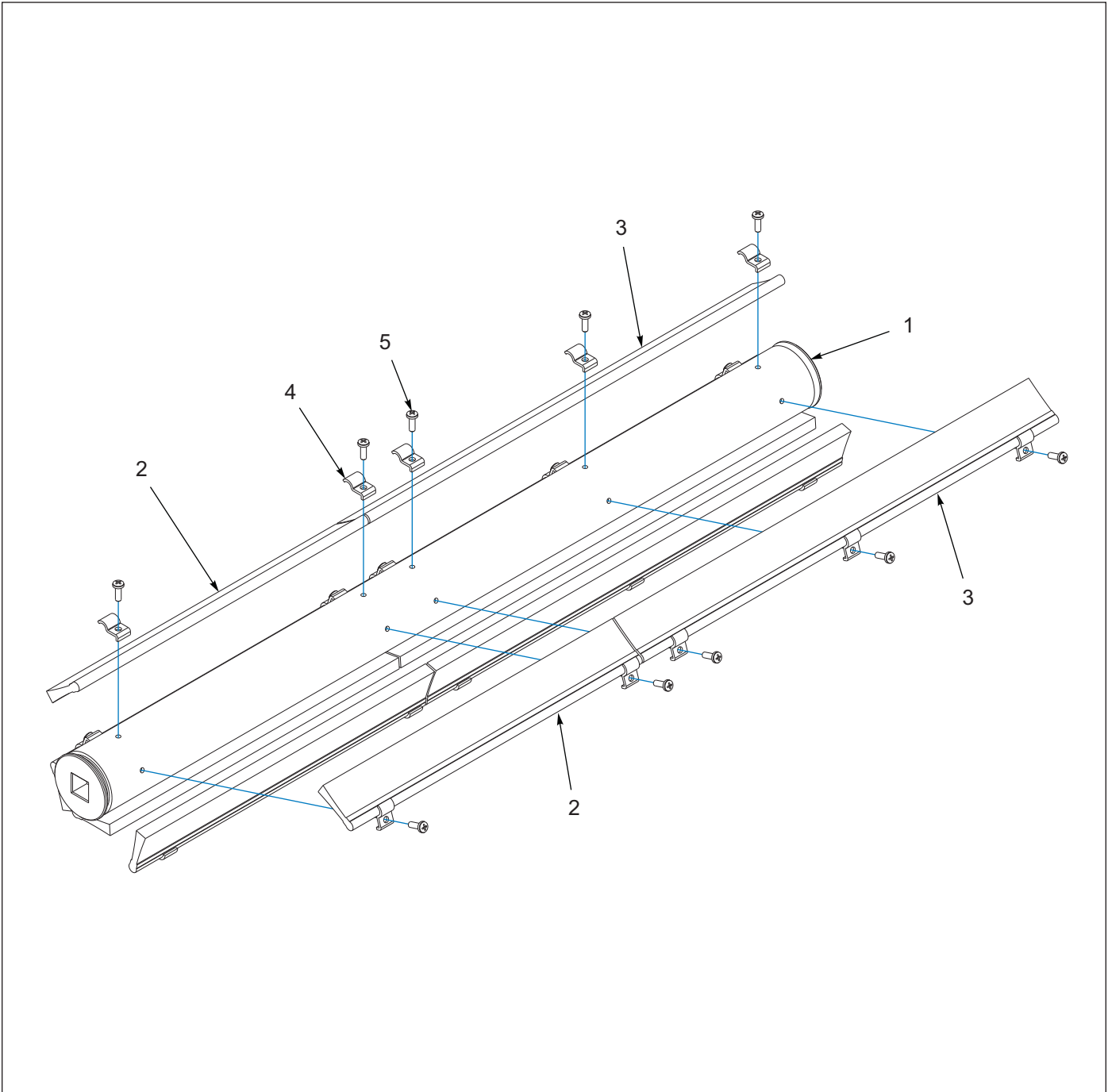


Figure 1-23: Brush Agitator Assembly - 28"

Brush Agitator Assembly - 28"

ITEM	PART NUMBER	DESCRIPTION	QTY
	5C882	AGITATOR ASSEMBLY (28")	1
1	5C881	BRUSH AGITATOR PIPE ASM	1
2	4C003	BRUSH STRIP, 16-1/2"	5
3	5C880	BRUSH STRIP, 11-1/2"	5
4	3C956	BRUSH STRIP CLIP	25
5	3C998	SCREW (8-32 X 1/2)	25

Brush Agitator Assembly - 22-1/2"

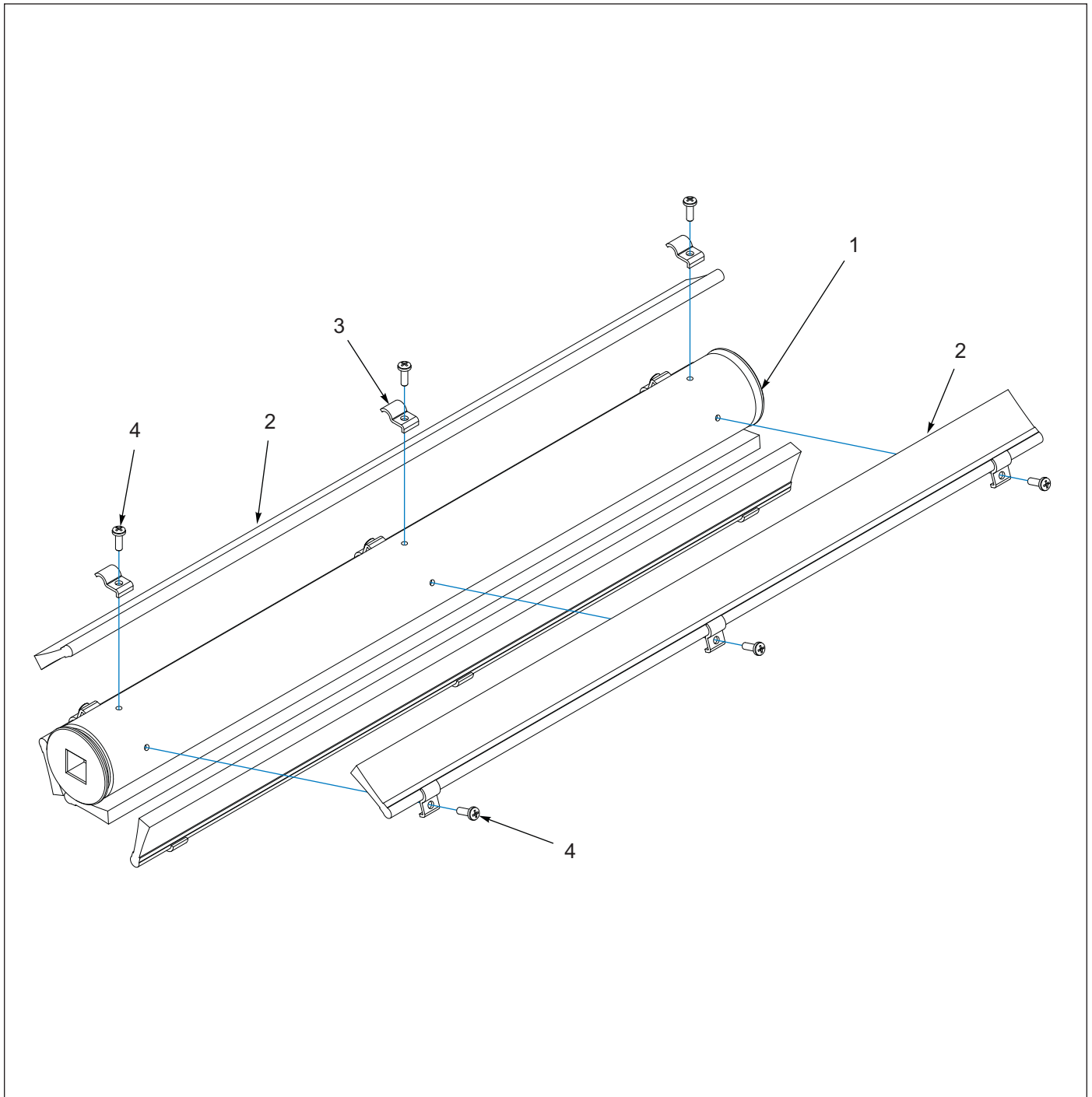


Figure 1-24: Brush Agitator Assembly - 22-1/2"

Brush Agitator Assembly - 22-1/2"

ITEM	PART NUMBER	DESCRIPTION	QTY
	3C995	BRUSH AGITATOR ASSEMBLY (22-1/2")	1
1	3C996	BRUSH AGITATOR PIPE	1
2	3C997	BRUSH STRIP, 22-1/4"	5
3	3C956	BRUSH STRIP CLIP	15
4	3C998	SCREW (8-32 X 1/2)	15

8-Row Brush Agitator - Optional

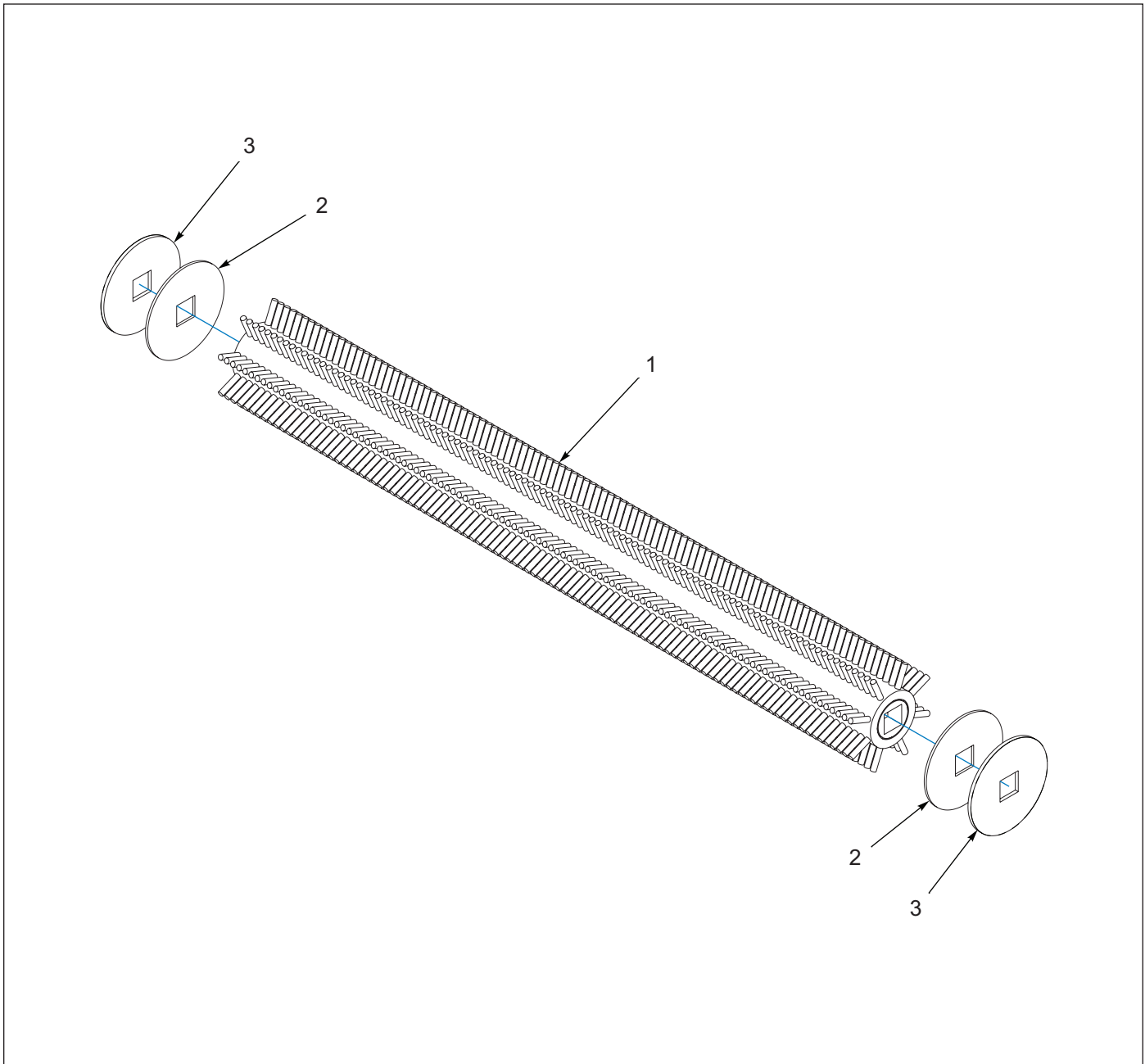


Figure 1-25: 8-Row Brush Agitator - Optional

8-Row Brush Agitator - Optional

ITEM	PART NUMBER	DESCRIPTION	QTY	
		MODELS	5'	6'
	236904	KIT, 8 ROW BRUSH LSP5/SSP5	1	--
	236906	KIT, 8 ROW BRUSH LSP6	--	1
1	236902	BRUSH,8 ROW,28.50 LG	2	--
1	236901	BRUSH,8 ROW,22.50 LG	--	2
1	2P173	BRUSH,8 ROW,22.94 LG	--	1
2	2C809	WASHER,SQ BORE 12GA	4	10
3	8J564	WASHER,SQ BORE 14 GA	4	6

Cage Agitator - Optional

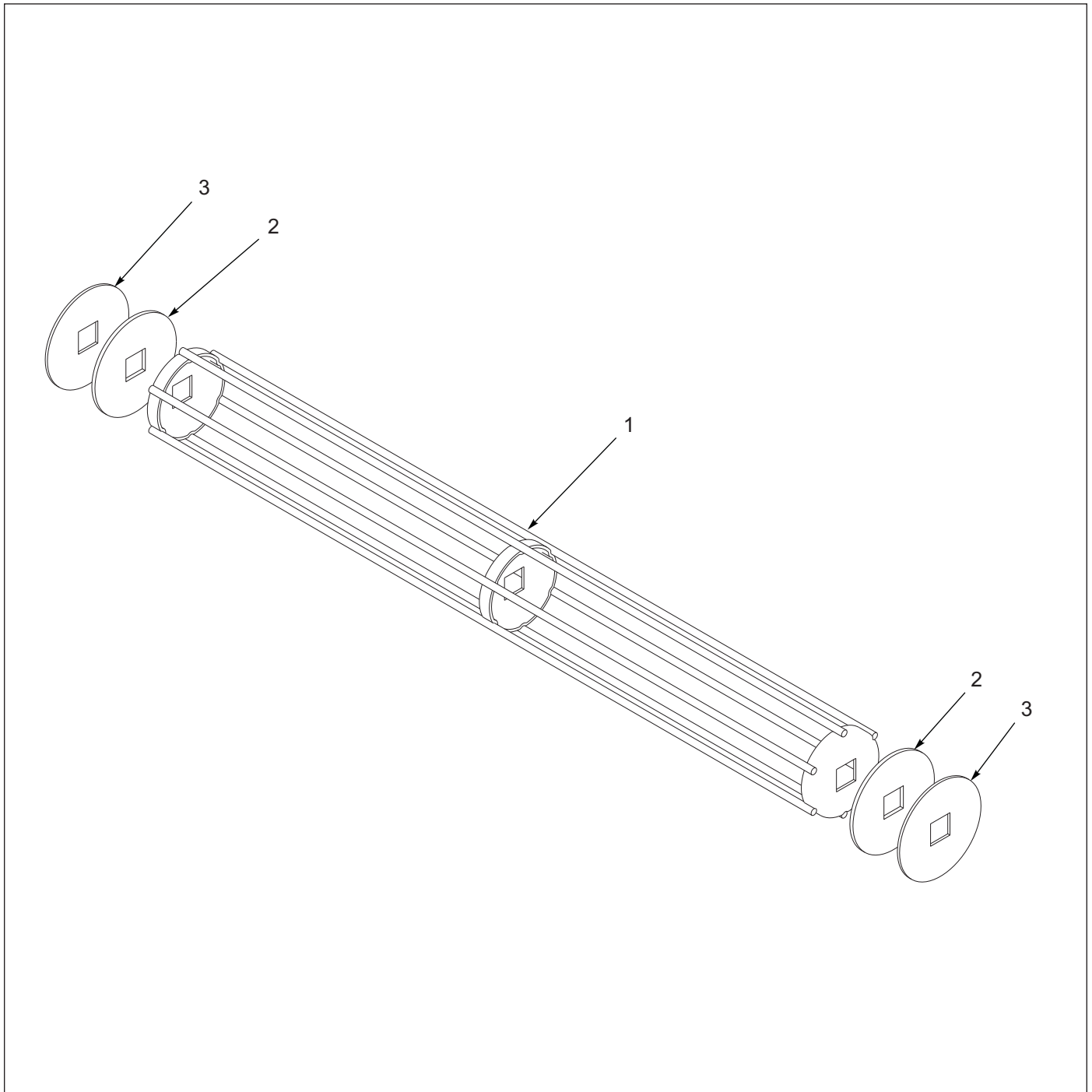


Figure 1-26: Cage Agitator - Optional

Cage Agitator - Optional

ITEM	PART NUMBER	DESCRIPTION	QTY	
			5'	6'
		MODELS		
1	2C815	AGITATOR CAGE ASSEMBLY (22-1/2")	--	3
1	5C195	AGITATOR CAGE ASSEMBLY (28-1/2")	2	--
2	2C809	WASHER, SQ BORE 12GA	4	6
3	8J564	WASHER, SQ BORE 14GA	4	6

Acre Meter Kit - Optional

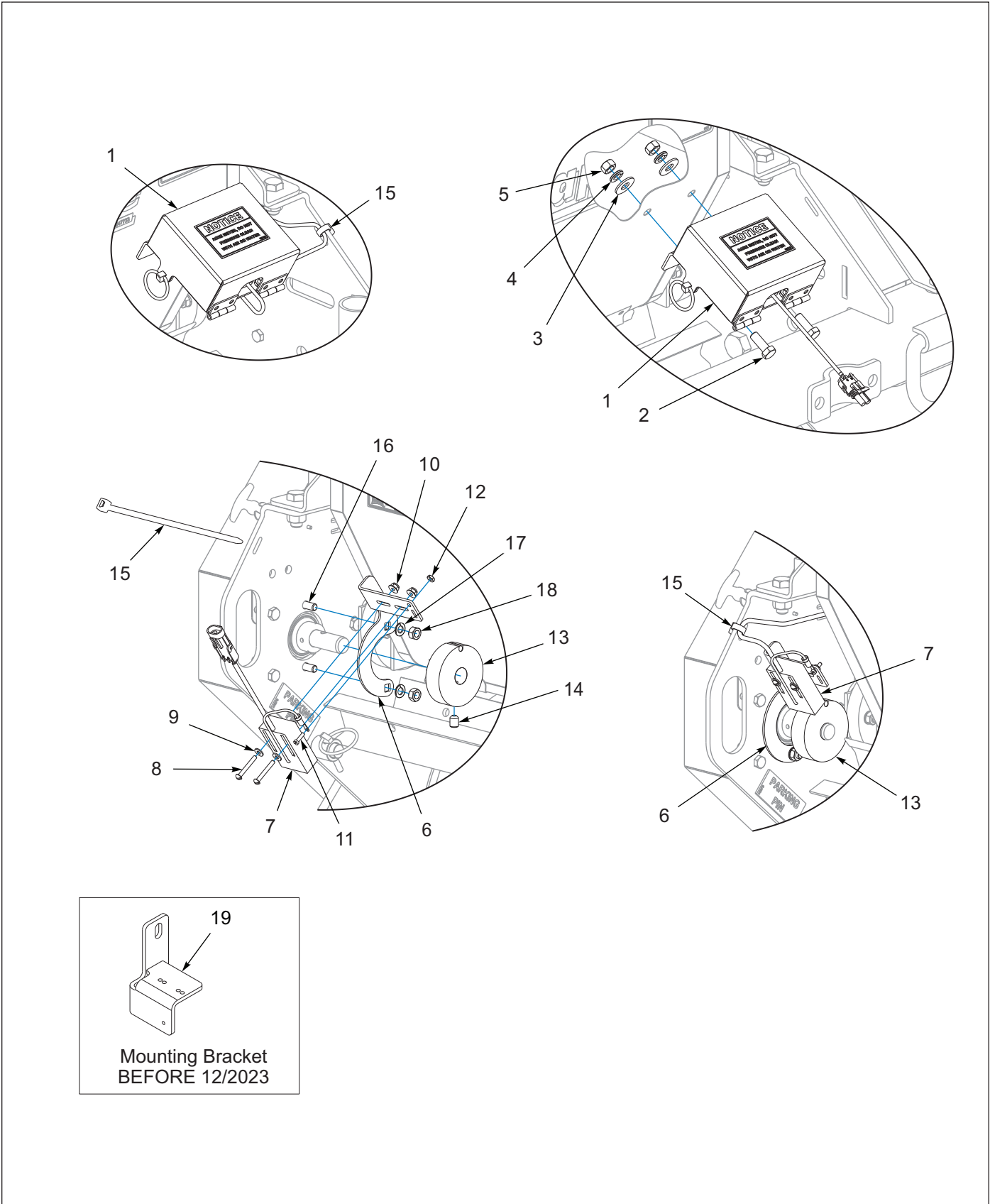


Figure 1-27: Acre Meter Kit - Optional

Acre Meter Kit - Optional

ITEM	PART NUMBER	DESCRIPTION	QTY
	6K036	ACRE METER KIT (INCLUDES ITEMS 1 - 15)	1
1	253361	ACRE METER W/ENCLOSURE (INCLUDES ITEMS 2 - 5) (AFTER 06/01/2025) (SEE PAGE 1-36) (NOT SHOWN)	1
1	5K310	ACRE METER ASSEMBLY (INCLUDES ITEMS 2 - 5) (05/15/2012 TO 06/01/2025) (SEE PAGE 1-37) (SHOWN)	1
2	1-654-010051-05	SCREW,HEX CAP 3/8-16UNCX1 GR5	2
3	1-861-010032-11	WASHER, FLAT 3/8 W ZP/CD	2
4	1-861-010034-11	WASHER, LKG HLCL SPR, 3/8	2
5	1-512-010007-07	NUT, HEX 3/8-16 GR2 ZP	2
6	247736	BRACKET,PICKUP SWITCH	1
7	153862	SWITCH ASSY, ELECTRONIC ACRE	1
8	5K262	SCREW,RD HD MACH #8-32X1-1/4	2
9	1-861-010032-02	WASHER,FL #8 ZP/CD	2
10	234115	NUT,FLANGE NY-LOK #8-32	2
11	2D045	SCREW RD HD MACH 6-32XNCX1/2	1
12	12D6E	NUT HEX HD #6-32	1
13	5K277	MAGNET WHEEL ASSY (INCLUDES ITEM 14)	1
14	122709	SCREW,SET,HXSKTCPPT 3/8-16X1/2	1
15	105-0228	TYWRAP 8IN LG TY-5272MX	10
16	1-654-010049-05	SCREW HX CP 5/16-18UNCX1 GR5	2
17	1-861-010034-10	WASHER,LKG 5/16	2
18	1-512-010007-06	NUT, HEX 5/16-18 GR2 ZP	2
19	185991	BRACKET, ACRE METER (BEFORE 12/2023)	1

Acre Meter Assembly (After 06/01/2025)

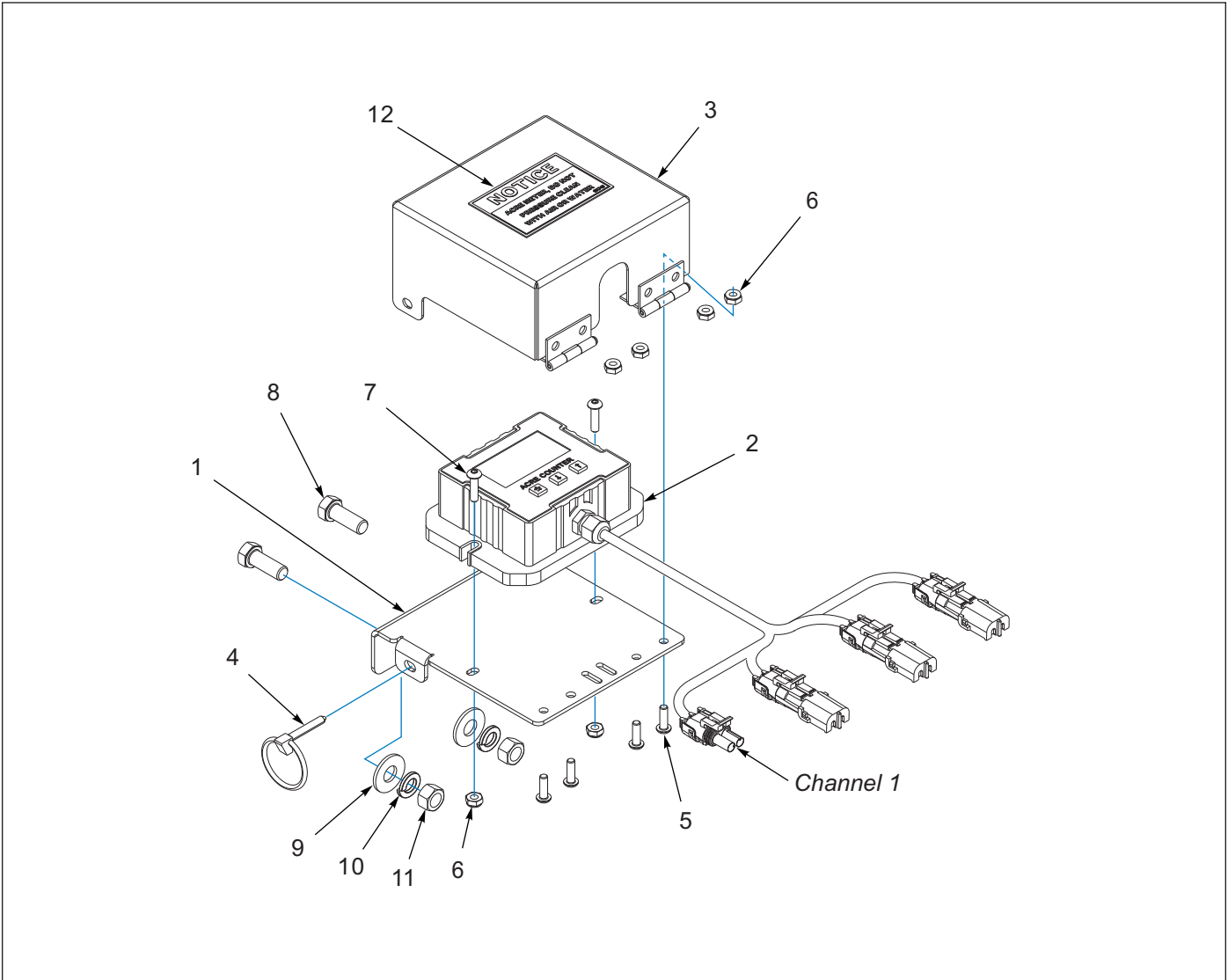


Figure 1-28: Acre Meter Assembly (After 06/01/2025)

Acre Meter Assembly (After 06/01/2025)

ITEM	PART NUMBER	DESCRIPTION	QTY
	253361	ACRE METER W/ENCLOSURE	1
1	253360	BRACKET, ACRE METER	1
2	254817	METER, ACRE 4 CHANNEL	1
3	253359	COVER, ACRE METER	1
4	5D129	KLIK PIN (3/16 X 1-1/4)	1
5	109394	SCREW, BHSC #10-24UNCX5/8	4
6	1-512-010003-06	NUT,HEX,SLFLKG W/NLY 10-24	6
7	109410	SCREW, BHSC #10-24UNCX3/4	2
8	1-654-010051-05	SCREW,HEX CAP 3/8-16UNCX1 GR5	2
9	1-861-010032-11	WASHER, FLAT 3/8 W ZP/CD	2
10	1-861-010034-11	WASHER, LKG HLCL SPR, 3/8	2
11	1-512-010007-07	NUT, HEX 3/8-16 GR2 ZP	2
12	9K740	DECAL, ACRE METER	1

Acre Meter Assembly (05/15/2012 TO 06/01/2025)

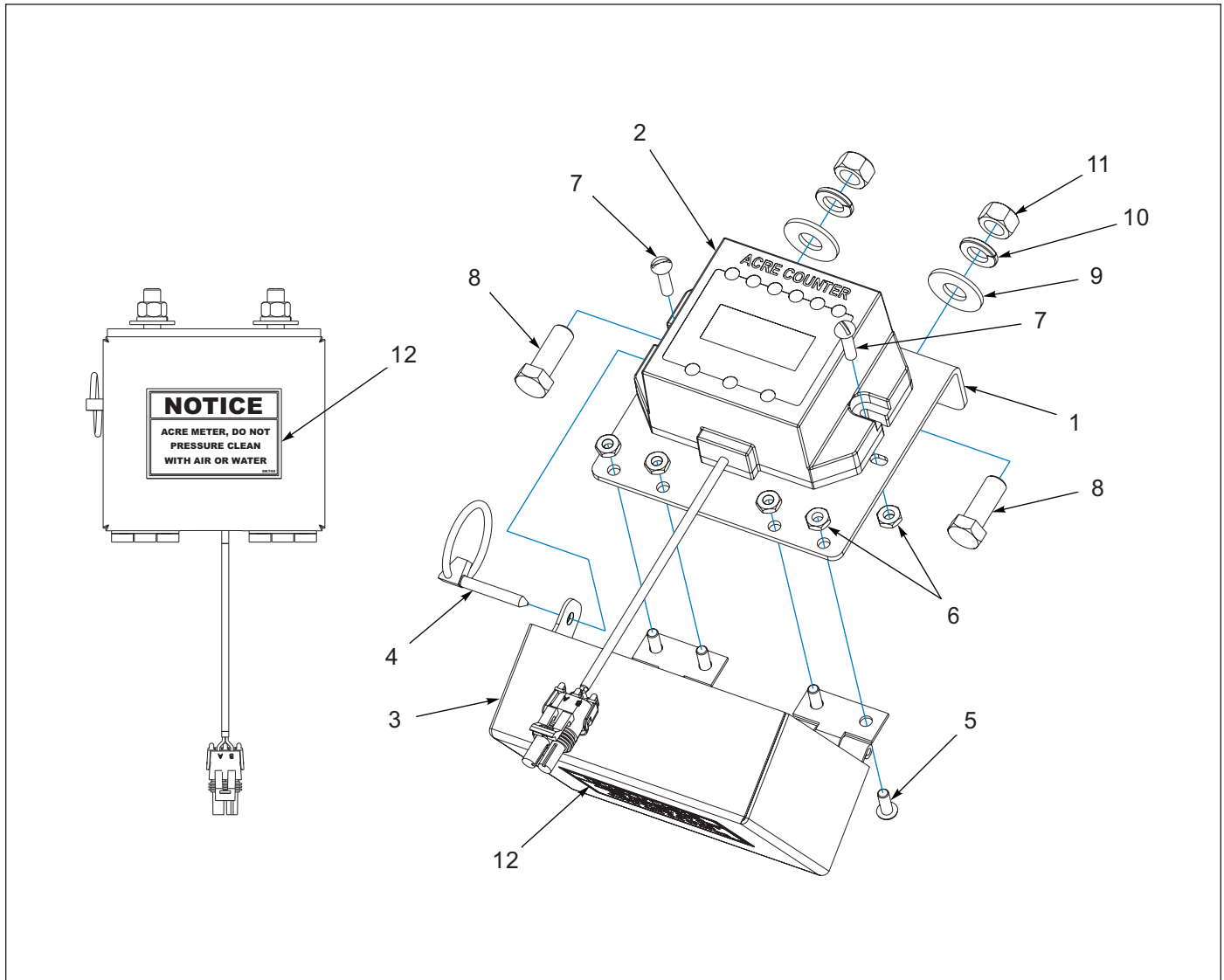


Figure 1-29: Acre Meter Assembly (05/15/2012 TO 06/01/2025)

Acre Meter Assembly (05/15/2012 TO 06/01/2025)

ITEM	PART NUMBER	DESCRIPTION	QTY
	5K310	ACRE METER ASSEMBLY (OBSOLETE)	1
1	170943	MOUNT-ACRE METER	1
2	170948	CONSOLE, ELECTRONIC ACRE (OBSOLETE)	1
3	170946	COVER-ACRE METER, WELDMENT	1
4	5D129	KILK-PIN (3/16 X 1-1/4)	1
5	1C213	STOVE BOLT #10-24X1/2 RD HD ZP	4
6	1-512-010007-03	NUT, HEX 10-24 GR2 ZP	6
7	1-656-010003051	SCREW,RH HD MACH 10-24X3/4	2
8	1-654-010051-05	SCREW,HEX CAP 3/8-16UNCX1 GR5	2
9	1-861-010032-11	WASHER, FLAT 3/8 W ZP/CD	2
10	1-861-010034-11	WASHER, LKG HLCL SPR, 3/8	2
11	1-512-010007-07	NUT, HEX 3/8-16 GR2 ZP	2
12	9K740	DECAL, ACRE METER	1

Acre Meter Assembly (Before 05/15/2012)

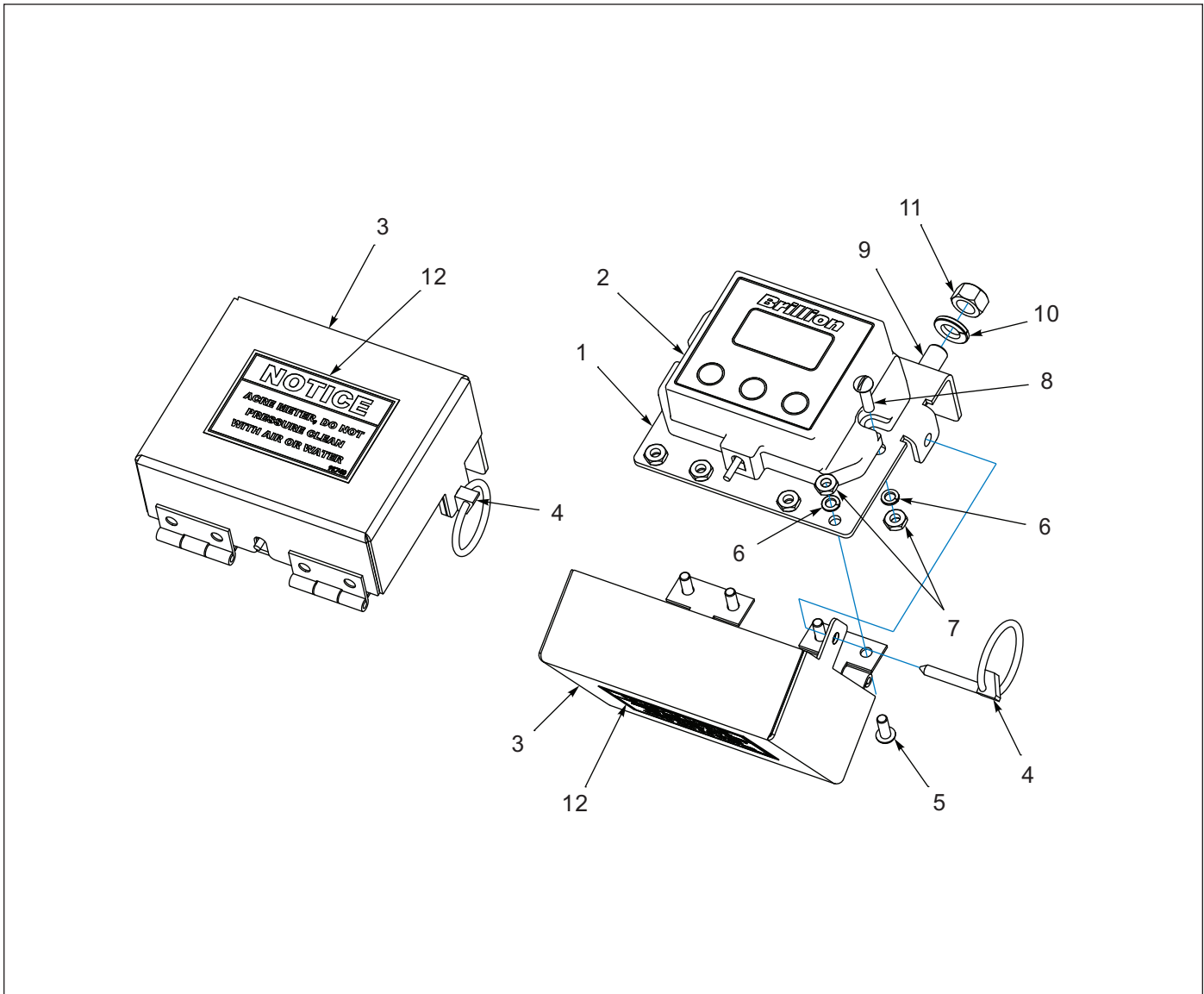


Figure 1-30: Acre Meter Assembly (Before 05/15/2012)

Acre Meter Assembly (Before 05/15/2012)

ITEM	PART NUMBER	DESCRIPTION	QTY
1	9K739	BRACKET, ACRE METER	1
2	153861	CONSOLE, ELECTRONIC ACRE (OBSOLETE)	1
3	9K741	COVER, ACRE METER WLD	1
4	5D129	KLIK-PIN (3/16 X 1-1/4)	1
5	1C213	STOVE BOLT, #10-24 X 1/2, RD HD, ZP	4
6	1-861-010034-07	WASHER, LKG, HLCL SPR NO 10	6
7	1-512-010007-03	NUT, HEX 10-24 GR2 ZP	6
8	1-656-010003051	SCREW,RH HD MACH 10-24X3/4	2
9	1-654-010051-05	SCREW,HEX CAP 3/8-16UNCX1 GR5	2
10	1-861-010034-11	WASHER, LKG HLCL SPR, 3/8	2
11	1-512-010007-07	NUT, HEX 3/8-16 GR2 ZP	2
12	9K740	DECAL, ACRE METER	1

CAT2 Quick Hitch Adapter Kit - Optional

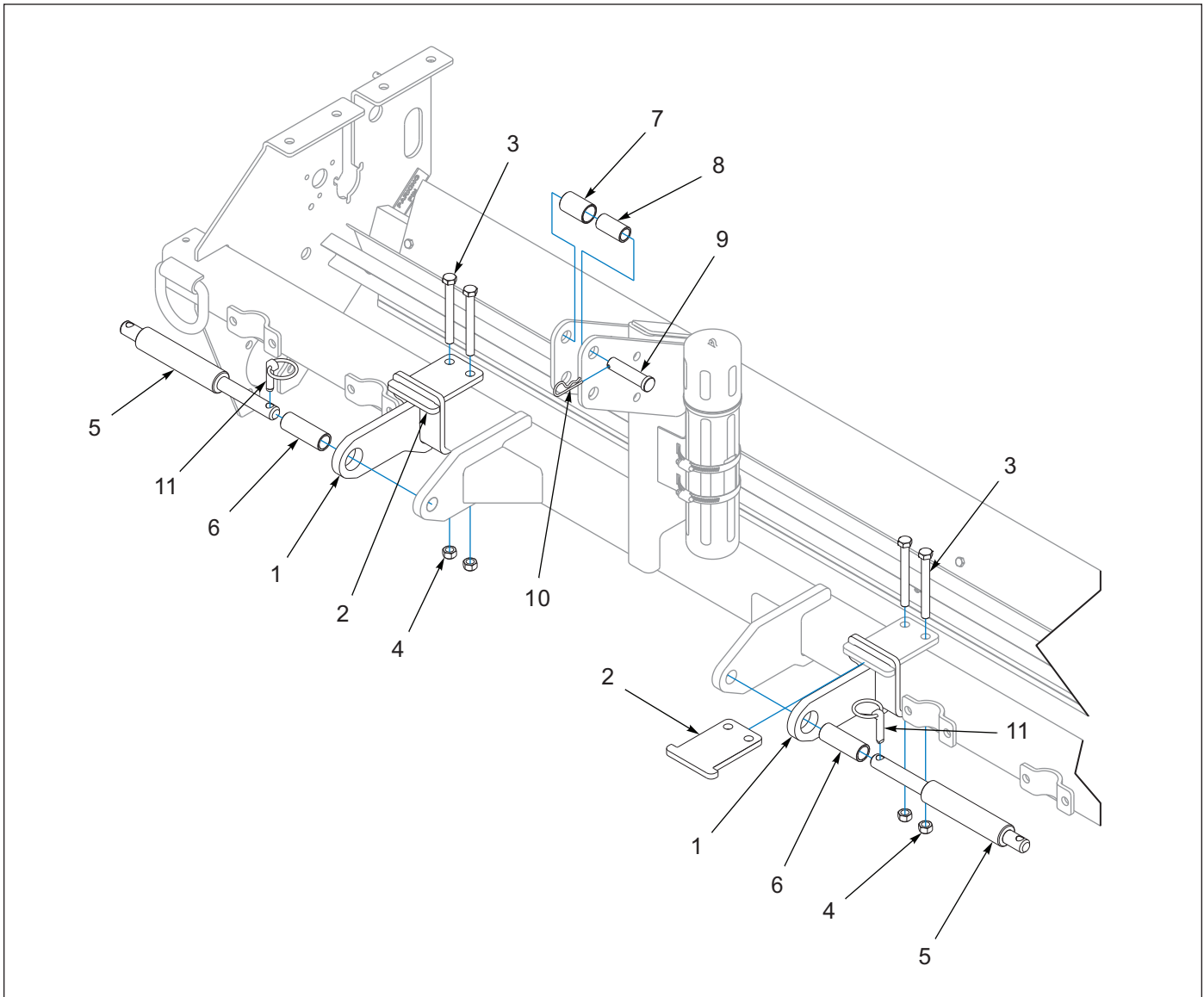


Figure 1-31: CAT2 Quick Hitch Adapter Kit - Optional

CAT2 Quick Hitch Adapter Kit - Optional

ITEM	PART NUMBER	DESCRIPTION	QTY
	210928	KIT,CAT2QH,LSP/SSP4,5,6 (INCLUDES ITEMS 1 - 7)	1
1	210925	HITCH LUG WLDMT	2
2	210927	PLATE,CLAMP	2
3	1-654-010055-14	SCREW,HX CP,1/2-13UNCX4-1/2GR	4
4	1-512-010005-09	NUT,HEX,SLFLKG, 1/2-13 GRB	4
5	210926	PIN, LOWER, 3-POINT	2
6	232368	SPACER, METER ACTUATOR 3-3/16L(1-1/8 OD)	2
7	5D157	SLEEVE (1-1/4 OD X 1-15/16 LG)	1
8	7K229	SLEEVE - 1 OD X 2 LG (EXISTING HARDWARE)	1
9	7D642	CLEVIS PIN (3/4 X 3) (EXISTING HARDWARE)	1
10	6J448	HAIRPIN COTTER 1/8 (EXISTING HARDWARE)	1
11	7631	QUICK PIN (EXISTING HARDWARE)	2

Lift Sling Kit - Optional

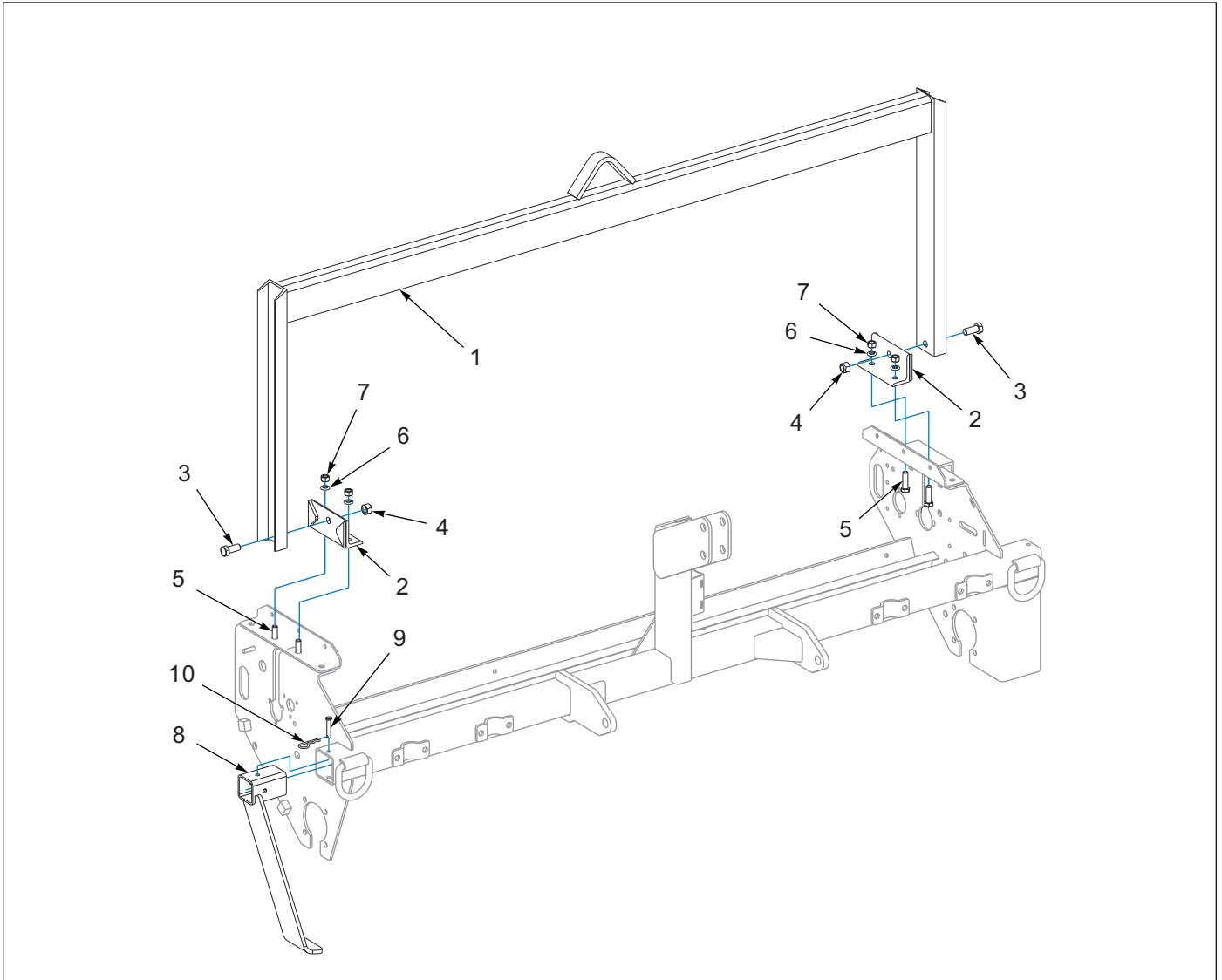


Figure 1-32: Lift Sling Kit - Optional

Lift Sling Kit - Optional

ITEM	PART NUMBER	DESCRIPTION	QTY
	6K060	LIFT SLING KIT 6-FT	1
	8K636	LIFT SLING KIT 5-FT	1
1	6K059	LIFT SLING, 6-FT	1
1	8K637	LIFT SLING, 5-FT	1
2	6K051	MOUNTING BRACKET	2
3	1-654-010059-03	SCREW, 5/8-11 X 1-1/2, GR5 ZP	2
4	1-512-010005-13	NUT,HEX SLFLKG GRB 5/8-11	2
5	1-654-010055-04	SCREW,HEX CAP,1/2-13UNCX1-3/4	4
6	1-861-010034-13	WASHER, LKG HLCL SPR, 1/2	4
7	1-512-010007-09	NUT, HEX 1/2-13 GR2 ZP	4
8	6K207	STABILIZER	1
9	1K936	CLEVIS PIN	1
10	4C856	HAIRPIN COTTER	1

Decals



ITEM 1
2K123



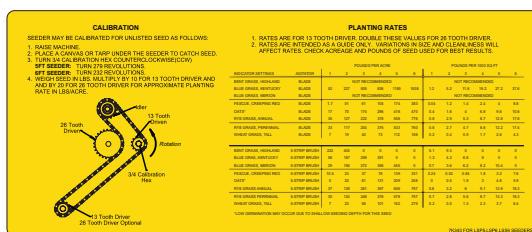
ITEM 2 - 8J310



ITEM 3
9J302



ITEM 4
528934



ITEM 8 - 7K343



ITEM 11
2P151



ITEM 5
528933



ITEM 9 - 193500



ITEM 6
528938



ITEM 9 - 4K036

ITEM 12
235624



ITEM 7
9J301



ITEM 10 - 247733



ITEM 13
1-573-010006



ITEM 10 - 7K341



ITEM 10 - 8K487

Figure 1-33: Decals

Decals

ITEM	PART NUMBER	DESCRIPTION	QTY
1	2K123	DECAL - "WARNING"	1
2	8J310	DECAL - CAUTION	1
3	9J302	DECAL CAUTION PARK PIN	1
4	528934	REFLECTOR - YELLOW	2
5	528933	REFLECTOR - RED	2
6	528938	STRIPE, ORANGE	2
7	9J301	DECAL - "PARKING PIN"	2
8	7K343	SEED CHART - LSP5 & LSP6	1
9	193500	DECAL,BRILLION 2-3/4 HT (AFTER 12/2023)	2
9	4K036	DECAL-BRILLION (2 3/4 X 20) (BEFORE 12/2023)	2
10	247733	DECAL, LANDSCAPE (AFTER 12/2023)	2
10	7K341	DECAL LANDSCAPE 6 (BEFORE 12/2023)	2
10	8K487	DECAL LANDSCAPE 5 (BEFORE 12/2023)	2
11	2P151	SMV W/BRACKET (SEE PAGE 1-20)	1
12	235624	DECAL, QR CODE LANDSCAPE SEEDER	1
13	1-573-010006	PLACARD, NAME	1
14	107-0814	RIVET 1/8X1/8 A LUM POP (HARDWARE FOR ITEM 13)	2

Decal Locations (After 12/2023)

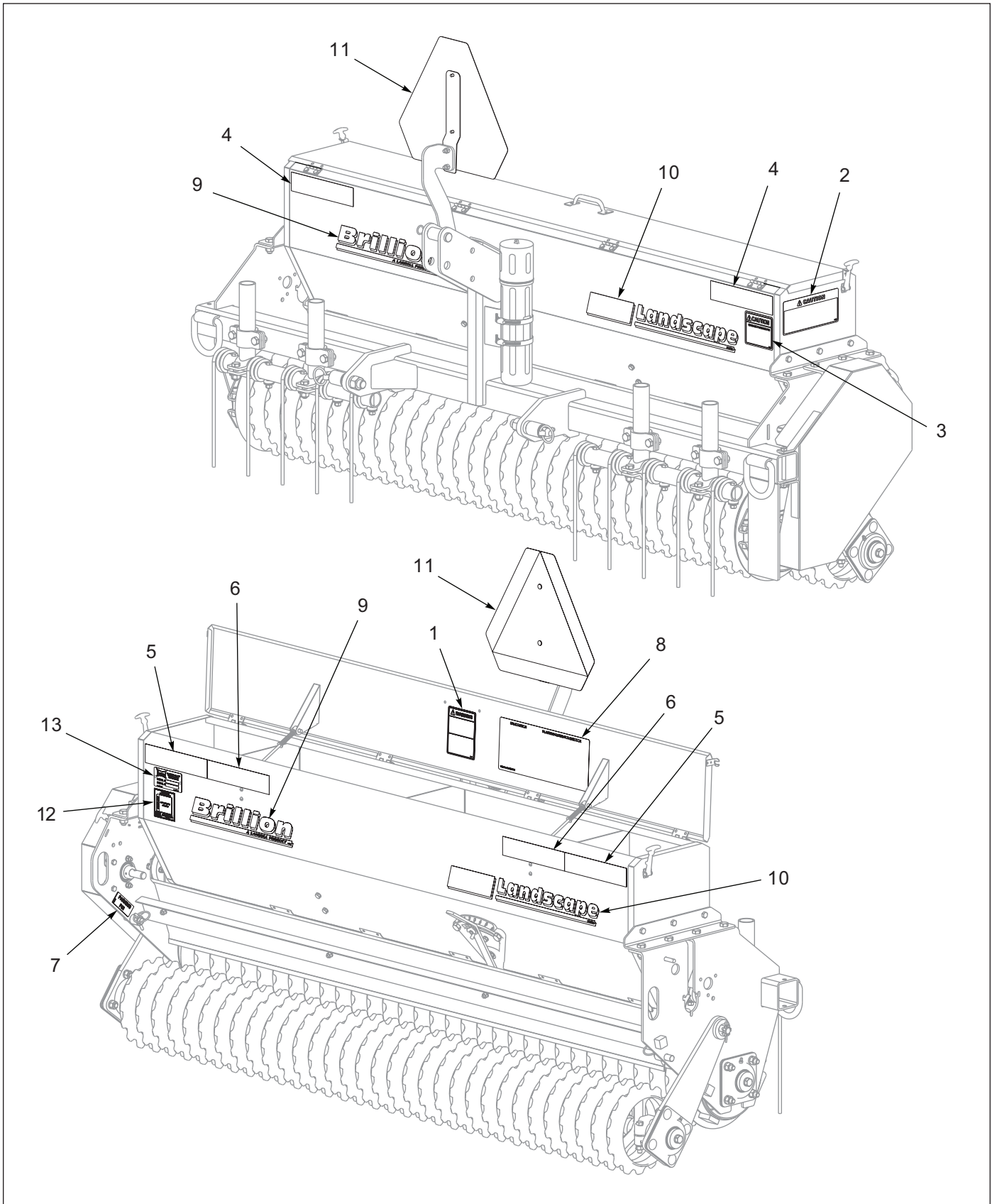


Figure 1-34: LSP Decal Locations (After 12/2023)

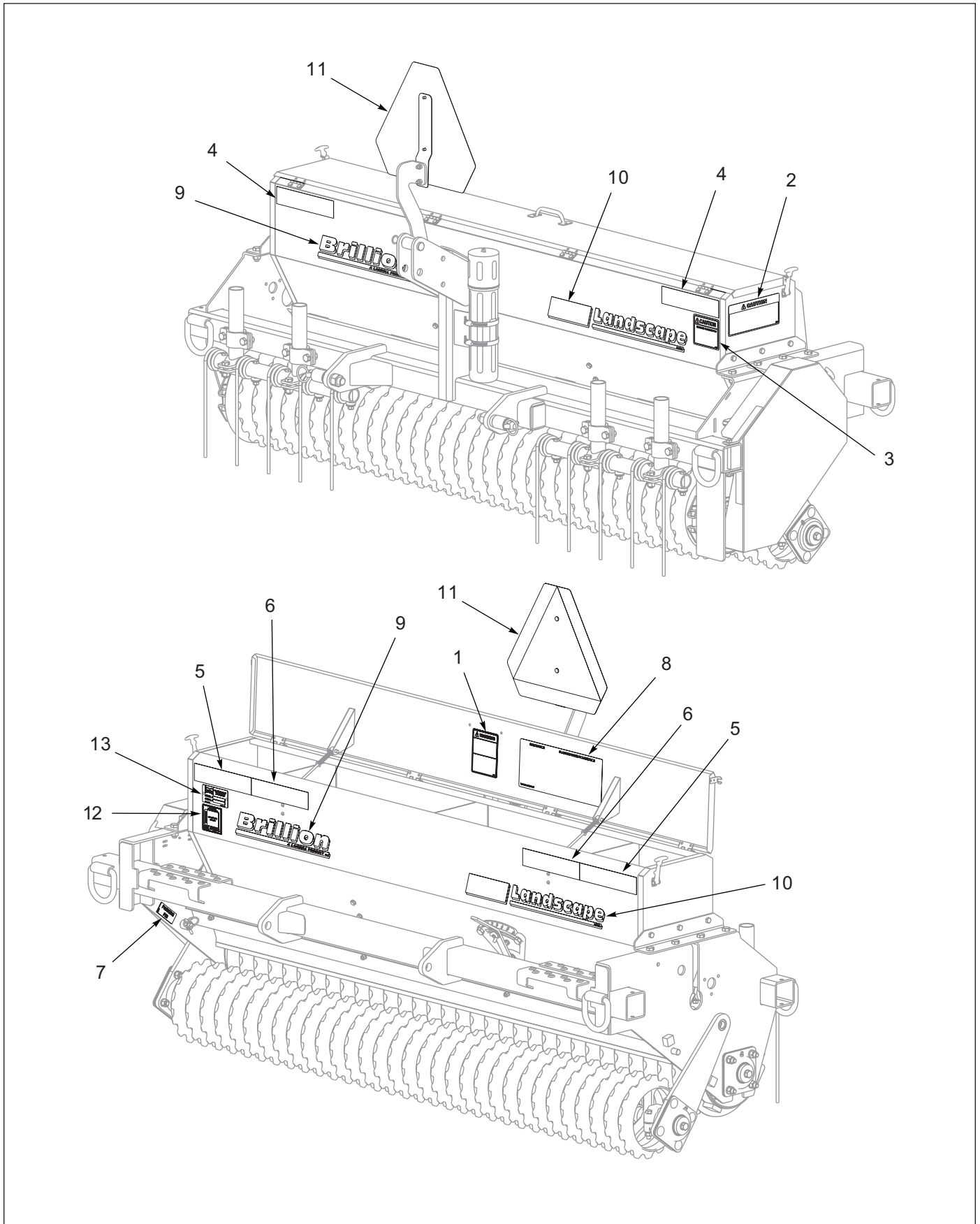


Figure 1-35: LSS6 Decal Locations (After 12/2023)

Decal Locations (Before 12/2023)

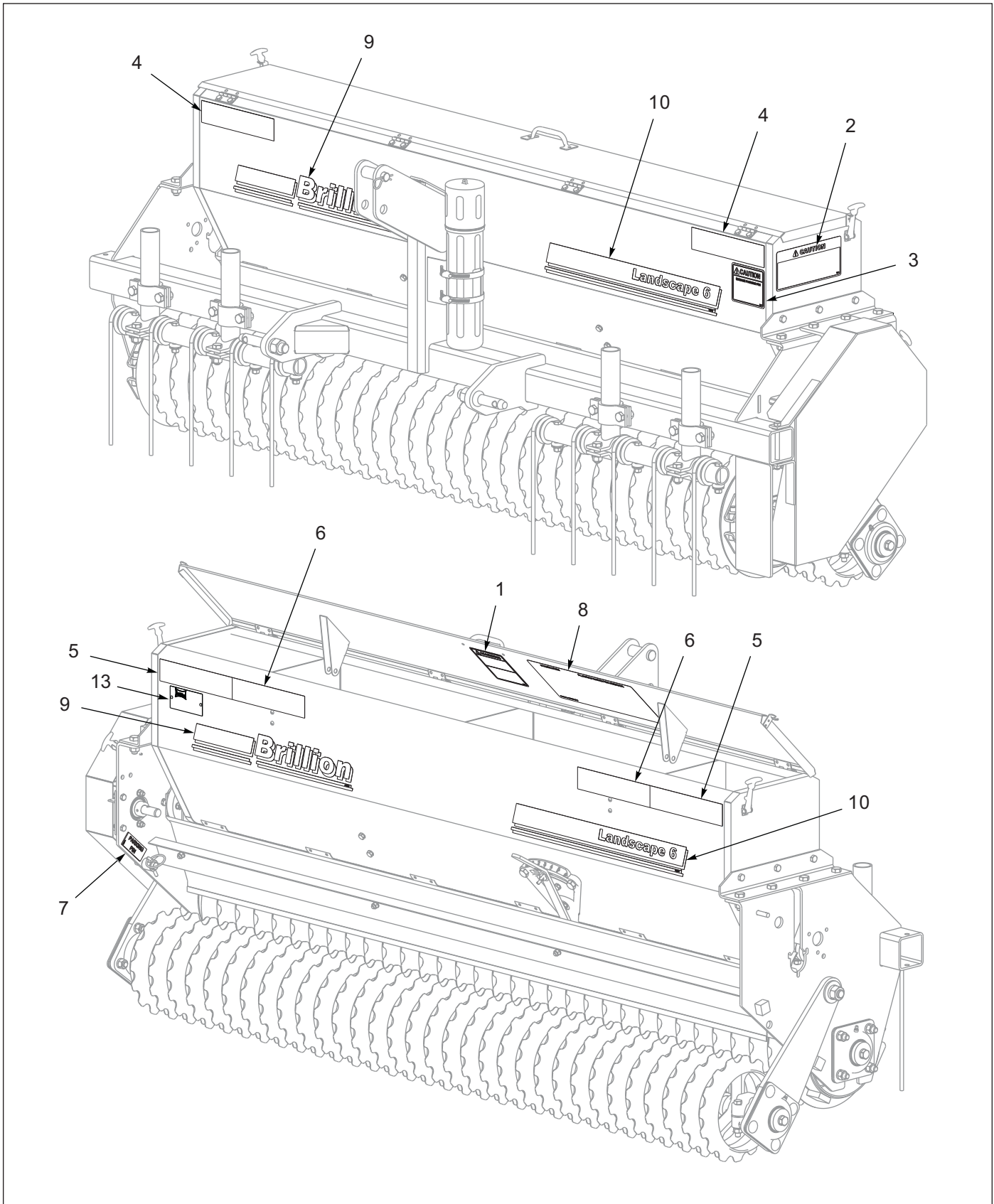


Figure 1-36: LSP Decal Locations (Before 12/2023)

Glossary

For clarity this glossary of industry standard abbreviations and their definitions are provided.

A

ASM Assembly

B

BATT Battery
BHSC Button Head Socket Cap
BLK Black

C

CB Carriage Bolt
CONN Connector
CRG Carriage
CTSK Countersunk
CTWT Counterweight
CVR Cover
CYD Cylinder

D

DBL Double
DIA Diameter

E

ENCLSD Enclosed

F

FHCS Flanged Head Cap Screw
FHHCS Flanged Hex Head Cap Screw
FL OR FLG Flange
FLT Flat

G

GA Gauge

H

HHCS Hex Head Cap Screw
HCS High Carbon Steel
HD Head
HLCL Helical
HCSKT Hex Socket
HSFC Hex Socket Flat Countersunk
HYD Hydraulic

I

ID Inside Diameter

L

LH Lefthand
LKG OR LOCK Locking
LWR Lower

M

MANF Manifold
MNT Mount

N

NRW Narrow
 ----- Not Serviced Separately

O

OD Outside Diameter
OHG Overhead Guard
ORFS OR ORS O-Ring Seal
ORP OR ORB O-Ring Boss

P

P-STEER Power Steering
PTFE Polytetrafluoroethylene (Teflon)

R

RH Righthand
RND Round

S

SER Series
SHCS Socket Head Cap Screw
SHLD Shield
SKT Socket
SLFLKG Selflocking
SOC Socket
SPDT Single Pole Double Throw
SPR Spring
SQ Square
SRTD Serrated
SSCR Setscrew
SST Stainless Steel
STD Standard

U

UPR Upper

W

WHL Wheel
WLD OR WLDMT Weldment

Numerics

104665	1-14	169763	1-25
104877	1-25, 1-27	170943	1-37
105-0093	1-5	170946	1-37
107-0814	1-3, 1-5, 1-25, 1-27, 1-43	170948	1-37
108295	1-3, 1-5	1-861-010032-02	1-35
109394	1-36	1-861-010032-11	1-3, 1-5, 1-9, 1-10, 1-11, 1-25, 1-27, 1-36, 1-37
109410	1-36	1-861-010032-15	1-27
110-0354	1-25, 1-27	1-861-010032-22	1-25, 1-27
1-116-010019	1-3, 1-5	1-861-010034-07	1-38
12D6E	1-35	1-861-010034-10	1-5, 1-25, 1-27
1-512-010003-06	1-36	1-861-010034-11	1-9, 1-11, 1-25, 1-27, 1-36, 1-37, 1-38
1-512-010005-03	1-25, 1-27	1-861-010034-12	1-18
1-512-010005-05	1-3, 1-5, 1-10	1-861-010034-13	1-5, 1-13, 1-14, 1-25, 1-27
1-512-010005-09	1-40	1-861-010034-15	1-13
1-512-010005-13	1-41	191376	1-25, 1-27
1-512-010007-03	1-37, 1-38	1C213	1-27, 1-37, 1-38
1-512-010007-06	1-5, 1-25, 1-27	1C606	1-25, 1-27
1-512-010007-07	1-9, 1-11, 1-25, 1-27, 1-36, 1-37, 1-38	1K936	1-41
1-512-010007-08	1-18	1P721	1-25
1-512-010007-09	1-3, 1-5, 1-13, 1-14, 1-25, 1-27	210925	1-40
1-512-010007-11	1-13	210926	1-40
153861	1-38	210927	1-40
153862	1-35	210928	1-40
155628	1-25, 1-27	232368	1-40
1-557-010327	1-3, 1-5	247798	1-25, 1-27
1-647-010004177	1-25, 1-27	253340	1-25, 1-27
1-654-010049-03	1-3, 1-5, 1-25, 1-27	253359	1-36
1-654-010049-05	1-3, 1-5, 1-27	253360	1-36
1-654-010049-07	1-25, 1-27	253361	1-35, 1-36
1-654-010051-05	1-25, 1-27, 1-36, 1-37, 1-38	253377	1-10
1-654-010051-11	1-9, 1-10, 1-11	253378	1-10
1-654-010055-01	1-27	254817	1-36
1-654-010055-02	1-3, 1-5, 1-25, 1-27	256672	1-28
1-654-010055-03	1-5, 1-13	256674	1-28
1-654-010055-14	1-40	2C360	1-25
1-654-010059-03	1-41	2C662	1-25, 1-27
1-654-010070-03	1-13, 1-14	2C808	1-25, 1-27
1-654-010077-2	1-25, 1-27	2C809	1-28, 1-29, 1-33
1-656-010003051	1-37, 1-38	2C815	1-33
		2C830	1-25, 1-27

2C911	1-25, 1-27	6K059	1-41
2C913	1-25, 1-27	6K060	1-41
2D045	1-35	6K207	1-41
2K123	1-43	6K603	1-28
2K475	1-13	6K604	1-28
3C341	1-25, 1-27	7631	1-40
3C956	1-30, 1-31	7D642	1-3, 1-5, 1-40
3C995	1-29, 1-31	7K229	1-3, 1-5, 1-40
3C996	1-31	7K319	1-27
3C997	1-31	7K323	1-27
3C998	1-30, 1-31	7K325	1-5, 1-25, 1-27
3P259	1-3, 1-5	7K327	1-25, 1-27
4C003	1-30	7K331	1-25, 1-27
4C856	1-41	7K332	1-25, 1-27
4K036	1-43	7K333	1-27
51365-4	1-3, 1-5	7K336	1-25, 1-27
528933	1-43	7K339	1-27
528934	1-43	7K341	1-43
528938	1-43	7K343	1-43
5C195	1-33	7K590	1-3, 1-5
5C880	1-30	8J310	1-43
5C881	1-30	8J564	1-28, 1-29, 1-33
5C882	1-29, 1-30	8K481	1-25
5C883	1-29	8K487	1-43
5D129	1-5, 1-36, 1-37, 1-38	8K488	1-13, 1-15
5D157	1-40	8K493	1-25
5D505	1-29	8K494	1-25
5J603	1-9, 1-10, 1-11	8K600	1-9
5K262	1-35	8K606	1-9
5K277	1-35	8K636	1-41
5K310	1-35, 1-37	8K637	1-41
6J448	1-3, 1-5, 1-40	8K991	1-29
6K010	1-3, 1-5	9J301	1-43
6K011	1-3	9J302	1-43
6K012	1-13, 1-15	9J399	1-14
6K013	1-13	9J457	1-3, 1-5
6K019	1-5	9K098	1-5
6K023	1-3, 1-5	9K100	1-5
6K024	1-3, 1-5	9K191	1-27
6K027	1-11	9K404	1-5
6K036	1-35	9K739	1-38
6K041	1-11	9K740	1-36, 1-37, 1-38
6K051	1-41	9K741	1-38
6K056	1-3, 1-5		
6K057	1-3, 1-5		

Document Control Revision Log:

Date	Form #	Improvement(s): Description and Comments
05/2008	102rev5-5-08	Initial Release
10/2011		Improved Drawings, Translated to Landoll Format, Incorporated ECN 15602
03/2013	7K457rev0313	Added New Acre Meter Data
11/2016	7K457rev1116	Added Optional Turfmaker Sprocket, Improved Drawings
02/2021	7K457-0221	ECN 46903 - Added CAT2 Quick Coupler Hitch Adapter Kit Option
11/2023	7K457-2311	ECN 49189, 49285, 49288, 49305, 49332, 49393, 49402, 49417, 49503, 49482 - Lift Sling Kit, SMV, Quick Hitch Sleeves, Decal Update ECN 49297 - Acre Meter Bracket *Revision Format "Year/Date" Updated ISO logos to ISO 9001:2015 (Revised 04/2024)
05/2025	7K457-2505	ECN 50649 - Seed Box Assembly Couplers
06/2025	7K457-2506	ECN 50859 - 4 Channel Acre Meter Console Added Coil Tine Harrow - Full Width Assembly ECN 51206, 51207 - Agitator Box As Feature (Revised 08/2025) Blade Agitator Kits As Feature (Revised 12/2025) ECN 51876 - Wing Nut (Revised 04/2025)



intertek

Equipment from Landoll Company, LLC is built to
exacting standards ensured by ISO 9001:2015 registration
at all Landoll manufacturing facilities.

Landscape Grass Seeder Models LS5, LS6, LSP5, LSP6, LSS6 Parts Manual

Re-Order Part Number 7K457

LANDOLL COMPANY, LLC

1900 North Street

Marysville, Kansas 66508

(785) 562-5381

800-428-5655 ~ WWW.LANDOLL.COM



Copyright 2026. Landoll Company, LLC

“All rights reserved, including the right to reproduce this material or portions thereof in any form.”

