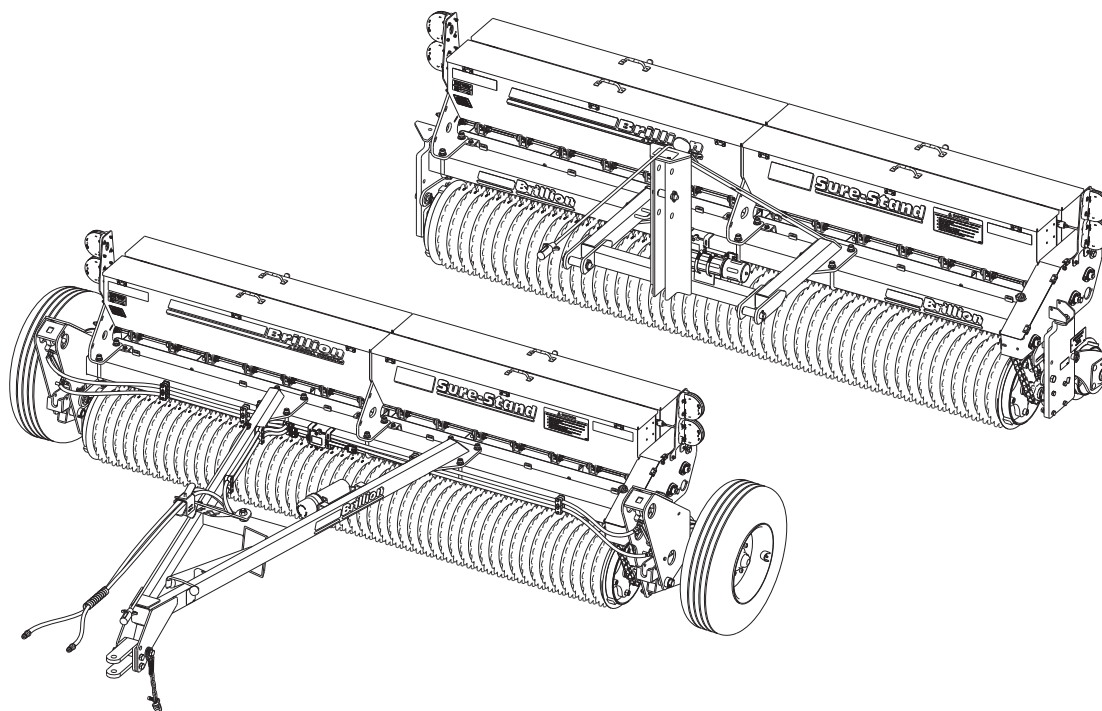




**Sure Stand Seeder
Models SSB8/SSB10/SSB12
SSBP8/SSBP10/SSBP12
Parts Manual**



LANDOLL COMPANY, LLC

1900 North Street

Marysville, Kansas 66508

(785) 562-5381

800-428-5655 ~ WWW.LANDOLL.COM

**Manuals for Sure Stand Seeder,
Models SSB8/SSB10/SSB12 and SSBP8/SSBP10/SSBP12**

Manual Number	Manual Type
1P480	Operator's Manual
1P481	Parts Manual

Table of Contents

1 Illustrated Parts List

Instructions for Ordering Parts	1-1
Drawbar w/Seed Box Mounting Components (AFT. 08/2025)	1-2
Drawbar w/Seed Box Mounting Components (BEF. 08/2025)	1-4
3-PT Hitch w/Seed Box Mounting Components (AFT. 08/2025)	1-6
3-PT Hitch w/Seed Box Mounting Components (BEF. 08/2025)	1-8
Deflectors, Shields, Brackets and Hardware (AFT. 08/2025)	1-10
Deflectors, Shields, Brackets and Hardware (BEF. 08/2025)	1-12
Wheel Arm Assembly	1-14
Hub and Spindle Assembly - 6 Bolt (AFTER 05/2021)	1-16
Hub and Spindle Assembly - 5 Bolt (BEFORE 05/2021)	1-17
Tire and Wheel Assembly - 6 Bolt (AFTER 05/2021)	1-18
Tire and Wheel Assembly - 5 Bolt (BEFORE 05/2021)	1-19
Hydraulic Layout (AFTER 08/2025)	1-20
Hydraulic Layout (BEFORE 08/2025)	1-22
Hydraulic Schematic	1-24
Wheel and Axle Assemblies	1-26
Front Roller, 3 - Bolt	1-28
Front Roller, 4 - Bolt	1-29
Rear Roller Assemblies	1-30
Rear Arm Assemblies	1-31
Transmission Mounting and Drive	1-32
Transmission Assembly	1-34
Transmission Assembly with Optional Clutch	1-38
Electric Clutch - Optional	1-42
Clutch Switch Box - Optional	1-44
Front Seed Box	1-46
Front Seed Box Assembly, Left-Hand	1-50
Front Seed Box Assembly, Right-Hand	1-52
Seed Meter Assembly, Left-Hand	1-54
Seed Meter Assembly, Right-Hand	1-55
Rear Seed Box	1-56
Rear Seed Box Assembly, Left-Hand - 8FT	1-60
Rear Seed Box Assembly, Right-Hand - 8FT	1-62

Rear Seed Box Assembly, Left-Hand - 10FT	1-64
Rear Seed Box Assembly, Right-Hand - 10FT	1-66
Rear Seed Box Assembly, Left-Hand - 12FT	1-68
Rear Seed Box Assembly, Right-Hand - 12FT	1-70
Cover Lock	1-72
Blade Agitator Kit	1-73
5-Strip Brush Agitator Kit - Optional	1-74
5-Strip Brush Agitator Assembly - 28"	1-75
5-Strip Brush Agitator Assembly - 22-1/2"	1-76
Agitator Cage - Optional	1-77
LED Warning Lamps - 8FT, 10FT (AFTER 08/2025)	1-78
LED Warning Lamps - 8FT, 10FT (09/2013 TO 08/2025)	1-80
LED Warning Lamps - 12FT (AFTER 08/2025)	1-82
LED Warning Lamps - 12FT (09/2013 TO 08/2025)	1-84
LED Warning Lamps - SD Models (AFTER 08/2025)	1-86
LED Warning Lamps - SD, Drawbar (09/2013 TO 08/2025)	1-88
LED Warning Lamps - SD, 3-PT (09/2013 TO 08/2025)	1-90
Warning Lamps (BEFORE 08/2013)	1-92
Scraper Kit, 8FT Tube Mounted - Optional	1-94
Scraper Kit, 10FT Tube Mounted - Optional	1-95
Scraper Kit, 12FT Tube Mounted - Optional	1-96
Scraper Kit, Angle Mounted - Optional	1-98
S-Tine Tire Track Remover Kit - Optional	1-100
Coil Tine Track Remover Kit - Optional	1-102
Speed-Up Kit - Optional	1-104
Brillion Elite Mini Monitor Kit - Optional	1-105
Console w/Clutch Control Kit - Optional	1-110
Electronic Acre Meter Assembly - Optional	1-114
Acre Meter Assembly (AFTER 06/01/2025)	1-115
Acre Meter Assembly (05/15/2012 TO 06/01/2025)	1-116
Acre Meter Assembly (BEFORE 05/15/2012)	1-117
Small Meter Seed Box Divider Kit - Optional	1-118
Agitator Seed Box Divider Kit - Optional	1-119
Hydraulic Cylinder, 2-1/2 x 6 - Lion (AFT. 01/15/2008)	1-120
Hydraulic Cylinder, 2-1/2 x 6 - Hydraulic Gear (BEF. 01/14/2008)	1-121
Weather Pack Connectors	1-122
AMP Connectors	1-123

Decals - Seeder Models 1-124

Decal Placement - Hitch 1-127

Decal Placement - 8FT Model 1-128

Decal Placement - 10FT Model 1-130

Decal Placement - 12FT Model 1-132

Decals - SD / SDP Models 1-135

Decal Placement - SD Model (AFTER 08/2025) 1-136

Decal Placement - SDP Model (AFTER 08/2025) 1-137

Decal Placement - SD Model (BEFORE 08/2025) 1-138

Decal Placement - SDP Model (BEFORE 08/2025) 1-141

2 Glossary

3 Index

Illustrated Parts List

Instructions for Ordering Parts

**** Repair parts must be ordered through an authorized dealer ****

DEALER INSTRUCTIONS FOR ORDERING PARTS FROM LANDOLL PARTS DISTRIBUTION CENTER

PHONE: 800-423-4320 OR 785-562-5381

FAX: 888-527-3909

ORDER ONLINE: Dealer.landoll.com

DATA PLATE

The Data Plate, which lists the model and serial number of the equipment, is located on the right front side of the Sure Stand Seeder.

SERIAL NUMBER NOMENCLATURE

The following information will help decode the Landoll serial number.

ASD2100100 = xxmysssss

xx	= model series (i.e. "AS" for all Agricultural Seeders)
m	= month of manufacture (ex. "D" means April. The letter I is not used.)
yy	= last digits of the year manufactured (ex. "21" means 2021)
sssss	= Sequential number used to track warranty and service information.

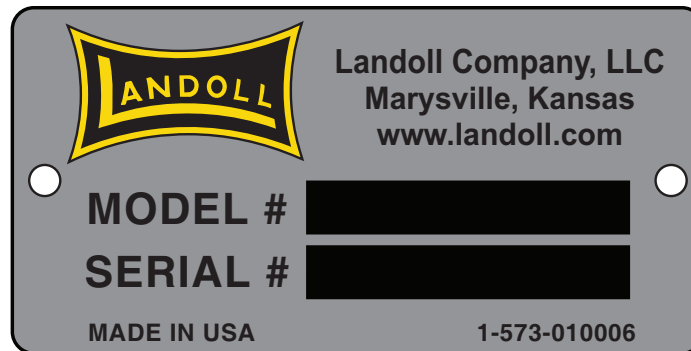


Figure 1-1: Data Plate

Drawbar w/Seed Box Mounting Components (AFT. 08/2025)

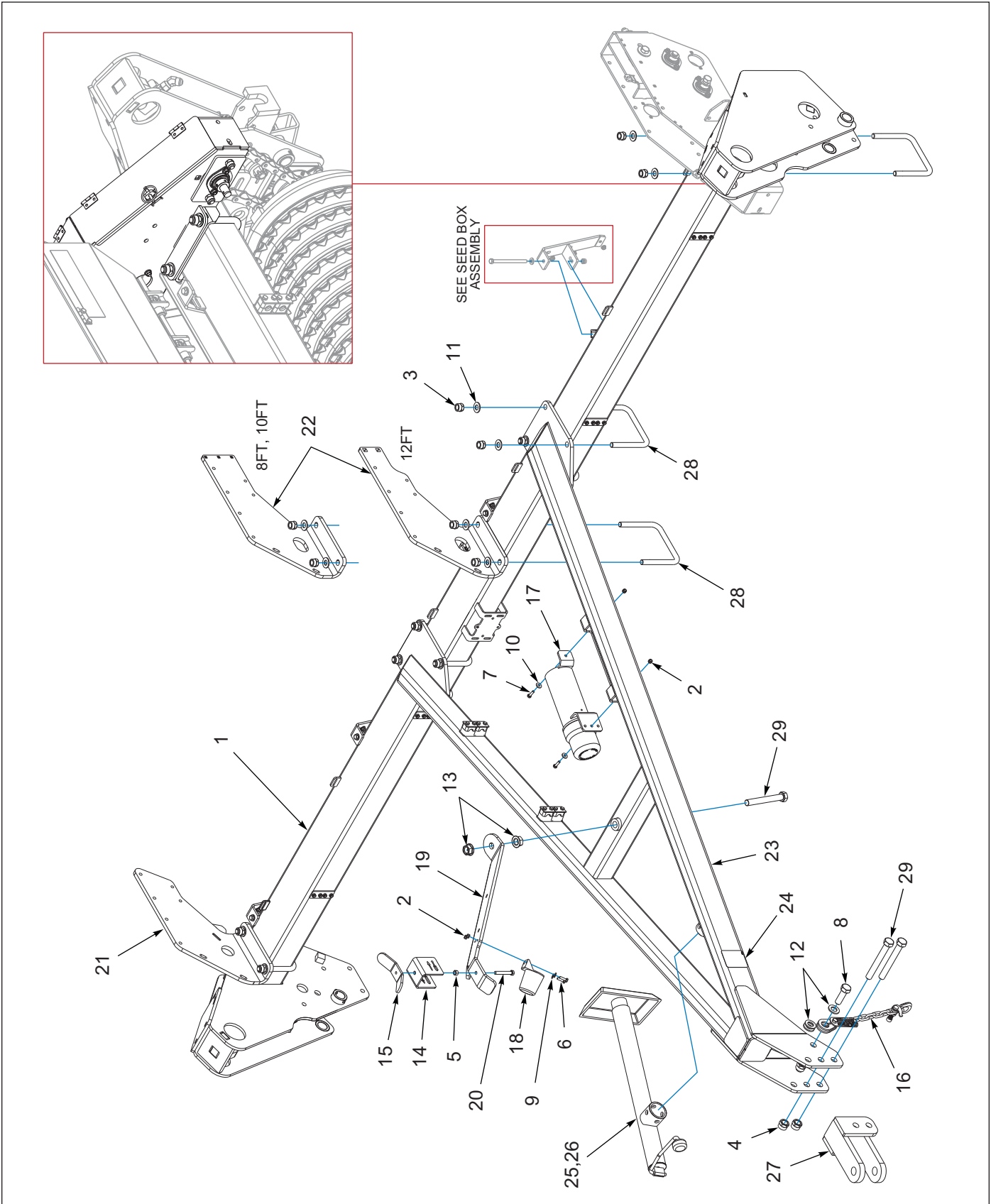


Figure 1-2: Drawbar w/Seed Box Mounting Components (AFT. 08/2025)

Drawbar w/Seed Box Mounting Components (AFT. 08/2025)

ITEM	PART NUMBER	DESCRIPTION	QTY
1	1K020	8' PULL TYPE FRAME	1
1	9J311	10' PULL TYPE FRAME	1
1	2K456	FRAME-PULL TYPE, 12 FT, WLDMT	1
2	1-512-010005-01	NUT, HEX, SLFLKG GRB 1/4-20	4
3	1-512-010005-13	NUT, HEX SLFLKG GRB 5/8-11	14
4	1-512-010005-15	NUT, HEX SLFLKG GRB 3/4-10	3
5	1-512-010007-07	NUT, HEX 3/8-16, ZP	1
6	1-654-010047-05	SCREW, HX CP 1/4-20UNCx7/8 GR5	2
7	1-654-010047-06	SCREW, HX CP 1/4-20UNCX1 GR5	2
8	1-654-010061-06	SCREW, HXCP, 3/4-10UNCX2-1/4GR5	1
9	1-861-010032-06	WASHER, FLAT 1/4 N ZP/CD	2
10	1-861-010032-07	WASHER, FLAT 1/4 ZP	2
11	1-861-010032-18	WASHER, FLAT 5/8 N ZP/CD	16
12	1-861-010032-20	WASHER, FLAT, 3/4 N ZP/CD	3
13	103841	NUT, FLG, LNK, SERRATED 3/4-10UNC	2
14	141247	CLAMP, HOSE HOLDER	1
15	141249	WING NUT, HOSE HOLDER	1
16	141433	SAFETY CHAIN 11,000LB	1
17	142753	MANUAL HOLDER	1
18	2-368-010287	HARNESS, STOR-A-WAY	1
19	200829	BRACKET, HOSE HOLDER	1
20	247351	SCREW, 3/8-16 UNC HHC FULL THRD	1
21	242874	SUPPORT-END, RH, WELDMENT	1
22	242873	PLATE-SUPPORT, SEEDBOX (CENTER SUPPORT) (8FT, 10FT)	1
22	247451	PLATE-SUPPORT, HOPPER (CENTER SUPPORT) (12FT)	1
23	247373	HITCH-SEEDER, WELDMENT	1
24	3K706	DECAL-WARNING HYDRAULIC LEAKS	1
25	4J867	DRAWBAR JACK (INCLUDES ITEM 26) (NOT SHOWN)	1
26	6K458	9/16 JACK PIN W/CHAIN & SCREW (REPLACEMENT PIN)	1
27	4K636	HITCH	1
28	7J990	U-BOLT, 5/8-11 X 6-11/16 X 5-1/2	7
29	W908409-4	SCR 3/4-10 X 6 HEX HD CAP	3

Drawbar w/Seed Box Mounting Components (BEF. 08/2025)

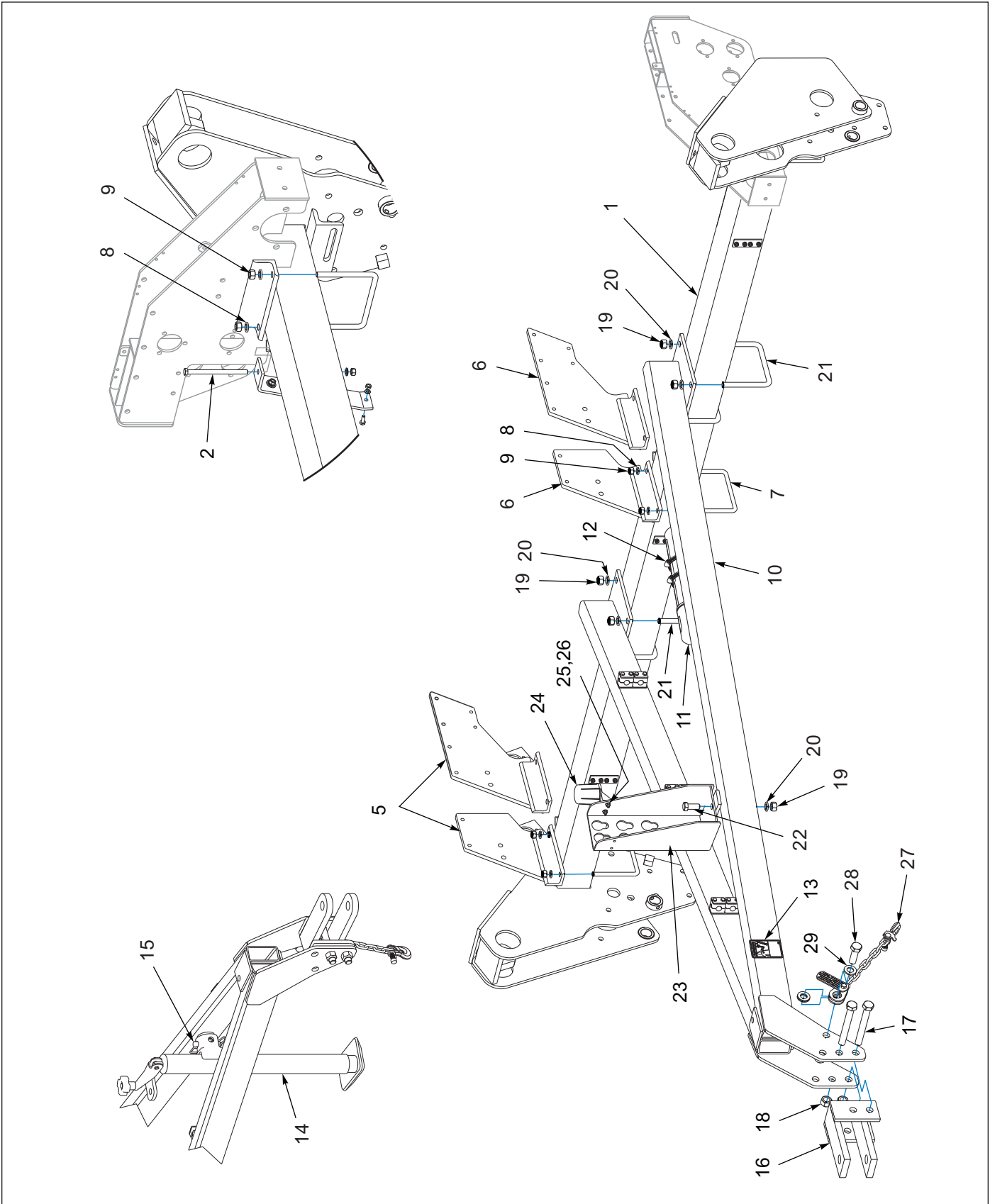


Figure 1-3: Drawbar w/Seed Box Mounting Components (BEF. 08/2025)

Drawbar w/Seed Box Mounting Components (BEF. 08/2025)

ITEM	PART NUMBER	DESCRIPTION	QTY
1	1K020	8' PULL TYPE FRAME	1
1	9J311	10' PULL TYPE FRAME	1
1	2K456	FRAME-PULL TYPE, 12 FT, WLDMT	1
2	185216	SCREW, HEX CAP 3/8-16 X 5-1/4, GR5	4
3	1-861-010034-11	WASHER, LKG HLCL SPR, 3/8	8
4	1-512-010007-07	NUT, HEX 3/8-16, ZP	4
5	9J362	R.H. SUPPORT (SINGLE BOX)	1
5	9K854	END SUPPORT, RH (DOUBLE BOX)	1
6	9J359	CENTER SUPPORT (SINGLE BOX)	1
6	9K853	CENTER SUPPORT (DOUBLE BOX)	1
7	4J918	U-BOLT, 1/2 X 5-1/4 X 6-1/16	3
8	1-861-010034-13	WASHER, LKG HLCL SPR, 1/2	6
9	1-512-010007-09	NUT, HEX 1/2-13, ZP	6
10	9J353	DRAWBAR ASSEMBLY (INCLUDES ITEM 13)	1
11	1-116-010019	BOX, MANUAL STORAGE	1
12	105-0093	HOSE CLAMP 4-1/2 IDEAL #5264	2
13	3K706	DECAL-WARNING HYDRAULIC LEAKS	1
14	4J867	DRAWBAR JACK (INCLUDES ITEM 15)	1
15	6K458	9/16 JACK PIN W/CHAIN & SCREW (REPLACEMENT PIN)	1
16	4K636	HITCH	1
17	W908409-4	SCR 3/4-10 X 6 HEX HD CAP	2
18	1-512-010005-15	NUT, HEX SLFLKG GRB 3/4-10	3
19	1-512-010007-11	NUT, HEX 5/8-11 GR2, ZP	9
20	1-861-010034-15	WASHER, LKG HLCL SPR, 5/8	9
21	7J990	U-BOLT, 5/8-11 X 6-11/16 X 5-1/2	4
22	1-654-010059-03	SCREW 5/8-11UNC X 1-1/2 HXCP, G5	1
23	8K885	HOSE HOLDER	1
24	8K664	CONNECTOR HOLDER (7-PIN AG)	1
25	1-654-010047-04	SCREW, HEX CAP, 1/4-20 X 3/4, GR5	2
26	108417	NUT SPIRAL 1/4-20HX FG	2
27	141433	SAFETY CHAIN 11,000LB	1
28	1-654-010061-06	SCREW, HXCP, 3/4-10UNC X 2-1/4, GR5	1
29	1-861-010032-20	WASHER, FLAT, 3/4 N ZP/CD	3

3-PT Hitch w/Seed Box Mounting Components (AFT. 08/2025)

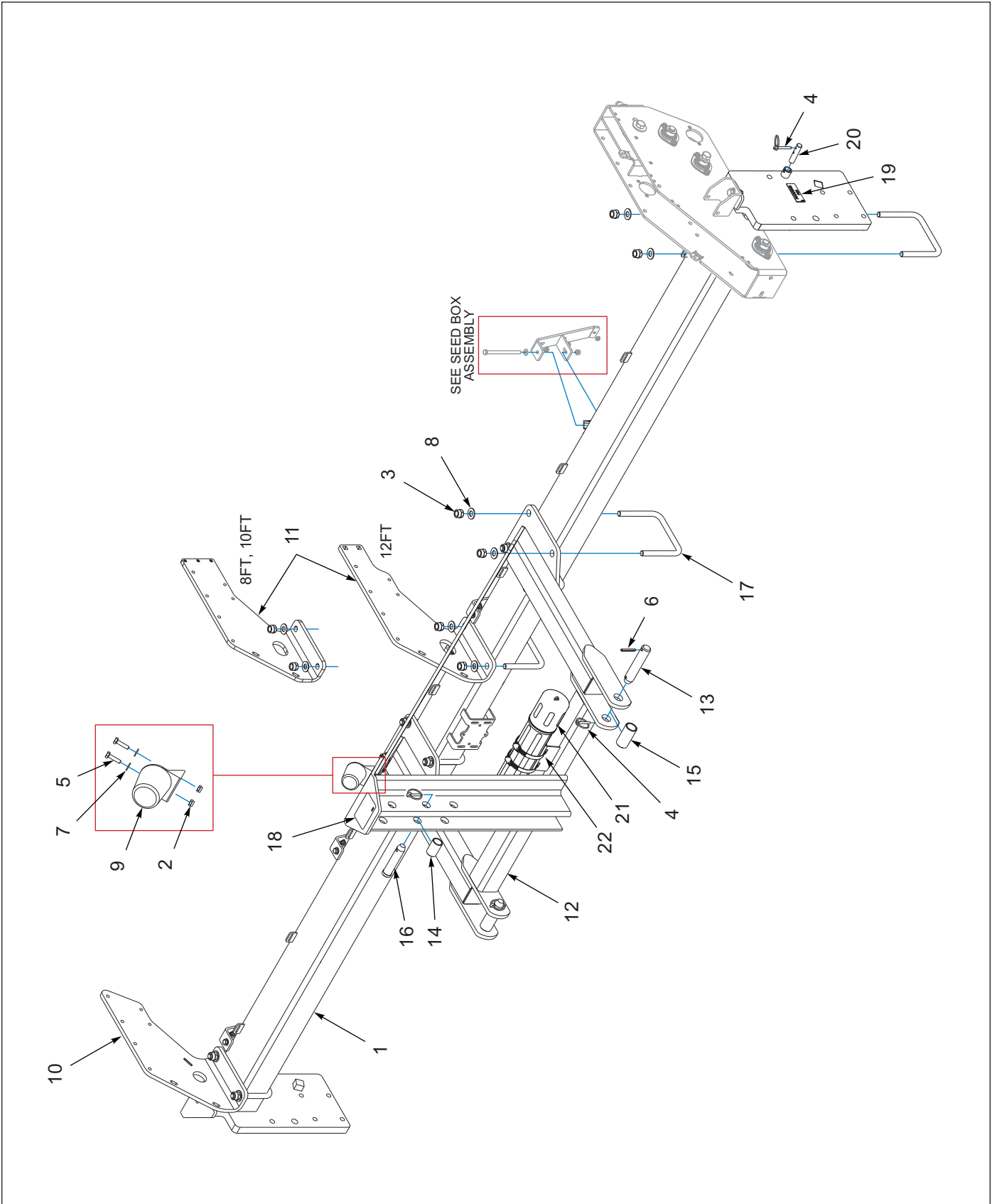


Figure 1-4: 3-PT Hitch w/Seed Box Mounting Components (AFT. 08/2025)

3-PT Hitch w/Seed Box Mounting Components (AFT. 08/2025)

ITEM	PART NUMBER	DESCRIPTION	QTY
1	6K647	8' PICK UP SEEDER FRAME	1
1	6K646	10' PICK UP SEEDER FRAME	1
1	6K648	FRAME-PICKUP, 12 FT, WLDMNT	1
2	1-512-010005-01	NUT,HEX,SLFLKG GRB 1/4-20	2
3	1-512-010005-13	NUT,HEX SLFLKG GRB 5/8-11	14
4	1-557-010327	PIN LYNCH 1/4X1-1/4	3
5	1-654-010047-06	SCREW,HX CP 1/4-20UNCX1 GR5	2
6	1-647-010004221	PIN,SPRING 1/4X2 SLOTTED	2
7	1-861-010032-06	WASHER, FLAT 1/4 N ZP/CD	2
8	1-861-010032-18	WASHER, FLAT 5/8 N ZP/CD	14
9	2-368-010287	HARNESS, STOR-A-WAY	1
10	242874	SUPPORT-END, RH, WELDMNT	1
11	242873	PLATE-SUPPORT, SEEDBOX (CENTER SUPPORT) (8FT, 10FT)	1
11	247451	PLATE-SUPPORT, HOPPER (CENTER SUPPORT) (12FT)	1
12	247496	HITCH-THREE POINT, WELDMNT	1
13	5D156	PIN ASSEMBLY 1-1/8 X 5-3/4	2
14	5D157	SLEEVE (1.032 X 1.25 X 1.938)	1
15	5D158	SLEEVE (1.156 X 1.438 X 2.875)	2
16	6D529	CLEVIS PIN (1 X 4-1/2)	1
17	7J990	U-BOLT 5/8-11 X 6-11/16 X 5-1/2	7
18	9J302	DECAL CAUTION PARK PIN	1
19	9J301	DECAL - 'PARKING PIN'	1
20	6K649	PIN (OFFSET 5/8 X 2-15/16)	1
21	1-116-010019	BOX, MANUAL STORAGE	1
22	105-0093	HOSE CLAMP 4-1/2 IDEAL #5264	2

3-PT Hitch w/Seed Box Mounting Components (BEF. 08/2025)

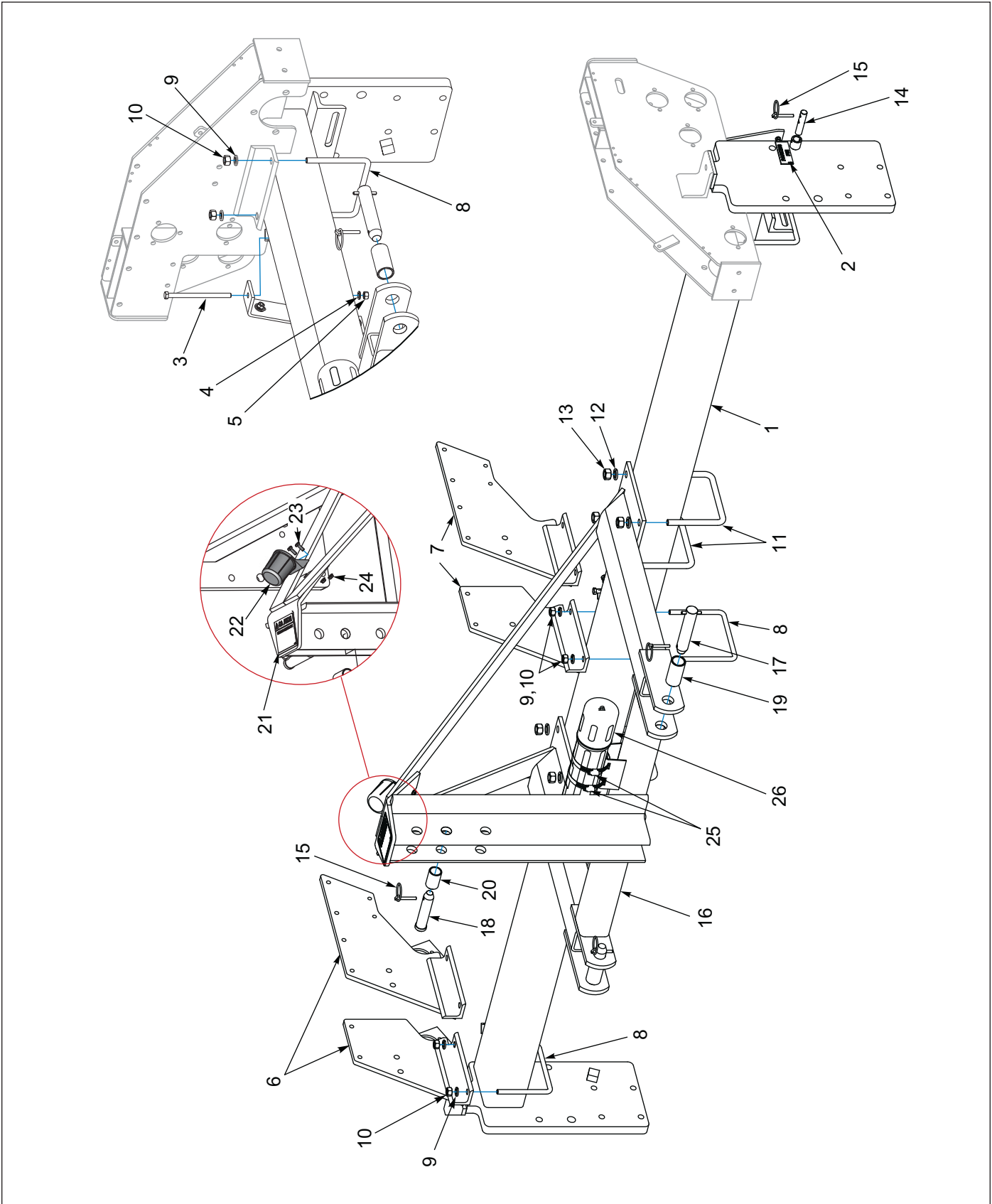


Figure 1-5: 3-PT Hitch w/Seed Box Mounting Components (BEF. 08/2025)

3-PT Hitch w/Seed Box Mounting Components (BEF. 08/2025)

ITEM	PART NUMBER	DESCRIPTION	QTY
1	6K647	8' PICK UP SEEDER FRAME	1
1	6K646	10' PICK UP SEEDER FRAME	1
1	6K648	12' PICK UP SEEDER FRAME	1
2	9J301	DECAL - 'PARKING PIN'	1
3	2K704	SCREW HEX CAP 3/8-16UNC X 5-1/2	4
4	1-861-010034-11	WASHER, LKG HLCL SPR, 3/8	8
5	1-512-010007-07	NUT, HEX 3/8-16, ZP	4
6	9K854	END SUPPORT, RH (DOUBLE BOX)	1
6	9J362	R.H. SUPPORT (SINGLE BOX)	1
7	9K853	CENTER SUPPORT (DOUBLE BOX)	1
7	9J359	CENTER SUPPORT (SINGLE BOX)	1
8	4J918	U-BOLT 1/2 X 5-1/4 X 6-1/16	3
9	1-861-010034-13	WASHER, LKG HLCL SPR, 1/2	6
10	1-512-010007-09	NUT, HEX 1/2-13, ZP	6
11	7J990	U-BOLT 5/8-11 X 6-11/16 X 5-1/2	4
12	1-861-010034-15	WASHER, LKG HLCL SPR, 5/8	8
13	1-512-010007-11	NUT, HEX 5/8-11 GR2, ZP	8
14	6K649	PIN (OFFSET 5/8 X 2-15/16)	1
15	1-557-010327	PIN LYNCH 1/4X1-1/4	1
16	9J442	THREE POINT HITCH	1
17	5D156	PIN ASSEMBLY 1-1/8 X 5-3/4	2
18	6D529	CLEVIS PIN (1 X 4-1/2)	1
19	5D158	SLEEVE (1.156 X 1.438 X 2.875)	2
20	5D157	SLEEVE (1.032 X 1.25 X 1.938)	1
21	9J302	DECAL - 'CAUTION'	1
22	8K664	HOLDER, CONNECTOR (105728) (7-PIN AG)	1
23	1-654-010047-04	HHCS 1/4-20 X 3/4 GR2, ZP	2
24	108417	NUT SPIRAL 1/4-20HX FG	2
25	105-0093	HOSE CLAMP 4-1/2 IDEAL #5264	2
26	1-116-010019	BOX, MANUAL STORAGE	1

Deflectors, Shields, Brackets and Hardware (AFT. 08/2025)

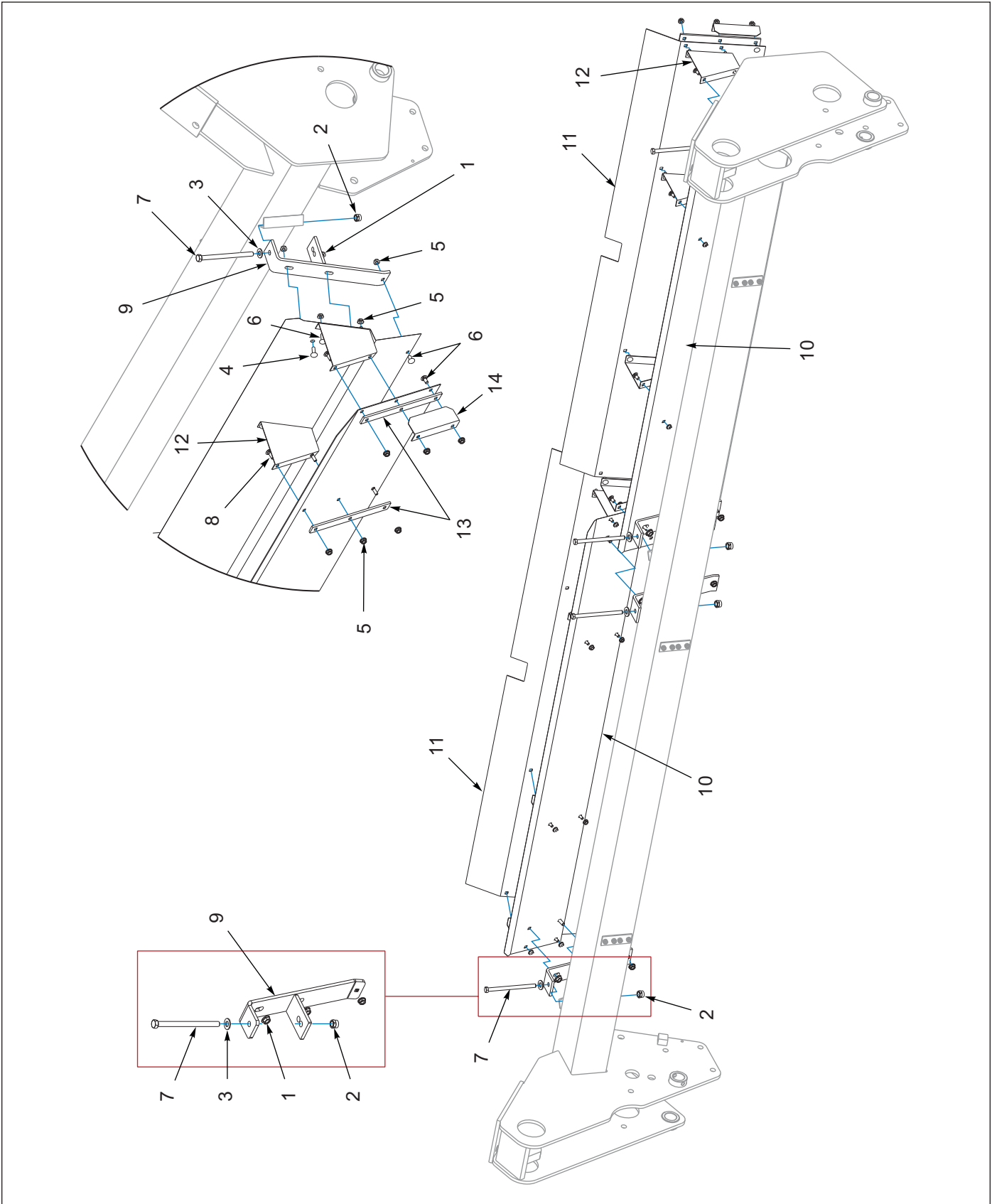


Figure 1-6: Deflectors, Shields, Brackets, and Hardware (AFT. 08/2025)

Deflectors, Shields, Brackets and Hardware (AFT. 08/2025)

ITEM	PART NUMBER	DESCRIPTION	QTY		
			8'	10'	12'
		MODELS	8'	10'	12'
	250111	DEFLECTOR-REAR, 8 FT	1	--	--
	250110	DEFLECTOR-AG SS, 5FT, ASM (PART TABLE SHOWS TOTALS OF 2 ASM)	--	2	--
	250109	DEFLECTOR-AG SS, 6FT, ASM (PART TABLE SHOWS TOTALS OF 2 ASM)	--	--	2
1	1-510-010004-03	NUT HX FLANGE, 5/16-18 GR8	6	8	12
2	1-512-010005-05	NUT, HEX, SLFLKG GRB 3/8-16	3	4	6
3	1-861-010032-10	WASHER, FLAT 3/8" N ZP/CD	3	4	6
4	105909	SCREW, RDHD, SQNCK, 5/16-18X3/4	6	8	12
5	108417	NUT, SPIRAL 1/4-20HX FG	28	44	46
6	111-1252	BOLT, CARRIAGE 1/4-20X5/8	18	28	30
7	185216	SCREW, HEX CAP 3/8-16UNC X 5-1/4, GR5	3	4	6
8	247493	SCREW, RDHD SHRT NK, 1/4-20X1/2	10	16	16
9	2K490	BRACKET-MOUNT, DEFLECTOR, WELD	3	4	6
10	2K771	DEFLECTOR-FRONT, 8 (8FT LG)	1	--	--
10	2K775	DEFLECTOR-FRONT, 5 (5FT LG)	--	2	--
10	2K485	DEFLECTOR-FRONT, 6 (6FT LG)	--	--	2
11	2K772	DEFLECTOR-REAR, 8 (8FT LG)	1	--	--
11	2K776	DEFLECTOR-REAR, 5 (5FT LG)	--	2	--
11	2K486	DEFLECTOR-REAR, 6 (6FT LG)	--	--	2
12	2K487	DEFLECTOR-END	5	8	8
13	2K489	PLATE-BACKER, DEFLECTOR	5	8	8
14	2K488	SHIELD-END, OUTSIDE	2	2	2

Deflectors, Shields, Brackets and Hardware (BEF. 08/2025)

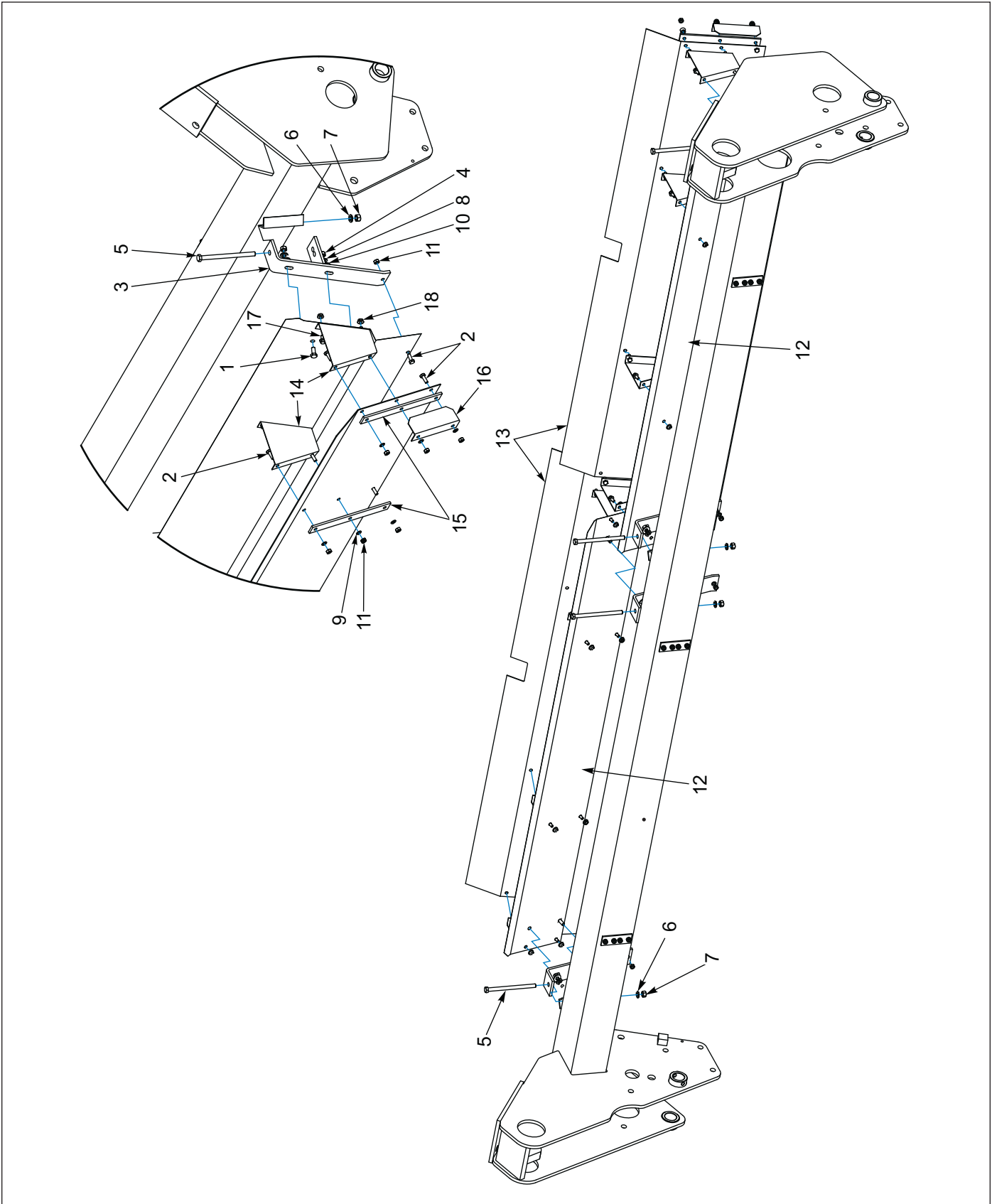


Figure 1-7: Deflectors, Shields, Brackets, and Hardware (BEF. 08/2025)

Deflectors, Shields, Brackets and Hardware (BEF. 08/2025)

ITEM	PART NUMBER	DESCRIPTION	QTY		
			8'	10'	12'
		MODELS	8'	10'	12'
1	1-654-010049-03	SCREW HX CP 5/16-18 X 3/4, GR5	6	8	12
2	1-654-010047-04	SCREW, HEX CAP 1/4-20 X 3/4, GR5	18	28	30
3	2K490	BRACKET-MOUNT, DEFLECTOR,WELD	3	4	6
4	1-512-010007-06	NUT, HEX 5/16-18	6	8	12
5	185216	SCREW, HEX CAP 3/8-16UNC X 5-1/4, GR5	3	4	6
6	1-861-010034-11	WASHER, LKG HLCL SPR, 3/8	6	8	12
7	1-512-010007-07	NUT, HEX 3/8-16, ZP	6	8	12
8	1-861-010034-10	WASHER, LKG 5/16	3	4	6
9	1-861-010034-09	WASHER, LKG HLCL SPR, 1/4	20	28	30
10	1-861-010032-09	WASHER, FLAT 5/16 W, ZP/CD	6	8	12
11	1-512-010007-05	NUT, HEX 1/4-20	20	28	30
12	2K771	DEFLECTOR-FRONT, 8 (8FT LG)	1	--	--
12	2K775	DEFLECTOR-FRONT, 5 (5FT LG)	--	2	--
12	2K485	DEFLECTOR-FRONT, 6 (6FT LG)	--	--	2
13	2K772	DEFLECTOR-REAR, 8 (8FT LG)	1	--	--
13	2K776	DEFLECTOR-REAR, 5 (5FT LG)	--	2	--
13	2K486	DEFLECTOR-REAR, 6 (6FT LG)	--	--	2
14	2K487	DEFLECTOR-END	5	8	8
15	2K489	PLATE-BACKER, DEFLECTOR	5	8	8
16	2K488	SHIELD-END, OUTSIDE	2	2	2
17	7J140	SCREW 1/4-20 x 1/2 (FLANGED)	10	16	16
18	108417	NUT, SPIRAL 1/4-20HX FG	10	16	16

Wheel Arm Assembly

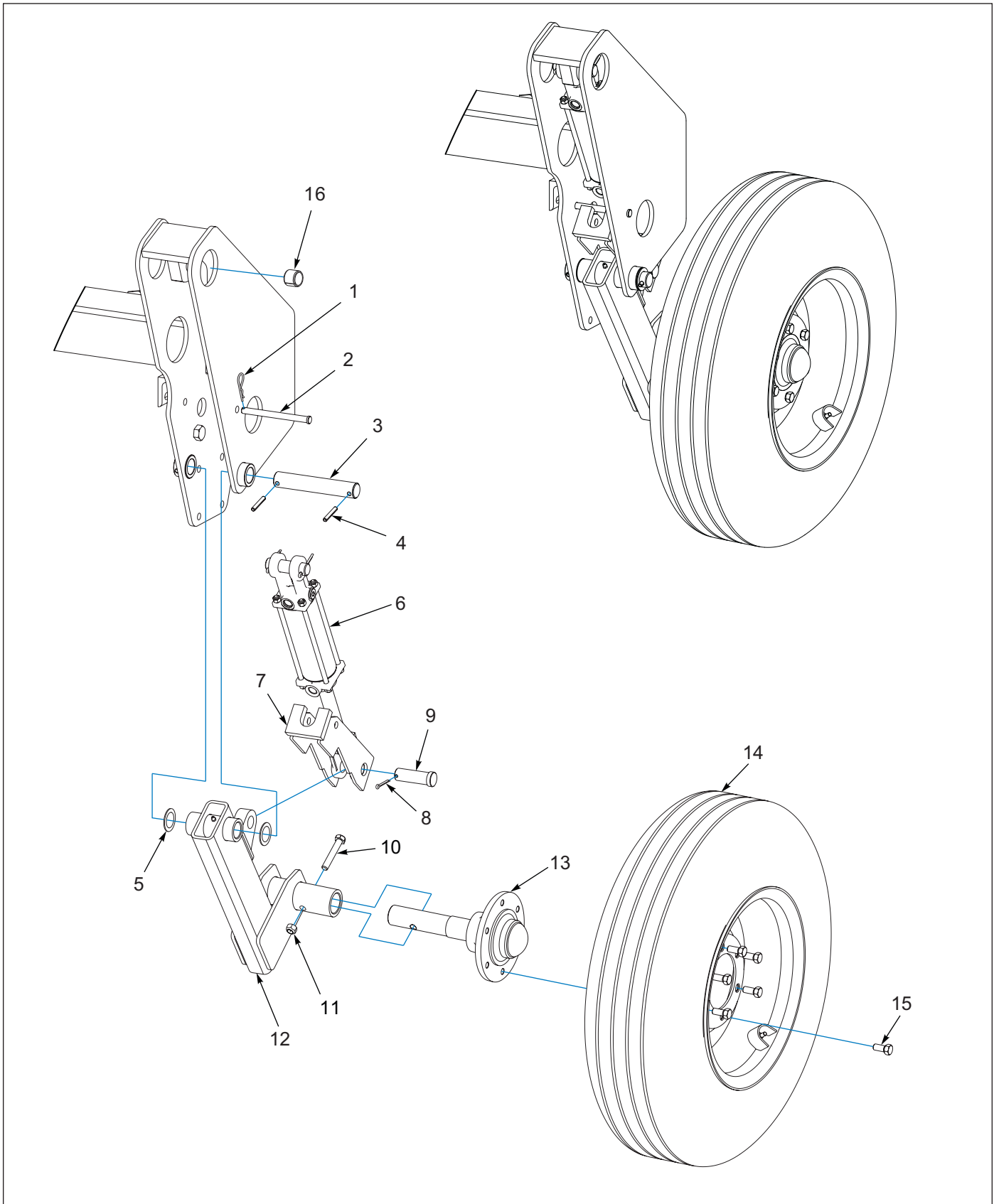


Figure 1-8: Wheel Arm Assembly

Wheel Arm Assembly

ITEM	PART NUMBER	DESCRIPTION	QTY
1	1-557-010403	HAIRPIN 1/8	2
2	9J437	CLEVIS PIN, 1/2 X 6	2
3	9J400	WHEEL ARM PIN (1.25 X 7.313 H2)	2
4	147072	PIN, SPRING SLOTTED 5/16 X 2	4
5	253726	BUSHING,SS, 1.26 X 1.88 X 0.05 (AFTER 08/2025)	4
5	4J548	MACHINERY BUSHING (1.25 X 1.875 X 14GA) (BEFORE 08/2025)	4
6	9J440	HYD CYLINDER - 2 1/2 X 6 (SEE PAGE 1-120)	2
7	7J127	CYLINDER LOCKOUT	2
8	1-557-010362-51	PIN, COTTER 3/16 X 1-1/2	2
9	2D799	CLEVIS PIN (1.0 X 3.0)	2
10	1-654-010055-09	SCREW, HX CP, 1/2-13UNC X 3, GR5	2
11	1-512-010005-09	NUT, HEX, SLFLKG, 1/2-13 GRB	2
12	9J324	ARM-WHEEL, LH, WELDMENT (SHOWN)	1
12	9J325	ARM-WHEEL, RH, WELDMENT	1
13	234173	HUB & SPINDLE ASM,1-5/8,6BLT (AFTER 05/2021) (SEE PAGE 1-16)	2
13	9J331	HUB & SPINDLE ASY (5 BOLT) (BEFORE 05/2021) (SEE PAGE 1-17)	2
14	6K919	WHEEL 8J790/NO TUBE/6D312 (6 BOLT) (AFTER 05/2021) (9.5L X 15 - 8 PLY) (SEE PAGE 1-18)	2
14	6K926	WHEEL 8J790/NO TUBE/6J189 (5 BOLT) (01/2008 TO 05/2021) (9.5L X 15 - 8 PLY) (SEE PAGE 1-19)	2
14	6K911	WHEEL 8J789/NO TUBE/4C129 (5 BOLT) (BEFORE 01/2008) (7.60 X 15 - 6 PLY) (SEE PAGE 1-19)	2
15	5C100	WHEEL BOLT 1/2-20X1 GR5ZP	12
16	2-150-010008	BUSHING 1-1/4ODX1IDX1 STEEL (AFTER 08/2025)	2

Hub and Spindle Assembly - 6 Bolt (AFTER 05/2021)

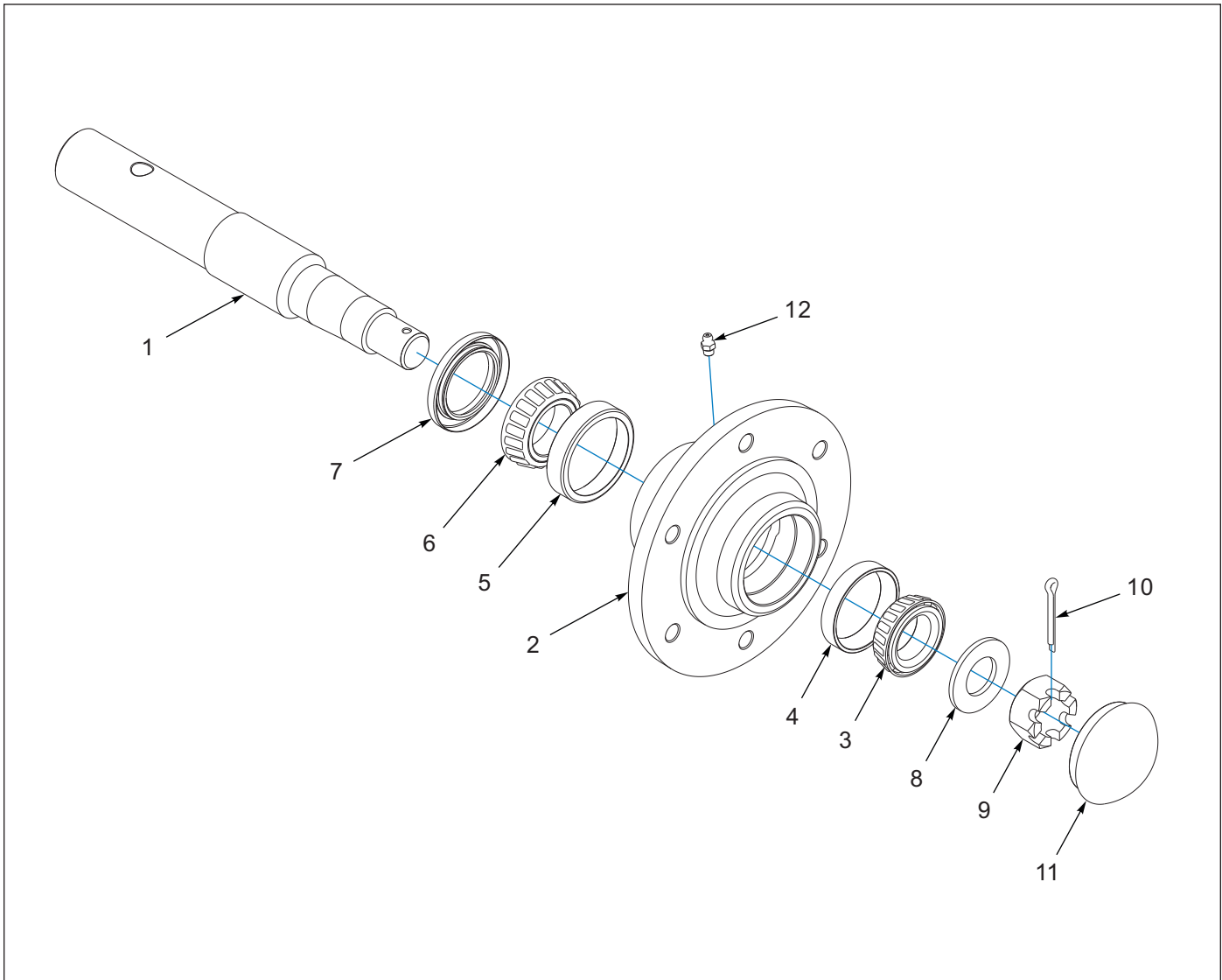


Figure 1-9: Hub and Spindle Assembly - 6 Bolt (AFTER 05/2021)

Hub and Spindle Assembly - 6 Bolt (AFTER 05/2021)

ITEM	PART NUMBER	DESCRIPTION	QTY
	234173	HUB & SPINDLE ASM,1-5/8,6BLT	1
1	234174	SPINDLE,1-5/8 STEPPED	1
2	6D336	WHEEL HUB - 6 BOLT (7002537)	1
3	1-076-010007	CONE INNER	1
4	1-076-010010	CUP INNER	1
5	2107649	BEARING,CUP,1.375X2.563X.71	1
6	712099	BEARING,CONE,1.375X2.563X.71	1
7	6D338	SEAL	1
8	1-861-010032-24	WASHER FL 1IN NARROW ZP	1
9	1-516-010001-20	NUT, HX SLOT 1-14	1
10	1-557-010362-51	PIN, COTTER 3/16X1-1/2	1
11	1-161-010003	CAP 6BOLT HUB	1
12	1-298-010001-1	ZERK FITTING 1/4 SAE (INCLUDED WITH HUB, ITEM 2)	1

Hub and Spindle Assembly - 5 Bolt (BEFORE 05/2021)

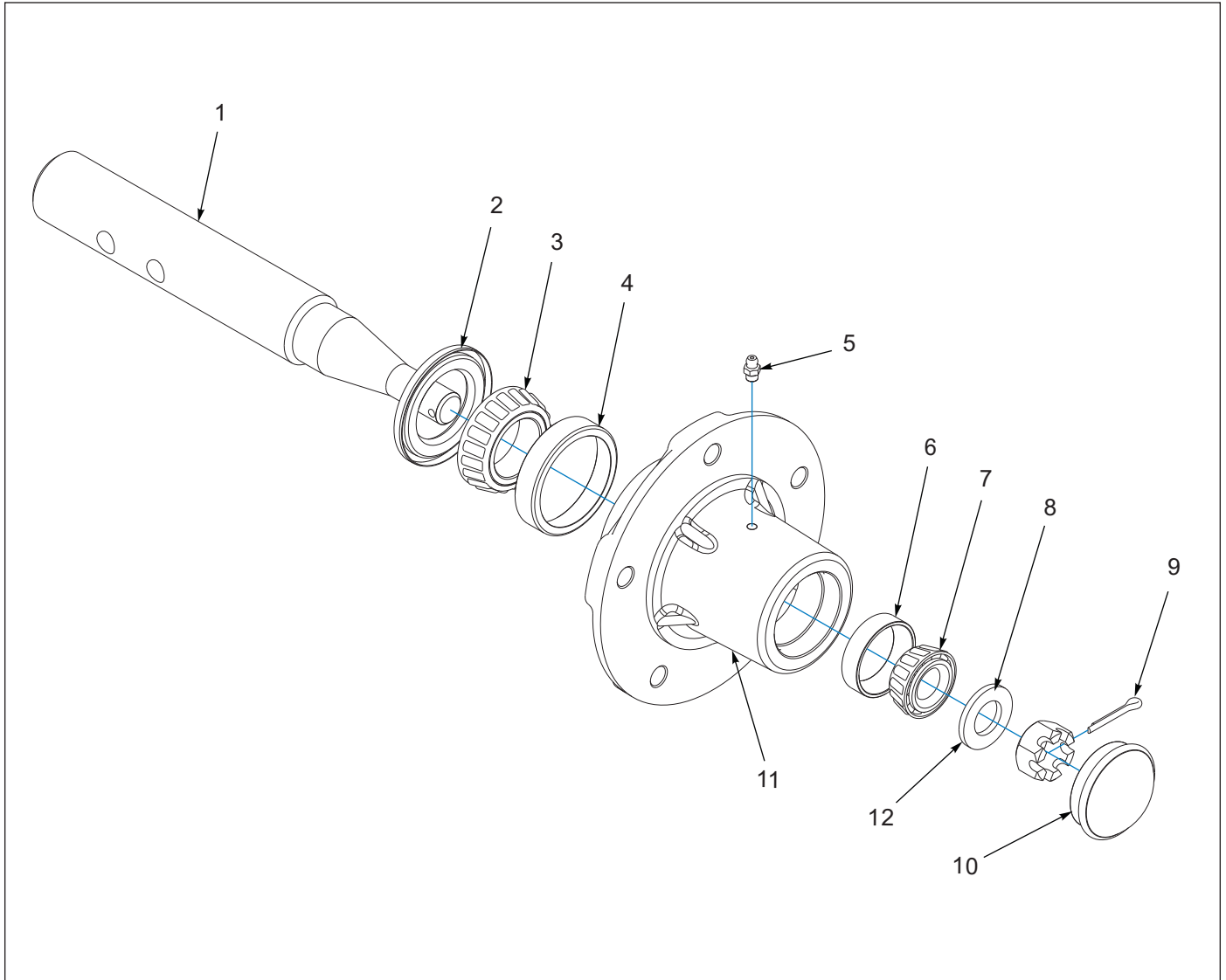


Figure 1-10: Hub and Spindle Assembly - 5 Bolt (BEFORE 05/2021)

Hub and Spindle Assembly - 5 Bolt (BEFORE 05/2021)

ITEM	PART NUMBER	DESCRIPTION	QTY
	9J331	HUB & SPINDLE ASY	1
1	9J330	SPINDLE	1
2	1D273	SEAL	1
3	5C480	CONE, BEARING	1
4	5C479	CUP, BEARING	1
5	1-298-010001-1	ZERK FITTING 1/4 SAE	1
6	5C912	CUP, BEARING	1
7	1-076-010008	OUTER CONE 4-BOLT HUB	1
8	3/4-16HSN	HEX SLOTTED NUT	1
9	110-0344	5/32 X 1 COTTER PIN	1
10	1J463	HUB CAP	1
11	1J390	WHEEL HUB - 5 BOLT	1
12	1-861-010032-20	WASHER, FLAT, 3/4 N ZP/CD	1

Tire and Wheel Assembly - 6 Bolt (AFTER 05/2021)

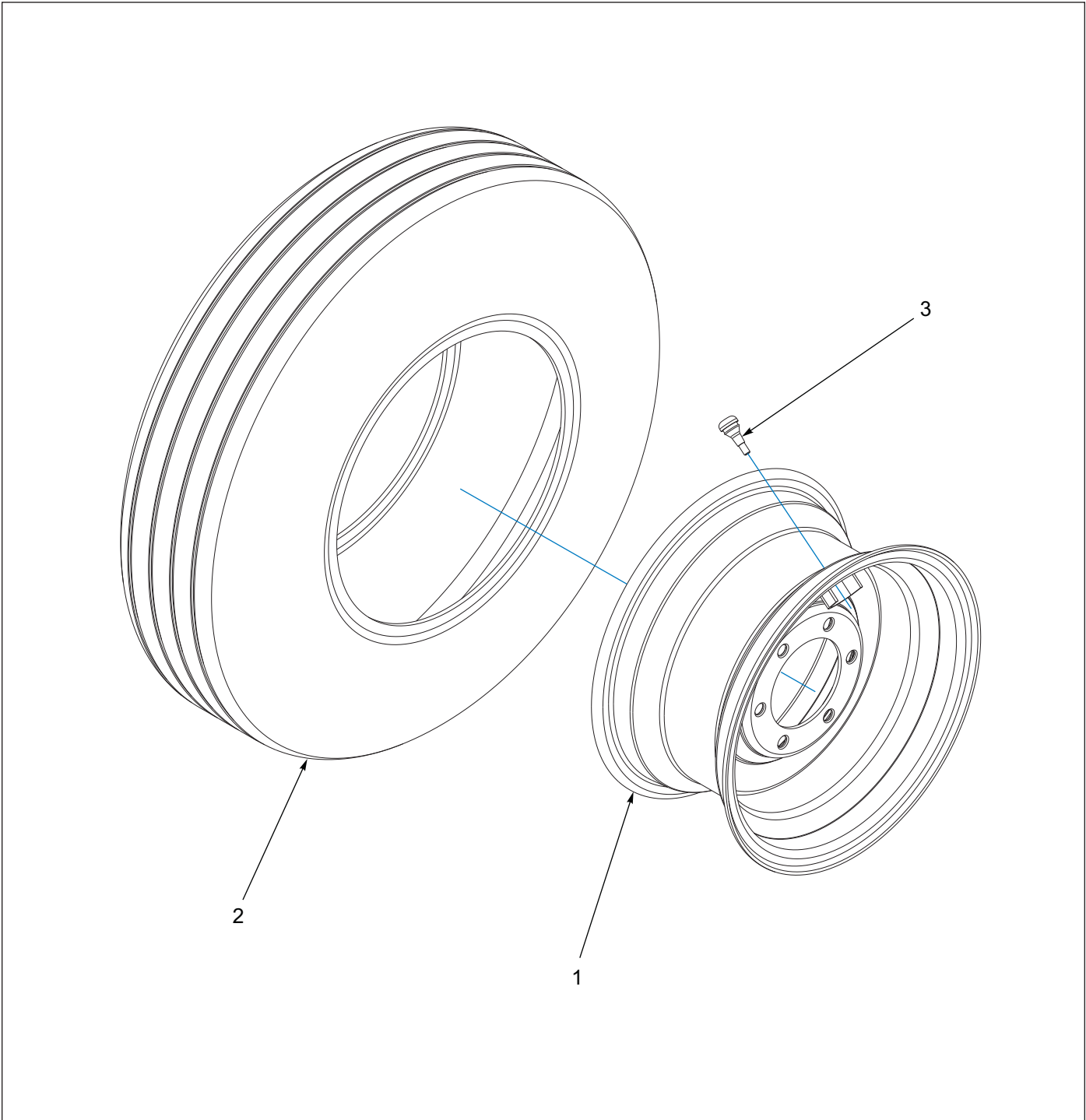


Figure 1-11: Tire and Wheel Assembly - 6 Bolt (AFTER 05/2021)

Tire and Wheel Assembly - 6 Bolt (AFTER 05/2021)

ITEM	PART NUMBER	DESCRIPTION	QTY
	6K919	WHEEL 8J790/NO TUBE/6D312	1
1	6D312	WHEEL, W/VALVE GUARD	1
2	8J790	TIRE - 9.5L X 15 - 8 PLY	1
3	8J792	VALVE STEM-TUBELESS	1

Tire and Wheel Assembly - 5 Bolt (BEFORE 05/2021)

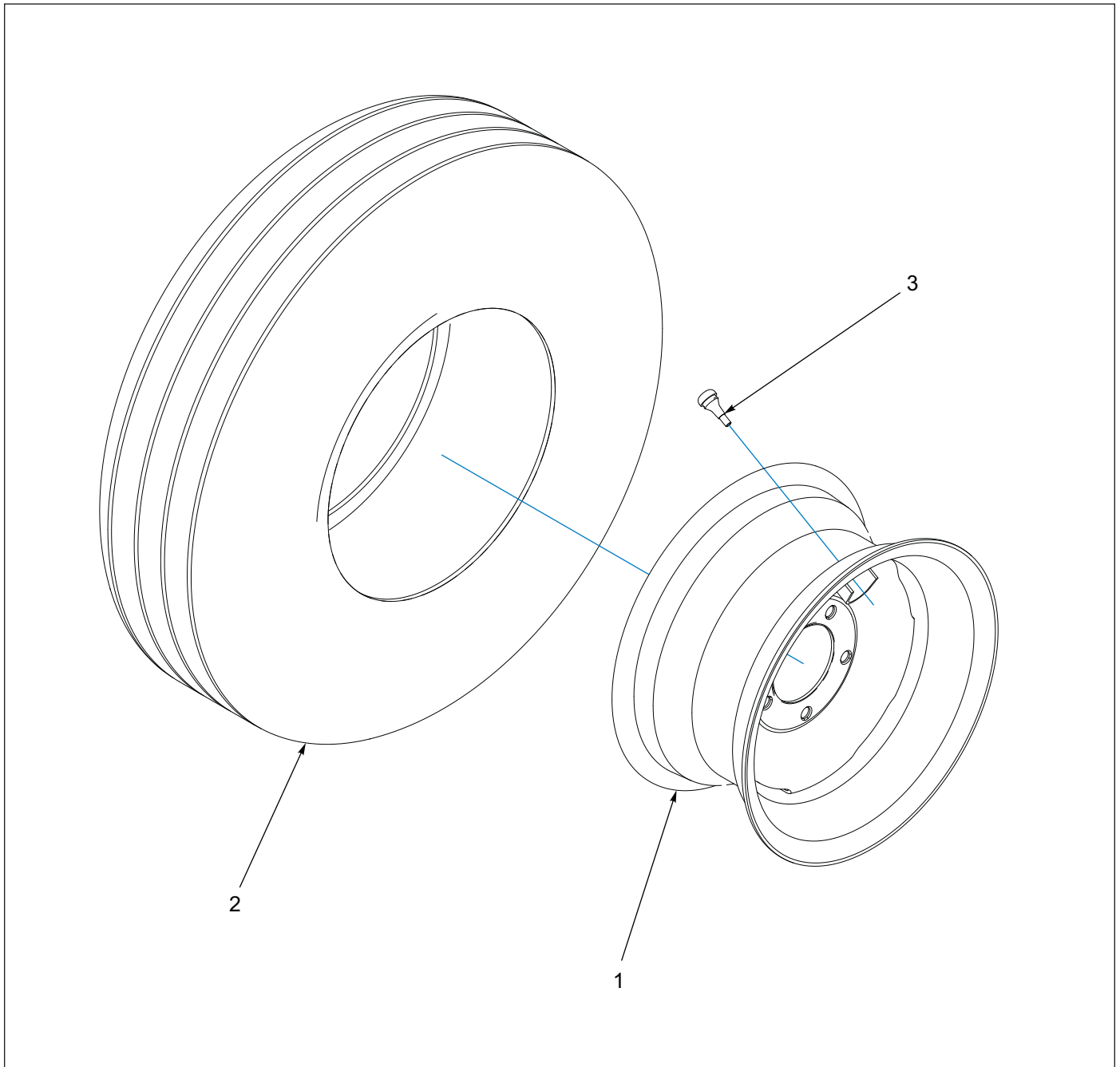


Figure 1-12: Tire and Wheel Assembly - 5 Bolt (BEFORE 05/2021)

Tire and Wheel Assembly - 5 Bolt (BEFORE 05/2021)

ITEM	PART NUMBER	DESCRIPTION	QTY
	6K926	WHEEL 8J790/NO TUBE/6J189 (01/2008 TO 05/2021)	1
	6K911	WHEEL 8J789/NO TUBE/4C129 (BEFORE 01/2008)	1
1	6J189	WHEEL - 15 X 8LB - 5 BOLT (01/2008 TO 05/2021)	1
1	4C129	WHEEL - 15 X 5KB - 5 BOLT (BEFORE 01/2008)	1
2	8J790	TIRE - 9.5L X 15 - 8 PLY (01/2008 TO 05/2021)	1
2	8J789	TIRE - 7.60 X 15 - 6 PLY (BEFORE 01/2008)	1
3	8J792	VALVE STEM-TUBELESS	1

Hydraulic Layout (AFTER 08/2025)

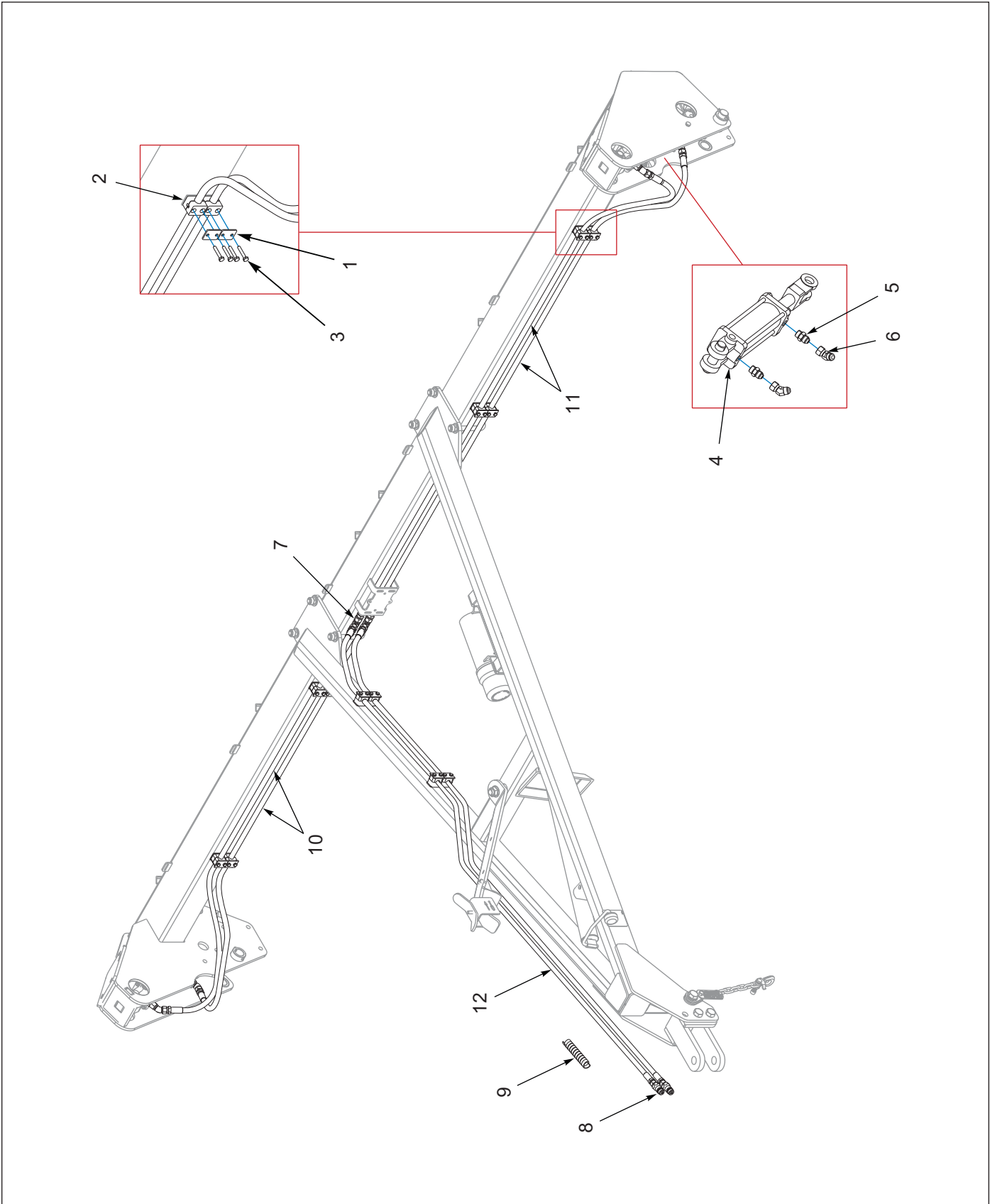


Figure 1-13: Hydraulic Layout (AFTER 08/2025)

Hydraulic Layout (AFTER 08/2025)

ITEM	PART NUMBER	DESCRIPTION	QTY		
			8'	10'	12'
		MODELS	8'	10'	12'
1	4K903	TOP PLATE	12	12	12
2	4K900	.67" DIA. HOSE CLAMP-PAIR	12	12	12
3	1-654-010047-08	SCREW HX CP, 1/4-20UNC X 1-1/2, G5	24	24	24
4	9J440	HYD CYLINDER - 2-1/2 X 6 DIA (SEE PAGE 1-120)	2	2	2
5	4K607	RESTRICTOR 3/4-16 (.078)	4	4	4
6	121031	FITTING, 45EL #8M X #8F 37SWVL (ELBOW)	4	4	4
7	2033-8-8S	ADAPTER, TEE, #8 TUBE (8MJ)	2	2	2
8	141828	COUPLER, MALE 3/4-16 O-RING	2	2	2
9	155528	HOSE WRAP, BLUE 1" ID X 8"	1	1	1
10	71508984	HOSE .38 X 42 (8FJS X 8FJS)	2	--	--
10	116432	HOSE ASSY, 3/8 X 60 #8 JIC SWV	--	2	--
10	71508979	HOSE .38 X 72 (8FJS X 8FJS)	--	--	2
11	71508987	HOSE ASM 3/8 X 86 (8FJS X 8FJS)	2	--	--
11	116491	HOSE 3/8 X 96 #8 JIC SW	--	2	--
11	139213	HOSE ASSY 3/8 X 105, #8 JIC SWIV	--	--	2
12	141886	HOSE ASSY 3/8 X 135 #8JICX#8OR	2	2	2

Hydraulic Layout (BEFORE 08/2025)

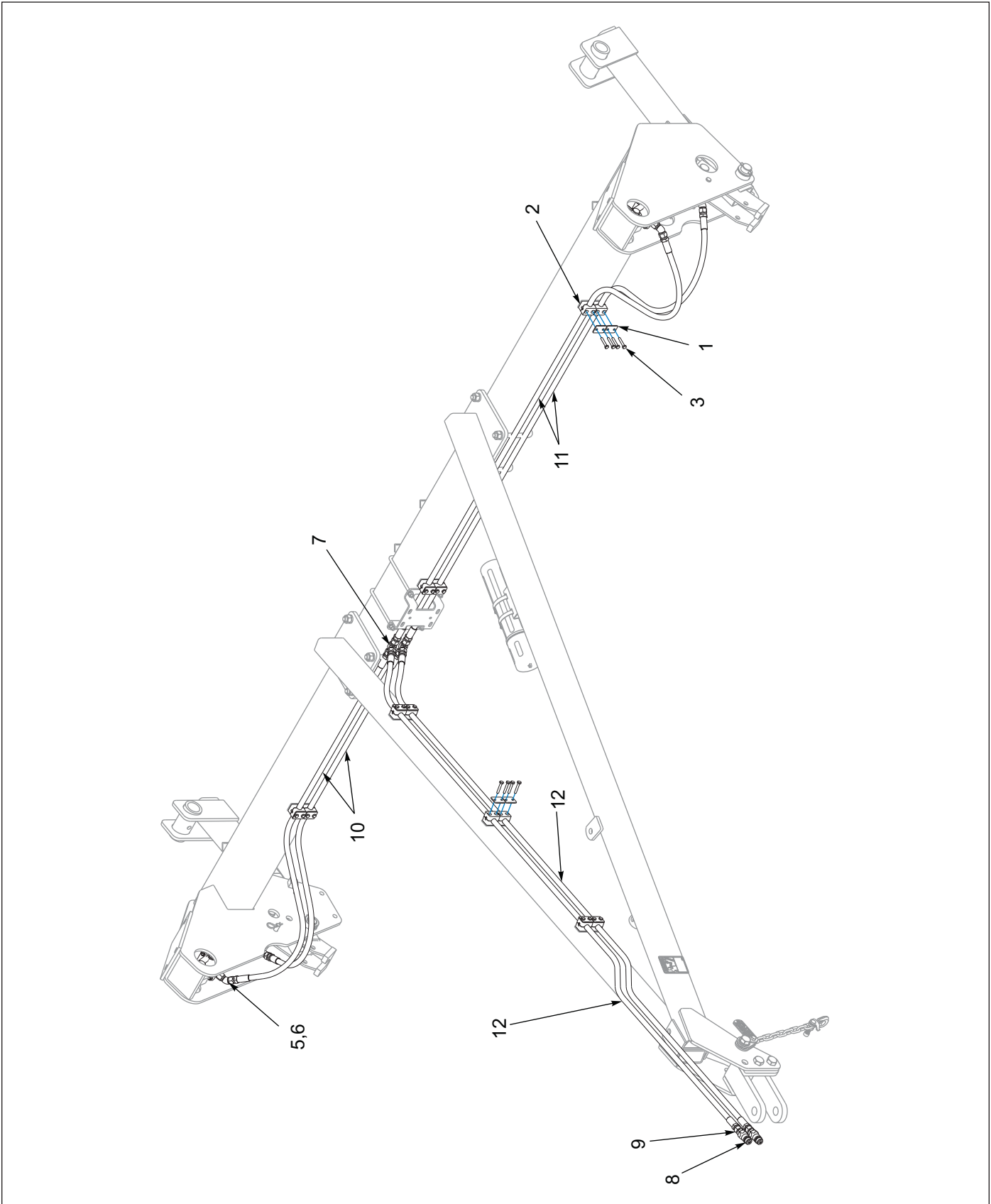


Figure 1-14: Hydraulic Layout (BEFORE 08/2025)

Hydraulic Layout (BEFORE 08/2025)

ITEM	PART NUMBER	DESCRIPTION	QTY		
			8'	10'	12'
		MODELS	8'	10'	12'
1	4K903	TOP PLATE	12	12	12
2	4K900	.67" DIA. HOSE CLAMP-PAIR	12	12	12
3	1-654-010047-08	SCREW HX CP, 1/4-20UNC X 1-1/2, G5	24	24	24
4	9J440	HYD CYLINDER - 2-1/2 X 6 DIA (NOT SHOWN) (SEE PAGE 1-120)	2	2	2
5	4K607	RESTRICTOR 3/4-16 (.078)	4	4	4
6	121031	FITTING, 45EL #8M X #8F 37SWVL (ELBOW)	4	4	4
7	2033-8-8S	ADAPTER, TEE, #8 TUBE (8MJ)	2	2	2
8	141828	COUPLER, MALE 3/4-16 O-RING	2	2	2
9	202702-8-8S	ADAPTER #8 O-RING TO #8 TUBE (8MJ X 8MOR)	2	2	2
10	71508984	HOSE .38 X 42 (8FJS X 8FJS)	2	--	--
10	116432	HOSE ASSY, 3/8 X 60 #8 JIC SWV	--	2	--
10	71508979	HOSE .38 X 72 (8FJS X 8FJS)	--	--	2
11	71508987	HOSE ASM 3/8 X 86 (8FJS X 8FJS)	2	--	--
11	116491	HOSE 3/8 X 96 #8 JIC SW	--	2	--
11	139213	HOSE ASSY 3/8 X 105, #8 JIC SWIV	--	--	2
12	141881	HOSE ASSY 3/8 X 136 #8 JIC SWIV	2	2	2

Hydraulic Schematic

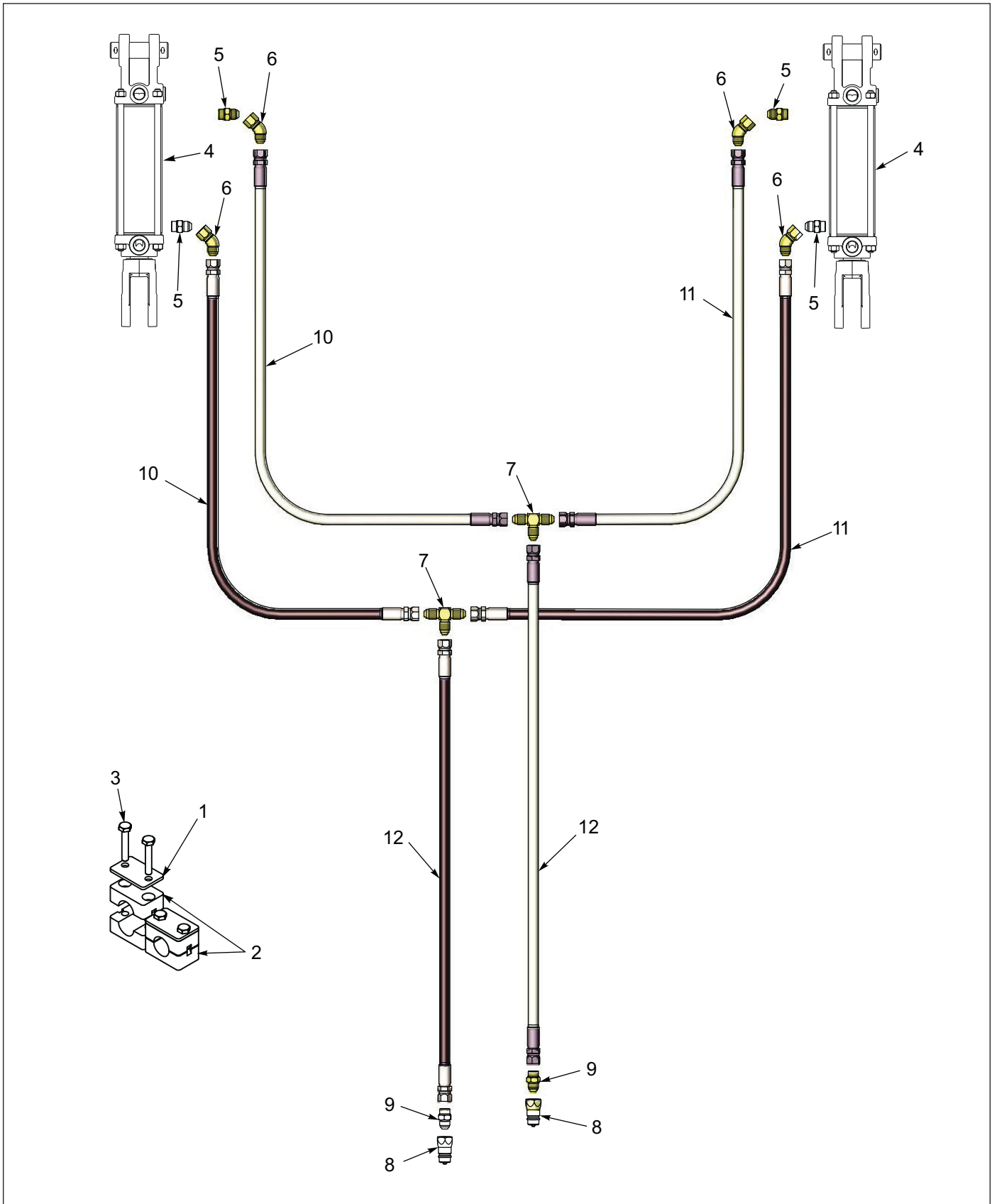


Figure 1-15: Hydraulic Schematic

Hydraulic Schematic

ITEM	PART NUMBER	DESCRIPTION	QTY		
			8'	10'	12'
		MODELS	8'	10'	12'
1	4K903	TOP PLATE	12	12	12
2	4K900	.67" DIA. HOSE CLAMP-PAIR	12	12	12
3	1-654-010047-08	SCREW HX CP, 1/4-20UNC X 1-1/2, G5	24	24	24
4	9J440	HYD CYLINDER - 2-1/2 X 6 DIA (SEE PAGE 1-120)	2	2	2
5	4K607	RESTRICTOR 3/4-16 (.078)	4	4	4
6	121031	FITTING, 45EL #8M X #8F 37SWVL (ELBOW)	4	4	4
7	2033-8-8S	ADAPTER, TEE, #8 TUBE (8MJ)	2	2	2
8	141828	COUPLER, MALE 3/4-16 O-RING	2	2	2
9	202702-8-8S	ADAPTER #8 O-RING TO #8 TUBE (8MJ X 8MOR) (BEFORE 08/01/2025 ONLY)	2	2	2
10	71508984	HOSE .38 X 42 (8FJS X 8FJS)	2	--	--
10	116432	HOSE ASSY, 3/8 X 60 #8 JIC SWV	--	2	--
10	71508979	HOSE .38 X 72 (8FJS X 8FJS)	--	--	2
11	71508987	HOSE ASM 3/8 X 86 (8FJS X 8FJS)	2	--	--
11	116491	HOSE 3/8 X 96 #8 JIC SW	--	2	--
11	139213	HOSE ASSY 3/8 X 105, #8 JIC SWIV	--	--	2
12	141886	HOSE ASSY 3/8 X 135 #8JICX#8OR (AFTER 08/01/2025)	2	2	2
12	141881	HOSE ASSY 3/8 X 136 #8 JIC SWIV (BEFORE 08/01/2025)	2	2	2

Wheel and Axle Assemblies

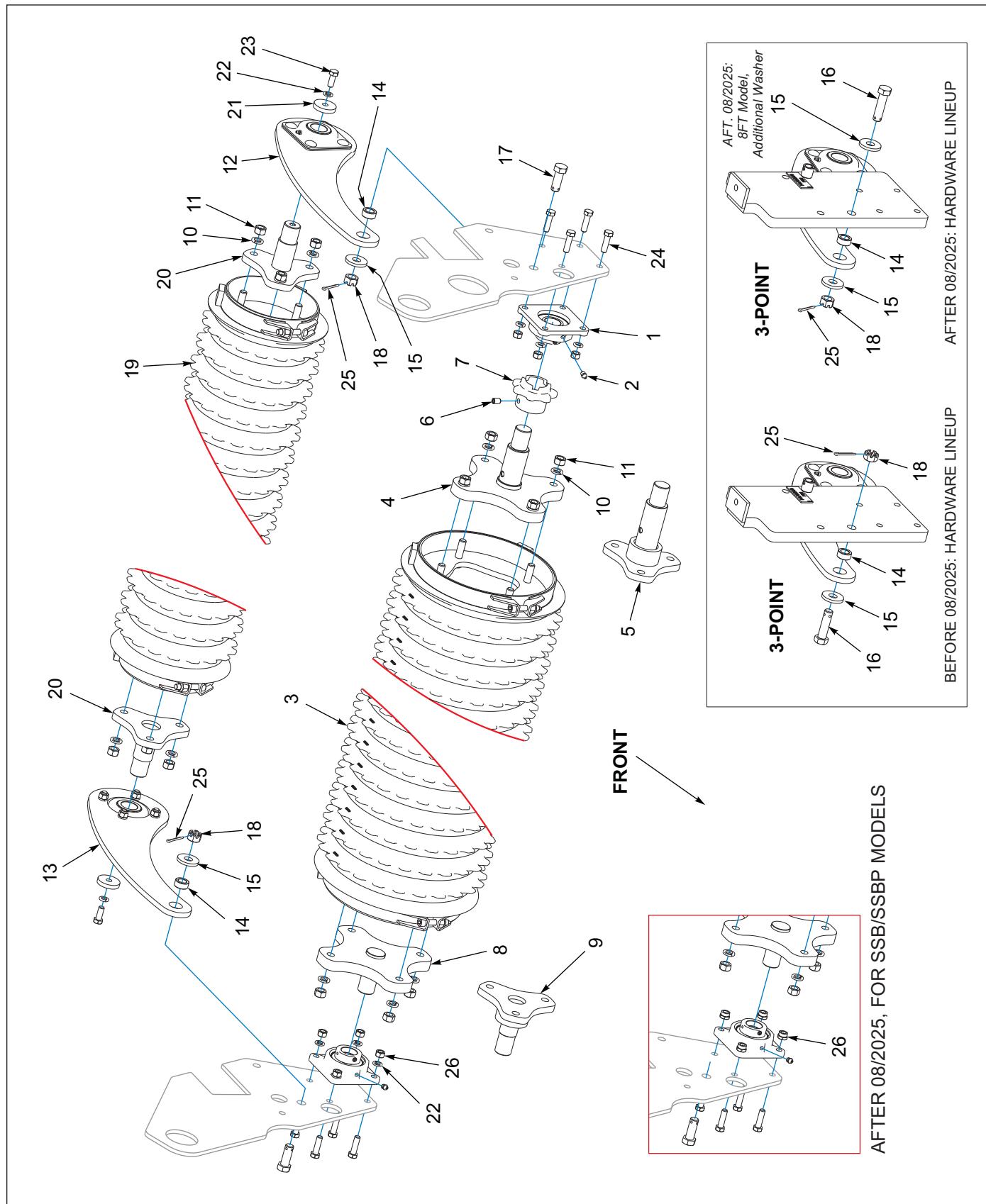


Figure 1-16: Wheel and Axle Assemblies

Wheel and Axle Assemblies

ITEM	PART NUMBER	DESCRIPTION	QTY		
			8'	10'	12'
		MODELS	8'	10'	12'
1	4D645	FLANGE BEARING (4 BOLT INCLUDES ITEM 2)	2	2	2
2	9D923	GREASE FITTING (1/8 PTF X 11/16) (BEFORE 11/14/2011)	2	2	2
2	1-298-010001-1	ZERK FITTING, 1/4 SAE (AFTER 11/15/2011)	2	2	2
3	9K272	FRONT ROLLER ASM, 8' 4 BOLT (SEE PAGE 1-29)	1	--	--
3	9J898	8 FT FRONT WHEEL & DRUM B (3 BOLT) (SEE PAGE 1-28)	1	--	--
3	9K271	FRONT ROLLER ASM, 10' 4 BOLT (SEE PAGE 1-29)	--	1	--
3	9J349	10 FT FRONT ROLLER ASSEMBLY (3 BOLT) (SEE PAGE 1-28)	--	1	--
3	9K270	12' FRONT ROLLER ASM, 4 BOLT (SEE PAGE 1-29)	--	--	1
3	2K461	12 FT FRONT WHEEL & DRUM (3 BOLT) (SEE PAGE 1-28)	--	--	1
4	9K406	LH STUB SHAFT, 4 BOLT	1	1	1
5	1K470	STUB SHAFT, L.H. (3 BOLT) (PER SD/SPD MODELS)	1	1	1
6	107-0082	SCREW, SET, 1/2-13 X 3/4	1	1	1
7	4C580	AXLE SPROCKET - 7 TOOTH	1	1	1
8	9K265	RH STUB SHAFT, 4 BOLT	1	1	1
9	9J351	STUB SHAFT R.H. (3 BOLT) (PER SD/SPD MODELS)	1	1	1
10	1-861-010034-15	WASHER, LKG, HLCL SPR, 5/8	14	14	14
11	1-512-010007-11	NUT, HEX 5/8-11 GR2, ZP	14	14	14
12	2K480	LEFT REAR ARM ASSEMBLY (SEE PAGE 1-31)	1	1	1
13	2K481	RIGHT REAR ARM ASSEMBLY (SEE PAGE 1-31)	1	1	1
14	9J399	ROLLER ARM BUSHING	2	2	2
15	191399	WASHER, 0.781 X 2.0 X 2.5 (8FT DRAWBAR, QTY=2) (8FT 3-PT, QTY=4)	REF	2	2
16	193220	BOLT, DRILLED, 3/4-16 X 2-3/4 (3-PT)	2	2	2
17	193219	BOLT, DRILLED 3/4-16 X 2 (DRAWBAR)	2	2	2
18	193218	NUT, HX SLOT 3/4-16 GR5, ZP	2	2	2
19	9J897	8 FT REAR ROLLER ASSEMBLY (SEE PAGE 1-30)	1	--	--
19	9J336	10 FT REAR ROLLER ASSEMBLY (SEE PAGE 1-30)	--	1	--
19	2K460	12 FT REAR ROLLER ASSEMBLY (SEE PAGE 1-30)	--	--	1
20	2K475	RH STUB SHAFT	2	2	2
21	9J338	WASHER (1/2 X 2-1/16 X 3/8, ZP)	2	2	2
22	1-861-010034-13	WASHER, LKG HLCL SPR, 1/2 (BEFORE 08/01/2025, QTY=10)	2	2	2
23	104665	SCREW, HX CP 1/2-20 X 1-1/4, GR8	2	2	2
24	1-654-010055-04	SCREW, HEX CAP, 1/2-13UNC X 1-3/4 (DRAWBAR)	8	8	8
24	169690	SCREW HXCP 1/2-13UNC X 2-1/4, GR5 (3-PT)	8	8	8
25	1-557-010362-51	COTTER PIN, 3/16 X 1-1/2	2	2	2
26	1-512-010007-09	NUT, HEX 1/2-13, ZP (BEFORE 08/01/2025)	8	8	8
26	1-512-010005-09	NUT, HEX, SLFLKG GRB 3/8-16 (AFTER 08/01/2025)	8	8	8

Front Roller, 3 - Bolt

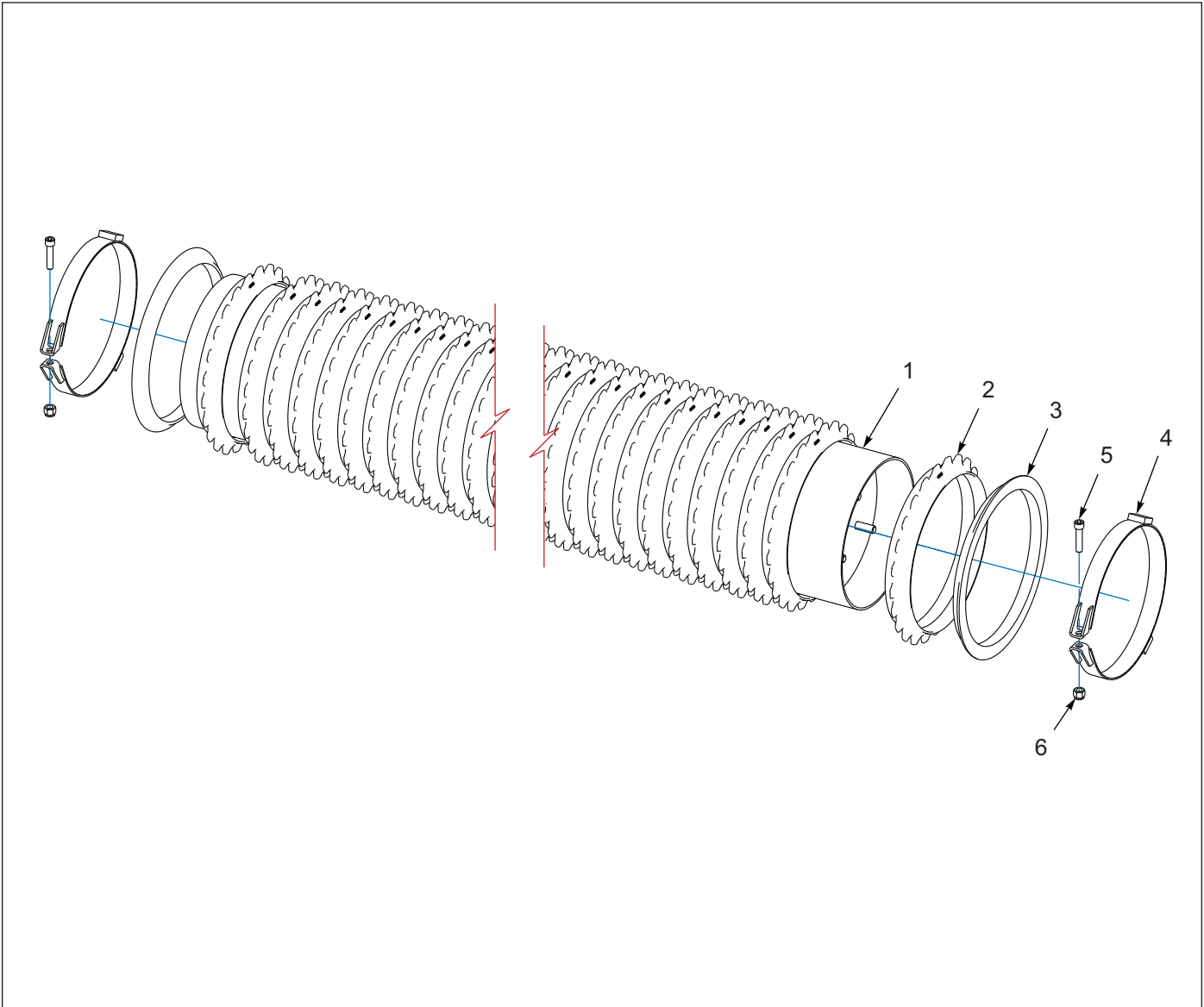


Figure 1-17: Front Roller, 3 - Bolt

Front Roller, 3 - Bolt

ITEM	PART NUMBER	DESCRIPTION	QTY		
			8'	10'	12'
		MODELS	8'	10'	12'
	9J898	8 FT FRONT WHEEL & DRUM B	1	--	--
	9J349	10 FT FRONT ROLLER ASSEMBLY	--	1	--
	2K461	12 FT FRONT WHEEL & DRUM	--	--	1
1	9J896	PIPE & PLATE ASSEMBLY	1	--	--
1	9J350	PIPE & PLATE ASY FRONT	--	1	--
1	2K454	PIPE & PLATE ASSEM	--	--	1
2	4C688	FRONT SAND WHEEL (7000487) (12-3/4 PIPE)	40	50	61
3	1C968	HALF WHEEL 12 IN.	2	2	2
4	2C802	CLAMP BAND & BOLT ASSEMBLY (INCL. ITEMS 5 AND 6)	2	2	2
5	118577	SCREW HX SKT HD 1/2-13 X 2-1/2 Z	2	2	2
6	2C112	NUT, HX LOCK 1/2-13NC HVY ELSTC	2	2	2

Front Roller, 4 - Bolt

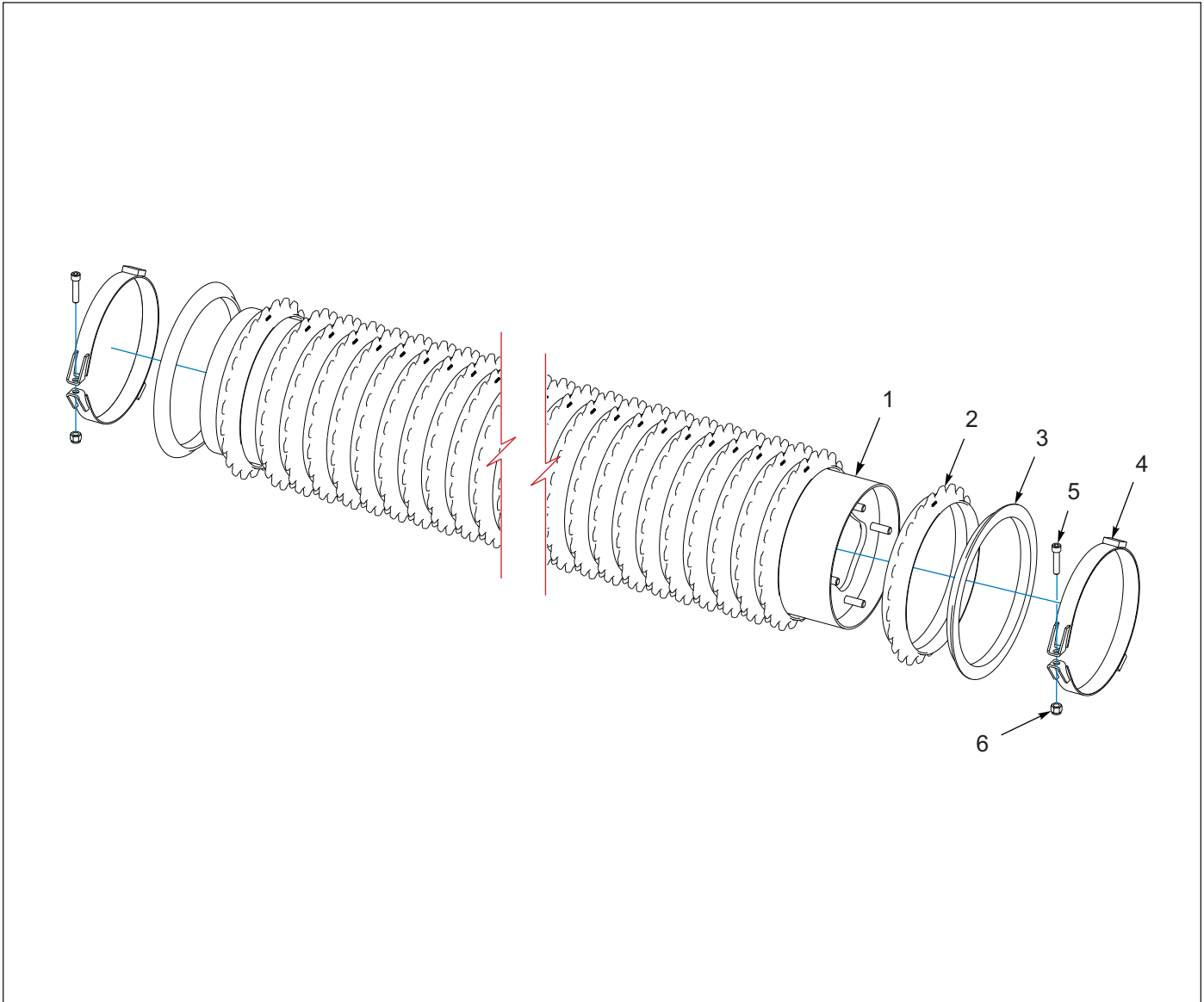


Figure 1-18: Front Roller, 4 - Bolt

Front Roller, 4 - Bolt

ITEM	PART NUMBER	DESCRIPTION	QTY		
			8'	10'	12'
		MODELS	8'	10'	12'
	9K272	FRONT ROLLER ASM, 8' 4 BOLT	1	--	--
	9K271	FRONT ROLLER ASM, 10' 4 BOLT	--	1	--
	9K270	12' FRONT ROLLER ASM, 4 BOLT	--	--	1
1	9K262	DRUM, 8' WELDMENT, 4 BOLT	1	--	--
1	9K261	DRUM, 10' WELDMENT, 4 BOLT	--	1	--
1	9K260	DRUM, 12' WELDMENT, 4 BOLT	--	--	1
2	4C688	FRONT SAND WHEEL (7000487) (12-3/4 PIPE)	40	50	61
3	1C968	HALF WHEEL 12 IN.	2	2	2
4	2C802	CLAMP BAND & BOLT ASSEMBLY (INCL. ITEMS 5 AND 6)	2	2	2
5	118577	SCREW HX SKT HD1/2-13X2-1/2ZP	2	2	2
6	2C112	NUT, HX LOCK 1/2-13NC HVY ELSTC	2	2	2

Rear Roller Assemblies

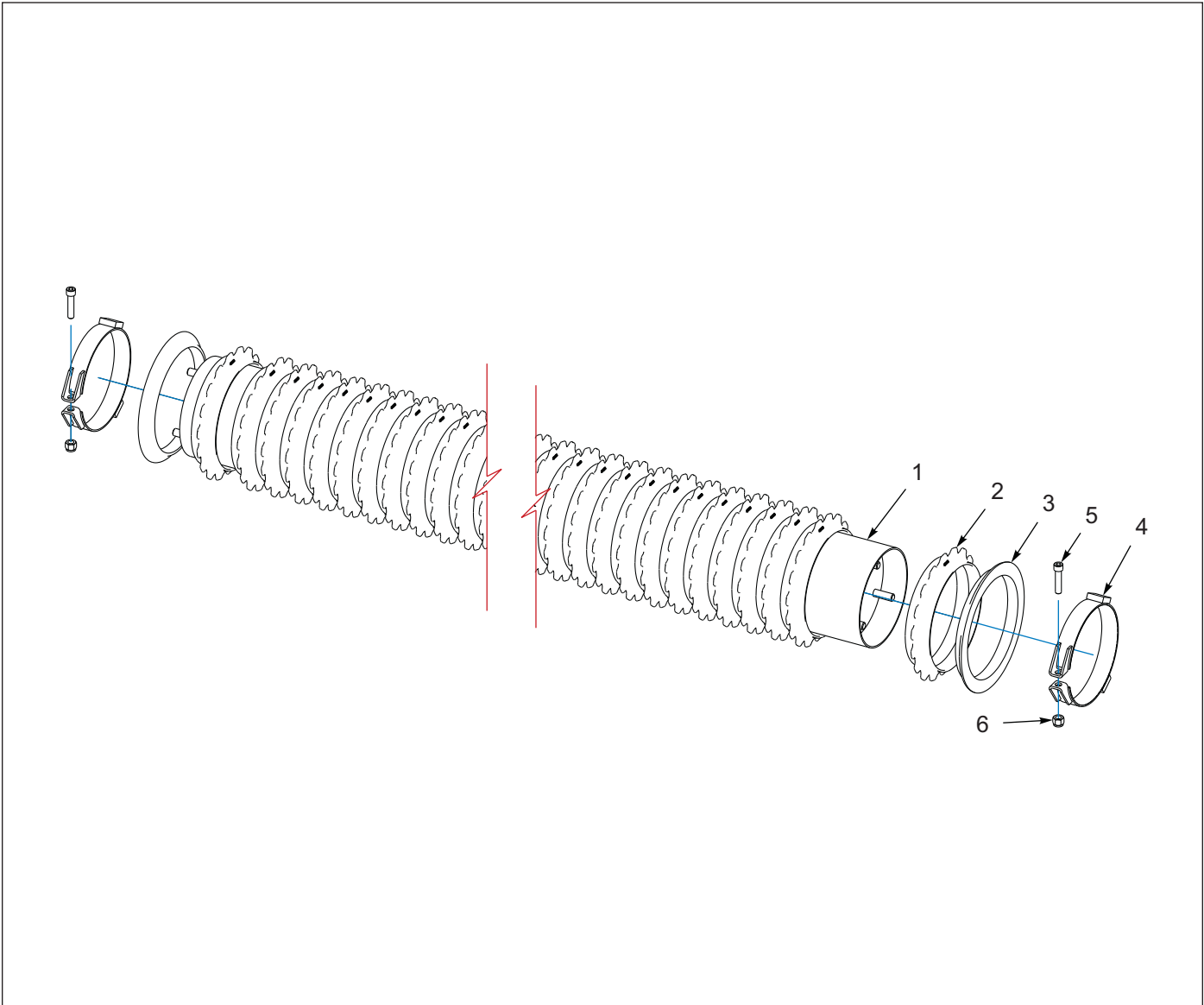


Figure 1-19: Rear Roller Assemblies

Rear Roller Assemblies

ITEM	PART NUMBER	DESCRIPTION	QTY		
			8'	10'	12'
		MODELS	8'	10'	12'
	9J897	8' REAR ROLLER ASSEMBLY	1	--	--
	9J336	10' REAR ROLLER ASSEMBLY	--	1	--
	2K460	12' REAR ROLLER ASSEMBLY	--	--	1
1	9J895	PIPE, 8' WELDMENT	1	--	--
1	9J337	PIPE, 10' WELDMENT	--	1	--
1	2K455	PIPE, 12' WELDMENT	--	--	1
2	4C689	REAR SAND WHEEL	41	52	62
3	2C524	HALF WHEEL	2	2	2
4	2C801	CLAMP BAND & BOLT ASSEMBLY (INCL. ITEMS 5 AND 6)	2	2	2
5	118577	SCREW HX SKT HD 1/2-13 X 2-1/2 Z	2	2	2
6	2C112	NUT, HX LOCK 1/2-13NC HVY ELSTC	2	2	2

Rear Arm Assemblies

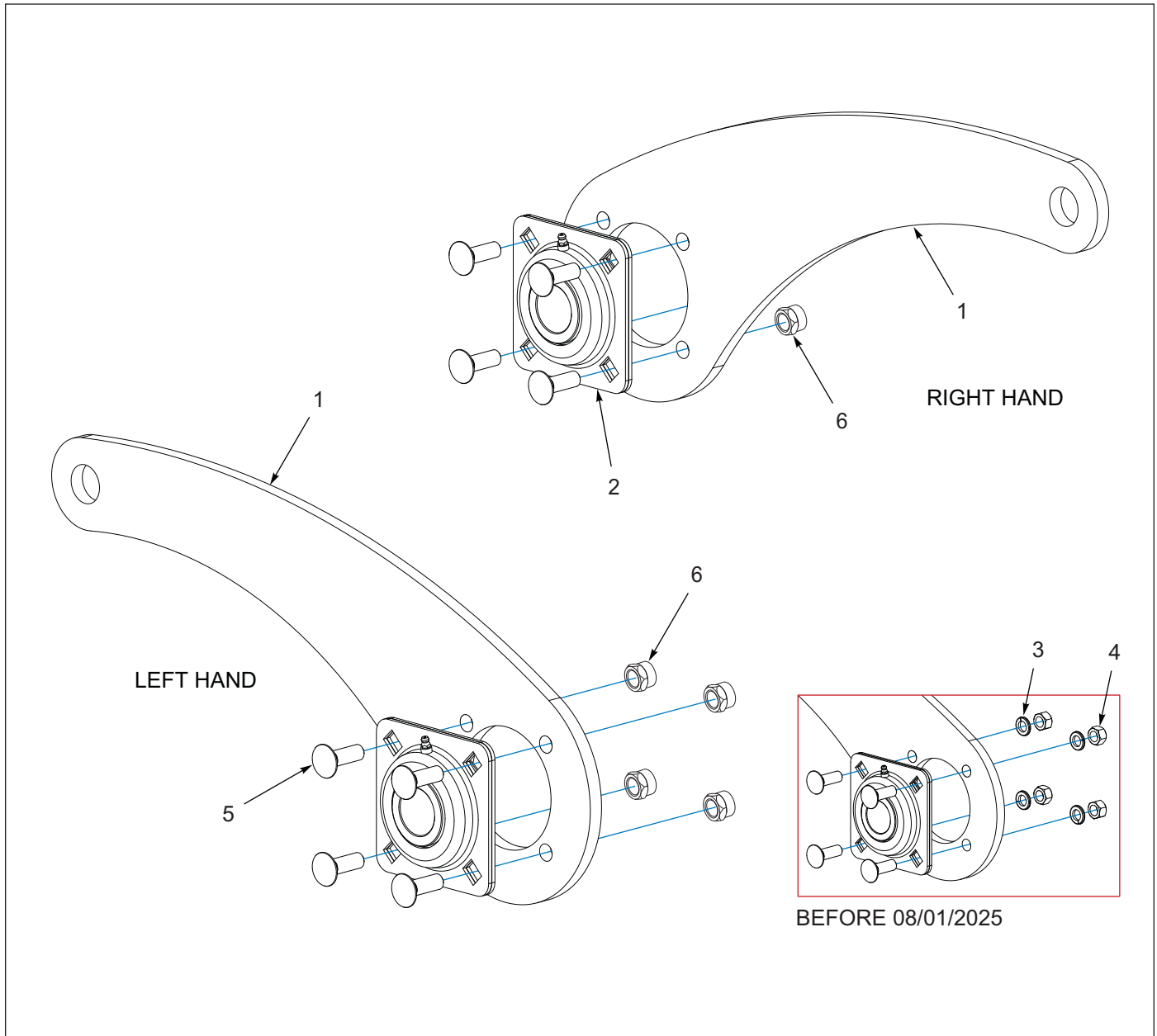


Figure 1-20: Rear Arm Assemblies

Rear Arm Assemblies

ITEM	PART NUMBER	DESCRIPTION	QTY
	2K480	LEFT REAR ARM ASSEMBLY	1
	2K481	RIGHT REAR ARM ASSEMBLY	1
1	2K522	REAR ARM	2
2	1-065-010011	BEARING FLANGED 1-1/2ID (AFTER 08/01/2025)	2
2	2K316	BEARING FLANGED 1-1/2 ID (BEFORE 08/01/2025)	2
3	1-861-010034-13	WASHER, LKG HLCL SPR, 1/2 (BEFORE 08/01/2025)	8
4	1-512-010007-09	NUT, HEX 1/2-13, ZP (BEFORE 08/01/2025)	8
5	1-654-010070-03	SCREW, RDHD SQNK 1/2-13 X 1-1/2	8
6	1-512-010005-09	NUT,HEX,SLFLKG, 1/2-13 GRB (AFTER 08/01/2025)	8

Transmission Mounting and Drive

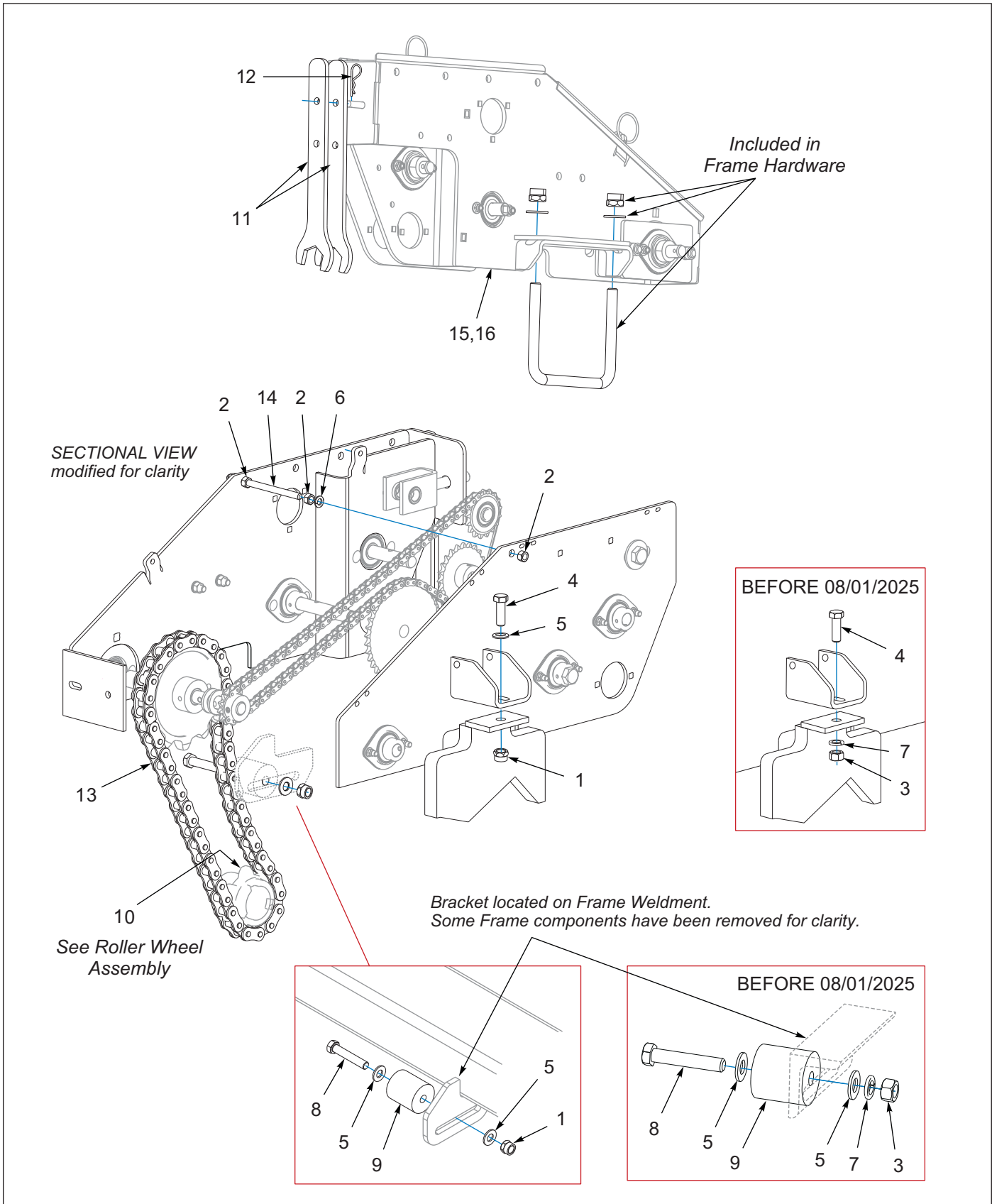


Figure 1-21: Transmission Mounting and Drive

Transmission Mounting and Drive

ITEM	PART NUMBER	DESCRIPTION	QTY
1	1-512-010005-09	NUT,HEX,SLFLKG, 1/2-13 GRB (AFTER 08/01/2025)	2
2	1-512-010007-07	NUT, HEX 3/8-16, ZP	4
3	1-512-010007-09	NUT, HEX 1/2-13, ZP (BEFORE 08/01/2025)	2
4	1-654-010055-03	SCREW, HEX CAP, 1/2-13UNC X 1-1/2	1
5	1-861-010032-14	WASHER, FLAT 1/2" N, ZP/CD (BEFORE 08/01/2025, QTY=2)	3
6	1-861-010034-11	WASHER, LKG HLCL SPR, 3/8	1
7	1-861-010034-13	WASHER, LKG HLCL SPR, 1/2 (BEFORE 08/01/2025)	2
8	101510	SCREW, HXCP 1/2-13UNC X 2-3/4, G5	1
9	247494	IDLER, 2.0 OD X 2-1/4 X .53 (AFTER 08/01/2025)	1
9	2K957	IDLER (BEFORE 08/01/2025)	1
10	4C580	AXLE SPROCKET - 7 TOOTH	1
11	5K319	WRENCH 1-1/2"	2
12	6C400	HAIR PIN COTTER (3/32)	1
13	9J403	A550 ROLLER CHAIN - 28 PITCHES (INCL. CONNECTOR LINK)	1
13	9J924	CONNECTOR LINK,A550 (REPLACEMENT PART)	1
14	9J436	STUD	1
15	247450	CASE-TRANSMISSION, WELDMENT (AFTER 08/01/2025)	1
15	9J367	TRANSMISSION CASE (BEFORE 08/01/2025)	1
16	3K069	TRANSMISSION ASSY (8FT AND 10FT) (SEE PAGE 1-35)	1
16	2K482	TRANSMISSION ASSY (12FT) (SEE PAGE 1-35)	1

Transmission Assembly

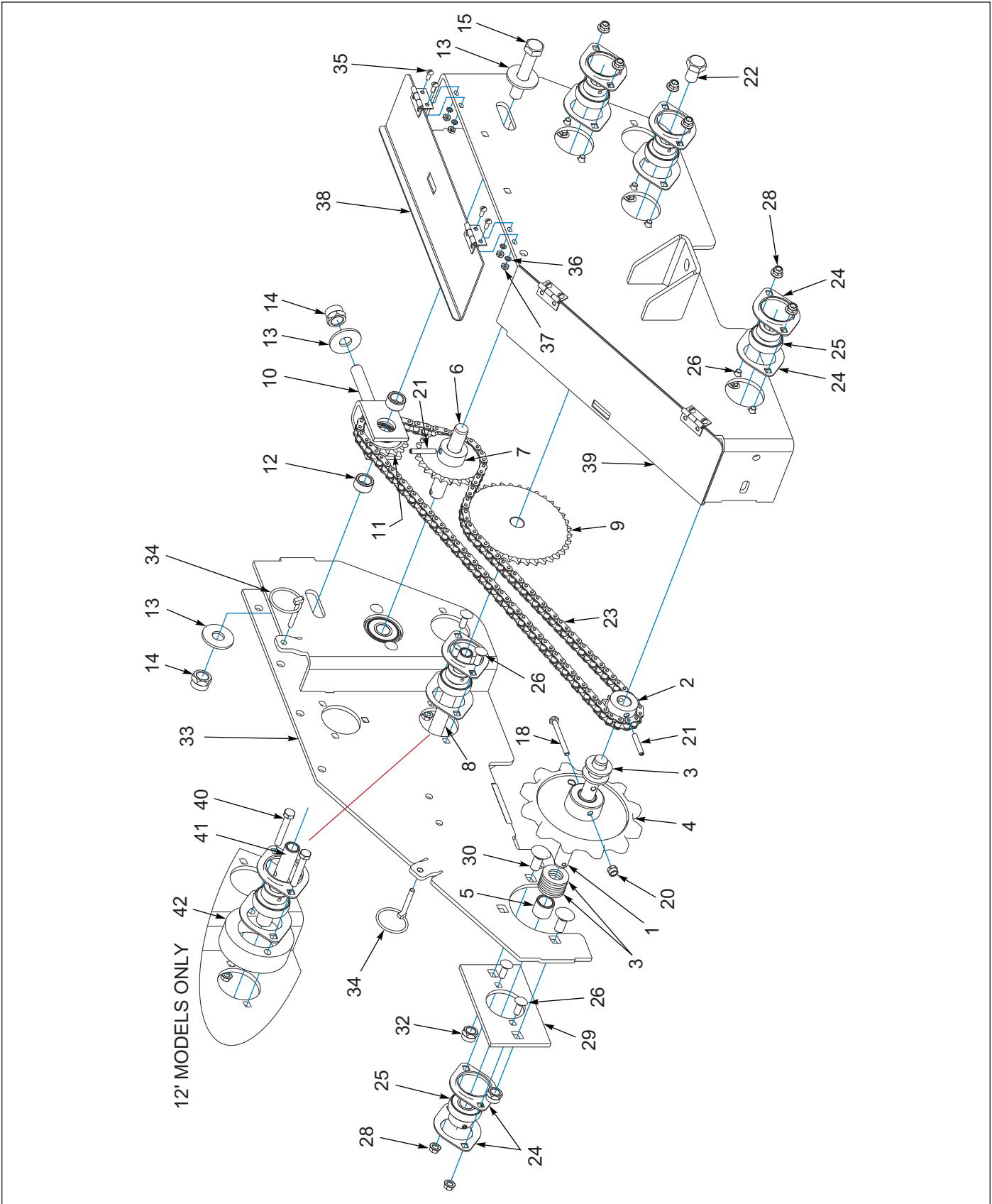


Figure 1-22: Transmission Assembly (AFTER 08/2025)

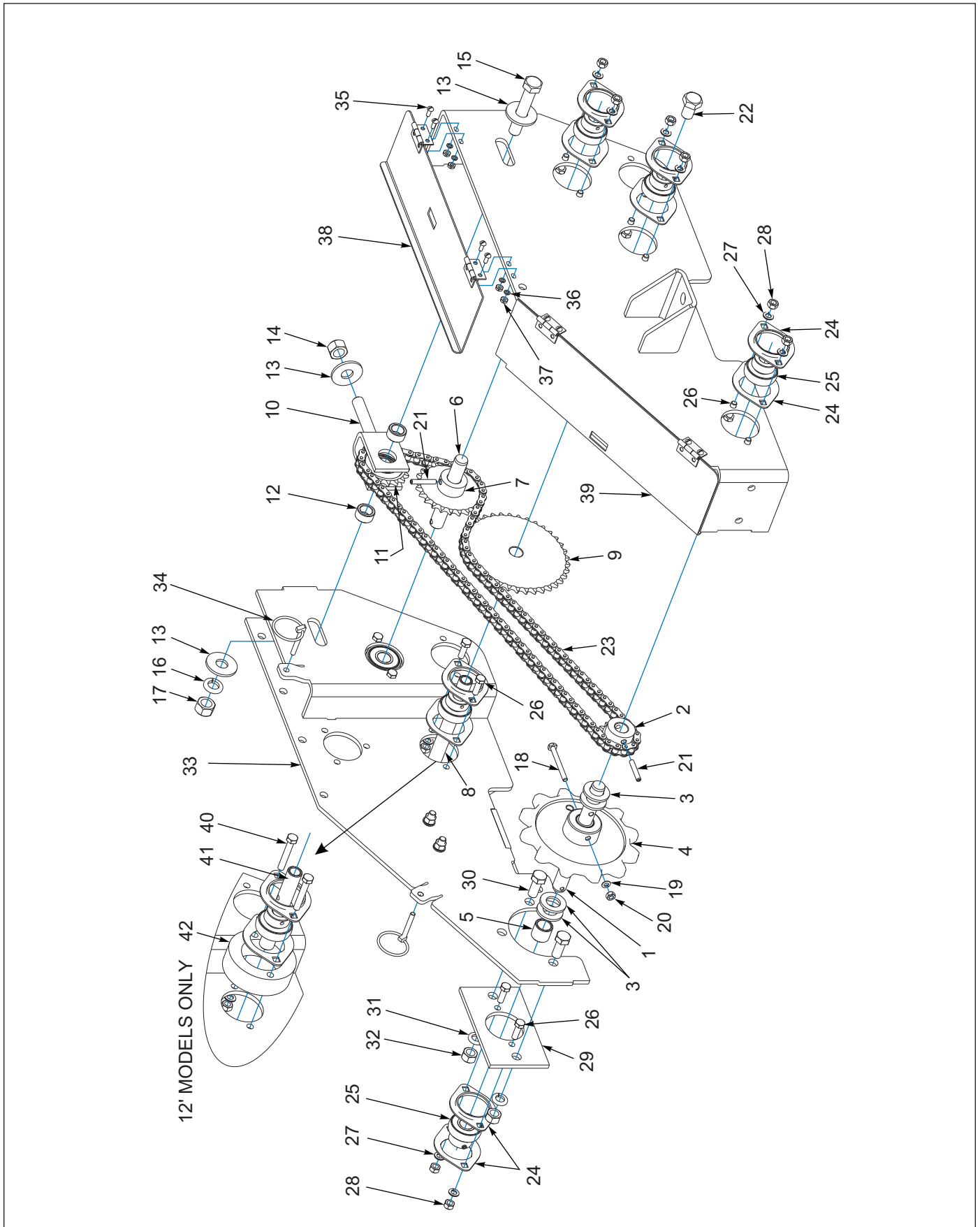


Figure 1-23: Transmission Assembly (BEFORE 08/2025)

Transmission Assembly

ITEM	PART NUMBER	DESCRIPTION	QTY
	3K069	TRANSMISSION ASSY (8FT AND 10FT)	1
	2K482	TRANSMISSION ASSY (12FT)	1
1	9J385	INPUT SHAFT	1
2	9D772	SPROCKET 13 TOOTH (#40B, 13 X 3/4 BORE)	1
3	1-861-010032-20	WASHER, FL 3/4 SAE, ZP (8FT AND 10FT MODELS, QTY=6) (12FT MODEL, QTY=3)	REF
4	2K502	12 TOOTH SPRKT	1
5	7J422	BUSHING (0.76 X 1.0 X 0.875)	1
6	9J389	OUTPUT SHAFT (3/4 X 4-15/16)	1
7	9D854	SPROCKET - 23 TOOTH (#40B, 23 X 3/4 BORE)	1
8	6K886	DRIVE TUBE (8FT AND 10FT MODELS ONLY)	1
9	9J377	SPROCKET - 37 TOOTH (#40B, 37 X 3/4 BORE)	1
10	9J379	YOKE	1
11	117721	4017E IDLER SPK: 5/8"	1
12	9J391	BUSHING (0.688 X 1.0 X 0.531)	2
13	1-861-010032-19	WASHER, FLAT 5/8 W, ZP/CD	3
14	1-512-010005-13	NUT,HEX SLFLKG GRB 5/8-11	2
15	1-654-010059-11	SCREW, HX CP 5/8-11UNC X 3.5, GR5	1
16	1-861-010034-15	WASHER, LKG, HLCL SPR, 5/8 (BEFORE 08/01/2025)	1
17	1-512-010007-11	NUT, HEX 5/8-11 GR2, ZP (BEFORE 08/01/2025)	1
18	1-654-010047-12	SCREW, HEX 1/4-20UNC X 2-1/2	1
19	1-861-010034-09	WASHER, LKG HLCL SPR, 1/4 (BEFORE 08/01/2025)	1
20	1-512-010005-01	NUT,HEX,SLFLKG GRB 1/4-20 (AFTER 08/01/2025)	1
20	1-512-010007-05	NUT, HEX 1/4-20 (BEFORE 08/01/2025)	1
21	1-647-010004217	SPRING PIN, SLOTTED 1/4 X 1-1/2	3
22	1-654-010059-01	SCREW, HX CP, 5/8-11UNC X 1, GR5	1
23	2K504	CHAIN #40 X 110 PITCHES (INCLUDES CONNECTOR LINK)	1
23	119716	CONNECTING LINK #40 CHAIN (REPLACEMENT PART)	1
24	2K503	FLANGETTE - 2 BOLT	12
25	1D598	BEARING & COLLAR 3/4"	6
26	105909	SCREW,RDHD,SQNCK,5/16-18X3/4 (AFTER 08/01/2025)	12
26	1-654-010049-05	SCREW HX CP 5/16-18 X 1, GR5 (BEFORE 08/01/2025)	12
27	1-861-010034-10	WASHER, LKG 5/16 (BEFORE 08/01/2025)	12
28	1-512-010004-03	NUT HX FLANGE, 5/16-18 GR8 (AFTER 08/01/2025)	12
28	1-512-010007-06	NUT, HEX 5/16-18 (BEFORE 08/01/2025)	12
29	4K928	TRANSMISSION PLATE	1
30	1-654-010070-02	SCREW 1/2-13X1-1/4 RD HD SQNK (AFTER 08/01/2025)	2
30	1-654-010055-02	SCREW 1/2-13UNC X 1-1/4 CP, GR5 (BEFORE 08/01/2025)	2
31	1-861-010034-13	WASHER, LKG HLCL SPR, 1/2 (BEFORE 08/01/2025)	2
32	1-512-010005-09	NUT,HEX,SLFLKG, 1/2-13 GRB (AFTER 08/01/2025)	2
32	1-512-010007-09	NUT, HEX 1/2-13 ZP (BEFORE 08/01/2025)	2
33	247450	CASE-TRANSMISSION, WELDMENT (AFTER 08/01/2025)	1
33	9J367	TRANSMISSION CASE (BEFORE 08/01/2025)	1
34	1-557-010327	PIN LYNCH 1/4X1-1/4	2
35	1C213	STOVE BOLT #10-24 X 1/2 RD HD, ZP	8
36	1-861-010034-07	WASHER, LKG, HLCL SPR, NO 10	8
37	1-512-010007-03	NUT, HEX 10-24	8
38	9J392	COVER ASM TOP	1

Transmission Assembly

ITEM	PART NUMBER	DESCRIPTION	QTY
39	9J395	COVER ASM	1
40	1-654-010049-09	SCREW, HEX CAP, 5/16-18UNC X 2, GR5 (12FT MODELS ONLY)	2
41	6K516	DRIVE TUBE (12FT MODEL ONLY)	1
42	2K538	SPACER (12FT MODELS ONLY)	1

Transmission Assembly with Optional Clutch

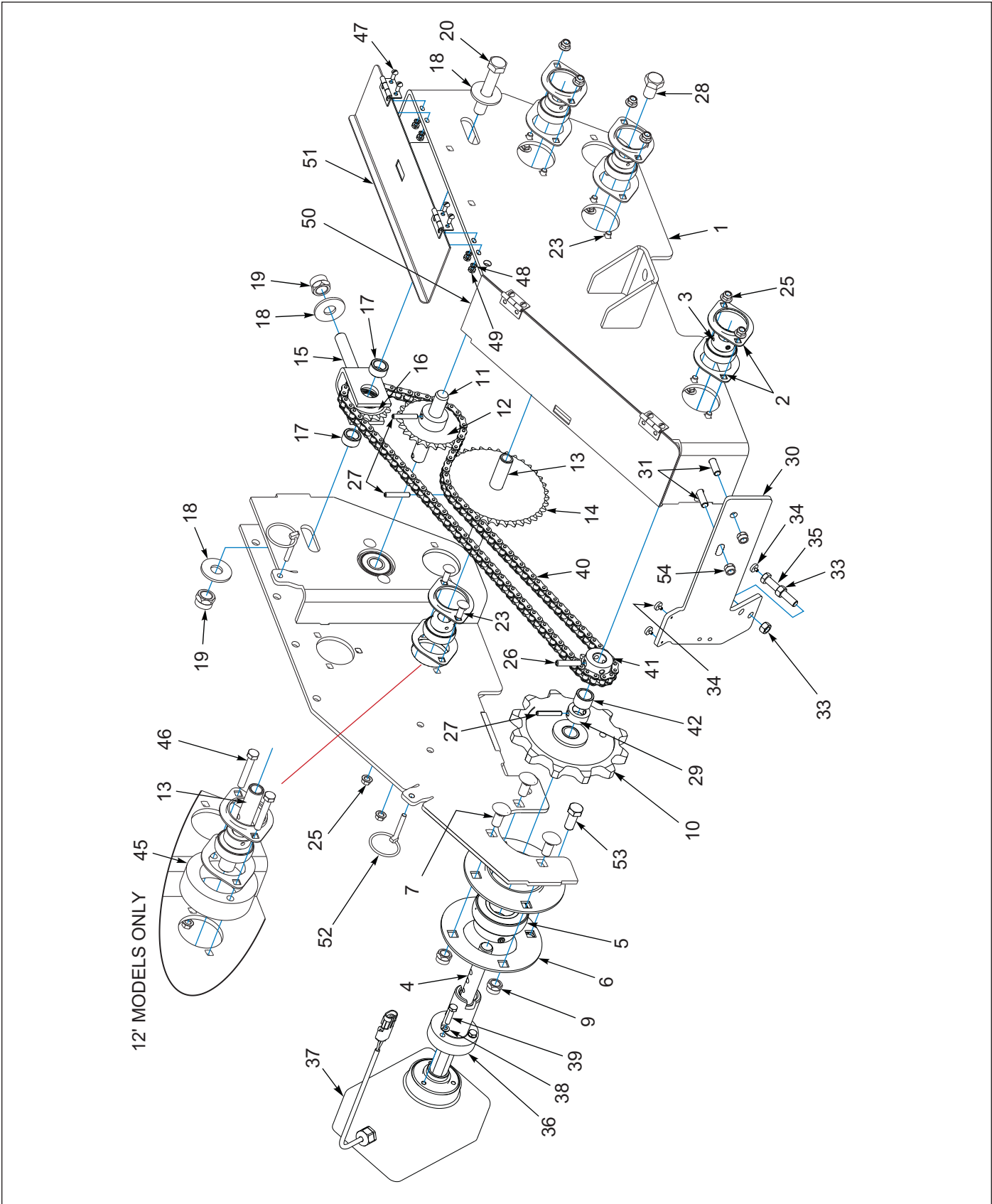


Figure 1-24: Transmission Assembly with Optional Clutch (AFTER 08/2025)

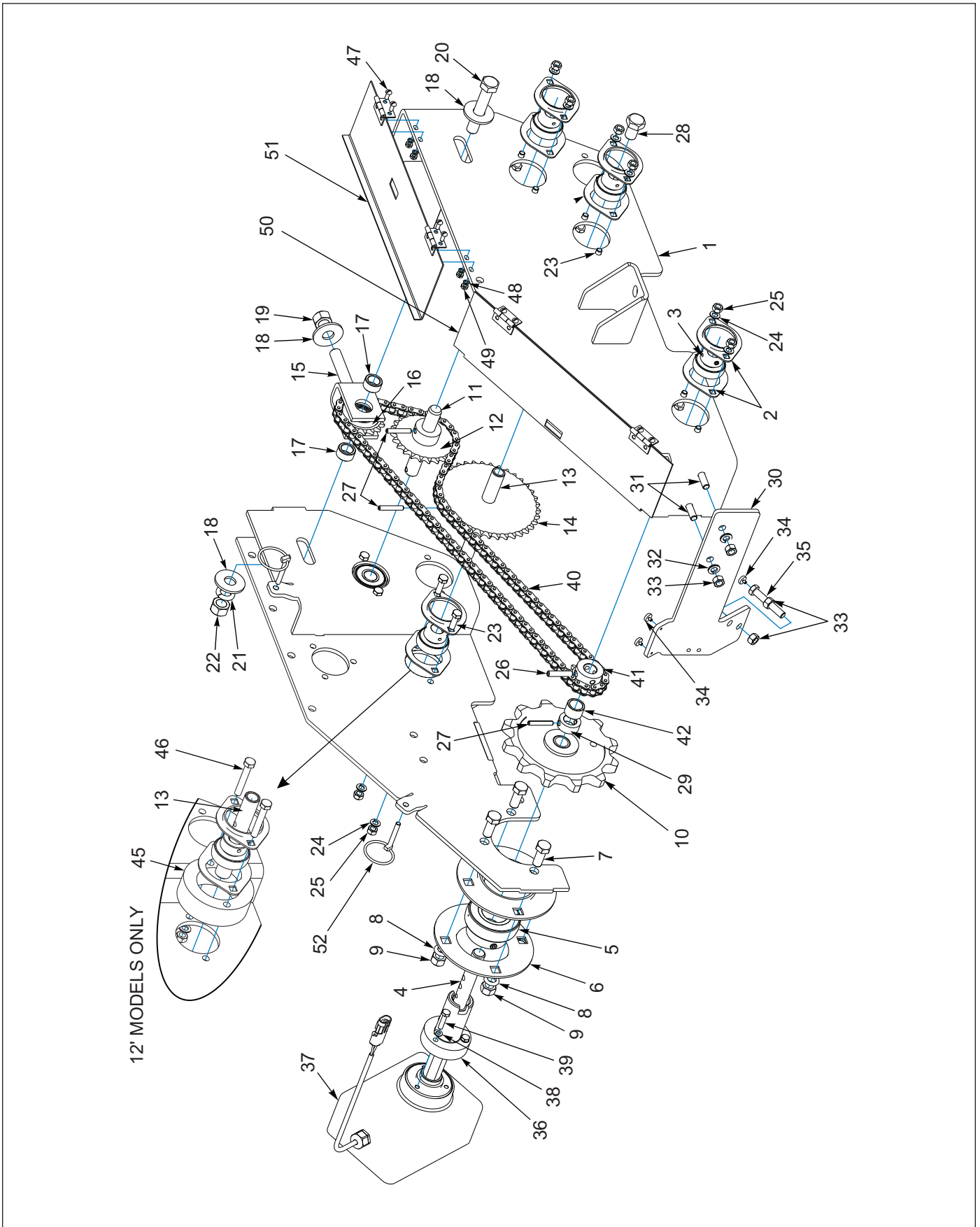


Figure 1-25: Transmission Assembly with Optional Clutch (BEFORE 08/2025)

Transmission Assembly with Optional Clutch

ITEM	PART NUMBER	DESCRIPTION	QTY
	1P152	TRANSMISSION ASM W/CLUTCH (8FT AND 10FT) (INCLUDES ITEMS 1-44, 53-54)	--
	171378	KIT, SS12 CLUTCH TRANSMISSION (12FT) (INCLUDES ITEMS 1-46, 53-54)	--
1	247450	CASE-TRANSMISSION, WELDMENT (AFTER 08/01/2025)	1
1	9J367	TRANSMISSION CASE (BEFORE 08/01/2025)	1
2	2K503	FLANGETTE - 2 BOLT	10
3	1D598	BEARING & COLLAR 3/4"	5
4	5K156	INPUT SHAFT	1
5	9D903	BEARING 1-1/2 BOR W/COLLAR	1
6	5K226	FLANGETTE (HALF, 4 BOLT)	2
7	1-654-010070-02	SCREW 1/2-13X1-1/4 RD HD SQNK (AFTER 08/01/2025)	3
7	1-654-010055-02	SCREW 1/2-13UNC X 1-1/4, GR5 (BEFORE 08/01/2025)	4
8	1-861-010034-13	WASHER, LKG HLCL SPR, 1/2 (BEFORE 08/01/2025)	4
9	1-512-010005-09	NUT,HEX,SLFLKG, 1/2-13 GR (AFTER 08/01/2025)	4
9	1-512-010007-09	NUT, HEX 1/2-13, ZP (BEFORE 08/01/2025)	4
10	5K706	12 TOOTH SPROCKET W/BUSHING	1
11	9J389	OUTPUT SHAFT (PIN OFFSET 3/4 X 4-15/16)	1
12	9D854	SPROCKET -23 TOOTH (#40B 23 X 3/4 BORE)	1
13	6K886	DRIVE TUBE (8FT, 10FT MODELS ONLY)	1
13	6K516	DRIVE TUBE (12FT MODEL ONLY)	1
14	9J377	SPROCKET - 37 TOOTH (#40B 37 X 3/4 BORE)	1
15	9J379	YOKE	1
16	117721	4017E IDLER SPK: 5/8" (AFTER 08/01/2025)	1
16	9J378	IDLER SPROCKET - 17 TOOTH (#40 X 17 X 5/8) (BEFORE 08/01/2025)	1
17	9J391	BUSHING (0.688 X 1.0 X 0.531)	2
18	1-861-010032-19	WASHER, FLAT 5/8 W, ZP/CD	3
19	1-512-010005-13	NUT, HEX SLFLKG GRB 5/8-11 (BEFORE 08/01/2025, QTY=1)	2
20	1-654-010059-11	SCREW, HX CP 5/8-11UNC X 3.5, GR5	1
21	1-861-010034-15	WASHER, LKG, HLCL SPR, 5/8	1
22	1-512-010007-11	NUT, HEX 5/8-11 GR2, ZP	1
23	105909	SCREW,RDHD,SQCK,5/16-18X3/4 (AFTER 08/01/2025)	10
23	1-654-010049-05	SCREW HX CP 5/16-18UNC X 1, GR5 (BEFORE 08/01/2025)	10
24	1-861-010034-10	WASHER, LKG 5/16 (BEFORE 08/01/2025)	10
25	1-512-010004-03	NUT HX FLANGE, 5/16-18 GR8 (AFTER 08/01/2025)	10
25	1-512-010007-06	NUT, HEX 5/16-18 (BEFORE 08/01/2025)	10
26	1-647-010004236	SPRING PIN, SLOTTED 5/16 X 1-1/2	1
27	1-647-010004217	SPRING PIN, SLOTTED 1/4 X 1-1/2	3
28	1-654-010059-01	SCREW, HX CP, 5/8-11UNC X 1, GR5	1
29	5K201	COLLAR	1
30	5K209	BRACKET	1
31	1-654-010051-05	SCREW,HEX CAP 3/8-16UNCX1 GR5 (AFTER 08/01/2025)	2
31	1-654-010051-06	SCREW, HEX CAP 3/8-16UNC X 1-1/4 (BEFORE 08/01/2025)	2
32	1-861-010034-11	WASHER, LKG HLCL SPR, 3/8 (BEFORE 08/01/2025)	2
33	1-512-010007-07	NUT, HEX 3/8-16, ZP (BEFORE 08/01/2025, QTY=4)	2
34	1K639	BUTTON	3
35	5K273	BUMPER BOLT	1
36	5K227	QUILL SHAFT W/BUSHING	1
37	4K956	ELECTRIC CLUTCH (SEE PAGE 1-42)	1

Transmission Assembly with Optional Clutch

ITEM	PART NUMBER	DESCRIPTION	QTY
38	1-861-010034-09	WASHER, LKG HLCL SPR, 1/4	3
39	1P340	HHCS, 1/4-20 X 1-1/8, GR5, ZP	3
40	2K504	CHAIN #40 X 110 PITCHES (INCLUDES CONNECTOR LINK)	1
40	119716	CONNECTING LINK #40 CHAIN (REPLACEMENT PART)	1
41	5K713	SPROCKET - 13 TOOTH (#40B 13 X 3/4, 5/16 ROLL)	1
42	9K440	BUSHING (0.76 X 1.0 X 0.688)	1
43	5K294	SWITCH BOX ASSY (NOT SHOWN) (SEE PAGE 1-44)	1
44	5K268	CABLE ASSY (NOT SHOWN)	1
45	2K538	SPACER (12FT MODEL ONLY)	1
46	1-654-010049-09	SCREW, HEX CAP, 5/16-18UNC X 2, GR5 (12FT MODEL ONLY)	2
47	1C213	STOVE BOLT #10-24 X 1/2 RD HD, ZP	8
48	1-861-010034-07	WASHER, LKG, HLCL SPR, NO 10	8
49	1-512-010007-03	NUT, HEX 10-24	8
50	9J392	COVER ASM TOP	1
51	9J395	COVER ASM	1
52	1-557-010327	PIN LYNCH 1/4X1-1/4	2
53	1-654-010055-01	SCR,HX CP 1/2-13UNCX1 GR5 (AFTER 08/01/2025)	1
54	1-512-010005-05	NUT, HEX, SLFLKG GRB 3/8-16 (AFTER 08/01/2025)	2

Electric Clutch - Optional

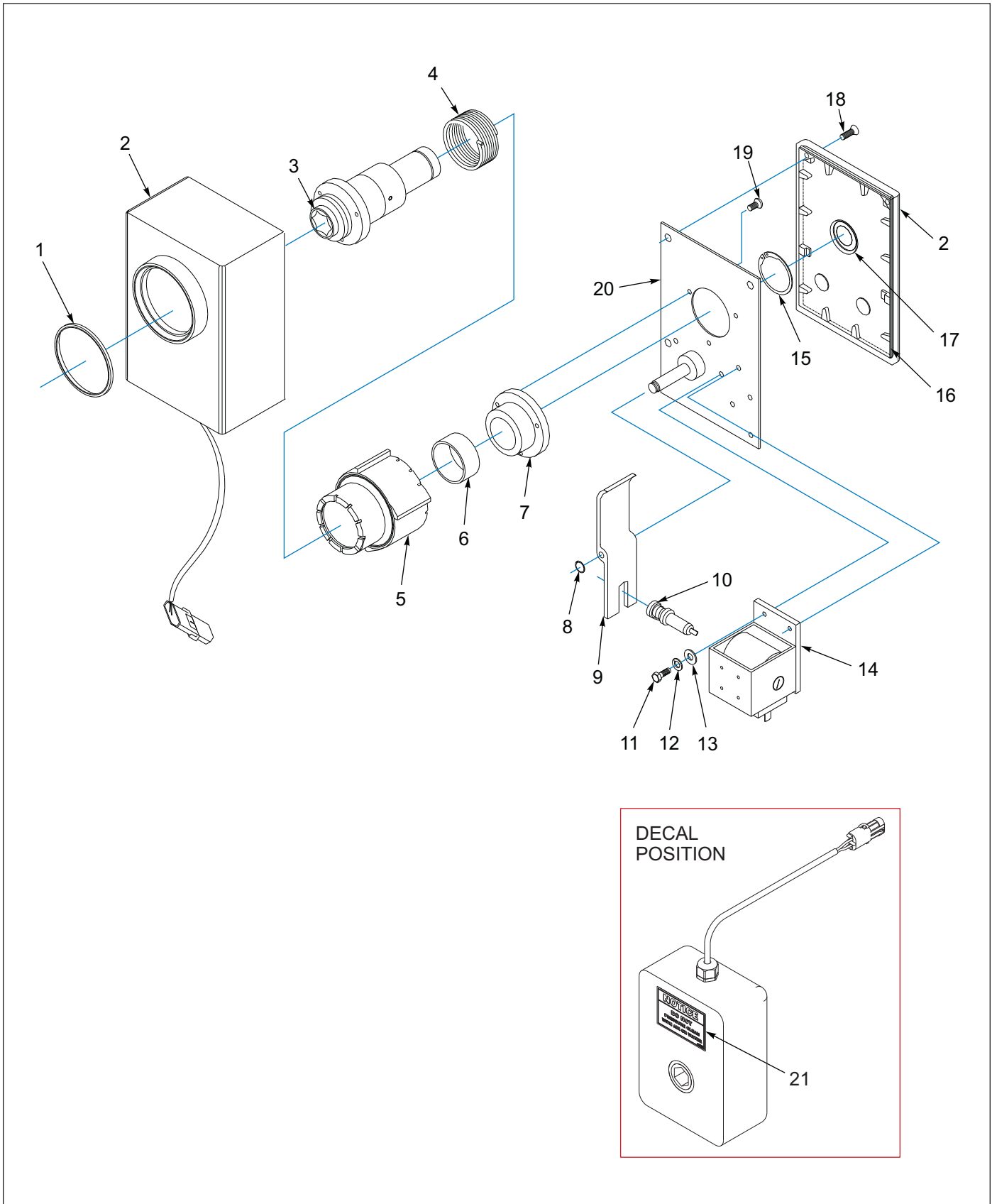


Figure 1-26: Electric Clutch - Optional

Electric Clutch - Optional

ITEM	PART NUMBER	DESCRIPTION	QTY
	4K956	ELECTRIC CLUTCH	1
1	-----	SEAL - ELEC CLUTCH	1
2	-----	COVER - ELEC CLUTCH	1
3	5K468	SHAFT ASSY - ELEC CLUTCH	1
4	5K470	DRIVE SPRING - ELEC CLUTCH	1
5	5K471	COLLAR SUB ASSY - ELEC CLUTCH	1
6	5K472	SLEEVE	1
7	5K473	FLANGED BRAKE HUB - ELEC CLUTCH	1
8	5K476	RETAINER RING EXT	1
9	-----	ACTUATOR LEVEL	1
10	-----	PLUNGER	1
11	121443	SOCKET HEAD CAPSCREW, #10-32 X 1/2"	2
12	1-861-010034-07	LOCK WASHER, #10	2
13	1-861-010032-03	FLAT WASHER, #10	2
14	-----	COIL KIT - ELEC CLUTCH (CCW)	1
15	5K474	RETAINER RING - ELEC CLUTCH	1
16	5K489	COVER O-RING	1
17	5K491	SEAL	1
18	-----	FLAT HEAD CAPSCREW, #10-32 X 3/4"	4
19	115958	BUTTON HEAD CAPSCREW, 1/4-20 X 1/2"	3
20	5K467	PLATE SUB ASSY - ELEC CLUTCH	1
21	192069	DECAL,DO NOT PRESSURE CLEAN	1

Clutch Switch Box - Optional

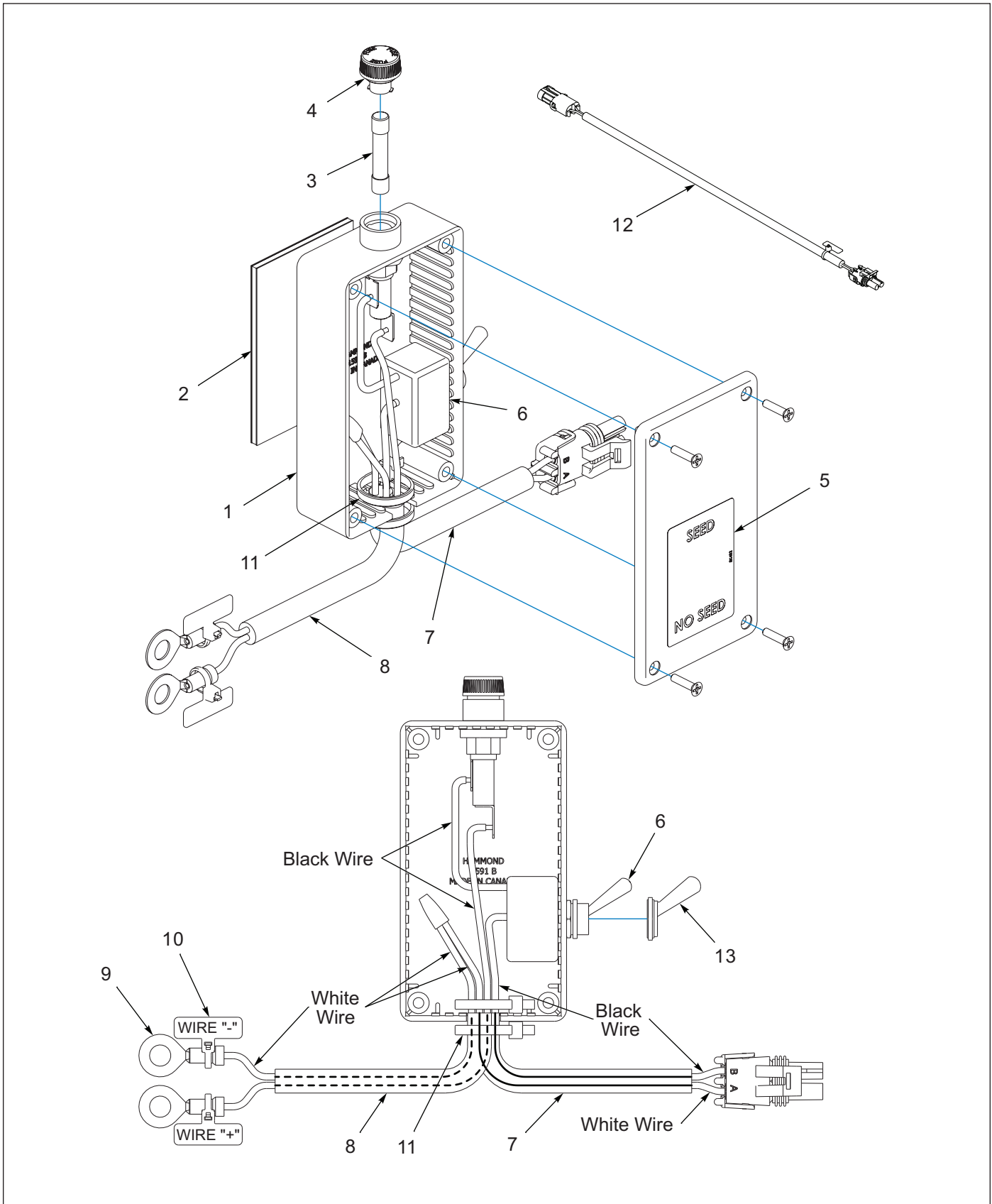


Figure 1-27: Clutch Switch Box - Optional

Clutch Switch Box - Optional

ITEM	PART NUMBER	DESCRIPTION	QTY
	5K294	SWITCH BOX ASSEMBLY (INCLUDES ITEMS 1-11)	1
1	5K398	SWITCH BOX (INCLUDES COVER AND 4 SCREWS)	1
2	5K416	FASTENER PANEL	1
3	5K400	FUSE - 5 AMP	1
4	2-318-010009	FUSE HOLDER, PANEL MOUNT	1
5	5K402	DECAL - SEED/NO SEED	1
6	3-272-010017	TOGGLE SWITCH	1
7	5K387	WIRE ASSEMBLY, 5FT	1
8	5K388	WIRE ASSEMBLY, 10FT	1
9	239-3646-6	TERMINAL 14AWG TO 5/16 RING	2
10	57081	TY-RAP WITH MARKING PAD	2
11	105-0214	TY WRAP	2
12	5K268	CABLE ASSEMBLY (20FT)	1
13	81264	RUBBER BOOT FOR ELECT SWITCH	1

Front Seed Box

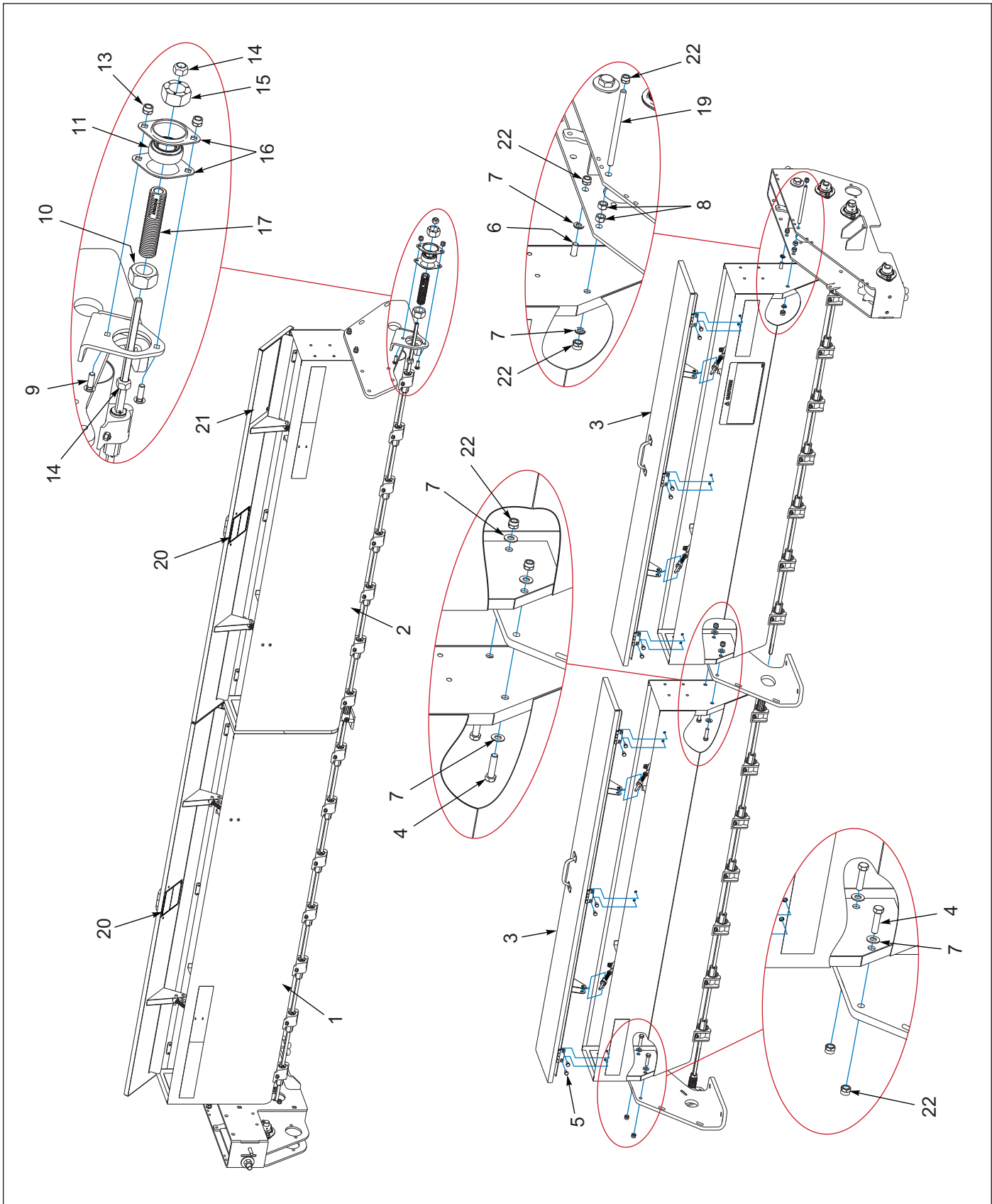


Figure 1-28: Front Seed Box (AFTER 08/2025)

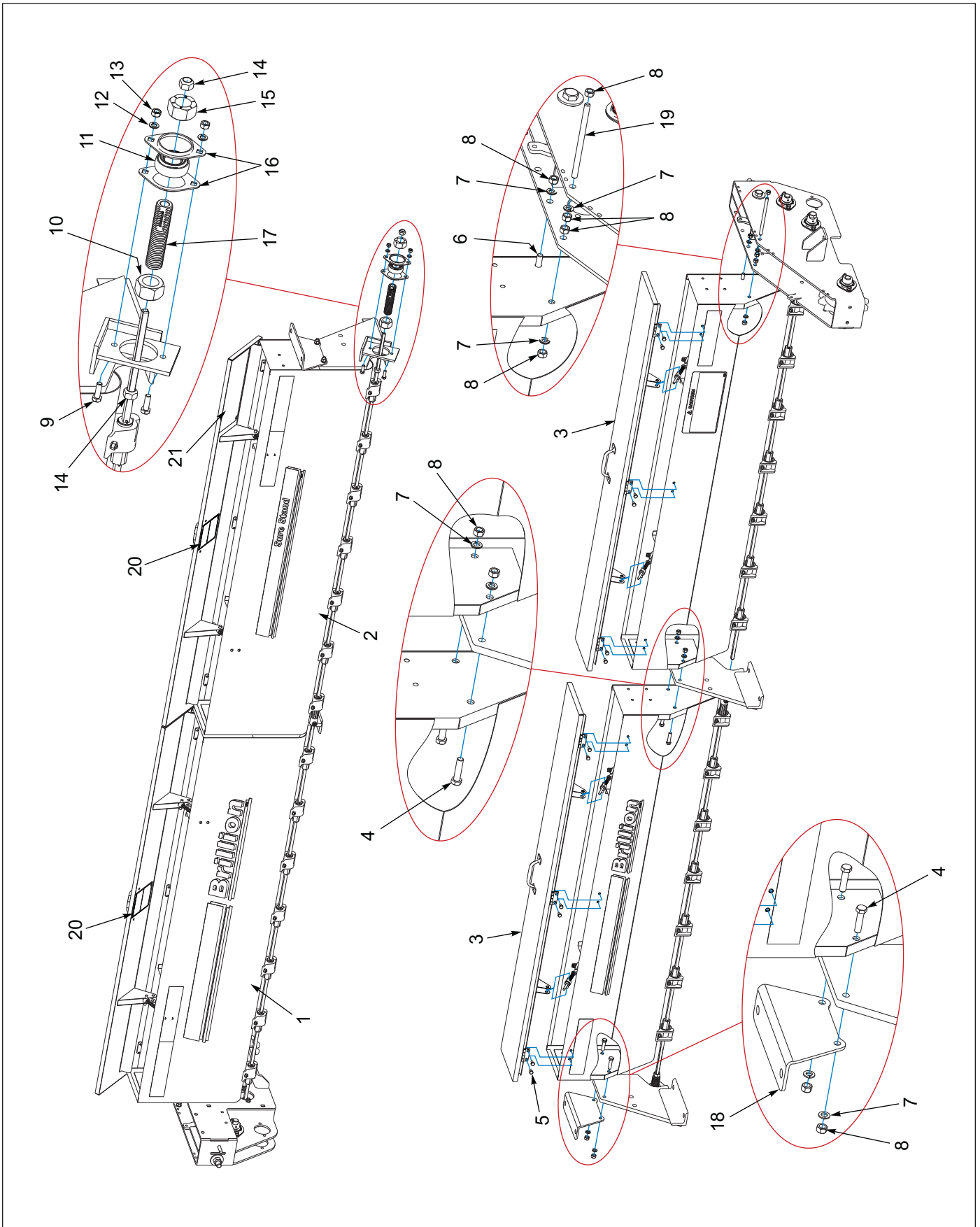


Figure 1-29: Front Seed Box (BEFORE 08/2025)

Front Seed Box

ITEM	PART NUMBER	DESCRIPTION	QTY
1	1K053	LH SS8 SEEDBOX ASSY-NO COVER	1
1	9J425	LH SS10 SEEDBOX ASSY-NO COVER	1
1	2K468	LH SS12 SEEDBOX ASSY-NO COVER	1
2	1K055	RH SS8 SEEDBOX ASSY-NO COVER	1
2	9J426	RH SS10 SEEDBOX ASSY-NO COVER	1
2	2K469	RH SS12 SEEDBOX ASSY-NO COVER	1
3	1K023	4' SEEDBOX COVER	2
3	9J415	SSP5/SS10 SEEDBOX COVER	2
3	2K453	COVER, SEEDBOX 6'	2
4	1-654-010051-07	SCREW, HEX CAP, 3/8-16UNC X 1-1/2	4
5	104877	SCREW, HX CP, 1/4-20 X 1/2, GR5	12
6	1-654-010051-05	SCREW, HEX CAP 3/8-16UNC X 1, GR5	1
7	1-861-010032-10	WASHER, FLAT 3/8" N ZP/CD (AFTER 08/2025)	8
7	1-861-010034-11	WASHER, LKG HLCL SPR, 3/8 (BEFORE 08/2025)	7
8	1-512-010007-07	NUT, HEX 3/8-16, ZP (BEFORE 08/2025, QTY=9) (AFTER 08/2025, QTY=2)	REF
9	105909	SCREW,RDHD,SQNCK,5/16-18X3/4 (AFTER 08/2025)	2
9	1-654-010049-05	SCREW, HX CP 5/16-18UNC X 1 (BEFORE 08/2025)	2
10	1-512-010007-14	NUT, HEX 1-8 GR2, ZP	1
11	238886	BEARING 1" (AFTER 02/2024)	1
11	4D413	BEARING (1 INCH BORE) (OBSOLETE AFTER 02/2024, REPLACE WITH 238886)	1
12	1-861-010034-10	WASHER, LKG 5/16 (BEFORE 08/2025)	2
13	126561	NUT,FLG HD,SERRATED,5/16-18ZP (AFTER 08/2025)	2
13	1-512-010007-06	NUT, HEX 5/16-18 (BEFORE 08/2025)	2
14	1-512-010005-09	NUT, HEX SLFLKG, 1/2-13 GRB	2
15	4D402	SEED RATE ADJUSTING NUT	1
16	1D617	FLANGETTE (HALF, 2 BOLT)	2
17	9J433	ADJUSTING SCREW	1
18	9K823	ANGLE, LIGHT BRKT (BEFORE 08/2025)	1
19	9J436	STUD	1
20	2K123	DECAL - 'WARNING'	2
21	1K052	DECAL-SS8 W/O AGIT SEED CHART (8FT)	1
21	9J432	DECAL-SS10 W/O AGIT SEED CHART (10FT)	1
21	2K096	DECAL-SS12 W/O AGIT SEED CHART (12FT)	1
22	1-512-010005-05	NUT, HEX, SLFLKG GRB 3/8-16 (AFTER 08/2025)	7

Front Seed Box Assembly, Left-Hand

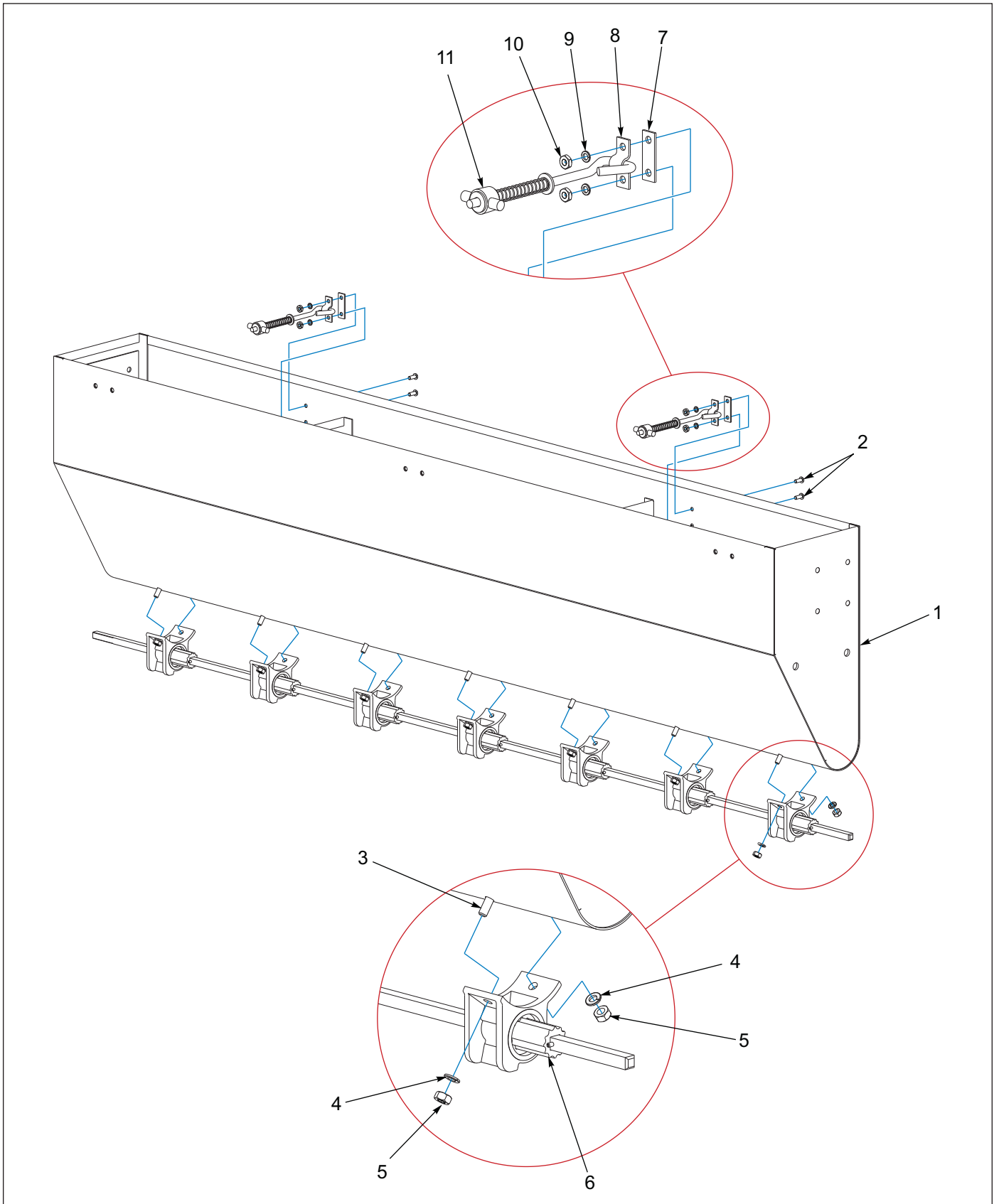


Figure 1-30: Front Seed Box Assembly, Left-Hand

Front Seed Box Assembly, Left-Hand

ITEM	PART NUMBER	DESCRIPTION	QTY		
			8'	10'	12'
		MODELS	8'	10'	12'
1	1K024	4' SS SEEDBOX - NO COVER	1	--	--
1	9J413	SSP5/SS10 SEEDBOX-NO COVER (SHOWN)	--	1	--
1	2K451	SEEDBOX 6' SS - NO COVER	--	--	1
2	1C213	STOVE BOLT #10-24X1/2 RD HD ZP	4	4	4
3	108213	SCREW, RD HD MACH 1/4-20 X 5/8	12	14	24
4	1-861-010034-09	WASHER, LKG HLCL SPR, 1/4	12	14	24
5	1-512-010007-05	NUT, HEX 1/4-20	12	14	24
6	1K054	SS8LH SEEDMETER ASSM (SEE PAGE 1-54)	1	--	--
6	9J427	SS10LH SEEDMETER ASSM (SEE PAGE 1-54) (SHOWN)	--	1	--
6	2K476	LH SS12 SEEDMETER ASSEMBLY (SEE PAGE 1-54)	--	--	1
7	7D937	WEAR STRIP	2	2	2
8	7D938	COVER LOCK CLIP	2	2	2
9	1-861-010034-07	WASHER, LKG,HLCL SPR NO 10	4	4	4
10	1-512-010007-03	NUT HEX 10-24	4	4	4
11	1C199	COVER LOCK ASSEMBLY (SEE PAGE 1-72)	2	2	2

Front Seed Box Assembly, Right-Hand

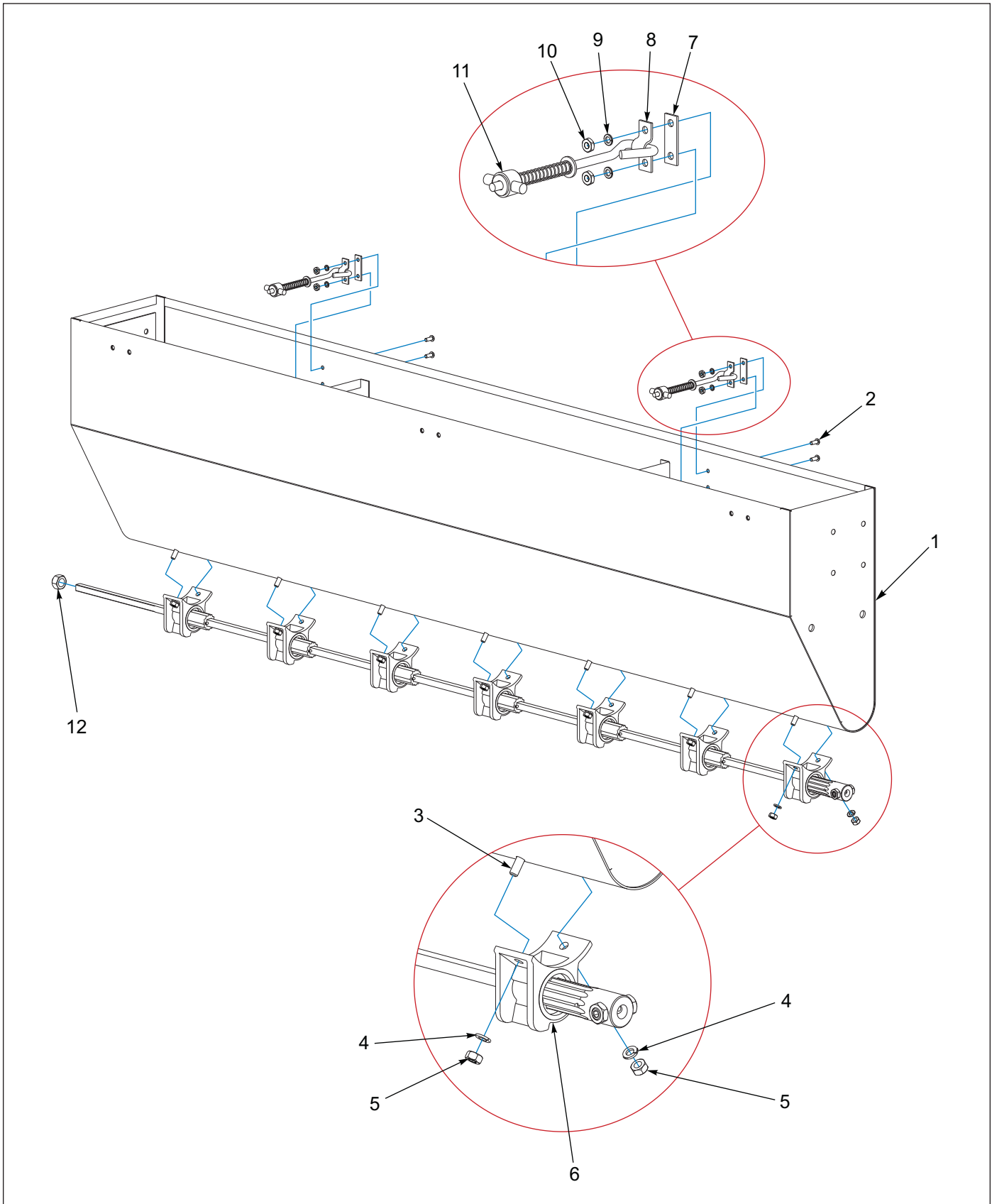


Figure 1-31: Front Seed Box Assembly, Right-Hand

Front Seed Box Assembly, Right-Hand

ITEM	PART NUMBER	DESCRIPTION	QTY		
			8'	10'	12'
		MODELS	8'	10'	12'
1	1K024	4' SS SEEDBOX - NO COVER	1	--	--
1	9J413	SSP5/SS10 SEEDBOX-NO COVER (SHOWN)	--	1	--
1	2K451	SEEDBOX 6' SS - NO COVER	--	--	1
2	1C213	STOVE BOLT #10-24X1/2 RD HD ZP	4	4	4
3	108213	SCREW, RD HD MACH 1/4-20 X 5/8	12	14	24
4	1-861-010034-09	WASHER, LKG HLCL SPR, 1/4	12	14	24
5	1-512-010007-05	NUT, HEX 1/4-20	12	14	24
6	1K056	SS8 RH SEEDMETER ASSM (SEE PAGE 1-55)	1	--	--
6	9J430	SS10 RH SEEDMETER ASSM (SEE PAGE 1-55) (SHOWN)	--	1	--
6	2K478	R.H. SS12 SEEDMETER ASSEMBLY (SEE PAGE 1-55)	--	--	1
7	7D937	WEAR STRIP	2	2	2
8	7D938	COVER LOCK CLIP	2	2	2
9	1-861-010034-07	WASHER, LKG, HLCL SPR NO 10	4	4	4
10	1-512-010007-03	NUT, HEX 10-24	4	4	4
11	1C199	COVER LOCK ASSEMBLY (SEE PAGE 1-72)	2	2	2
12	1-512-010005-09	NUT,HEX,SLFLKG, 1/2-13 GRB	1	1	1

Seed Meter Assembly, Left-Hand

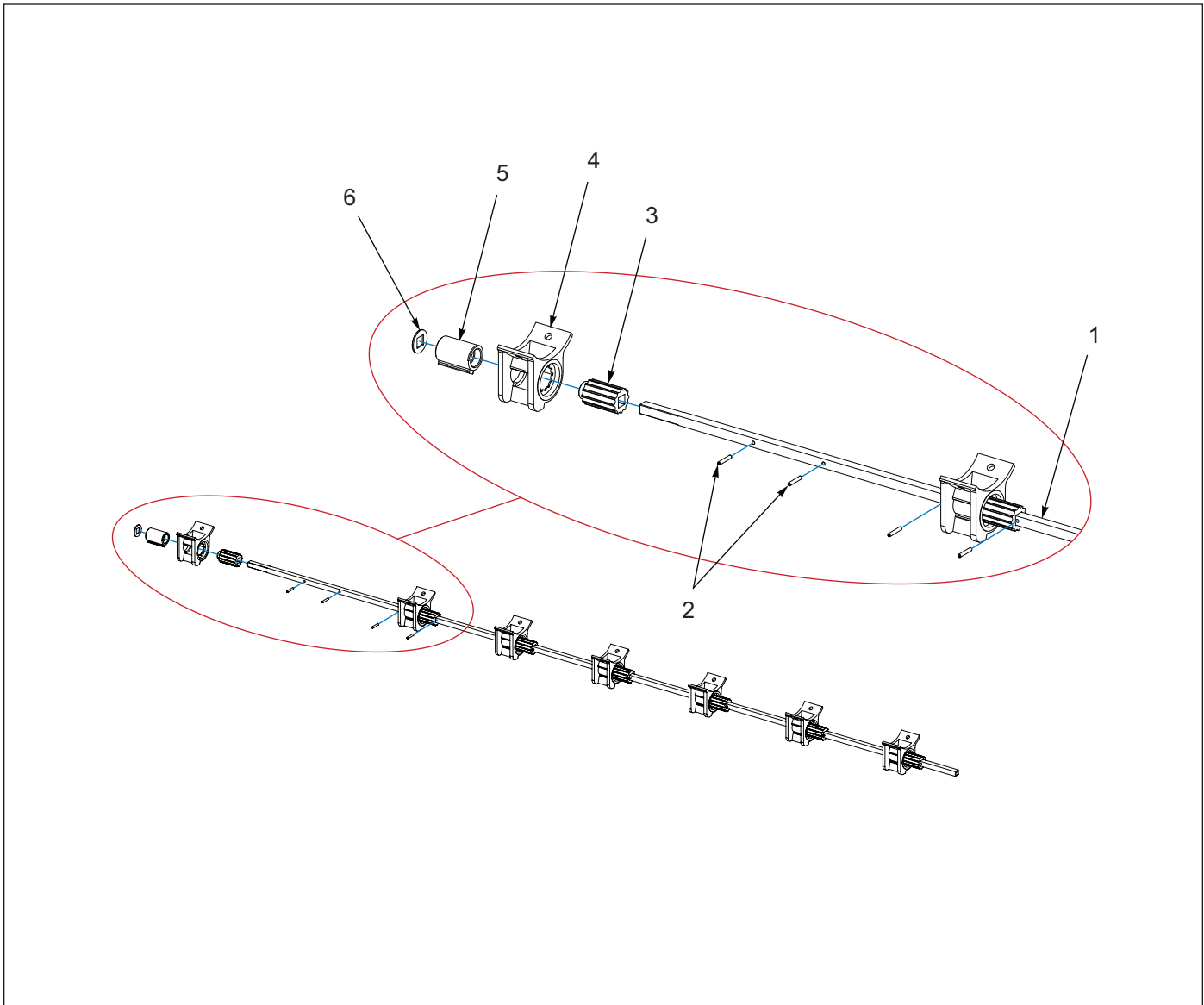


Figure 1-32: Seed Meter Assembly, Left-Hand

Seed Meter Assembly, Left-Hand

ITEM	PART NUMBER	DESCRIPTION	QTY		
			8'	10'	12'
		MODELS	8'	10'	12'
	1K054	SS8 LH SEEDMETER ASSM	1	--	--
	9J427	SS10 LH SEEDMETER ASSM (SHOWN)	--	1	--
	2K476	LH SS12 SEEDMETER ASSEMBLY	--	--	1
1	1K050	L.H. SEED SHAFT	1	--	--
1	9J428	L.H. SEEDMETER SHAFT	--	1	--
1	2K477	L.H. SEED SHAFT	--	--	1
2	1C272	ROLL PIN 1/8 X 3/4	12	14	24
3	155873	METER, FEED ROLL	6	7	12
4	155872	METER, PLASTIC CUP	6	7	12
5	155871	METER, FEED CUT OFF	6	7	12
6	1C245	CUTOFF WASHER	6	7	12

Seed Meter Assembly, Right-Hand

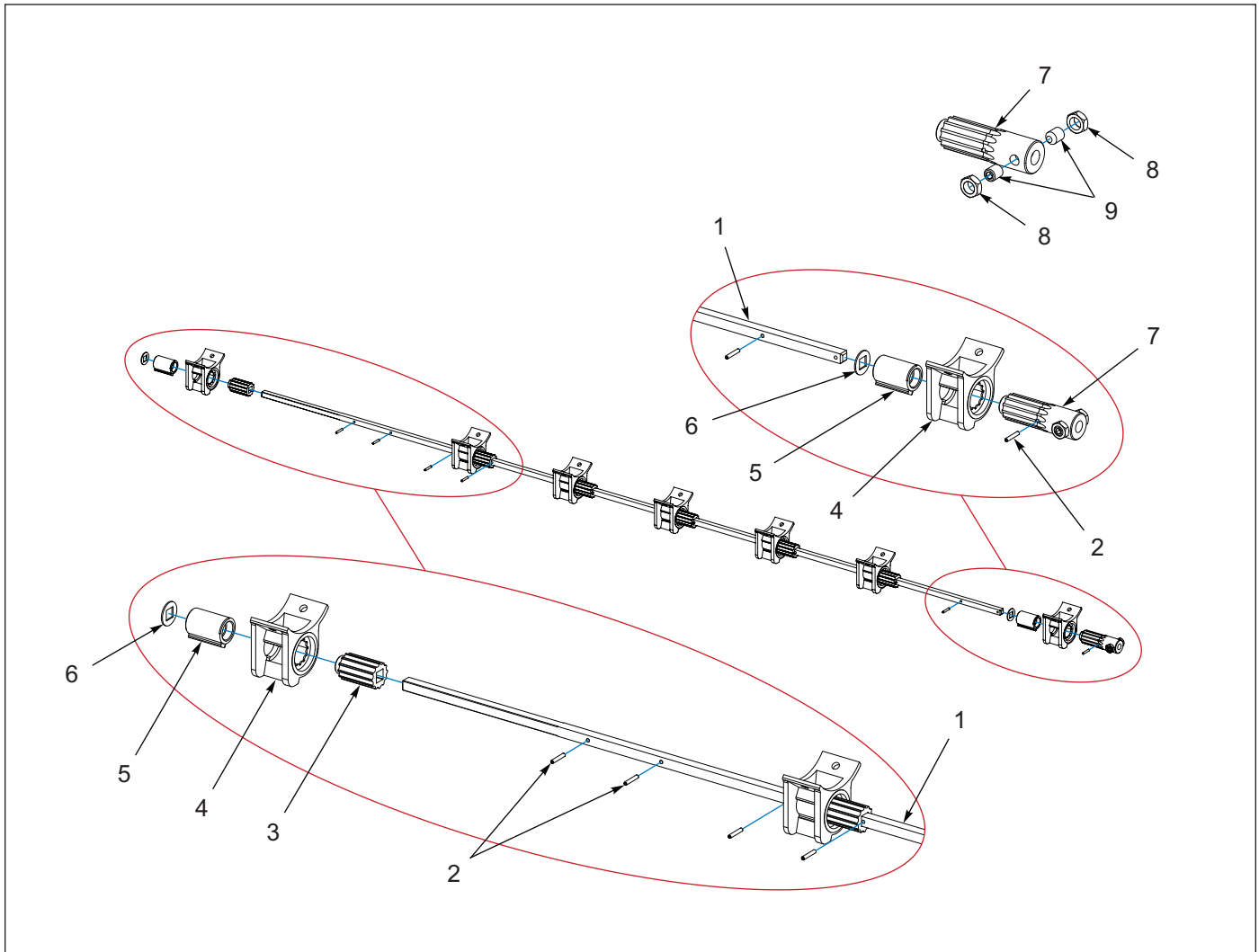


Figure 1-33: Seed Meter Assembly, Right-Hand

Seed Meter Assembly, Right-Hand

ITEM	PART NUMBER	DESCRIPTION	QTY		
			8'	10'	12'
		MODELS	8'	10'	12'
	1K056	SS8 RH SEEDMETER ASSM	1	--	--
	9J430	SS10 LH SEEDMETER ASSM (SHOWN)	--	1	--
	2K478	R.H. SS12 SEEDMETER ASSM	--	--	1
1	1K051	R.H. SEED SHAFT	1	--	--
1	9J431	R.H. SEED SHAFT	--	1	--
1	2K479	R.H. SEED SHAFT	--	--	1
2	1C272	ROLL PIN 1/8 X 3/4	12	14	24
3	155873	METER, FEED ROLL	5	6	11
4	155872	METER, PLASTIC CUP	6	7	12
5	155871	METER, FEED CUT OFF	6	7	12
6	1C245	CUTOFF WASHER	6	8	12
7	3C356	FEED ROLL COUPLING (INCLUDES ITEMS 8-9)	1	1	1
8	1-511-010001-03	NUT 3/8-16 HEX JAM	2	2	2
9	122709	SCREW, SET, HXSKTCPPT 3/8-16 X 1/2	2	2	2

Rear Seed Box

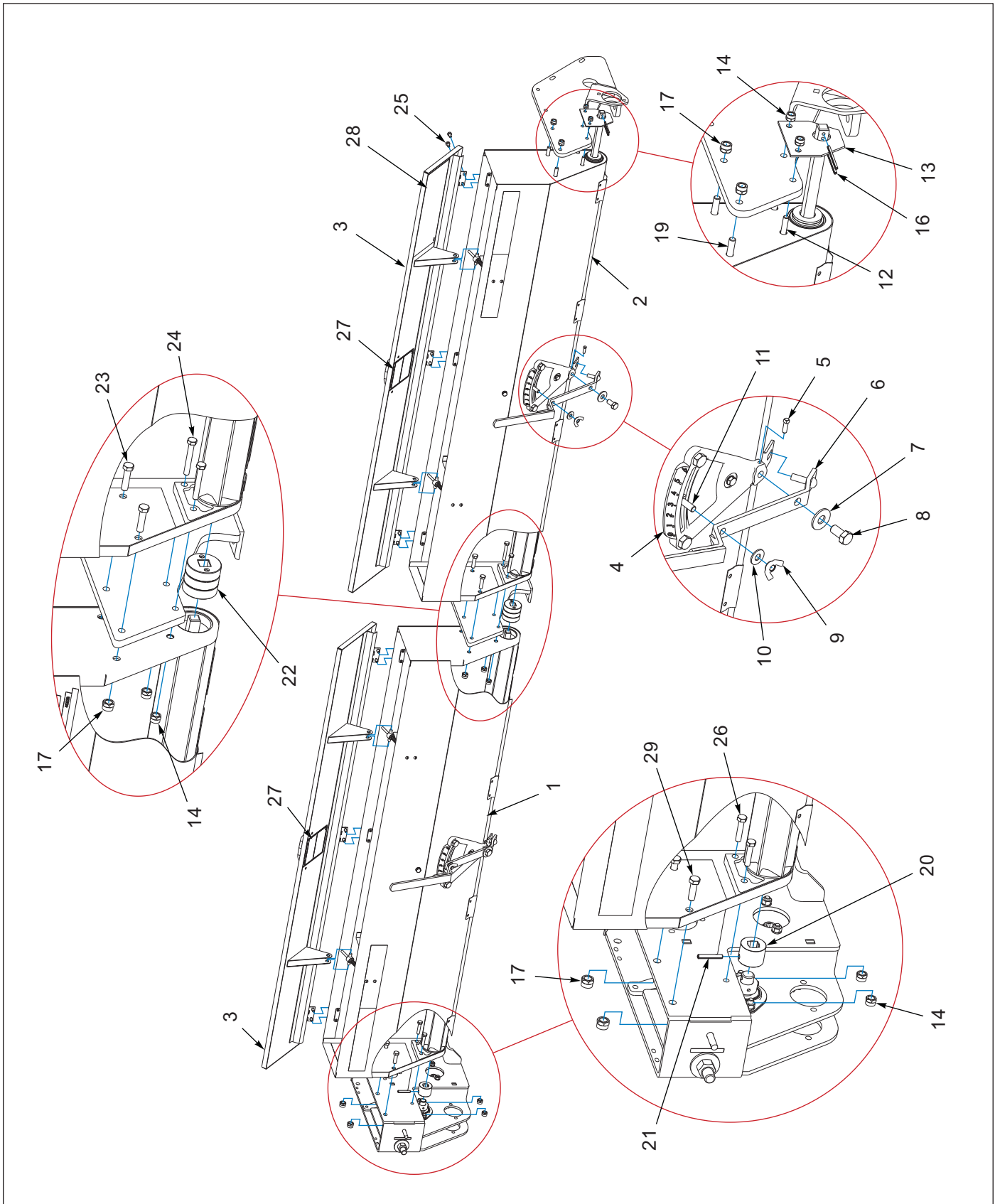


Figure 1-34: Rear Seed Box (After 08/2025)

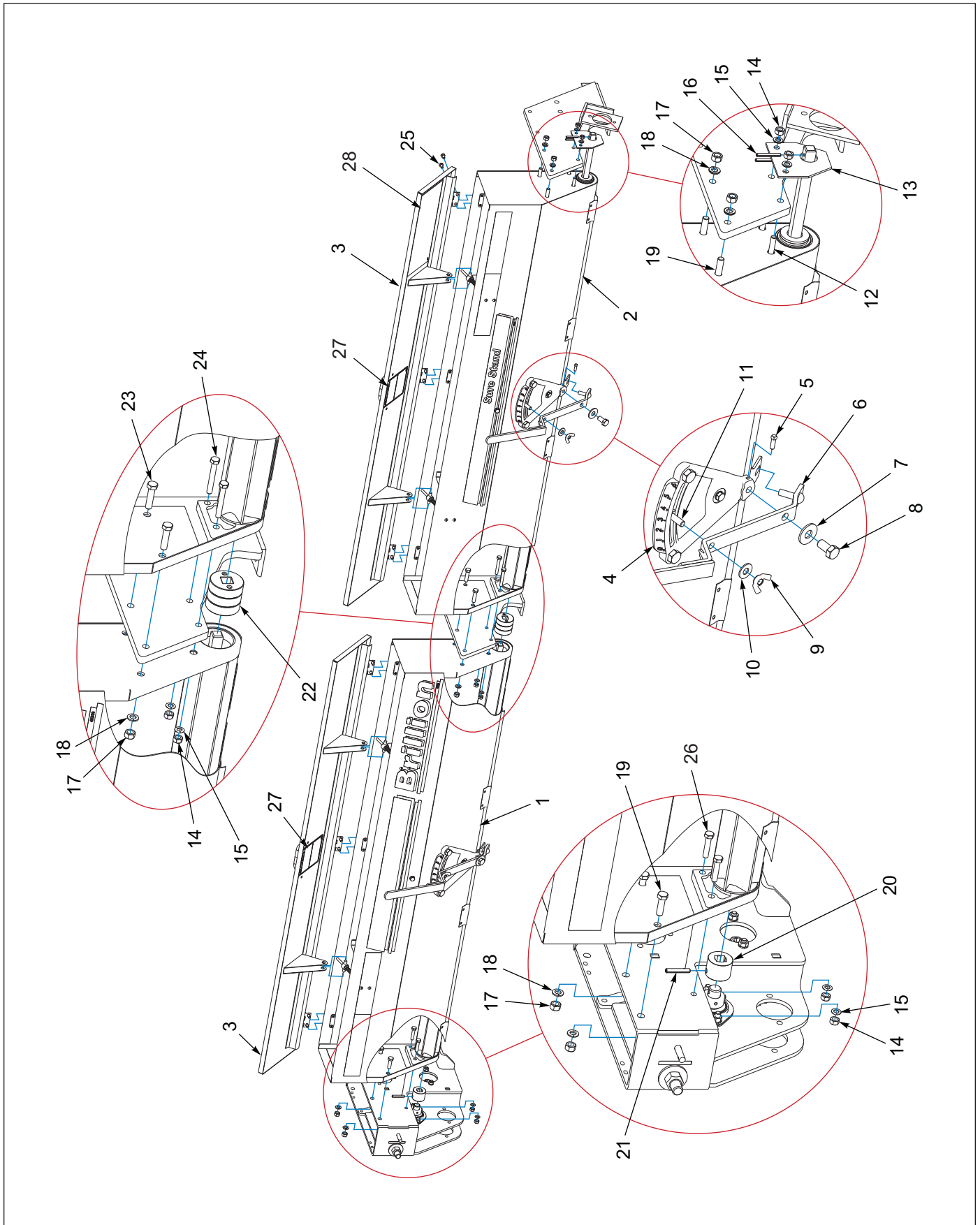


Figure 1-35: Rear Seed Box (Before 08/2025)

Rear Seed Box

ITEM	PART NUMBER	DESCRIPTION	QTY		
			8'	10'	12'
		MODELS	8'	10'	12'
1	1K060	LH SSB8 SEEDBOX ASSY-NO COVER (SEE PAGE 1-60)	1	--	--
1	9J416	LH SSB10 SEEDBOX ASSY-NO COVER (SEE PAGE 1-64)	--	1	--
1	2K492	LH SSB12 SEEDBOX ASSY-NO COVER (SEE PAGE 1-68)	--	--	1
2	1K061	RH SSB8 SEEDBOX ASSY-NO COVER (SEE PAGE 1-62)	1	--	--
2	9J417	RH SSB10 SEEDBOX ASSY-NO COVER (SEE PAGE 1-66)	--	1	--
2	2K493	RH SSB12 SEEDBOX ASSY-NO COVER (SEE PAGE 1-70)	--	--	1
3	1K023	4' SEEDBOX COVER	2	--	--
3	9J415	SSP5/SS10 SEEDBOX COVER	--	2	--
3	2K453	COVER, SEEDBOX 6'	--	--	2
4	2C662	RH SHIFTER PLATE (PART OF SEEDBOX ASM)	2	2	2
5	1-654-010077-2	SET SCREW, 1/4 X 3/4 SQHD CP PT	2	2	2
6	9J422	SHIFTER HANDLE	2	2	2
7	1-861-010032-15	WASHER, FLAT 1/2 W, ZP/CD	2	2	2
8	1-654-010055-01	SCR,HX CP 1/2-13UNCX1 GR5	2	2	2
9	155628	NUT WING 318-16 UNC (AFTER 08/2025)	2	2	2
9	1C217	WING NUT 3/8-16NC, ZP (PART OF SEEDBOX ASM) (BEFORE 08/2025)	2	2	2
10	1-861-010032-11	WASHER, FLAT 3/8 W, ZP/CD (PART OF SEEDBOX ASM)	2	2	2
11	1C606	MACH BOLT 3/8-16X1 SQHD PLT (PART OF SEEDBOX ASM)	2	2	2
12	1-654-010049-08	SCREW, HX CP, 5/16-18UNC X 1-3/4	2	2	2
13	9J412	RETAINER	1	1	1
14	1-512-010005-03	NUT HEX SLFLKG GRB 5/16-18 (AFTER 08/2025)	6	6	6
14	1-512-010007-06	NUT, HEX 5/16-18 (BEFORE 08/2025)	6	6	6
15	1-861-010034-10	WASHER, LKG 5/16 (BEFORE 08/2025)	6	6	6
16	1-647-010004177	PIN, SPRINGS, SLTD 3/16 X 1-1/2	2	2	2
17	1-512-010005-05	NUT, HEX, SLFLKG GRB 3/8-16 (AFTER 08/2025)	6	6	6
17	1-512-010007-07	NUT, HEX 3/8-16, ZP (BEFORE 08/2025)	6	6	6
18	1-861-010034-11	WASHER, LKG HLCL SPR, 3/8 (BEFORE 08/2025)	6	6	6
19	1-654-010051-06	SCREW, HEX CAP 3/8-16UNC X 1-1/4 (BEFORE 08/2025, QTY=4)	2	2	2
20	9J411	COUPLING	1	1	1
20	185982	COUPLING WITH MAGNET (OPTIONAL)	1	1	1
21	1-647-010004217	SPRING PIN, SLOTTED 1/4 X 1-1/2	1	1	1
22	9J423	REAR BOX BUSHING CENTER	1	1	1
23	1-654-010051-07	SCREW, HEX CAP, 3/8-16UNC X 1-1/2	2	2	2
24	108628	SCREW, HX CP 5/16-18UNC X 2-1/4	2	2	2
25	104877	SCREW, HX CP, 1/4-20 X 1/2, GR5	12	12	12
26	1-654-010049-06	SCREW,H/CAP,5/16-18UNCX1-1/4 (AFTER 08/2025)	2	2	2
26	1-654-010049-07	SCREW, HX CP 5/16-18UNC X 1-1/2 (BEFORE 08/2025)	2	2	2
27	2K123	DECAL - 'WARNING'	2	2	2
28	9J424	DECAL-AGIT BOX SEED CHART	1	1	1
29	1-654-010051-05	SCREW,HEX CAP 3/8-16UNCX1 GR5 (AFTER 08/2025)	2	2	2

Rear Seed Box Assembly, Left-Hand - 8FT

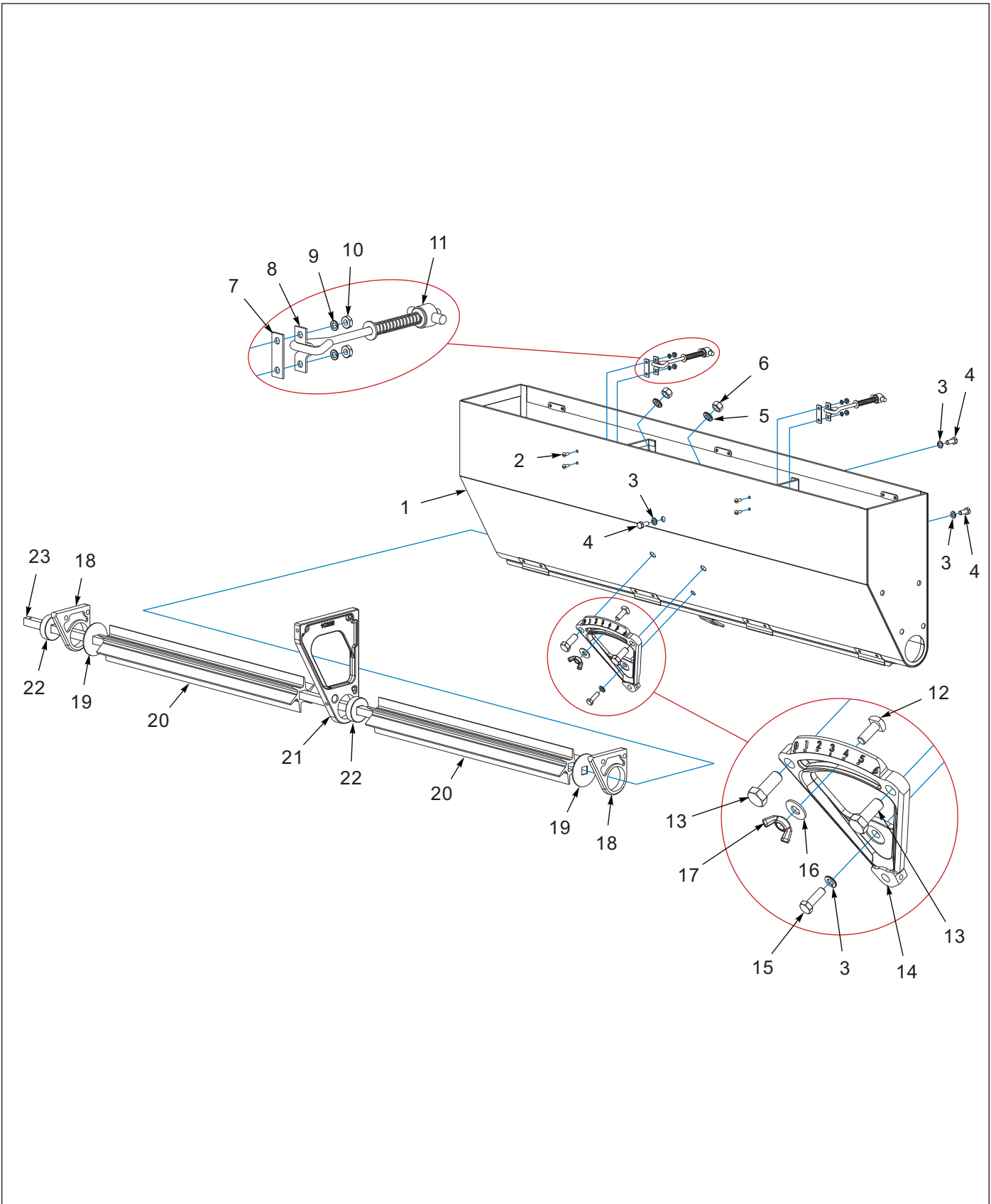


Figure 1-36: Rear Seed Box Assembly, Left-Hand - 8FT

Rear Seed Box Assembly, Left-Hand - 8FT

ITEM	PART NUMBER	DESCRIPTION	QTY
	1K060	LH SSB8 SEEDBOX ASSY-NO COVER	1
1	1K025	4' AGITATOR SEEDBOX-NO COVER	1
2	1C213	STOVE BOLT #10-24X1/2 RD HD ZP	4
3	1-861-010034-10	WASHER, LKG 5/16	4
4	1-654-010049-03	SCREW, HX CP 5/16-18UNC X 3/4, GR5	3
5	1-861-010034-13	WASHER, LKG HLCL SPR, 1/2	2
6	1-512-010007-09	NUT, HEX 1/2-13, ZP	2
7	7D937	WEAR STRIP	2
8	7D938	COVER LOCK CLIP	2
9	1-861-010034-07	WASHER, LKG,HLCL SPR NO 10	4
10	1-512-010007-03	NUT HEX 10-24	4
11	1C199	COVER LOCK ASSEMBLY (SEE PAGE 1-72)	2
12	1C606	MACH BOLT 3/8-16 X 1 SQHD PLT	1
13	1-654-010055-02	SCREW 1/2-13UNC X 1-1/4 CP, G5	2
14	2C662	RH SHIFTER PLATE	1
15	1-654-010049-05	SCREW HX CP 5/16-18UNC X 1, GR5	1
16	1-861-010032-11	WASHER, FLAT 3/8 W, ZP/CD	1
17	155628	NUT WING 3/8-16 UNC (AFTER 08/2025)	1
17	1C217	WING NUT 3/8-16NC, ZP (BEFORE 08/2025)	1
18	9D793	BOX END BEARING	2
19	2C809	WASHER, SQ BORE 12GA	4
19	8J564	WASHER, SQ BORE 14GA	4
20	6K603	BLADE AGITATOR 22-1/2 (FEATURE)	2
21	1C339	AGITATOR BEARING	1
22	2C808	BUSHING	2
23	1K058	SHAFT, LH AGITATOR	1

Rear Seed Box Assembly, Right-Hand - 8FT

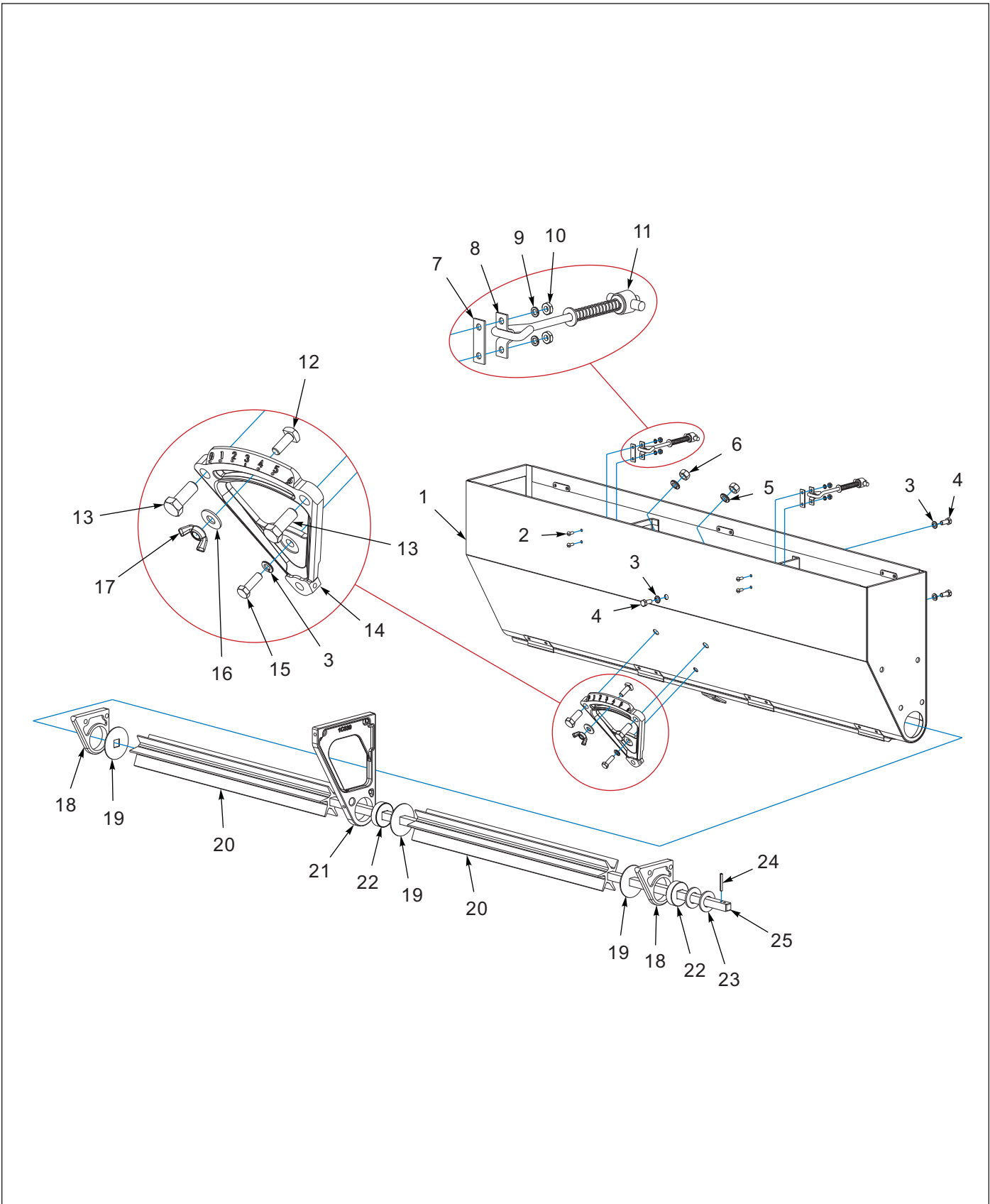


Figure 1-37: Rear Seed Box Assembly, Right-Hand - 8FT

Rear Seed Box Assembly, Right-Hand - 8FT

ITEM	PART NUMBER	DESCRIPTION	QTY
	1K061	RH SSB8 SEEDBOX ASSY-NO COVER	1
1	1K025	4' AGITATOR SEEDBOX-NO COVER	1
2	1C213	STOVE BOLT #10-24X1/2 RD HD ZP	4
3	1-861-010034-10	WASHER, LKG, 5/16	4
4	1-654-010049-03	SCREW HX CP 5/16-18UNC X 3/4, GR5	3
5	1-861-010034-13	WASHER, LKG HLCL SPR, 1/2	2
6	1-512-010007-09	NUT, HEX 1/2-13, ZP	2
7	7D937	WEAR STRIP	2
8	7D938	COVER LOCK CLIP	2
9	1-861-010034-07	WASHER, LKG,HLCL SPR NO 10	4
10	1-512-010007-03	NUT HEX, 10-24	4
11	1C199	COVER LOCK ASSEMBLY (SEE PAGE 1-72)	2
12	1C606	MACH BOLT 3/8-16 X 1 SQHD PLT	1
13	1-654-010055-02	SCREW 1/2-13UNC X 1-1/4 CP, G5	2
14	2C662	RH SHIFTER PLATE	1
15	1-654-010049-05	SCREW HX CP 5/16-18UNC X 1, GR5	1
16	1-861-010032-11	WASHER, FLAT 3/8 W, ZP/CD	1
17	155628	NUT WING 3/8-16 UNC (AFTER 08/2025)	1
17	1C217	WING NUT, 3/8-16NC, ZP (BEFORE 08/2025)	1
18	9D793	BOX END BEARING	2
19	2C809	WASHER, SQ BORE 12 GA	4
19	8J564	WASHER,SQ. BORE 14 GA	4
20	6K603	BLADE AGITATOR 22-1/2 (FEATURE)	2
21	1C339	AGITATOR BEARING	1
22	2C808	BUSHING	2
23	1-861-010032-22	WASHER, FL 7/8, ZP/CD	2
24	1-647-010004177	PIN, SPRINGS, SLTD 3/16 X 1-1/2	1
25	1K059	SHAFT, RH AGITATOR	1

Rear Seed Box Assembly, Left-Hand - 10FT

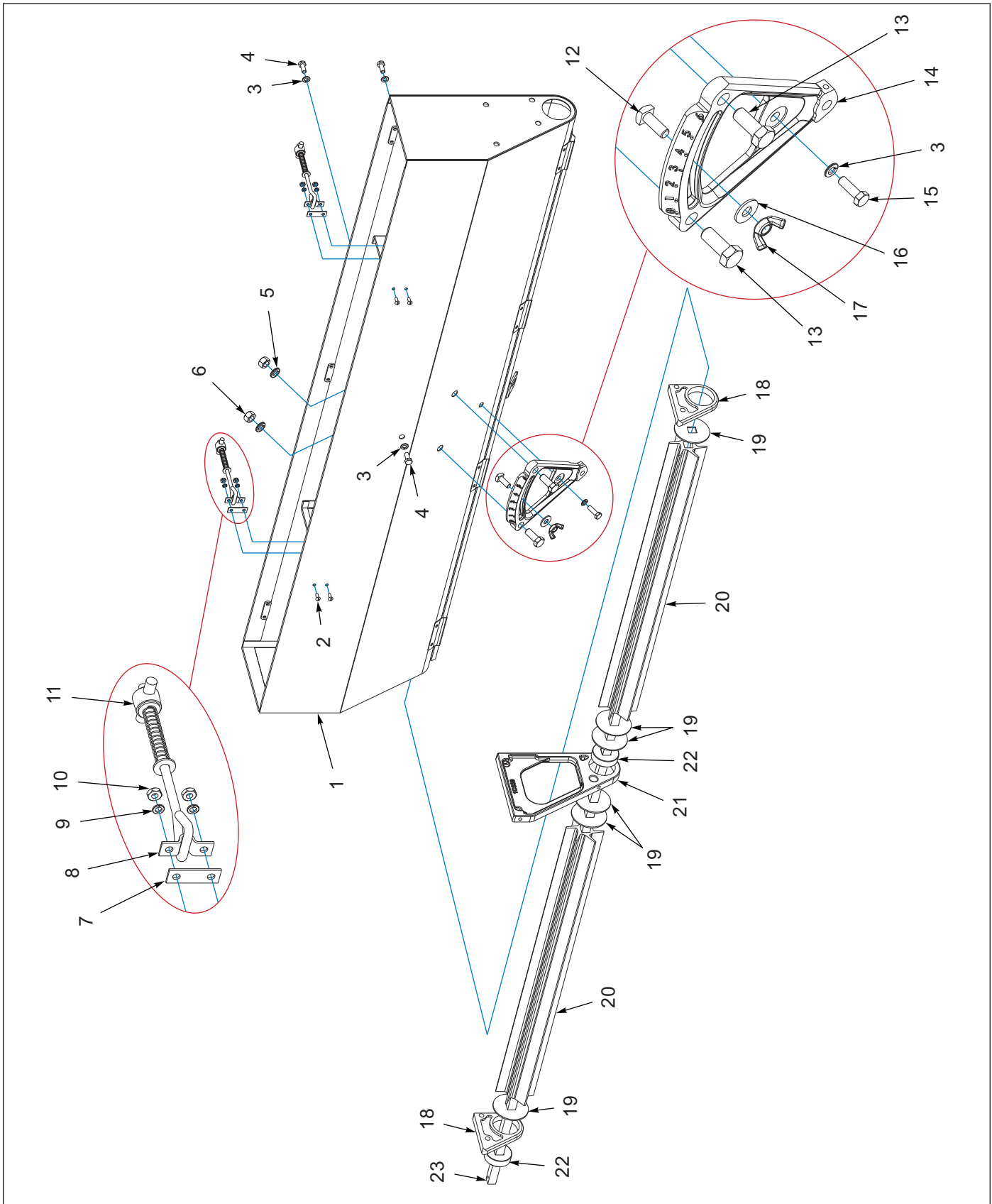


Figure 1-38: Rear Seed Box Assembly, Left-Hand - 10FT

Rear Seed Box Assembly, Left-Hand - 10FT

ITEM	PART NUMBER	DESCRIPTION	QTY
	9J416	LH SSB10 SEEDBOX ASSY- NO COVER	1
1	9J414	AGITATOR SEEDBOX 5'- NO COVER	1
2	1C213	RND HD, #10-24 X 1/2, ZP	4
3	1-861-010034-10	WASHER, LKG 5/16	4
4	1-654-010049-03	SCREW, HX CP 5/16-18UNC X 3/4, GR5	3
5	1-861-010034-13	WASHER, LKG HLCL SPR, 1/2	2
6	1-512-010007-09	NUT, HEX 1/2-13, ZP	2
7	7D937	WEAR STRIP	2
8	7D938	COVER LOCK CLIP	2
9	1-861-010034-07	WASHER, LKG,HLCL SPR NO 10	4
10	1-512-010007-03	NUT, HEX, 10-24	4
11	1C199	COVER LOCK ASSEMBLY (SEE PAGE 1-72)	2
12	1C606	MACH BOLT 3/8-16 X 1 SQHD PLT	1
13	1-654-010055-02	SCREW, 1/2-13UNC X 1-1/4 CP, G5	2
14	2C662	RH SHIFTER PLATE	1
15	1-654-010049-05	SCREW HX CP 5/16-18UNC X 1, GR5	1
16	1-861-010032-11	WASHER, FLAT 3/8 W, ZP/CD	1
17	155628	NUT WING 3/8-16 UNC (AFTER 08/2025)	1
17	1C217	WING NUT 3/8-16NC, ZP (BEFORE 08/2025)	1
18	9D793	BOX END BEARING	2
19	2C809	WASHER, SQ BORE 12GA	6
19	8J564	WASHER, SQ BORE 14GA	6
20	6K604	BLADE AGITATOR 28-1/2 (FEATURE)	2
21	1C339	AGITATOR BEARING	1
22	2C808	BUSHING	2
23	9J418	AGITATOR SHAFT LH	1

Rear Seed Box Assembly, Right-Hand - 10FT

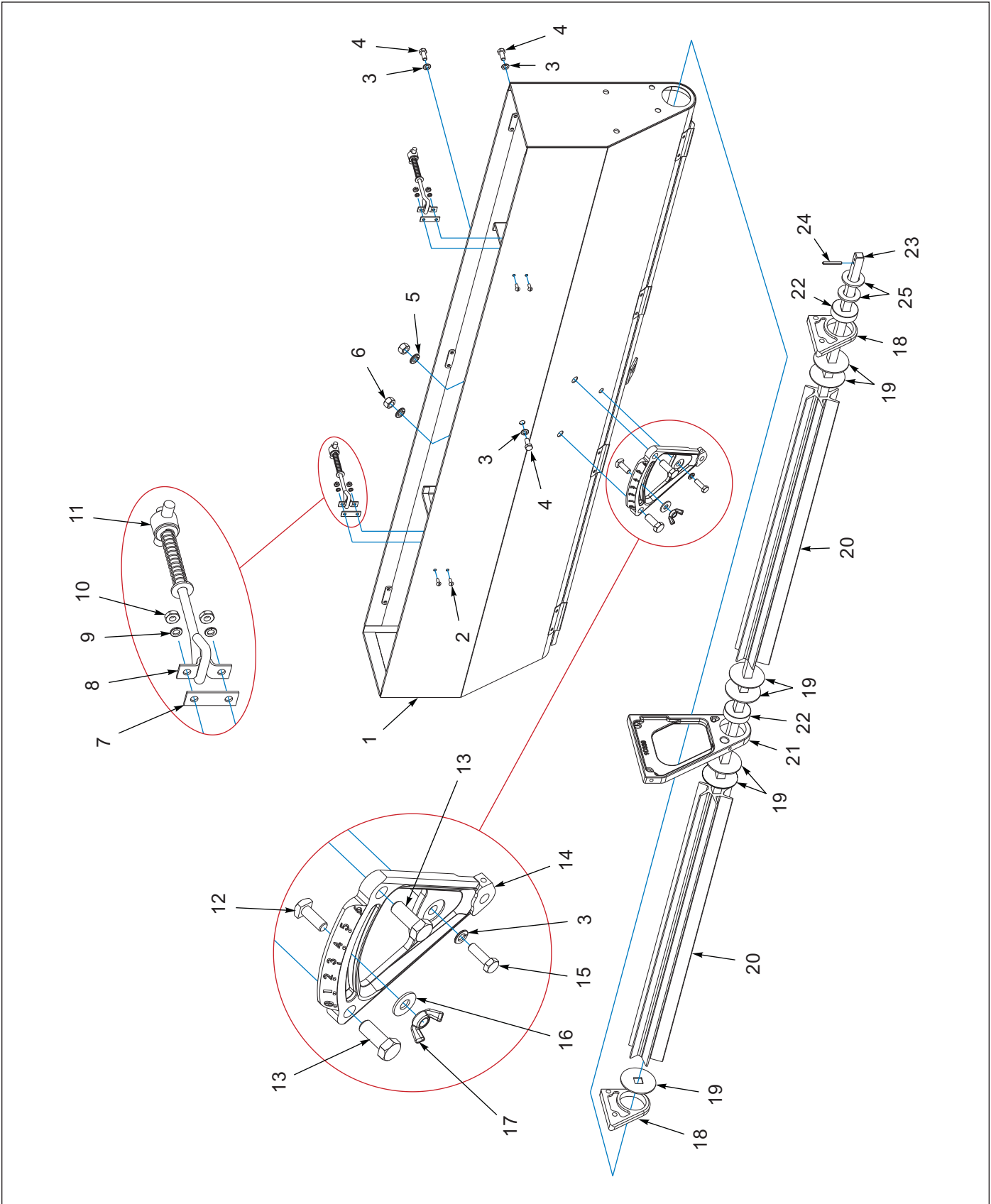


Figure 1-39: Rear Seed Box Assembly, Right-Hand - 10FT

Rear Seed Box Assembly, Right-Hand - 10FT

ITEM	PART NUMBER	DESCRIPTION	QTY
	9J417	RH SSB10 SEEDBOX ASSY- NO COVER	1
1	9J414	AGITATOR SEEDBOX 5'- NO COVER	1
2	1C213	RND HD, #10-24 X 1/2, ZP	4
3	1-861-010034-10	WASHER, LKG 5/16	4
4	1-654-010049-03	SCREW HX CP 5/16-18UNC X 3/4, GR5	3
5	1-861-010034-13	WASHER, LKG HLCL SPR, 1/2	2
6	1-512-010007-09	NUT, HEX 1/2-13, ZP	2
7	7D937	WEAR STRIP	2
8	7D938	COVER LOCK CLIP	2
9	1-861-010034-07	WASHER, LKG,HLCL SPR NO 10	4
10	1-512-010007-03	NUT, HEX, 10-24	4
11	1C199	COVER LOCK ASSEMBLY (SEE PAGE 1-72)	2
12	1C606	MACH BOLT 3/8-16 X 1 SQHD PLT	1
13	1-654-010055-02	SCREW, 1/2-13UNC X 1-1/4 CP, G5	2
14	2C662	RH SHIFTER PLATE	1
15	1-654-010049-05	SCREW, HX CP 5/16-18UNC X 1, GR5	1
16	1-861-010032-11	WASHER, FLAT 3/8 W, ZP/CD	1
17	155628	NUT WING 3/8-16 UNC (AFTER 08/2025)	1
17	1C217	WING NUT, 3/8-16NC, ZP (BEFORE 08/2025)	1
18	9D793	BOX END BEARING	2
19	2C809	WASHER, SQ BORE 12GA	6
19	8J564	WASHER, SQ BORE 14GA	6
20	6K604	BLADE AGITATOR 28-1/2 (FEATURE)	2
21	1C339	AGITATOR BEARING	1
22	2C808	BUSHING	2
23	9J419	AGITATOR SHAFT R.H.	1
24	1-647-010004177	PIN, SPRINGS, SLTD 3/16 X 1-1/2	1
25	1-861-010032-22	WASHER, FL 7/8, ZP/CD	2

Rear Seed Box Assembly, Left-Hand - 12FT

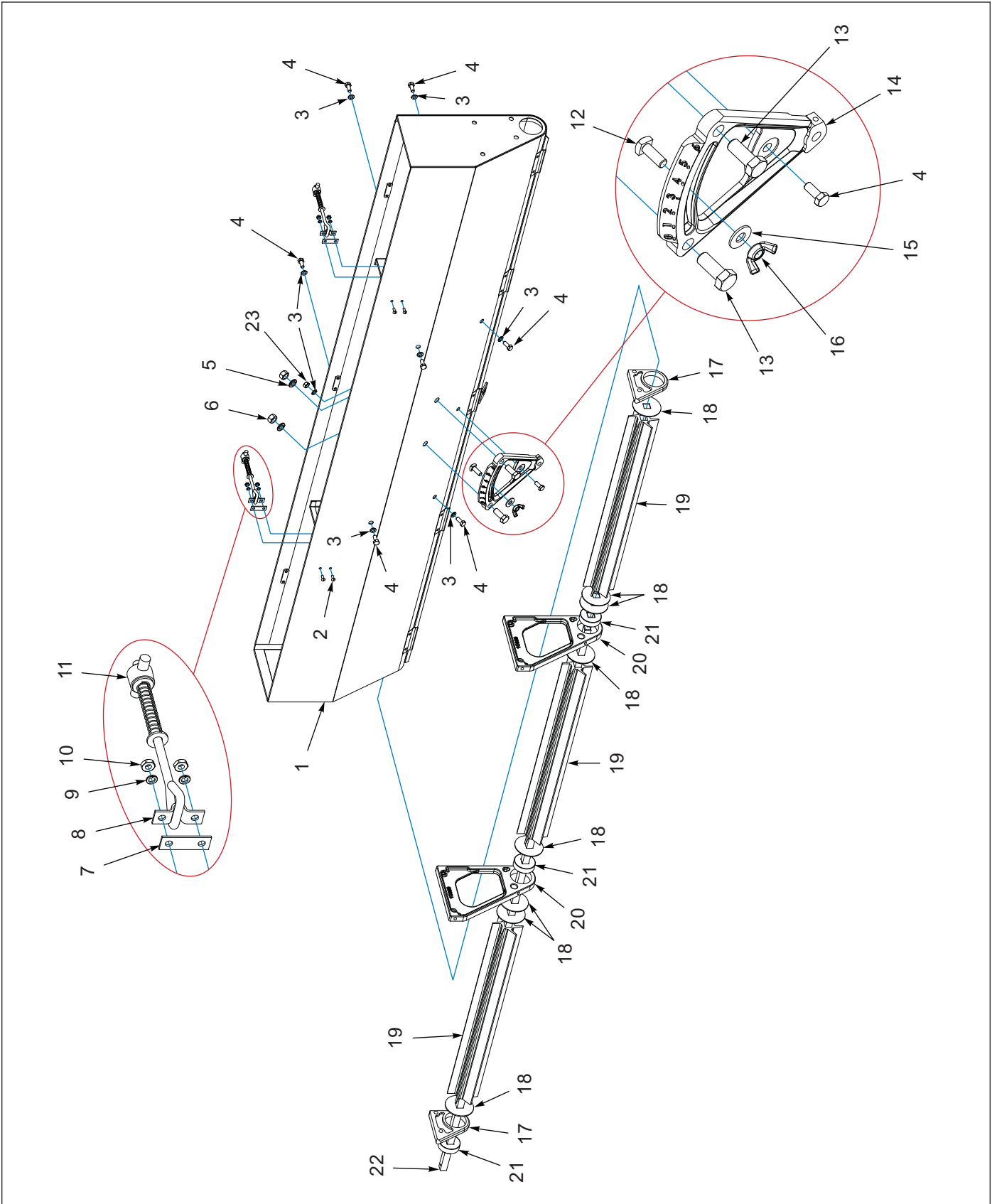


Figure 1-40: Rear Seed Box Assembly, Left-Hand - 12FT

Rear Seed Box Assembly, Left-Hand - 12FT

ITEM	PART NUMBER	DESCRIPTION	QTY
	2K492	LH SSB12 SEEDBOX ASSY- NO COVER	1
1	2K452	AGITATOR SEEDBOX 6'- NO COVER	1
2	1C213	RND HD, #10-24 X 1/2, ZP	4
3	1-861-010034-10	WASHER, LKG 5/16	9
4	1-654-010049-03	SCREW, HX CP 5/16-18UNC X 3/4, GR5	9
5	1-861-010034-13	WASHER, LKG HLCL SPR, 1/2	2
6	1-512-010007-09	NUT, HEX 1/2-13, ZP	2
7	7D937	WEAR STRIP	2
8	7D938	COVER LOCK CLIP	2
9	1-861-010034-07	WASHER, LKG, HLCL SPR NO 10	4
10	1-512-010007-03	NUT, HEX, 10-24	4
11	1C199	COVER LOCK ASSEMBLY (SEE PAGE 1-72)	2
12	1C606	MACH BOLT 3/8-16 X 1 SQHD PLT	1
13	1-654-010055-02	SCREW, 1/2-13UNC X 1-1/4 CP, G5	2
14	2C662	RH SHIFTER PLATE	1
15	1-861-010032-11	WASHER, FLAT 3/8 W, ZP/CD	1
16	155628	NUT WING 3/8-16 UNC (AFTER 08/2025)	1
16	1C217	WING NUT 3/8-16NC, ZP (BEFORE 08/2025)	1
17	9D793	BOX END BEARING	2
18	2C809	WASHER, SQ BORE 12GA	6
18	8J564	WASHER, SQ BORE 14GA	6
19	7K656	BLADE, AGITATOR, 22-7/8 (FEATURE)	3
20	1C339	AGITATOR BEARING	2
21	2C808	BUSHING	3
22	2K494	AGITATOR SHAFT L.H.	1
23	1-512-010007-06	NUT, HEX 5/16-18	1

Rear Seed Box Assembly, Right-Hand - 12FT

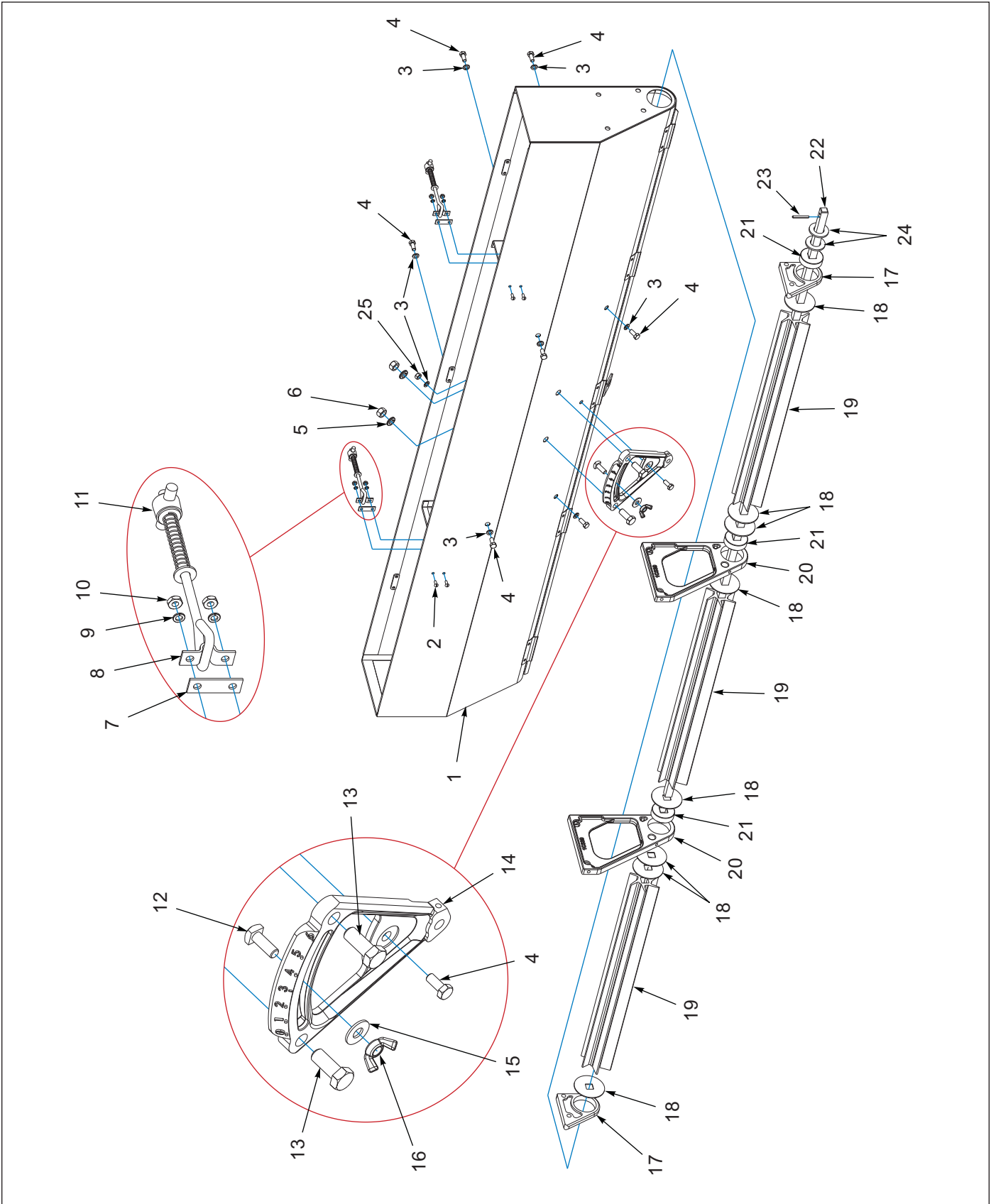


Figure 1-41: Rear Seed Box Assembly, Right-Hand - 12FT

Rear Seed Box Assembly, Right-Hand - 12FT

ITEM	PART NUMBER	DESCRIPTION	QTY
	2K493	RH SSB12 SEEDBOX ASSY- NO COVER	1
1	2K452	AGITATOR SEEDBOX 6'- NO COVER	1
2	1C213	RND HD, #10-24 X 1/2, ZP	4
3	1-861-010034-10	WASHER, LKG, 5/16	9
4	1-654-010049-03	SCREW, HX CP 5/16-18UNC X 3/4, GR5	9
5	1-861-010034-13	WASHER, LKG HLCL SPR, 1/2	2
6	1-512-010007-09	NUT, HEX 1/2-13, ZP	2
7	7D937	WEAR STRIP	2
8	7D938	COVER LOCK CLIP	2
9	1-861-010034-07	WASHER, LKG,HLCL SPR NO 10	4
10	1-512-010007-03	NUT, HEX 10-24	4
11	1C199	COVER LOCK ASSEMBLY (SEE PAGE 1-72)	2
12	1C606	MACH BOLT 3/8-16 X 1 SQHD PLT	1
13	1-654-010055-02	SCREW 1/2-13UNC X 1-1/4 CP, G5	2
14	2C662	RH SHIFTER PLATE	1
15	1-861-010032-11	WASHER, FLAT 3/8 W, ZP/CD	1
16	155628	NUT WING 3/8-16 UNC (AFTER 08/2025)	1
16	1C217	WING NUT, 3/8-16NC, ZP (BEFORE 08/2025)	1
17	9D793	BOX END BEARING	2
18	2C809	WASHER, SQ BORE 12GA	6
18	8J564	WASHER, SQ BORE 14GA	6
19	7K656	BLADE, AGITATOR, 22-7/8 (FEATURE)	3
20	1C339	AGITATOR BEARING	2
21	2C808	BUSHING	3
22	2K495	AGITATOR SHAFT R.H.	1
23	1-647-010004177	PIN, SPRING SLTD 3/16 X 1-1/2	1
24	1-861-010032-22	WASHER, FL 7/8, ZP/CD	2
25	1-512-010007-06	NUT, HEX 5/16-18	1

Cover Lock

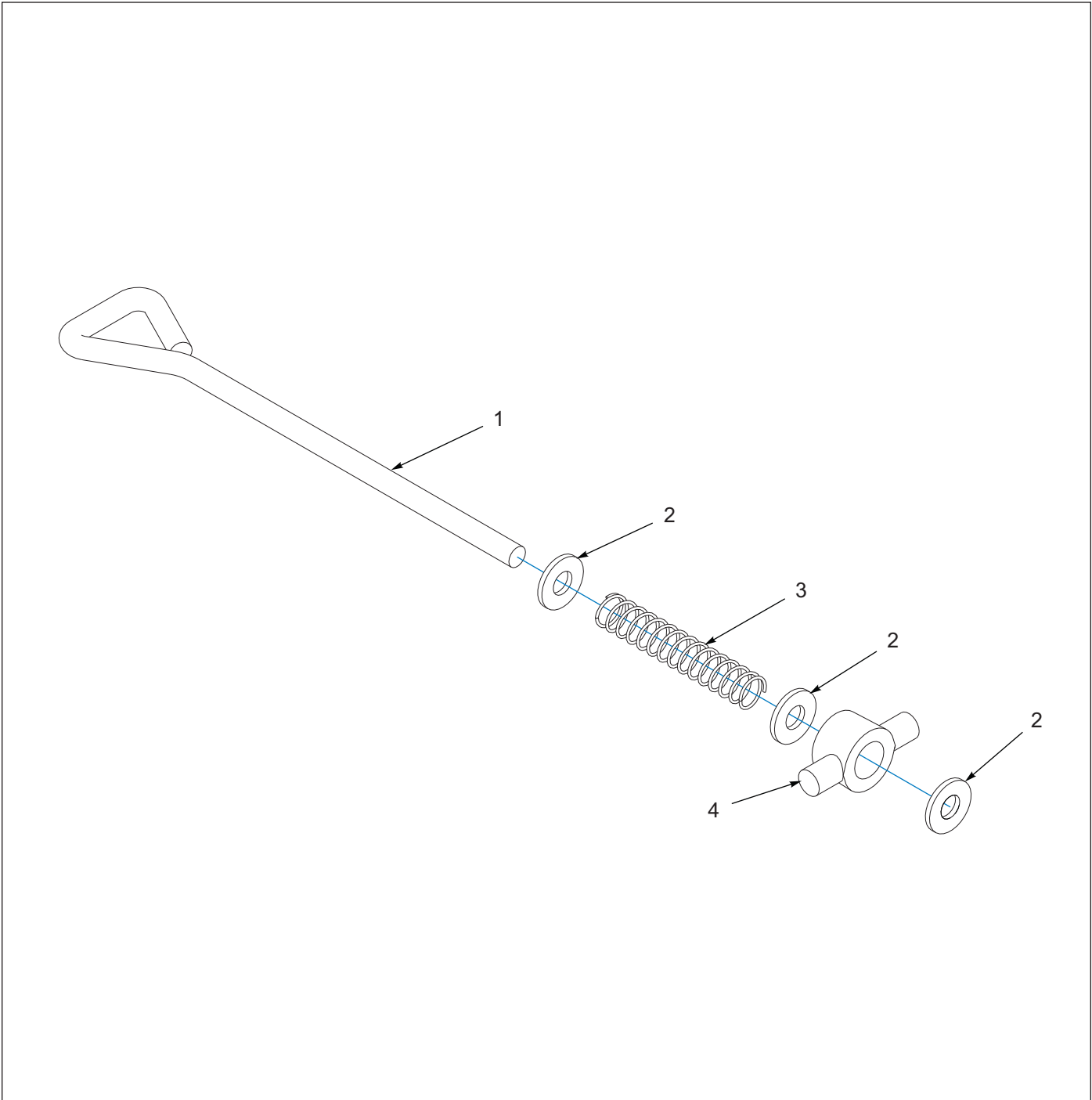


Figure 1-42: Cover Lock

Cover Lock

ITEM	PART NUMBER	DESCRIPTION	QTY
	1C199	PIVOT LOCK ASSY	1
1	1C192	COVER LOCK STEM (6-1/8 LENGTH)	1
2	1-861-010032-06	WASHER, FLAT 1/4 N, ZP/CD	3
3	1C212	SPRING	1
4	1C193	COVER LOCK PIVOT	1

Blade Agitator Kit

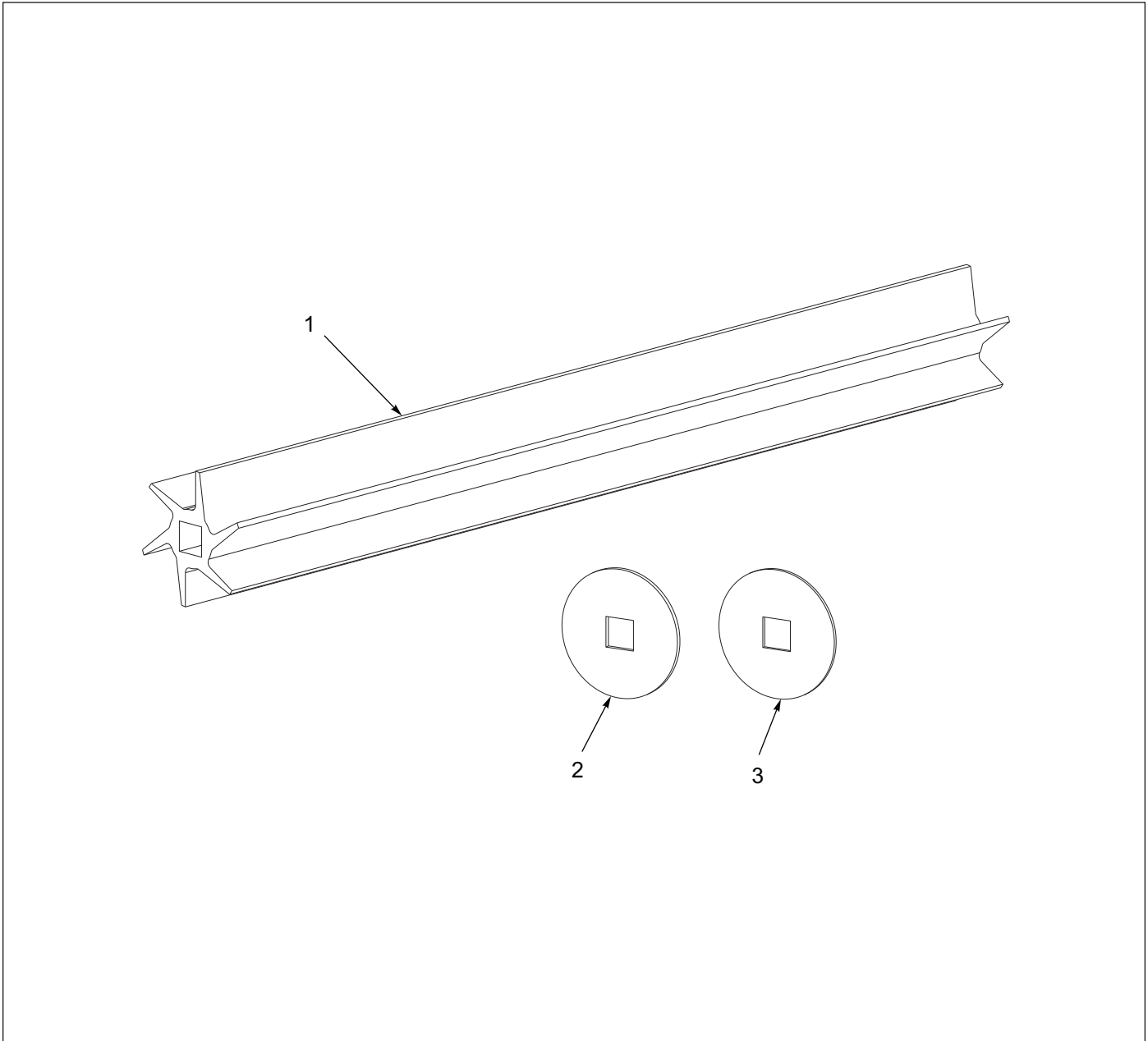


Figure 1-43: Blade Agitator Kit

Blade Agitator Kit

ITEM	PART NUMBER	DESCRIPTION	QTY		
			8'	10'	12'
		MODELS			
	6K956	8' BLADE AGITATOR KIT	1	--	--
	6K957	10' BLADE AGITATOR KIT	--	1	--
	6K958	12' BLADE AGITATOR KIT	--	--	1
1	6K603	BLADE AGITATOR - 22 1/2" MACH	4	--	--
1	6K604	BLADE AGITATOR - 28-1/2" MACH	--	4	--
1	7K656	BLADE AGITATOR - 22 7/8" MACH	--	--	6
2	2C809	WASHER, SQ BORE 12GA	8	4	6
3	8J564	WASHER, SQ BORE 14GA	8	4	6

5-Strip Brush Agitator Kit - Optional

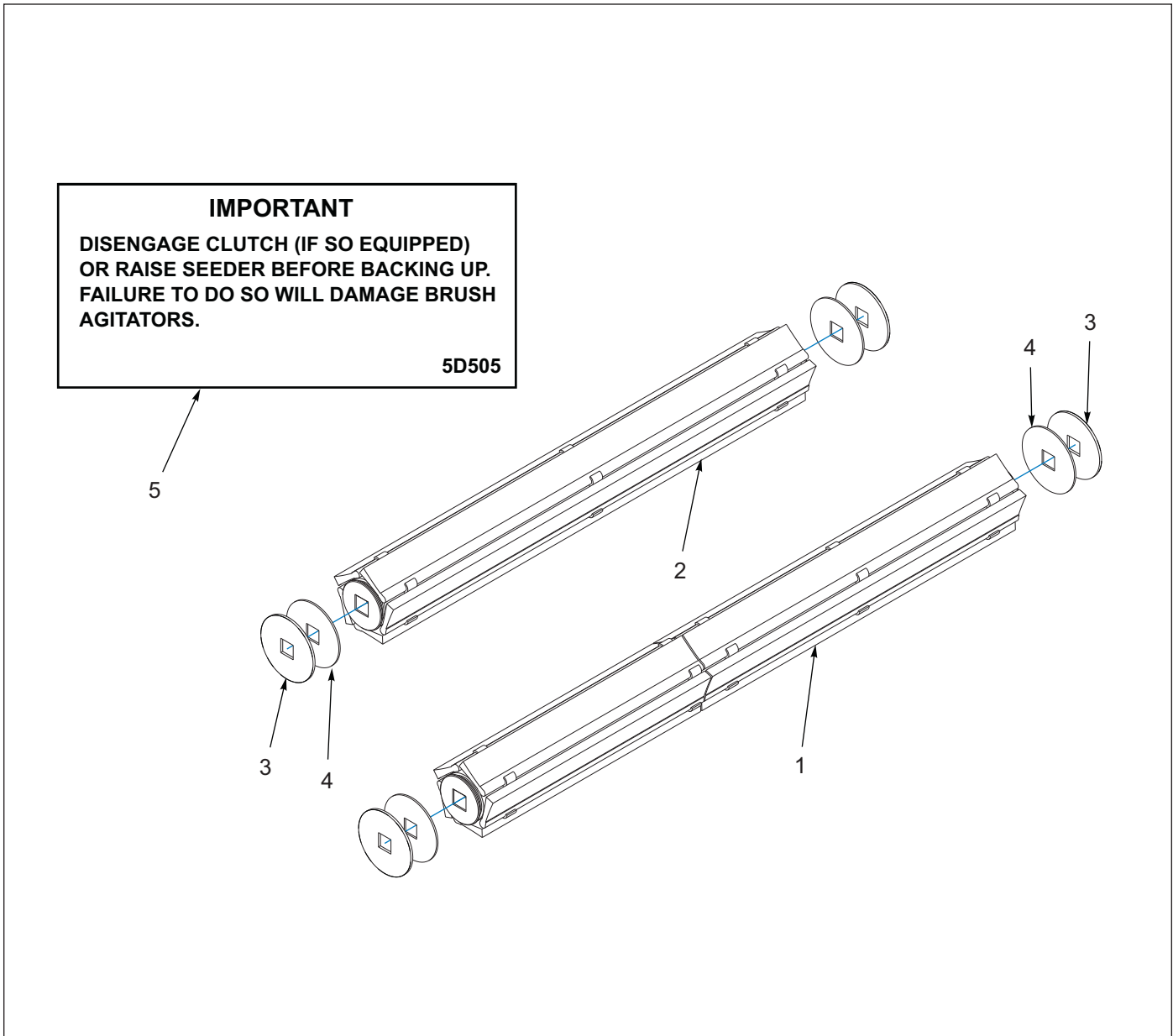


Figure 1-44: 5-Strip Brush Agitator Kit - Optional

5-Strip Brush Agitator Kit - Optional

ITEM	PART NUMBER	DESCRIPTION	QTY		
			8'	10'	12'
		MODELS	8'	10'	12'
	184786	KIT. BRUSH AGITATOR 8FT (5-STRIP)	1	--	--
	184787	KIT. BRUSH AGITATOR 10FT (5-STRIP)	--	1	--
	3J060	12' BRUSH AGITATOR KIT (5-STRIP)	--	--	1
1	5C882	AGITATOR ASSEMBLY (28") (SEE PAGE 1-75)	--	4	--
2	3C995	BRUSH AGITATOR ASSEMBLY (22-1/2") (SEE PAGE 1-76)	4	--	6
3	2C809	WASHER, SQ BORE 12GA	8	8	12
4	8J564	WASHER, SQ BORE 14GA	8	8	12
5	5D505	DECAL - 'IMPORTANT INFORMATION'	1	1	1

5-Strip Brush Agitator Assembly - 28"

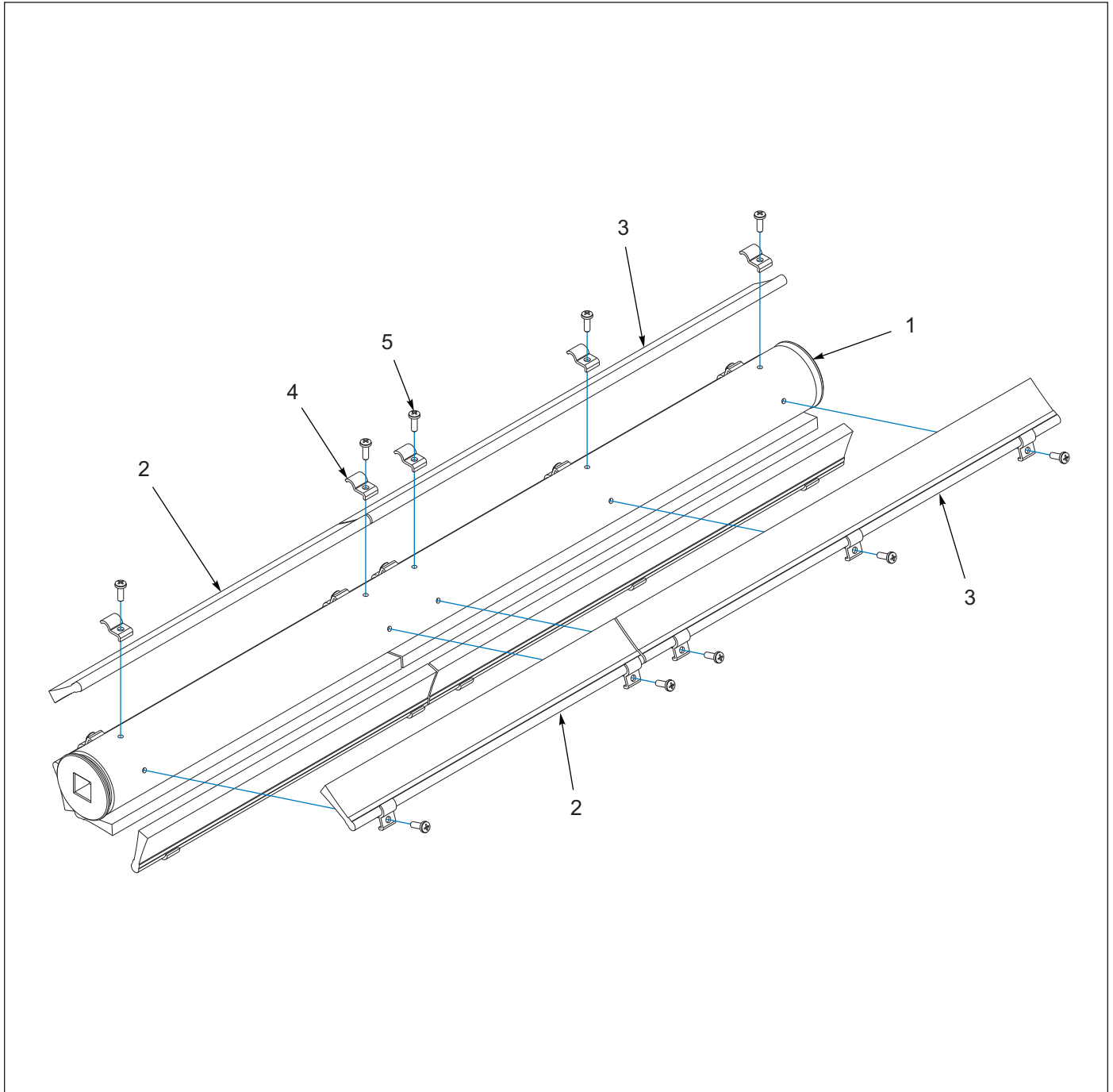


Figure 1-45: 5-Strip Brush Agitator Assembly - 28"

5-Strip Brush Agitator Assembly - 28"

ITEM	PART NUMBER	DESCRIPTION	QTY
	5C882	AGITATOR ASSEMBLY (28") (10FT MODELS ONLY)	1
1	5C881	BRUSH AGITATOR PIPE ASM	1
2	4C003	BRUSH STRIP, 16-1/2"	5
3	5C880	BRUSH STRIP, 11-1/2"	5
4	3C956	BRUSH STRIP CLIP	25
5	3C998	SCREW (8-32 X 1/2)	25

5-Strip Brush Agitator Assembly - 22-1/2"

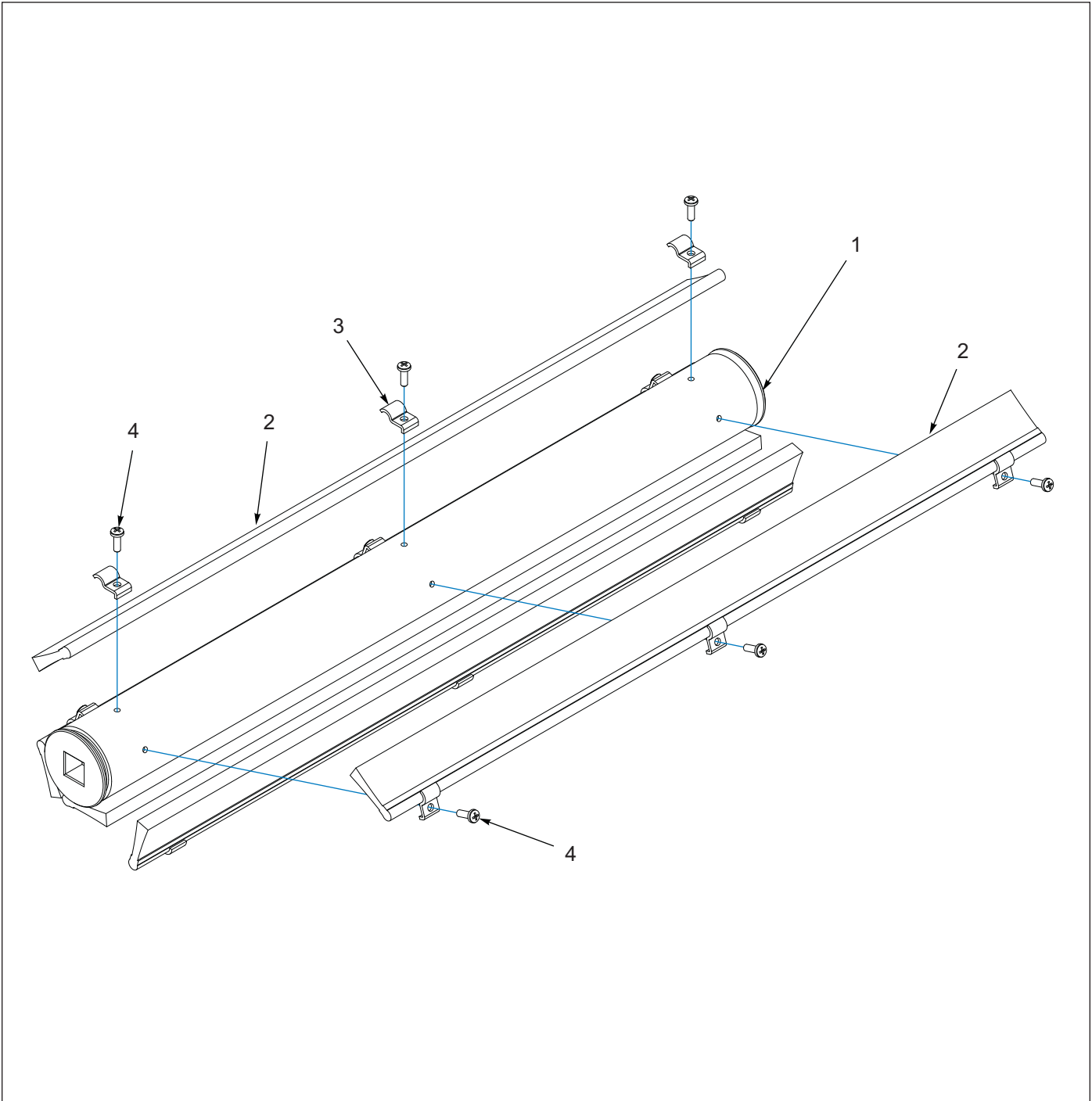


Figure 1-46: 5-Strip Brush Agitator Assembly - 22-1/2"

5-Strip Brush Agitator Assembly - 22-1/2"

ITEM	PART NUMBER	DESCRIPTION	QTY
	3C995	BRUSH AGITATOR ASSEMBLY (22-1/2") (8FT & 12FT MODELS ONLY)	1
1	3C996	BRUSH AGITATOR PIPE	1
2	3C997	BRUSH STRIP, 22-1/4"	5
3	3C956	BRUSH STRIP CLIP	15
4	3C998	SCREW (8-32 X 1/2)	15

Agitator Cage - Optional

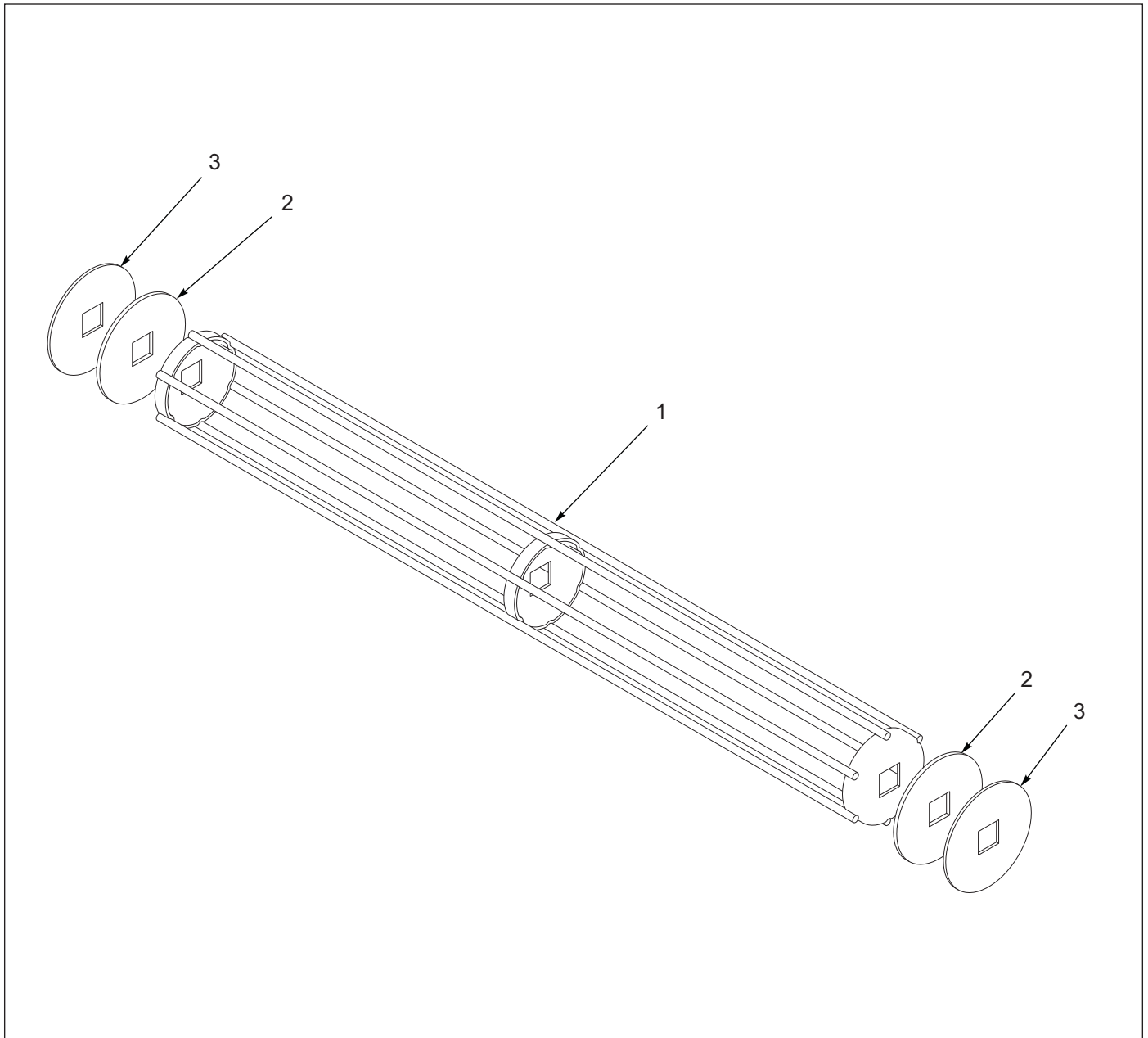


Figure 1-47: Agitator Cage - Optional

Agitator Cage - Optional

ITEM	PART NUMBER	DESCRIPTION	QTY		
			8'	10'	12'
		MODELS			
	184680	KIT, CAGE AGITATOR 8 FT	1	--	--
	184681	KIT, CAGE AGITATOR 10 FT	--	1	--
	184682	KIT, CAGE AGITATOR 12 FT	--	--	1
1	2C815	AGITATOR CAGE ASSEMBLY (8FT)	4	--	--
1	5C195	AGITATOR CAGE ASSEMBLY (10FT)	--	4	--
1	9D794	AGITATOR CAGE ASSEMBLY (12FT)	--	--	6
2	2C809	WASHER, SQ BORE 12GA	4	6	6
3	8J564	WASHER, SQ BORE 14GA	5	6	6

LED Warning Lamps - 8FT, 10FT (AFTER 08/2025)

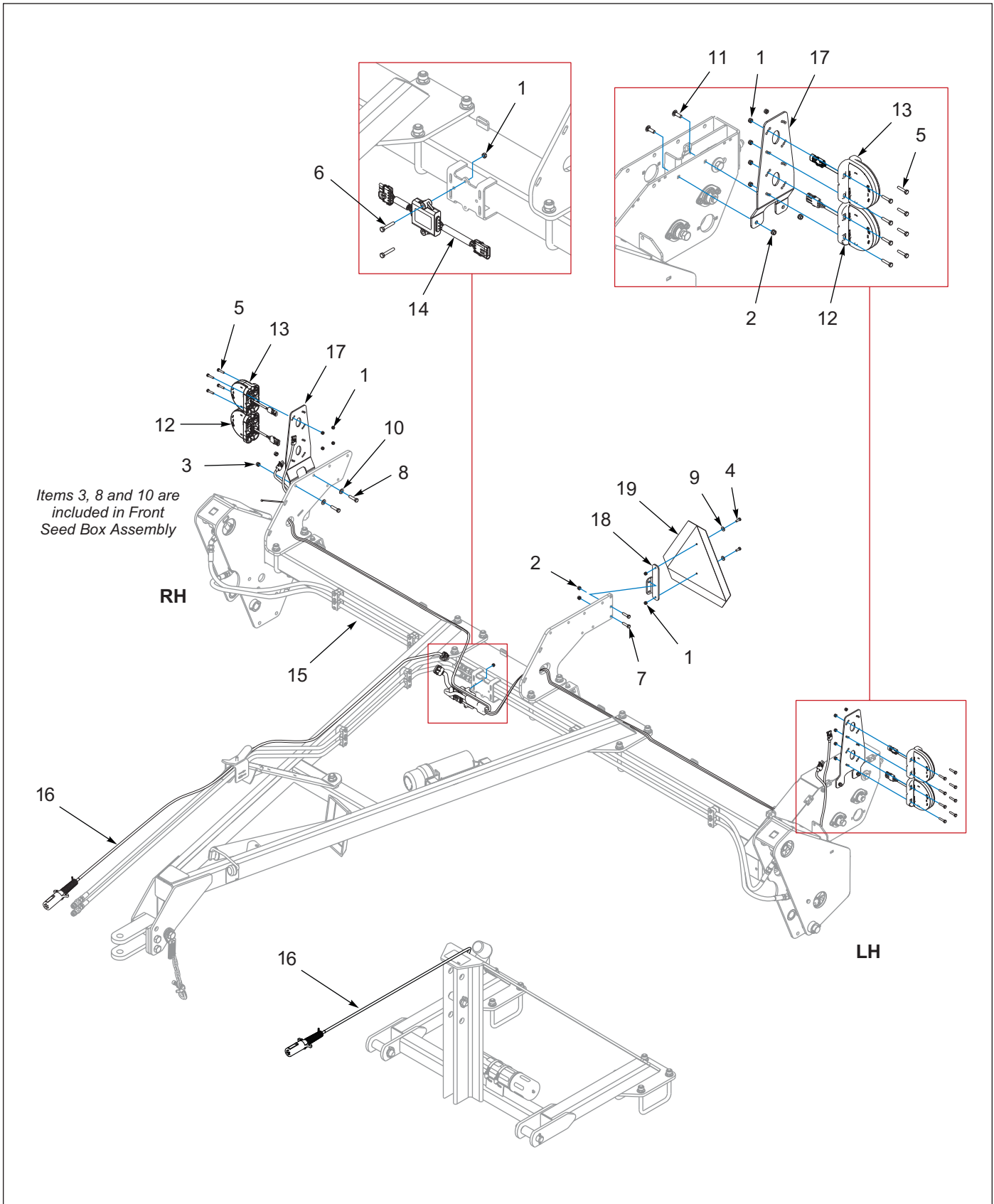


Figure 1-48: LED Warning Lamps - 8FT, 10FT (AFTER 08/2025)

LED Warning Lamps - 8FT, 10FT (AFTER 08/2025)

ITEM	PART NUMBER	DESCRIPTION	QTY
1	1-512-010005-01	NUT, HEX, SLFLKG GRB, 1/4-20	20
2	1-512-010005-03	NUT HEX SLFLKG GRB 5/16-18	4
3	1-512-010005-05	NUT, HEX, SLFLKG GRB 3/8-16	2
4	1-654-010047-04	SCREW,HX CP 1/4-20UNCX1-1/4G5	2
5	1-654-010047-07	SCREW, HX CP 1/4-20UNC X 1-1/4, G5	16
6	1-654-010047-08	SCREW HX CP,1/4-20UNCX1-1/2G5	2
7	1-654-010049-06	SCREW,H/CAP,5/16-18UNCX1-1/4	2
8	1-654-010051-07	SCREW,HEX CAP,3/8-16UNCX1-1/2	2
9	1-861-010032-07	WASHER,FLAT 1/4 Z	2
10	1-861-010032-10	WASHER, FLAT 3/8" N ZP/CD	2
11	104031	SCREW,RDHD,SQNK 5/16-18X1 GR5	4
12	174435	LAMP, AG RED SINGLE LED	2
13	174436	LAMP, AG AMBER SINGLE LED	2
14	174437	MODULE, AG FLASHER CONTROL	1
15	178525	HARNESS, LAMP 84 X 84 (8FT)	1
15	175151	HARNESS, LED WARNING LIGHTS (10FT)	1
16	178515	HARNESS, 7 PIN/4PIN WP, 15' (DRAWBAR)	1
16	178514	HARNESS, 7 PIN/4PIN WP, 10' (3-PT)	1
17	247445	PLATE-MOUNT, LIGHT	2
18	247446	PLATE-MOUNT, SMV	1
19	70260977	SMV EMBLEM	1

Harness Connectors can be purchased separately. **(SEE PAGE 1-122)**

LED Warning Lamps - 8FT, 10FT (09/2013 TO 08/2025)

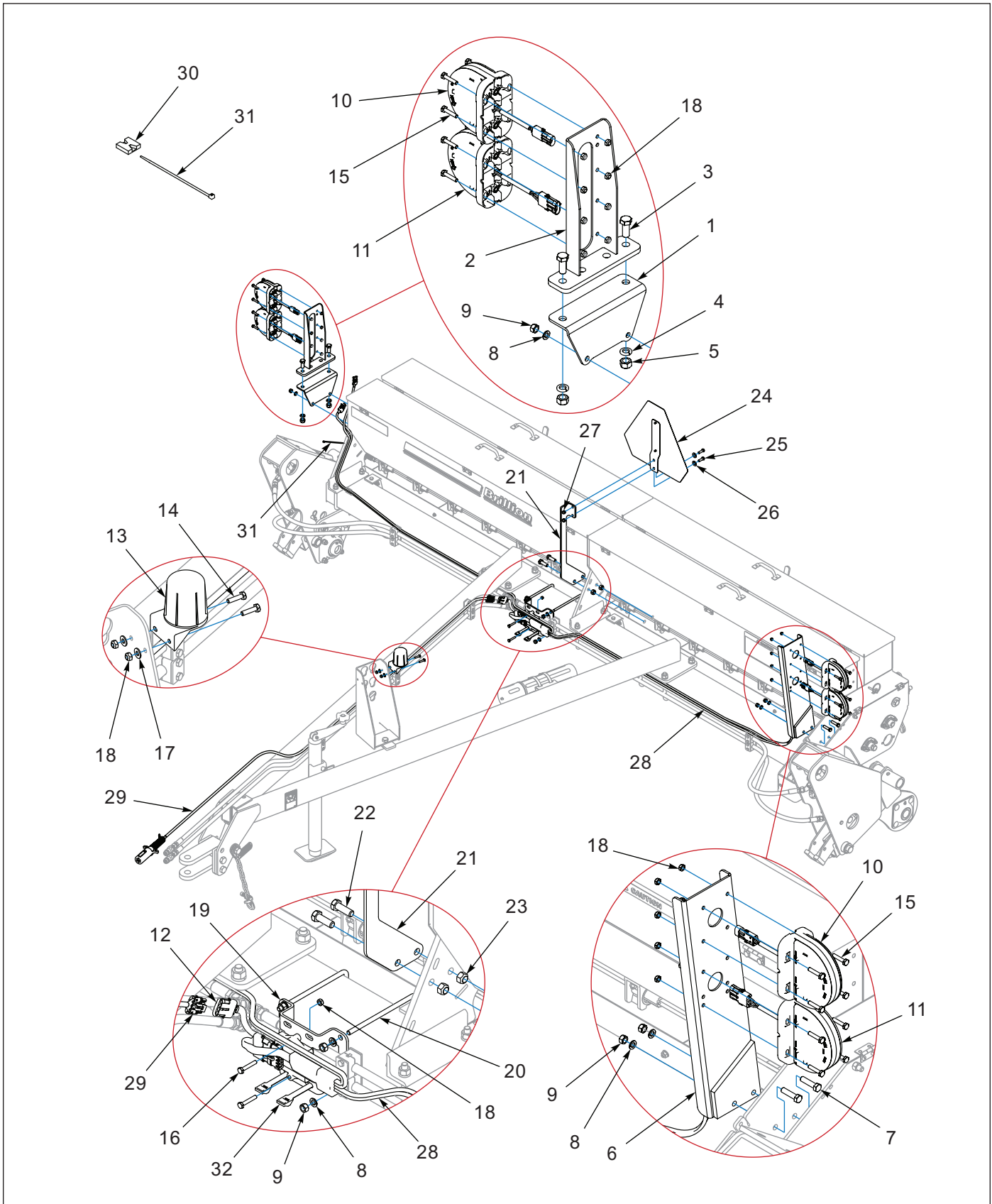


Figure 1-49: LED Warning Lamps - 8FT, 10FT (09/2013 TO 08/2025)

LED Warning Lamps - 8FT, 10FT (09/2013 TO 08/2025)

ITEM	PART NUMBER	DESCRIPTION	QTY
1	9K823	ANGLE, LIGHT BRKT	1
2	9K822	BRACKET, LIGHT WLD	1
3	1-654-010055-02	SCREW, 1/2-13UNC X 1-1/4 CP, GR5	2
4	1-861-010034-13	WASHER, LKG HLCL SPR, 1/2	2
5	1-512-010007-09	NUT HEX 1/2-13, ZP	2
6	9K825	BRACKET, LIGHT WLD	1
7	1-654-010051-07	SCREW, HEX CAP, 3/8-16UNC X 1-1/2	2
8	1-861-010034-11	WASHER, LOCK 3/8, ZP	8
9	1-512-010007-07	NUT, HEX 3/8-16, ZP	8
10	174436	LAMP, AG AMBER SINGLE LED	2
11	174435	LAMP, AG RED SINGLE LED	2
12	174437	MODULE, AG FLASHER CONTROL	1
13	2-368-010287	HARNESS, STOR-A-WAY (CONNECTOR HOLDER)	1
14	1-654-010047-06	SCREW, HX CP 1/4-20UNC X 1, GR5	2
15	1-654-010047-07	SCREW, HX CP 1/4-20UNC X 1-1/4, G5	16
16	1-654-010047-08	SCREW, HX CP 1/4-20UNC X 1-1/2, G5	2
17	1-861-010032-06	WASHER, FLAT 1/4 N, ZP/CD	2
18	1-512-010005-01	NUT, HEX, SLFLKG GRB, 1/4-20	20
19	178506	BRACKET, MODULE MOUNT	1
20	178529	U-BLT, 3/8-16 X 4-7/16 X 6-7/8, ZP	2
21	164683	MOUNT, SMV	1
22	1-654-010055-03	HHCS, 1/2-13 X 1-1/2	2
23	1-512-010005-09	NUT, LOCK 1/2-13	2
24	2P151	SMV W/BRACKET	1
25	1-654-010049-05	SCREW, HX CP 5/16-18UNC X 1, GR5	2
26	1-861-010032-09	WASHER, FLAT 5/16 W, ZP/CD	2
27	104032	NUT, HX SLF-LKG W/MYL 5/16-18	2
28	178525	HARNESS, LAMP 84 X 84	1
29	178515	HARNESS, 7 PIN/4PIN WP, 15' (DRAWBAR) (NOT SHOWN)	1
29	178514	HARNESS, 7 PIN/4PIN WP, 10' (3-PT)	1
30	25079	MOUNTING PLATE (ADHESIVE)	10
31	105-0214	TY-WRAP 1/16-1-1/8 TY-524MX	10
32	105874	TIE, STRAP PLSTC 21.5-24 X .301	4

Harness Connectors can be purchased separately. (**SEE PAGE 1-122**)

LED Warning Lamps - 12FT (AFTER 08/2025)

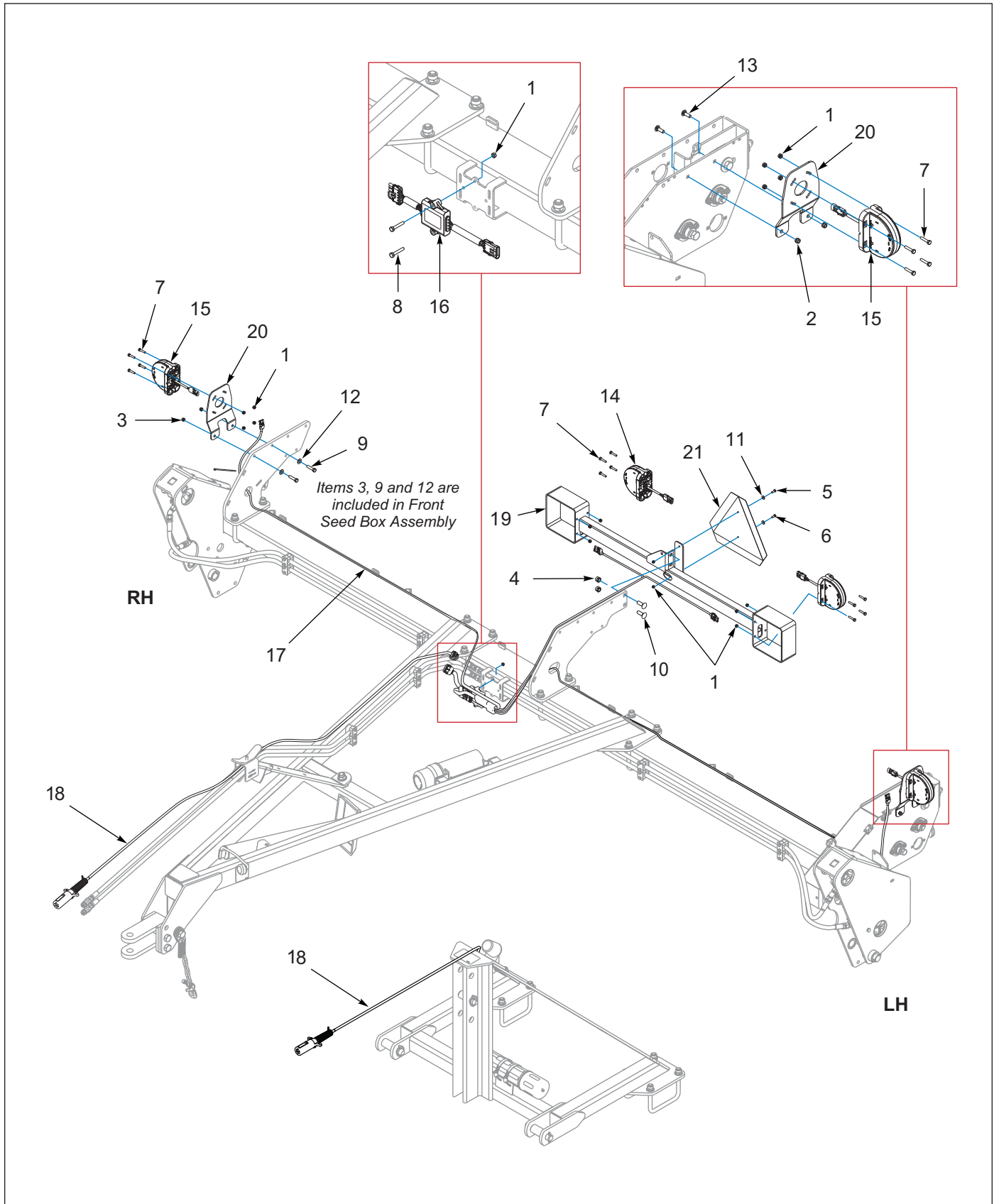


Figure 1-50: LED Warning Lamps - 12FT (AFTER 08/2025)

LED Warning Lamps - 12FT (AFTER 08/2025)

ITEM	PART NUMBER	DESCRIPTION	QTY
1	1-512-010005-01	NUT, HEX, SLFLKG GRB, 1/4-20	20
2	1-512-010005-03	NUT HEX SLFLKG GRB 5/16-18	2
3	1-512-010005-05	NUT, HEX, SLFLKG GRB 3/8-16	2
4	1-512-010005-09	NUT, HEX SLFLKG, 1/2-13 GRB	2
5	1-654-010047-04	SCREW,HEX CAP,1/4-20X3/4 GR5	1
6	1-654-010047-05	SCREW, HX CP 1/4-20UNCx7/8 GR5	1
7	1-654-010047-07	SCREW, HX CP 1/4-20UNC X 1-1/4, G5	16
8	1-654-010047-08	SCREW HX CP,1/4-20UNCX1-1/2G5	2
9	1-654-010051-07	SCREW,HEX CAP,3/8-16UNCX1-1/2	2
10	1-654-010070-03	SCREW RDHD SQNK1/2-13X1-1/2	2
11	1-861-010032-07	WASHER,FLAT 1/4 Z	2
12	1-861-010032-10	WASHER, FLAT 3/8" N ZP/CD	2
13	104031	SCREW,RDHD,SQNK 5/16-18X1 GR5	2
14	174435	LAMP, AG RED SINGLE LED	2
15	174436	LAMP, AG AMBER SINGLE LED	2
16	174437	MODULE, AG FLASHER CONTROL	1
17	178513	HARNESS, LAMP 66 X 138	1
18	178515	HARNESS, 7 PIN/4PIN WP, 15' (DRAWBAR)	1
18	178514	HARNESS, 7 PIN/4PIN WP, 10' (3-PT) (NOT SHOWN)	1
19	247396	BAR-LIGHT, WARNING, WELDMENT	1
20	247463	PLATE-MOUNT, LIGHT	2
21	70260977	SMV EMBLEM	1

Harness Connectors can be purchased separately. **(SEE PAGE 1-122)**

LED Warning Lamps - 12FT (09/2013 TO 08/2025)

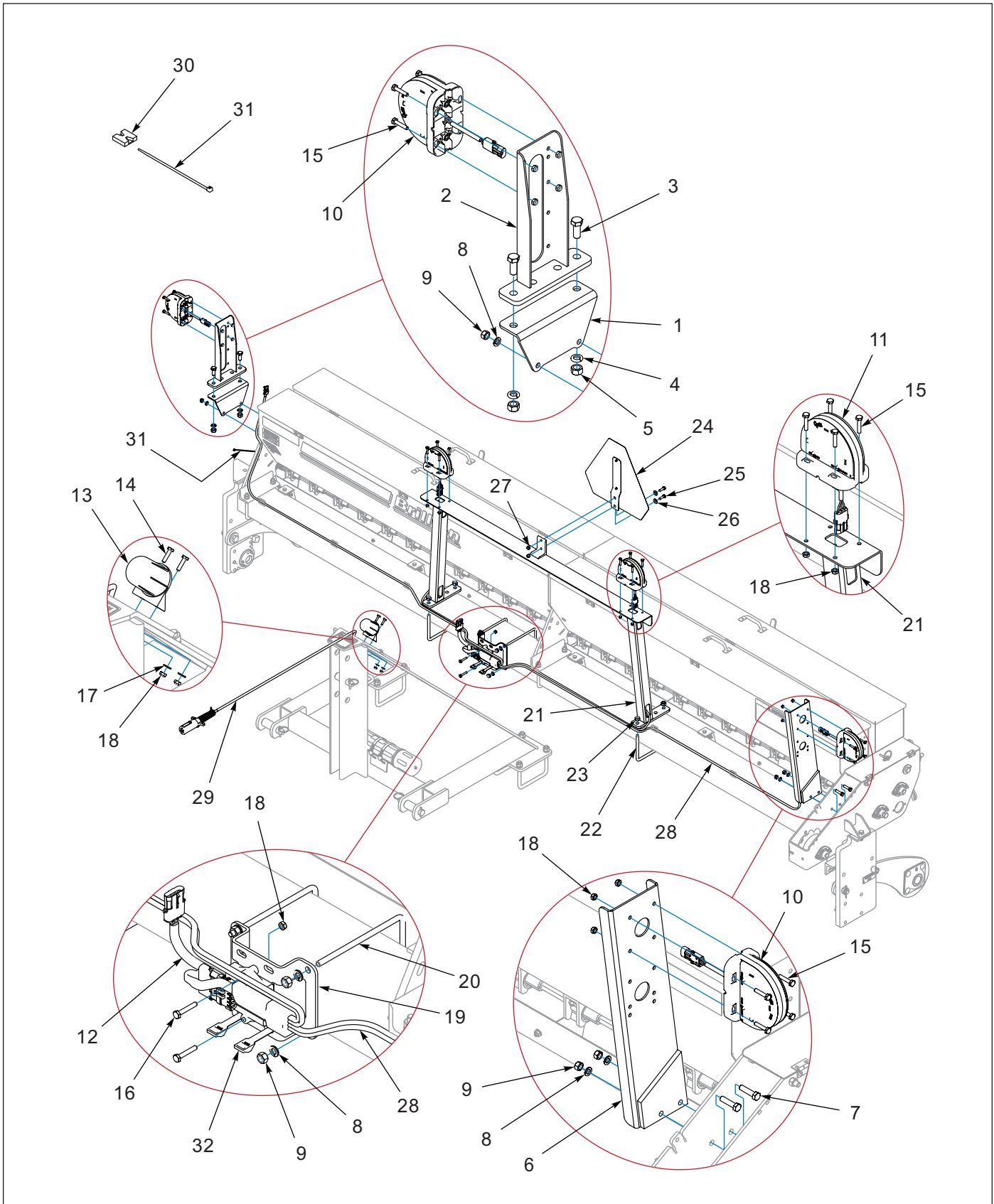


Figure 1-51: LED Warning Lamps - 12FT (09/2013 TO 08/2025)

LED Warning Lamps - 12FT (09/2013 TO 08/2025)

ITEM	PART NUMBER	DESCRIPTION	QTY
1	9K823	ANGLE, LIGHT BRKT	1
2	9K822	BRACKET, LIGHT WLD	1
3	1-654-010055-02	SCREW 1/2-13UNC X 1-1/4 CP, GR5	2
4	1-861-010034-13	WASHER, LKG HLCL SPR, 1/2	2
5	1-512-010007-09	NUT HEX 1/2-13, ZP	2
6	9K825	BRACKET, LIGHT WLD	1
7	1-654-010051-07	SCREW, HEX CAP, 3/8-16UNC X 1-1/2	2
8	1-861-010034-11	WASHER, LOCK 3/8, ZP	8
9	1-512-010007-07	NUT, HEX 3/8-16, ZP	8
10	174436	LAMP, AG AMBER SINGLE LED	2
11	174435	LAMP, AG RED SINGLE LED	2
12	174437	MODULE, AG FLASHER CONTROL	1
13	2-368-010287	CONNECTOR HOLDER	1
14	1-654-010047-06	SCREW, HX CP 1/4-20UNC X 1, GR5	2
15	1-654-010047-07	SCREW, HX CP 1/4-20UNC X 1-1/4, G5	16
16	1-654-010047-08	SCREW, HX CP 1/4-20UNC X 1-1/2, G5	2
17	1-861-010032-06	WASHER, FLAT 1/4 N, ZP/CD	2
18	1-512-010005-01	NUT, HEX, SLFLKG GRB 1/4-20	20
19	178506	BRACKET, MODULE MOUNT	1
20	178529	U-BLT, 3/8-16 X 4-7/16 X 6-7/8, ZP	2
21	9K817	BRACKET, LIGHT BAR WLD	1
22	4J918	U-BOLT, 1/2 X 5-1/4 X 6-1/16	2
23	1-512-010005-09	NUT,HEX,SLFLKG, 1/2-13 GRB	4
24	2P151	SMV W/BRACKET	1
25	1-654-010049-05	SCREW HX CP 5/16-18UNC X 1, GR5	2
26	1-861-010032-09	WASHER, FLAT 5/16 W, ZP/CD	2
27	104032	NUT, HX SLF-LKG W/MYL 5/16-18	2
28	178513	HARNESS, LAMP 66 X 138	1
29	178515	HARNESS, 7 PIN/4PIN WP, 15' (DRAWBAR) (NOT SHOWN)	1
29	178514	HARNESS, 7 PIN/4PIN WP, 10' (3-PT)	1
30	25079	MOUNTING PLATE (ADHESIVE)	10
31	105-0214	TY-WRAP 1/16-1-1/8 TY-524MX	10
32	105874	TIE, STRAP PLSTC 21.5-24 X .301	4

Harness Connectors can be purchased separately. **(SEE PAGE 1-122)**

LED Warning Lamps - SD Models (AFTER 08/2025)

NOTE:

8FT, 10FT Models use (2) 9K822 Brackets with (2) lamps mounted on each bracket.

12FT Models use (4) 9K822 Brackets with (1) lamp mounted on each bracket.

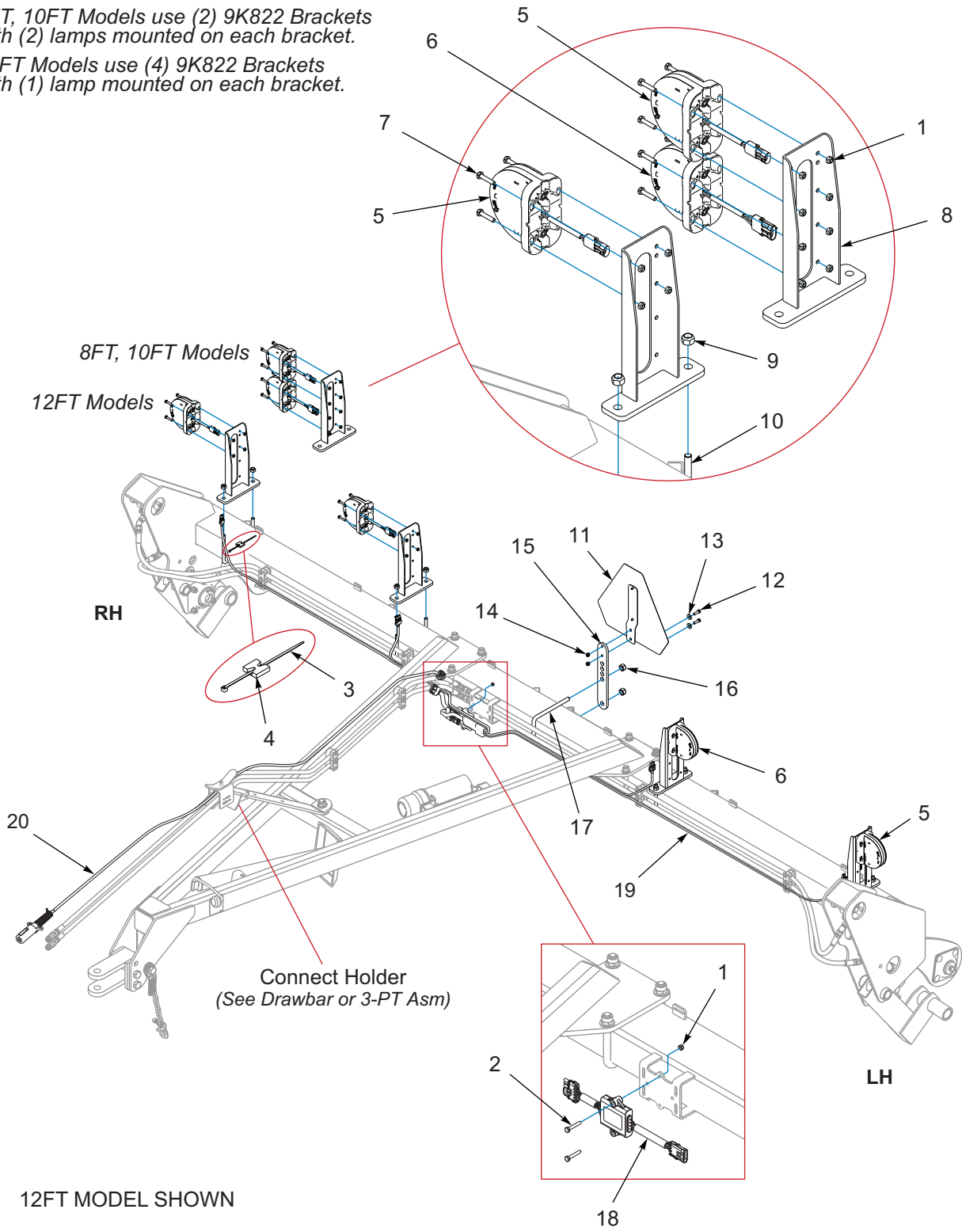


Figure 1-52: LED Warning Lamps - SD Models (AFTER 09/2013)

LED Warning Lamps - SD Models (AFTER 08/2025)

ITEM	PART NUMBER	DESCRIPTION	QTY
1	1-512-010005-01	NUT, HEX, SLFLKG GRB, 1/4-20	18
2	1-654-010047-08	SCREW HX CP, 1/4-20UNCX1-1/2G5	2
3	105-0214	TY-WRAP 1/16-1-1/8 TY-524MX	10
4	25079	MOUNTING PLATE	10
5	174436	LAMP, AG AMBER SINGLE LED	2
6	174435	LAMP, AG RED SINGLE LED	2
7	1-654-010047-07	SCREW, HX CP 1/4-20UNC X 1-1/4, G5	16
8	9K822	BRACKET, LIGHT WLD	2
9	1-512-010005-09	NUT, HEX SLFLKG, 1/2-13 GRB (2 EACH PER BRACKET)	REF
10	4J918	U-BOLT, 1/2 X 5-1/4 X 6-1/16 (8FT, 10FT, QTY=2) (12FT, QTY=4)	REF
11	2P151	SMV W/BRACKET	1
12	1-654-010049-05	SCREW, HX CP 5/16-18UNC X 1, GR5	2
13	1-861-010032-09	WASHER, FLAT 5/16 W, ZP/CD	2
14	104032	NUT, HX SLF-LKG W/MYL 5/16-18	2
15	164678	MOUNT, SMV	1
16	1-512-010005-13	NUT, HEX SLFLKG GRB 5/8-11	2
17	9K616	U-BOLT 5/8-11X 4 11/16 X 7 1/2	1
18	174437	MODULE, AG FLASHER CONTROL	1
19	178525	HARNESS, LAMP 84 X 84 (SD8, SDP8, SD10, SDP10)	1
19	178513	HARNESS, LAMP 66 X 138 (SD12, SDP12)	1
20	178515	HARNESS, 7 PIN/4PIN WP, 15' (DRAWBAR) (SHOWN)	1
20	178514	HARNESS, 7 PIN/4PIN WP, 10' (3-PT)	1
21	105874	TIE, STRAP PLSTC 21.5-24 X .301 (NOT SHOWN)	4

Harness Connectors can be purchased separately. **(SEE PAGE 1-122)**

LED Warning Lamps - SD, Drawbar (09/2013 TO 08/2025)

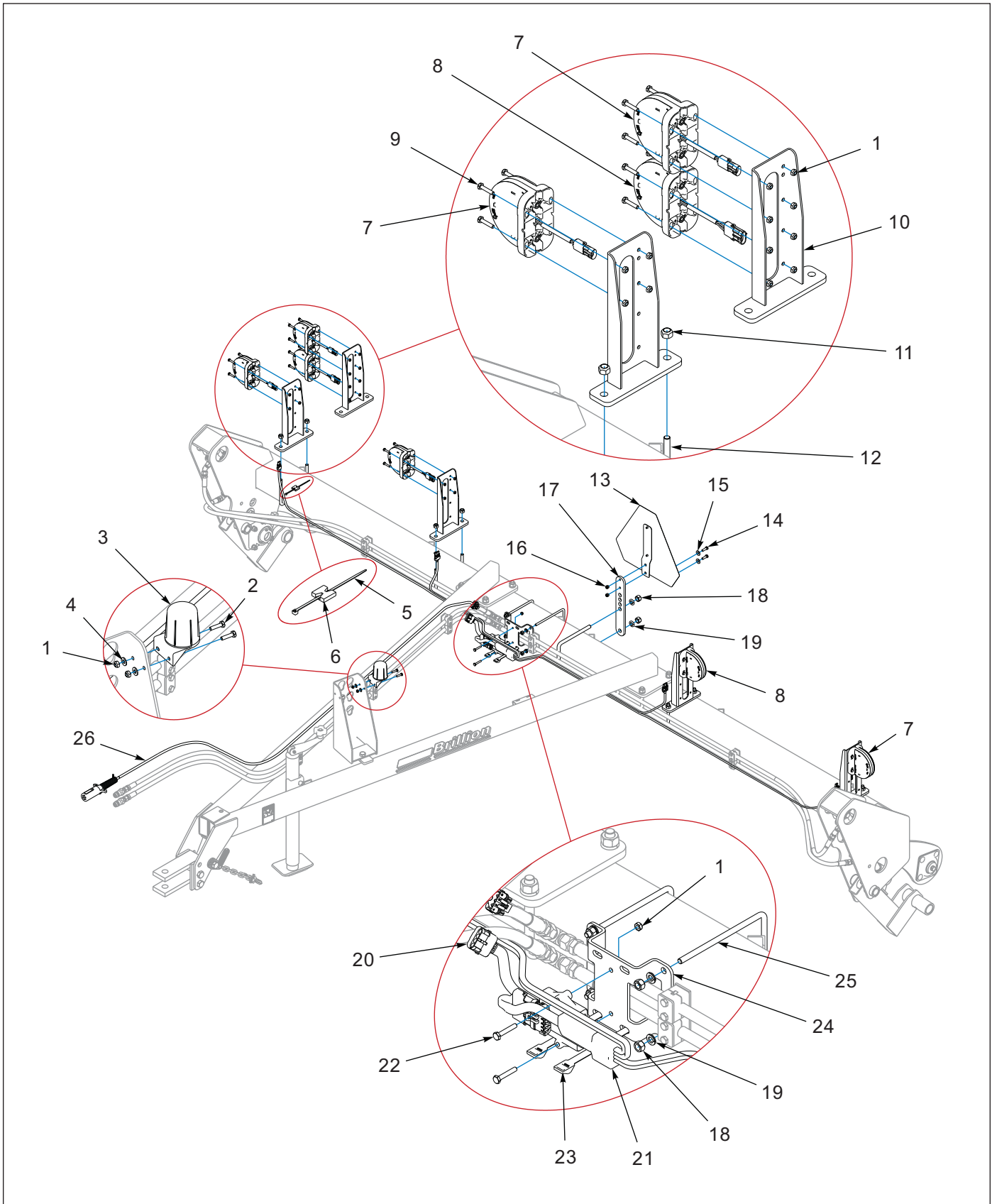


Figure 1-53: LED Warning Lamps - SD, Drawbar (09/2013 TO 08/2025)

LED Warning Lamps - SD, Drawbar (09/2013 TO 08/2025)

ITEM	PART NUMBER	DESCRIPTION	QTY
1	1-512-010005-01	NUT, HEX, SLFLKG GRB, 1/4-20	20
2	1-654-010047-06	SCREW, HX CP 1/4-20UNC X 1, GR5	2
3	8K664	CONNECTOR HOLDER	1
4	1-861-010032-06	WASHER, FLAT 1/4 N, ZP/CD	2
5	105-0214	TY-WRAP 1/16-1-1/8 TY-524MX	10
6	25079	MOUNTING PLATE	10
7	174436	LAMP, AG AMBER SINGLE LED	2
8	174435	LAMP, AG RED SINGLE LED	2
9	1-654-010047-07	SCREW, HX CP 1/4-20UNC X 1-1/4, G5	16
10	9K822	BRACKET, LIGHT WLD	2
11	1-512-010005-09	NUT, HEX SLFLKG, 1/2-13 GRB	4
12	4J918	U-BOLT, 1/2 X 5-1/4 X 6-1/16	2
13	2P151	SMV W/BRACKET	1
14	1-654-010049-05	SCREW, HX CP 5/16-18UNC X 1, GR5	2
15	1-861-010032-09	WASHER, FLAT 5/16 W, ZP/CD	2
16	104032	NUT, HX SLF-LKG W/MYL 5/16-18	2
17	164678	MOUNT, SMV	1
18	1-512-010007-07	NUT, HEX 3/8-16, ZP	6
19	1-861-010034-11	WASHER, LKG HLCL SPR, 3/8	6
20	174437	MODULE, AG FLASHER CONTROL	1
21	178513	HARNESS, LAMP 66 X 138	1
22	1-654-010047-07	SCREW, HX CP 1/4-20UNC X 1-1/4, G5	2
23	105874	TIE, STRAP PLSTC 21.5-24 X .301	4
24	178506	BRACKET, MODULE MOUNT	1
25	178529	U-BLT, 3/8-16 X 4-7/16 X 6-7/8, ZP	2
26	178515	HARNESS, 7 PIN/4PIN WP, 15'	1

Harness Connectors can be purchased separately. **(SEE PAGE 1-122)**

LED Warning Lamps - SD, 3-PT (09/2013 TO 08/2025)

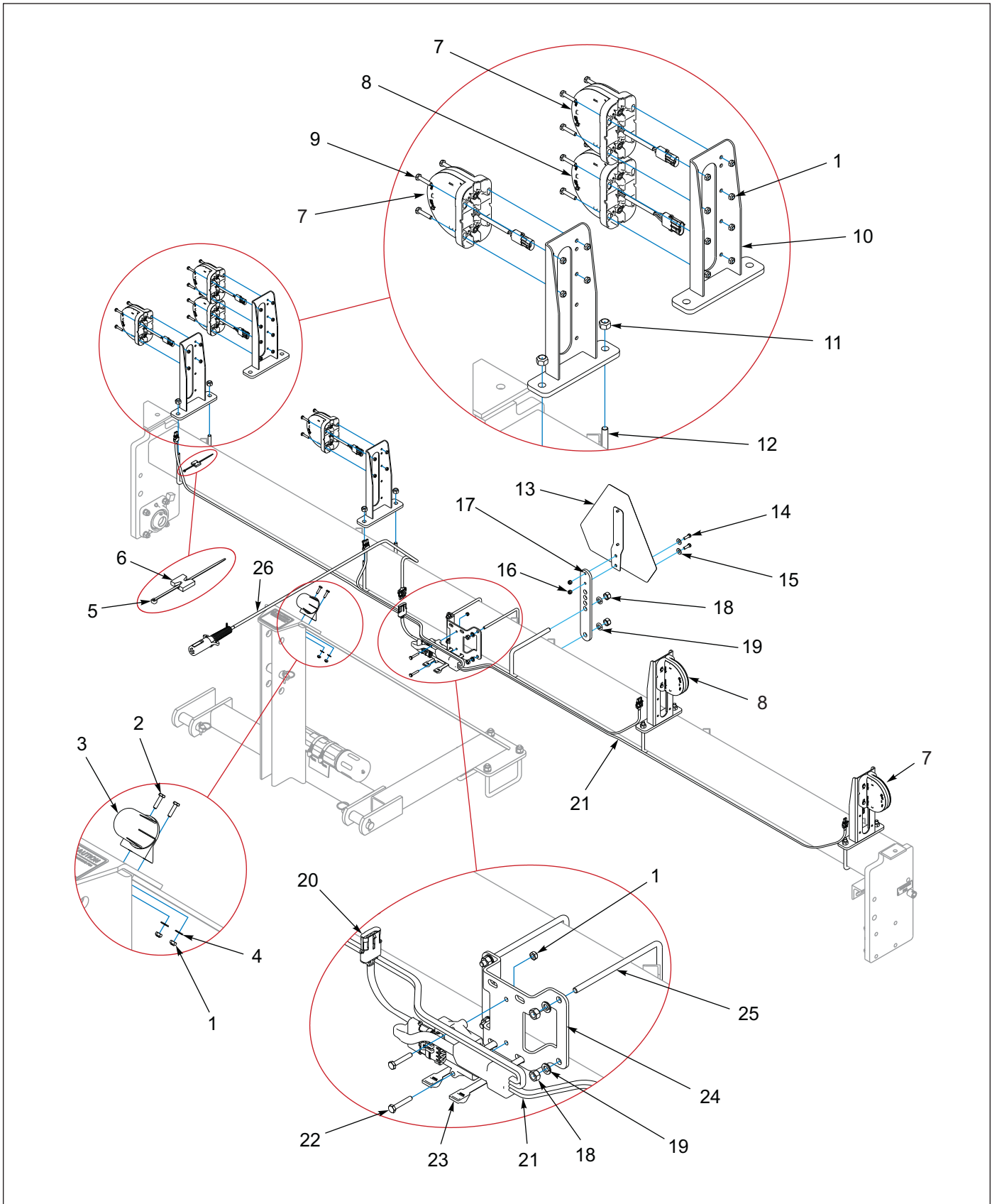


Figure 1-54: LED Warning Lamps - SD, 3-PT (09/2013 TO 08/2025)

LED Warning Lamps - SD, 3-PT (09/2013 TO 08/2025)

ITEM	PART NUMBER	DESCRIPTION	QTY
1	1-512-010005-01	NUT, HEX,SLFLKG GRB, 1/4-20	20
2	1-654-010047-06	SCREW, HX CP 1/4-20UNC X 1, GR5	2
3	8K664	CONNECTOR HOLDER	1
4	1-861-010032-06	WASHER, FLAT 1/4 N, ZP/CD	2
5	105-0214	TY-WRAP 1/16-1-1/8 TY-524MX	10
6	25079	MOUNTING PLATE	10
7	174436	LAMP, AG AMBER SINGLE LED	2
8	174435	LAMP, AG RED SINGLE LED	2
9	1-654-010047-07	SCREW, HX CP 1/4-20UNC X 1-1/4, G5	16
10	9K822	BRACKET, LIGHT WLD	2
11	1-512-010005-09	NUT, HEX SLFLKG, 1/2-13, GRB	4
12	4J918	U-BOLT, 1/2 X 5-1/4 X 6-1/16	2
13	2P151	SMV W/BRACKET	1
14	1-654-010049-05	SCREW, HX CP 5/16-18UNC X 1, GR5	2
15	1-861-010032-09	WASHER, FLAT 5/16 W, ZP/CD	2
16	104032	NUT, HX SLF-LKG W/MYL 5/16-18	2
17	164678	MOUNT, SMV	1
18	1-512-010007-07	NUT, HEX 3/8-16, ZP	6
19	1-861-010034-11	WASHER, LKG HLCL SPR, 3/8	6
20	174437	MODULE, AG FLASHER CONTROL	1
21	178513	HARNESS, LAMP 66 X 138	1
22	1-654-010047-07	SCREW, HX CP 1/4-20UNC X 1-1/4, G5	2
23	105874	TIE, STRAP PLSTC 21.5-24 X .301	4
24	178506	BRACKET, MODULE MOUNT	1
25	178529	U-BLT, 3/8-16 X 4-7/16 X 6-7/8, ZP	2
26	178514	HARNESS, 7 PIN/4PIN WP, 10'	1

Harness Connectors can be purchased separately. **(SEE PAGE 1-122)**

Warning Lamps (BEFORE 08/2013)

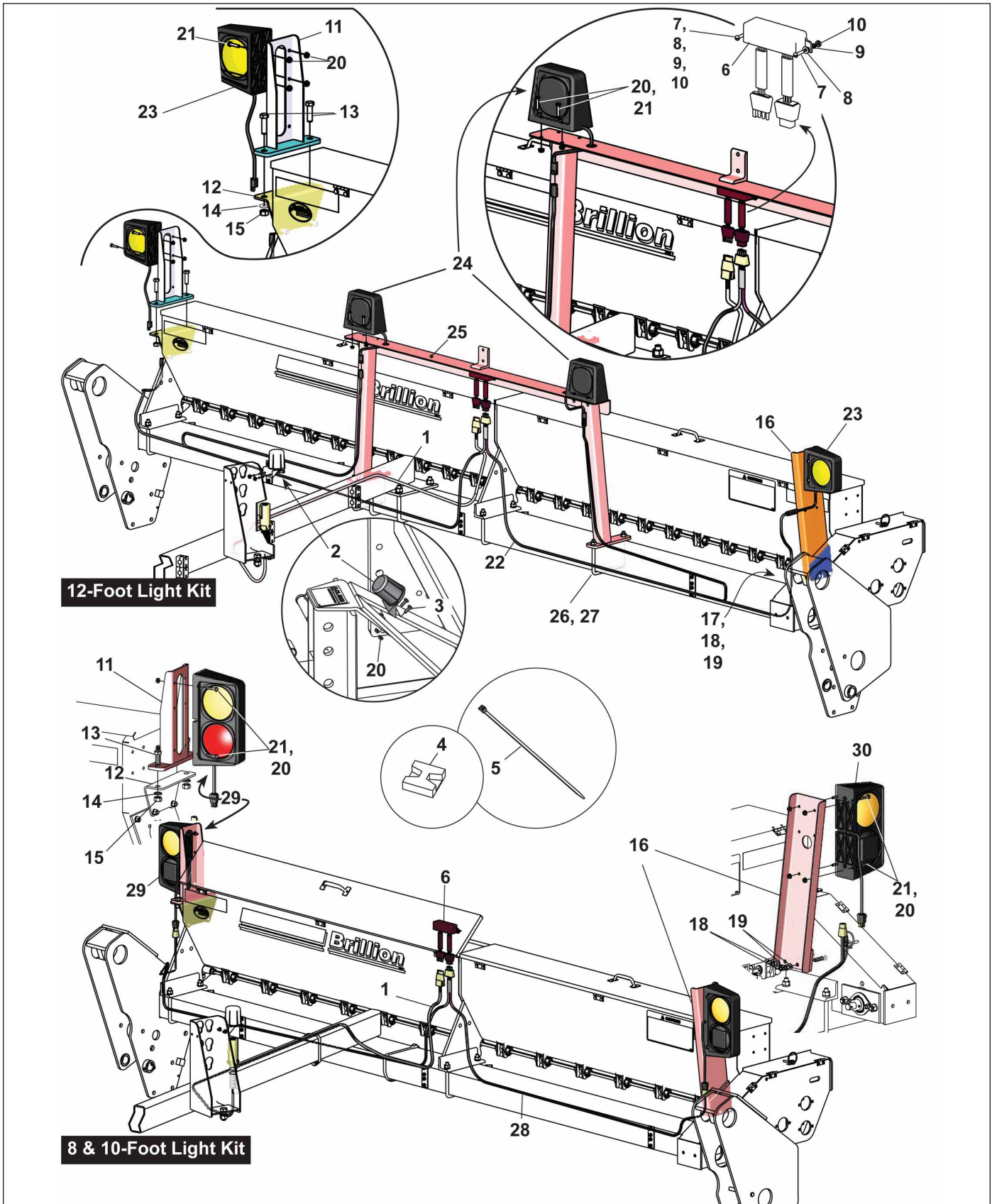


Figure 1-55: Warning Lamps (BEFORE 08/2013)

Warning Lamps (BEFORE 08/2013)

ITEM	PART NUMBER	DESCRIPTION	QTY		
			8'	10'	12'
		MODELS	8'	10'	12'
1	9K784	AG HARNESS, 15'(002415)	1	1	1
2	8K664	CONNECTOR HOLDER (105728) (7-PIN AG)	1	1	1
3	1-654-010047-04	HHCS, 1/4-20 X 3/4 GR2, ZP	2	2	2
4	5K287	CABLE TIE MOUNTING BASE	10	10	10
5	5K288	CABLE TIE	10	10	10
6	8K661	LIGHT MODULE (109812)	1	1	1
7	9K750	RND HD, #8-32 X 3/4, ZP	2	2	2
8	1-861-010032-02	WASHER, FL #8, ZP/CD	2	2	2
9	118-5098	#8 LOCK WASHER, ZP	2	2	2
10	1-512-010007-02	NUT, HEX 8-32, ZP	2	2	2
11	9K822	BRACKET, LIGHT WLD	1	1	1
12	9K743	BRACKET, LIGHT WLD (PART OF SEEDER ASSEMBLY)	1	1	1
13	1-654-010055-02	SCREW, 1/2-13UNC X 1-1/4, GR5	2	2	2
14	1-861-010034-13	WASHER, LKG HLCL SPR, 1/2	2	2	2
15	1-512-010007-09	NUT, HEX 1/2-13, ZP	2	2	2
16	9K825	BRACKET, LIGHT WLD	1	1	1
17	1-654-010051-07	SCREW, HEX CAP, 3/8-16UNC X 1-1/2	2	2	2
18	1-512-010007-07	NUT, HEX 3/8-16, ZP	2	2	2
19	1-861-010034-11	WASHER, LKG HLCL SPR, 3/8	2	2	2
20	108417	NUT SPIRAL 1/4-20, HX FG	10	10	18
21	1-654-010047-07	SCREW, HX CP 1/4-20UNC X 1-1/4, G5	16	8	16
22	8K663	EXTENSION WISHBONE (1415013)	--	--	1
23	8K659	AMBER LIGHT (SINGLE AG LIGHT)	--	--	2
24	8K660	RED LIGHT (SINGLE AG LIGHT)	--	--	2
25	9K817	BRACKET, LIGHT BAR WLD	--	--	1
26	4J918	U BOLT, 1/2-13 X 6-1/2 X 5-1/4	--	--	2
27	1-512-010005-09	NUT, HEX SLFLKG 1/2-13, GRB	--	--	4
28	9K787	EXT WISHBONE, DOUBLE LIGHT	1	1	--
29	9K731	DUAL LAMP, W/BRAKE LH/HORIZ (USED RH SIDE)	1	1	--
30	9K732	DUAL LAMP, W/BRAKE RH/HORIZ (USED LH SIDE)	1	1	--

Scraper Kit, 8FT Tube Mounted - Optional

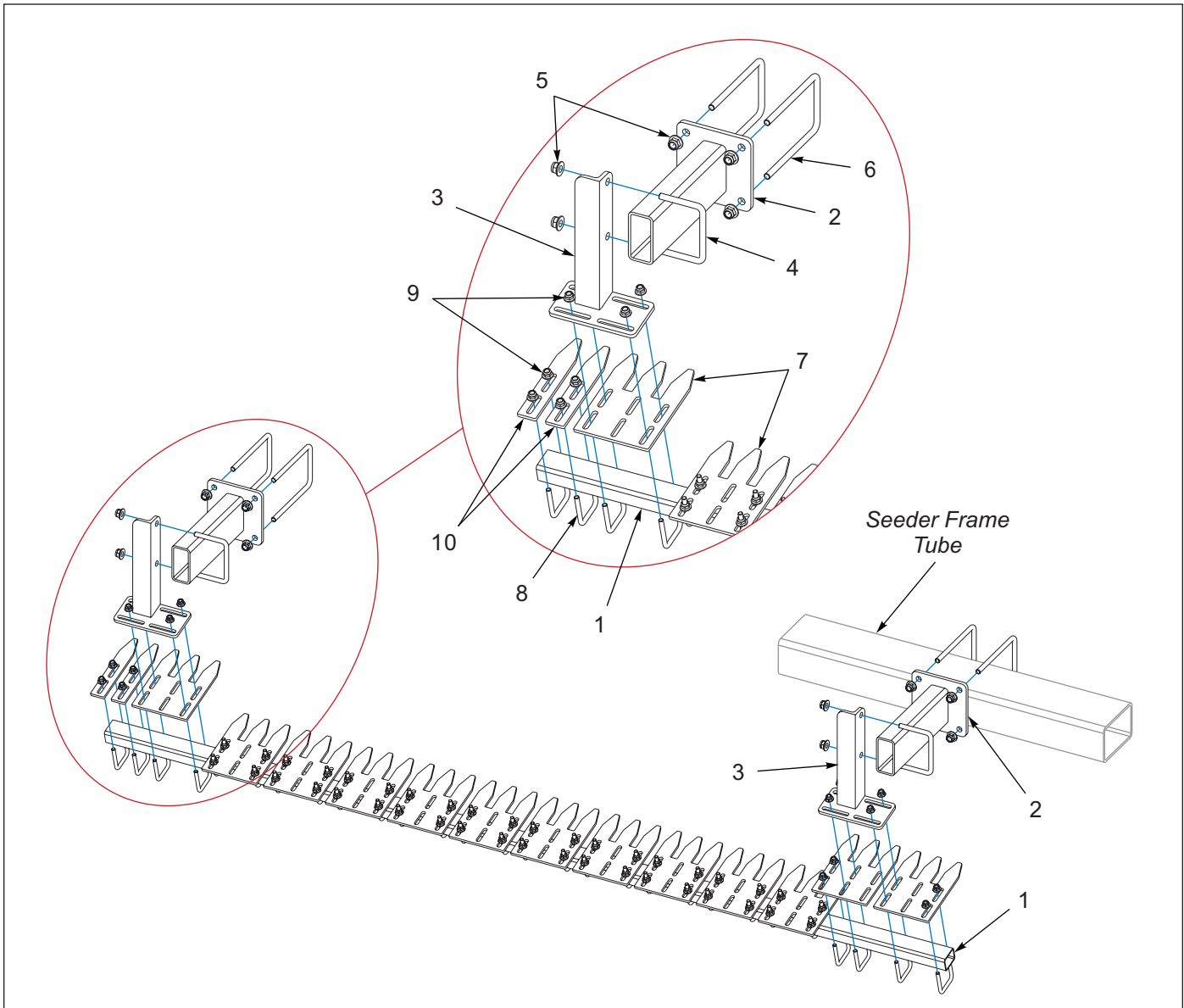


Figure 1-56: Scraper Kit, 8FT Tube Mounted - Optional

Scraper Kit, 8FT Tube Mounted - Optional

ITEM	PART NUMBER	DESCRIPTION	QTY
	244061	SCRAPER KIT, 8 FT	1
1	244064	TUBE,2 X 1-1/2 X 93	1
2	1K212	BRACKET WLDMT	2
3	244058	BRACKET,SCRAPER	2
4	5J915	U-BOLT 1/2-13 X 3-1/4 X 4-9/16	2
5	2P253	NUT, FLANGE NY-LOK 1/2-13	12
6	3J561	U-BOLT 1/2-13 X 7-1/2 X 4-1/2	4
7	242499	SCRAPER,3 WHEEL	13
8	171749	U-BOLT, 3/8-16X2-7/16X2-3/4,ZP	28
9	2P252	NUT, FLANGE NY-LOK 3/8-16	56
10	244050	SCRAPER,SINGLE	2

Scraper Kit, 10FT Tube Mounted - Optional

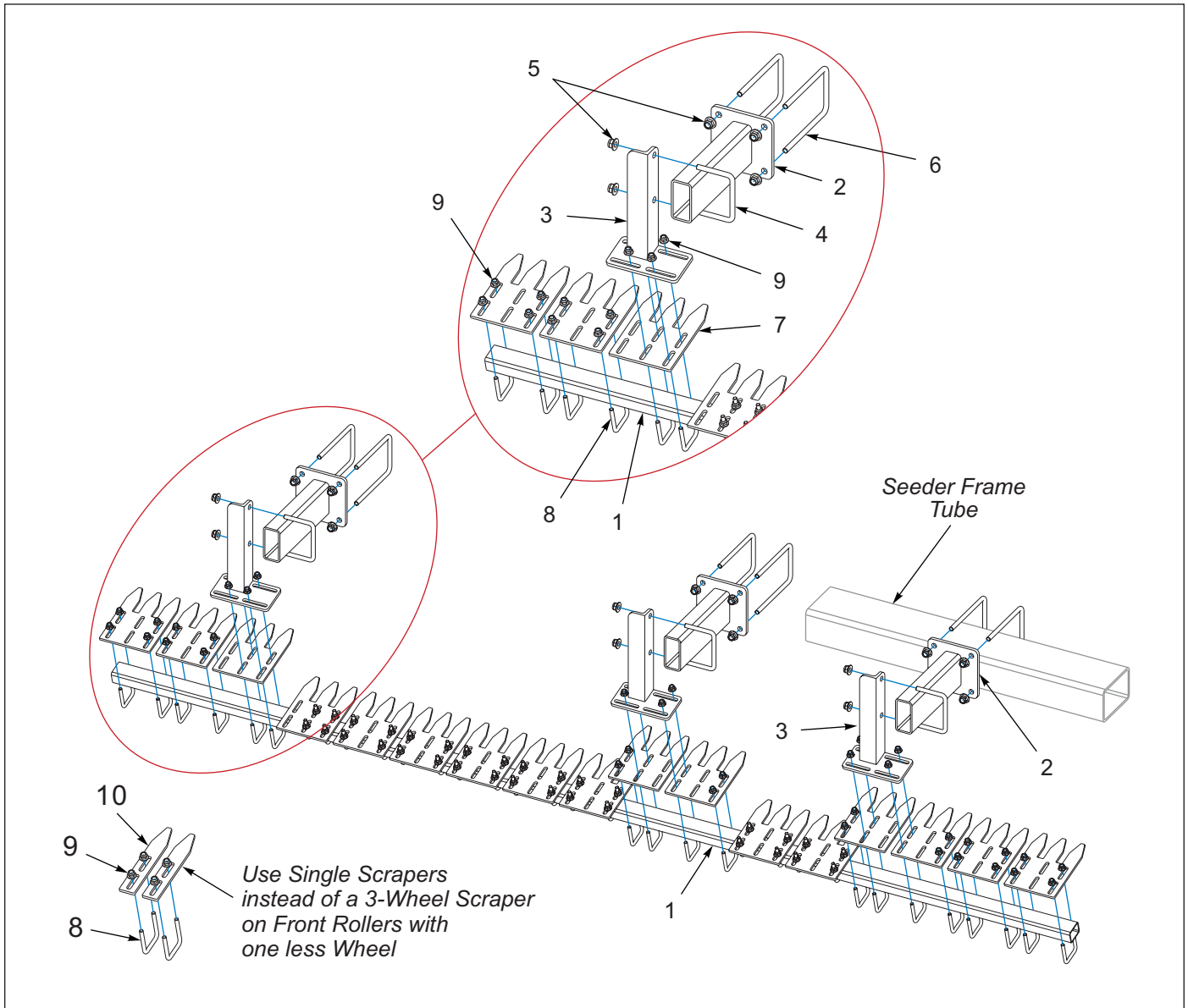


Figure 1-57: Scraper Kit, 10FT Tube Mounted - Optional

Scraper Kit, 10FT Tube Mounted - Optional

ITEM	PART NUMBER	DESCRIPTION	QTY
	244062	SCRAPER KIT, 10 FT	1
1	190884	TUBE RECT 2 X 1-1/2 X 11GAX116	1
2	1K212	BRACKET WLDMT	3
3	244058	BRACKET,SCRAPER	3
4	5J915	U-BOLT 1/2-13 X 3-1/4 X 4-9/16	3
5	2P253	NUT, FLANGE NY-LOK 1/2-13	18
6	3J561	U-BOLT 1/2-13 X 7-1/2 X 4-1/2	6
7	242499	SCRAPER,3 WHEEL	17
8	171749	U-BOLT, 3/8-16X2-7/16X2-3/4,ZP	36
9	2P252	NUT, FLANGE NY-LOK 3/8-16	72
10	244050	SCRAPER,SINGLE	2

Scraper Kit, 12FT Tube Mounted - Optional

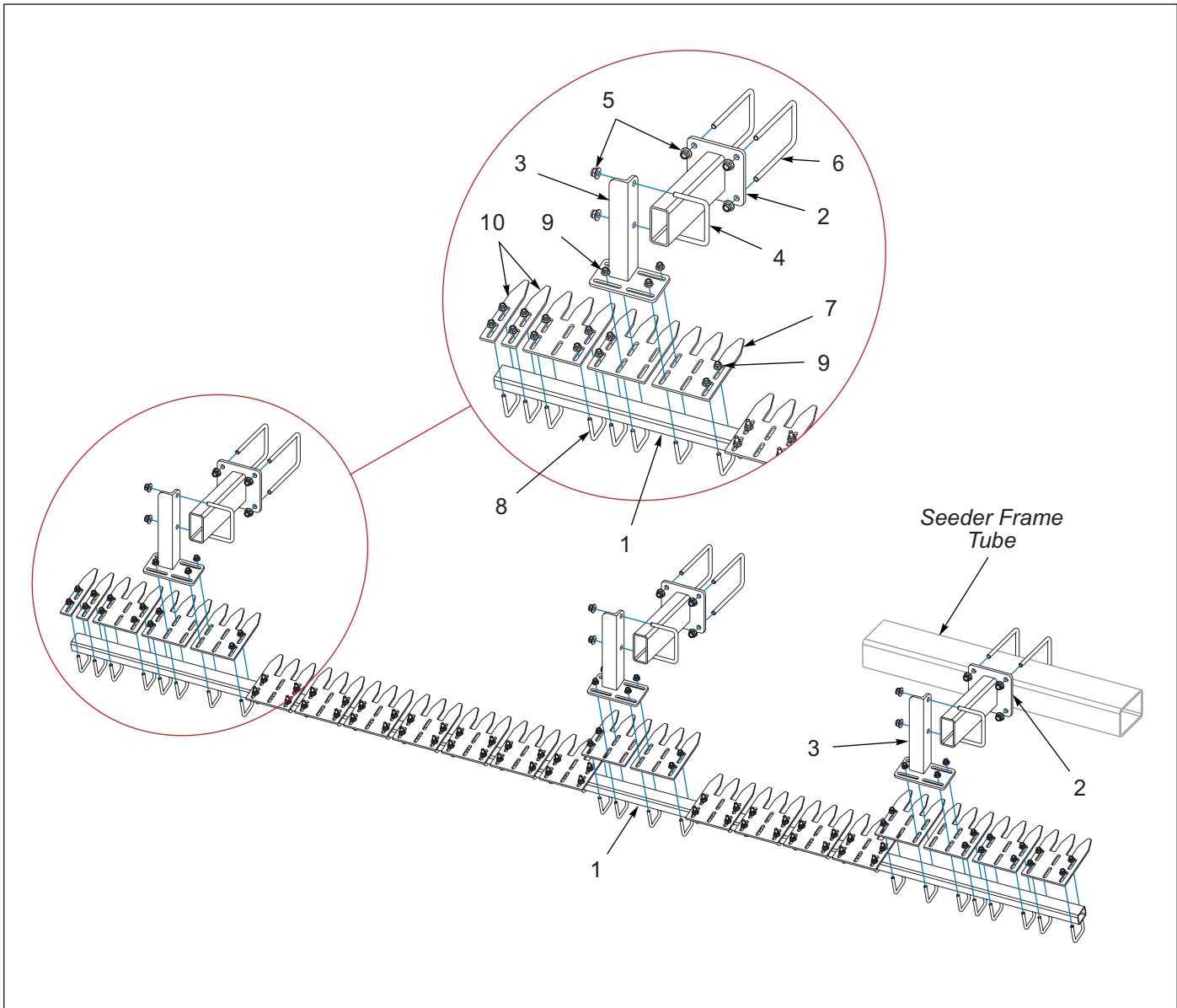


Figure 1-58: Scraper Kit, 12FT Tube Mounted - Optional

Scraper Kit, 12FT Tube Mounted - Optional

ITEM	PART NUMBER	DESCRIPTION	QTY
	244063	SCRAPER KIT, 12 FT	1
1	244065	TUBE, 2 X 1-1/2 X 141	1
2	1K212	BRACKET WLDMT	3
3	244058	BRACKET, SCRAPER	3
4	5J915	U-BOLT 1/2-13 X 3-1/4 X 4-9/16	3
5	2P253	NUT, FLANGE NY-LOK 1/2-13	18
6	3J561	U-BOLT 1/2-13 X 7-1/2 X 4-1/2	6
7	242499	SCRAPER, 3 WHEEL	20
8	171749	U-BOLT, 3/8-16 X 2-7/16 X 2-3/4, ZP	42
9	2P252	NUT, FLANGE NY-LOK 3/8-16	84
10	244050	SCRAPER, SINGLE	2

Scraper Kit, Angle Mounted - Optional

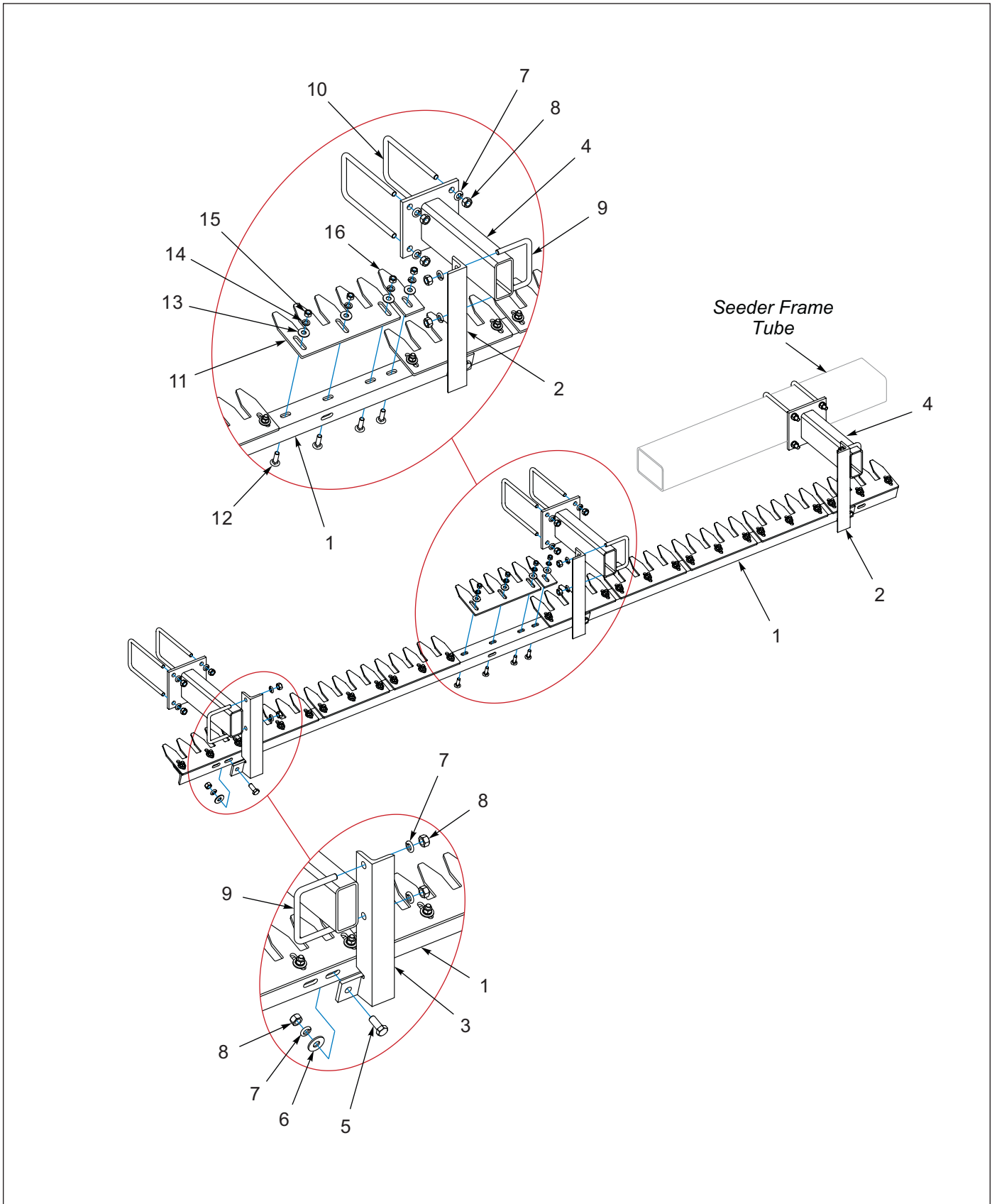


Figure 1-59: Scraper Kit, Angle Mounted - Optional

Scraper Kit, Angle Mounted - Optional

ITEM	PART NUMBER	DESCRIPTION	QTY		
			8'	10'	12'
		MODELS	8'	10'	12'
	1K225	8' SEEDER SCRAPER KIT	1	--	--
	1K224	10' SEEDER SCRAPER KIT (SHOWN)	--	1	--
	2K526	12' SEEDER SCRAPER KIT	--	--	1
1	1K228	ANGLE (92-3/4")	1	--	--
1	1K219	ANGLE (115-9/16")	--	1	--
1	2K467	ANGLE (140-5/8")	--	--	1
2	1K214	LH BRACKET	1	2	2
3	1K215	RH BRACKET	--	1	--
4	1K212	BRACKET	2	3	3
5	1-654-010055-02	SCREW, 1/2-13UNC X 1-1/4, GR5	2	3	3
6	1-861-010032-15	WASHER, FLAT 1/2 W, ZP/CD	2	3	3
7	1-861-010034-13	WASHER, LKG HLCL SPR, 1/2	14	21	21
8	1-512-010007-09	NUT, HEX 1/2-13, ZP	14	21	21
9	5J915	U-BOLT 1/2-13 X 4-9/16 X 3-1/4	2	3	3
10	3J561	U-BOLT 1/2-13 X 4 1/2 X 7-1/2	4	6	6
11	1K220	SCRAPER	8	10	12
12	101864	SCREW, HD RD MACH 3/8-16 X 1-1/4, G5	25	31	38
13	1-861-010032-11	WASHER, FLAT 3/8 W, ZP/CD	25	31	38
14	1-861-010034-11	WASHER, LKG HLCL SPR, 3/8	25	31	38
15	1-512-010007-07	NUT, HEX 3/8-16, ZP	25	31	38
16	1K221	CENTER SCRAPER	1	1	2

S-Tine Tire Track Remover Kit - Optional

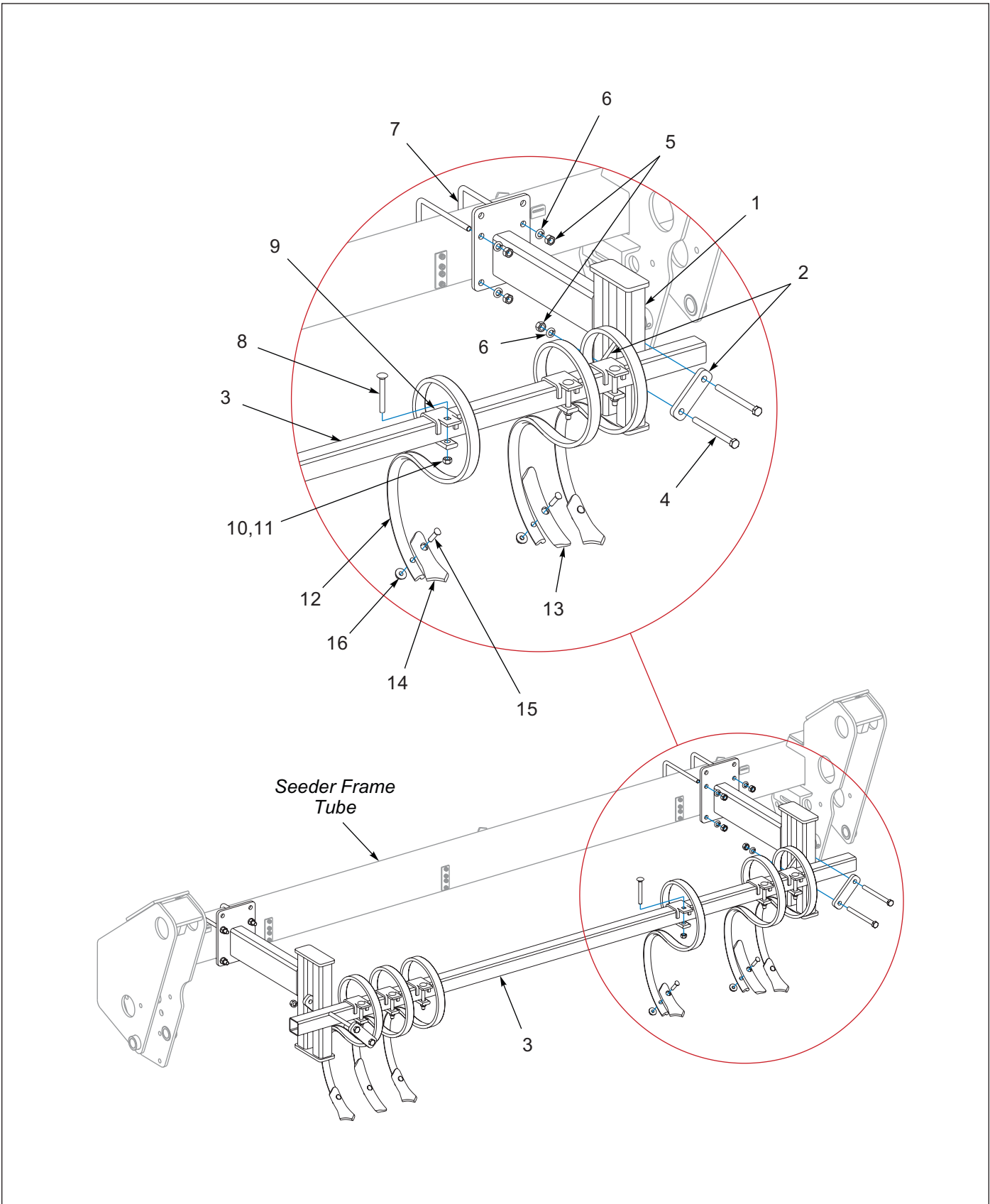


Figure 1-60: S-Tine Tire Track Remover Kit - Optional

S-Tine Tire Track Remover Kit - Optional

ITEM	PART NUMBER	DESCRIPTION	QTY		
			8'	10'	12'
		MODELS	8'	10'	12'
	9J931	8' S-TINE TRACK REMOVER KIT	1	--	--
	9J438	10' S-TINE TRACK REMOVER KIT	--	1	--
	2K496	12' S-TINE TRACK REMOVER KIT	--	--	1
1	9J474	BRACKET	2	2	2
2	5J358	STRAP	4	4	4
3	9J579	TUBE (90" TOOTH BAR, 8FT)	1	--	--
3	9J477	TOOTH BAR (118" TUBE, 10FT)	--	1	--
3	9J962	TUBE (136" TOOTH BAR, 12FT)	--	--	1
4	1-654-010055-17	SCREW, HEX CAP 1/2-13UNC X 6, GR5	4	4	4
5	1-512-010007-09	NUT, HEX 1/2-13, ZP	12	12	12
6	1-861-010034-13	WASHER, LKG HLCL SPR, 1/2	12	12	12
7	3J561	U-BOLT 1/2-13 X 7-1/2 X 4-1/2	4	4	4
8	2J241	SCREW, 7/16-14NC X 3-1/2 RDHD SQNK	6	6	6
9	1J834	CLAMP	6	6	6
10	1-861-010034-12	WASHER, LOCKING HLC SPG 7/16	6	6	6
11	101988	NUT HEX, SLF-LKG 7/16-14, GRB	6	6	6
12	1J887	SPRING TINE	6	6	6
13	2J155	HEAVY DUTY REVERSIBLE POINT	2	2	2
14	7D014	DUCKFOOT POINT	4	4	4
15	7D728	CULTIVATOR BOLT (3/8-16 X 1-3/4)	6	6	6
16	5J616	FLANGE LOCK NUT, 3/8-16	6	6	6

Coil Tine Track Remover Kit - Optional

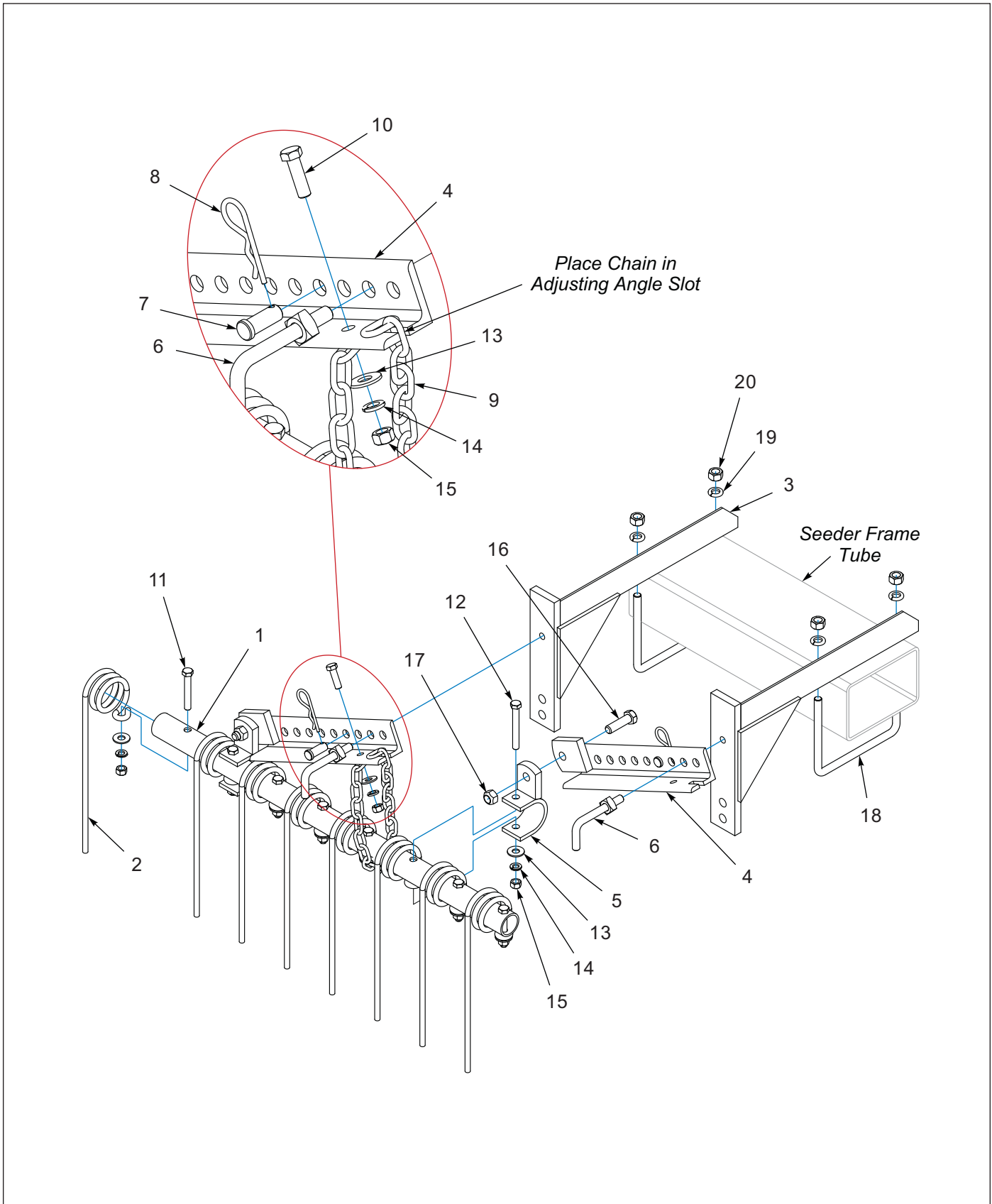


Figure 1-61: Coil Tine Track Remover Kit - Optional

Coil Tine Track Remover Kit - Optional

ITEM	PART NUMBER	DESCRIPTION	QTY
	9J932	COIL TINE TRACK REMOVER KIT	1
1	5J601	BAR	2
2	5J603	COIL TINE	16
3	9J942	BRACKET	4
4	7J093	ADJUSTING ANGLE	4
5	7J095	ARM WELDMENT	4
6	7J088	LOCK SCREW	4
7	7J096	CLEVIS PIN	4
8	4C856	HAIR PIN COTTER	4
9	3J951	CHAIN	2
10	1-654-010051-06	SCREW,HEX CAP 3/8-16UNCX1-1/4	2
11	1-654-010051-11	SCREW HX CP 3/8-16X2-1/2 G5ZP	12
12	1-654-010051-13	SCREW,HX CP, 3/8-16UNCX3,GR5	4
13	1-861-010032-11	WASHER, FLAT 3/8 W ZP/CD	14
14	1-861-010034-11	WASHER, LKG HLCL SPR, 3/8	18
15	1-512-010007-07	NUT, HEX 3/8-16 ZP	18
16	1-654-010055-04	SCREW,HEX CAP, 1/2-13UNCX1-3/4	4
17	1-512-010005-09	NUT,HEX,SLFLKG, 1/2-13 GRB	4
18	4J918	U-BOLT 1/2 X 5-1/4 X 6-1/16	4
19	1-861-010034-13	WASHER, LKG HLCL SPR, 1/2	8
20	1-512-010007-09	NUT, HEX 1/2-13 ZP	8

Speed-Up Kit - Optional

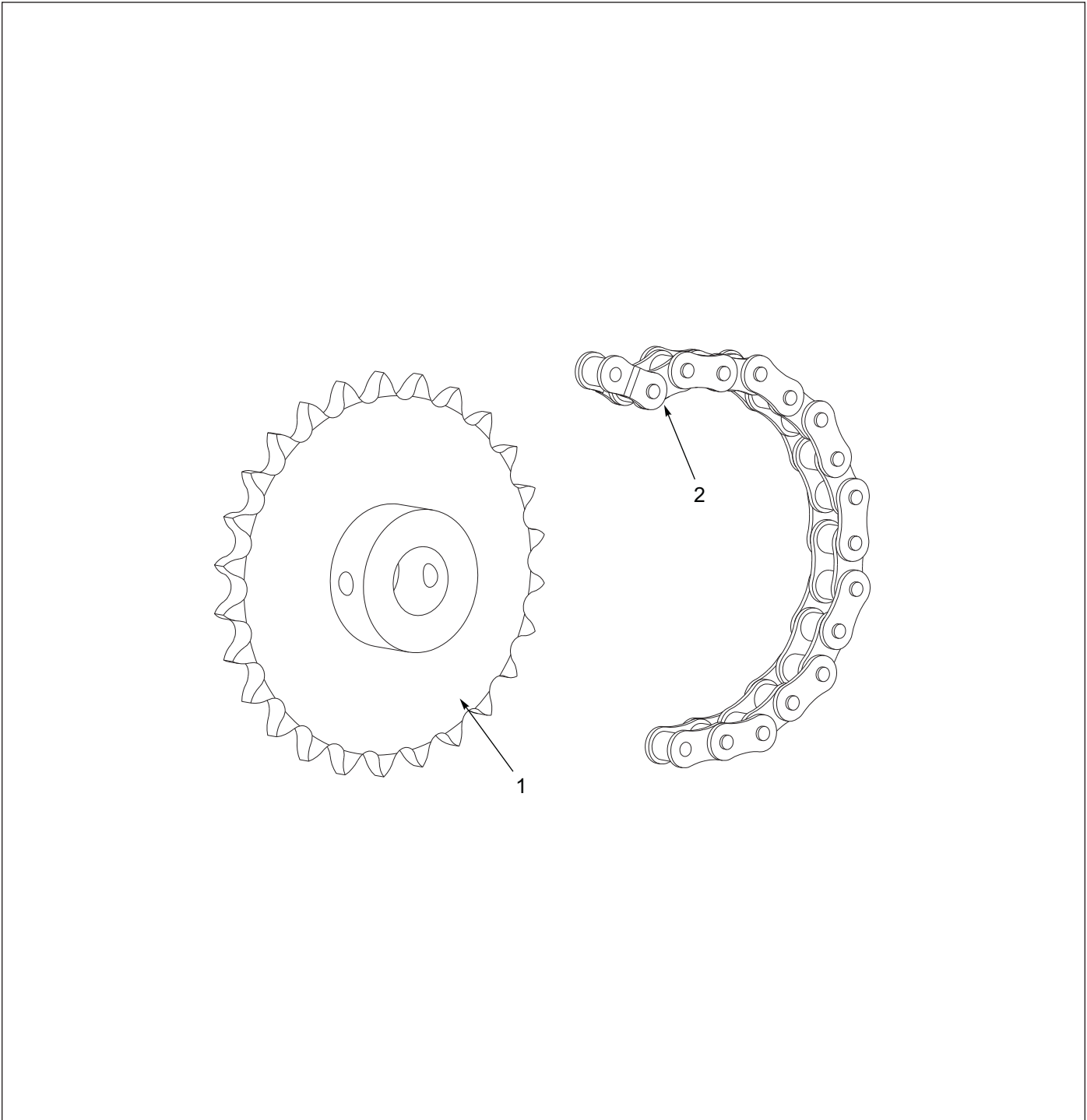


Figure 1-62: Speed-Up Kit - Optional

Speed-Up Kit - Optional

ITEM	PART NUMBER	DESCRIPTION	QTY		
			8'	10'	12'
		MODELS	8'	10'	12'
	9J495	SPEED UP KIT SS/SL 8, 10, 12	1	1	1
1	9J617	SPROCKET 26T (#40B 26 X 3/4 BORE)	1	1	1
2	9J618	ROLLER CHAIN-#40 8 PITCHES (INCL. CONN. LINK)	1	1	1

Brillion Elite Mini Monitor Kit - Optional

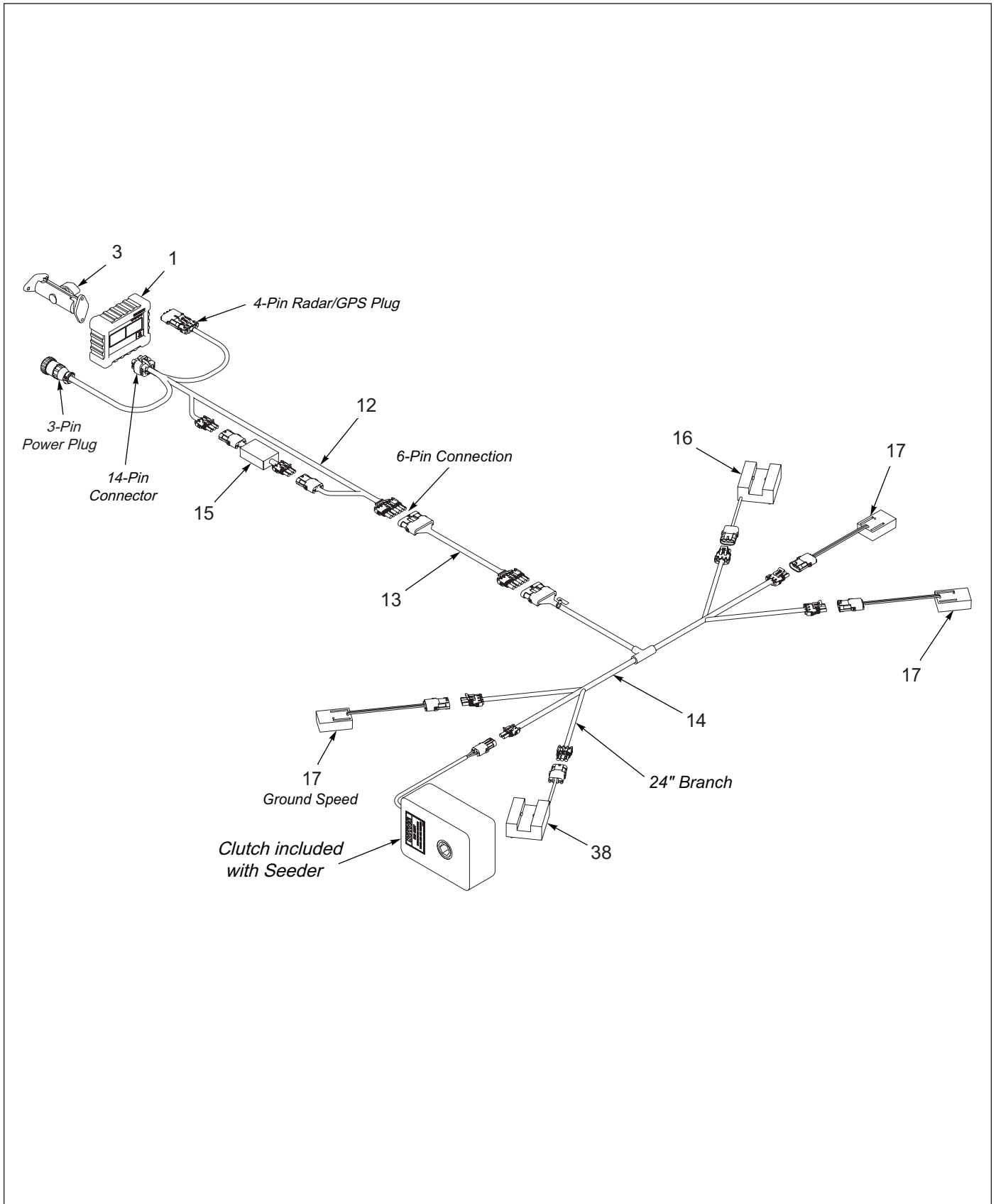


Figure 1-63: Brillion Elite Mini Monitor Electrical Schematic

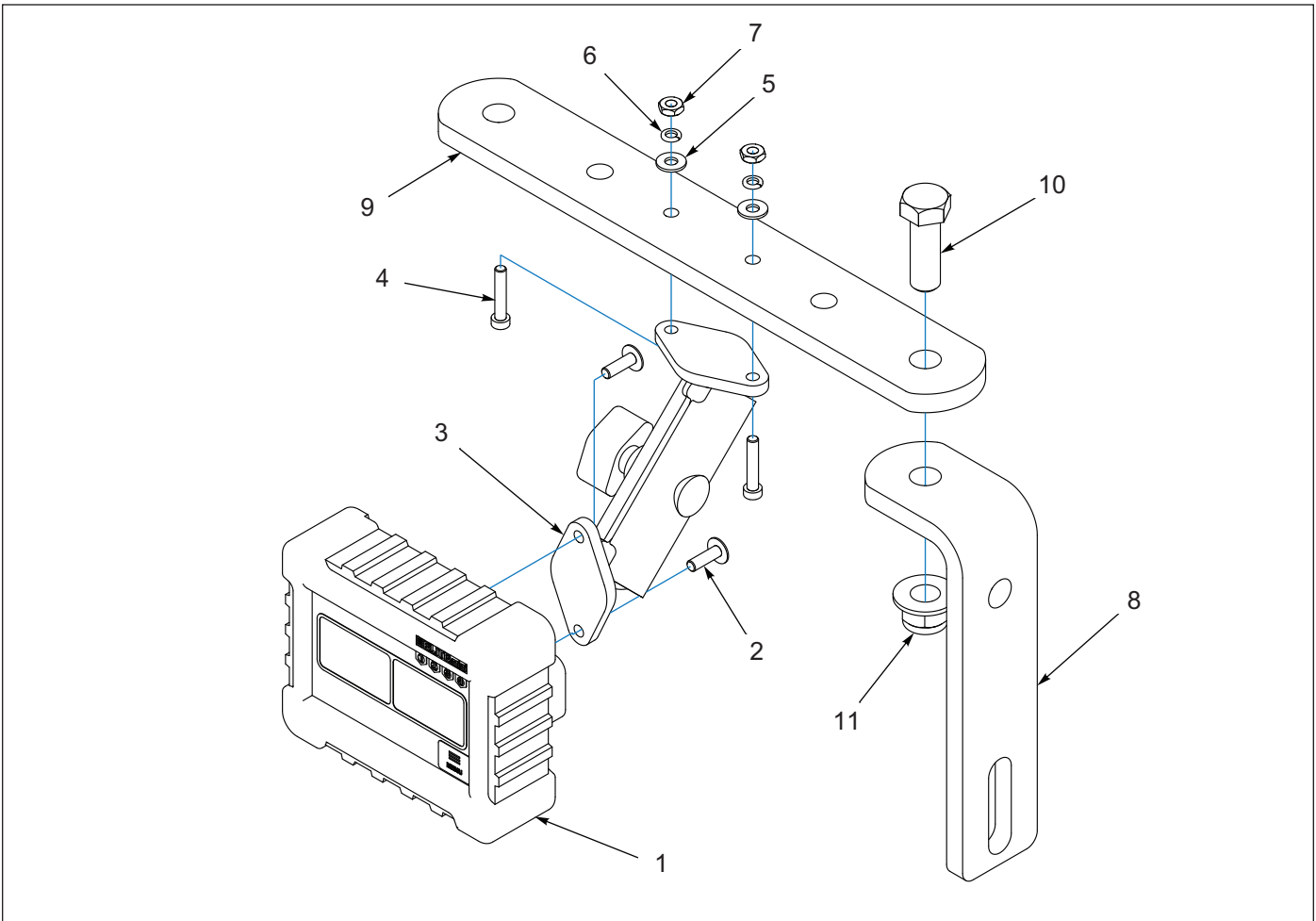


Figure 1-64: Brillion Elite Mini Monitor Tractor Mount

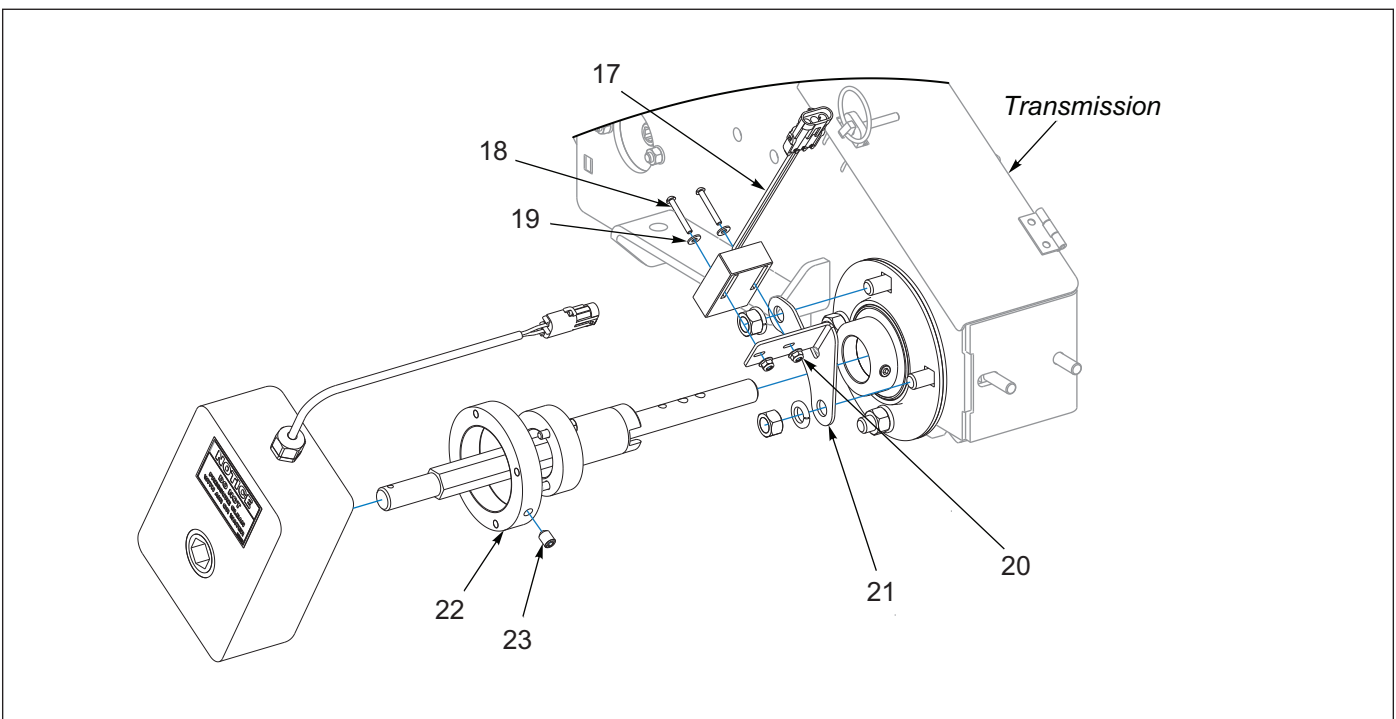


Figure 1-65: Brillion Elite Mini Monitor - Ground Speed

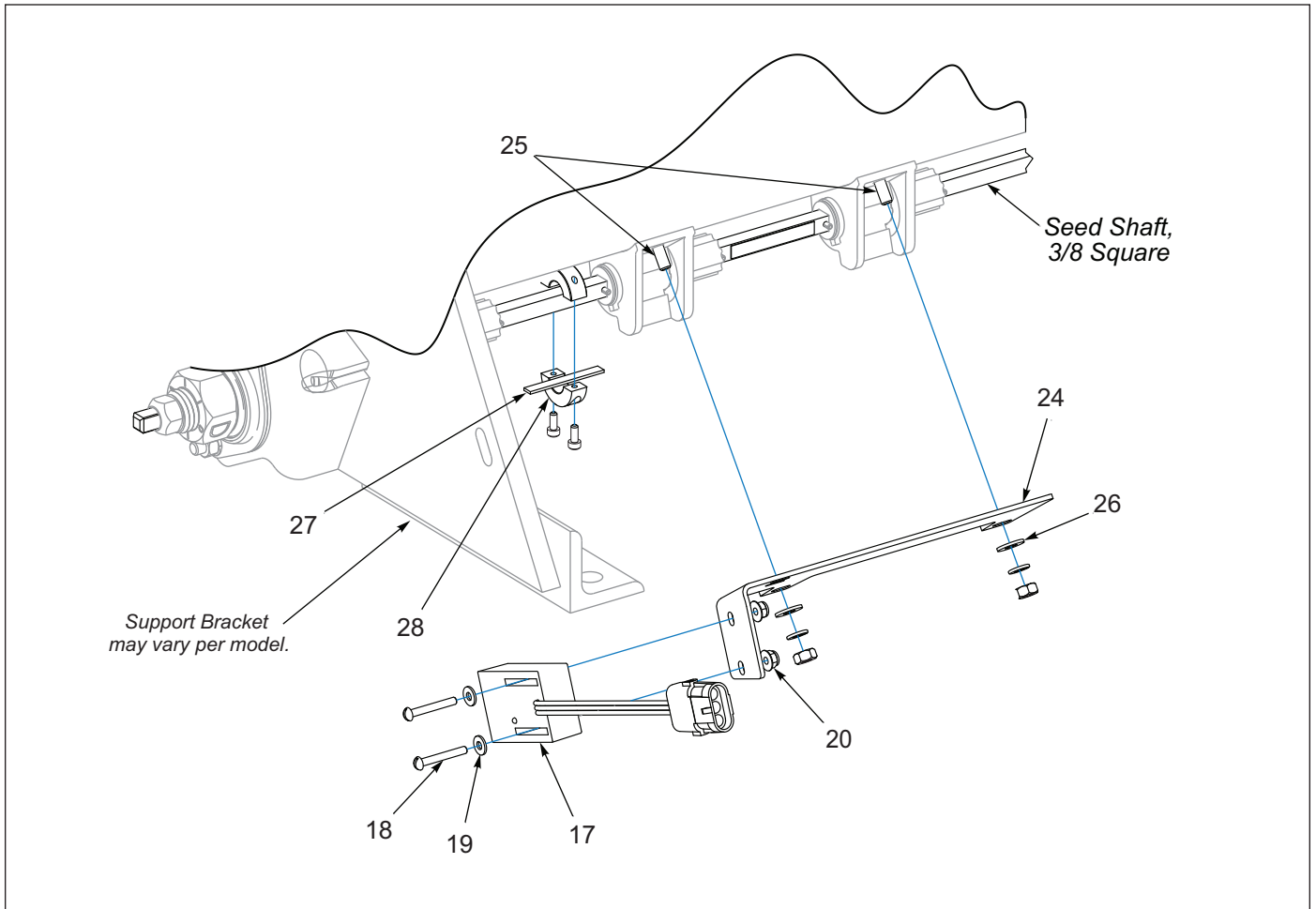


Figure 1-66: Brillion Elite Mini Monitor - Front Seed Box Seed Shaft Sensor

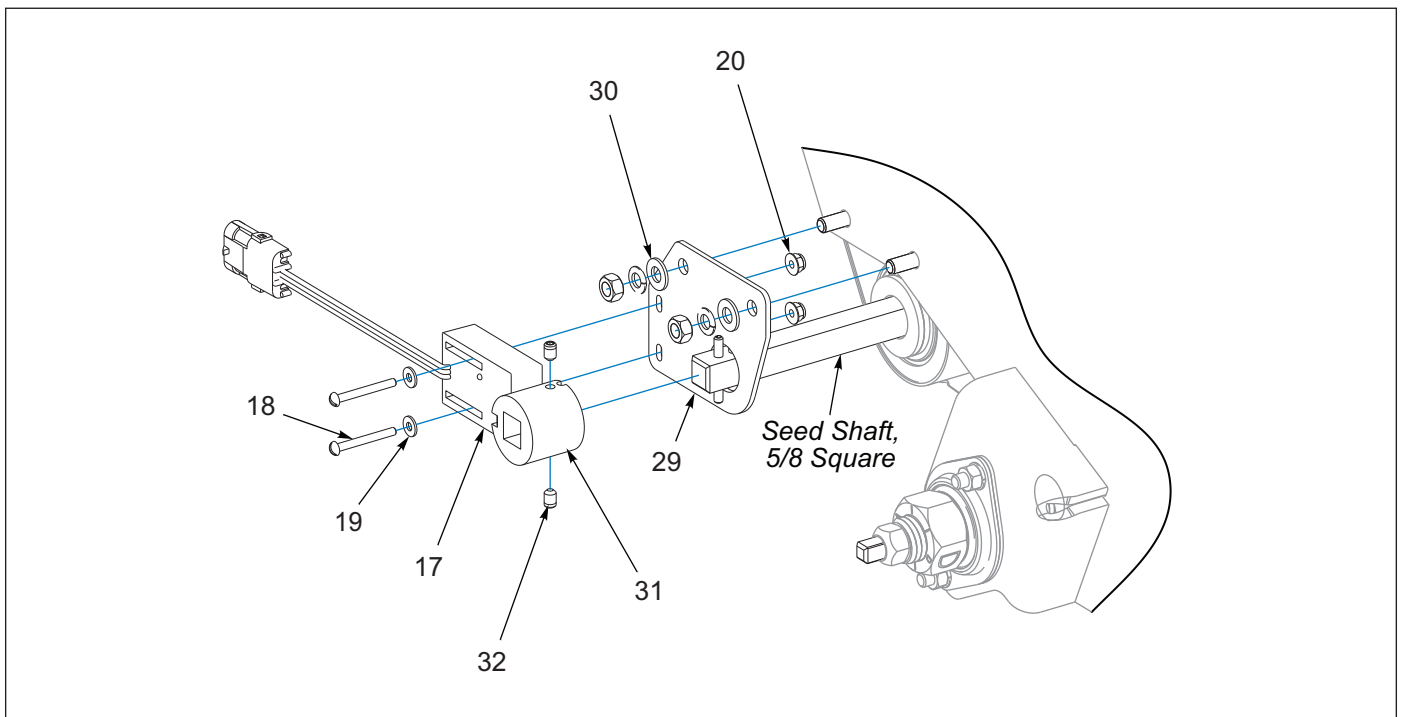


Figure 1-67: Brillion Elite Mini Monitor - Rear Seed Box Seed Shaft Sensor

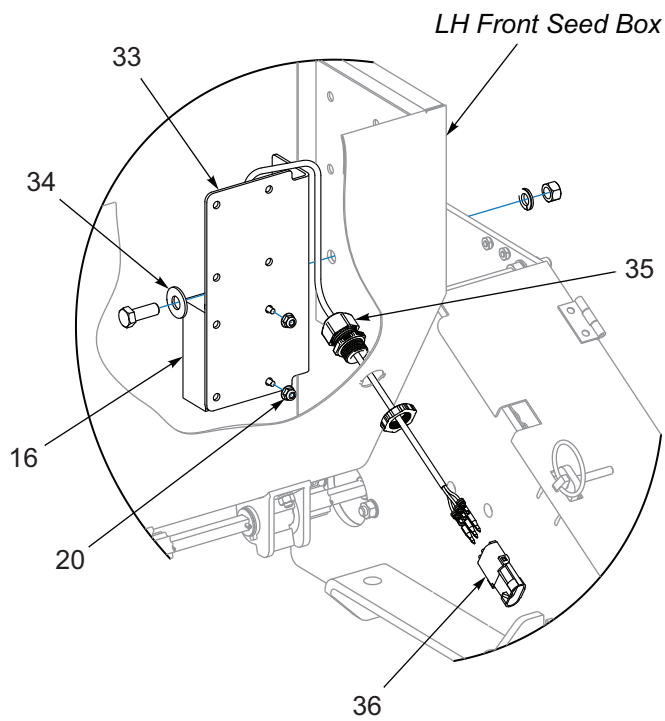
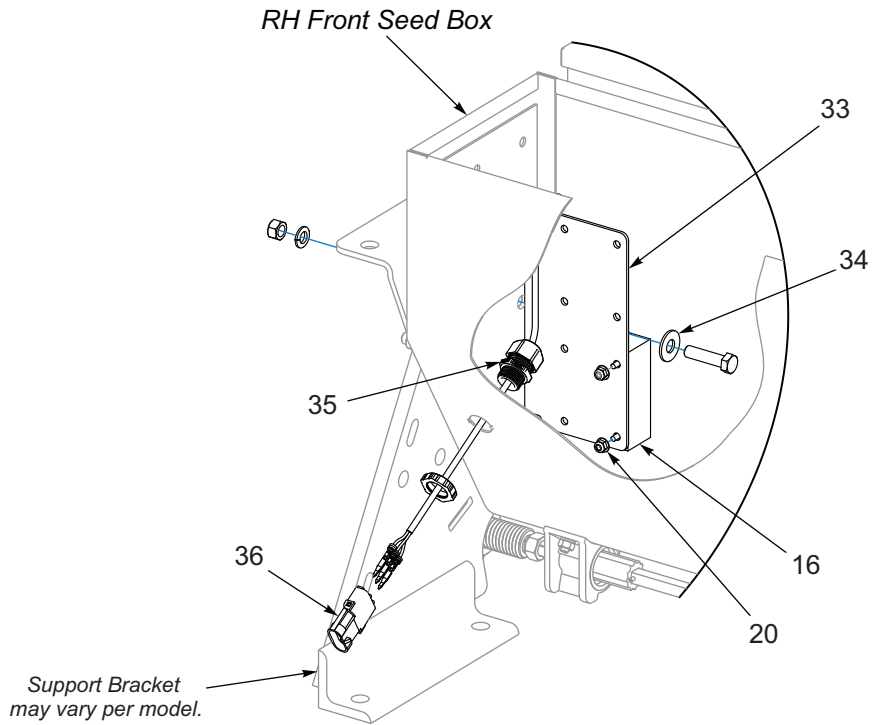


Figure 1-68: Brillion Elite Mini Monitor - Front Seed Box Bin Level Sensor

Brillion Elite Mini Monitor Kit - Optional

ITEM	PART NUMBER	DESCRIPTION	QTY
	236947	KIT, SSB ELITE MINI MONITOR	1
1	233483	MONITOR,BRILLION ELITE MINI (INCLUDES ITEM 2)	1
2	237780	SCREW, M5-0.8X16 FBHSC (METRIC)	2
3	174434	MOUNT, LOUP II MONITOR (INCLUDES ITEMS 4-7)	1
4	197150	SCREW MACK FILL #10-24X1, PHIL	2
5	1-861-010032-03	WASHER, FLAT #10 XP/CD	2
6	1-861-010034-07	WASHER,LKG,HLCL SPR, NO 10	2
7	1-512-010007-03	NUT, HEX 10-24 GR2 ZP	2
8	208527	ANGLE BRACKET,INTERFACE	1
9	208528	STRAIGHT BRACKET, INTERFACE	1
10	1-654-010055-03	SCREW,HEX CAP,1/2-13UNCX1-1/2	1
11	2P253	NUT, FLANGE NY-LOK 1/2-13	1
12	233479	HARNESS, ELITE MINI, TRACTOR	1
13	233481	HARNESS, 240" EXTENSION	1
14	233477	HARNESS, SEEDER	1
15	233480	SMART CLUTCH RELAY	1
16	174399	SENSOR, BIN LEVEL	2
17	174419	SENSOR, SMART SHAFT	3
18	5K262	SCREW,RD HD MACH #8-32X1-1/4	6
19	1-861-010032-02	WASHER,FL #8 ZP/CD	6
20	234115	NUT,FLANGE NY-LOK #8-32	10
21	233476	BRACKET, PICKUP SWITCH	1
22	233485	ACTUATOR ASM, 2-3/4" SHAFT (INCLUDES ITEM 23)	1
23	122709	SCREW,SET,HXSKTCPPT 3/8-16X1/2	1
24	234484	MOUNT, SENSOR, 6.0 SPACING (12FT)	1
24	234486	MOUNT, SENSOR, 8.0 SPACING (8FT)	1
24	234487	MOUNT, SENSOR, 8.59 SPACING (10FT)	1
25	1C357	SCREW MACH HD 1/4-20NCX3/4	2
26	1-861-010032-06	WASHER, FLAT 1/4 N ZP/CD	2
27	234193	MAGNET,2 X 1/4 X 1/16	1
28	233496	COLLAR, MAGNET, 3/8 SQ	1
29	234194	PLATE, RETAINER W/SENSOR	1
30	1-861-010032-08	WASHER,FLAT 5/16 N ZP	2
31	185978	MAGNET MNT ASM,BROME SHAFT (INCLUDES ITEM 32)	1
32	124032	SCREW SETHXSKTFTPT1/4-20X3/8Z	2
33	233490	BRACKET, BIN LEVEL SENSOR	2
34	1-861-010032-11	WASHER, FLAT 3/8 W ZP/CD	2
35	234195	CORDGRIP,0.17-0.45XM20THRD	2
36	194841	SHROUD,3-PIN WEATHER PACK	2

Harness Connectors can be purchased separately. (See Figure 1-80 and 1-81)

Console w/Clutch Control Kit - Optional

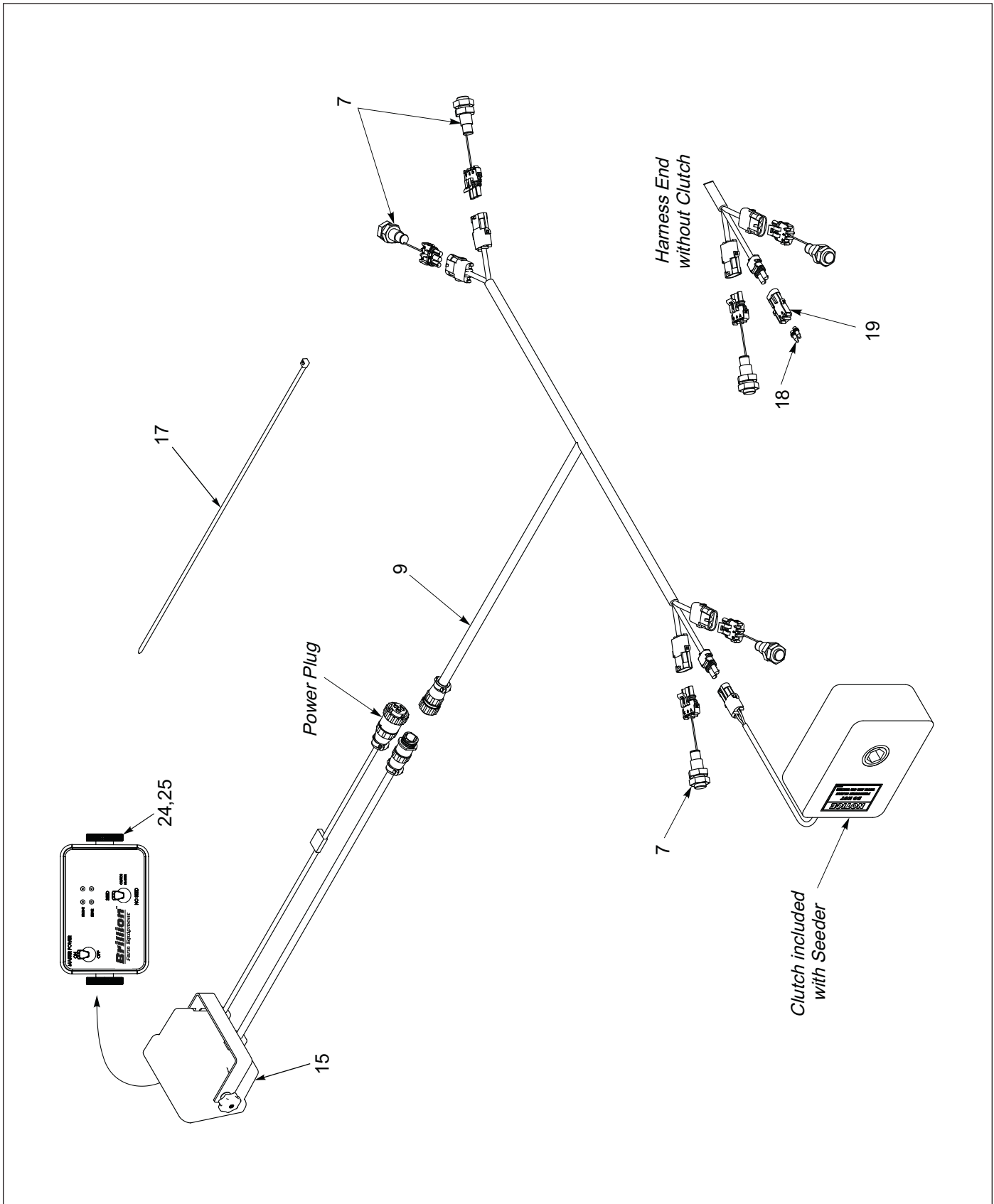


Figure 1-69: Console w/Clutch Control - Electrical Schematic

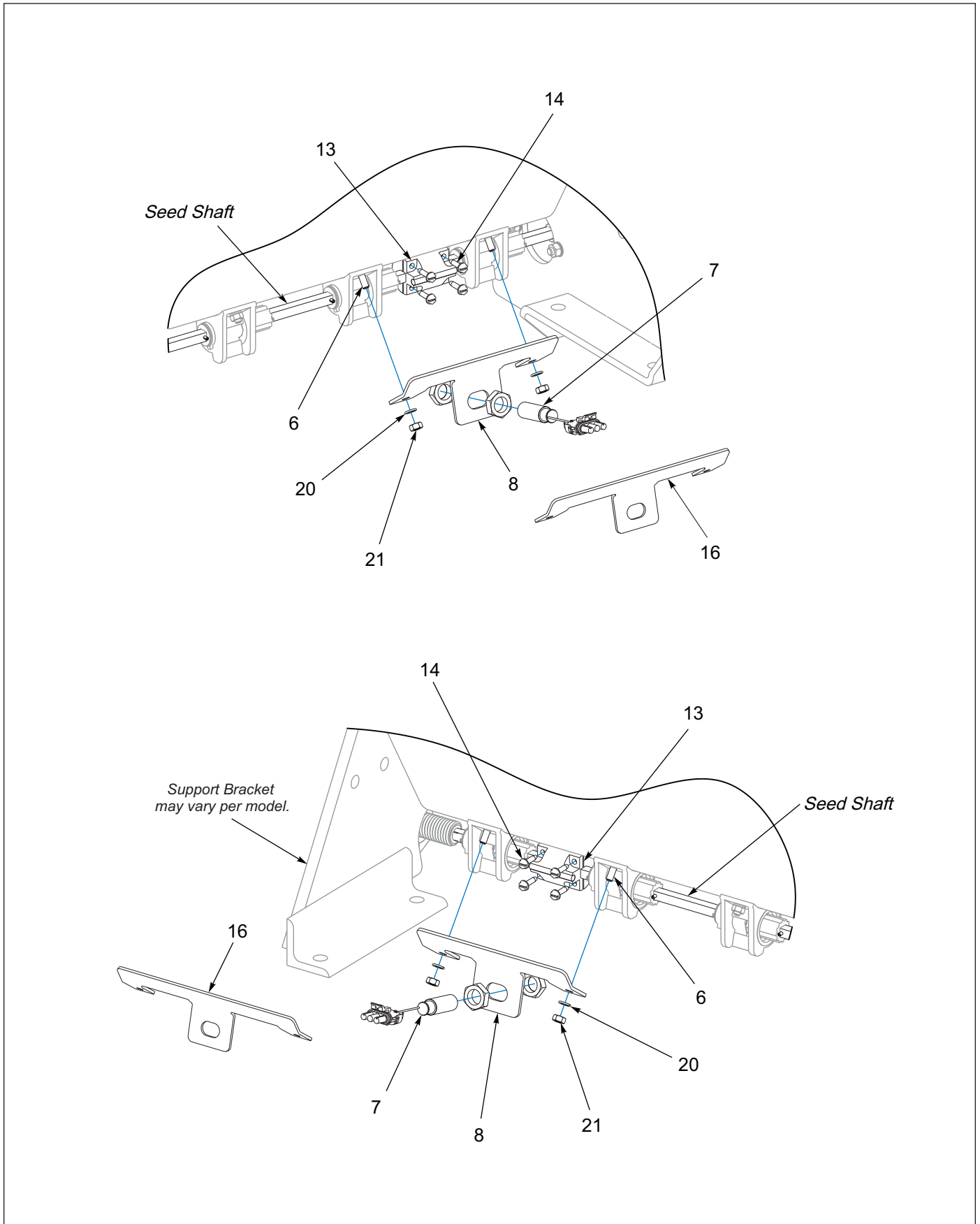


Figure 1-70: Console w/Clutch Control Front Seed Box Seed Shaft Sensor

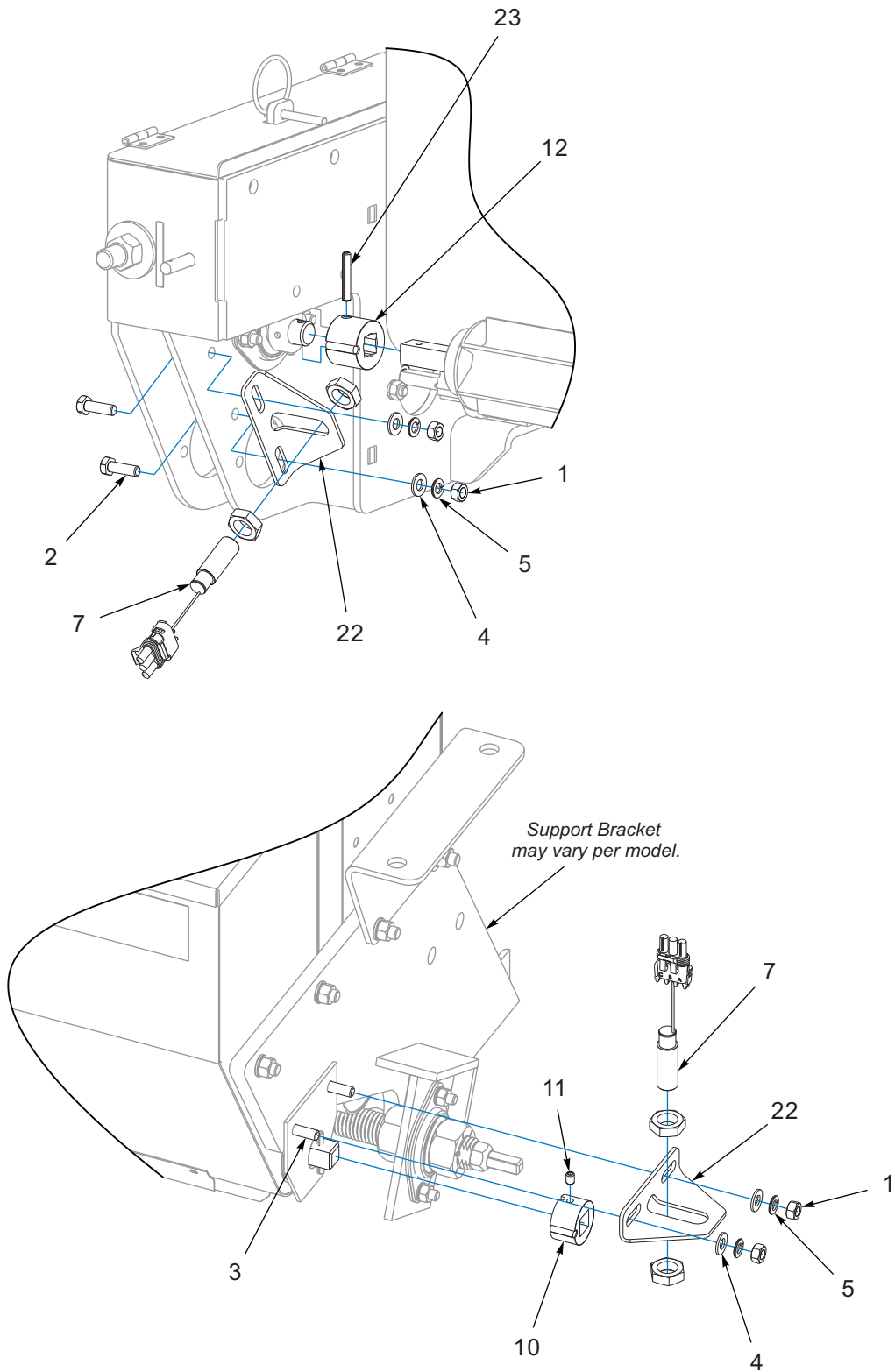


Figure 1-71: Console w/Clutch Control Rear Seed Box Seed Shaft Sensor

Console w/Clutch Control Kit - Optional

ITEM	PART NUMBER	DESCRIPTION	QTY
	194034	KIT, SSB10-12 SHAFT SENSOR	1
1	1-512-010007-06	NUT, HEX 5/16-18	4
2	1-654-010049-05	SCREW, HX CP 5/16-18UNC X 1, GR5	2
3	1-654-010049-09	SCREW, HEX CAP, 5/16-18UNC X 2, GR5	2
4	1-861-010032-08	WASHER, FLAT 5/16, ZP	4
5	1-861-010034-10	WASHER, LKG 5/16	4
6	1C357	SCREW, MACH HD 1/4-20UNC X 3/4	4
7	185944	SENSOR, SEED SHAFT	4
8	185950	BRACKET, SHAFT SENSOR	2
9	185975	HARNESS, WING SEEDER	1
10	185978	MAGNET MNT ASM, BROME SHAFT (INCLUDES ITEM 11)	1
11	124032	SCREW SETHXSKTFTPT1/4-20X3/8Z	2
12	185982	COUPLING, W/MAGNET	1
13	185989	MAGNET WHL ASM 2" 3/8 SQ SHAFT (INCLUDES ITEM 14)	2
14	172935	SCREW, 10-24 X 3/4, HH SELF TAPPING	8
15	185996	CONSOLE, SEEDER W/CLUTCH CONTROL (MOUNTED ON TRACTOR)	1
16	194035	BRACKET, SENSOR 8.5" SP (8FT AND 10FT SEEDERS ONLY)	2
17	7K678	CABLE TIE	15
18	151273	PLUG SEAL, CABLE CAVITY	2
19	122404	SHROUD, 2 PIN WEATHER PACK	1
20	1-861-010034-09	WASHER, LKG HLCL SPR, 1/4	4
21	1-512-010007-05	NUT, HEX 1/4-20	4
22	185943	BRACKET, SHAFT SENSOR	2
23	1-647-010004217	SPRING PIN, SLOTTED 1/4 X 1-1/2	1
24	207619	KNOB, RND 1/4-20 THRD	2
25	207620	STUD,WELD 1/4-20 X 5/8	2

Harness Connectors can be purchased separately. **(SEE PAGE 1-122)**

Electronic Acre Meter Assembly - Optional

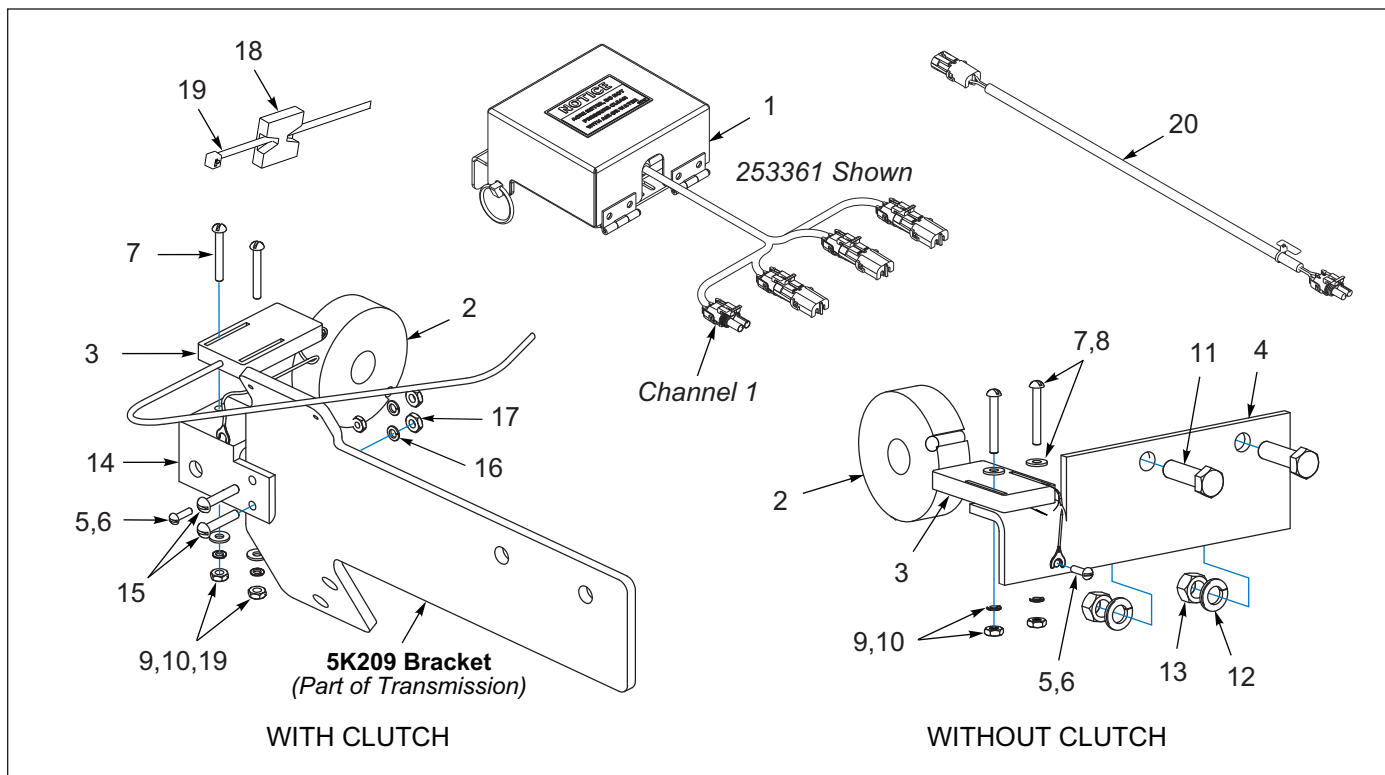


Figure 1-72: Electronic Acre Meter Assembly - Optional

Electronic Acre Meter Assembly - Optional

ITEM	PART NUMBER	DESCRIPTION	QTY
	5K275	ACRE METER KIT, TRAN W/CLUTCH	--
	5K745	ACRE METER KIT, TRAN W/O CLUTCH	--
1	253361	ACRE METER W/ENCLOSURE (AFT. 06/2025) (SEE PAGE 1-115)	1
1	5K310	ACRE METER ASSEMBLY (05/2012 TO 06/2025) (SEE PAGE 1-116)	1
2	5K277	MAGNET WHEEL ASSEMBLY (SET SCREW 122709)	1
3	153862	SWITCH ASM, ELECTRONIC ACRE (PICK-UP SWITCH)	1
4	5K714	BRACKET	1
5	2D045	SCREW, RD HD 6-32NC X 1/2	1
6	12D6E	NUT, HEX #6 - 32	1
7	5K262	SCREW, RD HD MACH #8-32X1-1/4	2
8	1-861-010032-02	WASHER, FL #8, ZP/CD	2
9	118-5098	#8 LOCK WASHER, ZP	2
10	1-512-010007-02	NUT, HEX 8-32 GR2 ZP	2
11	1-654-010051-06	SCREW, HEX CAP 3/8-16UNCX1-1/4	2
12	1-861-010034-11	WASHER, LKG HLCL SPR, 3/8	2
13	1-512-010007-07	NUT, HEX 3/8-16, ZP	2
14	5K332	MOUNTING CLIP	1
15	1-656-010003051	SCREW, RH HD MACH 10-24 X 3/4	2
16	1-861-010034-07	WASHER, LKG, HLCL SPR, NO 10	2
17	1-512-010007-03	NUT, HEX 10-24	2
18	25079	MOUNTING PLATE	6
19	105-0214	TY-WRAP 1/16-1-1/8 TY-524MX	6
20	165622	HARNESS-MAKEUP, ACRE METER	1

Acre Meter Assembly (AFTER 06/01/2025)

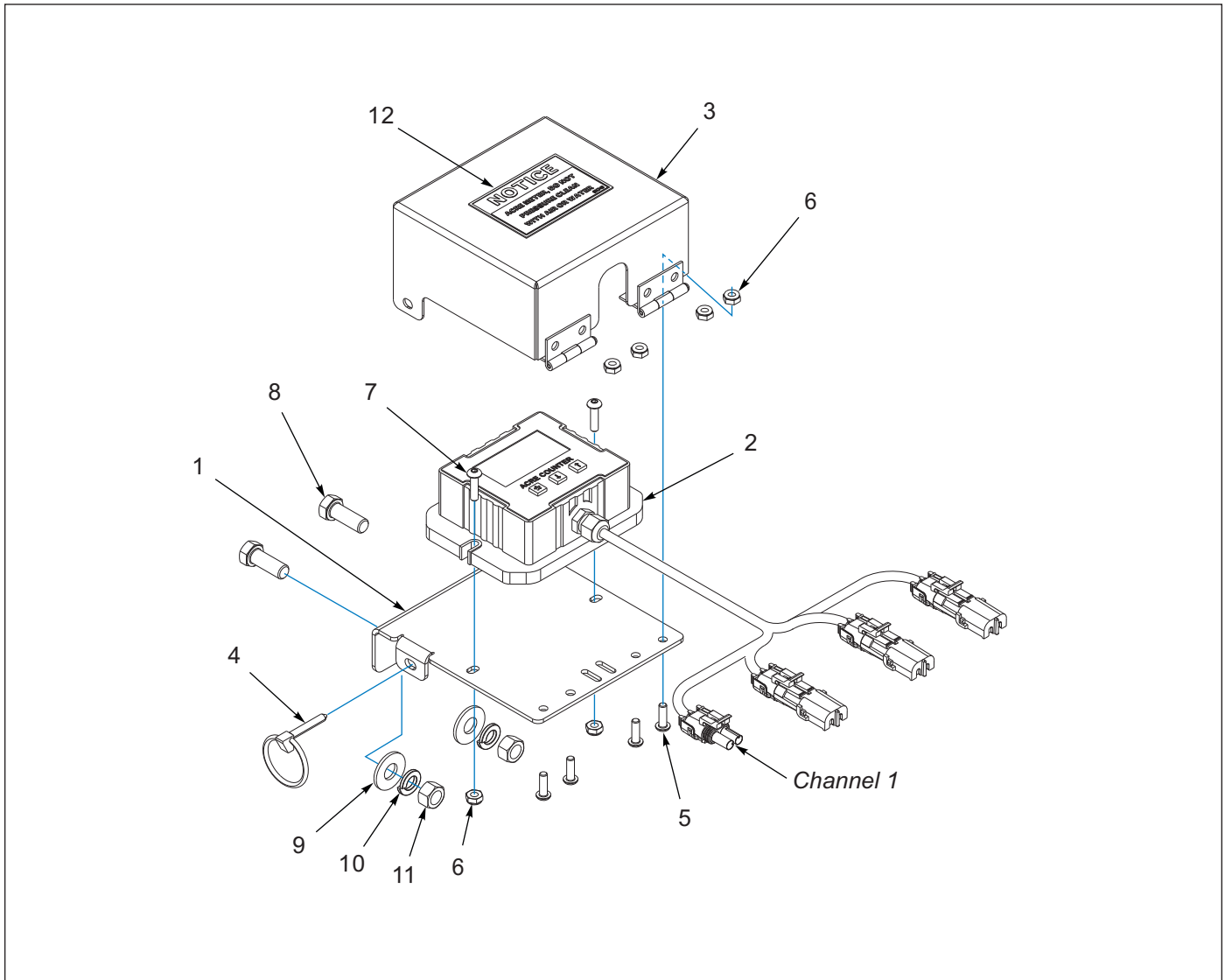


Figure 1-73: Acre Meter Assembly (AFTER 06/01/2025)

Acre Meter Assembly (AFTER 06/01/2025)

ITEM	PART NUMBER	DESCRIPTION	QTY
	253361	ACRE METER W/ENCLOSURE	1
1	253360	BRACKET, ACRE METER	1
2	254817	METER, ACRE 4 CHANNEL	1
3	253359	COVER, ACRE METER	1
4	5D129	KLIK PIN (3/16 X 1-1/4)	1
5	109394	SCREW, BHSC #10-24UNCX5/8	4
6	1-512-010003-06	NUT,HEX,SLFLKG W/NLY 10-24	6
7	109410	SCREW, BHSC #10-24UNCX3/4	2
8	1-654-010051-05	SCREW,HEX CAP 3/8-16UNCX1 GR5	2
9	1-861-010032-11	WASHER, FLAT 3/8 W ZP/CD	2
10	1-861-010034-11	WASHER, LKG HLCL SPR, 3/8	2
11	1-512-010007-07	NUT, HEX 3/8-16 GR2 ZP	2
12	9K740	DECAL, ACRE METER	1

Acre Meter Assembly (05/15/2012 TO 06/01/2025)

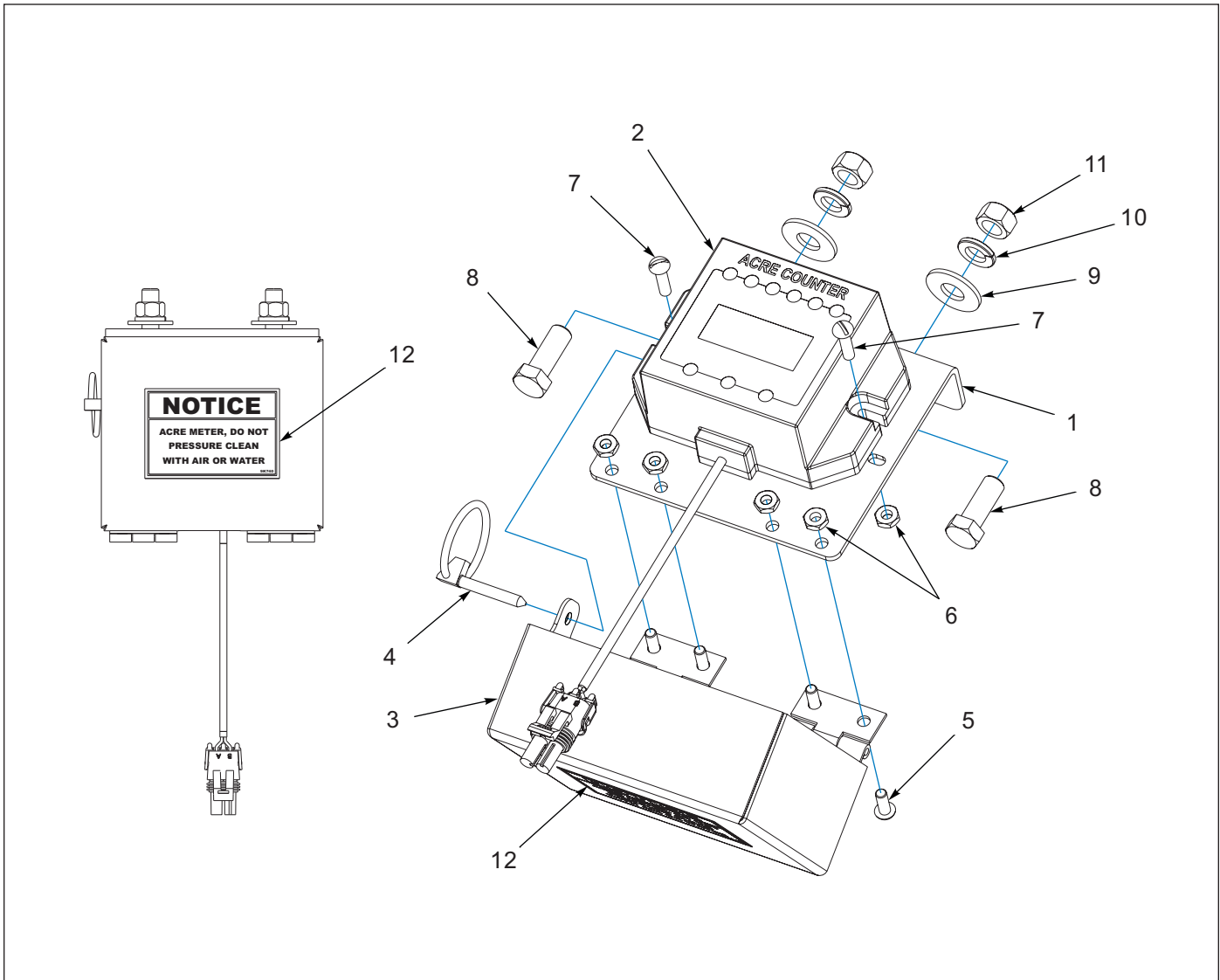


Figure 1-74: Acre Meter Assembly (05/15/2012 TO 06/01/2025)

Acre Meter Assembly (05/15/2012 TO 06/01/2025)

ITEM	PART NUMBER	DESCRIPTION	QTY
	5K310	ACRE METER ASSEMBLY (OBSOLETE)	1
1	170943	MOUNT-ACRE METER	1
2	170948	CONSOLE, ELECTRONIC ACRE (OBSOLETE)	1
3	170946	COVER-ACRE METER, WELDMENT	1
4	5D129	KILK-PIN (3/16 X 1-1/4)	1
5	1C213	STOVE BOLT #10-24X1/2 RD HD ZP	4
6	1-512-010007-03	NUT, HEX 10-24 GR2 ZP	6
7	1-656-010003051	SCREW,RH HD MACH 10-24X3/4	2
8	1-654-010051-05	SCREW,HEX CAP 3/8-16UNCX1 GR5	2
9	1-861-010032-11	WASHER, FLAT 3/8 W ZP/CD	2
10	1-861-010034-11	WASHER, LKG HLCL SPR, 3/8	2
11	1-512-010007-07	NUT, HEX 3/8-16 GR2 ZP	2
12	9K740	DECAL, ACRE METER	1

Acre Meter Assembly (BEFORE 05/15/2012)

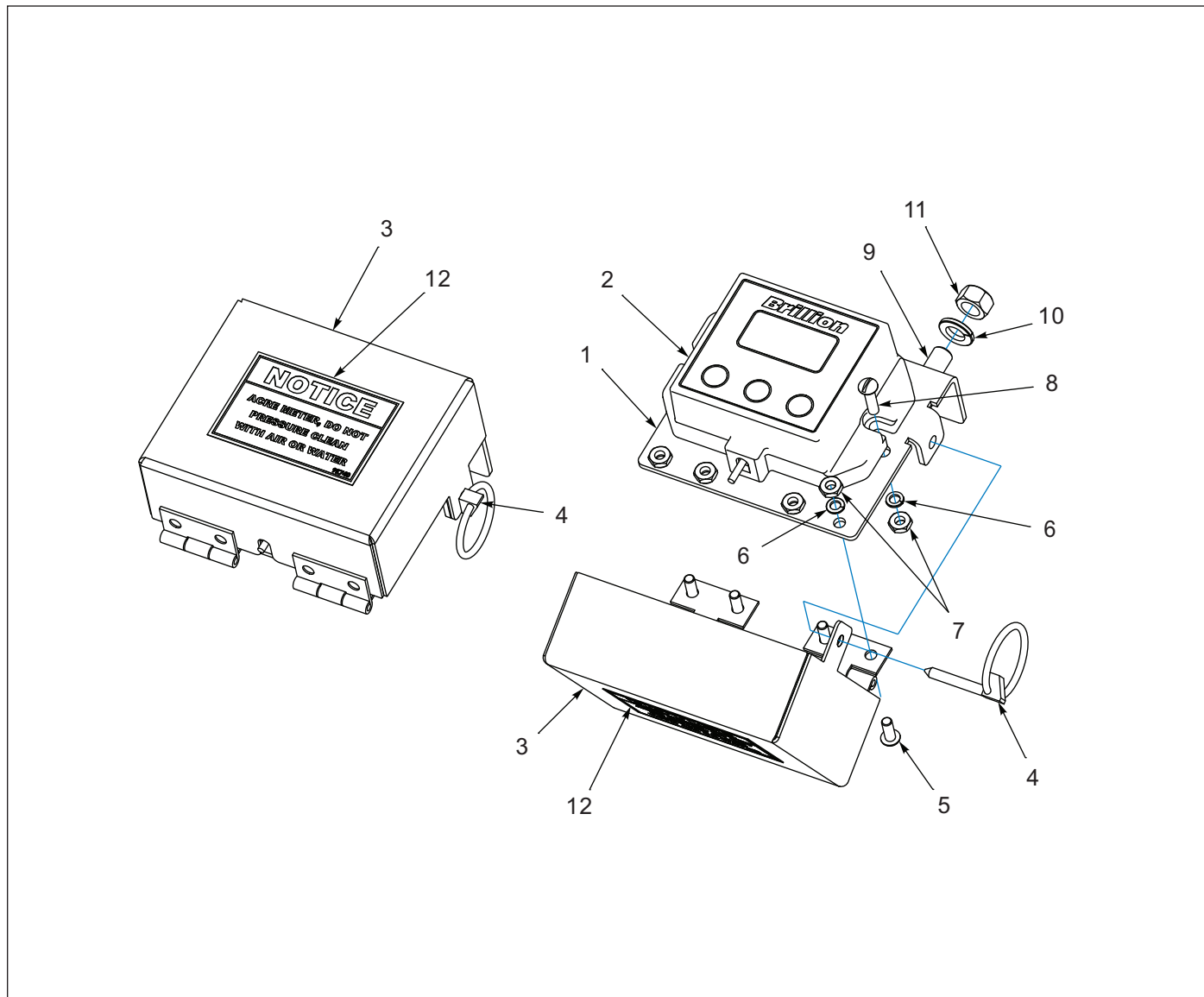


Figure 1-75: Acre Meter Assembly (BEFORE 05/15/2012)

Acre Meter Assembly (BEFORE 05/15/2012)

ITEM	PART NUMBER	DESCRIPTION	QTY
1	9K739	BRACKET, ACRE METER	1
2	153861	CONSOLE, ELECTRONIC ACRE (OBSOLETE)	1
3	9K741	COVER, ACRE METER WLD	1
4	5D129	KLIK-PIN (3/16 X 1-1/4)	1
5	1C213	STOVE BOLT, #10-24 X 1/2, RD HD, ZP	4
6	1-861-010034-07	WASHER, LKG, HLCL SPR NO 10	6
7	1-512-010007-03	NUT, HEX 10-24 GR2 ZP	6
8	1-656-010003051	SCREW,RH HD MACH 10-24X3/4	2
9	1-654-010051-05	SCREW,HEX CAP 3/8-16UNCX1 GR5	2
10	1-861-010034-11	WASHER, LKG HLCL SPR, 3/8	2
11	1-512-010007-07	NUT, HEX 3/8-16 GR2 ZP	2
12	9K740	DECAL, ACRE METER	1

Small Meter Seed Box Divider Kit - Optional

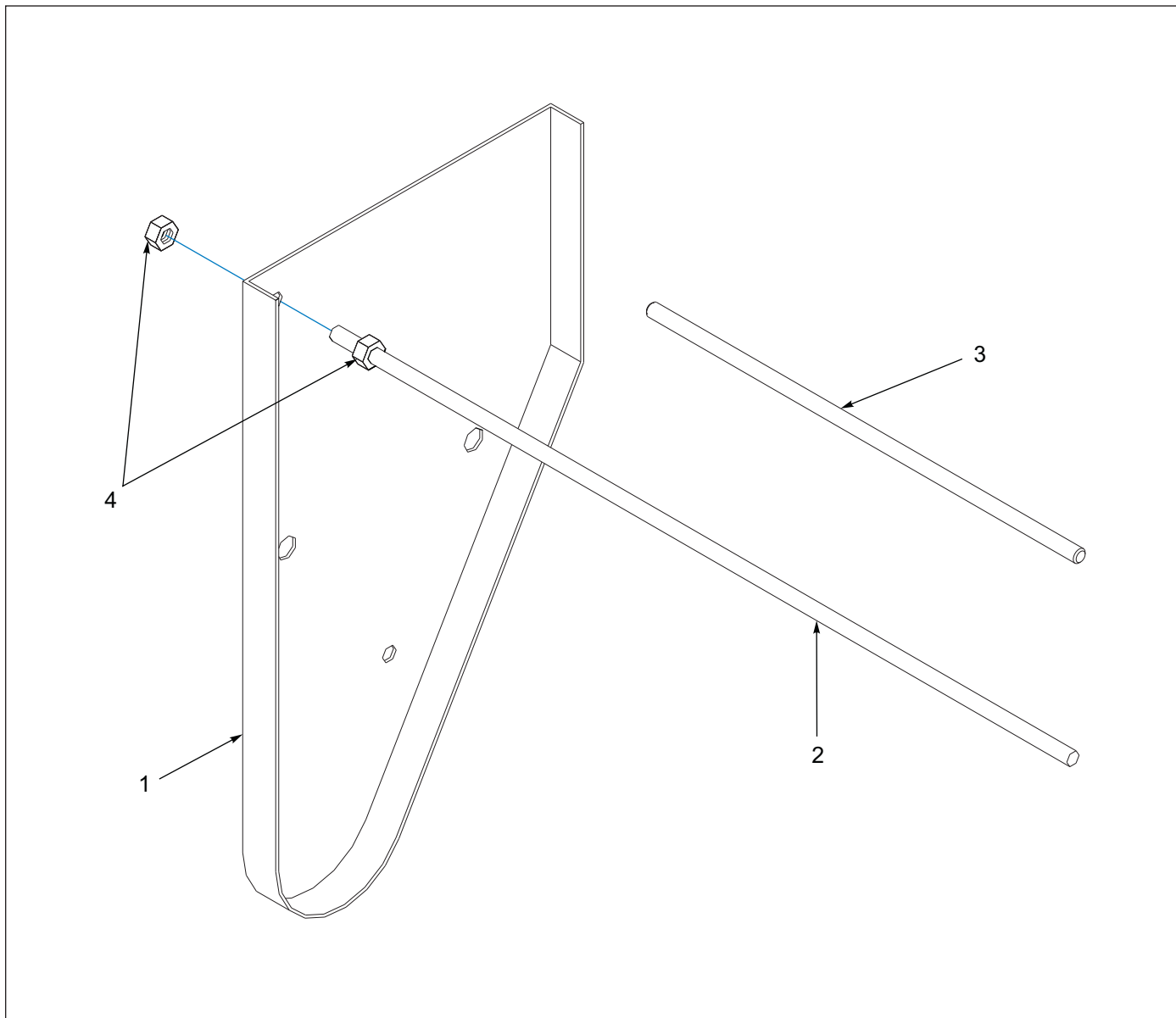


Figure 1-76: Small Meter Seed Box Divider Kit - Optional

Small Meter Seed Box Divider Kit - Optional

ITEM	PART NUMBER	DESCRIPTION	QTY		
			8'	10'	12'
		MODELS	8'	10'	12'
	1K140	8' ALFALFA BOX DIVIDER KIT	1	--	--
	9J496	10' ALFALFA BOX DIVIDER KIT	--	1	--
	2K629	12' ALFALFA BOX DIVIDER KIT	--	--	1
1	9J434	DIVIDER	6	8	6
2	1K142	ROD THREADED 1/4-20 X 17	4	--	--
2	9J620	THREADED ROD (1/4-20 NC X 18)	--	8	--
2	2K631	THREADED ROD 1/4-20UNC X 26	--	--	4
3	1K141	ROD THREADED 1/4-20 X 9	4	--	--
3	2K630	ROD THREADED 1/4-20UNC X 13	--	--	4
4	1-512-010007-05	NUT, HEX 1/4-20	40	48	40

Agitator Seed Box Divider Kit - Optional

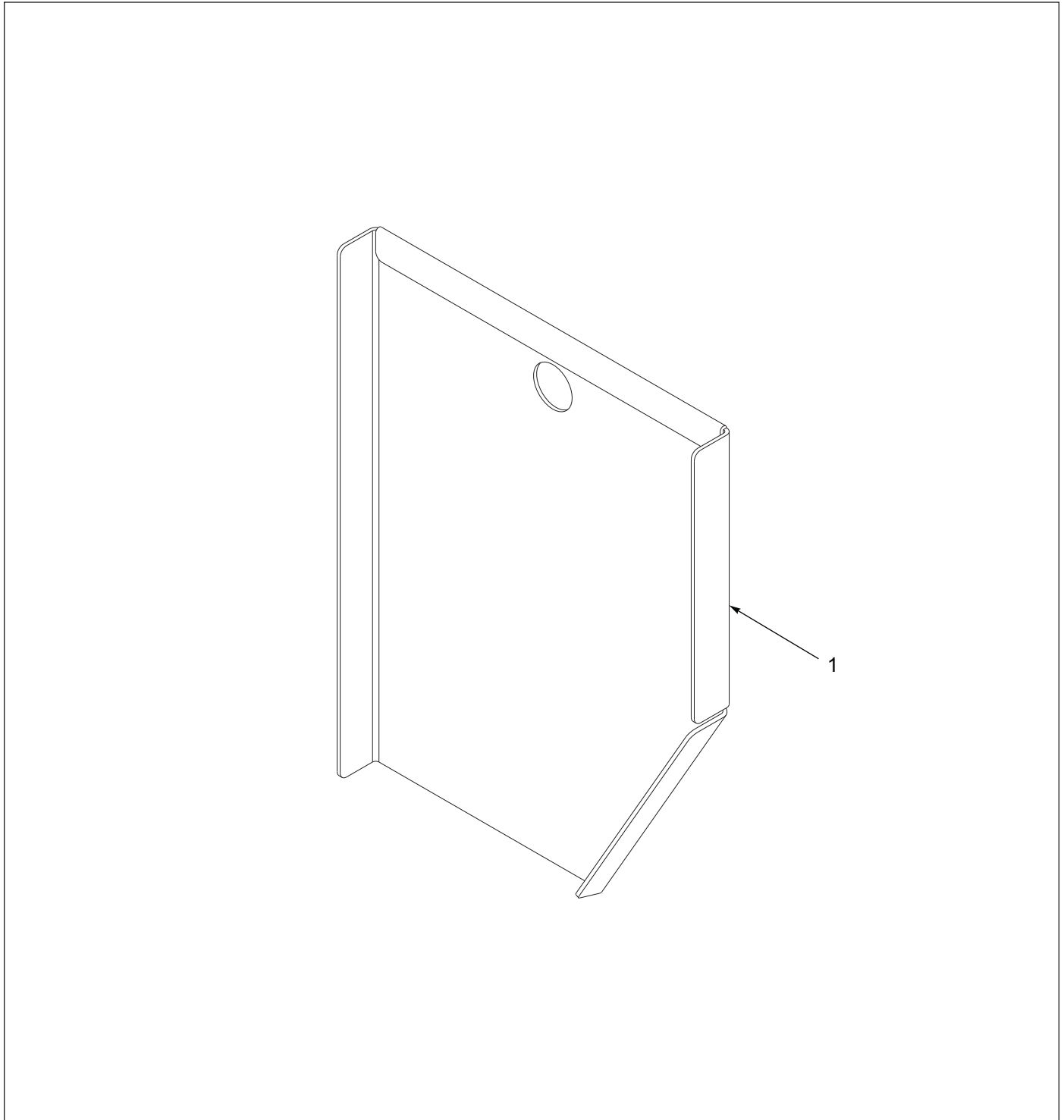


Figure 1-77: Agitator Seed Box Divider Kit - Optional

Agitator Seed Box Divider Kit - Optional

ITEM	PART NUMBER	DESCRIPTION	QTY
	219138	KIT, BROME BOX 6 DIVIDERS (8FT)	--
	219139	KIT, BROME BOX 10 DIVIDERS (10FT AND 12FT)	--
1	219111	DIVIDER, BROME BOX	AR

Hydraulic Cylinder, 2-1/2 x 6 - Lion (AFT. 01/15/2008)

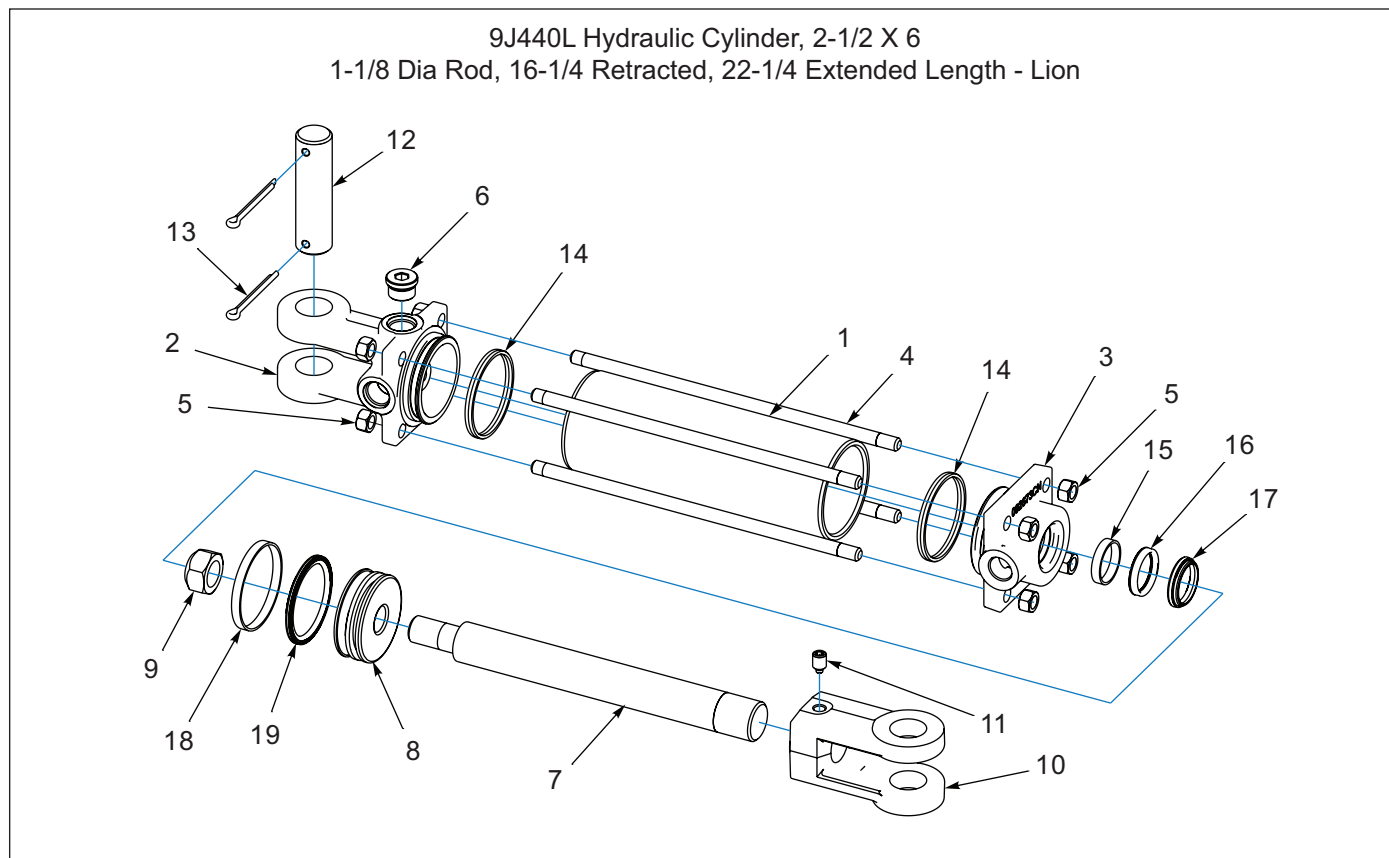


Figure 1-78: Hydraulic Cylinder, 2-1/2 x 6 - Lion (AFT. 01/15/2008)

Hydraulic Cylinder, 2-1/2 x 6 - Lion (AFT. 01/15/2008)

ITEM	PART NUMBER	DESCRIPTION	QTY
	9J440	HYD CYLINDER - 2 1/2 X 6	1
1	-----	TUBE	1
2	-----	CLEVIS CAP	1
3	-----	ROD CAP	1
4	-----	TIE ROD	4
5	1C277	NUT, HEX 3/8-16 ZP	8
6	-----	PLUG, SOCKET HEAD 3/4-16	1
7	-----	ROD	1
8	-----	PISTON	1
9	1P805	NUT, HEX SLFLKG 3/4-16	1
10	2P735	CLEVIS, 1"PIN X 1.125-12 X 2.2 (INCLUDES ITEM 11)	1
11	1P443	SET SCREW, 3/8-16 X 1/2 NYL	1
12	5J650	CLEVIS PIN (1.0 X 3.625 H2)	1
13	6C468	PIN,COTTER 3/16 X 2IN LG	2
14	-----	SEAL DUAL 2.50	2
15	-----	WEAR RING 1.25-1.13-0.250	1
16	-----	SEAL ZURCON U-CUP RU9 1.13	1
17	-----	SEAL WIPER 1.13 WNUC	1
18	-----	WEAR RING 2.50-2.38-0.250	1
19	-----	SEAL ZURCON WYNSEAL 2.50"	1
20	1P742	LION CYLINDER SEAL KIT (2.5") (INCLUDES ITEMS 14-19)	1

Hydraulic Cylinder, 2-1/2 x 6 - Hydraulic Gear (BEF. 01/14/2008)

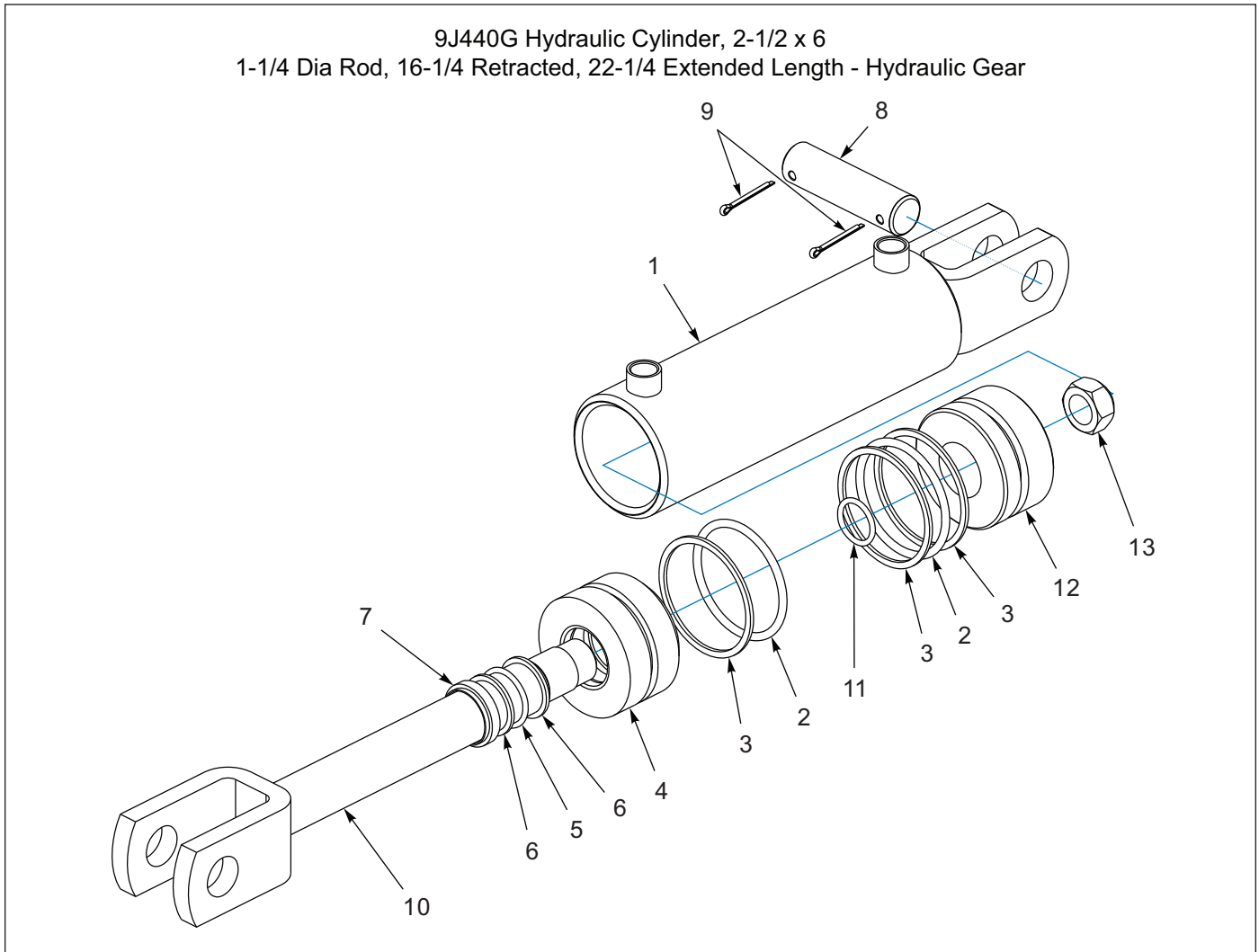


Figure 1-79: Hydraulic Cylinder, 2-1/2 x 6 - Hydraulic Gear (BEF. 01/14/2008)

Hydraulic Cylinder, 2-1/2 x 6 - Hydraulic Gear (BEF. 01/14/2008)

ITEM	PART NUMBER	DESCRIPTON	QTY
	9J440	HYD CYLINDER - 2 1/2 X 6	1
1	9J655	TUBE ASSY	1
2	-----	O-RING	2
3	-----	BACK-UP RING	2
4	6J544	PACKING GLAND	1
5	-----	O-RING	1
6	-----	BACK UP RING	2
7	-----	WIPER	1
8	5J650	CLEVIS PIN	1
9	4C856	HAIR PIN COTTER (3/16 X 2")	2
10	9J656	ROD ASSY	1
11	-----	SEAL	1
12	6J546	PISTON	1
13	6D918	LOCK NUT (3/4-16 NF)	1
14	6J542	SEAL KIT (INCLUDES ITEMS 2, 3, 5-7, AND 11)	1

Weather Pack Connectors

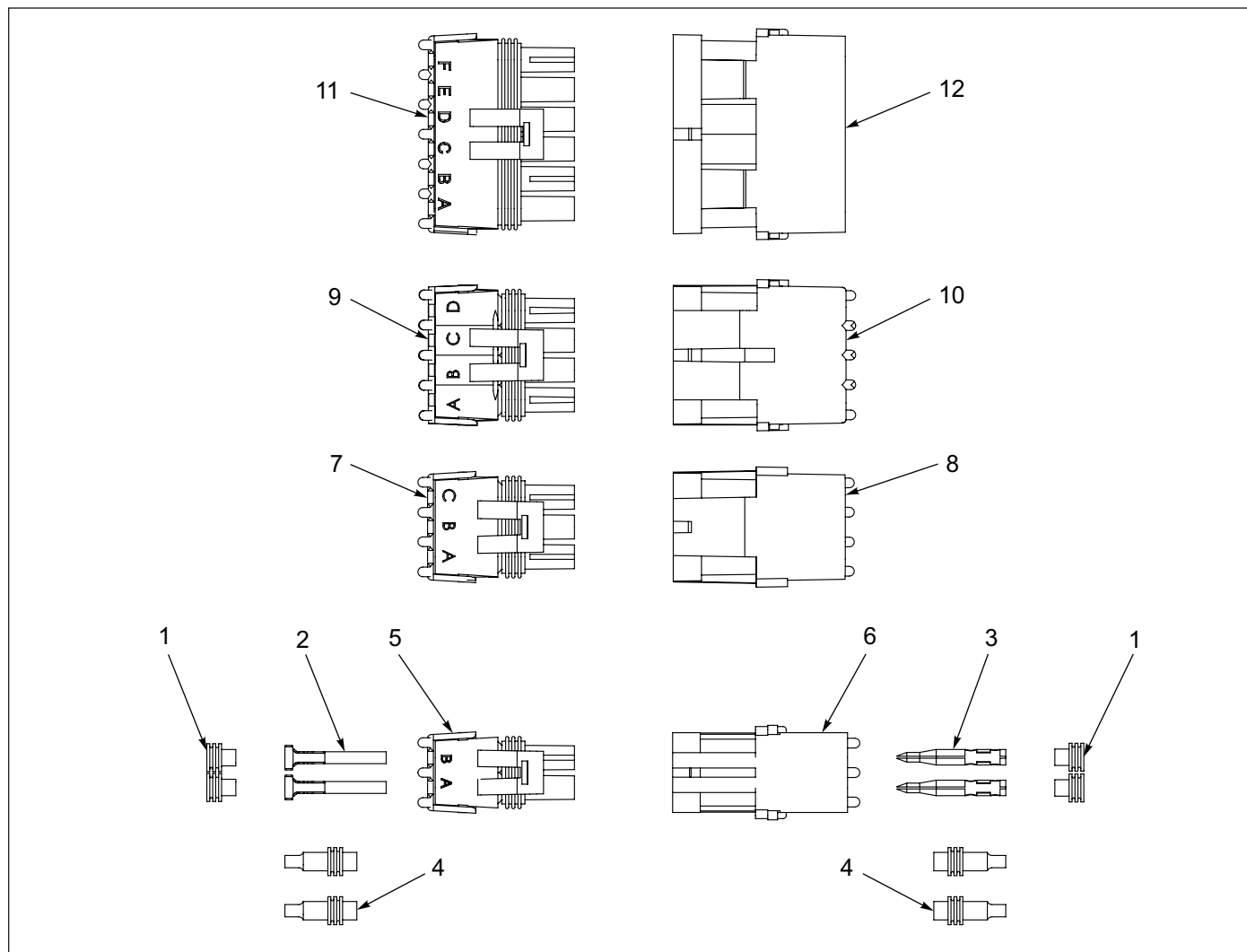


Figure 1-80: Weather Pack Connectors

Weather Pack Connectors

ITEM	PART NUMBER	DESCRIPTION	DELPHI P/N
1	154851	SEAL, CABLE WEATHER PACK	12015323
2	139974	TERMINAL, WP TOWER 16-14AWG	12124580
2	194840	TERMINAL, WP TOWER 20-18AWG	12089188
3	137654	TERMINAL, WP SHROUD 12-10AWG	12124587
3	4000671	TERMINAL, WP SHROUD 16-14AWG	12124582
3	122405	TERMINAL, WP SHROUD 20-18AWG	12089040
4	151273	PLUG SEAL, CABLE CAVITY	12010300
5	154852	TOWER, 2-PIN WEATHER PACK	12015792
6	122404	SHROUD, 2 PIN WEATHER PACK	12010973
7	4001294	TOWER, 3-PIN WEATHER PACK	12015793
8	194841	SHROUD, 3-PIN WEATHER PACK	12010717
9	166298	TOWER, 4-PIN WEATHER PACK	12015797
10	166297	SHROUD, 4-PIN WEATHER PACK	12010974
11	194904	TOWER, 6-PIN WEATHER PACK	12015799
12	194903	SHROUD, 6-PIN WEATHER PACK	12010975

AMP Connectors

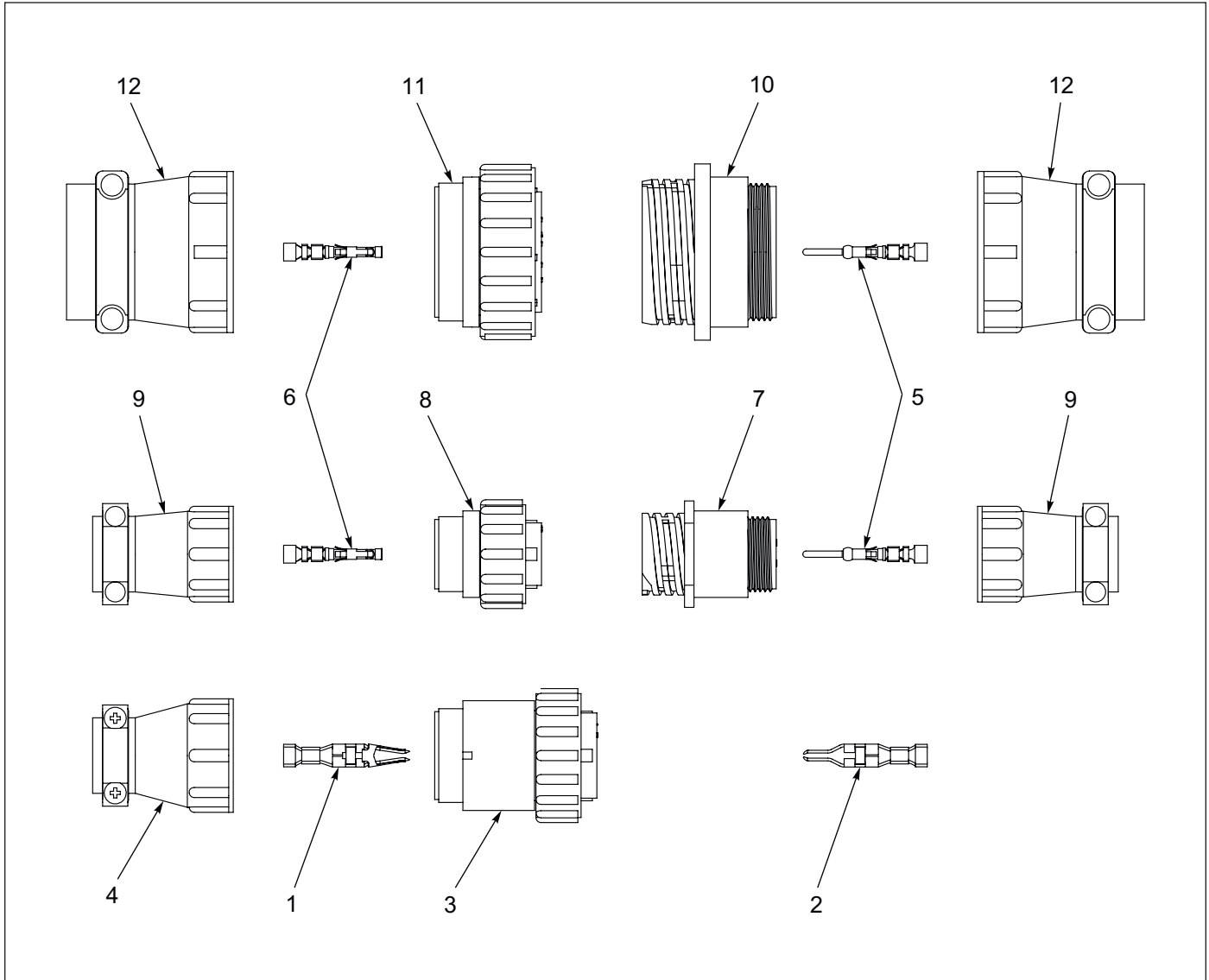



Figure 1-81: AMP Connectors

AMP Connectors

ITEM	PART NUMBER	DESCRIPTION	TE CONNECTIVITY PART NUMBER
1	194102	TERMINAL, POWER PLUG 16-12AWG	2-66740-1
2	194103	TERMINAL, POWER RECPT 16-12AWG	66261-5
3	194104	POWER PLUG ASM, 3-PIN, SIZE 17	206037-2
4	194105	BACKSHELL ASM, SIZE 17	206070-8
5	194745	TERMINAL, PIN 18-14AWG	1-66359-9
6	194744	TERMINAL, SOCKET 18-14AWG	1-66358-9
7	194106	RECEPTACLE, 9-PIN, SIZE 13	206705-2
8	194107	PLUG ASM, 9-PIN, SIZE 13	206708-1
9	194108	BACKSHELL ASM, SIZE 13	206966-7
10	194109	RECEPTACLE, 24-PIN, SIZE 23	206838-1
11	194110	PLUG ASM, 24-PIN, SIZE 23	206837-1
12	194111	BACKSHELL ASM, SIZE 23	206512-5



ITEM 12 - 8J309

ITEM 13

SS8


SS10

SS12

4K402

4K403

4K404



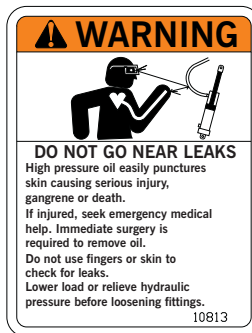
ITEM 14 - 4K401



ITEM 14 - 218260



ITEM 15
9J301



ITEM 17 - 3K706



ITEM 18
9J302



ITEM 16
70260977 (AFT. 08/2025)
2P151 (BEF. 08/2025)



ITEM 22
9J429



ITEM 19 - 1-573-010006



ITEM 21 - 235621



ITEM 23 - 9K740



ITEM 24 - 192069

Figure 1-83: Decals - Seeder Models (2 of 2)

Decals - Seeder Models

ITEM	PART NUMBER	DESCRIPTON	QTY		
			8'	10'	12'
		MODELS			
1	4K036	DECAL - BRILLION (2 3/4 X 20) (PER MODEL)	REF	REF	REF
2	170510	DECAL, BRILLION LANDOLL (3-1/2 X 17-3/4") (AFTER 08/01/2025)	4	--	--
2	4K037	DECAL - BRILLION (2 3/4 X 32) (BEFORE 08/01/2025)	2	1	1
3	170509	DECAL, BRILLION LANDOLL 40" (AFTER 08/01/2025)	--	2	2
3	4K039	DECAL - BRILLION (3 1/2 X 40) (BEFORE 08/01/2025)	--	1	1
4	528934	REFLECTOR - YELLOW	2	2	2
5	528933	DECAL - RED REFLECTIVE	2	2	3
6	528938	STRIPE ORANGE	2	2	4
7	2K123	DECAL - 'WARNING'	4	4	4
8	9J424	DECAL-SS W/AGIT BOX SEED CHART	1	1	1
9	1K052	DECAL-SS8 W/O AGIT SEED CHART	1	--	--
10	9J432	DECAL-SS10 W/O AGIT SEED CHART	--	1	--
11	2K096	DECAL-SS12 W/O AGIT SEED CHART	--	--	1
12	8J309	DECAL - 'CAUTION'	1	1	1
13	4K402	DECAL - 'SS8 (BROME BOX)' (BEFORE 08/01/2025)	1	--	--
13	4K403	DECAL - 'SS10 (BROME BOX)' (BEFORE 08/01/2025)	--	1	--
13	4K404	DECAL - 'SS12 (BROME BOX)' (BEFORE 08/01/2025)	--	--	1
14	218260	DECAL, SURE STAND (AFTER 08/01/2025)	2		2
14	4K401	DECAL-'SURE-STAND (BROME BOX)' (BEFORE 08/01/2025)	1	1	1
15	9J301	DECAL - 'PARKING PIN' (3-PT, SDP MODELS) (SEE PAGE 1-6)	REF	REF	REF
16	70260977	SMV EMBLEM (AFTER 08/01/2025)	1	1	1
16	2P151	SMV W/BRACKET (BEFORE 08/01/2025)	1	1	1
17	3K706	DECAL-WARNING HYDRAULIC LEAKS (DRAWBAR ONLY) (SEE PAGE 1-127)	1	1	1
18	9J302	DECAL CAUTION PARK PIN (3-PT ONLY) (SEE PAGE 1-127)	1	1	1
19	1-573-010006	PLACARD, NAME	1	1	1
20	107-0814	RIVET 1/8X1/8 A LUM POP (HARDWARE FOR ITEM 19)	2	2	2
21	235621	DECAL, QR CODE AG SEEDER	1	1	1
22	9J429	DECAL - AMBER (SHAFTS) (CUT EACH INTO 2PCS)	2	2	2
23	9K740	DECAL, ACRE METER (ACRE METER) (SEE PAGE 1-114)	1	1	1
24	192069	DECAL, DO NOT PRESSURE CLEAN (ELECTRIC CLUTCH) (SEE PAGE 1-42)	1	1	1

Decal Placement - Hitch

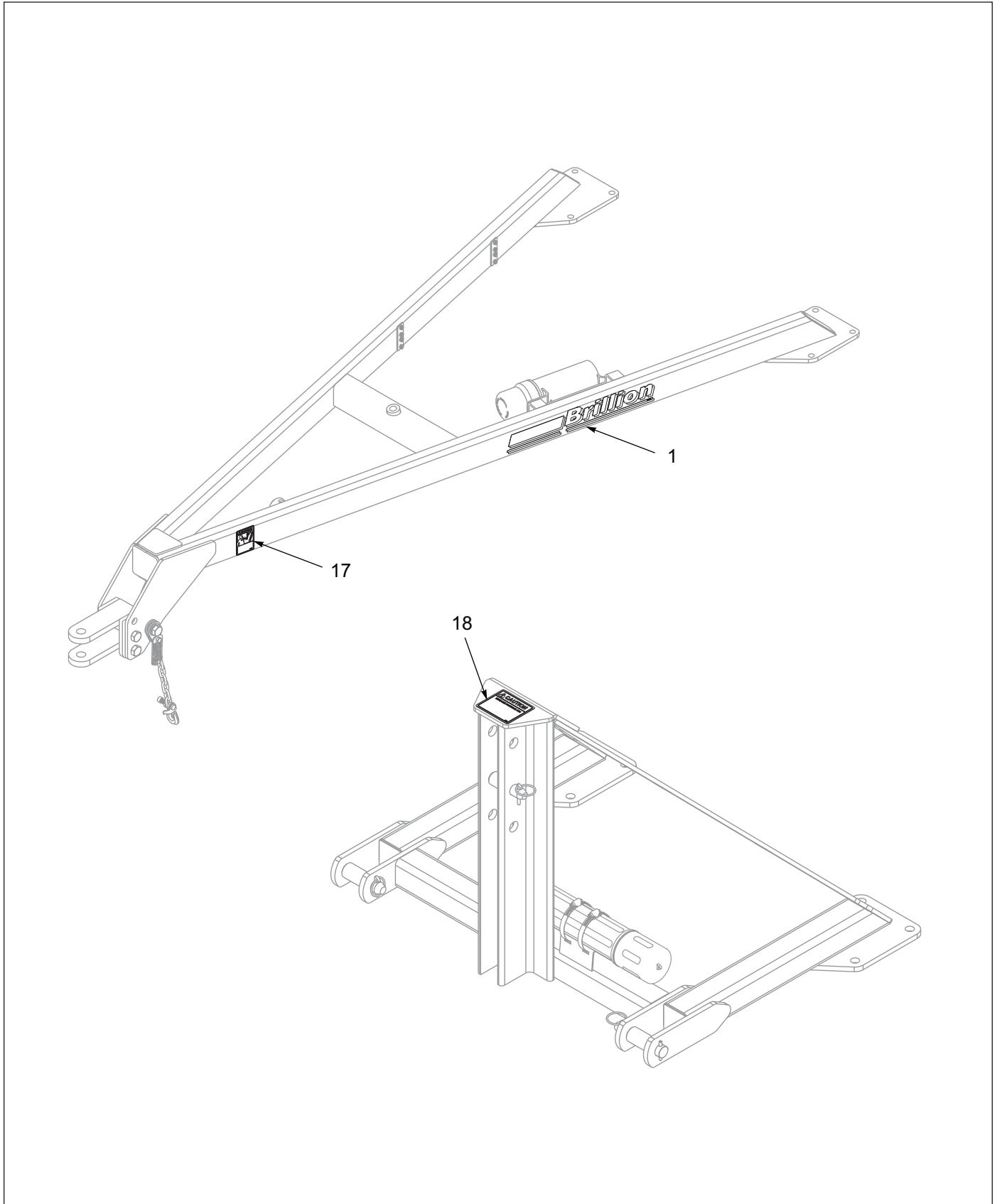


Figure 1-84: Decal Placement - Hitch

Decal Placement - 8FT Model

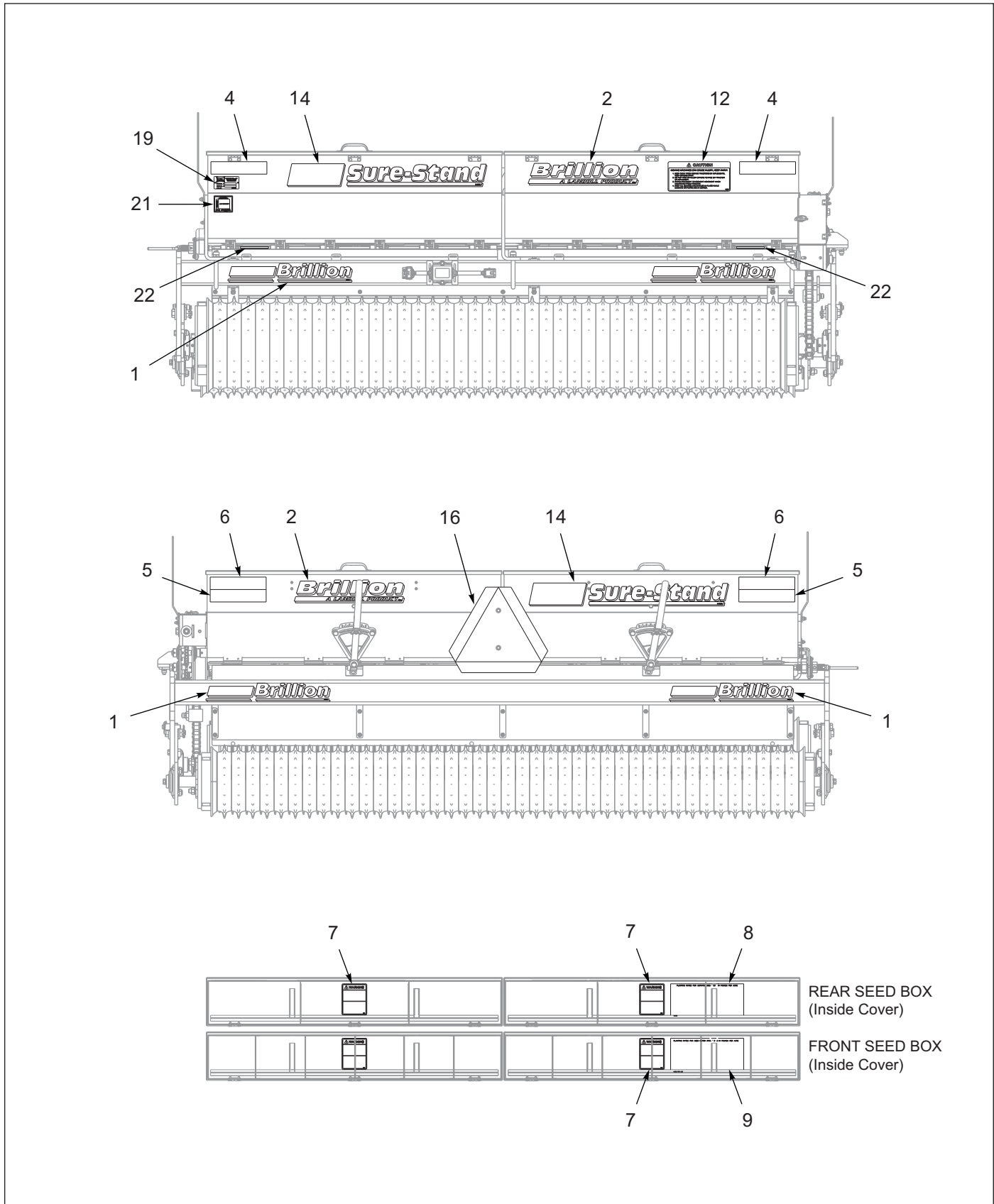


Figure 1-85: Decal Placement - 8FT Model (AFTER 08/01/2025)

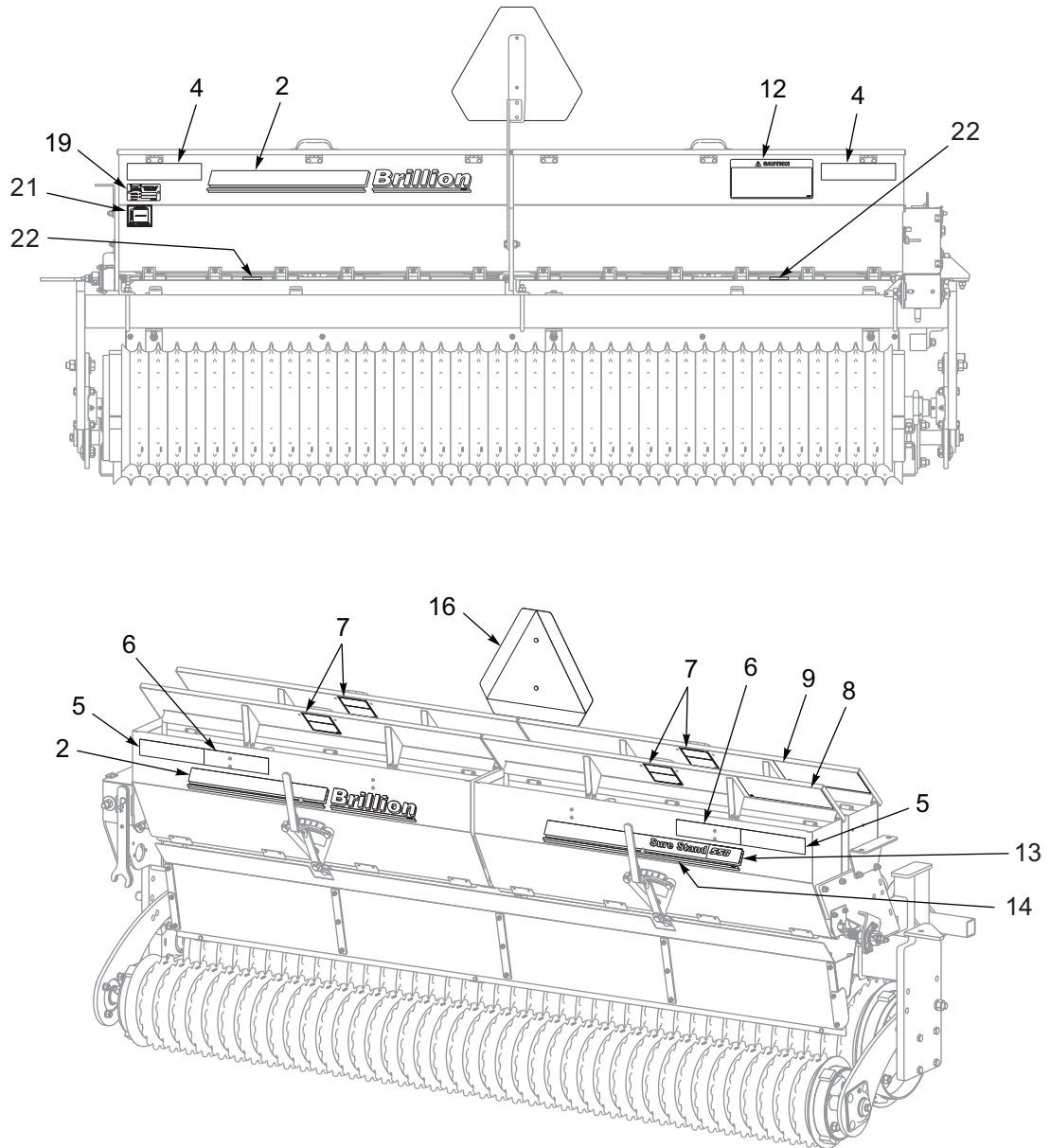


Figure 1-86: Decal Placement - 8FT Model (BEFORE 08/01/2025)

Decal Placement - 10FT Model

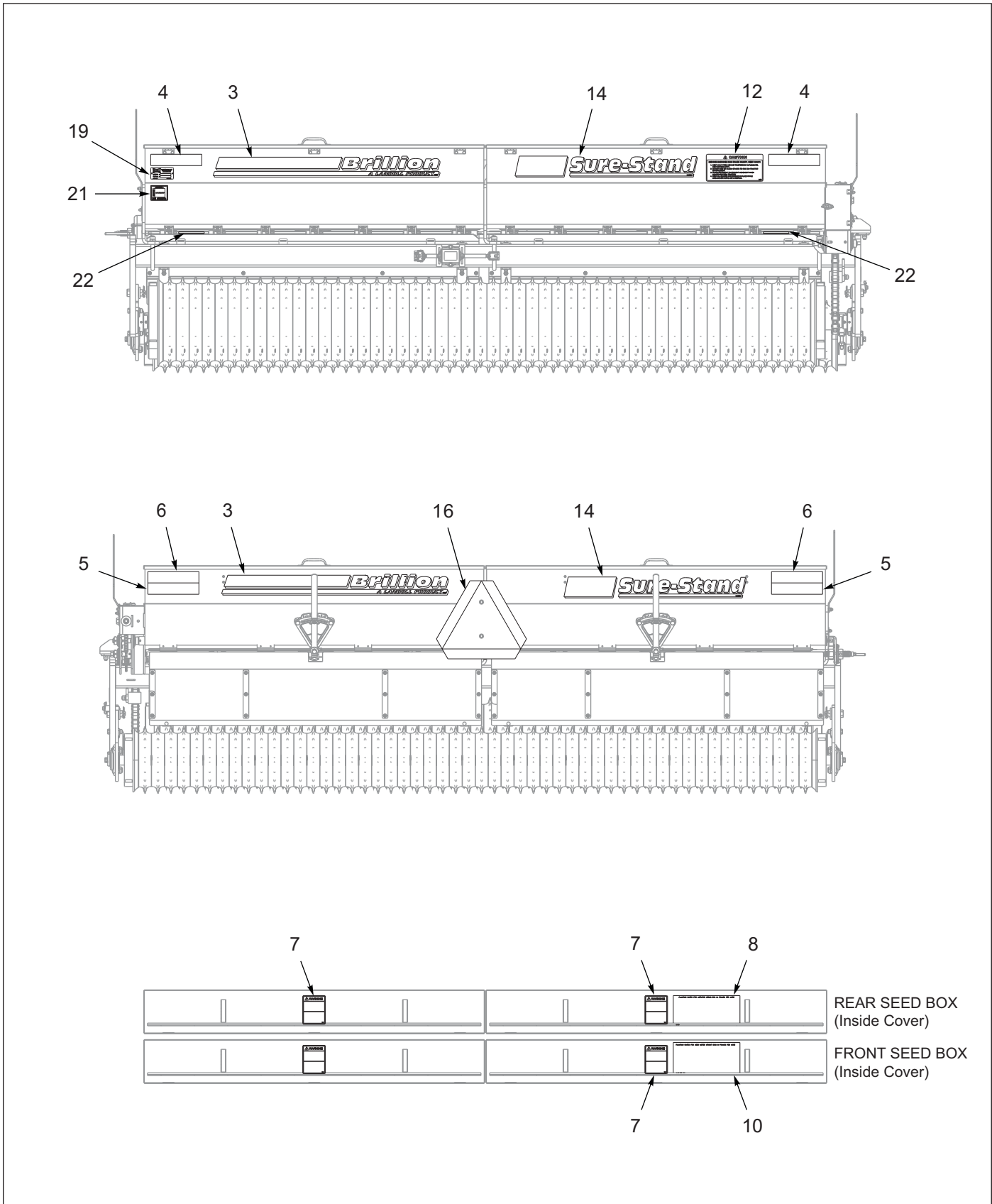


Figure 1-87: Decal Placement - 10FT Model (AFTER 08/2025)

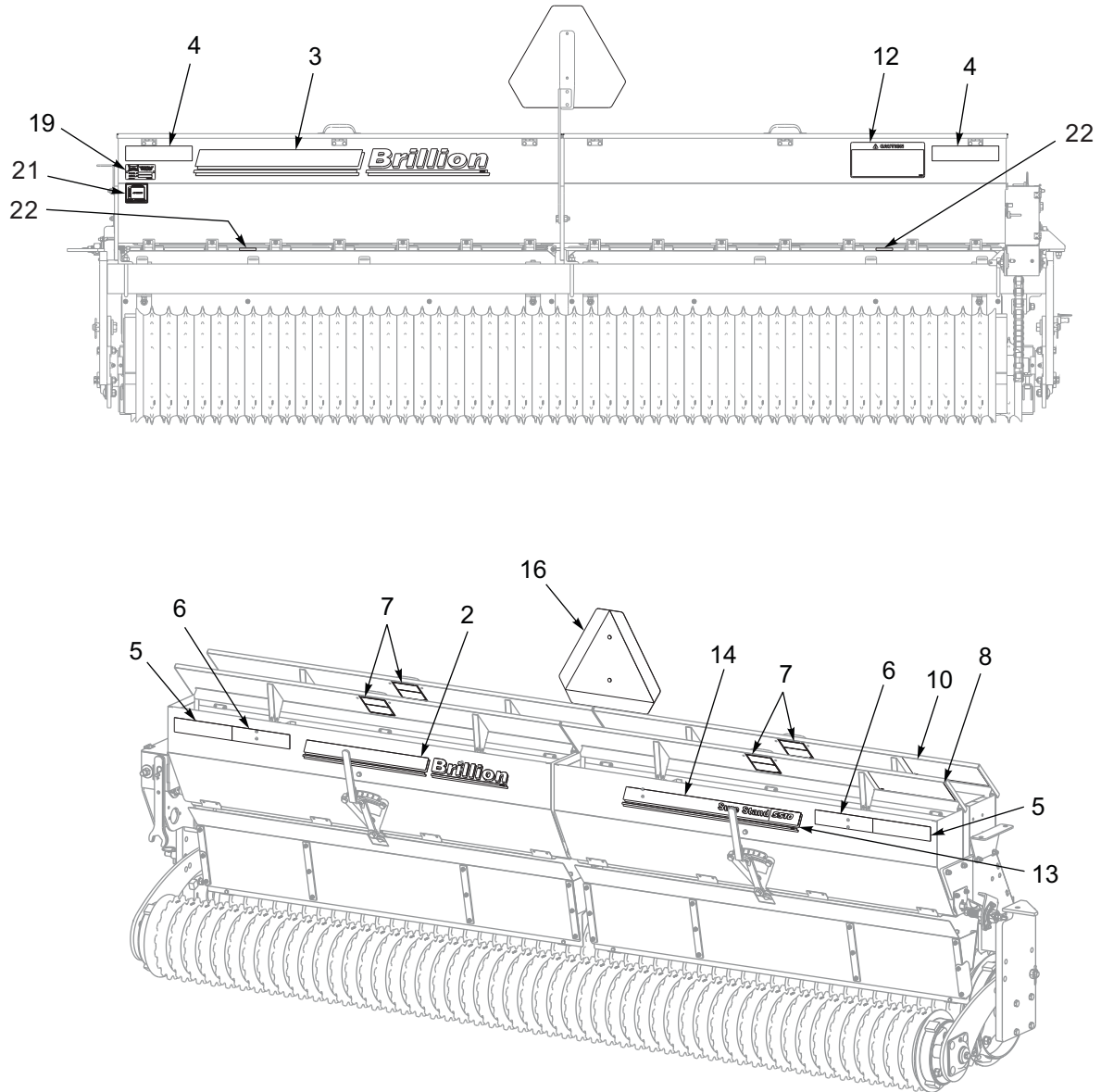


Figure 1-88: Decal Placement - 10FT Model (BEFORE 08/2025)

Decal Placement - 12FT Model

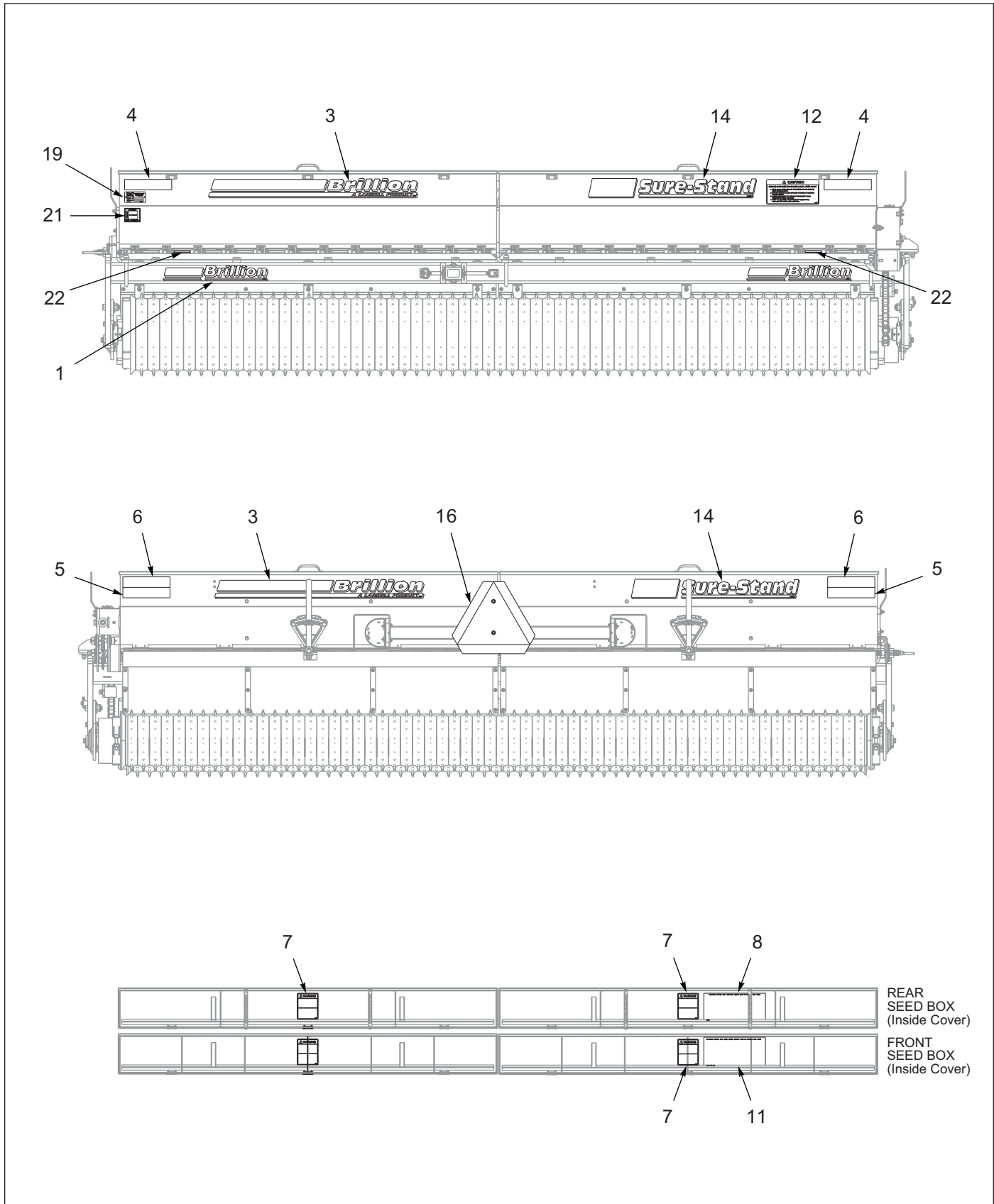


Figure 1-89: Decal Placement - 12FT Model (AFTER 08/2025)

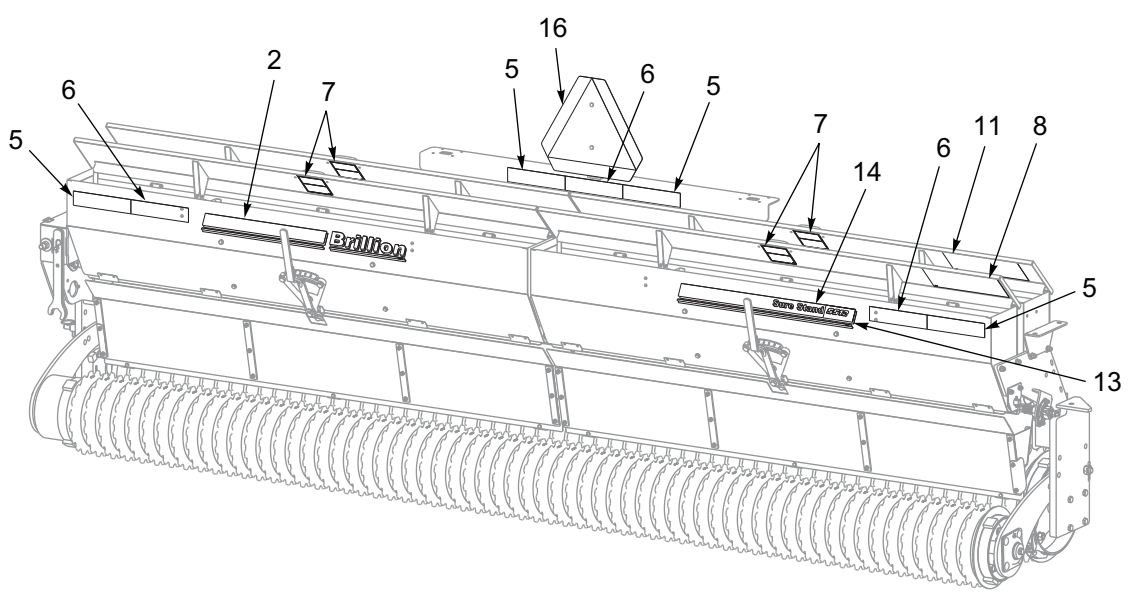
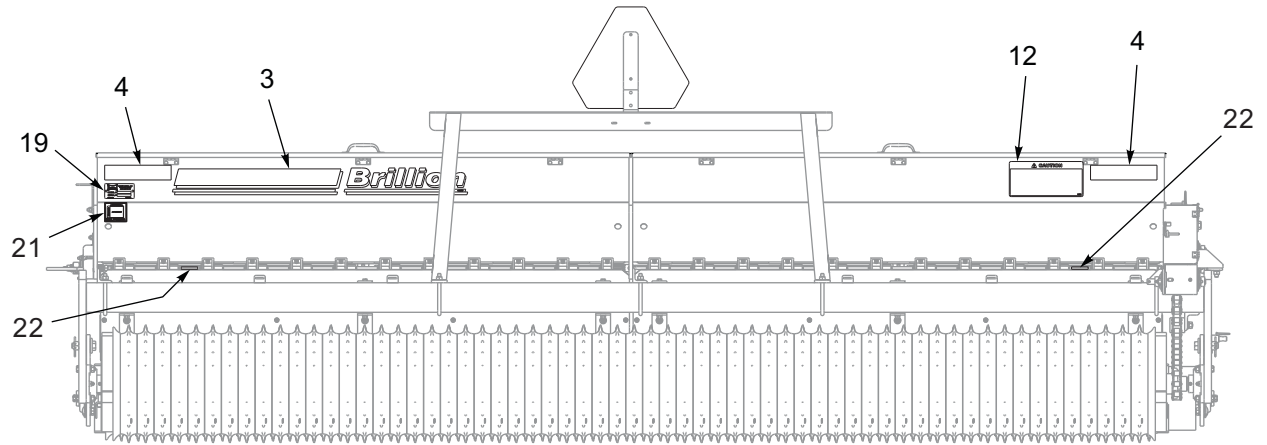


Figure 1-90: Decal Placement - 12FT Model (BEFORE 08/2025)

Decals - SD / SDP Models

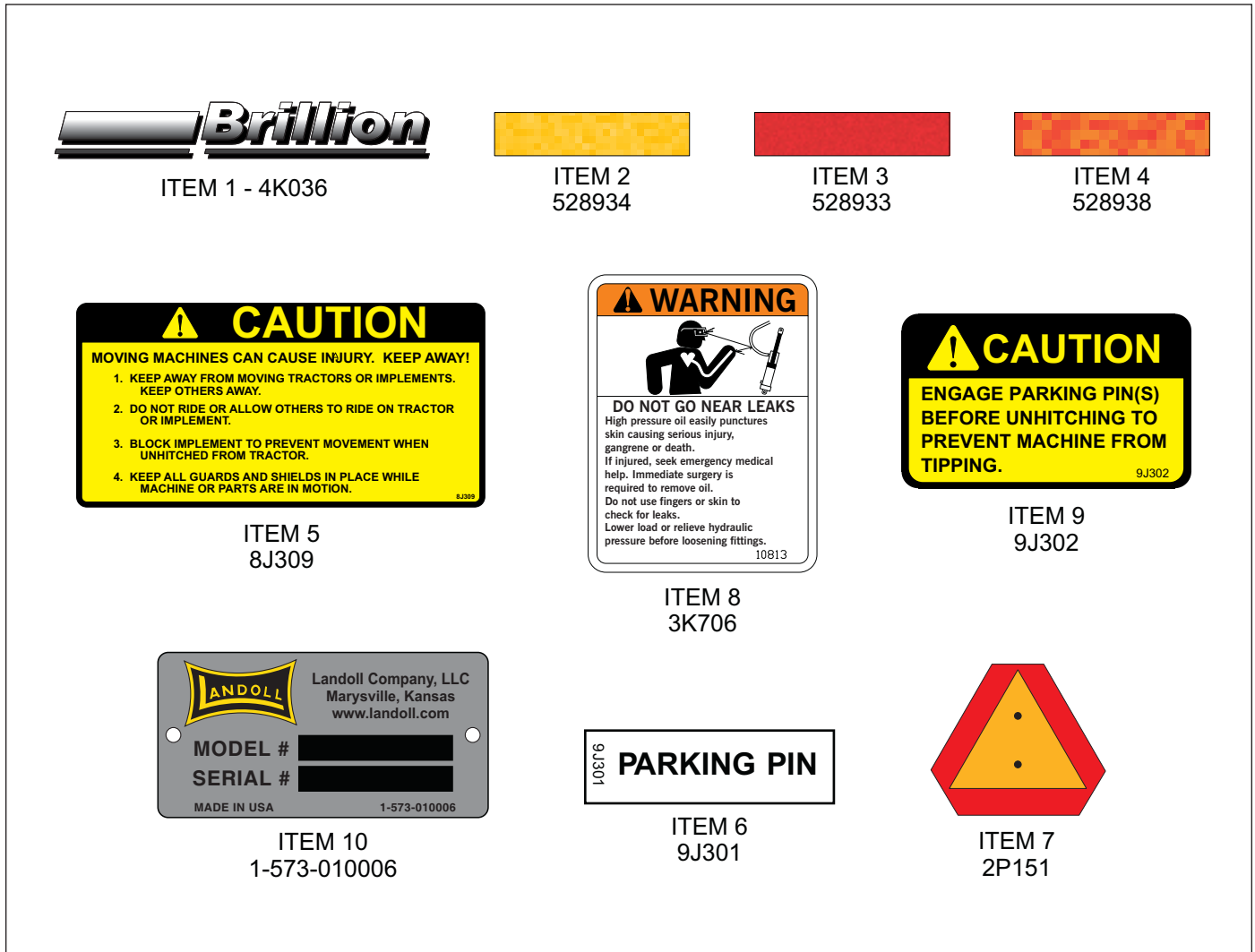


Figure 1-91: Decals - SD / SDP Models

Decals - SD / SDP Models

ITEM	PART NUMBER	DESCRIPTON	QTY	
			SD	SDP
		MODELS		
1	4K036	DECAL - BRILLION (2 3/4 X 20)	2	2
2	528934	REFLECTOR - YELLOW	2	2
3	528933	DECAL - RED REFLECTIVE (12FT MODEL BEFORE 08/2025, QTY=4)	2	2
4	528938	STRIPE ORANGE (12FT MODEL BEFORE 08/2025, QTY=4)	2	2
5	8J309	DECAL - 'CAUTION'	1	1
6	9J301	DECAL - 'PARKING PIN'	--	1
7	2P151	SMV W/BRACKET	1	1
8	3K706	DECAL-WARNING HYDRAULIC LEAK (SEE PAGE 1-127)	1	--
9	9J302	DECAL CAUTION PARK PIN (SEE PAGE 1-127)	--	1
10	1-573-010006	PLACARD, NAME	1	1
11	51365-4	RIVET BLIND DOME AL 1/8X.515 (HARDWARE FOR ITEM 10)	2	2

Decal Placement - SD Model (AFTER 08/2025)

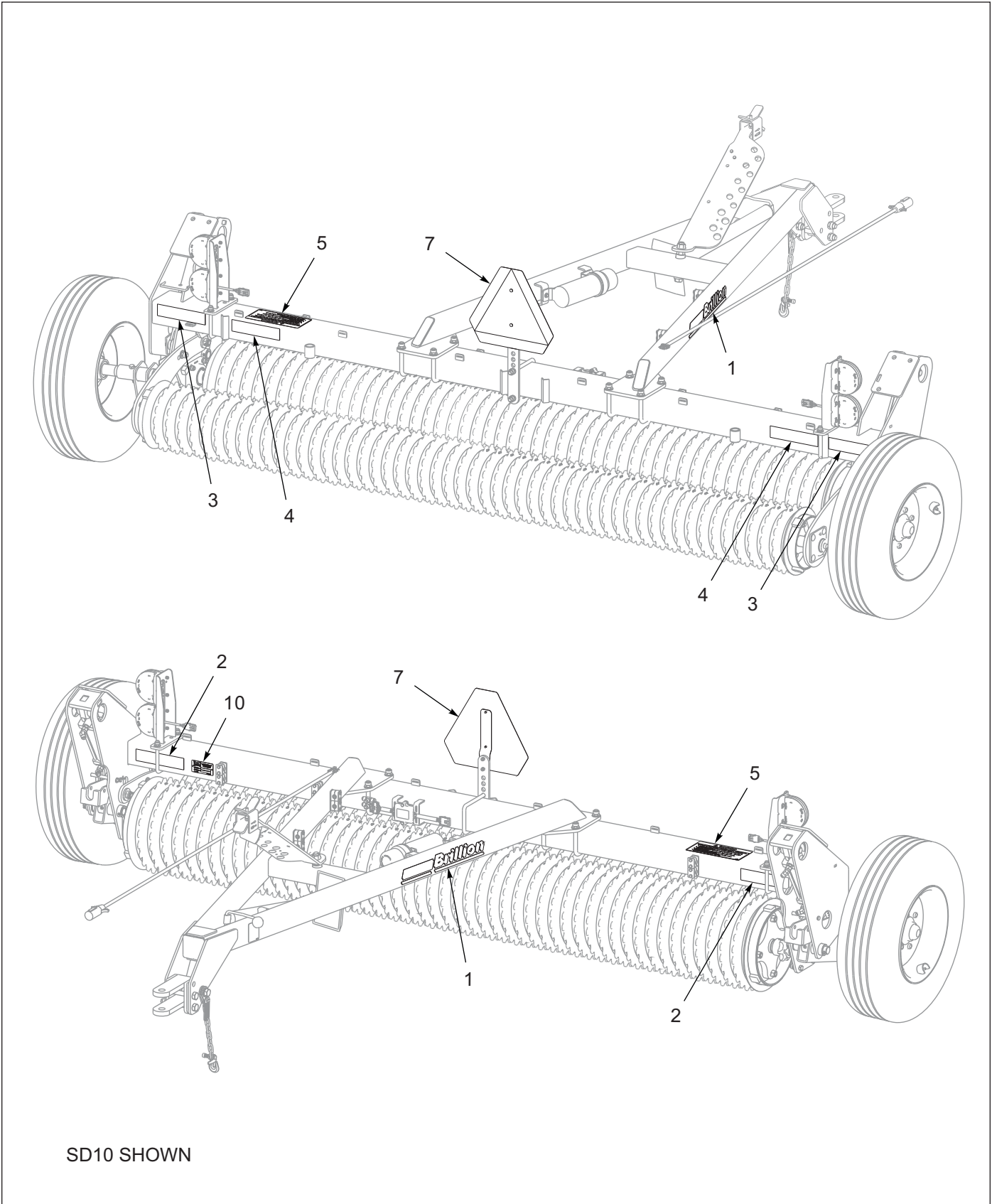
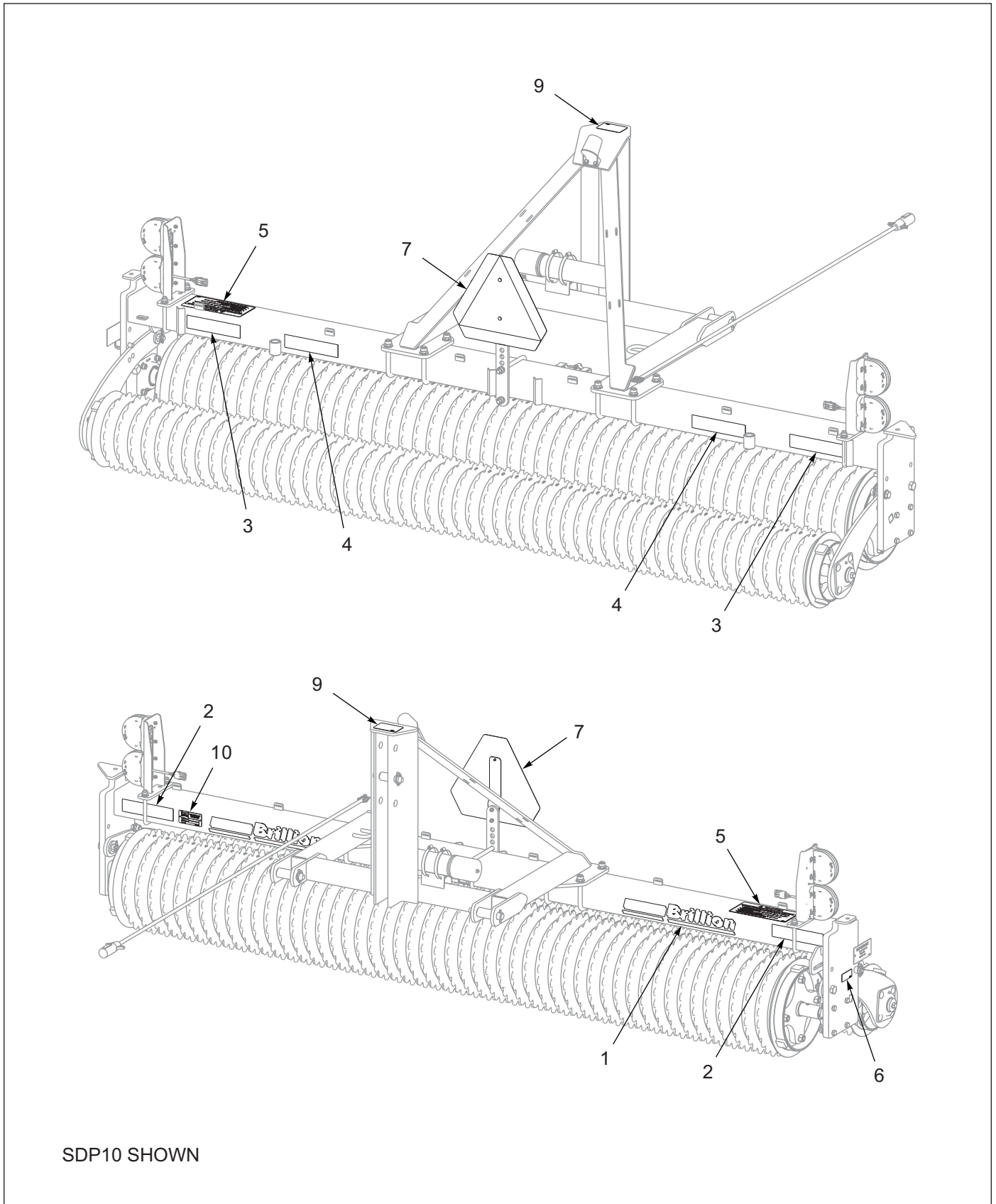


Figure 1-92: Decal Placement - SD 8FT, 10FT, 12FT (AFTER 08/2025)

Decal Placement - SDP Model (AFTER 08/2025)



SDP10 SHOWN

Figure 1-93: Decal Placement - SDP 8FT, 10FT, 12FT (AFTER 08/2025)

Decal Placement - SD Model (BEFORE 08/2025)

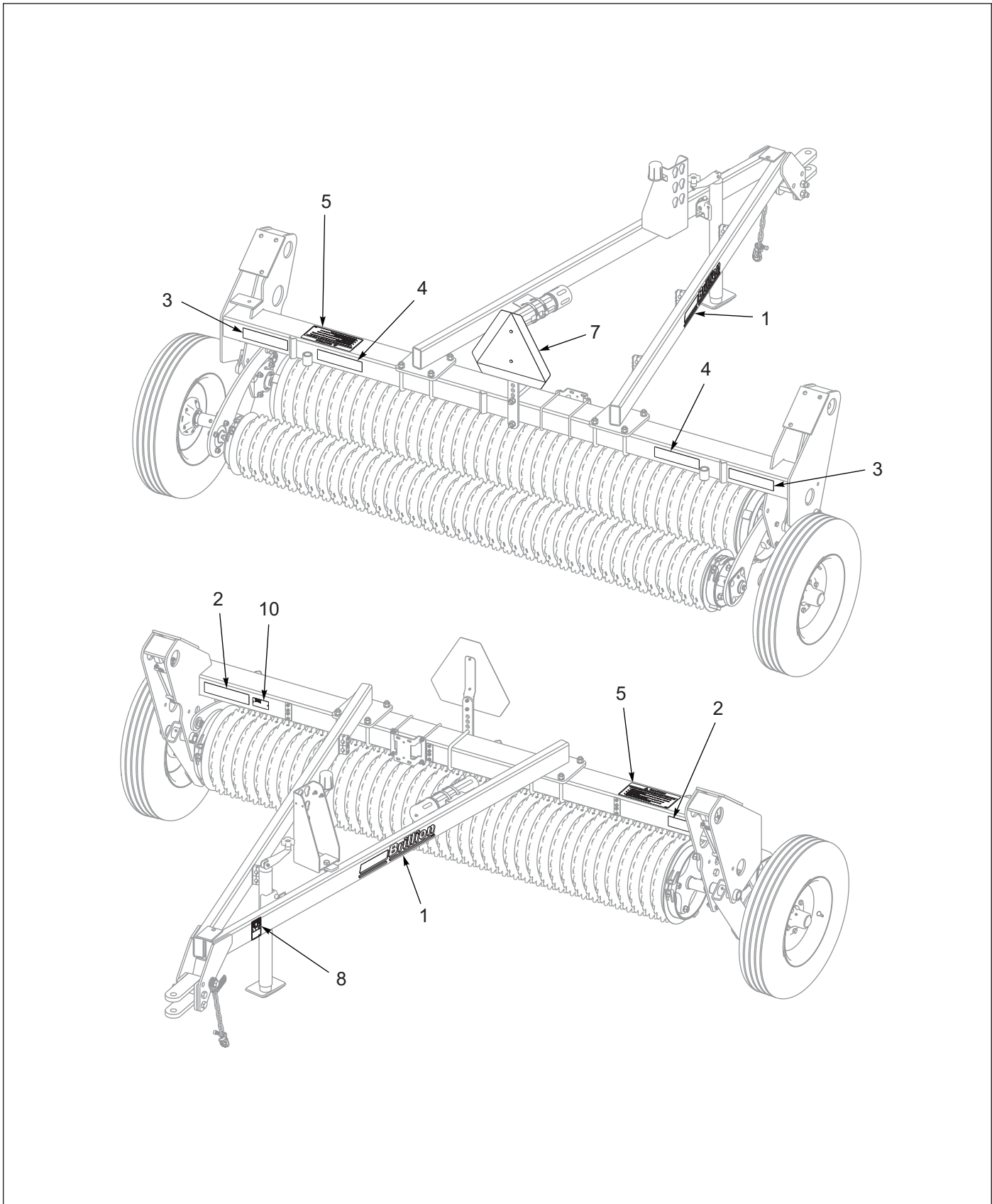


Figure 1-94: Decal Placement - SD 8FT (BEFORE 08/2025)

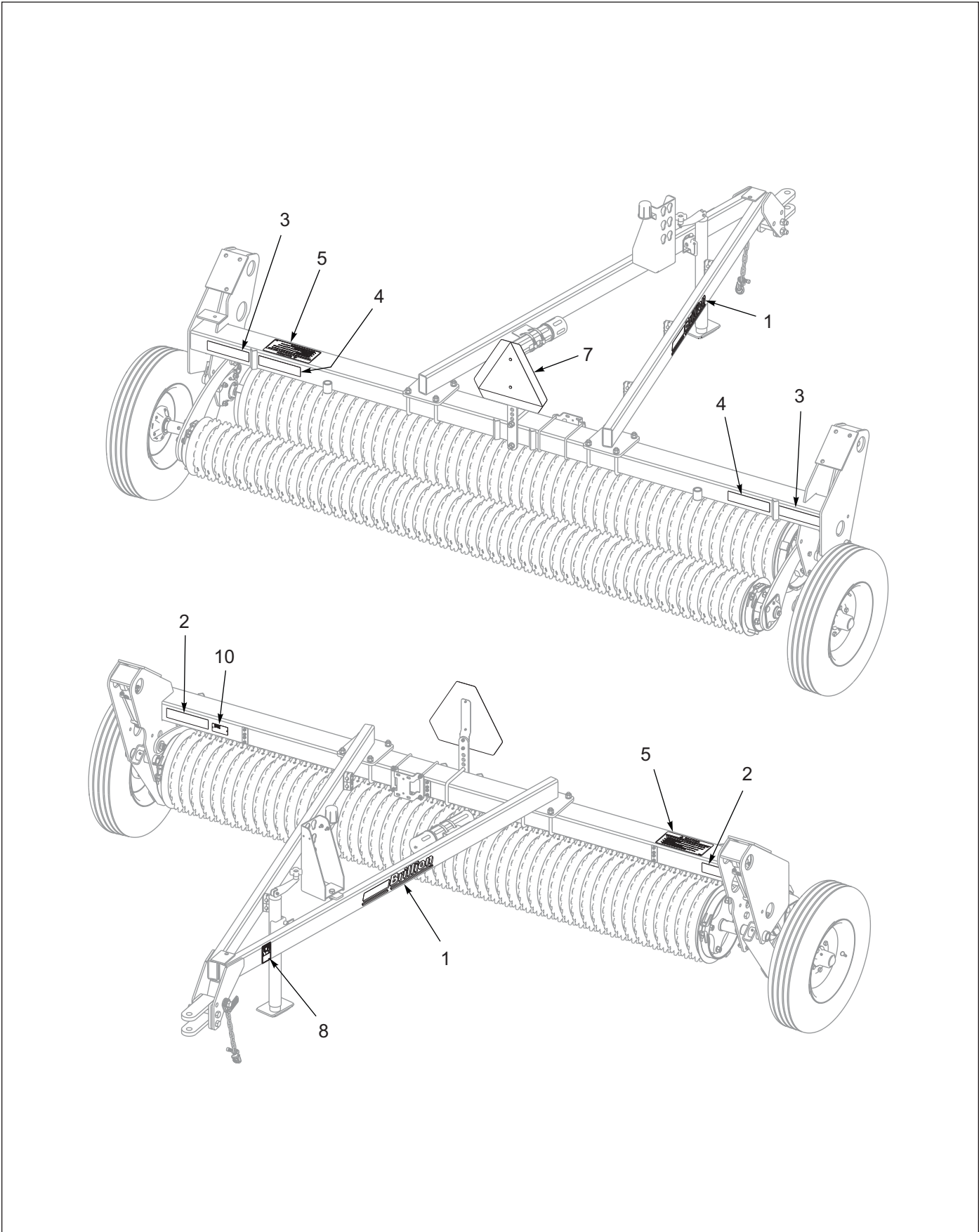


Figure 1-95: Decal Placement - SD 10FT (BEFORE 08/2025)

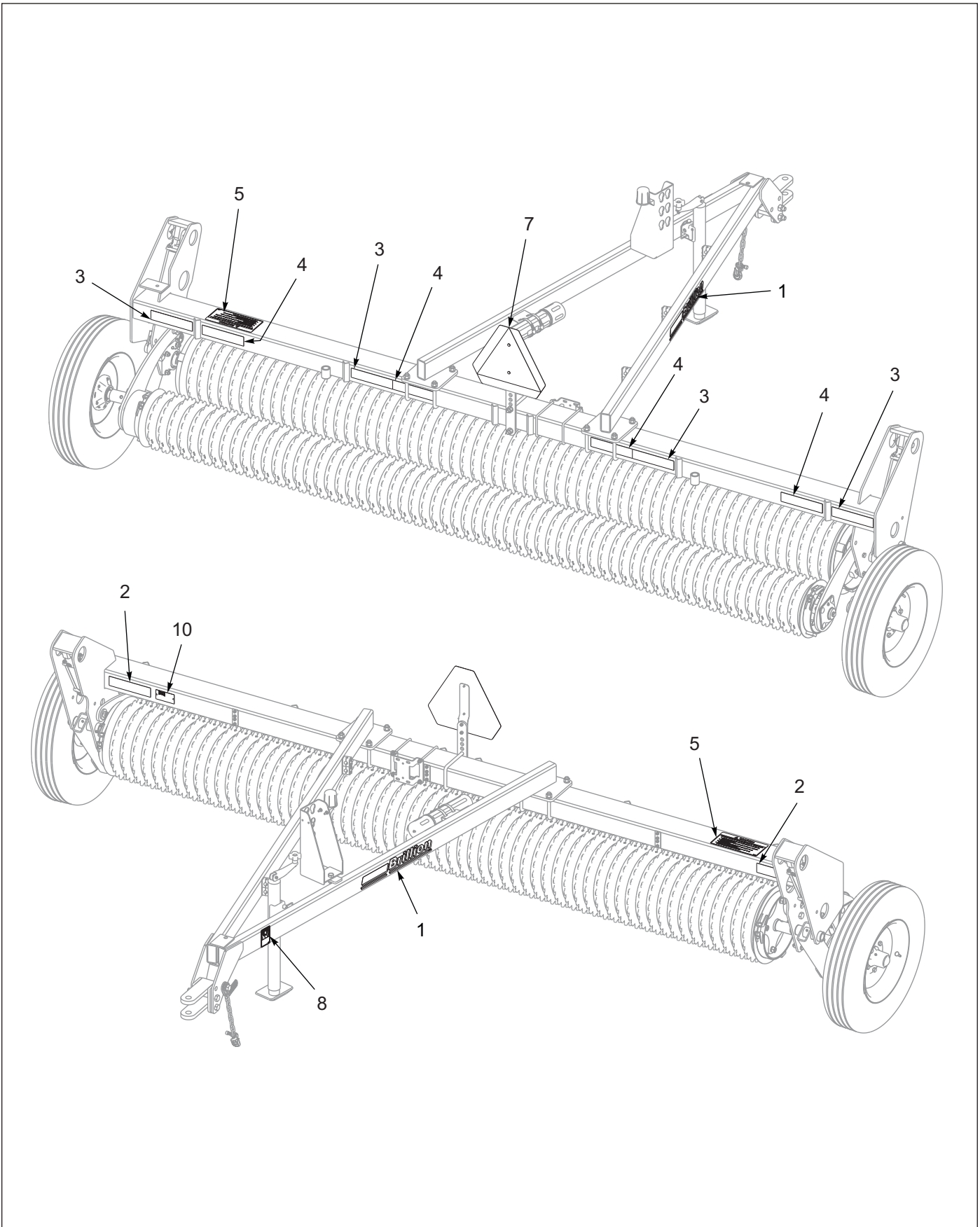


Figure 1-96: Decal Placement - SD 12FT (BEFORE 08/2025)

Decal Placement - SDP Model (BEFORE 08/2025)

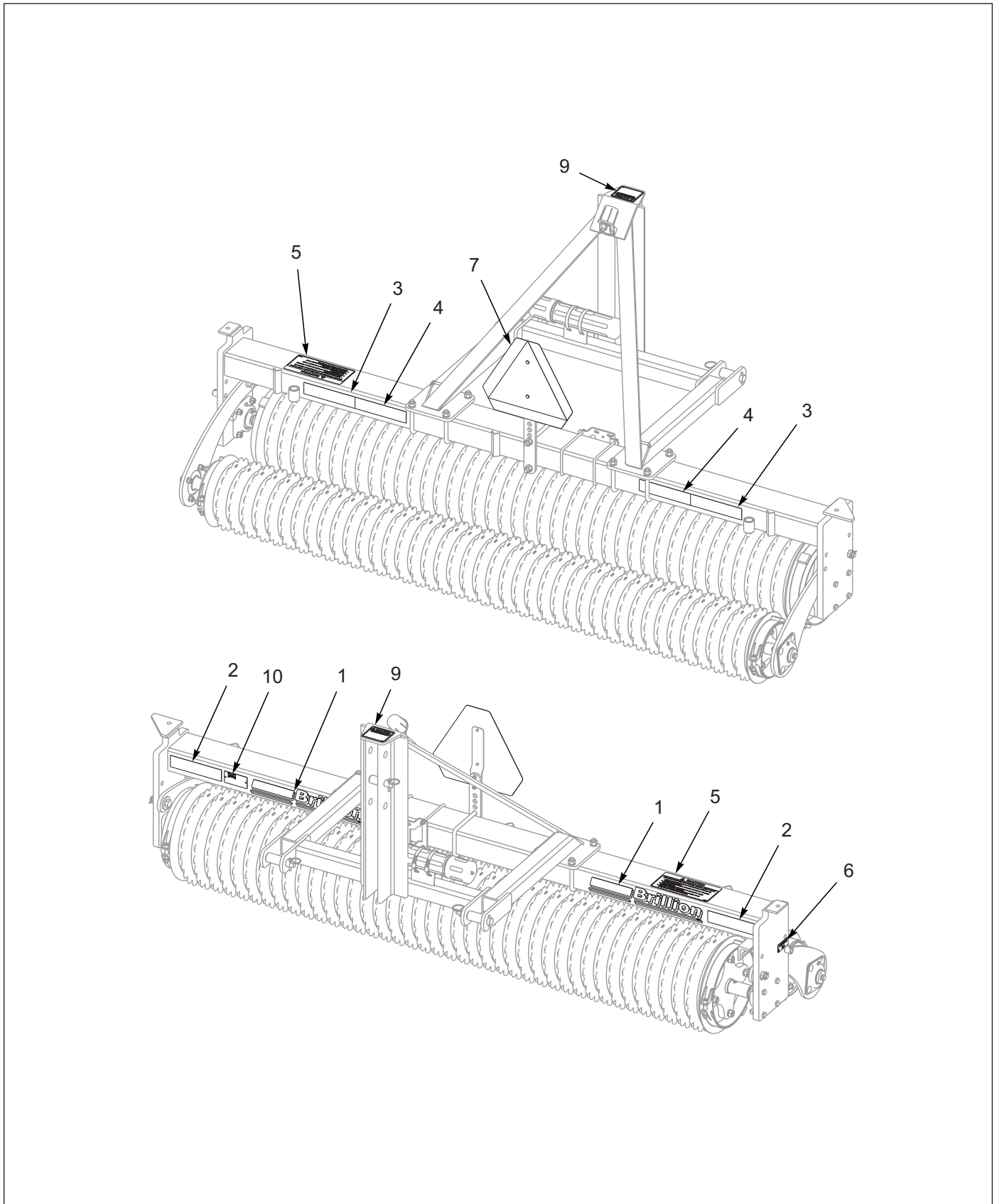


Figure 1-97: Decal Placement - SDP 8FT (BEFORE 08/2025)

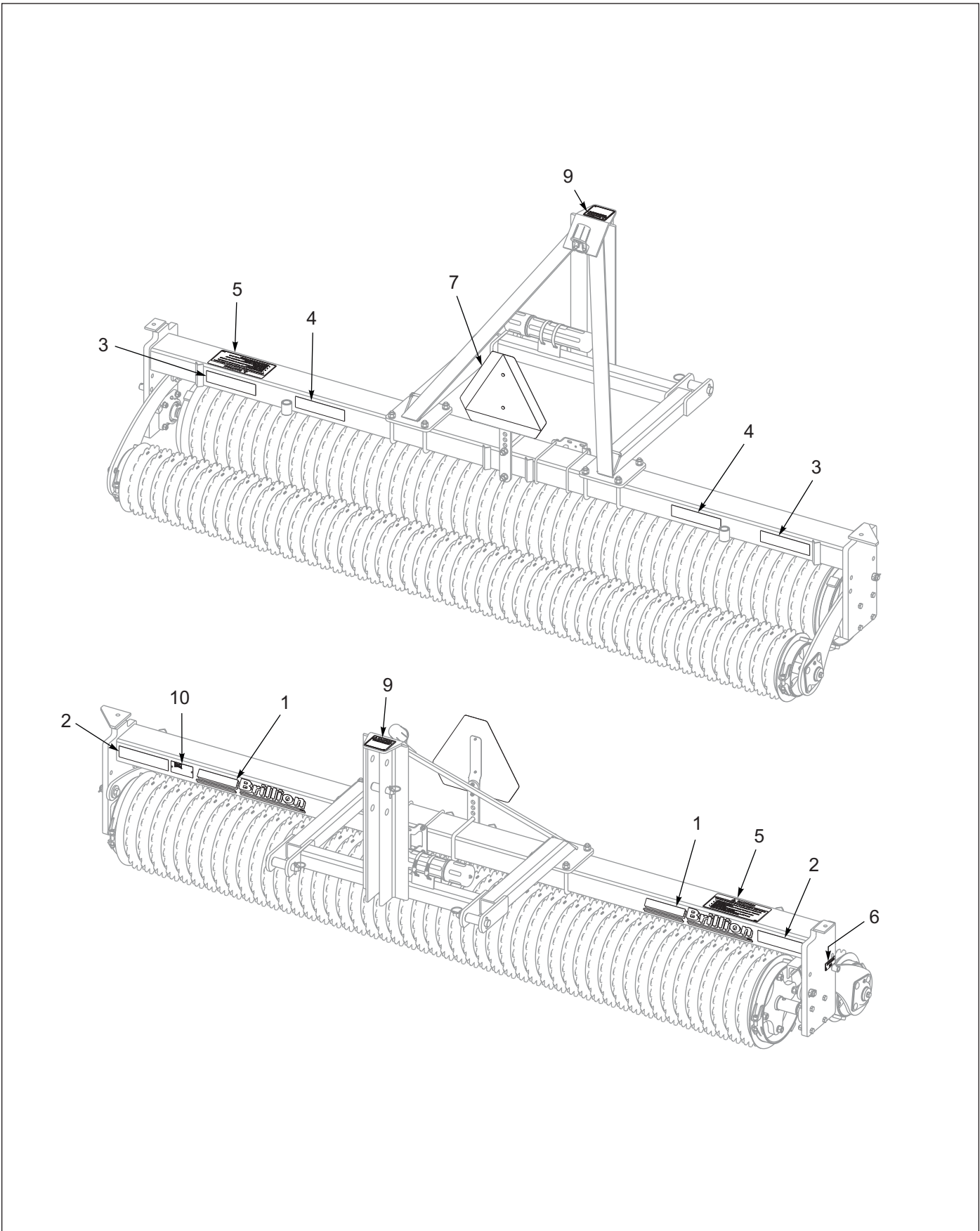


Figure 1-98: Decal Placement - SDP 10FT (BEFORE 08/2025)

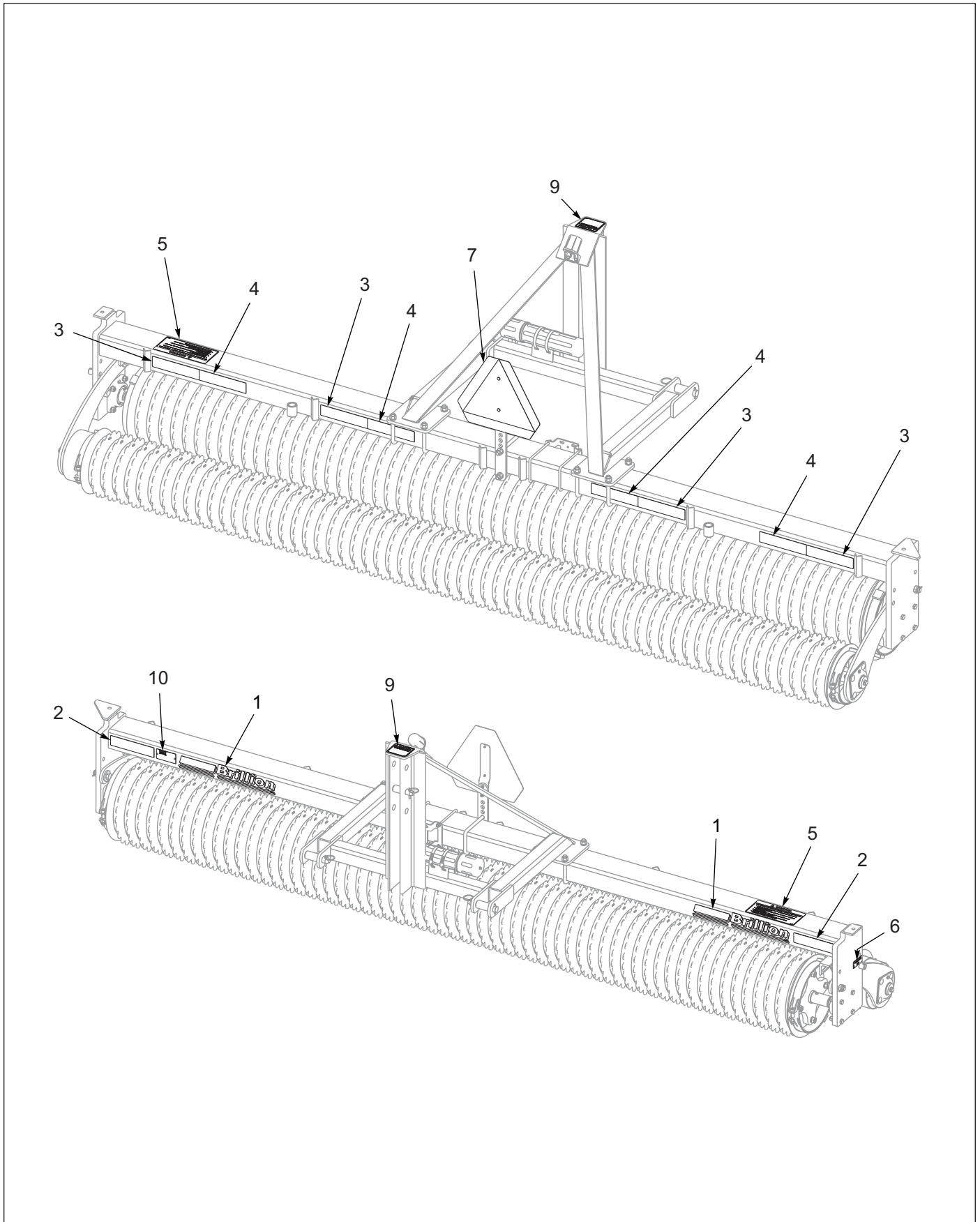


Figure 1-99: Decal Placement - SDP 12FT (AFTER 08/2025)

Glossary

For clarity this glossary of industry standard abbreviations and their definitions are provided.

A

ASM Assembly

B

BATT Battery
BHSC Button Head Socket Cap
BLK Black

C

CB Carriage Bolt
CONN Connector
CRG Carriage
CTSK Countersunk
CTWT Counterweight
CVR Cover
CYD Cylinder

D

DBL Double
DIA Diameter

E

ENCLSD Enclosed

F

FHCS Flanged Head Cap Screw
FHHCS Flanged Hex Head Cap Screw
FL OR FLG Flange
FLT Flat

G

GA Gauge

H

HHCS Hex Head Cap Screw
HCS High Carbon Steel
HD Head
HLCL Helical
HCSKT Hex Socket
HSFC Hex Socket Flat Countersunk
HYD Hydraulic

I

ID Inside Diameter

L

LH Lefthand
LKG OR LOCK Locking
LWR Lower

M

MANF Manifold
MNT Mount

N

NRW Narrow
 ----- Not Serviced Separately

O

OD Outside Diameter
OHG Overhead Guard
ORFS OR ORS O-Ring Seal
ORP OR ORB O-Ring Boss

P

P-STEER Power Steering
PTFE Polytetrafluoroethylene (Teflon)

R

RH Righthand
RND Round

S

SER Series
SHCS Socket Head Cap Screw
SHLD Shield
SKT Socket
SLFLKG Selflocking
SOC Socket
SPDT Single Pole Double Throw
SPR Spring
SQ Square
SRTD Serrated
SSCR Setscrew
SST Stainless Steel
STD Standard

U

UPR Upper

W

WHL Wheel
WLD OR WLDMT Weldment

Numerics

101510	1-33	121443	1-43
101864	1-99	122404	1-113, 1-122
101988	1-101	122405	1-122
103841	1-3	122709	1-55, 1-109
104031	1-79, 1-83	124032	1-109, 1-113
104032	1-81, 1-85, 1-87, 1-89, 1-91	126561	1-48
104665	1-27	1-298-010001-1	1-16, 1-17, 1-27
104877	1-48, 1-58	12D6E	1-114
105-0093	1-5, 1-7, 1-9	137654	1-122
105-0214 .	1-45, 1-81, 1-85, 1-87, 1-89, 1-91, 1-114	139213	1-21, 1-23, 1-25
105874	1-81, 1-85, 1-87, 1-89, 1-91	139974	1-122
105909	1-11, 1-36, 1-40, 1-48	141247	1-3
1-065-010011	1-31	141249	1-3
107-0082	1-27	141433	1-3, 1-5
107-0814	1-126	141828	1-21, 1-23, 1-25
1-076-010007	1-16	141881	1-23, 1-25
1-076-010008	1-17	141886	1-21, 1-25
1-076-010010	1-16	142753	1-3
108213	1-51, 1-53	147072	1-15
108417	1-5, 1-9, 1-11, 1-13, 1-93	1-510-010004-03	1-11
108628	1-58	1-511-010001-03	1-55
109394	1-115	1-512-010003-06	1-115
109410	1-115	1-512-010004-03	1-36, 1-40
110-0344	1-17	1-512-010005-01 . . .	1-3, 1-7, 1-36, 1-79, 1-81, 1-83, 1-85, 1-87, 1-89, 1-91
111-1252	1-11	1-512-010005-03	1-58, 1-79, 1-83
1-116-010019	1-5, 1-7, 1-9	1-512-010005-05 .	1-11, 1-41, 1-48, 1-58, 1-79, 1-83
115958	1-43	1-512-010005-09 .	1-15, 1-27, 1-31, 1-33, 1-36, 1-40, 1-48, 1-53, 1-81, 1-83, 1-85, 1-87, 1-89, 1-91, 1-93, 1-103
1-161-010003	1-16	1-512-010005-13	1-3, 1-7, 1-36, 1-40, 1-87
116432	1-21, 1-23, 1-25	1-512-010005-15	1-3, 1-5
116491	1-21, 1-23, 1-25	1-512-010007-02	1-93, 1-114
117721	1-36, 1-40	1-512-010007-03 .	1-36, 1-41, 1-51, 1-53, 1-61, 1-63, 1-65, 1-67, 1-69, 1-71, 1-109, 1-114, 1-116, 1-117
118-5098	1-93, 1-114	1-512-010007-05	1-13, 1-36, 1-51, 1-53, 1-113, 1-118
118577	1-28, 1-29, 1-30	1-512-010007-06 .	1-13, 1-36, 1-40, 1-48, 1-58, 1-69, 1-71, 1-113
119716	1-36, 1-41		
121031	1-21, 1-23, 1-25		

1-512-010007-07	1-3, 1-5, 1-9, 1-13, 1-33, 1-40, 1-48, 1-58, 1-81, 1-85, 1-89, 1-91, 1-93, 1-99, 1-103, 1-114, 1-115, 1-116, 1-117	1-654-010049-07	1-58
1-512-010007-09	1-5, 1-9, 1-27, 1-31, 1-33, 1-36, 1-40, 1-61, 1-63, 1-65, 1-67, 1-69, 1-71, 1-81, 1-85, 1-93, 1-99, 1-101, 1-103	1-654-010049-08	1-58
1-512-010007-11	1-5, 1-9, 1-27, 1-36, 1-40	1-654-010049-09	1-37, 1-41, 1-113
1-512-010007-14	1-48	1-654-010051-05	1-40, 1-48, 1-58, 1-115, 1-116, 1-117
151273	1-113, 1-122	1-654-010051-06	1-40, 1-58, 1-103, 1-114
1-516-010001-20	1-16	1-654-010051-07	1-48, 1-58, 1-79, 1-81, 1-83, 1-85, 1-93
153861	1-117	1-654-010051-11	1-103
153862	1-114	1-654-010051-13	1-103
154851	1-122	1-654-010055-01	1-41, 1-58
154852	1-122	1-654-010055-02	1-36, 1-40, 1-61, 1-63, 1-65, 1-67, 1-69, 1-71, 1-81, 1-85, 1-93, 1-99
155528	1-21	1-654-010055-03	1-33, 1-81, 1-109
155628	1-58, 1-61, 1-63, 1-65, 1-67, 1-69, 1-71	1-654-010055-04	1-27, 1-103
1-557-010327	1-7, 1-9, 1-36, 1-41	1-654-010055-09	1-15
1-557-010362-51	1-15, 1-16, 1-27	1-654-010055-17	1-101
1-557-010403	1-15	1-654-010059-01	1-36, 1-40
155871	1-54, 1-55	1-654-010059-03	1-5
155872	1-54, 1-55	1-654-010059-11	1-36, 1-40
155873	1-54, 1-55	1-654-010061-06	1-3, 1-5
1-573-010006	1-126, 1-135	1-654-010070-02	1-36, 1-40
164678	1-87, 1-89, 1-91	1-654-010070-03	1-31, 1-83
164683	1-81	1-654-010077-2	1-58
1-647-010004177	1-58, 1-63, 1-67, 1-71	1-656-010003051	1-114, 1-116, 1-117
1-647-010004217	1-36, 1-40, 1-58, 1-113	165622	1-114
1-647-010004221	1-7	166297	1-122
1-647-010004236	1-40	166298	1-122
1-654-010047-04	1-5, 1-9, 1-13, 1-79, 1-83, 1-93	169690	1-27
1-654-010047-05	1-3, 1-83	170509	1-126
1-654-010047-06	1-3, 1-7, 1-81, 1-85, 1-89, 1-91	170510	1-126
1-654-010047-07	1-79, 1-81, 1-83, 1-85, 1-87, 1-89, 1-91, 1-93	170943	1-116
1-654-010047-08	1-21, 1-23, 1-25, 1-79, 1-81, 1-83, 1-85, 1-87	170946	1-116
1-654-010047-12	1-36	170948	1-116
1-654-010049-03	1-13, 1-61, 1-63, 1-65, 1-67, 1-69, 1-71	171378	1-40
1-654-010049-05	1-36, 1-40, 1-48, 1-61, 1-63, 1-65, 1-67, 1-81, 1-85, 1-87, 1-89, 1-91, 1-113	171749	1-94, 1-95, 1-96
1-654-010049-06	1-58, 1-79	172935	1-113
		174399	1-109
		174419	1-109
		174434	1-109
		174435	1-79, 1-81, 1-83, 1-85, 1-87, 1-89, 1-91

174436	1-79, 1-81, 1-83, 1-85, 1-87, 1-89, 1-91	1-861-010034-09	1-13, 1-36, 1-41, 1-51, 1-53, 1-113
174437	1-79, 1-81, 1-83, 1-85, 1-87, 1-89, 1-91	1-861-010034-10 .	1-13, 1-36, 1-40, 1-48, 1-58, 1-61, 1-63, 1-65, 1-67, 1-69, 1-71, 1-113
178506	1-81, 1-85, 1-89, 1-91	1-861-010034-11 . . .	1-5, 1-9, 1-13, 1-33, 1-40, 1-48, 1-58, 1-81, 1-85, 1-89, 1-91, 1-93, 1-99, 1-103, 1-114, 1-115, 1-116, 1-117
178513	1-83, 1-85, 1-87, 1-89, 1-91	1-861-010034-12	1-101
178514	1-79, 1-81, 1-83, 1-85, 1-87, 1-91	1-861-010034-13 . . .	1-5, 1-9, 1-27, 1-31, 1-33, 1-36, 1-40, 1-61, 1-63, 1-65, 1-67, 1-69, 1-71, 1-81, 1-85, 1-93, 1-99, 1-101, 1-103
178515	1-79, 1-81, 1-83, 1-85, 1-87, 1-89	1-861-010034-15	1-5, 1-9, 1-27, 1-36, 1-40
178525	1-79, 1-81, 1-87	190884	1-95
178529	1-81, 1-85, 1-89, 1-91	191399	1-27
184680	1-77	192069	1-43, 1-126
184681	1-77	193218	1-27
184682	1-77	193219	1-27
184786	1-74	193220	1-27
184787	1-74	194034	1-113
185216	1-5, 1-11, 1-13	194035	1-113
185943	1-113	194102	1-123
185944	1-113	194103	1-123
185950	1-113	194104	1-123
185975	1-113	194105	1-123
185978	1-109, 1-113	194106	1-123
185982	1-58, 1-113	194107	1-123
185989	1-113	194108	1-123
185996	1-113	194109	1-123
1-861-010032-02	1-93, 1-109, 1-114	194110	1-123
1-861-010032-03	1-43, 1-109	194111	1-123
1-861-010032-06 . . .	1-3, 1-7, 1-72, 1-81, 1-85, 1-89, 1-91, 1-109	194744	1-123
1-861-010032-07	1-3, 1-79, 1-83	194745	1-123
1-861-010032-08	1-109, 1-113	194840	1-122
1-861-010032-09 . . .	1-13, 1-81, 1-85, 1-87, 1-89, 1-91	194841	1-109, 1-122
1-861-010032-10	1-11, 1-48, 1-79, 1-83	194903	1-122
1-861-010032-11 . . .	1-58, 1-61, 1-63, 1-65, 1-67, 1-69, 1-71, 1-99, 1-103, 1-109, 1-115, 1-116	194904	1-122
1-861-010032-14	1-33	197150	1-109
1-861-010032-15	1-58, 1-99	1C192	1-72
1-861-010032-18	1-3, 1-7	1C193	1-72
1-861-010032-19	1-36, 1-40	1C199	1-51, 1-53, 1-61, 1-63, 1-65, 1-67, 1-69, 1-71, 1-72
1-861-010032-20	1-3, 1-5, 1-17, 1-36	1C212	1-72
1-861-010032-22	1-63, 1-67, 1-71		
1-861-010032-24	1-16		
1-861-010034-07 . . .	1-36, 1-41, 1-43, 1-51, 1-53, 1-61, 1-63, 1-65, 1-67, 1-69, 1-71, 1-109, 1-114, 1-117		

1C213	1-36, 1-41, 1-51, 1-53, 1-61, 1-63, 1-65, 1-67, 1-69, 1-71, 1-116, 1-117	1K221	1-99
1C217	1-58, 1-61, 1-63, 1-65, 1-67, 1-69, 1-71	1K224	1-99
1C245	1-54, 1-55	1K225	1-99
1C272	1-54, 1-55	1K228	1-99
1C277	1-120	1K470	1-27
1C339	1-61, 1-63, 1-65, 1-67, 1-69, 1-71	1K639	1-40
1C357	1-109, 1-113	1P152	1-40
1C606	1-58, 1-61, 1-63, 1-65, 1-67, 1-69, 1-71	1P340	1-41
1C968	1-28, 1-29	1P443	1-120
1D273	1-17	1P742	1-120
1D598	1-36, 1-40	1P805	1-120
1D617	1-48	200829	1-3
1J390	1-17	202702-8-8S	1-23, 1-25
1J463	1-17	2033-8-8S	1-21, 1-23, 1-25
1J834	1-101	207619	1-113
1J887	1-101	207620	1-113
1K020	1-3, 1-5	208527	1-109
1K023	1-48, 1-58	208528	1-109
1K024	1-51, 1-53	2107649	1-16
1K025	1-61, 1-63	2-150-010008	1-15
1K050	1-54	218260	1-126
1K051	1-55	219111	1-119
1K052	1-48, 1-126	219138	1-119
1K053	1-48	219139	1-119
1K054	1-51, 1-54	2-318-010009	1-45
1K055	1-48	233476	1-109
1K056	1-53, 1-55	233477	1-109
1K058	1-61	233479	1-109
1K059	1-63	233480	1-109
1K060	1-58, 1-61	233481	1-109
1K061	1-58, 1-63	233483	1-109
1K140	1-118	233485	1-109
1K141	1-118	233490	1-109
1K142	1-118	233496	1-109
1K212	1-94, 1-95, 1-96, 1-99	234115	1-109
1K214	1-99	234173	1-15, 1-16
1K215	1-99	234174	1-16
1K219	1-99	234193	1-109
1K220	1-99	234194	1-109
		234195	1-109

234484	1-109	2C524	1-30
234486	1-109	2C662	1-58, 1-61, 1-63, 1-65, 1-67, 1-69, 1-71
234487	1-109	2C801	1-30
235621	1-126	2C802	1-28, 1-29
2-368-010287	1-3, 1-7, 1-81, 1-85	2C808	1-61, 1-63, 1-65, 1-67, 1-69, 1-71
236947	1-109	2C809	1-61, 1-63, 1-65, 1-67, 1-69, 1-71, 1-73, 1-74, 1-77
237780	1-109	2C815	1-77
238886	1-48	2D045	1-114
239-3646-6	1-45	2D799	1-15
242499	1-94, 1-95, 1-96	2J155	1-101
242873	1-3, 1-7	2J241	1-101
242874	1-3, 1-7	2K096	1-48, 1-126
244050	1-94, 1-95, 1-96	2K123	1-48, 1-58, 1-126
244058	1-94, 1-95, 1-96	2K316	1-31
244061	1-94	2K451	1-51, 1-53
244062	1-95	2K452	1-69, 1-71
244063	1-96	2K453	1-48, 1-58
244064	1-94	2K454	1-28
244065	1-96	2K455	1-30
247351	1-3	2K456	1-3, 1-5
247373	1-3	2K460	1-27, 1-30
247396	1-83	2K461	1-27, 1-28
247445	1-79	2K467	1-99
247446	1-79	2K468	1-48
247450	1-33, 1-36, 1-40	2K469	1-48
247451	1-3, 1-7	2K475	1-27
247463	1-83	2K476	1-51, 1-54
247493	1-11	2K477	1-54
247494	1-33	2K478	1-53, 1-55
247496	1-7	2K479	1-55
250109	1-11	2K480	1-27, 1-31
250110	1-11	2K481	1-27, 1-31
250111	1-11	2K482	1-33, 1-36
25079	1-81, 1-85, 1-87, 1-89, 1-91, 1-114	2K485	1-11, 1-13
253359	1-115	2K486	1-11, 1-13
253360	1-115	2K487	1-11, 1-13
253361	1-114, 1-115	2K488	1-11, 1-13
253726	1-15	2K489	1-11, 1-13
254817	1-115	2K490	1-11, 1-13
2C112	1-28, 1-29, 1-30		

2K492	1-58, 1-69	4C129	1-19
2K493	1-58, 1-71	4C580	1-27, 1-33
2K494	1-69	4C688	1-28, 1-29
2K495	1-71	4C689	1-30
2K496	1-101	4C856	1-103, 1-121
2K502	1-36	4D402	1-48
2K503	1-36, 1-40	4D413	1-48
2K504	1-36, 1-41	4D645	1-27
2K522	1-31	4J548	1-15
2K526	1-99	4J867	1-3, 1-5
2K538	1-37, 1-41	4J918	1-5, 1-9, 1-85, 1-87, 1-89, 1-91, 1-93, 1-103
2K629	1-118	4K036	1-126, 1-135
2K630	1-118	4K037	1-126
2K631	1-118	4K039	1-126
2K704	1-9	4K401	1-126
2K771	1-11, 1-13	4K402	1-126
2K772	1-11, 1-13	4K403	1-126
2K775	1-11, 1-13	4K404	1-126
2K776	1-11, 1-13	4K607	1-21, 1-23, 1-25
2K957	1-33	4K636	1-3, 1-5
2P151	1-81, 1-85, 1-87, 1-89, 1-91, 1-126, 1-135	4K900	1-21, 1-23, 1-25
2P252	1-94, 1-95, 1-96	4K903	1-21, 1-23, 1-25
2P253	1-94, 1-95, 1-96, 1-109	4K928	1-36
2P735	1-120	4K956	1-40, 1-43
3/4-16HSN	1-17	51365-4	1-135
3-272-010017	1-45	528933	1-126, 1-135
3C356	1-55	528934	1-126, 1-135
3C956	1-75, 1-76	528938	1-126, 1-135
3C995	1-74, 1-76	57081	1-45
3C996	1-76	5C100	1-15
3C997	1-76	5C195	1-77
3C998	1-75, 1-76	5C479	1-17
3J060	1-74	5C480	1-17
3J561	1-94, 1-95, 1-96, 1-99, 1-101	5C880	1-75
3J951	1-103	5C881	1-75
3K069	1-33, 1-36	5C882	1-74, 1-75
3K706	1-3, 1-5, 1-126, 1-135	5C912	1-17
4000671	1-122	5D129	1-115, 1-116, 1-117
4001294	1-122	5D156	1-7, 1-9
4C003	1-75	5D157	1-7, 1-9

5D158	1-7, 1-9	5K706	1-40
5D505	1-74	5K713	1-41
5J358	1-101	5K714	1-114
5J601	1-103	5K745	1-114
5J603	1-103	6C400	1-33
5J616	1-101	6C468	1-120
5J650	1-120, 1-121	6D312	1-18
5J915	1-94, 1-95, 1-96, 1-99	6D336	1-16
5K156	1-40	6D338	1-16
5K201	1-40	6D529	1-7, 1-9
5K209	1-40	6D918	1-121
5K226	1-40	6J189	1-19
5K227	1-40	6J542	1-121
5K262	1-109, 1-114	6J544	1-121
5K268	1-41, 1-45	6J546	1-121
5K273	1-40	6K458	1-3, 1-5
5K275	1-114	6K516	1-37, 1-40
5K277	1-114	6K603	1-61, 1-63, 1-73
5K287	1-93	6K604	1-65, 1-67, 1-73
5K288	1-93	6K646	1-7, 1-9
5K294	1-41, 1-45	6K647	1-7, 1-9
5K310	1-114, 1-116	6K648	1-7, 1-9
5K319	1-33	6K649	1-7, 1-9
5K332	1-114	6K886	1-36, 1-40
5K387	1-45	6K911	1-15, 1-19
5K388	1-45	6K919	1-15, 1-18
5K398	1-45	6K926	1-15, 1-19
5K400	1-45	6K956	1-73
5K402	1-45	6K957	1-73
5K416	1-45	6K958	1-73
5K467	1-43	70260977	1-79, 1-83, 1-126
5K468	1-43	712099	1-16
5K470	1-43	71508979	1-21, 1-23, 1-25
5K471	1-43	71508984	1-21, 1-23, 1-25
5K472	1-43	71508987	1-21, 1-23, 1-25
5K473	1-43	7D014	1-101
5K474	1-43	7D728	1-101
5K476	1-43	7D937	1-51, 1-53, 1-61, 1-63, 1-65, 1-67, 1-69, 1-71
5K489	1-43	7D938	1-51, 1-53, 1-61, 1-63, 1-65, 1-67, 1-69, 1-71
5K491	1-43	7J088	1-103

7J093	1-103	9J351	1-27
7J095	1-103	9J353	1-5
7J096	1-103	9J359	1-5, 1-9
7J127	1-15	9J362	1-5, 1-9
7J140	1-13	9J367	1-33, 1-36, 1-40
7J422	1-36	9J377	1-36, 1-40
7J990	1-3, 1-5, 1-7, 1-9	9J378	1-40
7K656	1-69, 1-71, 1-73	9J379	1-36, 1-40
7K678	1-113	9J385	1-36
81264	1-45	9J389	1-36, 1-40
8J309	1-126, 1-135	9J391	1-36, 1-40
8J564	1-61, 1-63, 1-65, 1-67, 1-69, 1-71, 1-73, 1-74, 1-77	9J392	1-36, 1-41
8J789	1-19	9J395	1-37, 1-41
8J790	1-18, 1-19	9J399	1-27
8J792	1-18, 1-19	9J400	1-15
8K659	1-93	9J403	1-33
8K660	1-93	9J411	1-58
8K661	1-93	9J412	1-58
8K663	1-93	9J413	1-51, 1-53
8K664	1-5, 1-9, 1-89, 1-91, 1-93	9J414	1-65, 1-67
8K885	1-5	9J415	1-48, 1-58
9D772	1-36	9J416	1-58, 1-65
9D793	1-61, 1-63, 1-65, 1-67, 1-69, 1-71	9J417	1-58, 1-67
9D794	1-77	9J418	1-65
9D854	1-36, 1-40	9J419	1-67
9D903	1-40	9J422	1-58
9D923	1-27	9J423	1-58
9J301	1-7, 1-9, 1-126, 1-135	9J424	1-58, 1-126
9J302	1-7, 1-9, 1-126, 1-135	9J425	1-48
9J311	1-3, 1-5	9J426	1-48
9J324	1-15	9J427	1-51, 1-54
9J325	1-15	9J428	1-54
9J330	1-17	9J429	1-126
9J331	1-15, 1-17	9J430	1-53, 1-55
9J336	1-27, 1-30	9J431	1-55
9J337	1-30	9J432	1-48, 1-126
9J338	1-27	9J433	1-48
9J349	1-27, 1-28	9J434	1-118
9J350	1-28	9J436	1-33, 1-48
		9J437	1-15

9J438	1-101	9K787	1-93
9J440	1-15, 1-21, 1-23, 1-25, 1-120, 1-121	9K817	1-85, 1-93
9J442	1-9	9K822	1-81, 1-85, 1-87, 1-89, 1-91, 1-93
9J474	1-101	9K823	1-48, 1-81, 1-85
9J477	1-101	9K825	1-81, 1-85, 1-93
9J495	1-104	9K853	1-5, 1-9
9J496	1-118	9K854	1-5, 1-9
9J579	1-101		
9J617	1-104	W	
9J618	1-104		
9J620	1-118	W908409-4	1-3, 1-5
9J655	1-121		
9J656	1-121		
9J895	1-30		
9J896	1-28		
9J897	1-27, 1-30		
9J898	1-27, 1-28		
9J924	1-33		
9J931	1-101		
9J932	1-103		
9J942	1-103		
9J962	1-101		
9K260	1-29		
9K261	1-29		
9K262	1-29		
9K265	1-27		
9K270	1-27, 1-29		
9K271	1-27, 1-29		
9K272	1-27, 1-29		
9K406	1-27		
9K440	1-41		
9K616	1-87		
9K731	1-93		
9K732	1-93		
9K739	1-117		
9K740	1-115, 1-116, 1-117, 1-126		
9K741	1-117		
9K743	1-93		
9K750	1-93		
9K784	1-93		

Instructions for Ordering Parts

**** Repair parts must be ordered through an Authorized Dealer ****

DEALER INSTRUCTIONS FOR ORDERING PARTS FROM LANDOLL PARTS DISTRIBUTION CENTER

PHONE: 800-423-4320 or 785-562-5381

FAX: 888-527-3909

ORDER ONLINE: dealer.landoll.com

DATA PLATE

The Data Plate, which lists the model and serial number of the equipment, is located on the right side of the Sure Stand Seeder.

SERIAL NUMBER NOMENCLATURE

The following information will help decode the Landoll serial number.

ASD2100100 = xxmysssss

xx	= model series (i.e. "AS" for all AG Seeders)
m	= month of manufacture (ex. "D" means April. The letter I is not used.)
yy	= last digits of the year manufactured (ex. "21" means 2021)
sssss	= Sequential number used to track warranty and service information.

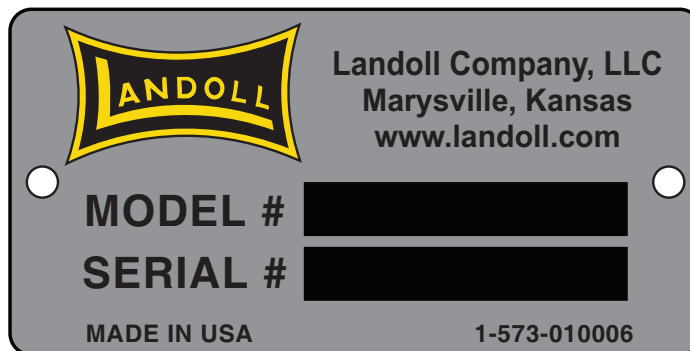


Figure: Data Plate

Manuals for High Capacity Sure Stand Seeder, Models SSB8/SSB10/SSB12 and SSBP8/SSBP10/SSBP12

Manual Number	Manual Type
1P480	Operator's Manual
1P481	Parts Manual

Document Control Revision Log:

Date	Form #	Improvement(s): Description and Comments
11/30/07	1107rev8-5-08	Initial Release
07/06/12	1107rev0712	Improved Pictures and Drawings, ECN's 35017, 35358, 35819, 35851
03/15/2013	1107rev0313	Added New Acre Meter Data
09/15/2013	1107rev0913	Added LED Warning Lights
06/02/2014	1107rev0614	Improved Drawings, ECN 38152
07/01/2014	1107rev0714	ECN 38503
09/2020	1P481-0920	ECN 46429 - Updated Switch Box Assembly
06/2021	1P481-0621	ECN 47093 - Hub & Spindle Asm Update to 6 Bolt
05/2022	1P481-0522	ECN 46900, 47187, 47707 - Add Brillion Elite Mini Monitor by Loup ECN 47474 - Add QR Code Decal Add Seed Shaft Decal Changes to LED Installation ECN 48123 - Switch Box Asm
01/2023	1P481-0123	ECN 48690 - Agitator Kit Changes
06/2023	1P481-2306	Added "Tube Mounted Scraper Kits" *Revision Format "Year/Month" ECN 49503 - Decal Change (Revised 11/2023)
01/2024	1P481-2401	ECN 49592 - 4D413 Bearing to 238886 Updated ISO logos to ISO 9001:2015 (Revised 04/2024)
01/2025	1P481-2501	ECN 50316 - 9J331 Hub and Spindle Asm Added Connector Link Part Numbers (Revised 05/2025)
06/2025	1P481-2506	ECN 50859 - 4 Channel Acre Meter Console
09/2025	1P481-2509	ECN 49985, 50769 - 12FT Build (Drawbar, 3-PT, Frame, Carriage Bolts, Lights) ECN 50781, 50808 - 10FT Build (Drawbar, 3-PT, Frame, Carriage Bolts, Lights) ECN 50817, 50869 - 8FT Build (Drawbar, 3-PT, Frame, Carriage Bolts, Lights) ECN 50898 - Transmission w/Clutch ECN 51092 - Agitator Blade as Feature ECN 51197 - SD, SDP Frame, Lights



intertek

Equipment from Landoll Company, LLC is built to exacting standards ensured by ISO 9001:2015 registration at all Landoll manufacturing facilities.

Sure Stand Seeder Models SSB8/SSB10/SSB12 SSBP8/SSBP10/SSBP12

Parts Manual

Re-Order Part Number 1P481

LANDOLL COMPANY, LLC

1900 North Street

Marysville, Kansas 66508

(785) 562-5381

800-428-5655 ~ **WWW.LANDOLL.COM**



Copyright 2026. Landoll Company, LLC

“All rights reserved, including the right to reproduce this material or portions thereof in any form.”

