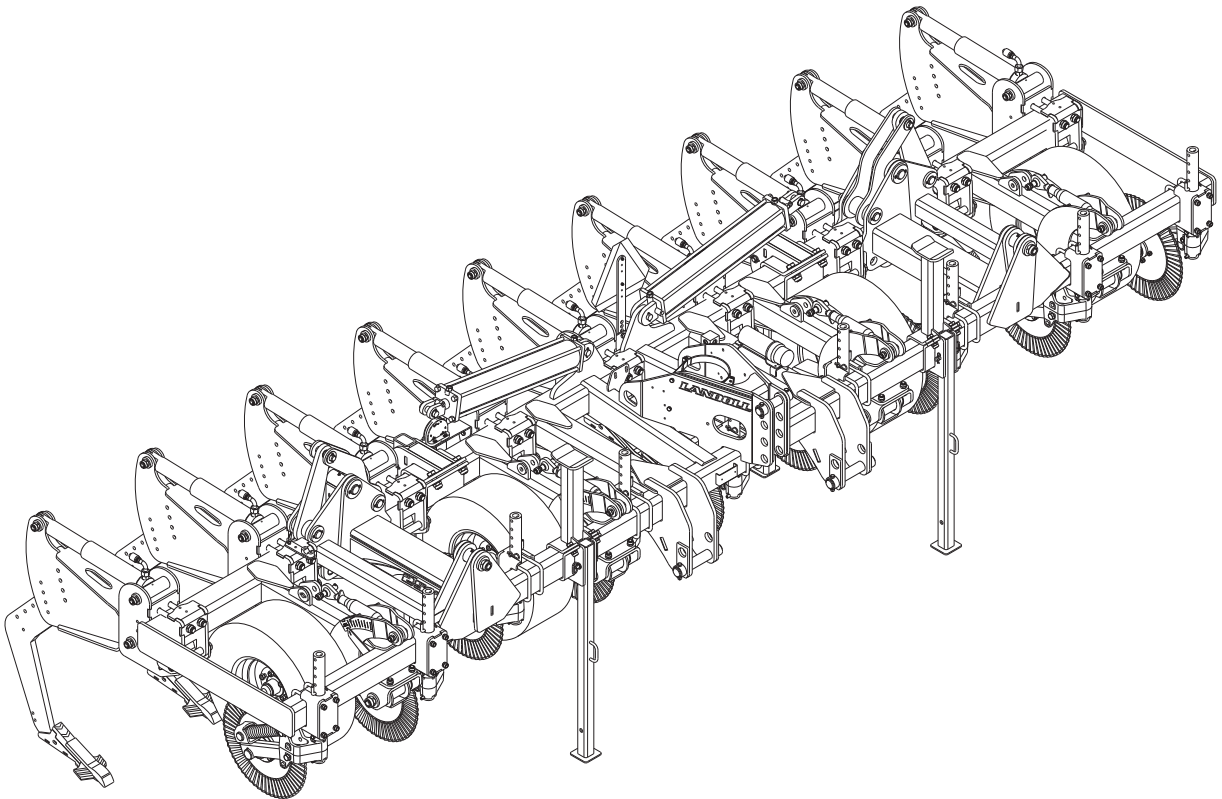




# 2512 In-Line Ripper

FOR UNITS SHIPPED AFTER DECEMBER 1, 2020  
(SN:25M201237 AND ABOVE)  
PREVIOUS UNITS SHOULD REFERENCE F-1039-0320

## Parts Manual



### LANDOLL COMPANY, LLC

1900 North Street

Marysville, Kansas 66508

(785) 562-5381

800-428-5655 ~ [WWW.LANDOLL.COM](http://WWW.LANDOLL.COM)

# Instructions for Ordering Parts

**\*\* Repair parts must be ordered through an Authorized Dealer \*\***

## DEALER INSTRUCTIONS FOR ORDERING PARTS FROM LANDOLL PARTS DISTRIBUTION CENTER

Phone: 800-423-4320 or 785-562-5381

Fax: 888-527-3909

Order online: [dealer.landoll.com](http://dealer.landoll.com)

### DATA PLATE

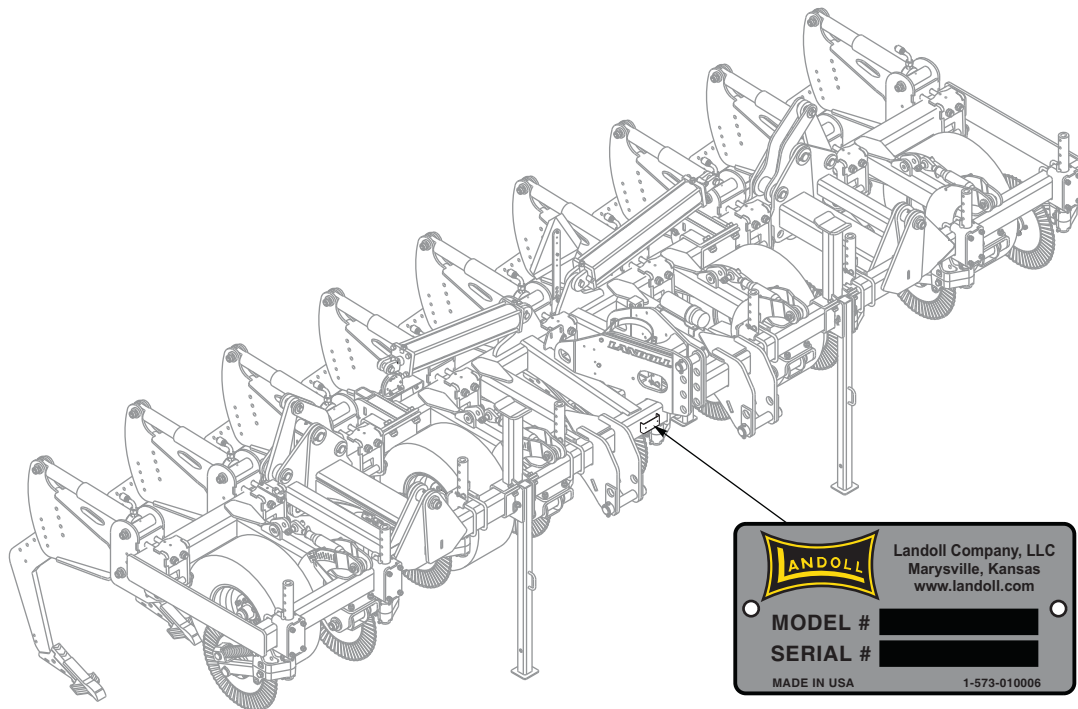
The Data Plate, which lists the model number and serial number, is located on the front of the frame.

### SERIAL NUMBER

The following information will help decode the serial number.

**25C2400100 = xxmysssss**

<b>xx</b>	= model series (i.e. "25" for all In-Line Rippers)
<b>m</b>	= month of manufacture (ex. "C" means March. The letter I is not used.)
<b>yy</b>	= year manufactured (ex. "24" means 2024)
<b>sssss</b>	= sequential number used to track warranty and service information.



**Figure: Data Plate**

### Manuals for 2512 In-Line Ripper and Caddy

FOR UNITS SHIPPED AFTER DECEMBER 1, 2020 (SN: 25M201237 AND ABOVE)

PREVIOUS UNITS SHOULD REFERENCE F-1039-0320

Manual Number	Manual Type
F-1040	Operator's Manual
F-1039	Parts Manual ( <b>2512 In-Line Ripper ONLY</b> )
F-1075	Caddy Parts Manual ( <b>ONLY</b> )

# Table of Contents

---

## 1 Frames

Rigid Frame .....	1-1
Folding Frame .....	1-3
Auto Reset Shank Clamp, Spring (AFT. 01/01/2024) .....	1-7
Auto Reset Shank Clamp, Spring - Setback (AFT. 01/01/2024) .....	1-8
Auto Reset Shank Clamp, Spring (01/16/23 TO 01/01/24) .....	1-9
Auto Reset Shank Clamp, Spring - Setback (01/16/23 TO 01/01/24) .....	1-10
Auto Reset Shank Clamp, Spring (BEF. 01/16/2023) .....	1-11
Auto Reset Shank Clamp, Spring - Setback (BEF. 01/16/2023) .....	1-12
Auto Reset Shank Clamp, Hydraulic (AFT. 02/07/2025) .....	1-13
Auto Reset Shank Clamp, Hydraulic - Setback (AFT. 02/07/2025) .....	1-14
Auto Reset Shank Clamp, Hydraulic (12/12/23 TO 02/07/25) .....	1-15
Auto Reset Shank Clamp, Hydraulic - Setback (12/12/23 TO 02/07/25) .....	1-16
Auto Reset Shank Clamp, Hydraulic (BEF. 12/12/2023) .....	1-17
Auto Reset Shank Clamp, Hydraulic - Setback (BEF. 12/12/2023) .....	1-18
RSB Shank Clamp Assembly (Rigid Shear Bolt) .....	1-19
Jack Stand and Wing Rest (AFTER 06/07/2023) .....	1-20
Jack Stand and Wing Rest (11/01/21 TO 06/07/23) .....	1-21
Jack Stand and Wing Rest (BEFORE 11/01/2021) .....	1-22
Jack Stand, Rear - Optional .....	1-23
Gauge Wheel Assembly - Horizontal Mount (Left and Right) .....	1-25
Gauge Wheel Assembly - Vertical Mount (Left and Right) .....	1-27
Hub Assembly .....	1-29
Rear Tow Bar Hitch - Optional .....	1-31

## 2 Coultter Assemblies

Blade Coultter - Straight, Rippled & Pyramid Option (Left Hand) .....	2-1
Blade Coultter - Straight, Rippled & Pyramid Option (Right Hand) .....	2-3
Heavy Duty Coultter (AFTER 02/2022) .....	2-5
Heavy Duty Coultter (BEFORE 02/2022) .....	2-7
Coultter Placement .....	2-9

## 3 Electrical

Lighting and Reflectors (Rigid 4 Shank) .....	3-1
Lighting and Reflections (Rigid 5/6/7/8 Shank) .....	3-3
Lighting and Reflectors (Folding) .....	3-5
Wiring Diagram .....	3-7

## 4 Hydraulics

2512 Folding Frame Hydraulic Diagram (AFTER 11/01/2021) .....	4-1
2512 Folding Frame Hydraulic Diagram (BEFORE 11/01/2021) .....	4-3

2512 Accumulator Bladder	4-6
2512 Hydraulics, 4 Shank	4-7
2512 Hydraulics, 5 Shank	4-8
2512 Hydraulics, 6 Shank	4-9
2512 Hydraulics, 7 Shank (Rigid and Folding)	4-13
2512 Hydraulics, 8 Shank (Rigid and Folding)	4-17
2512 Hydraulics, 9 Shank (Folding)	4-21
Manifold-Draft Assembly	4-25
Manifold-Shank Cylinder Assembly	4-26
Wing Lock Kit - Optional	4-27
Hydraulic Cylinder, 1-1/2 x 1-1/2 - 230890	4-29
Hydraulic Cylinder, 3 x 9-1/2 - 209372	4-30
Hydraulic Cylinder, 4 x 24 - 108331	4-31
Hydraulic Cylinder, 5 x 30 - 233870	4-32
Hydraulic Cylinder, 6 x 30 - 233833	4-33

**5 Shanks**

Parabolic Shank, 1-1/4	5-1
Straight Leg Shank, 1-1/4	5-3
Straight Leg Shank, 3/4	5-5
Coverboard Kit	5-7

**6 Points**

Points for 1-1/4 Shank	6-1
Points for 3/4 Shank	6-3

**7 Finishing Options**

Closing Platform (AFTER 04/2024)	7-1
Closing Platform (02/2022 TO 04/2024)	7-3
Closing Platform (BEFORE 02/2022)	7-5
Closer Wheel	7-7
Flat Bar Basket - 20"	7-8
Closer Disc	7-9
Crumbler Reel	7-10
Packer Reel	7-11
Treader	7-12

**8 Decals**

Decals	8-1
Decal Placement	8-3

**9 Glossary**

**10 Index**



## Frames

### Rigid Frame

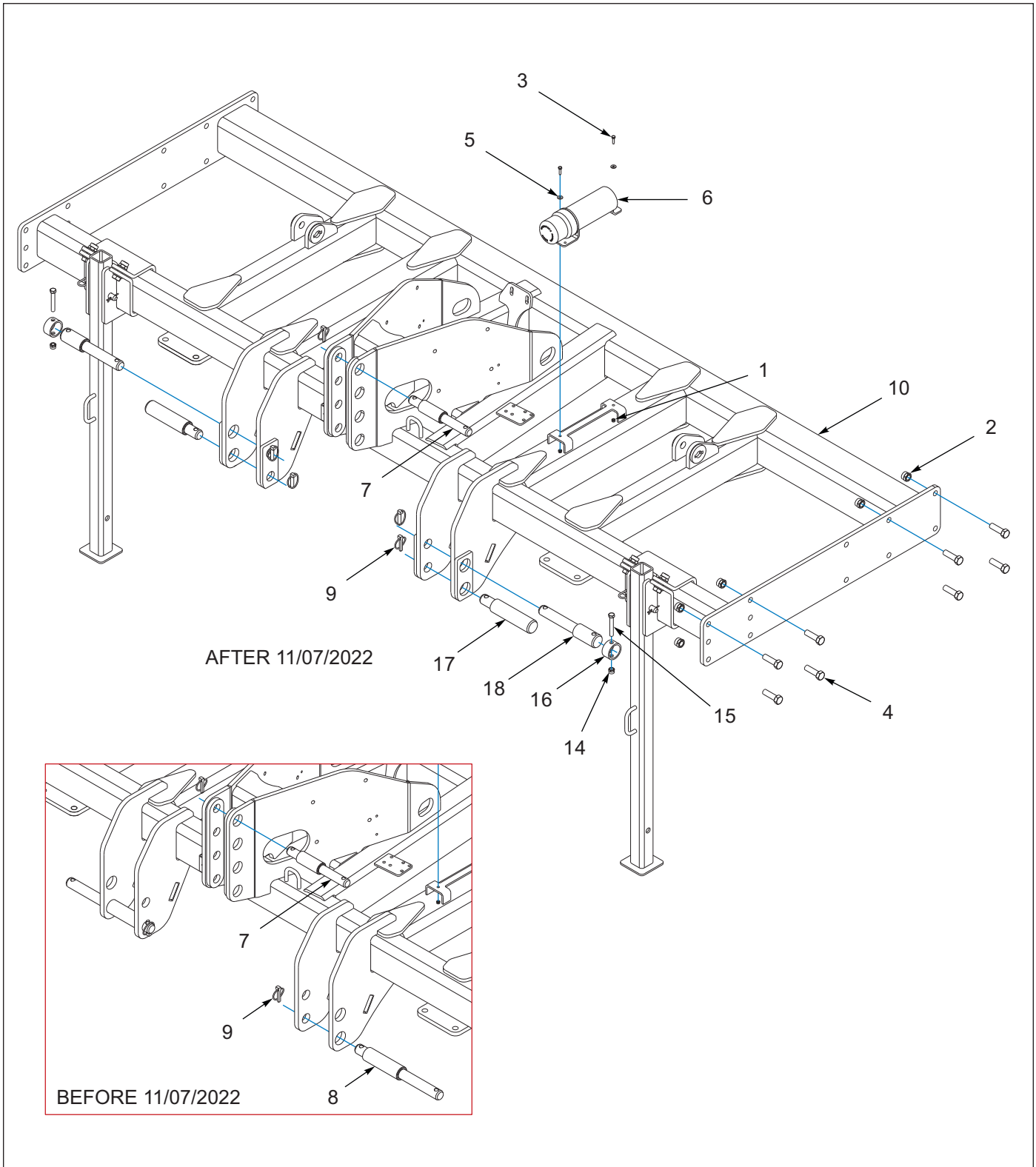


Figure 1-1: Rigid Frame (1 of 2)

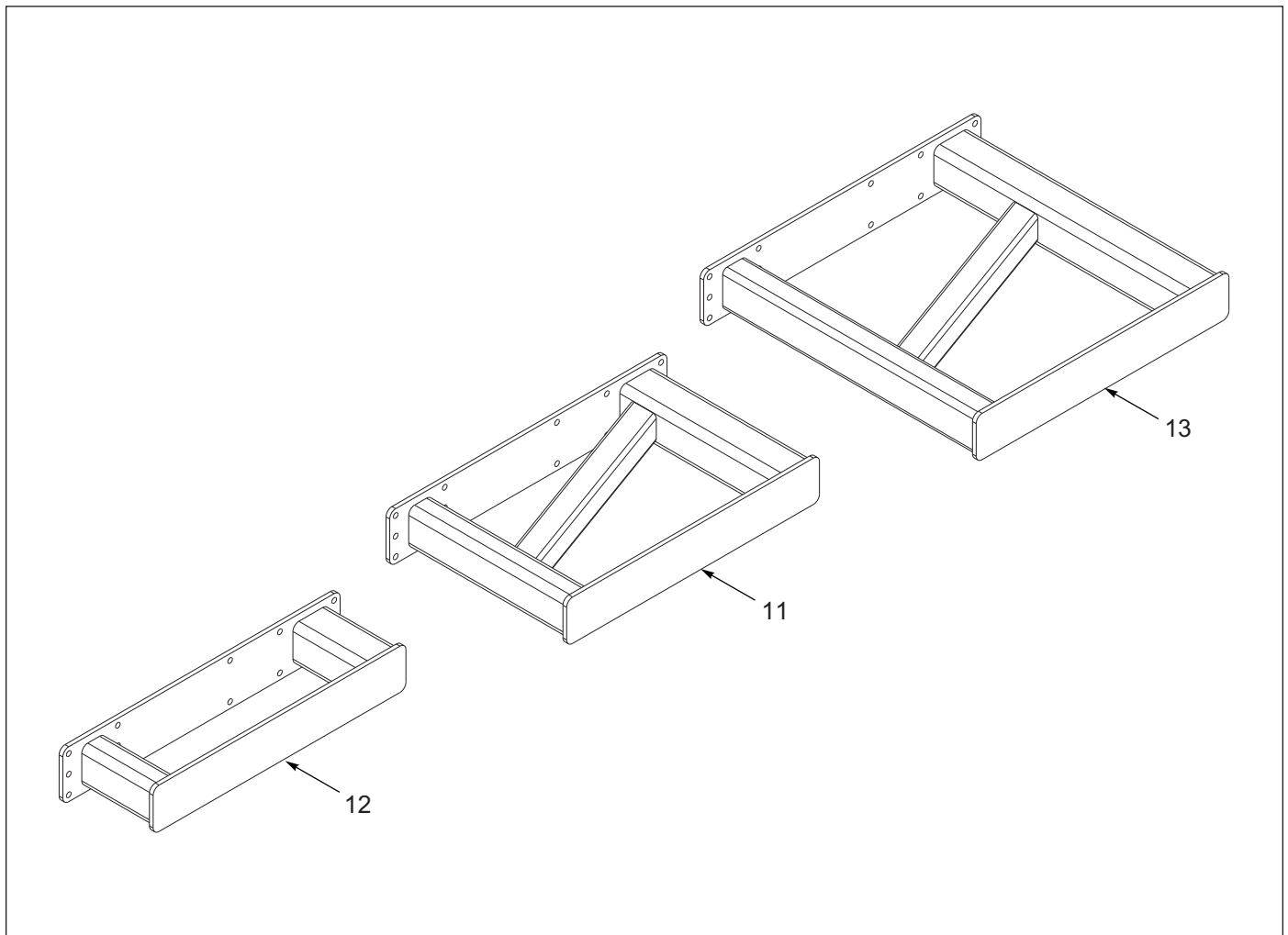


Figure 1-2: Rigid Frame (2 of 2)

## Rigid Frame

ITEM	PART NUMBER	DESCRIPTION	QTY.
1	1-512-010005-01	NUT,HEX,SLFLKG GRB 1/4-20	2
2	1-512-010005-15	NUT,HEX,SLFLKG GRB 3/4-10	16
3	1-654-010047-06	SCREW,HX CP 1/4-20UNCX1 GR5	2
4	1-654-010061-07	SCREW,HX CP 3/4-10UNCX2-1/2G5	8
5	1-861-010032-07	WASHER,FLAT 1/4 ZP	2
6	142753	MANUAL HOLDER	1
7	191655	PIN TOP LINK CAT II/III/IV-N	1
8	191656	PIN HITCH CAT II/III/IV-N (BEFORE 11/07/2022)	2
9	2-557-010417	PIN, LYNCH CAT III	5
10	210891	FRAME-RIGID, 2512 WLDMT	1
11	213207	EXTENSION WLDMT, 27IN (7 SHANKS)	2
12	213212	EXTENSION-12 INCH, WLDMT (6 SHANKS)	2
13	214353	FRAME-EXTENSION, LONG, WLDMT (8 SHANKS)	2
14	1-512-010005-09	NUT,HEX,SLFLKG, 1/2-13 GRB (AFTER 11/07/2022)	2
15	1-654-010055-10	SCREW HEX CAP 1/2-13X3-1/4GR5 (AFTER 11/07/2022)	2
16	221925	BUSHIN-HITCH LOWER (AFTER 11/07/2022)	2
17	240265	PIN-HITCH, CAT IV-N (AFTER 11/07/2022)	2
18	240266	PIN-HITCH, CAT III (AFTER 11/07/2022)	2

FRAMES

Folding Frame

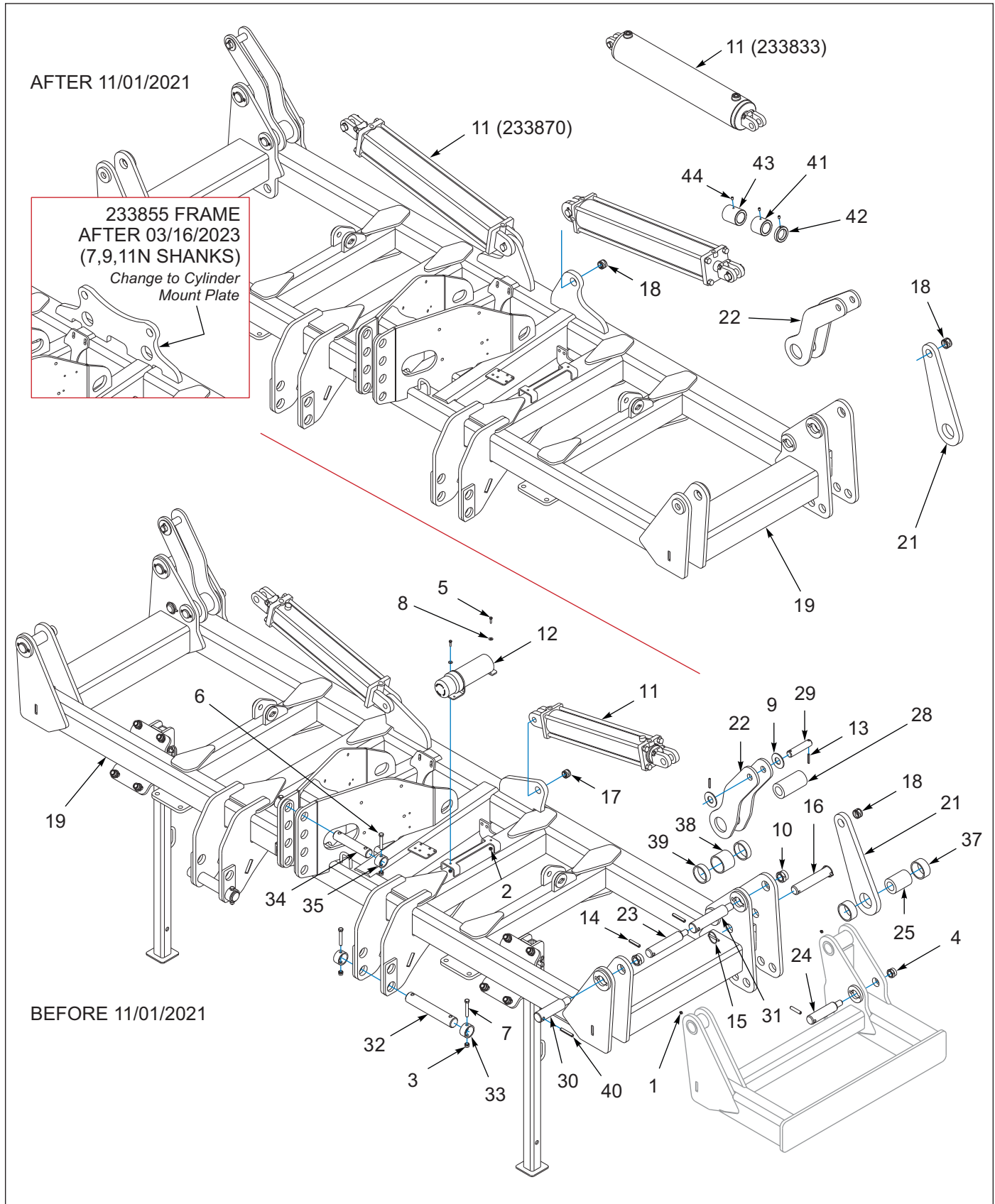


Figure 1-3: 2512 Folding Frame (1 of 2)

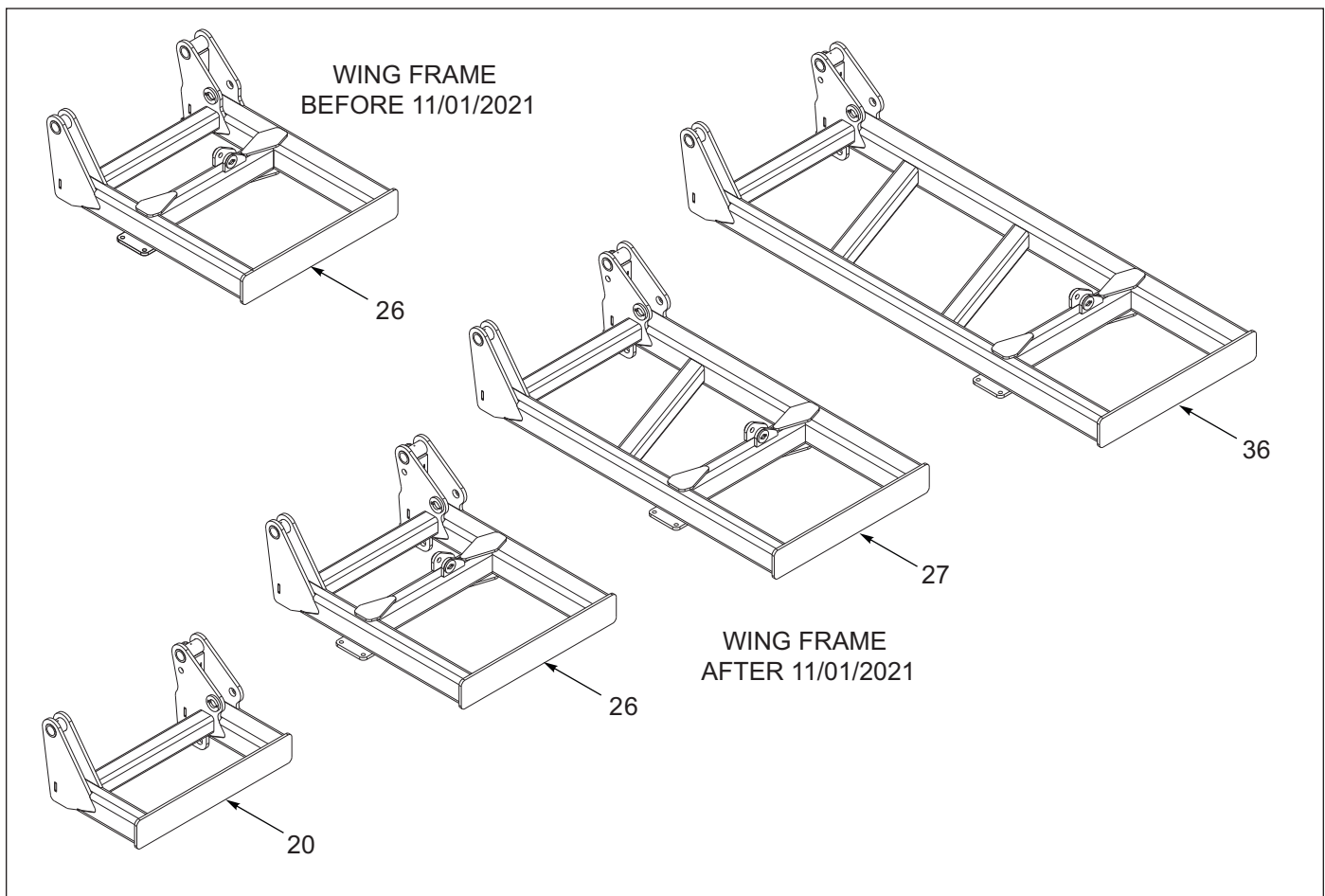


Figure 1-4: 2512 Folding Frame (2 of 2)

## Folding Frame

ITEM	PART NUMBER	DESCRIPTION	QTY.
1	1-298-010001-1	ZERK FITTING 1/4 SAE	4
2	1-512-010005-01	NUT,HEX,SLFLKG GRB 1/4-20	2
3	1-512-010005-09	NUT,HEX,SLFLKG, 1/2-13 GRB	6
4	1-512-010005-19	NUT 1-8 HEX SLF-LOCKING GRB	4
5	1-654-010047-06	SCREW,HX CP 1/4-20UNCX1 GR5	2
6	1-654-010055-09	SCREW,HX CP,1/2-13UNCX3 GR5	2
7	1-654-010055-10	SCREW HEX CAP 1/2-13X3-1/4GR5	4
8	1-861-010032-07	WASHER,FLAT 1/4 ZP	2
9	116100	WASHER 1-1/4 NAR FL ZP/CD (AFTER 11/01/2021)	4
9	1-861-010032-29	WASHER, FLAT 1-1/4 W ZP/CD (BEFORE 11/01/2021)	4
10	101385	NUT,HEX SLFLKG,1-1/4-7 GRB	4
11	233870	CYLINDER, HYD 5 X 30, 3000 PSI (SEE PAGE 4-23) (AFTER 11/01/2021 - 7, 8, 9, 10, 11, 11N, 12, 13, 14 SHANKS)	2
11	233833	CYLINDER-HYD, 6 X 30, 3000 PSI (SEE PAGE 4-25) (AFTER 11/01/2021 - 15, 16 SHANKS)	2
11	108331	CYLINDER, HYD 4X24 SP (BEFORE 11/01/2021) (SEE PAGE 4-26)	2
12	142753	MANUAL HOLDER	1
13	147072	PIN, SPRING SLOTTED 5/16 X 2	4
14	172802	PIN SPRING SLOTTED 1/2X2-1/2	4
15	172946	PIN LYNCH 5/16 X 2.00	4

## FRAMES

## Folding Frame

ITEM	PART NUMBER	DESCRIPTION	QTY.
16	179470	PIN 1-3/4X7-3/4, 2H	2
17	192890	BUSHING 1-3/8ODX1 IDX1 STEEL (BEFORE 11/01/2021)	2
18	2-150-010174	BUSHING,1-5/8X1-1/4X1 (BEFORE 11/01/2021, QTY=2)	4
19	233855	FRAME-FOLDING (5), 2512F WLDMT (AFTER 11/01/2021 - 7, 9, 11N SHANKS)	1
19	219955	FRAME-FOLDING (5), 2512F WLDMT (BEFORE 11/01/2021 - 7, 9, 11N SHANKS)	1
19	233856	FRAME-FOLDING (6), 2512F WLDMT (AFTER 11/01/2021 - 8, 10, 12 SHANKS)	1
19	221314	FRAME-FOLDING (6), 2512F WLDMT (BEFORE 11/01/2021 - 8, 10, 12 SHANKS)	1
19	233857	FRAME-FOLDING (7), 2512F WLDMT (AFTER 11/01/2021 - 11, 13, 15 SHANKS)	1
19	221939	FRAME-FOLDING (7), 2512F WLDMT (BEFORE 11/01/2021 - 11, 13, 15 SHANKS)	1
19	233858	FRAME-FOLDING (8), 2512F WLDMT (AFTER 11/01/2021 - 14, 16 SHANKS)	1
19	221943	FRAME-FOLDING (8), 2512F WLDMT (BEFORE 11/01/2021 - 14, 16 SHANKS)	1
20	233859	FRAME-WING, LH, (1) WLDMT (LEFT ONLY) (SHOWN) (AFTER 11/01/2021 - 7 & 8 SHANKS)	1
20	219973	FRAME-WING, LH, (1) WLDMT (LEFT ONLY) (SHOWN) (BEFORE 11/01/2021 - 7 & 8 SHANKS)	1
20	233860	FRAME-WING, RH, (1) WLDMT (RIGHT ONLY) (AFTER 11/01/2021 - 7 & 8 SHANKS)	1
20	219974	FRAME-WING, RH, (1) WLDMT (RIGHT ONLY) (BEFORE 11/01/2021 - 7 & 8 SHANKS)	1
21	233830	LINK-WING FOLD (AFTER 11/01/2021)	2
21	219977	LINK-WING FOLD (BEFORE 11/01/2021)	2
22	233852	LINK-WING FOLD (AFTER 11/01/2021 - 11N, 12, 13, 14, 15, 16 SHANKS)	4
22	233828	LINK-WING FOLD (AFTER 11/01/2021 - 7, 8, 9, 10, 11, SHANKS)	4
22	219978	LINK-WING FOLD (BEFORE 11/01/2021)	4
23	219980	PIN, 1-3/4 X 7-1/2, STEP	2
24	219981	PIN, 1-3/4 X 5-3/4, STEP	2
25	219983	BUSHING, 3.0 X 1.78 X 4-3/32	2
26	233861	FRAME-WING, LH, (2), WLDMT (LEFT ONLY) (SHOWN) (AFTER 11/01/2021 - 9, 10, 11 SHANKS)	1
26	219991	FRAME-WING, LH, (2), WLDMT (LEFT ONLY) (SHOWN) (BEFORE 11/01/2021 - 9, 10, 11 SHANKS)	1
26	233862	FRAME-WING, RH, (2), WLDMT (RIGHT ONLY) (AFTER 11/01/2021 - 9, 10, 11 SHANKS)	1
26	219992	FRAME-WING, RH, (2), WLDMT (RIGHT ONLY) (BEFORE 11/01/2021 - 9, 10, 11 SHANKS)	1
27	233865	FRAME-WING, LH, (3), WLDMT (LEFT ONLY) (SHOWN) (AFTER 11/01/2021 - 11N, 11, 12, 13, 14, 15, 16 SHANKS)	1
27	219995	FRAME-WING, LH, (3), WLDMT (LEFT ONLY) (SHOWN) (BEFORE 11/01/2021 - 11N, 11, 12, 13, 14, 15, 16 SHANKS)	1
27	233866	FRAME-WING, RH, (3), WLDMT (RIGHT ONLY) (AFTER 11/01/2021 - 11, 12, 13, 14, 15, 16 SHANKS)	1

## Folding Frame

ITEM	PART NUMBER	DESCRIPTION	QTY.
27	219996	FRAME-WING, RH, (3), WLDMT (RIGHT ONLY) (BEFORE 11/01/2021 - 11, 12, 13, 14, 15, 16 SHANKS)	1
28	221311	BUSHING, 3.0 X 1.78 X 5-7/8	2
29	221312	PIN, 1-1/4 X 5-1/2 (4-7/16)	2
30	221318	PIN-SHOULDER, 2X5-1/2	2
31	221319	PIN-SHOULDER, 2X7-1/2	2
32	221924	PIN-HITCH, LOWER CAT IV	2
33	221925	BUSHIN-HITCH LOWER	4
34	221926	PIN-HITCH, UPPER CAT IV	1
35	221927	BUSHING-HITCH UPPER	2
36	233867	FRAME-WING, LH, (4), WLDMT (LEFT ONLY) (AFTER 11/01/2021 - 15, 16 SHANKS) (SHOWN)	1
36	221947	FRAME-WING, LH, (4), WLDMT (LEFT ONLY) (BEFORE 11/01/2021 - 15, 16 SHANKS) (SHOWN)	1
36	233868	FRAME-WING, RH, (4), WLDMT (RIGHT ONLY) (AFTER 11/01/2021 - 15, 16 SHANKS)	1
36	221948	FRAME-WING, RH, (4), WLDMT (RIGHT ONLY) (BEFORE 11/01/2021 - 15, 16 SHANKS)	1
37	224450	BUSHING, 3.5X3.04X1-1/2, PVC	4
38	224451	BUSHING, 3.5X3.04X2-3/4, PVC	2
39	224452	BUSHING, 3.5X3.04X1, PVC	4
40	5D979	ROLL PIN 1/2 X 3	4
41	235888	STOP-CYL, 2 ROD X 2-5/8 (USED W/233870 HYD CYL) (AFTER 06/07/2023 - 7, 8, 11N, 12, 13, 14 ALL CLAMP TYPES) (11/01/2021 TO 06/07/2023 - 7, 8, 12, 14, 14 ALL - 9, 10, 11 SPRING A/R)	2
42	235889	STOP-CYL, 2 ROD X 5/8 (USED W/233870 HYD CYL) (AFTER 06/07/2023 - 9, 10, 11 ALL CLAMP TYPES) (11/01/2021 TO 06/07/2023 - 9, 10, 11 HYD A/R, RSB)	2
43	235892	STOP-CYL, 2 ROD X 3-7/16 (USED W/233870 HYD CYL) (AFTER 11/01/2021 - 11N ALL CLAMP TYPES)	2
44	122709	SCREW,SET,HXSKTCPPT 3/8-16X1/2 (AFTER 11/01/2021)	2
45	235887	STOP-CYL, 2-1/2 ROD X 3-5/16 (USED W/233833 HYD CYL) (AFTER 11/01/2021 - 15, 16 ALL CLAMP TYPES)	2
46	233795	STOP-CYLINDER,1-3/4 ROD,X2-1/4 (USED W/108331 HYD CYL) (06/02/2021 TO 11/01/2021 - 7, 8 ALL CLAMP TYPES)	2
47	222011	BUSHING-CYL STOP,1-3/4 X 1-3/8L (USED W/108331 HYD CYL) (06/02/2021 TO 11/01/2021 - 9, 10, 11 HYD A/R, RSB)	2
48	233795	STOP-CYLINDER,1-3/4 ROD,X2-1/4 (USED W/108331 HYD CYL) (06/02/2021 TO 11/01/2021 - 9, 10, 11 SPRING A/R)	2

# Auto Reset Shank Clamp, Spring (AFT. 01/01/2024)

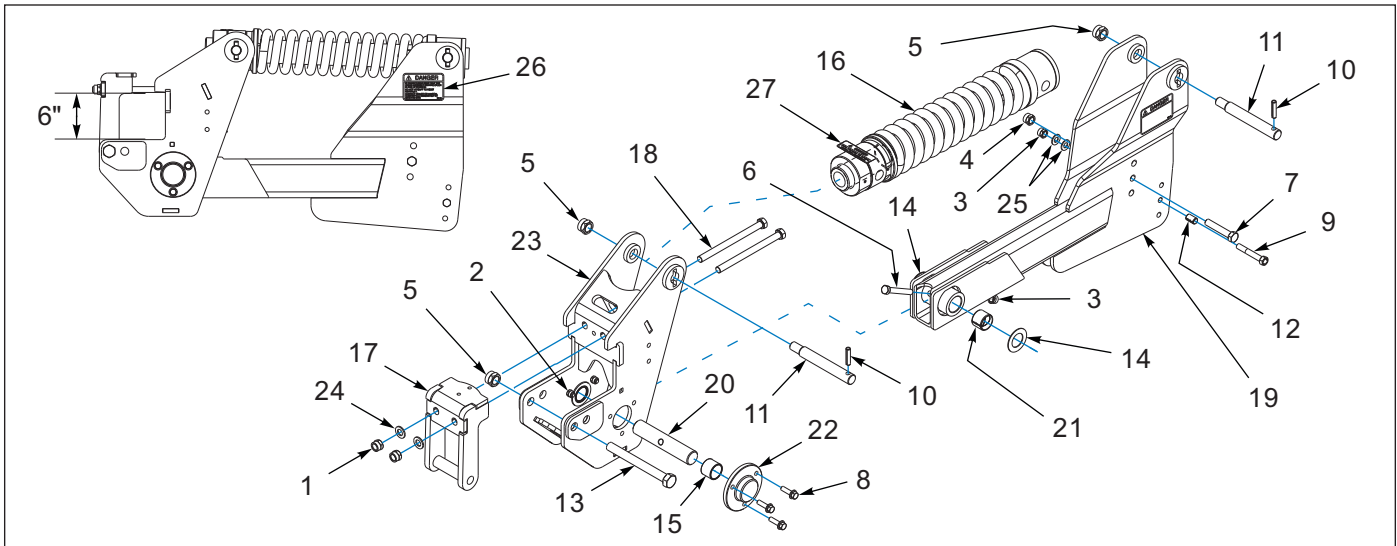


Figure 1-5: Auto Reset Shank Clamp, Spring (AFT. 01/01/2024)

# Auto Reset Shank Clamp, Spring (AFT. 01/01/2024)

ITEM	PART NUMBER	DESCRIPTION	QTY.
	243130	CLAMP-SHANK, ASM W/CHROME PIN (INCLUDES ITEMS 1-24) (FOR CYL. STOP USED W/CLAMP TYPE, SEE "FOLDING FRAME")	1
1	1-512-010002-16	NUT,3/4-16 HEX,SLFLKG, GRC	2
2	1-512-010005-09	NUT,HEX,SLFLKG, 1/2-13 GRB	6
3	1-512-010005-13	NUT,HEX SLFLKG GRB 5/8-11	2
4	1-512-010005-15	NUT,HEX,SLFLKG GRB 3/4-10	1
5	1-512-010005-19	NUT 1-8 HEX SLF-LOCKING GRB	3
6	1-654-010059-14	SCREW HX CP,5/8-11UNCX4-1/2G5	1
7	1-654-010061-13	SCREW,HX CP 3/4-10UNCX4 GR5	1
8	243054	SCREW FLG HD 1/2-13X1-3/4 GR8	6
9	172829	SCREW HX CP 5/8-11X4 GR8 (REPLACE WITH 253721)	1
9	253721	SCREW HEX CAP,5/8-11UNC-4,GR9 (AFTER 01/20/2026)	1
10	141251	SPRING PIN,SLOTTED 1/2X2-1/4	2
11	144457	PIN, SHANK (1-1/4 X 7-1/4)	2
12	150244	BUSHING,CNX-5/8 X 3/4 X 1-1/4	1
13	172581	SCREW HEX CAP 1-8UNCX9.5 GR8	1
14	195566	WASHER THRUST 1-3/4 14 GA	2
15	210879	BEARING-HEF, 2.004X1.76X1-1/2	2
16	218785	SPRING-CLAMP, SHANK, ASSY	1
17	221412	GATE-CLAMP WLDMT	1
18	239516	SCREW, HXCP 3/4-16UNFX10 GR8	2
19	240314	SHANK MOUNT, 1-1/4, WLDMT	1
20	243129	PIN, SHANK PIVOT NITRO (9 X 1-3/4)	1
21	240342	BUSHING,SPRG 2 X 1-3/4 X 1-1/2	2
22	241980	CAP, BEARING STEEL 1-3/4 PIN	2
23	243128	CLAMP, SHANK WLDMT	1
24	622-3511-008	WASHER, FLAT 3/4 MIL-CARB SAE	2
25	1-861-010032-18	WASHER, FLAT 5/8 N ZP/CD	2
26	207142	DECAL, DANGER STUCK SHANK	1
27	2-573-010469	DECAL, DANGER SPRING	1

## Auto Reset Shank Clamp, Spring - Setback (AFT. 01/01/2024)

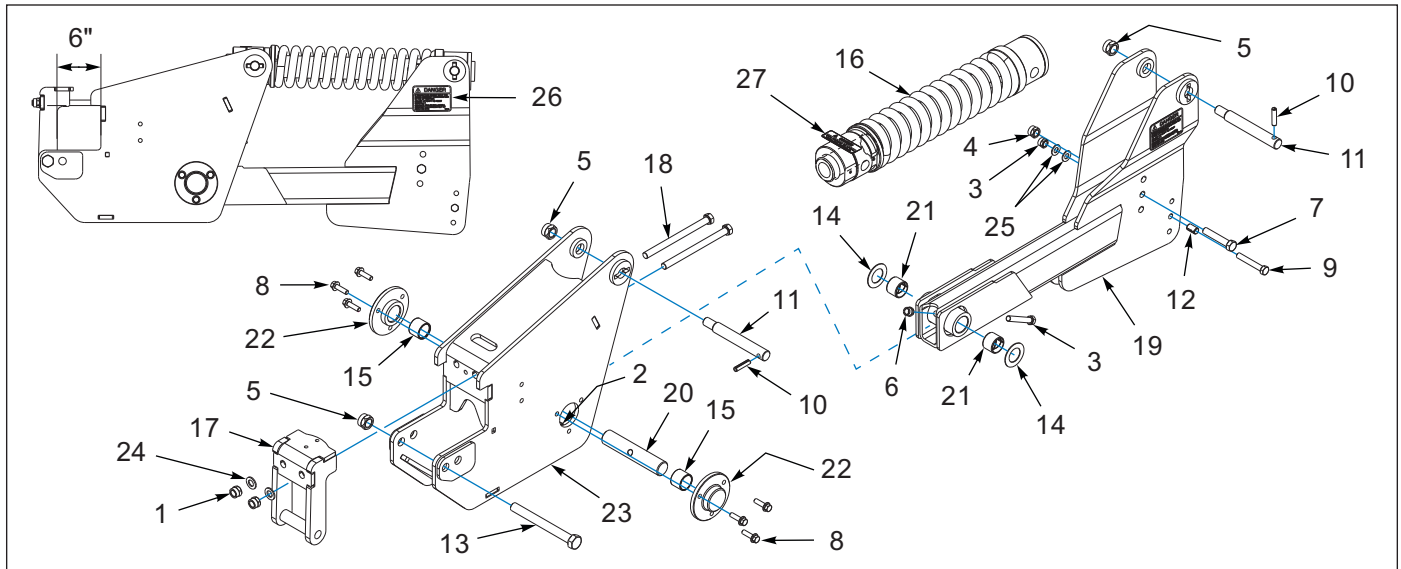


Figure 1-6: 2512 Auto Reset Shank Clamp, Spring - Setback (AFTER 01/01/2024)

## Auto Reset Shank Clamp, Spring - Setback (AFT. 01/01/2024)

ITEM	PART NUMBER	DESCRIPTION	QTY.
	242821	CLAMP-SHANK, SETBACK, ASM (INCLUDES ITEMS 1-23) (FOR CYL. STOP USED W/CLAMP TYPE, SEE "FOLDING FRAME")	1
1	1-512-010002-16	NUT,3/4-16 HEX,SLFLKG, GRC	2
2	1-512-010005-09	NUT,HEX,SLFLKG, 1/2-13 GRB	6
3	1-512-010005-13	NUT,HEX SLFLKG GRB 5/8-11	2
4	1-512-010005-15	NUT,HEX,SLFLKG GRB 3/4-10	1
5	1-512-010005-19	NUT 1-8 HEX SLF-LOCKING GRB	3
6	1-654-010059-13	SCREW HEX CAP 5/8-11X4UNC GR5	1
7	1-654-010061-13	SCREW,HX CP 3/4-10UNCX4 GR5	1
8	243054	SCREW FLNG HD 1/2-13X1-3/4 GR8	6
9	172829	SCREW HX CP 5/8-11X4 GR8	1
10	141251	SPRING PIN,SLOTTED 1/2X2-1/4	2
11	144457	PIN, SHANK (1-1/4 X 7-1/4)	2
12	150244	BUSHING,CNX-5/8 X 3/4 X 1-1/4	1
13	172581	SCREW HEX CAP 1-8UNCX9.5 GR8	1
14	195566	WASHER THRUST 1-3/4 14 GA	2
15	210879	BEARING-HEF, 2.004X1.76X1-1/2	2
16	218785	SPRING-CLAMP, SHANK, ASSY	1
17	221412	GATE-CLAMP WLDMT	1
18	239516	SCREW, HXCP 3/4-16UNFX10 GR8	2
19	240314	SHANK MOUNT, 1-1/4, WLDMT	1
20	243129	PIN, SHANK PIVOT NITRO (1-3/4 DIA)	1
21	240342	BUSHING,SPRG 2 X 1-3/4 X 1-1/2	2
22	239522	CAP, CASTING MACHINED	2
23	242817	CLAMP-SHANK, SETBACK, WLDMNT	1
24	622-3511-008	WASHER, FLAT 3/4 MIL-CARB SAE	2
25	1-861-010032-18	WASHER, FLAT 5/8 N ZP/CD	2
26	207142	DECAL, DANGER STUCK SHANK	1
27	2-573-010469	DECAL, DANGER SPRING	1

### Auto Reset Shank Clamp, Spring (01/16/23 TO 01/01/24)

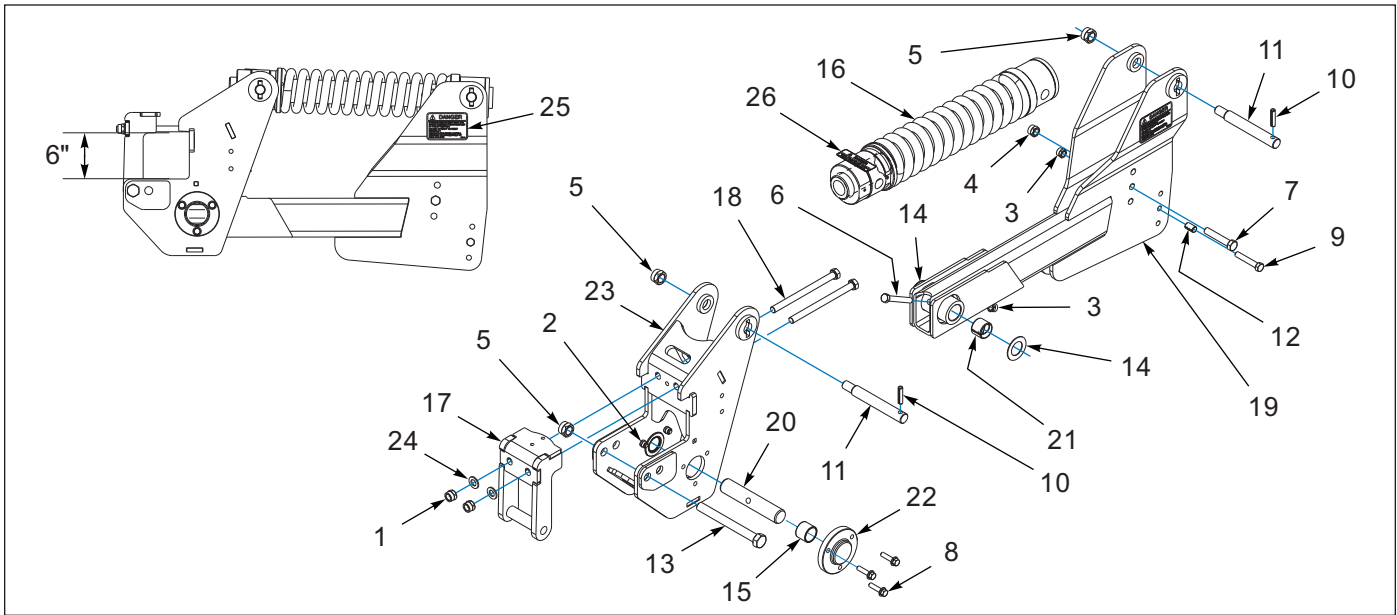


Figure 1-7: Auto Reset Shank Clamp, Spring (01/16/2023 TO 01/01/2024)

### Auto Reset Shank Clamp, Spring (01/16/23 TO 01/01/24)

ITEM	PART NUMBER	DESCRIPTION	QTY.
	243130	CLAMP-SHANK, ASM W/CHROME PIN (INCLUDES ITEMS 1-24) (FOR CYL. STOP USED W/CLAMP TYPE, SEE "FOLDING FRAME")	1
1	1-512-010002-16	NUT,3/4-16 HEX,SLFLKG, GRC	2
2	1-512-010005-09	NUT,HEX,SLFLKG, 1/2-13 GRB	6
3	1-512-010005-13	NUT,HEX SLFLKG GRB 5/8-11	2
4	1-512-010005-15	NUT,HEX,SLFLKG GRB 3/4-10	1
5	1-512-010005-19	NUT 1-8 HEX SLF-LOCKING GRB	3
6	1-654-010059-14	SCREW HX CP,5/8-11UNCX4-1/2G5	1
7	1-654-010061-13	SCREW,HX CP 3/4-10UNCX4 GR5	1
8	1-655-010001-05	SCREW,FLG HD 1/2-13X2 GR8 ZP	6
9	138567	SCREW,HX CP 5/8-11UNCX3-1/2G8	1
10	141251	SPRING PIN,SLOTTED 1/2X2-1/4	2
11	144457	PIN, SHANK (1-1/4 X 7-1/4)	2
12	150244	BUSHING,CNX-5/8 X 3/4 X 1-1/4	1
13	172581	SCREW HEX CAP 1-8UNCX9.5 GR8	1
14	195566	WASHER THRUST 1-3/4 14 GA	2
15	210879	BEARING-HEF, 2.004X1.76X1-1/2	2
16	218785	SPRING-CLAMP, SHANK, ASSY	1
17	221412	GATE-CLAMP WLDMT	1
18	239516	SCREW, HXCP 3/4-16UNFX10 GR8	2
19	240314	SHANK MOUNT, 1-1/4, WLDMT	1
20	240317	PIN, SHANK PIVOT 1-3/4 DIA	1
21	240342	BUSHING,SPRG 2 X 1-3/4 X 1-1/2	2
22	241980	CAP, BEARING STEEL 1-3/4 PIN	2
23	243128	CLAMP, SHANK WLDMT	1
24	622-3511-008	WASHER, FLAT 3/4 MIL-CARB SAE	2
25	207142	DECAL, DANGER STUCK SHANK	1
26	2-573-010469	DECAL, DANGER SPRING	1

### Auto Reset Shank Clamp, Spring - Setback (01/16/23 TO 01/01/24)

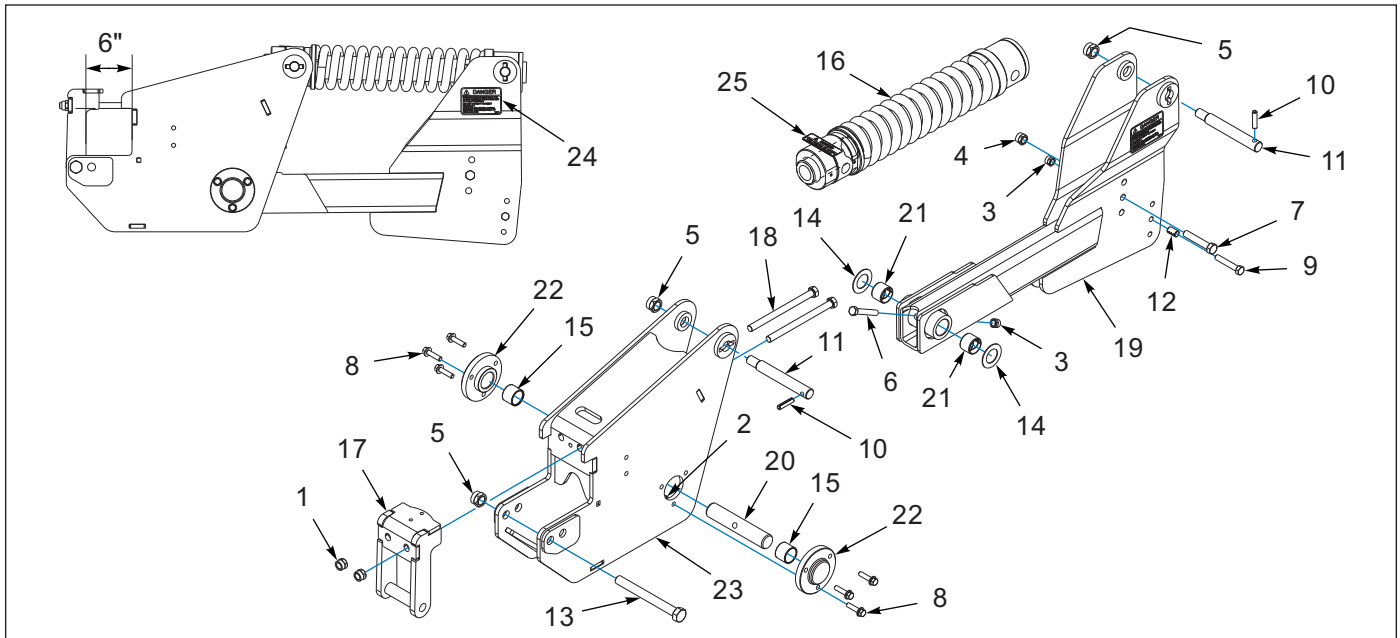


Figure 1-8: 2512 Auto Reset Shank Clamp, Spring - Setback (01/16/2023 TO 01/01/2024)

### Auto Reset Shank Clamp, Spring - Setback (01/16/23 TO 01/01/24)

ITEM	PART NUMBER	DESCRIPTION	QTY.
	242821	CLAMP-SHANK, SETBACK, ASM (INCLUDES ITEMS 1-23) (FOR CYL. STOP USED W/CLAMP TYPE, SEE "FOLDING FRAME")	1
1	1-512-010002-16	NUT,3/4-16 HEX,SLFLKG, GRC	2
2	1-512-010005-09	NUT,HEX,SLFLKG, 1/2-13 GRB	6
3	1-512-010005-13	NUT,HEX SLFLKG GRB 5/8-11	2
4	1-512-010005-15	NUT,HEX,SLFLKG GRB 3/4-10	1
5	1-512-010005-19	NUT 1-8 HEX SLF-LOCKING GRB	3
6	1-654-010059-13	SCREW HEX CAP 5/8-11X4UNC GR5	1
7	1-654-010061-13	SCREW,HX CP 3/4-10UNCX4 GR5	1
8	249400	OBS SCREW FLNG HD 1/2-13X1-3/4 GR8 ZP	6
9	138567	SCREW,HX CP 5/8-11UNCX3-1/2G8	1
10	141251	SPRING PIN,SLOTTED 1/2X2-1/4	2
11	144457	PIN, SHANK (1-1/4 X 7-1/4)	2
12	150244	BUSHING,CNX-5/8 X 3/4 X 1-1/4	1
13	172581	SCREW HEX CAP 1-8UNCX9.5 GR8	1
14	195566	WASHER THRUST 1-3/4 14 GA	2
15	210879	BEARING-HEF, 2.004X1.76X1-1/2	2
16	218785	SPRING-CLAMP, SHANK, ASSY	1
17	221412	GATE-CLAMP WLDMT	1
18	239516	SCREW, HXCP 3/4-16UNFX10 GR8	2
19	240314	SHANK MOUNT, 1-1/4, WLDMT	1
20	243129	PIN, SHANK PIVOT NITRO (1-3/4 DIA)	1
21	240342	BUSHING,SPRG 2 X 1-3/4 X 1-1/2	2
22	239522	CAP, CASTING MACHINED	2
23	242817	CLAMP-SHANK, SETBACK, WLDMNT	1
24	207142	DECAL, DANGER STUCK SHANK	1
25	2-573-010469	DECAL, DANGER SPRING	1

### Auto Reset Shank Clamp, Spring (BEF. 01/16/2023)

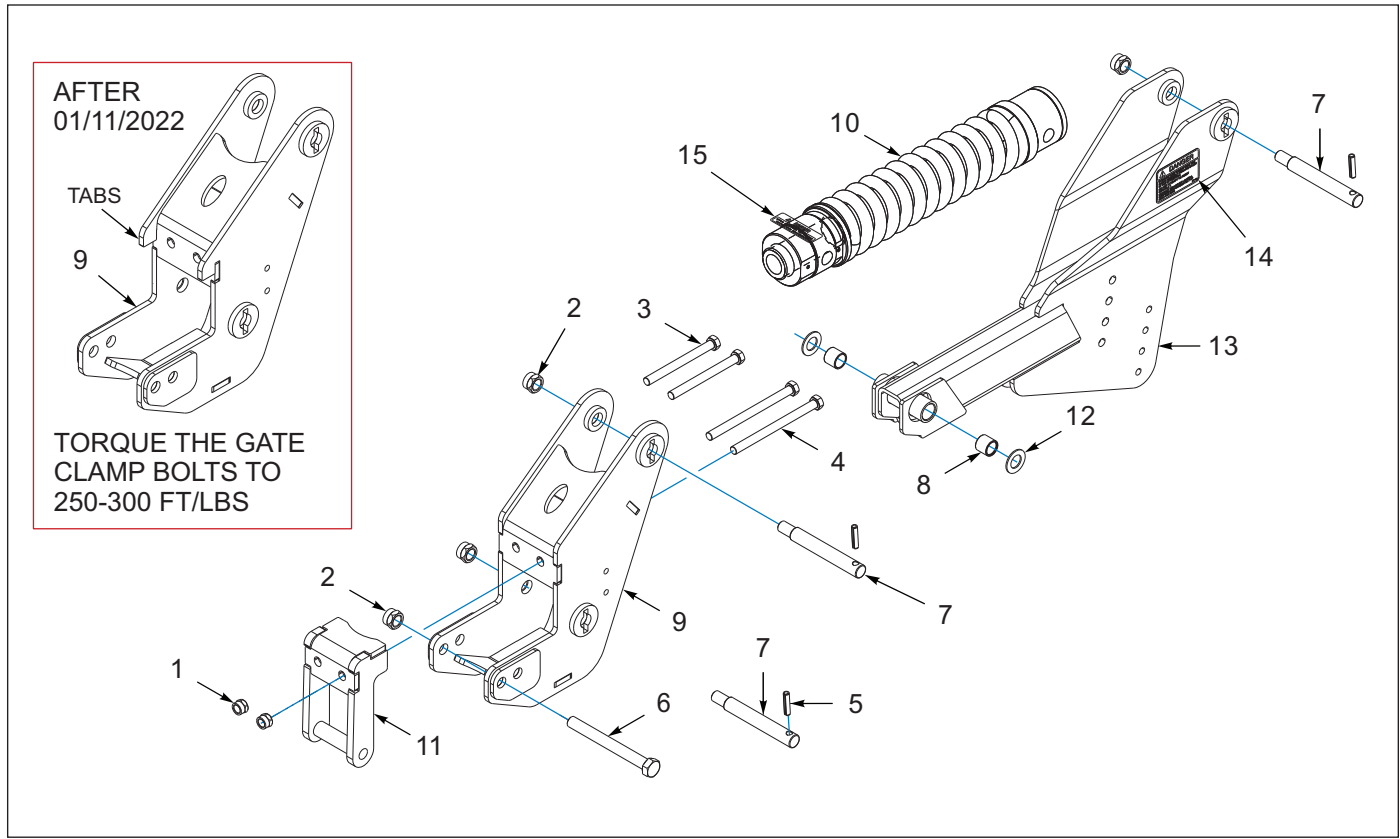


Figure 1-9: Auto Reset Shank Clamp, Spring (BEFORE 01/16/2023)

### Auto Reset Shank Clamp, Spring (BEF. 01/16/2023)

ITEM	PART NUMBER	DESCRIPTION	QTY.	
			6X4 Tool Bar	6X6 Tool Bar
	214397	CLAMP-SHANK, ASSY (INCLUDES ITEMS 1-13) (FOR CYL. STOP USED W/CLAMP TYPE, SEE "FOLDING FRAME")	1	1
1	1-512-010005-15	NUT,HEX,SLFLKG GRB 3/4-10	2	2
2	1-512-010005-19	NUT 1-8 HEX SLF-LOCKING GRB	4	4
3	162249	SCREW, HX CP,3/4-10UNCX8 GR8 (AFT. 01/11/2022)	2	--
3	1-654-010061-21	SCREW,HXCP 3/4-10UNCX10GR5 (BEF. 01/11/2022)	2	--
4	1-654-010032-25	SCREW HX CP 3/4-10X10 GR8 (AFT. 01/11/2022)	--	2
4	1-654-010061-25	SCREW,HXCP 3/4-10UNCX10GR5 (BEF. 01/11/2022)	--	2
5	141251	SPRING PIN,SLOTTED 1/2X2-1/4	3	3
6	172581	SCREW HEX CAP 1-8UNCX9.5 GR8	1	1
7	144457	PIN, SHANK (1-1/4 X 7-1/4) (AFTER 09/01/2021)	3	3
7	210887	PIN, 1-1/4 X 7-1/4, STEP (BEFORE 09/01/2021)	3	3
8	217196	BEARING-HEF,1.5 X 1.25 X 1.3	2	2
9	217969	CLAMP-SHANK, 6X6 TOOLBAR,WLDMT	1	1
10	218785	SPRING-CLAMP, SHANK, ASSY	1	1
11	221412	GATE-CLAMP WLDMT	1	1
12	221428	WASHER-2-1/4OD,1-1/4ID,1/8UHMW	2	2
13	221433	CLAMP-SHANK, 1-1/4, WLDMT	1	1
14	207142	DECAL, DANGER STUCK SHANK	1	1
15	2-573-010469	DECAL, DANGER SPRING	1	1

### Auto Reset Shank Clamp, Spring - Setback (BEF. 01/16/2023)

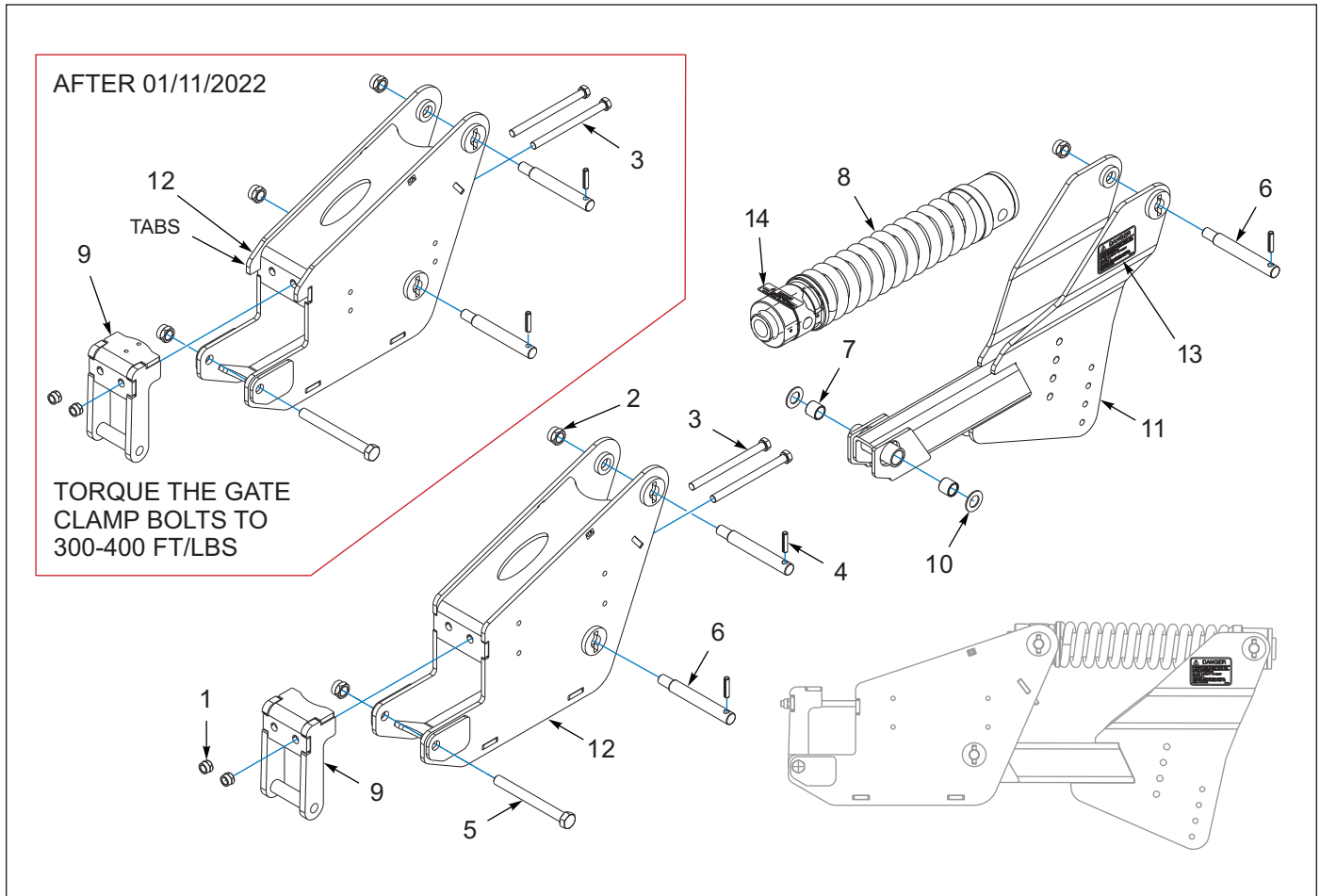


Figure 1-10: 2512 Auto Reset Shank Clamp, Spring - Setback (BEF. 01/16/2023)

### Auto Reset Shank Clamp, Spring - Setback (BEF. 01/16/2023)

ITEM	PART NUMBER	DESCRIPTION	QTY.
	221445	CLAMP-SHANK, SETBACK, ASSY (INCLUDES ITEMS 1-12) (FOR CYL. STOP USED W/CLAMP TYPE, SEE "FOLDING FRAME")	1
1	1-512-010005-15	NUT,HEX,SLFLKG GRB 3/4-10	2
2	1-512-010005-19	NUT 1-8 HEX SLF-LOCKING GRB	4
3	1-654-010032-25	SCREW HX CP 3/4-10X10 GR8 (AFTER 01/11/2022)	2
3	1-654-010061-25	SCREW,HX CP 3/4-10UNCX10 GR5 (BEFORE 01/11/2022)	2
4	141251	SPRING PIN,SLOTTED 1/2X2-1/4	3
5	172581	SCREW HEX CAP 1-8UNCX9.5 GR8	1
6	144457	PIN, SHANK (1-1/4 X 7-1/4) (AFTER 09/01/2021)	3
6	210887	PIN, 1-1/4 X 7-1/4, STEP (BEFORE 09/01/2021)	3
7	217196	BEARING-HEF,1.5 X 1.25 X 1.3	2
8	218785	SPRING-CLAMP, SHANK, ASSY	1
9	221412	GATE-CLAMP WLDMT	1
10	221428	WASHER-2-1/4OD,1-1/4ID,1/8UHMW	2
11	221433	CLAMP-SHANK, 1-1/4, WLDMT	1
12	221441	CLAMP-SHANK, SETBACK, WLDMT	1
13	207142	DECAL, DANGER STUCK SHANK	1
14	2-573-010469	DECAL, DANGER SPRING	1

### Auto Reset Shank Clamp, Hydraulic (AFT. 02/07/2025)

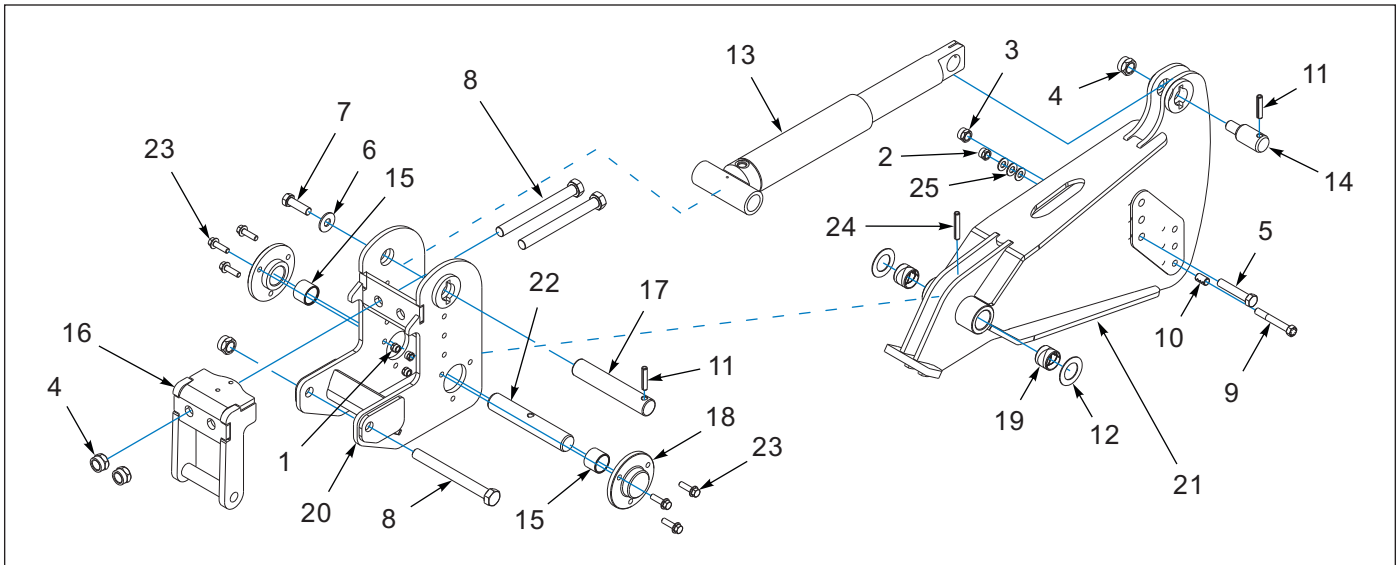


Figure 1-11: Auto Reset Shank Clamp, Hydraulic (AFT. 02/07/2025)

### Auto Reset Shank Clamp, Hydraulic (AFT. 02/07/2025)

ITEM	PART NUMBER	DESCRIPTION	QTY.
	242824	CLAMP-SHANK, HYD, ASM (INCLUDES ITEMS 1-24) (FOR CYL. STOP USED W/CLAMP TYPE, SEE "FOLDING FRAME")	1
1	1-512-010005-19	NUT 1-8 HEX SLF-LOCKING GRB	6
2	1-512-010005-13	NUT,HEX SLFLKG GRB 5/8-11	1
3	1-512-010005-15	NUT,HEX,SLFLKG GRB 3/4-10	1
4	1-512-010005-19	NUT 1-8 HEX SLF-LOCKING GRB	4
5	1-654-010061-13	SCREW,HX CP 3/4-10UNCX4 GR5	1
6	1-861-010032-21	WASHER, FLAT 3/4 W ZP/CD	1
7	104483	SCREW 3/4-10X2-1/2 HXCP ZPGR8	1
8	134964	SCREW,HEX CAP,1-8UNCX10, GR8	3
9	253822	SCREW HEX CAP,5/8-11X4-1/2,GR9 (AFTER 01/20/2026)	1
9	122962	SCREW, HEX CP 5/8-11X4-1/2GR8 (06/2025 TO 01/2026)	1
9	172829	SCREW HX CP 5/8-11X4 GR8 (BEFORE 06/05/2025)	1
10	150244	BUSHING,CNX-5/8 X 3/4 X 1-1/4	1
11	172802	PIN SPRING SLOTTED 1/2X2-1/2	2
12	195566	WASHER THRUST 1-3/4 14 GA	2
13	209372	CYLINDER-SA,3 X 9-1/2 DISP (SEE PAGE 4-22)	1
14	210874	PIN, 1-3/4 X 2-5/16, STEP	1
15	210879	BEARING-HEF, 2.004X1.76X1-1/2	2
16	218755	GATE-CLAMP WLDMT	1
17	239243	PIN-PIVOT, SHANK, 1-3/4 X 9	1
18	239522	CAP, CASTING MACHINED	2
19	240342	BUSHING,SPRG 2 X 1-3/4 X 1-1/2	2
20	242823	MOUNT-SHANK CLAMP, WELDMENT	1
21	242825	CLAMP-SHANK, 1-1/4, WELDMENT	1
22	242827	PIN-PIVOT, SHANK, 1-3/4 DIA	1
23	243054	SCREW FLG HD 1/2-13X1-3/4 GR8	6
24	5D979	ROLL PIN 1/2 X 3	1
25	1-861-010032-18	WASHER, FLAT 5/8 N ZP/CD (AFTER 06/05/2025)	3

### Auto Reset Shank Clamp, Hydraulic - Setback (AFT. 02/07/2025)

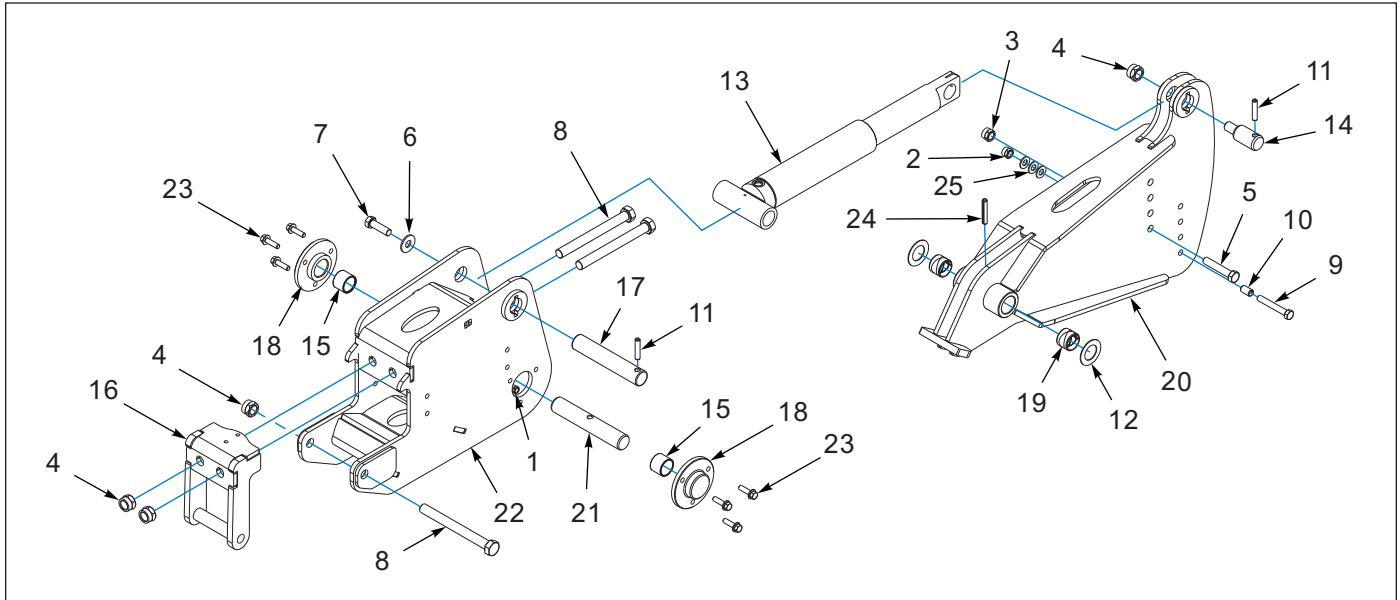


Figure 1-12: Auto Reset Shank Clamp, Hydraulic - Setback (AFT. 02/07/2025)

### Auto Reset Shank Clamp, Hydraulic - Setback (AFT. 02/07/2025)

ITEM	PART NUMBER	DESCRIPTION	QTY.
	242850	CLAMP-SHANK, SEBTACK, ASM (FOR CYL. STOP USED W/CLAMP TYPE, SEE "FOLDING FRAME")	1
1	1-512-010005-09	NUT,HEX,SLFLKG, 1/2-13 GRB	6
2	1-512-010005-13	NUT,HEX SLFLKG GRB 5/8-11	1
3	1-512-010005-15	NUT,HEX,SLFLKG GRB 3/4-10	1
4	1-512-010005-19	NUT 1-8 HEX SLF-LOCKING GRB	4
5	1-654-010061-13	SCREW,HX CP 3/4-10UNCX4 GR5	1
6	1-861-010032-21	WASHER, FLAT 3/4 W ZP/CD	1
7	104483	SCREW 3/4-10X2-1/2 HXCP ZPGR8	1
8	134964	SCREW,HEX CAP,1-8UNCX10, GR8	3
9	122962	SCREW, HEX CP 5/8-11X4-1/2GR8 (AFTER 06/05/2025)	1
9	138567	SCREW,HX CP 5/8-11UNCX3-1/2G8 (BEFORE 06/05/2025)	1
10	150244	BUSHING,CNX-5/8 X 3/4 X 1-1/4	1
11	172802	PIN SPRING SLOTTED 1/2X2-1/2	2
12	195566	WASHER THRUST 1-3/4 14 GA	2
13	209372	CYLINDER-SA,3 X 9-1/2 DISP (SEE PAGE 4-22)	1
14	210874	PIN, 1-3/4 X 2-5/16, STEP	1
15	210879	BEARING-HEF, 2.004X1.76X1-1/2	2
16	218755	GATE-CLAMP WLDMT	1
17	239243	PIN-PIVOT, SHANK, 1-3/4 X 9	1
18	239522	CAP, CASTING MACHINED	2
19	240342	BUSHING,SPRG 2 X 1-3/4 X 1-1/2	2
20	242825	CLAMP-SHANK, 1-1/4, WELDMENT	1
21	242827	PIN-PIVOT, SHANK, 1-3/4 DIA	1
22	242849	MOUNT-SHANK, CLAMP, WELDMENT	1
23	243054	SCREW FLG HD 1/2-13X1-3/4 GR8	6
24	5D979	ROLL PIN 1/2 X 3	1
25	1-861-010032-18	WASHER, FLAT 5/8 N ZP/CD (AFTER 06/05/2025)	3

### Auto Reset Shank Clamp, Hydraulic (12/12/23 TO 02/07/25)

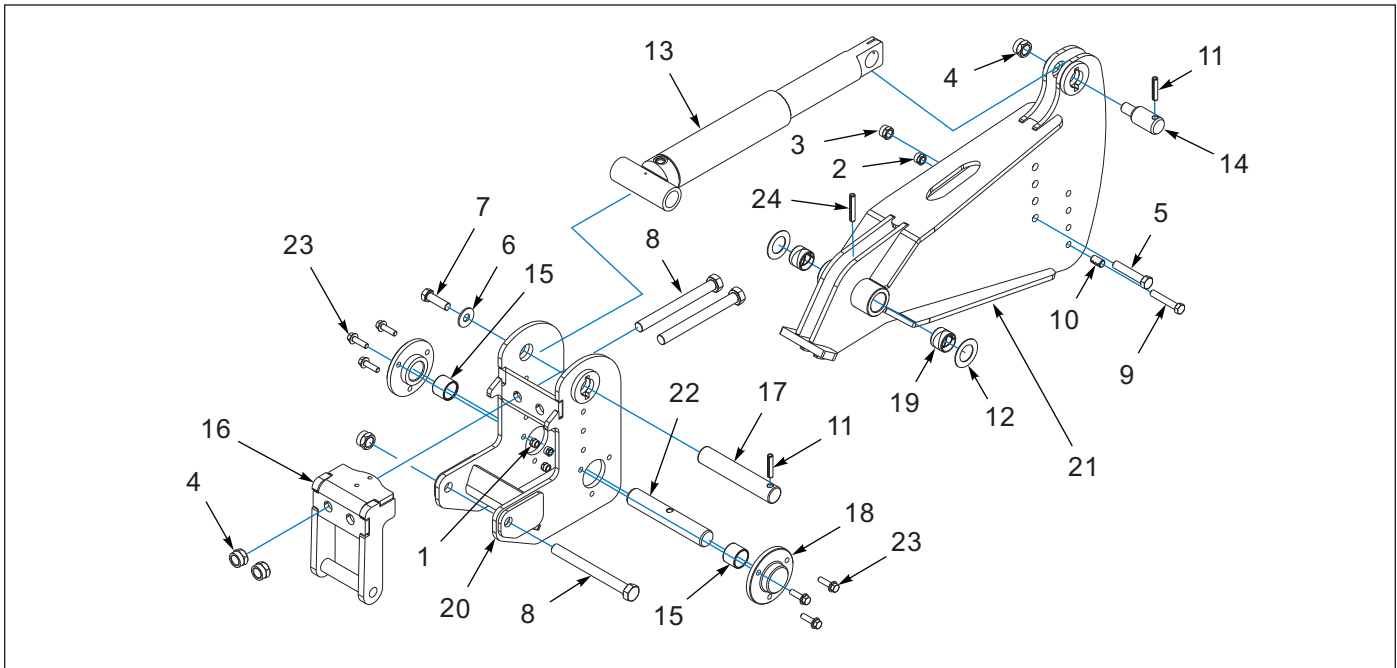
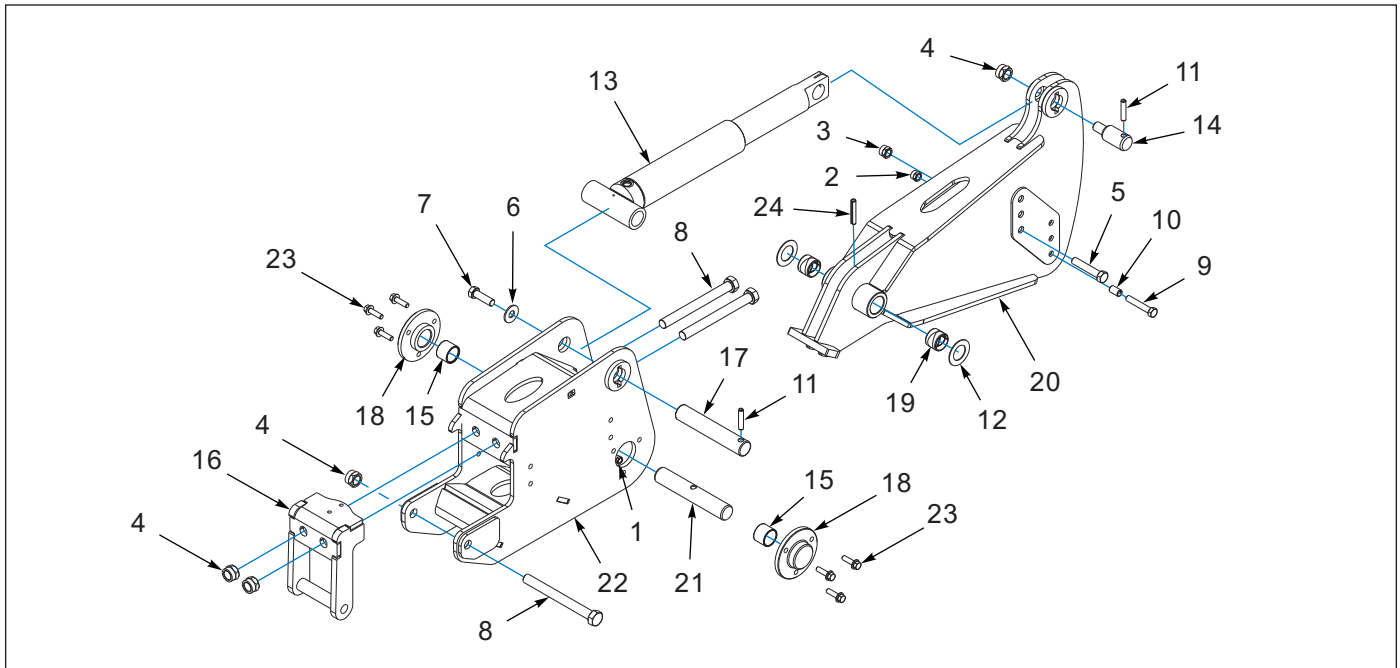


Figure 1-13: Auto Reset Shank Clamp, Hydraulic (12/12/23 TO 02/07/25)

### Auto Reset Shank Clamp, Hydraulic (12/12/23 TO 02/07/25)

ITEM	PART NUMBER	DESCRIPTION	QTY.
	242824	CLAMP-SHANK, ASSY (INCLUDES ITEMS 1-24) (FOR CYL. STOP USED W/CLAMP TYPE, SEE "FOLDING FRAME")	1
1	1-512-010005-19	NUT 1-8 HEX SLF-LOCKING GRB	6
2	1-512-010005-13	NUT,HEX SLFLKG GRB 5/8-11	1
3	1-512-010005-15	NUT,HEX,SLFLKG GRB 3/4-10	1
4	1-512-010005-19	NUT 1-8 HEX SLF-LOCKING GRB	4
5	1-654-010061-13	SCREW,HX CP 3/4-10UNCX4 GR5	1
6	1-861-010032-21	WASHER, FLAT 3/4 W ZP/CD	1
7	104483	SCREW 3/4-10X2-1/2 HXCP ZPGR8	1
8	134964	SCREW,HEX CAP,1-8UNCX10, GR8	3
9	138567	SCREW,HX CP 5/8-11UNCX3-1/2G8	1
10	150244	BUSHING,CNX-5/8 X 3/4 X 1-1/4	1
11	172802	PIN SPRING SLOTTED 1/2X2-1/2	2
12	195566	WASHER THRUST 1-3/4 14 GA	2
13	209372	CYLINDER-SA,3 X 9-1/2 DISP (SEE PAGE 4-22)	1
14	210874	PIN, 1-3/4 X 2-5/16, STEP	1
15	210879	BEARING-HEF, 2.004X1.76X1-1/2	2
16	218755	GATE-CLAMP WLDMT	1
17	239243	PIN-PIVOT, SHANK, 1-3/4 X 9	1
18	239522	CAP, CASTING MACHINED	2
19	240342	BUSHING,SPRG 2 X 1-3/4 X 1-1/2	2
20	242823	MOUNT-SHANK CLAMP, WELDMENT	1
21	242825	CLAMP-SHANK, 1-1/4, WELDMENT	1
22	242827	PIN-PIVOT, SHANK, 1-3/4 DIA	1
23	243054	SCREW FLG HD 1/2-13X1-3/4 GR8	6
24	5D979	ROLL PIN 1/2 X 3	1

**Auto Reset Shank Clamp, Hydraulic - Setback (12/12/23 TO 02/07/25)**



**Figure 1-14: Auto Reset Shank Clamp, Hydraulic - Setback (12/12/23 TO 02/07/25)**

**Auto Reset Shank Clamp, Hydraulic - Setback (12/12/23 TO 02/07/25)**

ITEM	PART NUMBER	DESCRIPTION	QTY.
	242850	CLAMP-SHANK, SEBTACK, ASM (FOR CYL. STOP USED W/CLAMP TYPE, SEE "FOLDING FRAME")	1
1	1-512-010005-09	NUT,HEX,SLFLKG, 1/2-13 GRB	6
2	1-512-010005-13	NUT,HEX SLFLKG GRB 5/8-11	1
3	1-512-010005-15	NUT,HEX,SLFLKG GRB 3/4-10	1
4	1-512-010005-19	NUT 1-8 HEX SLF-LOCKING GRB	4
5	1-654-010061-13	SCREW,HX CP 3/4-10UNCX4 GR5	1
6	1-861-010032-21	WASHER, FLAT 3/4 W ZP/CD	1
7	104483	SCREW 3/4-10X2-1/2 HXCP ZPGR8	1
8	134964	SCREW,HEX CAP,1-8UNCX10, GR8	3
9	172829	SCREW HX CP 5/8-11X4 GR8	1
10	150244	BUSHING,CNX-5/8 X 3/4 X 1-1/4	1
11	172802	PIN SPRING SLOTTED 1/2X2-1/2	2
12	195566	WASHER THRUST 1-3/4 14 GA	2
13	209372	CYLINDER-SA,3 X 9-1/2 DISP (SEE PAGE 4-22)	1
14	210874	PIN, 1-3/4 X 2-5/16, STEP	1
15	210879	BEARING-HEF, 2.004X1.76X1-1/2	2
16	218755	GATE-CLAMP WLDMT	1
17	239243	PIN-PIVOT, SHANK, 1-3/4 X 9	1
18	239522	CAP, CASTING MACHINED	2
19	240342	BUSHING,SPRG 2 X 1-3/4 X 1-1/2	2
20	242825	CLAMP-SHANK, 1-1/4, WELDMENT	1
21	242827	PIN-PIVOT, SHANK, 1-3/4 DIA	1
22	242849	MOUNT-SHANK, CLAMP, WELDMENT	1
23	243054	SCREW FLG HD 1/2-13X1-3/4 GR8	6
24	5D979	ROLL PIN 1/2 X 3	1

### Auto Reset Shank Clamp, Hydraulic (BEF. 12/12/2023)

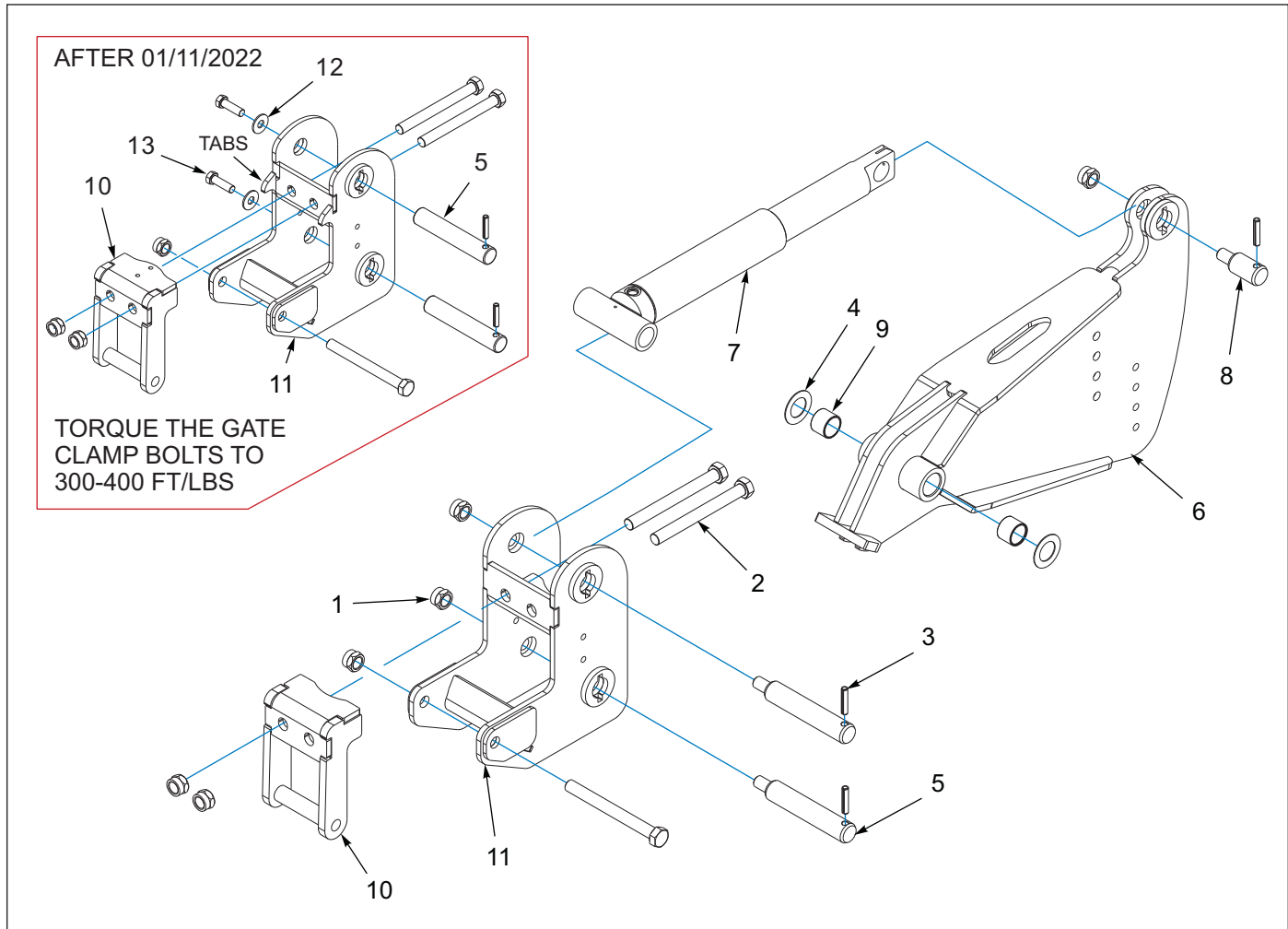


Figure 1-15: Auto Reset Shank Clamp, Hydraulic (BEF. 12/12/2023)

### Auto Reset Shank Clamp, Hydraulic (BEF. 12/12/2023)

ITEM	PART NUMBER	DESCRIPTION	QTY.
	209370	CLAMP-SHANK, ASSY <b>(FOR CYL. STOP USED W/CLAMP TYPE, SEE "FOLDING FRAME")</b>	1
1	1-512-010005-19	NUT 1-8 HEX SLF-LOCKING GRB <b>(BEFORE 01/11/2022, QTY=6)</b>	4
2	134964	SCREW,HEX CAP,1-8UNCX10, GR8	3
3	172802	PIN SPRING SLOTTED 1/2X2-1/2	3
4	195566	WASHER THRUST 1-3/4 14 GA	2
5	239243	PIN-PIVOT, SHANK, 1-3/4 X 9 <b>(AFTER 01/11/2022)</b>	2
5	209252	PIN, 1-3/4 X 8-1/4, STEP <b>(BEFORE 01/11/2022)</b>	2
6	209367	CLAMP-SHANK 1-1/4 WLDMT	1
7	209372	CYLINDER-SA,3 X 9-1/2 DISP <b>(SEE PAGE 4-22)</b>	1
8	210874	PIN, 1-3/4 X 2-5/16, STEP	1
9	210879	BEARING-HEF, 2.004X1.76X1-1/2	2
10	218755	GATE-CLAMP WLDMT	1
11	221434	MOUNT-SHANK CLAMP, WELDMENT	1
12	1-861-010032-21	WASHER, FLAT 3/4 W ZP/CD <b>(AFTER 01/11/2022)</b>	2
13	104483	SCREW 3/4-10X2-1/2 HXCP ZPGR8 <b>(AFTER 01/11/2022)</b>	2

# Auto Reset Shank Clamp, Hydraulic - Setback (BEF. 12/12/2023)

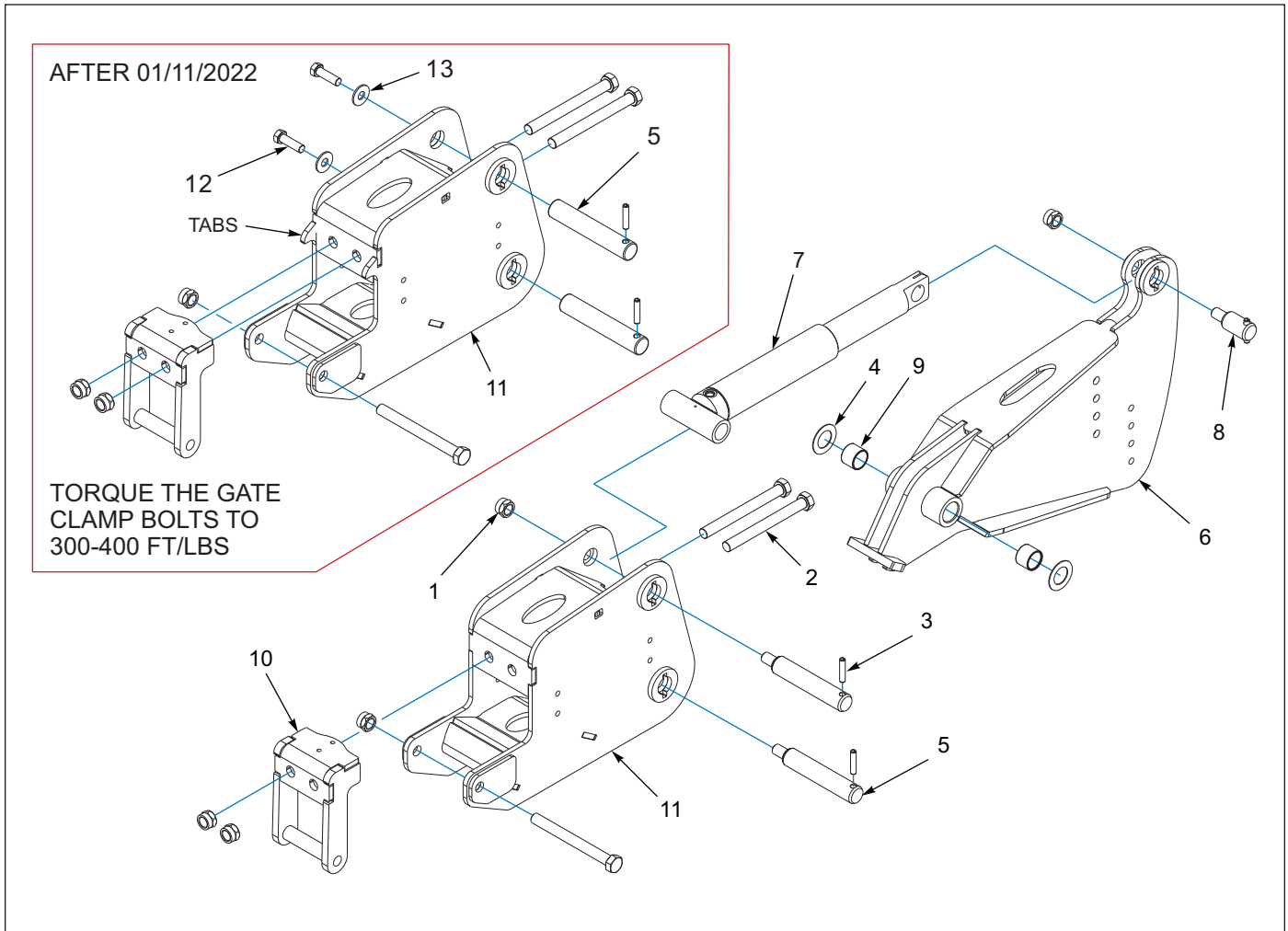


Figure 1-16: Auto Reset Shank Clamp, Hydraulic - Setback (BEF. 12/12/2023)

# Auto Reset Shank Clamp, Hydraulic - Setback (BEF. 12/12/2023)

ITEM	PART NUMBER	DESCRIPTION	QTY.
	214375	CLAMP-SHANK, SETBACK, ASSY (FOR CYL. STOP USED W/CLAMP TYPE, SEE "FOLDING FRAME")	1
1	1-512-010005-19	NUT 1-8 HEX SLF-LOCKING GRB (BEFORE 01/11/2022, QTY=6)	4
2	134964	SCREW,HEX CAP,1-8UNCX10, GR8	3
3	172802	PIN SPRING SLOTTED 1/2X2-1/2	3
4	195566	WASHER THRUST 1-3/4 14 GA	2
5	239243	PIN-PIVOT, SHANK, 1-3/4 X 9 (AFTER 01/11/2022)	2
5	209252	PIN, 1-3/4 X 8-1/4, STEP (BEFORE 01/11/2022)	2
6	209367	CLAMP-SHANK 1-1/4 WLDMT	1
7	209372	CYLINDER-SA,3 X 9-1/2 DISP (SEE PAGE 4-22)	1
8	210874	PIN, 1-3/4 X 2-5/16, STEP	1
9	210879	BEARING-HEF, 2.004X1.76X1-1/2	2
10	218755	GATE-CLAMP WLDMT	1
11	221438	MOUNT-SHANK CLAMP, WLDMT (SETBACK)	1
12	104483	SCREW 3/4-10X2-1/2 HXCP ZP8 (AFTER 01/11/2022)	2
13	1-861-010032-21	WASHER, FLAT 3/4 W ZP/CD (AFTER 01/11/2022)	2

# RSB Shank Clamp Assembly (Rigid Shear Bolt)

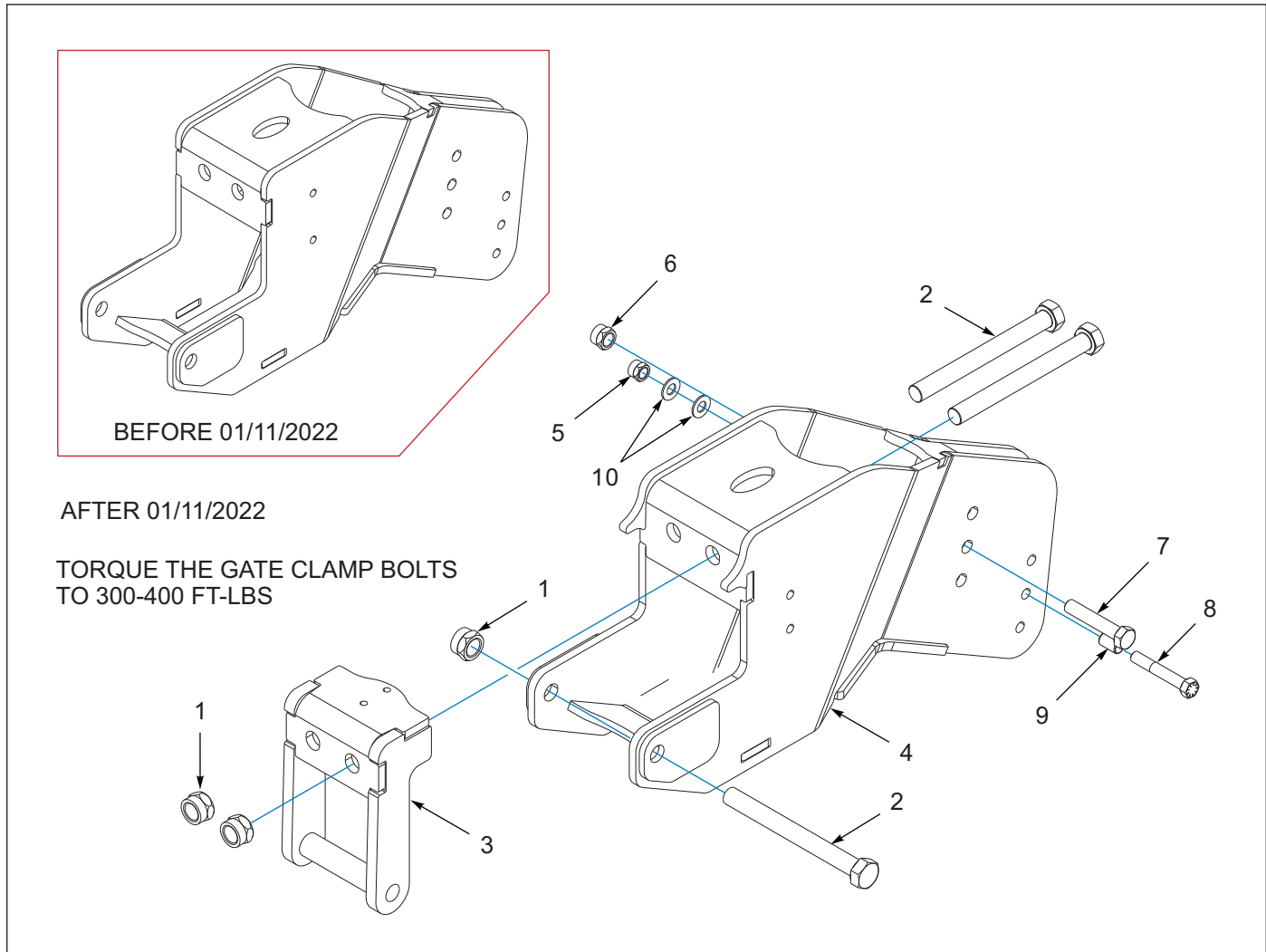


Figure 1-17: RSB Shank Clamp Assembly (Rigid Shear Bolt)

# RSB Shank Clamp Assembly (Rigid Shear Bolt)

ITEM	PART NUMBER	DESCRIPTION	QTY.
	218760	CLAMP-SHANK,RIGID, ASSY (ITEMS 5-9, ADDED TO ASM 04/12/2024) (FOR CYL. STOP USED W/CLAMP TYPE, SEE "FOLDING FRAME")	1
1	1-512-010005-19	NUT 1-8 HEX SLF-LOCKING GRB	3
2	134964	SCREW,HEX CAP,1-8UNCX10, GR8	3
3	218755	GATE-CLAMP WLDMT	1
4	218757	CLAMP-SHANK,RIGID,WLDMT	1
5	1-512-010005-13	NUT,HEX SLFLKG GRB 5/8-11	1
6	1-512-010005-15	NUT,HEX,SLFLKG GRB 3/4-10	1
7	1-654-010061-13	SCREW,HX CP 3/4-10UNCX4 GR5	1
8	253721	SCREW HEX CAP,5/8-11UNC-4,GR9 (AFTER 01/20/2026)	1
8	172829	SCREW HX CP 5/8-11X4 GR8 (06/2025 TO 01/2026)	1
8	138567	SCREW,HX CP 5/8-11UNCX3-1/2G8 (BEFORE 06/05/2025)	1
9	150244	BUSHING,CNX-5/8 X 3/4 X 1-1/4	1
10	1-861-010032-18	WASHER, FLAT 5/8 N ZP/CD (06/2025 TO 01/2026, QTY=3)	2

### Jack Stand and Wing Rest (AFTER 06/07/2023)

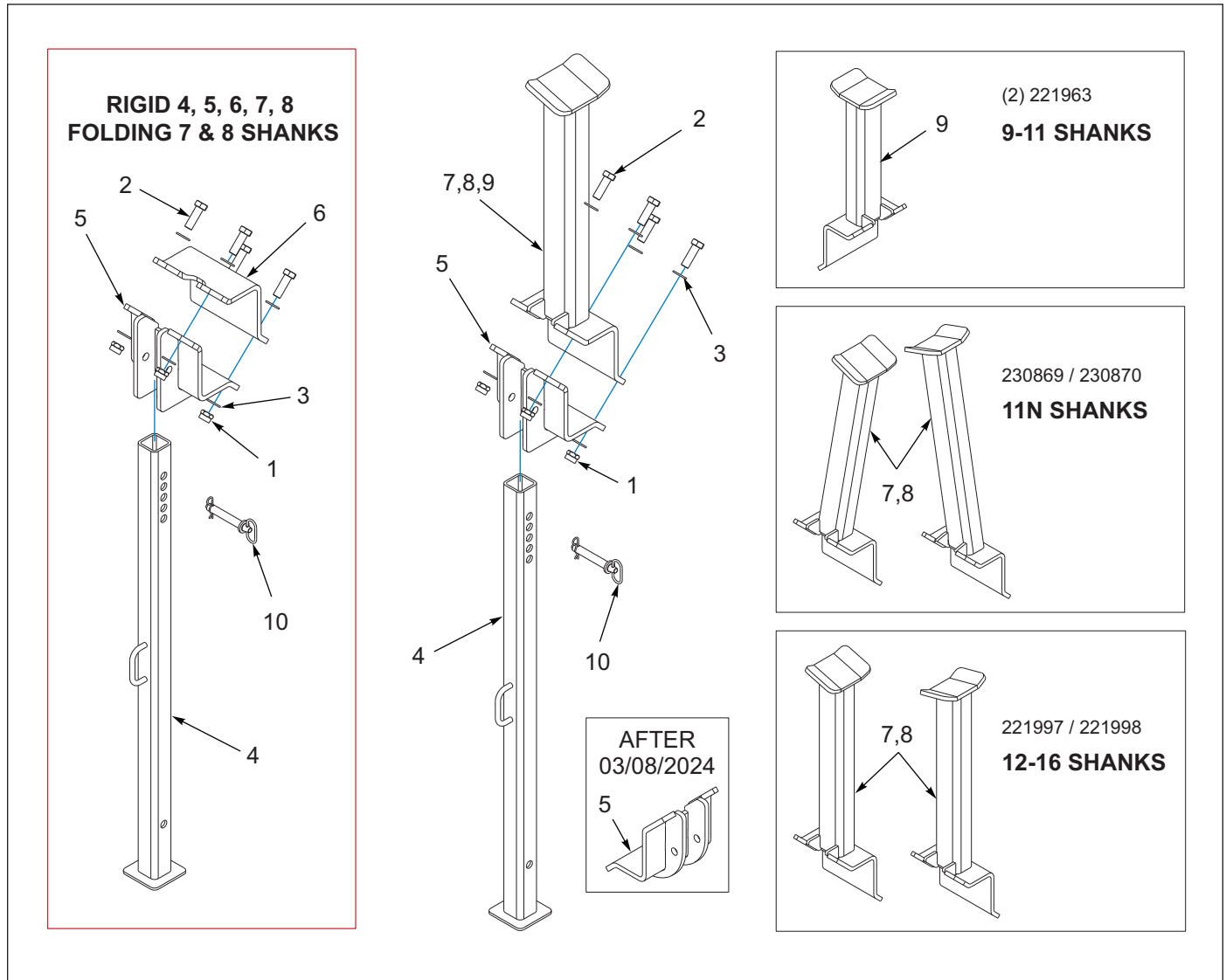


Figure 1-18: 2512 Jack Stand and Wing Rest (AFTER 06/07/2023)

### Jack Stand and Wing Rest (AFTER 06/07/2023)

ITEM	PART NUMBER	DESCRIPTION	QTY.
1	1-512-010005-15	NUT,HEX,SLFLKG GRB 3/4-10	8
2	1-654-010061-06	SCREW,HXCP,3/4-10UNCX2-1/4GR5	8
3	1-861-010032-20	WASHER, FLAT,3/4 N ZP/CD	16
4	221990	JACK STAND WLDMT	2
5	221993	MOUNT-JACK STAND, WLDMT	2
6	222015	CAP-BRACKET,JACK MOUNT (RIGID FRAME - ALL CLAMP TYPES) (FOLDING 7 & 8 SHANKS - ALL CLAMP TYPES)	2
7	221997	REST-WING, LH, WLDMT (12-16 SHANKS - ALL CLAMP TYPES)	1
7	230869	REST-WING, LH, WLDMT (11N SHANKS - ALL CLAMP TYPES)	1
8	221998	REST-WING, RH, WLDMT (12-16 SHANKS - ALL CLAMP TYPES)	1
8	230870	REST-WING, RH, WLDMT (11N SHANKS - ALL CLAMP TYPES)	1
9	221963	REST-WING, 180, WLDMT (9-11 SHANKS - ALL CLAMP TYPES)	2
10	4001311	3/4 x 4 HITCH PIN	2

Jack Stand and Wing Rest (11/01/21 TO 06/07/23)

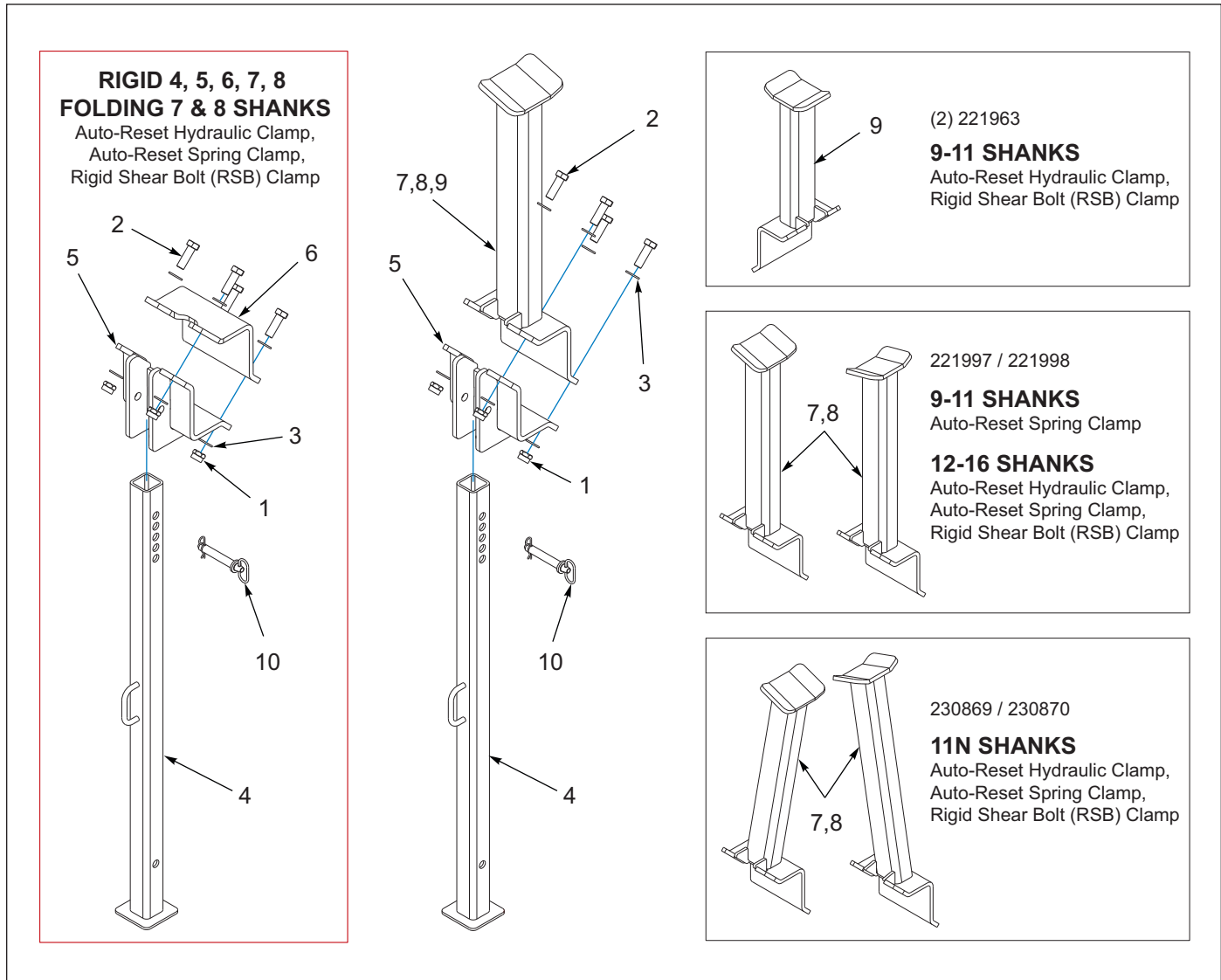


Figure 1-19: 2512 Jack Stand and Wing Rest (11/01/21 TO 06/07/23)

Jack Stand and Wing Rest (11/01/21 TO 06/07/23)

ITEM	PART NUMBER	DESCRIPTION	QTY.
1	1-512-010005-15	NUT,HEX,SLFLKG GRB 3/4-10	8
2	1-654-010061-06	SCREW,HXCP,3/4-10UNCX2-1/4GR5	8
3	1-861-010032-20	WASHER, FLAT,3/4 N ZP/CD	16
4	221990	JACK STAND WLDMT	2
5	221993	MOUNT-JACK STAND, WLDMT	2
6	222015	CAP-BRACKET,JACK MOUNT (RIGID FRAME - ALL CLAMP TYPES) (FOLDING 7 & 8 SHANKS - ALL CLAMP TYPES)	2
7	221997	REST-WING, LH, WLDMT (9-11 SHANKS - SPRING) (12-16 SHANKS - ALL)	1
7	230869	REST-WING, LH, WLDMT (11N SHANKS - ALL CLAMP TYPES)	1
8	221998	REST-WING, RH, WLDMT (9-11 SHANKS - SPRING) (12-16 SHANKS - ALL)	1
8	230870	REST-WING, RH, WLDMT (11N SHANKS - ALL CLAMP TYPES)	1
9	221963	REST-WING, 180, WLDMT (9-11 SHANKS - HYD & RSB)	2
10	4001311	3/4 x 4 HITCH PIN	2

### Jack Stand and Wing Rest (BEFORE 11/01/2021)

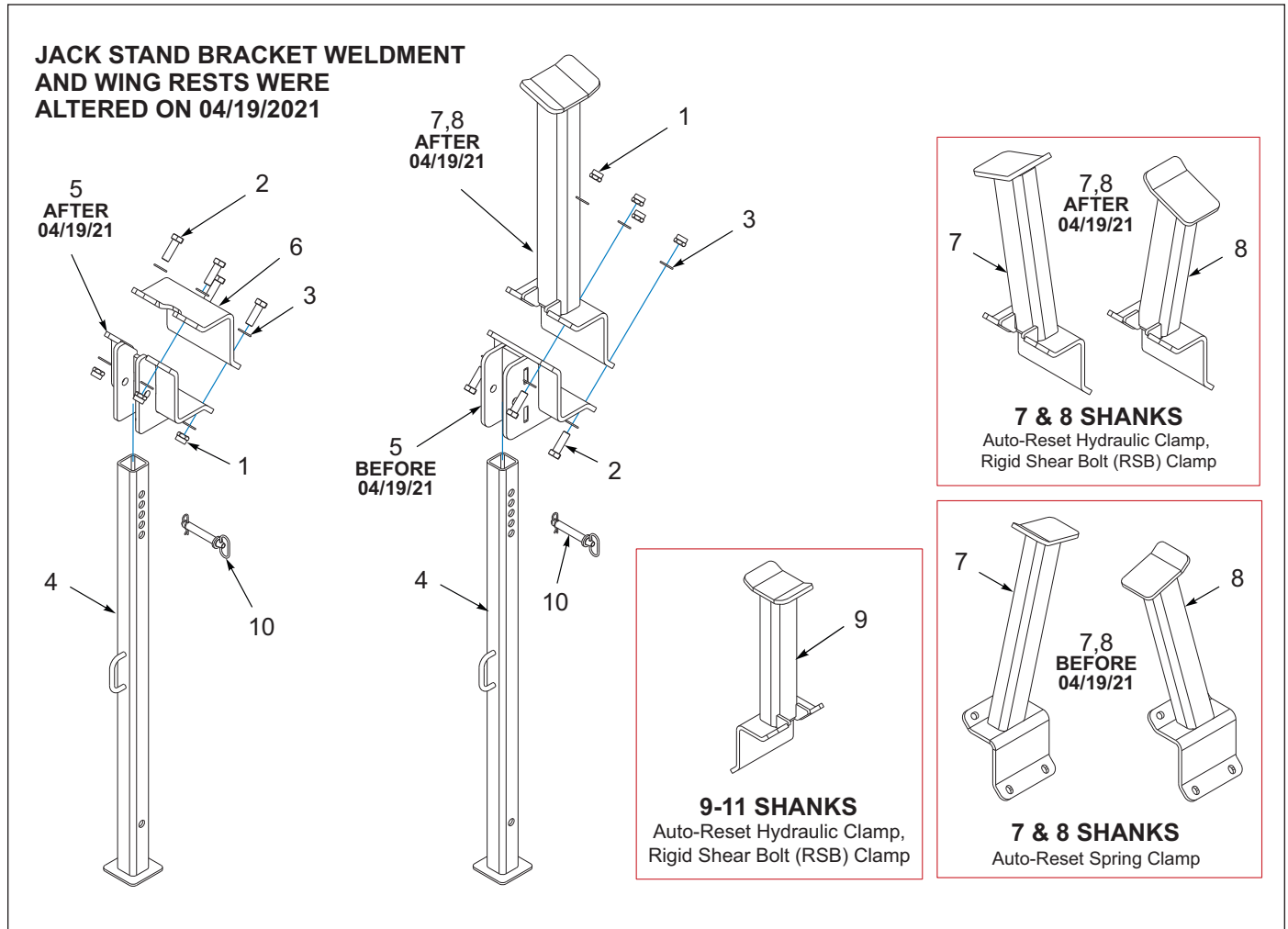


Figure 1-20: 2512 Jack Stand and Wing Rest (BEFORE 11/01/2021)

### Jack Stand and Wing Rest (BEFORE 11/01/2021)

ITEM	PART NUMBER	DESCRIPTION	QTY.
1	1-512-010005-15	NUT,HEX,SLFLKG GRB 3/4-10	8
2	1-654-010061-06	SCREW,HXCP,3/4-10UNCX2-1/4GR5	8
3	1-861-010032-20	WASHER, FLAT,3/4 N ZP/CD	16
4	221990	JACK STAND WLDMT	2
5	221993	BRACKET, JACK STAND, WLDMT	2
6	222015	CAP-BRACKET,JACK MOUNT (RIGID FRAME ONLY)	2
7	230873	REST-WING, LH, WLDMT (FOLDING 7 & 8 SHANKS - HYD & RSB) (SHOWN)	1
7	230875	REST-WING, LH, WLDMT (FOLDING 7 & 8 SHANKS - SPRING) (SHOWN)	1
7	221997	REST-WING, LH, WLDMT (FOLDING 9-16 SHANKS - SPRING)	1
7	230869	REST-WING, LH, WLDMT (FOLDING 11N - ALL CLAMP TYPES)	2
8	230874	REST-WING, RH, WLDMT (FOLDING 7 & 8 SHANKS - HYD & RSB)	1
8	230876	REST-WING, RH, WLDMT (FOLDING 7 & 8 SHANKS - SPRING)	1
8	221998	REST-WING, RH, WLDMT (FOLDING 9-16 SHANKS - SPRING)	1
8	230870	REST-WING, RH, WLDMT (FOLDING 11N - ALL CLAMP TYPES)	1
9	221963	REST-WING, 180, WLDMT (9-16 SHANKS - HYD & RSB) (SHOWN)	2
10	4001311	3/4 x 4 HITCH PIN	2

## Jack Stand, Rear - Optional

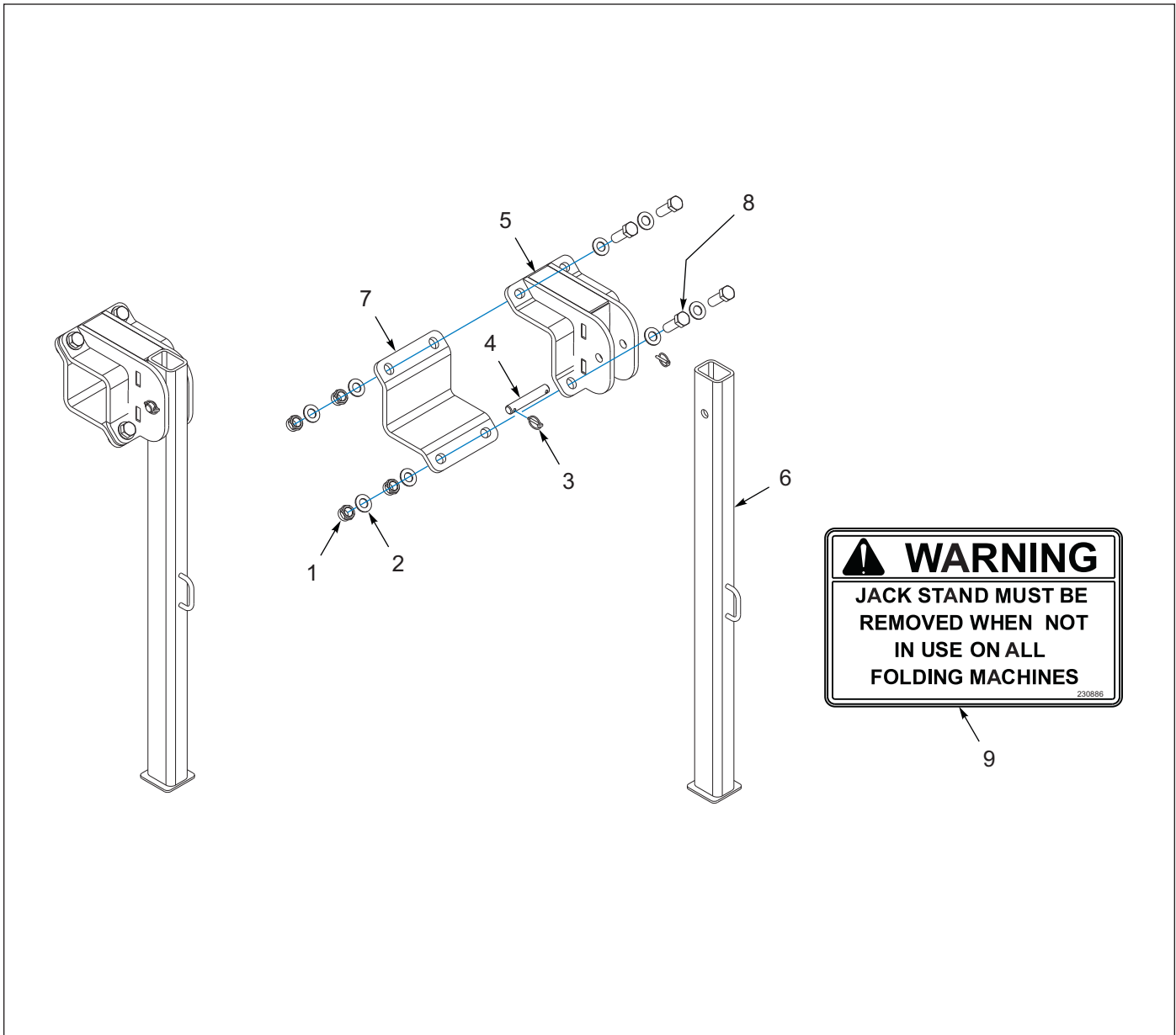


Figure 1-21: Jack Stand, Rear - Optional

## Jack Stand, Rear - Optional

ITEM	PART NUMBER	DESCRIPTION	QTY.
	230884	STAND-JACK, REAR ASSY (INCLUDES ITEMS 1-8)	1
1	1-512-010005-19	NUT 1-8 HEX SLF-LOCKING GRB	4
2	1-861-010032-24	WASHER FL 1IN NARROW ZP	8
3	134912	PIN, LYNCH 1/4 X 1-1/4	2
4	193753	PIN, 1.00 X 6.00 H2	1
5	230880	BRACKET-JACK STAND, WLDMT	1
6	230883	STAND-JACK, WLDMT	1
7	230888	BRACKET-MOUNT, JACK STAND	1
8	3J608	SCREW,HX CP 1-8UNC X 3 GR5	4
9	230886	DECAL, JACK STAND	1



# Gauge Wheel Assembly - Horizontal Mount (Left and Right)

Used On All Units With  
**Odd Number Of Shanks**  
 Up To And Including 9 Shanks  
 And All Units Larger.

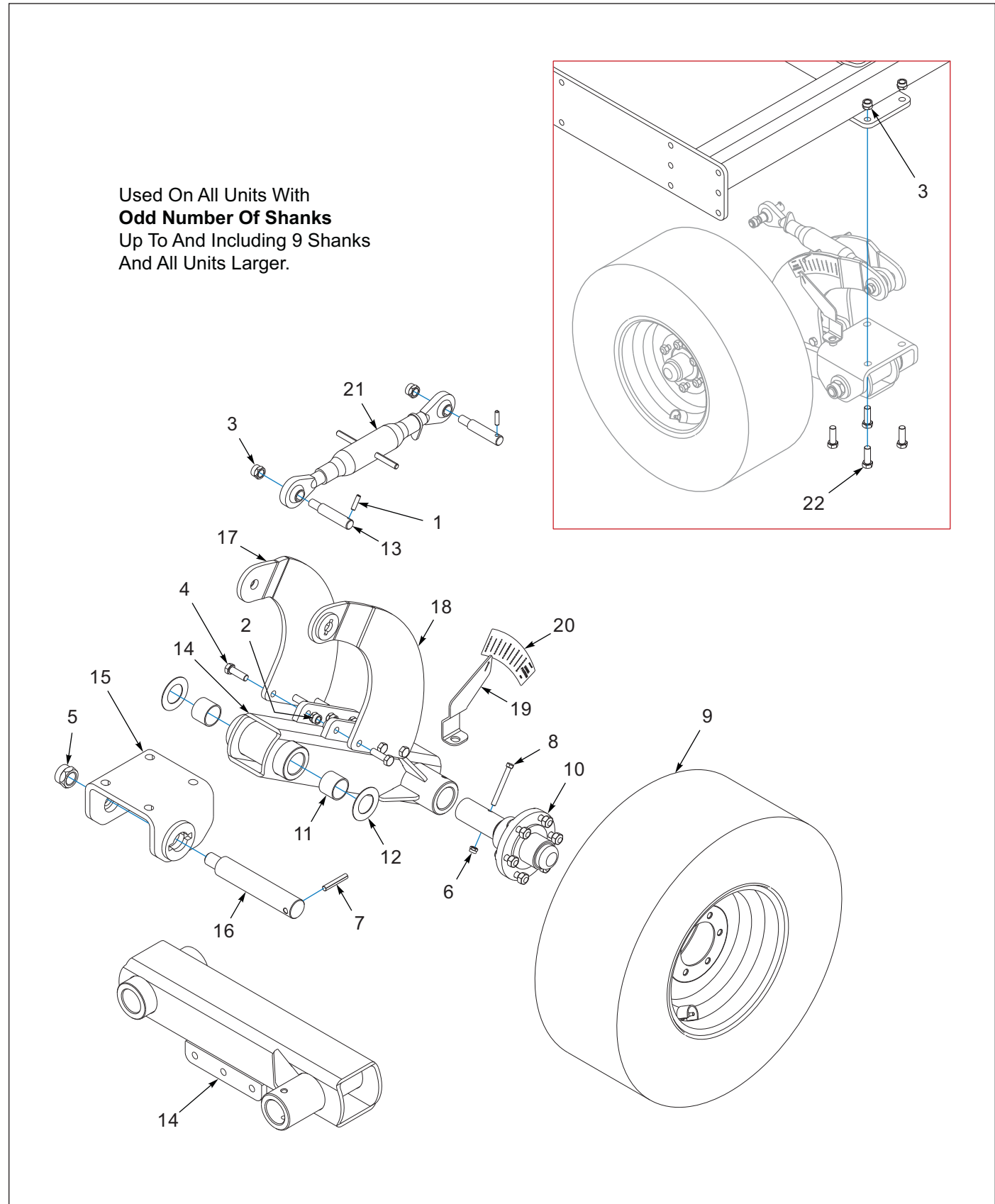


Figure 1-22: Gauge Wheel Assembly - Horizontal Mount (Left and Right)

## Gauge Wheel Assembly - Horizontal Mount (Left & Right)

ITEM	PART NUMBER	DESCRIPTION	QTY.
	214273	WHEEL-GUAGE, LH 2512 <b>(INCLUDES ITEMS 1-21)</b>	1
	214274	WHEEL-GUAGE, RH 2512 <b>(INCLUDES ITEMS 1-21)</b>	1
1	0600-375-01500	PIN ROLL 3/8X1-1/2	2
2	1-512-010005-13	NUT,HEX SLFLKG GRB 5/8-11	6
3	1-512-010005-15	NUT,HEX,SLFLKG GRB 3/4-10 <b>(FOR MOUNTING HARDWARE - ADDITIONAL 4 PER WHEEL ASM)</b>	2
4	1-654-010059-05	SCREW,HEX CAP,5/8-11UNCX2 GR5	6
5	101385	NUT,HEX SLFLKG,1-1/4-7 GRB	1
6	101988	NUT,HEXSLF-LKG 7/16-14 GRB	1
7	140191	PIN, GROOVED ALLOY 1/2X3	1
8	141809	SCREW HX CP7/16-14UNC X 4 GR5	1
9	142650	TIRE/WHEEL ASSY 280/70R15	1
10	164352	HUB ASSY, 6BOLT 2-1/4 SPINDLE <b>(SEE PAGE 1-29)</b>	1
11	197140	BUSHING POLYLUBE 2-1.4X2X1-3/4	2
12	202844	WASHER, 2 X 3-1/2 X 14 GA, SS	2
13	203486	PIN SHOULDER 1 X 3-3/8	2
14	214275	ARM-GAUGE MOUNT, LH, WLDMT <b>(LEFT)</b>	1
14	214265	ARM-GAUGE MOUNT, RH, WLDMT <b>(RIGHT)</b>	1
15	214268	MOUNT-GAUGE WHEEL	1
16	214276	PIN-SHOULDER, 2 X 9.375	1
17	214283	PLATE-CONTROL, GAUGE, RH WLDMT	1
18	214284	PLATE-CONTROL, GAUGE, LH WLDMT	1
19	227275	GAUGE-DEPTH, LH <b>(LEFT)</b>	1
19	227276	GAUGE-DEPTH, RH <b>(RIGHT)</b>	1
20	227277	DECAL, DEPTH GAUGE, LH <b>(LEFT)</b>	1
20	227278	DECAL, DEPTH GAUGE, RH <b>(RIGHT)</b>	1
21	7K286	TOP LINK	1
22	1-654-010061-06	SCREW, HXCP,3/4-10UNCX2-1/4GR5 <b>(MOUNTING HARDWARE - 4 PER WHEEL ASM)</b>	REF

# Gauge Wheel Assembly - Vertical Mount (Left and Right)

Used On All Units With  
Even Number Of Shanks 4 Through 8.

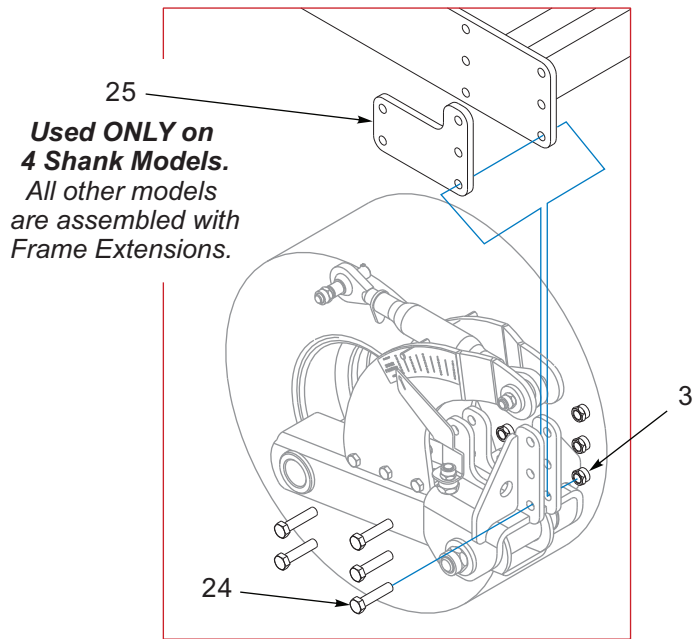
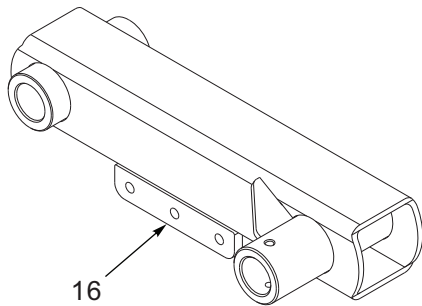
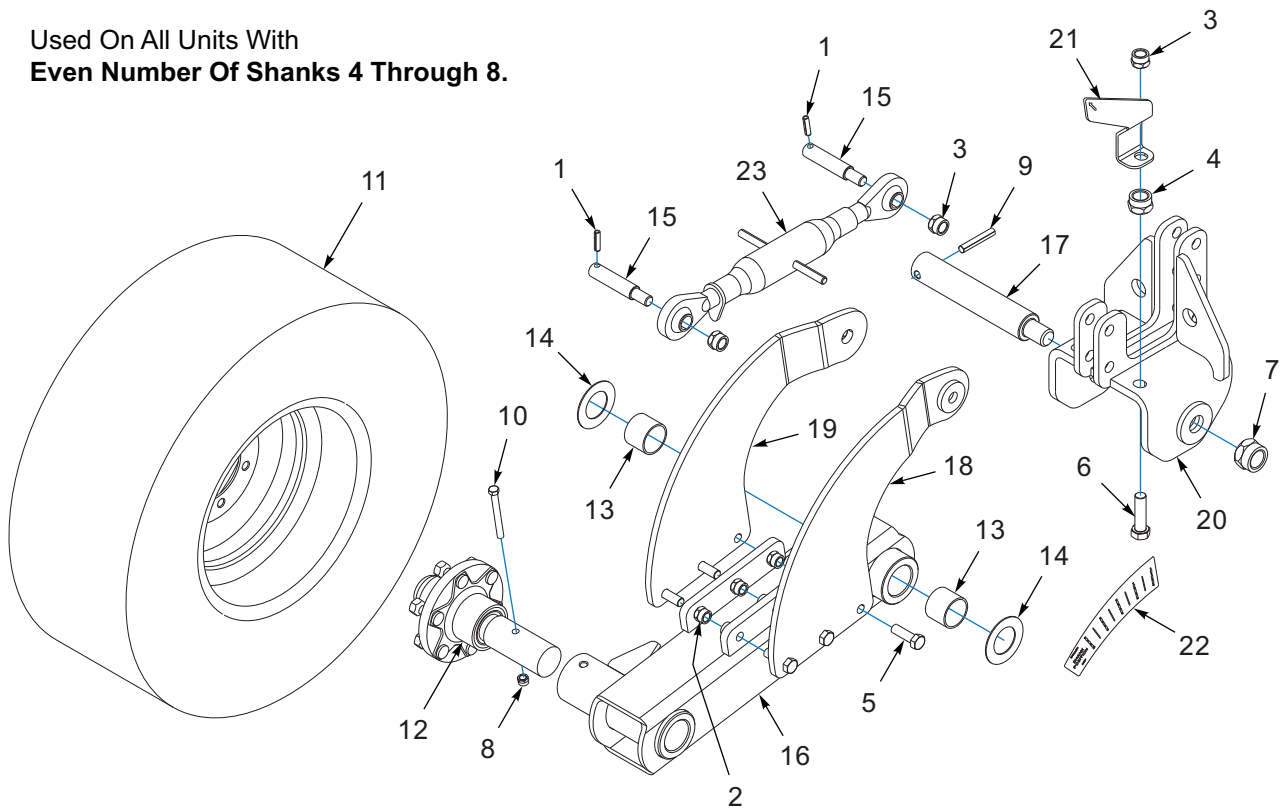


Figure 1-23: Gauge Wheel Assembly - Vertical Mount (Left and Right)

## Gauge Wheel Assembly - Vertical Mount (Left and Right)

ITEM	PART NUMBER	DESCRIPTION	QTY.	
	214351	WHEEL-GAUGE, LH, 2512 ASSY <b>(INCLUDES ITEMS 1-23)</b>	1	--
	214352	WHEEL-GAUGE, RH 2512 ASSY <b>(INCLUDES ITEMS 1-23)</b>	--	1
1	0600-375-01500	PIN ROLL 3/8X1-1/2	2	2
2	1-512-010005-13	NUT,HEX SLFLKG GRB 5/8-11	6	6
3	1-512-010005-15	NUT,HEX,SLFLKG GRB 3/4-10 <b>(FOR MOUNTING HARDWARE - ADDITIONAL 5 PER WHEEL ASM)</b>	3	3
4	1-512-010005-19	NUT 1-8 HEX SLF-LOCKING GRB	1	1
5	1-654-010059-05	SCREW,HEX CAP,5/8-11UNCX2 GR5	6	6
6	231922	SCREW, HEX CAP, 3/4-10x2-3/4	1	1
7	101385	NUT,HEX SLFLKG,1-1/4-7 GRB	1	1
8	101988	NUT,HEXSLF-LKG 7/16-14 GRB	1	1
9	140191	PIN, GROOVED ALLOY 1/2X3	1	1
10	141809	SCREW HX CP7/16-14UNC X 4 GR5	1	1
11	142650	TIRE/WHEEL ASSY 280/70R15	1	1
12	164352	HUB ASSY, 6BOLT 2-1/4 SPINDLE	1	1
13	197140	BUSHING POLYLUBE 2-1.4X2X1-3/4	1	1
14	202844	WASHER, 2 X 3-1/2 X 14 GA, SS	1	1
15	203486	PIN SHOULDER 1 X 3-3/8	1	1
16	214275	ARM-GAUGE MOUNT, LH, WLDMT <b>(LEFT)</b>	1	--
16	214265	ARM-GAUGE MOUNT, RH, WLDMT <b>(RIGHT)</b>	--	1
17	214276	PIN-SHOULDER, 2 X 9.375	1	1
18	214283	PLATE-CONTROL, GAUGE, RH WLDMT	1	1
19	214284	PLATE-CONTROL, GAUGE, LH WLDMT	1	1
20	214347	MOUNT-GAUGE WHEEL, WLDMT	1	1
21	227276	GAUGE-DEPTH, RH <b>(LEFT)</b>	1	--
21	227275	GAUGE-DEPTH, LH <b>(RIGHT)</b>	--	1
22	227278	DECAL, DEPTH GAUGE, RH <b>(LEFT)</b>	1	--
22	227277	DECAL, DEPTH GAUGE, LH <b>(RIGHT)</b>	--	1
23	7K286	TOP LINK	1	1
24	214337	SCREW, HEX CAP, 3/4-10 X 3-1/4 <b>(MOUNTING HARDWARE - 5 PER WHEEL ASM)</b>	5	5
25	214351	WHEEL-GAUGE, LH, 2512 ASSY <b>(MOUNTING HARDWARE - 4 SHANK UNIT ONLY)</b>	REF	REF

# Hub Assembly

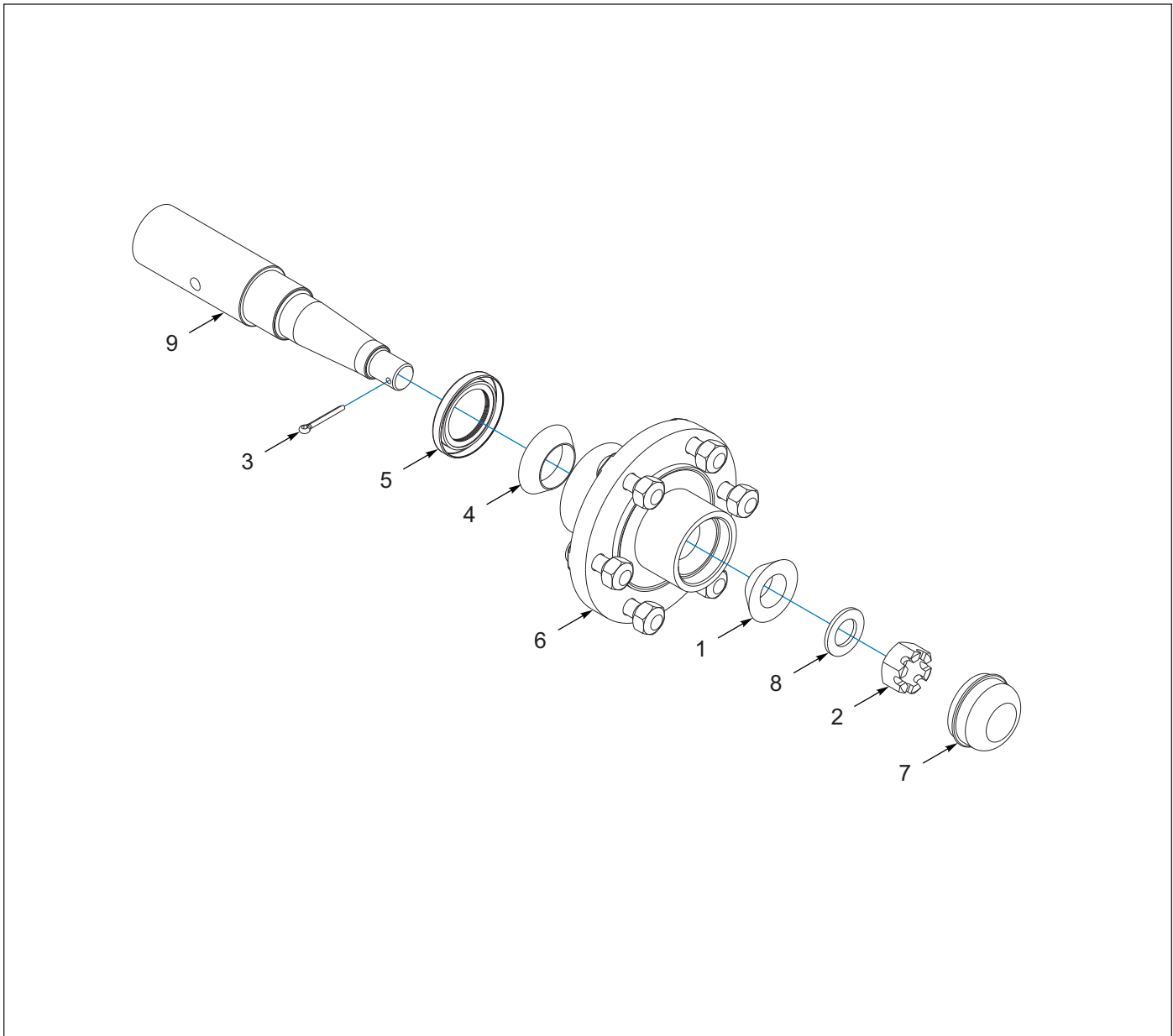


Figure 1-24: Hub Assembly

## Hub Assembly

ITEM	PART NUMBER	DESCRIPTION	QTY.
	164352	HUB ASSY, 6 BOLT 2-1/4	1
1	1-076-010007	CONE INNER	1
2	1-516-010001-20	NUT, HX SLOT	1
3	1-557-010362-51	PIN, COTTER	1
4	102498	BEARING CONE, OUTER, 1.625	1
5	140554	SEAL GREASE	1
6	140645	HUB W/CUPS, SIX BOLT	1
7	141236	DUST CAP, WHEEL HUB	1
8	141238	WASHER, SPINDLE	1
9	164349	SPINDLE 2-1/4	1



# Rear Tow Bar Hitch - Optional

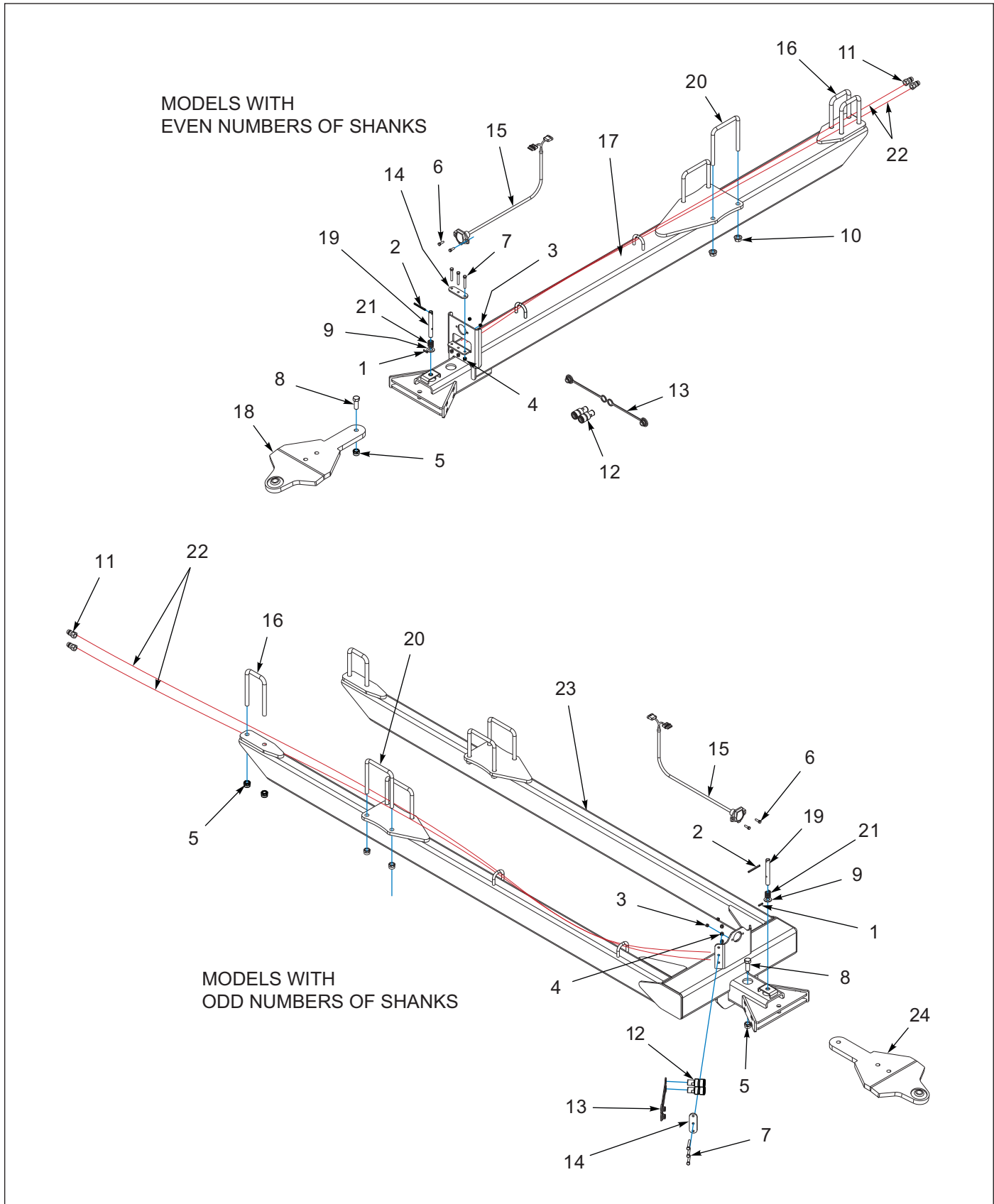


Figure 1-25: Rear Tow Bar Hitch - Optional

## Rear Tow Bar Hitch - Optional

ITEM	PART NUMBER	DESCRIPTION	QTY.	
	235965	HITCH-REAR, EVEN, 2512, ASM	1	--
	235967	HITCH-REAR, ODD, 2512	--	1
1	0600-250-01000	1/4X1 ROLL PIN ZP	1	1
2	0600-250-03000	1/4X3 ROLL PIN ZP	1	1
3	1-512-010005-03	NUT HEX SLFLKG GRB 5/16-18	2	2
4	1-512-010005-05	NUT, HEX, SLFLKG GRB 3/8-16	3	3
5	1-512-010005-15	NUT,HEX,SLFLKG GRB 3/4-10	1	13
6	1-654-010049-05	SCREW HX CP 5/16-18UNCX1 GR5	2	2
7	1-654-010051-11	SCREW HX CP 3/8-16X2-1/2 G5ZP	3	3
8	1-654-010061-05	SCREW,HHC,3/4-10UNCX2,GR5,ZP	1	1
9	1-861-010032-20	WASHER, FLAT,3/4 N ZP/CD	1	1
10	103841	NUT,FLG,LNK,SERRATED 3/4-10UNC	8	--
11	141828	COUPLER,MALE 3/4-16 O-RING	2	2
12	142668	COUPLER FEMALE 3/4-16 O-RING	2	2
13	142669	PLUG, COUPLER DUST	2	2
14	240198	PLATE, COUPLER	1	1
15	143871	HARNESS, TANDEM ADAPTER	1	1
16	1P042	U-BOLT, 3/4-10X4.75X8.375	2	2
17	235961	HITCH-REAR, EVEN, WELDMENT	1	--
18	240193	HITCH-REAR TOW BAR	1	--
19	3-375-010371	HITCH PIN AGRI	1	1
20	7K723	U-BOLT 3/4-10X6-13/16X7-3/4	2	4
21	CO-975-74-2000	SPRING COMPRESSION	1	1
22	182270	HOSE ASSY, 3/8X273,8ORB, 8ORB	2	--
22	224446	HOSE, 3/8X195,-8ORB-8ORB	--	2
23	235966	HITCH-REAR,ODD, 2512, WELDMENT	--	1
24	240193	HITCH-REAR TOW BAR	--	1

## Coulter Assemblies

### Blade Coulter - Straight, Rippled & Pyramid Option (Left Hand)

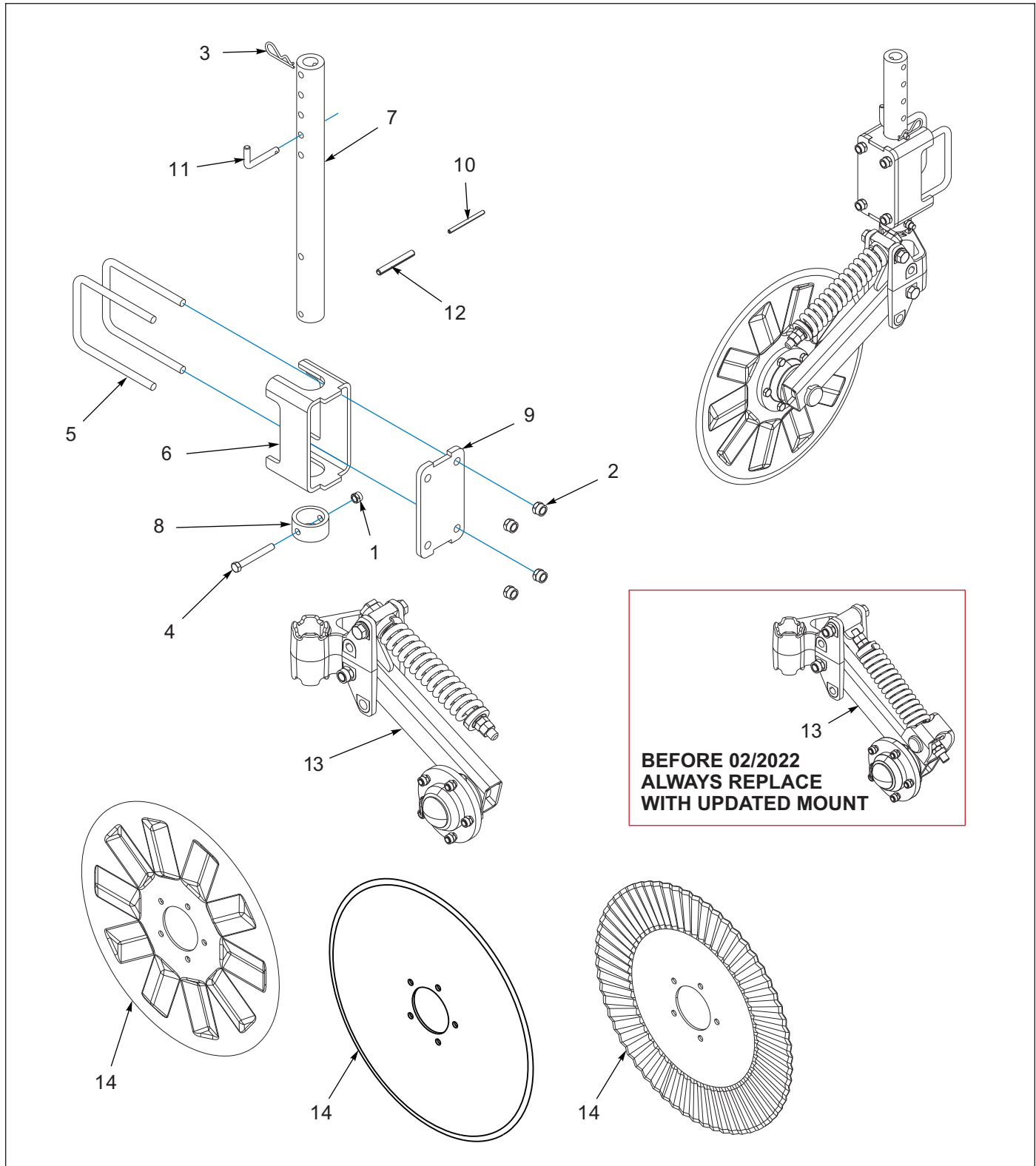


Figure 2-1: Blade Coulter - Straight, Rippled & Pyramid Option (Left Hand)

## Blade Coulter - Straight, Rippled & Pyramid Options (Left Hand)

ITEM	PART NUMBER	DESCRIPTION	QTY.
	233873	COULTER-HD, STRAIGHT BLADE, LH (AFTER 02/2022)	1
	233875	COULTER-HD, RIPPLED BLADE, LH (AFTER 02/2022)	1
	233877	COULTER-HD, PYRAMID BLADE, LH (AFTER 02/2022)	1
	181844	22 COULTER HD SMOOTH BLADE LH (BEFORE 02/2022)	1
	181843	22 COULTER HD RIPPLED BLADE LH (BEFORE 02/2022)	1
	181845	22 COULTER HD PYRAMID BLADE LH (BEFORE 02/2022)	1
1	1-512-010005-09	NUT,HEX,SLFLKG, 1/2-13 GRB	1
2	1-512-010005-13	NUT,HEX SLFLKG GRB 5/8-11	4
3	1-557-010013	PIN, HAIR 3/16 DIA	1
4	1-654-010055-13	SCREW,HEX CAP,1/2-13UNCX4 GR5	1
5	149192	U-BOLT,6-11/16 CENTERS X 8-1/2	2
6	179082	COULTER CLAMP TUBE	1
7	179545	COULTER ADJUST TUBE	1
8	179546	COULTER STOP	1
9	179547	CLAMP PLATE	1
10	5D954	ROLL PIN 5/16 X 4	1
11	8-557-010095	PIN RIGID GA WHEEL 800	1
12	8K756	ROLL PIN 1/2 x 4	1
13	233841	MOUNT-COULTER, LH ASSY (AFTER 02/2022) (SEE PAGE 2-5)	1
13	182241	COULTER ASSY, HD (BEFORE 02/2022) (SEE PAGE 2-7)	1
14	179966	COULTER BLADE 22 PYRAMID	1
14	176846	COULTER 22" SMOOTH	1
14	9K289	22" COULTER	1

Blade Coulter - Straight, Rippled & Pyramid Option (Right Hand)

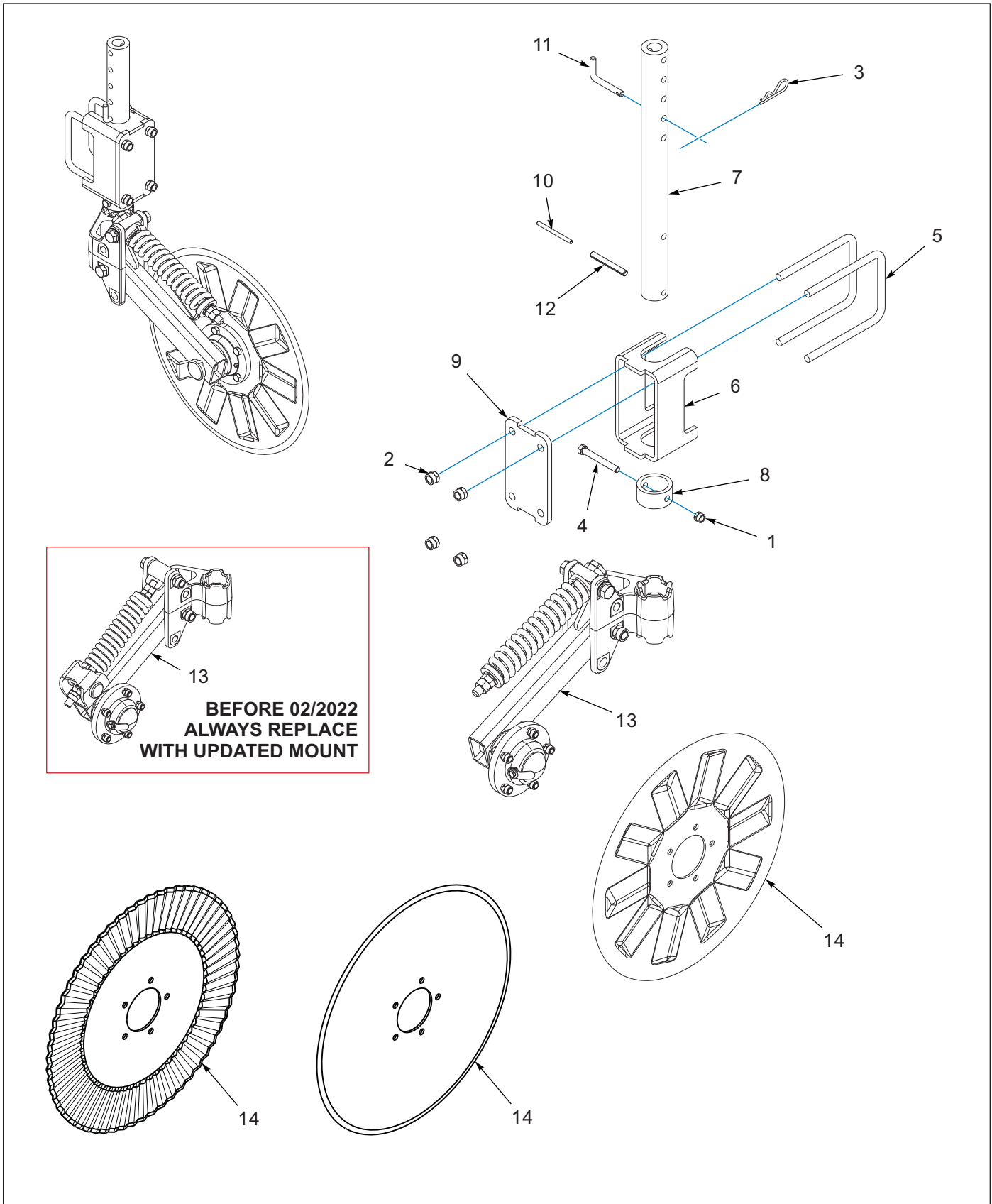


Figure 2-2: Blade Coulter - Straight, Rippled & Pyramid Option (Right Hand)

## Blade Coulter - Straight, Rippled & Pyramid Option (Right Hand)

ITEM	PART NUMBER	DESCRIPTION	QTY.
	233874	COULTER-HD, STRAIGHT BLADE, RH (AFTER 02/2022)	1
	233876	COULTER-HD, RIPPLED BLADE, RH (AFTER 02/2022)	1
	233878	COULTER-HD, PYRAMID BLADE, RH (AFTER 02/2022)	1
	176849	22 COULTER HD SMOOTH BLADE RH (BEFORE 02/2022)	1
	176848	22 COULTER HD RIPPLED BLADE RH (BEFORE 02/2022)	1
	181085	22 COULTER HD PYRAMID BLADE RH (BEFORE 02/2022)	1
1	1-512-010005-09	NUT,HEX,SLFLKG, 1/2-13 GRB	1
2	1-512-010005-13	NUT,HEX SLFLKG GRB 5/8-11	4
3	1-557-010013	PIN, HAIR 3/16 DIA	1
4	1-654-010055-13	SCREW,HEX CAP,1/2-13UNCX4 GR5	1
5	149192	U-BOLT,6-11/16 CENTERS X 8-1/2	2
6	179082	COULTER CLAMP TUBE	1
7	179545	COULTER ADJUST TUBE	1
8	179546	COULTER STOP	1
9	179547	CLAMP PLATE	1
10	5D954	ROLL PIN 5/16 X 4	1
11	8-557-010095	PIN RIGID GA WHEEL 800	1
12	8K756	ROLL PIN 1/2 x 4	1
13	233842	MOUNT-COULTER, RH, ASM (AFTER 02/2022) (SEE PAGE 2-5)	1
13	182242	COULTER ASSY, HD (BEFORE 02/2022) (SEE PAGE 2-7)	1
14	179966	COULTER BLADE 22 PYRAMID	1
14	176846	COULTER 22" SMOOTH	1
14	9K289	22" COULTER	1

COULTER ASSEMBLIES

Heavy Duty Coulter (AFTER 02/2022)

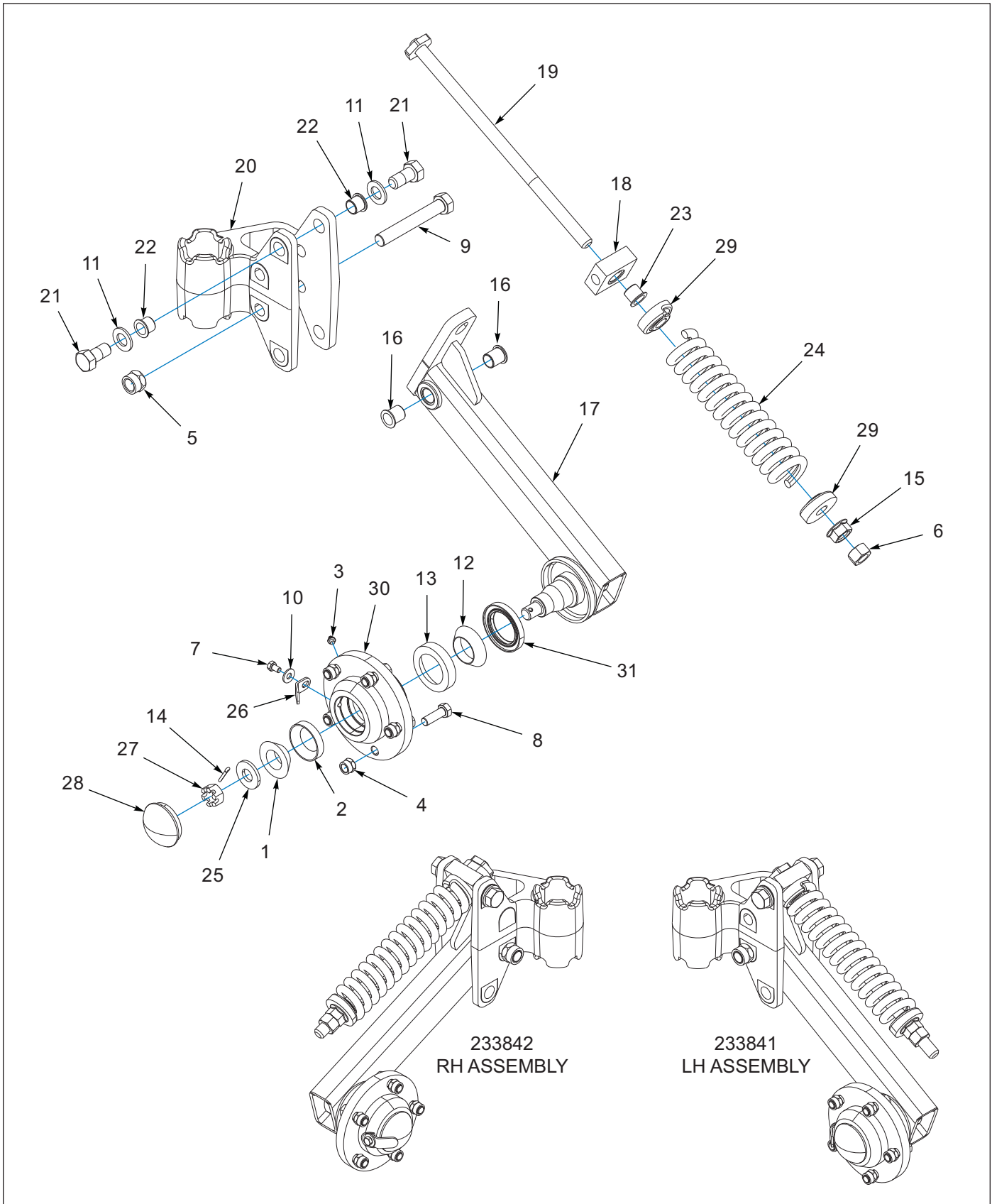


Figure 2-3: Heavy Duty Coulter (AFTER 02/2022)

## Heavy Duty Coulter (AFTER 02/2022)

ITEM	PART NUMBER	DESCRIPTION	QTY.
	233841	MOUNT-COULTER, LH, ASSY	1
	233842	MOUNT-COULTER, RH, ASM	1
1	1-076-010007	CONE INNER	1
2	1-076-010010	CUP INNER	1
3	1-298-010001-1	ZERK FITTING 1/4 SAE	1
4	1-512-010005-09	NUT,HEX,SLFLKG, 1/2-13 GRB	5
5	1-512-010005-15	NUT,HEX,SLFLKG GRB 3/4-10	1
6	1-512-010007-12	NUT, HEX 3/4-10 GR2 ZP	1
7	1-654-010049-01	SCREW,HEX CAP,5/16-18UNCX1/2	1
8	1-654-010055-03	SCREW,HEX CAP,1/2-13UNCX1-1/2	5
9	1-654-010061-15	SCREW,HX CP 3/4-10UNCX5 GR5	1
10	1-861-010032-09	WASHER, FLAT 5/16 W ZP/CD	1
11	1-861-010032-20	WASHER, FLAT,3/4 N ZP/CD	2
12	102498	BEARING CONE,OUTER, 1.625	1
13	102604	BEARING CUP, OUTER	1
14	110-0344	5/32X1 COTTER PIN	1
15	168226	NUT,HEX FLG 3/4-10, GR8, ZP	1
16	182224	BEARING- IGUS,FLNGD,7/8X3/4X1	2
17	233835	ARM-COULTER, LH, WLDMT	1
17	233836	ARM-COULTER, RH, WLDMT	1
18	233838	BLOCK-PIVOT, SPRING	1
19	233845	ROD-SPRING, WLDMT	1
20	233847	MOUNT-SWIVEL, COULTER, 2512	1
21	233849	SCREW-HEX CAP,3/4-10 UNCX1-1/2	2
22	233850	BEARING-IGUS,FLNGD,QFI-1412-12	2
23	233851	BEARING-IGUS,FLNGD,QFM-2023-21	1
24	233887	SPRING,COMP,12-3/16X2-1/2,K898	1
25	3J397	WASHER 1-3/4ODX13/16IDX3/16THK	1
26	3K613	CAP STRAP	1
27	3/4-16HSN	HEX SLOTTED NUT	1
28	6D337	HUB CAP	1
29	7J569	CAP (6D410)	2
30	9K453	HUB (USES 3K612W HUB BLANK)	1
31	9K454	GREASE SEAL	1

COULTER ASSEMBLIES

Heavy Duty Coulters (BEFORE 02/2022)

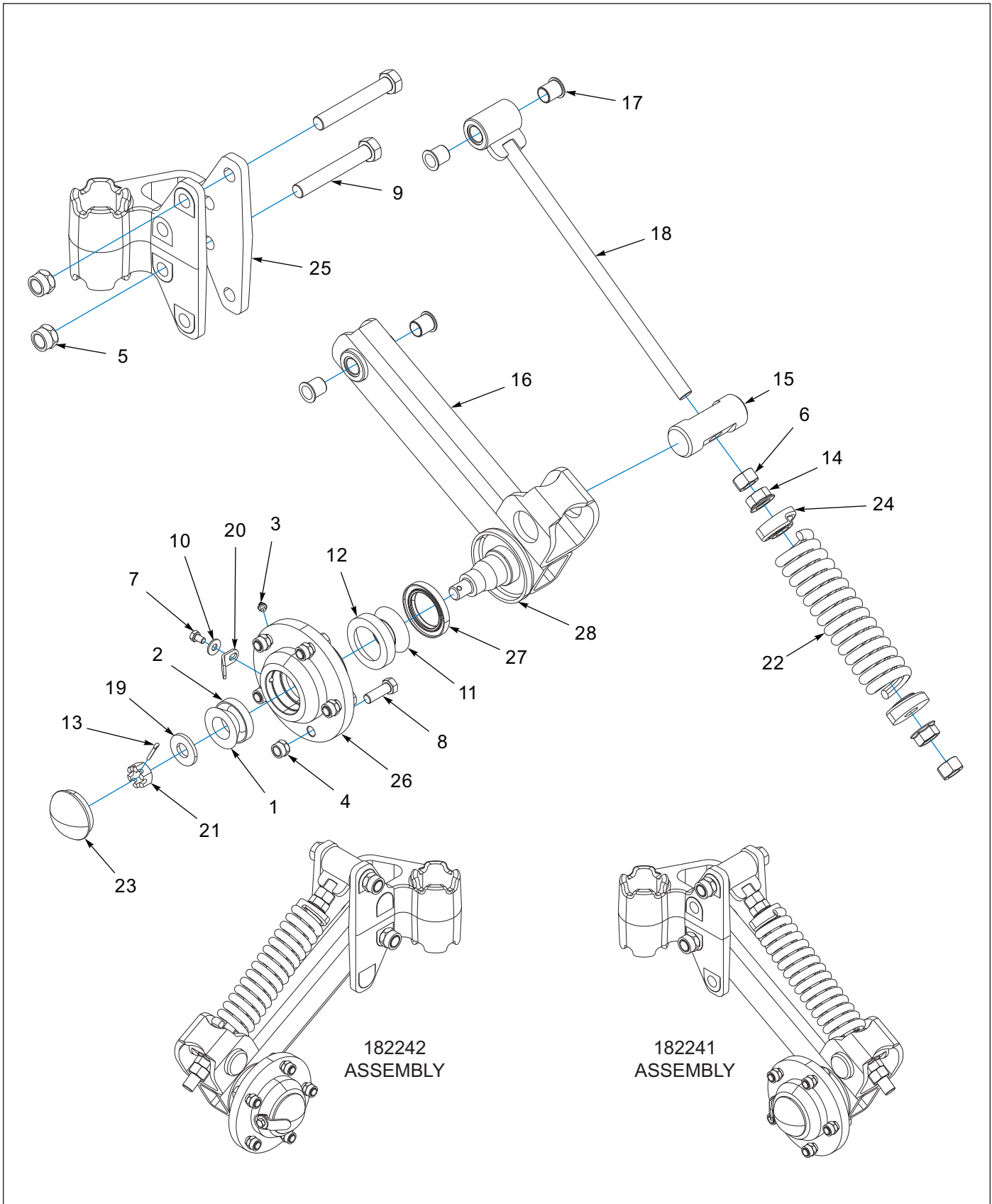
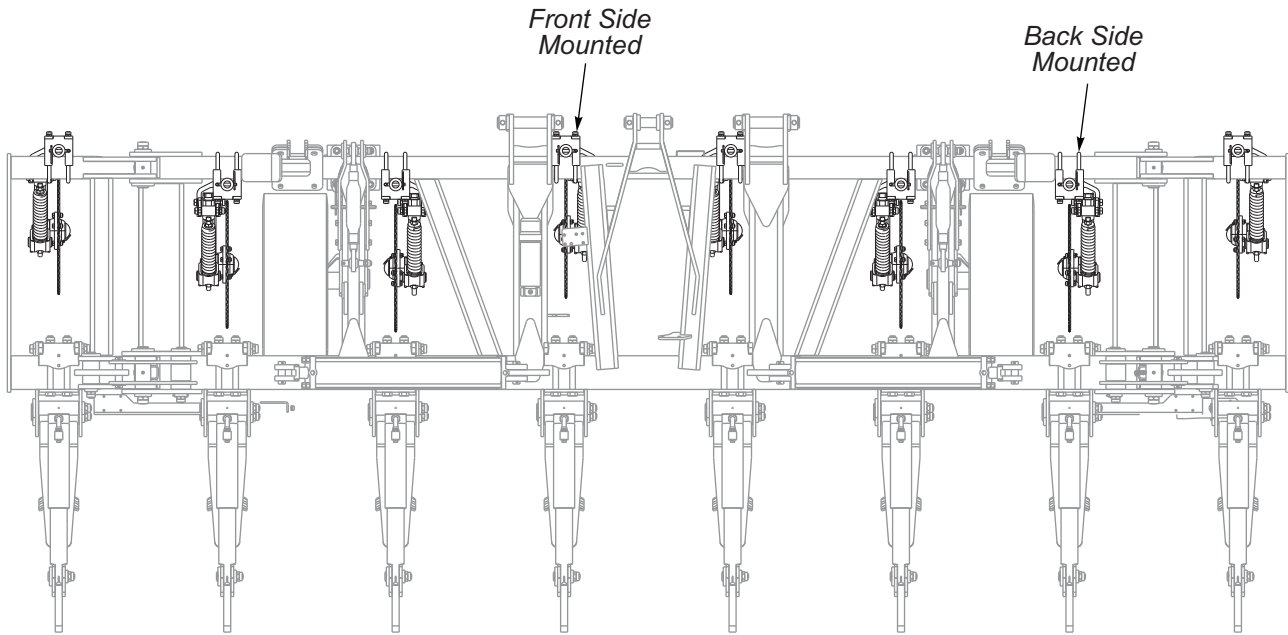


Figure 2-4: Heavy Duty Coulters (BEFORE 02/2022)

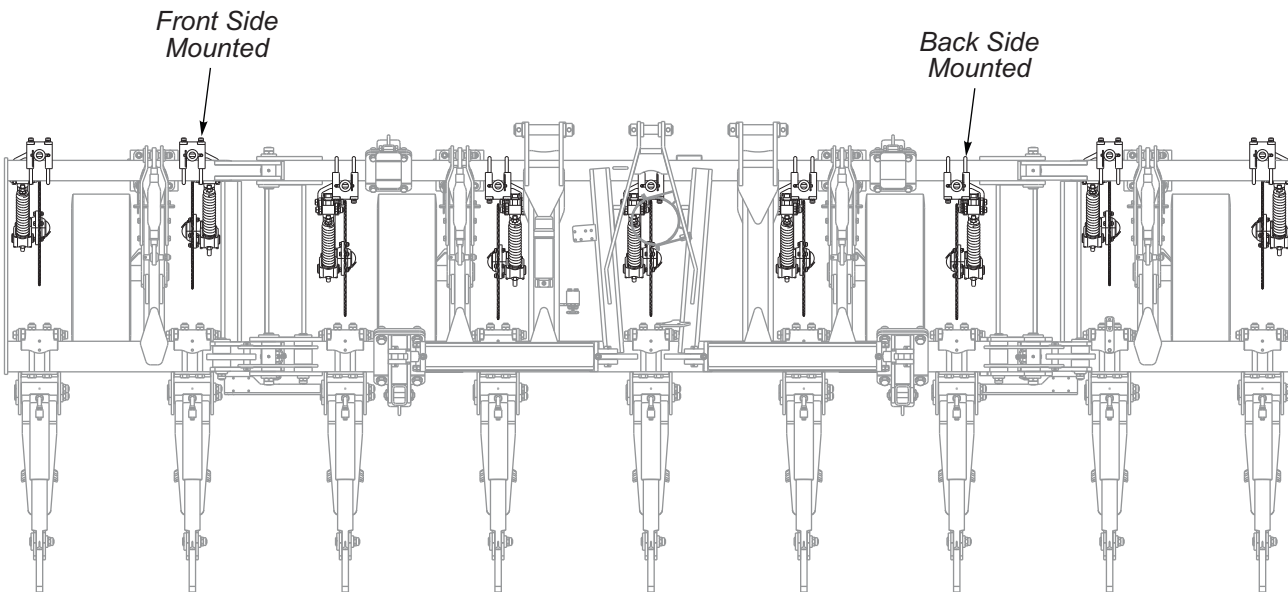
## Heavy Duty Coulter (BEFORE 02/2022)

ITEM	PART NUMBER	DESCRIPTION	QTY.
	182241	COULTER ASSY, HD	1
	182242	COULTER ASSY, HD	1
1	1-076-010007	CONE INNER	1
2	1-076-010010	CUP INNER	1
3	1-298-010001-1	ZERK FITTING 1/4 SAE	1
4	1-512-010005-09	NUT,HEX,SLFLKG, 1/2-13 GRB	5
5	1-512-010005-15	NUT,HEX,SLFLKG GRB 3/4-10	2
6	1-512-010007-12	NUT, HEX 3/4-10 GR2 ZP	2
7	1-654-010049-01	SCREW,HEX CAP,5/16-18UNCX1/2	1
8	1-654-010055-03	SCREW,HEX CAP,1/2-13UNCX1-1/2	5
9	1-654-010061-15	SCREW,HX CP 3/4-10UNCX5 GR5	2
10	1-861-010032-09	WASHER, FLAT 5/16 W ZP/CD	1
11	102498	BEARING CONE, OUTER, 1.625	1
12	102604	BEARING CUP, OUTER	1
13	110-0344	5/32X1 COTTER PIN	1
14	168226	NUT,HEX FLG 3/4-10, GR8, ZP	4
15	182220	PIVOT BOLT	1
16	182222	ARM WLDMT, COULTER, RH	1
16	182225	ARM WLDMT, COULTER, LH	1
17	182224	BEARING- IGUS,FLNGD,7/8X3/4X1	4
18	182233	BOLT - EYE WELDMENT	1
19	3J397	WASHER	1
20	3K613	CAP STRAP	1
21	3/4-16HSN	HEX SLOTTED NUT	1
22	4K076	COMPRESSION SPRING - OUTER	1
23	6D337	HUB CAP	1
24	7J569	CAP (6D410)	2
25	9K295	COULTER SWIVEL	1
26	9K453	HUB	1
27	9K454	GREASE SEAL	1
28	3K608	SHIELD	1

Coulter Placement



COULTER CENTER POSITIONS FOR RIGID 6, FOLDING 8 (SHOWN), 10, 12, 14, 16



COULTER CENTER POSITIONS FOR FOLDING 9 (SHOWN)  
 Coulters Mounted On Backside Of Toolbar For Rigid 4 And 5

Figure 2-5: Coulter Placement



## Electrical

### Lighting and Reflectors (Rigid 4 Shank)

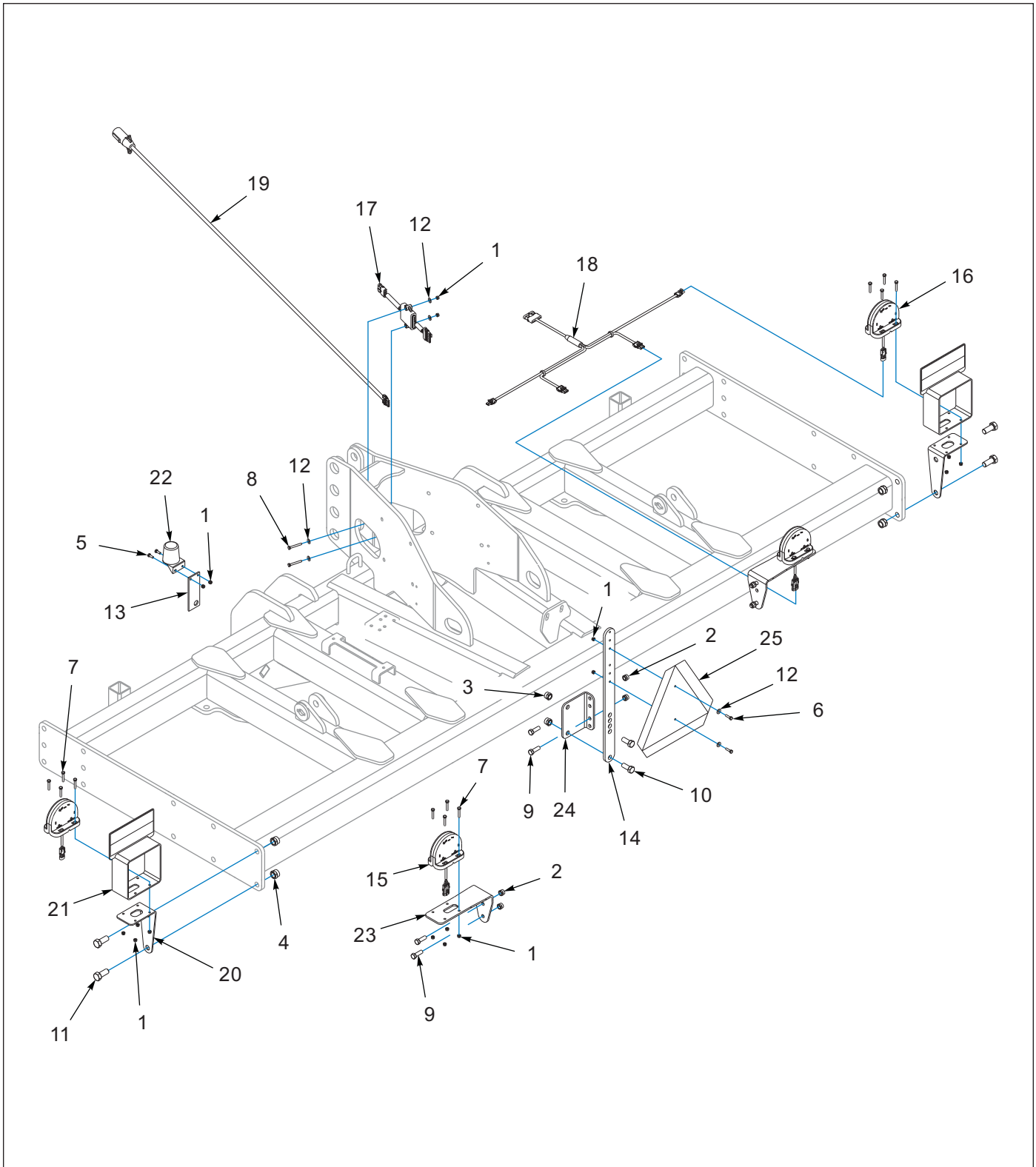


Figure 3-1: Lighting and Reflectors (Rigid 4 Shank)

## Lighting and Reflectors (Rigid 4 Shank)

ITEM	PART NUMBER	DESCRIPTION	QTY.
	214335	KIT, WARNING LIGHT, 2512-4	1
1	1-512-010005-01	NUT,HEX,SLFLKG GRB 1/4-20	22
2	1-512-010005-09	NUT,HEX,SLFLKG, 1/2-13 GRB	6
3	1-512-010005-13	NUT,HEX SLFLKG GRB 5/8-11	2
4	1-512-010005-15	NUT,HEX,SLFLKG GRB 3/4-10	4
5	1-654-010047-04	SCREW,HEX CAP,1/4-20X3/4 GR5	2
6	1-654-010047-06	SCREW,HX CP 1/4-20UNCX1 GR5	2
7	1-654-010047-08	SCREW HX CP,1/4-20UNCX1-1/2G5	16
8	1-654-010047-10	SCREW,HX CP,1/4-20UNC X2 GR5	2
9	1-654-010055-03	SCREW,HEX CAP,1/2-13UNCX1-1/2	6
10	1-654-010059-03	SCREW 5/8-11UNCX1-1/2 HXCP G5	2
11	1-654-010061-04	SCREW,HX CP 3/4-10UNCX1-3/4	4
12	1-861-010032-07	WASHER,FLAT 1/4 ZP	6
13	101404	BRKT,STOR-AWAY HOLDER, 2000	1
14	164142	BRACKET, SMV MOUNTING	1
15	174435	LAMP, AG RED SINGLE LED	2
16	174436	LAMP, AG AMBER SINGLE LED	2
17	174437	MODULE, AG FLASHER CONTROL (SEE PAGE 3-7)	1
18	175151	HARNESS, LED WARNING LIGHTS (SEE PAGE 3-7)	1
19	178514	HARNESS,7 PIN/4PIN WP, 10' (SEE PAGE 3-7)	1
20	182290	BRACKET - LIGHT MOUNT	2
21	182310	BRACKET -LIGHT MOUNT REFLECTOR	4
22	2-368-010287	HARNESS, STOR-A-WAY	1
23	214316	BRACKET-WARNING LAMP	2
24	214317	ANGLE-MOUNT, SMV	1
25	70260977	SMV EMBLEM	1

Lighting and Reflections (Rigid 5/6/7/8 Shank)

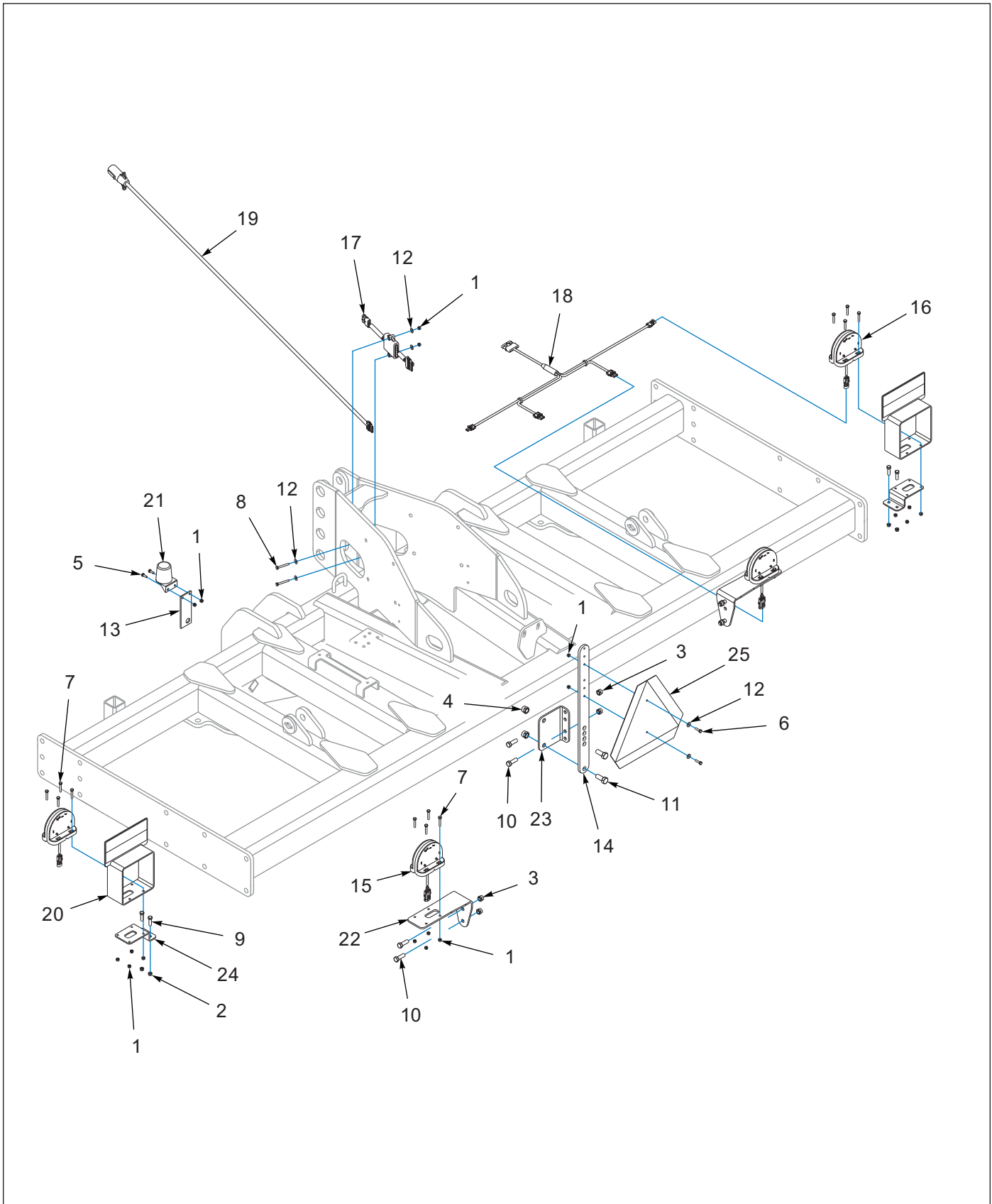


Figure 3-2: Lighting and Reflections (Rigid 5/6/7/8 Shank)

## Lighting and Reflectors (Rigid 5/6/7/8 Shank)

ITEM	PART NUMBER	DESCRIPTION	QTY.
	214336	KIT,WARN LIGHT, 2512-5,6,7,&8	1
1	1-512-010005-01	NUT,HEX,SLFLKG GRB 1/4-20	22
2	1-512-010005-05	NUT,HEX,SLFLKG, GRB 3/8-16	4
3	1-512-010005-09	NUT,HEX,SLFLKG, 1/2-13 GRB	6
4	1-512-010005-13	NUT,HEX SLFLKG GRB 5/8-11	2
5	1-654-010047-04	SCREW,HEX CAP,1/4-20X3/4 GR5	2
6	1-654-010047-06	SCREW,HX CP 1/4-20UNCX1 GR5	2
7	1-654-010047-08	SCREW HX CP,1/4-20UNCX1-1/2G5	16
8	1-654-010047-10	SCREW,HX CP,1/4-20UNC X2 GR5	2
9	1-654-010051-06	SCREW,HEX CAP 3/8-16UNCX1-1/4	4
10	1-654-010055-03	SCREW,HEX CAP,1/2-13UNCX1-1/2	6
11	1-654-010059-03	SCREW 5/8-11UNCX1-1/2 HXCP G5	2
12	1-861-010032-07	WASHER,FLAT 1/4 ZP	6
13	101404	BRKT,STOR-AWAY HOLDER, 2000	1
14	164142	BRACKET, SMV MOUNTING	1
15	174435	LAMP, AG RED SINGLE LED	2
16	174436	LAMP, AG AMBER SINGLE LED	2
17	174437	MODULE, AG FLASHER CONTROL (SEE PAGE 3-7)	1
18	175151	HARNESS, LED WARNING LIGHTS (SEE PAGE 3-7)	1
19	178514	HARNESS,7 PIN/4PIN WP, 10' (SEE PAGE 3-7)	1
20	182310	BRACKET -LIGHT MOUNT REFLECTOR	2
21	2-368-010287	HARNESS, STOR-A-WAY	1
22	214316	BRACKET-WARNING LAMP	2
23	214317	ANGLE-MOUNT, SMV	1
24	227905	BRACKET-WARNING LIGHT MOUNT	2
25	70260977	SMV EMBLEM	1

Lighting and Reflectors (Folding)

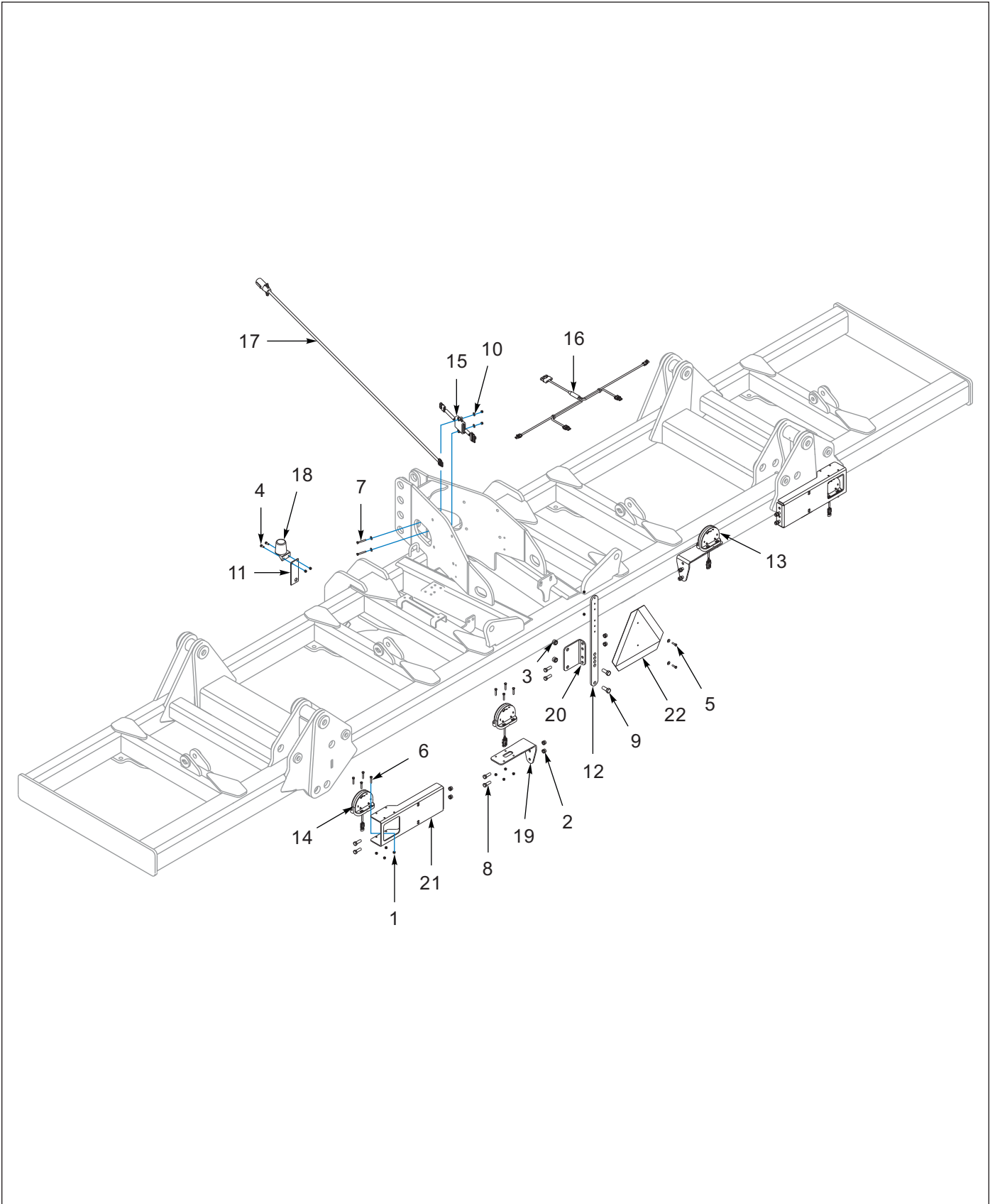


Figure 3-3: Lighting and Reflectors (Folding)

## Lighting and Reflectors (Folding)

ITEM	PART NUMBER	DESCRIPTION	QTY.
	221967	KIT, WARNING LIGHT, 2512F	1
1	1-512-010005-01	NUT,HEX,SLFLKG GRB 1/4-20	22
2	1-512-010005-09	NUT,HEX,SLFLKG, 1/2-13 GRB	10
3	1-512-010005-13	NUT,HEX SLFLKG GRB 5/8-11	2
4	1-654-010047-04	SCREW,HEX CAP,1/4-20X3/4 GR5	2
5	1-654-010047-06	SCREW,HX CP 1/4-20UNCX1 GR5	2
6	1-654-010047-08	SCREW HX CP,1/4-20UNCX1-1/2G5	16
7	1-654-010047-10	SCREW,HX CP,1/4-20UNC X2 GR5	2
8	1-654-010055-03	SCREW,HEX CAP,1/2-13UNCX1-1/2	10
9	1-654-010059-03	SCREW 5/8-11UNCX1-1/2 HXCP G5	2
10	1-861-010032-07	WASHER,FLAT 1/4 ZP	6
11	101404	BRKT,STOR-AWAY HOLDER, 2000	1
12	164142	BRACKET, SMV MOUNTING	1
13	174435	LAMP, AG RED SINGLE LED	2
14	174436	LAMP, AG AMBER SINGLE LED	2
15	174437	MODULE, AG FLASHER CONTROL	1
16	175151	HARNESS, LED WARNING LIGHTS	1
17	178514	HARNESS,7 PIN/4PIN WP, 10'	1
18	2-368-010287	HARNESS, STOR-A-WAY	1
19	214316	BRACKET-WARNING LAMP	2
20	214317	ANGLE-MOUNT, SMV	1
21	221954	BRACKET, LIGHT	2
22	70260977	SMV EMBLEM	1

# Wiring Diagram

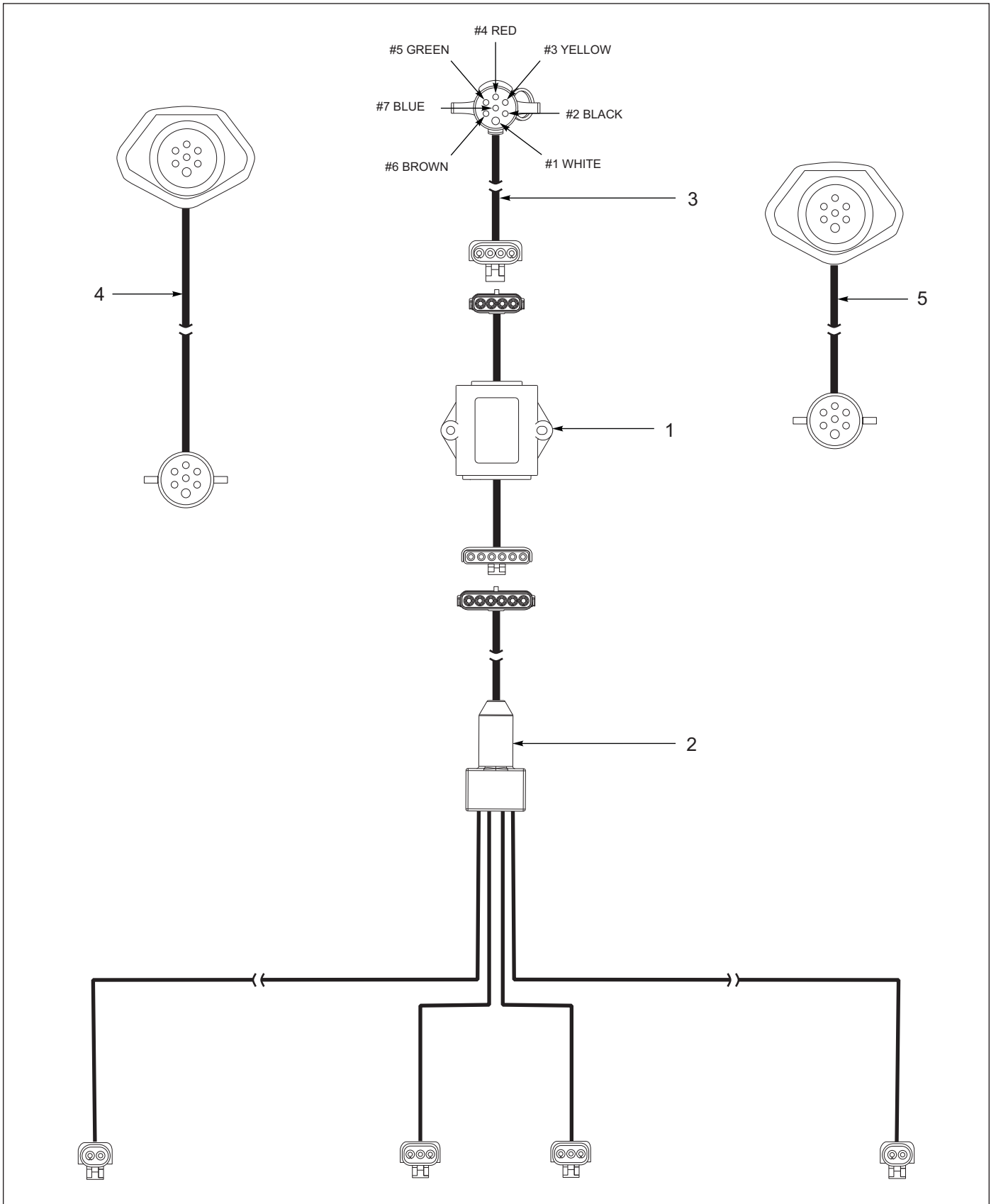


Figure 3-4: Wiring Diagram

## Wiring Diagram

ITEM	PART NUMBER	DESCRIPTION	QTY.
1	174437	MODULE, AG FLASHER CONTROL	1
2	175151	HARNESS, LED WARNING LIGHTS	1
3	178514	HARNESS,7 PIN/4PIN WP, 10'	1
4	221797	HARNESS-EXTENSION, 7 WAY X24'	1
5	223319	HARNESS-EXTENSION, 7WAY X 18'	1

## Hydraulics

### 2512 Folding Frame Hydraulic Diagram (AFTER 11/01/2021)

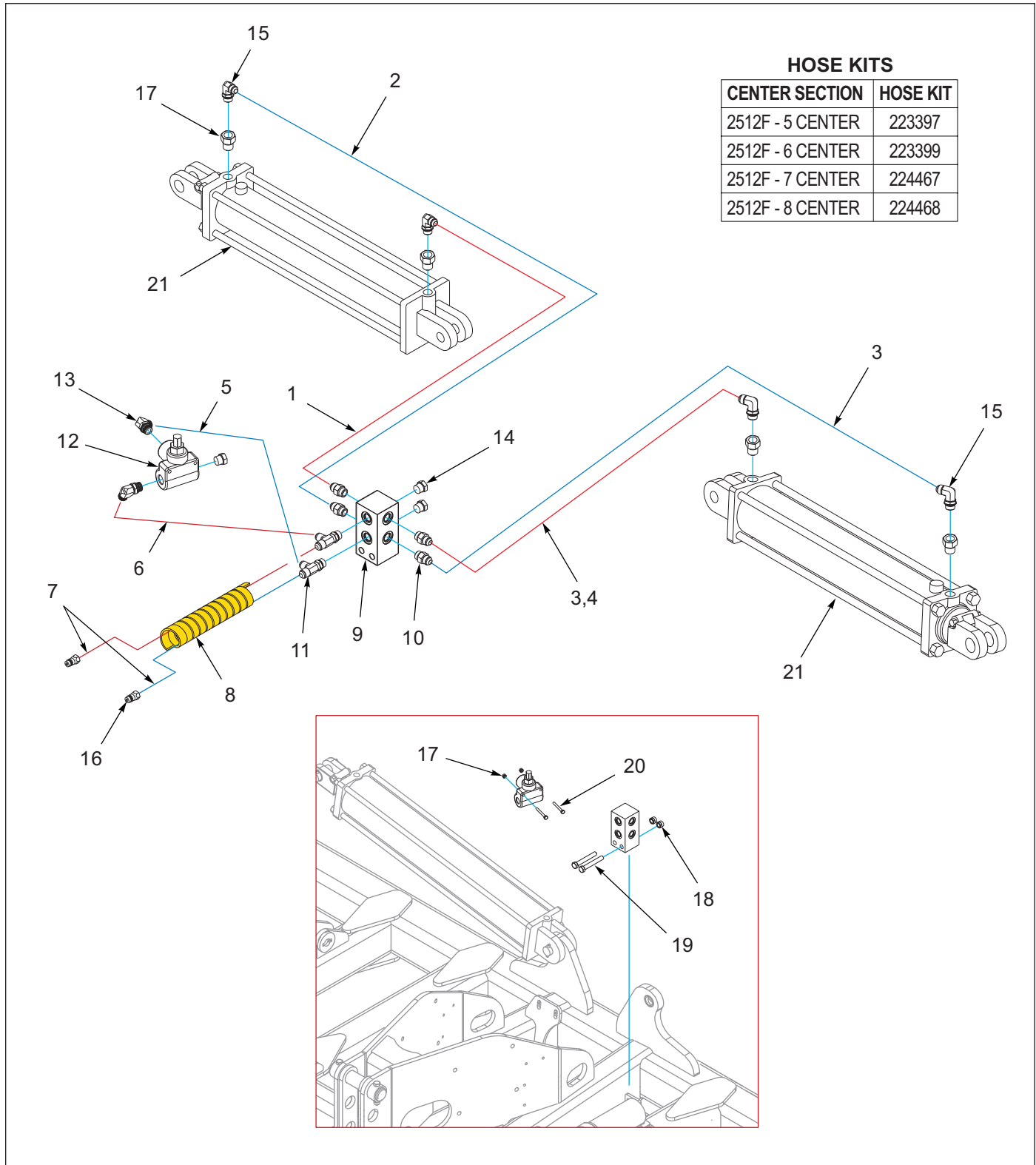


Figure 4-1: Folding Frame Hydraulic Diagram (AFTER 11/01/2021)

## 2512 Folding Frame Hydraulic Diagram (AFTER 11/01/2021)

ITEM	PART NUMBER	DESCRIPTION	QTY.
	223397	KIT-HYD,HOSE,2512F-5CT,RIPPER <b>(5 CENTER, MODELS 7, 9, 11N) (INCLUDES ITEMS 1 - 7)</b>	1
	223399	KIT-HYD,HOSE,2512F-6CT,RIPPER <b>(6 CENTER, MODELS 8, 10, 12) (INCLUDES ITEMS 1 - 7)</b>	1
	224467	KIT-HYD,HOSE,2512F-7CT,RIPPER <b>(7 CENTER, MODELS 11, 13, 15) (INCLUDES ITEMS 1 - 7)</b>	1
	224468	KIT-HYD,HOSE,2512F-8CT,RIPPER <b>(8 CENTER, MODELS 14, 16) (INCLUDES ITEMS 1 - 7)</b>	1
	223398	KIT-HYD ADAPTER, RIPPER <b>(INCLUDES ITEMS 8 - 20)</b>	1
1	1-397-010369036	HOSE ASSY 3/8X36,#8 JIC SWVL <b>(5 CENTER) (RH)</b>	1
1	208812	HOSE ASSY, 3/8X52,-8FJX,-8FJX <b>(6 CENTER) (RH)</b>	1
1	122910	HOSE ASSY 3/8X70,#8 JIC SWVL <b>(7 CENTER) (RH)</b>	1
1	122909	HOSE ASSY 3/8X82,#8 JIC SWVL <b>(8 CENTER) (RH)</b>	1
2	147583	HOSE ASSY 3/8X72 #8 JIC SWIV <b>(5 CENTER) (RH)</b>	1
2	192481	HOSE ASSY 3/8 X 88 <b>(6 CENTER) (RH)</b>	1
2	139213	HOSE ASSY 3/8X105 #8JIC SWIVL <b>(7 CENTER) (RH)</b>	1
2	1422177	HOSE ASM, 3/8 X 118.25 <b>(8 CENTER) (RH)</b>	1
3	186903	HOSE ASM,3/8 X 44,8FJS ENDS <b>(5 CENTER) (LH)</b>	2
3	147584	HOSE ASSY 3/8X40 #8 JIC SWIV <b>(6 CENTER) (LH)</b>	1
3	71508984	HOSE .38 X 42 <b>(7 CENTER) (LH)</b>	1
3	181801	HOSE ASSY, 3/8X58 #8 JIC SWIV <b>(8 CENTER) (LH)</b>	1
4	116432	HOSE ASSY, 3/8X60 #8 JIC SWV <b>(6 CENTER) (LH)</b>	1
4	209436	HOSE ASSY, 3/8X76,-8FJX,-8FJX <b>(7 CENTER) (LH)</b>	1
4	116433	HOSE ASSY 3/8X90 #8 JIC SWV <b>(8 CENTER) (LH)</b>	1
5	153841	HOSE ASSY 3/8X18 #8 JIC SWIV	1
6	71508954	HOSE ASSY .38X22IN	1
7	141876	HOSE ASSY 3/8X72 #8JICX#8OR	2
8	155529	HOSE WRAP, YELLOW 1" ID X 8"	1
9	2-474-010022	MANIFOLD HYDRAULIC, 6 HOSE	1
10	202702-8-8S	ADAPTER #8 O-RING TO #8 TUBE	4
11	203005-8-8S	ADAPTER,TEE,#8 O-RING-TUBE	2
12	165287	VALVE, RELIEF, 1000PSI	1
13	2062-8-8S	ADAPTER, 90, #8 O-RING-TUBE	2
14	1-007-010025	PLUG, 3/4-16 O-RING BOSS	3
15	141826	ELBOW 90 1/16 RES	4
16	141828	COUPLER,MALE 3/4-16 O-RING	2
17	1-512-010005-01	NUT,HEX,SLFLKG GRB 1/4-20	2
18	1-512-010005-09	NUT,HEX,SLFLKG, 1/2-13 GRB	2
19	1-654-010055-11	SCREW,HX CP 1/2-13UNCX3-1/2	2
20	111190	SCREW HX CP 1/4-20UNCX2-1/4G5	2
21	233870	CYLINDER, HYD 5 X 30, 3000 PSI <b>(SEE PAGE 4-24)</b>	2

2512 Folding Frame Hydraulic Diagram (BEFORE 11/01/2021)

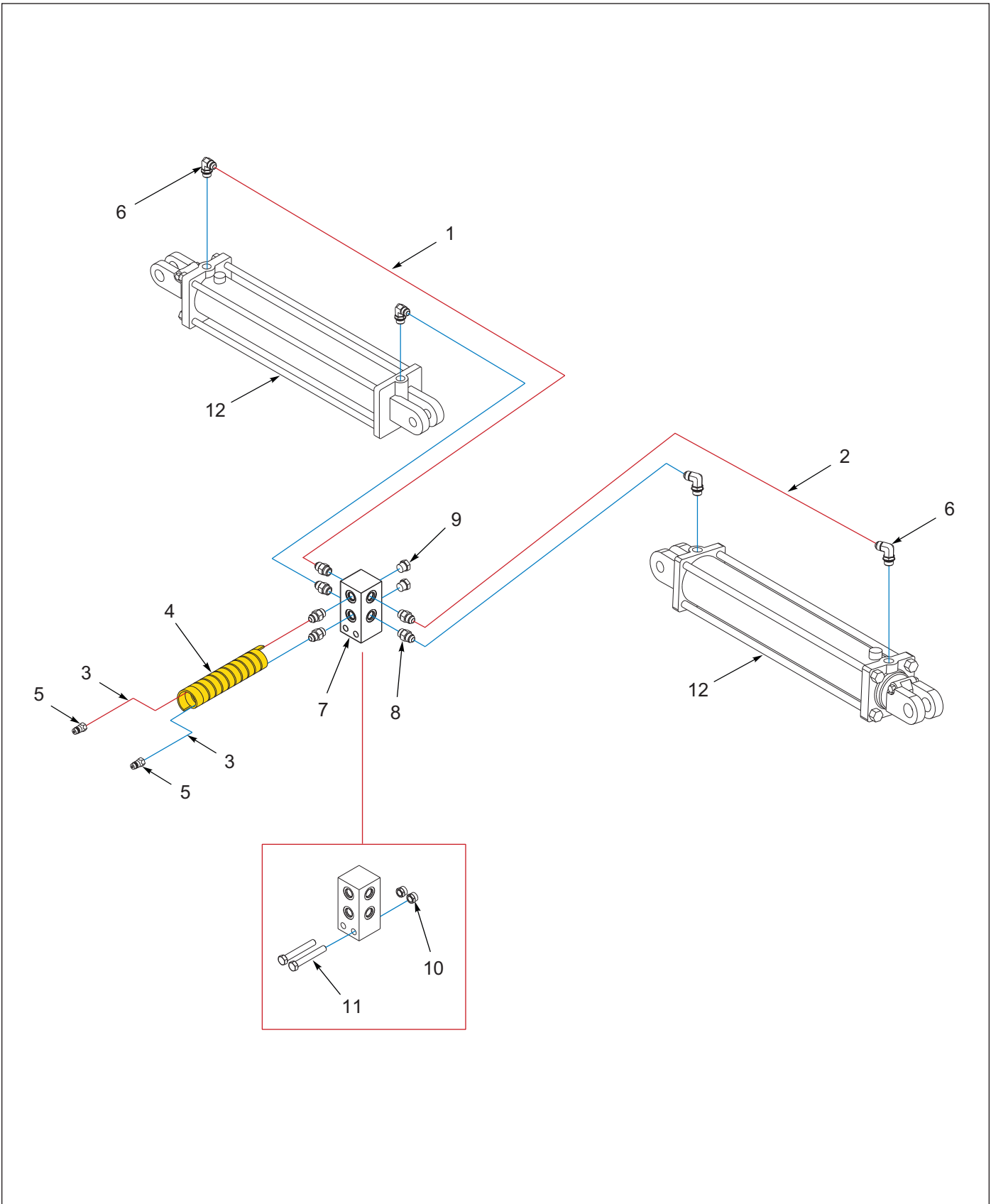


Figure 4-2: Folding Frame Hydraulic Diagram (BEFORE 11/01/2021)

## 2512 Folding Frame Hydraulic Diagram (BEFORE 11/01/2021)

ITEM	PART NUMBER	DESCRIPTION	QTY.
	223397	KIT-HYD,HOSE,2512F-5CT,RIPPER <b>(5 CENTER, MODELS 7, 9, 11N) (INCLUDES ITEMS 1 - 4)</b>	1
	223399	KIT-HYD,HOSE,2512F-6CT,RIPPER <b>(6 CENTER, MODELS 8, 10, 12) (INCLUDES ITEMS 1 - 4)</b>	1
	224467	KIT-HYD,HOSE,2512F-7CT,RIPPER <b>(7 CENTER, MODELS 11, 13, 15) (INCLUDES ITEMS 1 - 4)</b>	1
	224468	KIT-HYD,HOSE,2512F-8CT,RIPPER <b>(8 CENTER, MODELS 14, 16) (INCLUDES ITEMS 1 - 4)</b>	1
	223398	KIT-HYD ADAPTER, RIPPER <b>(INCLUDES ITEMS 5 - 11)</b>	1
1	147584	HOSE ASSY 3/8X40 #8 JIC SWIV <b>(5 CENTER)</b>	2
1	123547	HOSE ASSY 3/8X56 #8 JIC SWIVL <b>(6 CENTER)</b>	2
1	122910	HOSE ASSY 3/8X70,#8 JIC SWVL <b>(7 CENTER)</b>	2
1	71508987	HOSE ASSY 3/8 X 86 <b>(8 CENTER)</b>	2
2	147583	HOSE ASSY 3/8X72 #8 JIC SWIV <b>(5 CENTER)</b>	2
2	192481	HOSE ASSY 3/8 X 88 <b>(6 CENTER)</b>	2
2	139213	HOSE ASSY 3/8X105 #8JIC SWIVEL <b>(7 CENTER)</b>	2
2	166171	HOSE ASSY 3/8X114 #8JIC SWIV <b>(8 CENTER)</b>	2
3	141876	HOSE ASSY 3/8X72 #8JICX#8OR	2
4	155529	HOSE WRAP, YELLOW 1" ID X 8"	1
5	141828	COUPLER,MALE 3/4-16 O-RING	2
6	141826	ELBOW 90 1/16 RES	4
7	2-474-010022	MANIFOLD HYDRAULIC, 6 HOSE	1
8	202702-8-8S	ADAPTER #8 O-RING TO #8 TUBE	6
9	1-007-010025	PLUG, 3/4-16 O-RING BOSS	2
10	1-512-010005-09	NUT,HEX,SLFLKG, 1/2-13 GRB	2
11	1-654-010055-11	SCREW,HX CP 1/2-13UNCX3-1/2	2
12	108331	CYLINDER, HYD 4X24 SP <b>(SEE PAGE 4-21)</b>	2



## 2512 Accumulator Bladder

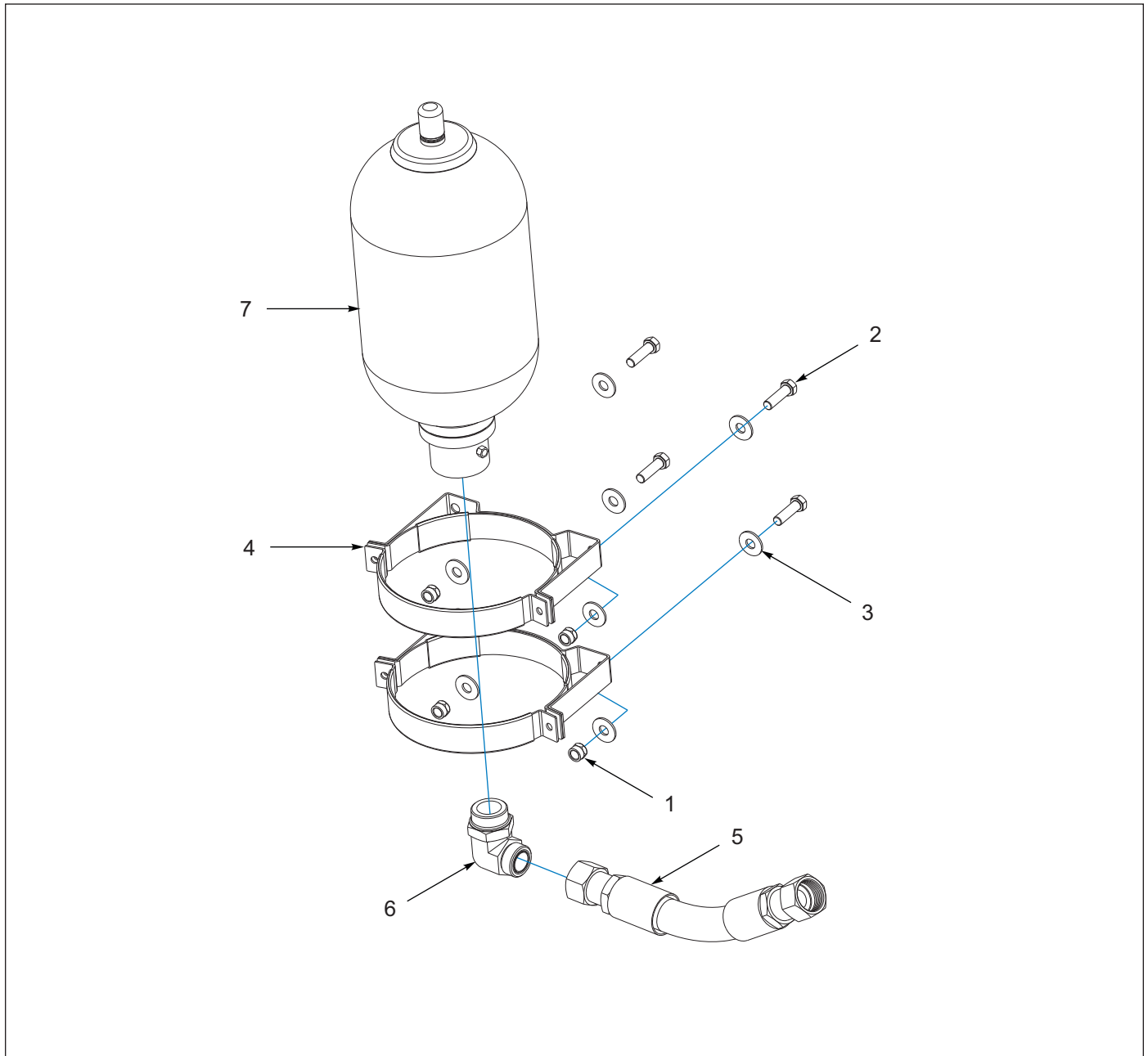


Figure 4-3: 2512 Accumulator Bladder

## 2512 Accumulator Bladder

ITEM	PART NUMBER	DESCRIPTION	QTY.
1	1-512-010005-09	NUT,HEX,SLFLKG, 1/2-13 GRB	18
2	1-654-010055-04	SCREW,HEX CAP,1/2-13UNCX1-3/4	4
3	1-861-010032-14	WASHER,FLAT 1/2" N ZP/CD	8
4	201321	BRACKET-MOUNTING, ACCUMULATOR <b>(COMES WITH NUTS, WASHERS AND BOLTS)</b>	2
5	214307	HOSE,HYD,1-1/4X15-7/32,ASM	1
6	214310	ADAPTER,-20 ORS X -24ORB, 90	1
7	217183	ACCUMULATOR-BLADR, 10 L.3000PSI	1

HYDRAULICS

2512 Hydraulics, 4 Shank

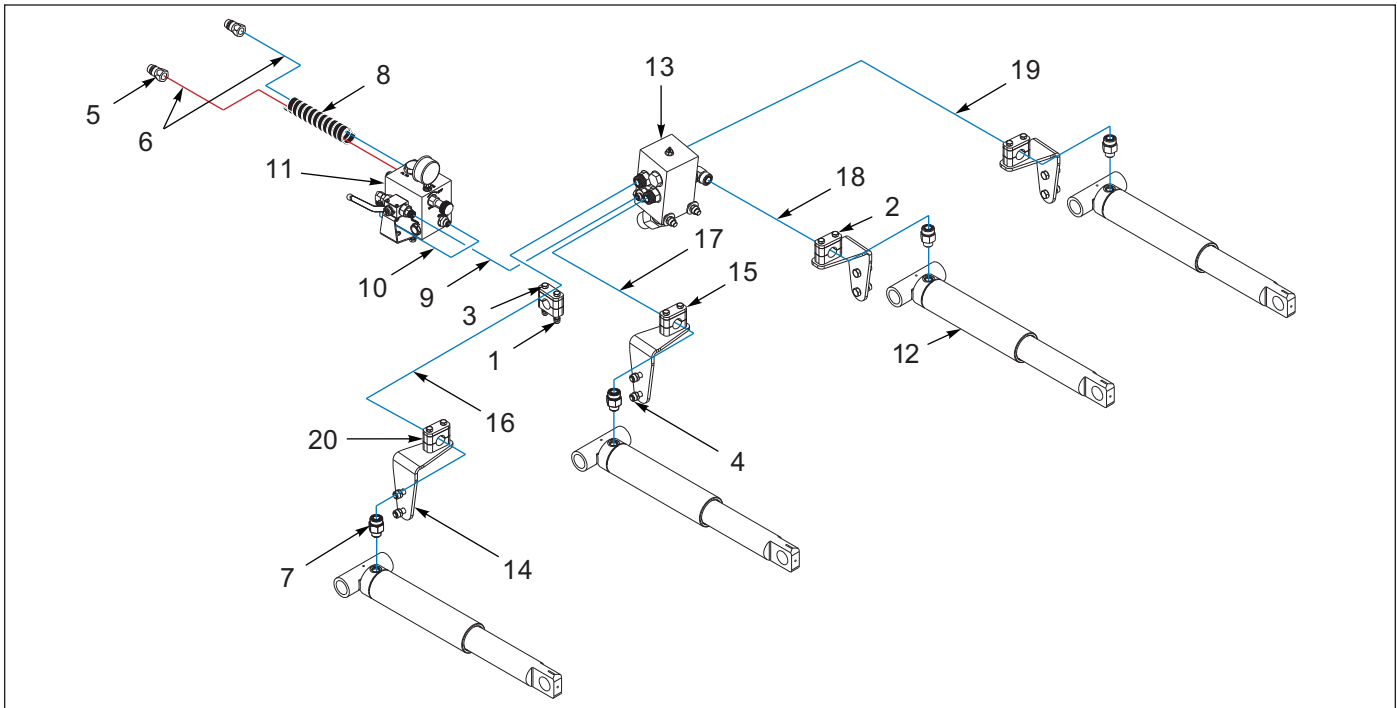


Figure 4-4: 2512 Hydraulics, 4 Shank

2512 Hydraulics, 4 Shank

ITEM	PART NUMBER	DESCRIPTION	QTY.
	214376	KIT-HYDRAULIC, 2512-4	1
	217199	KIT-HYDRAULIC, 2512-4,SETBACK	1
1	1-512-010005-05	NUT, HEX, SLFLKG GRB 3/8-16	10
2	1-654-010051-13	SCREW,HX CP,3/8-16UNCX3,GR5	8
3	1-654-010051-14	SCREW HX CP 3/8-16UNCX3-1/4G5	2
4	1-654-010055-03	SCREW,HEX CAP,1/2-13UNCX1-1/2	8
5	141828	COUPLER,MALE 3/4-16 O-RING	2
6	141877	HOSE ASSY 3/8X75 #8JICX#8OR	2
7	247304	ADAPTER,FLOW CK,-10 ORB,-12ORS (AFTER 06/07/2023)	4
7	142337	ADAPTER,#12 ORS X #10 ORB ST (BEFORE 06/07/2023)	4
8	155530	HOSE WRAP, BLACK 1" ID X 8"	1
9	156318	HOSE,6ORS-STX6ORS-STX6-30	1
10	162572	HOSE,6ORS-STX6ORS-90MX6-26	1
11	203386	MANIFOLD ASSY DRAFT COMP (SEE PAGE 4-17)	1
12	209372	CYLINDER-SA,3 X 9-1/2 DISP (SEE PAGE 4-22)	4
13	214305	MANIFOLD-SHANK CYLINDER, 2512 (SEE PAGE 4-20)	1
14	214315	BRACKET-CLAMP, HOSE	4
15	214346	PLATE-COVER, CLAMP	5
16	217211	HOSE 3/4X97,-12ORS,-12ORS90S	1
17	217212	HOSE 3/4X67,-12ORS,-12ORS90S (WITHOUT SETBACK)	1
17	217216	HOSE 3/4X77,-12ORS,-12ORS90S (WITH SETBACK)	1
18	217213	HOSE 3/4X55,-12ORS,-12ORS90S	1
19	217219	HOSE, 3/4X87,-12ORS,-12ORS90S (WITHOUT SETBACK)	1
19	217211	HOSE 3/4X97,-12ORS,-12ORS90S (WITH SETBACK)	1
20	217988	CLAMP-HOSE, 1-1/8	5

## 2512 Hydraulics, 5 Shank

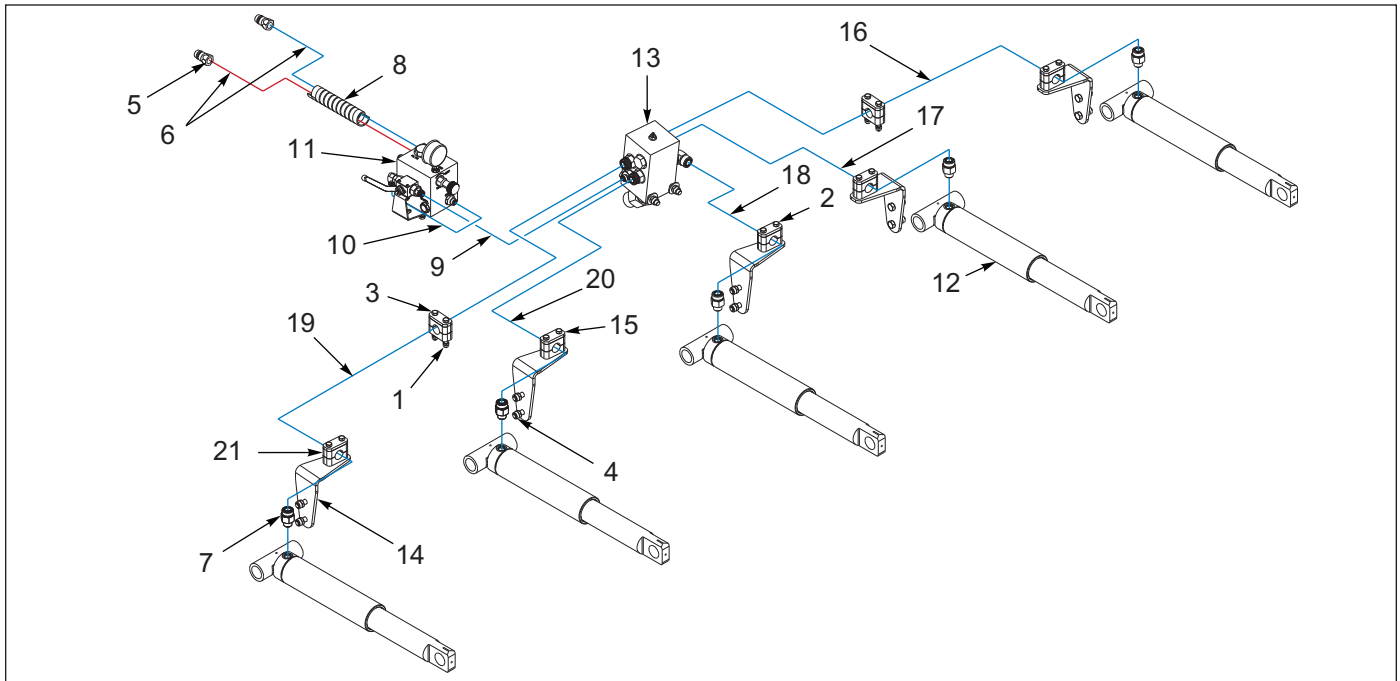


Figure 4-5: 2512 Hydraulics, 5 Shank

## 2512 Hydraulics, 5 Shank

ITEM	PART NUMBER	DESCRIPTION	QTY.
	214377	KIT-HYDRAULIC, 2512-5	1
	217200	KIT-HYDRAULIC, 2512-5,SETBACK	1
1	1-512-010005-05	NUT, HEX, SLFLKG GRB 3/8-16	14
2	1-654-010051-13	SCREW,HX CP,3/8-16UNCX3,GR5	10
3	1-654-010051-14	SCREW HX CP 3/8-16UNCX3-1/4G5	4
4	1-654-010055-03	SCREW,HEX CAP,1/2-13UNCX1-1/2	8
5	141828	COUPLER,MALE 3/4-16 O-RING	2
6	141877	HOSE ASSY 3/8X75 #8JICX#8OR	2
7	247304	ADAPTER,FLOW CK,-10 ORB,-12ORS (AFTER 06/07/2023)	5
7	142337	ADAPTER,#12 ORS X #10 ORB ST (BEFORE 06/07/2023)	5
8	155530	HOSE WRAP, BLACK 1" ID X 8"	1
9	156318	HOSE,6ORS-STX6ORS-STX6-30	1
10	162572	HOSE,6ORS-STX6ORS-90MX6-26	1
11	203386	MANIFOLD ASSY DRAFT COMP (SEE PAGE 4-17)	1
12	209372	CYLINDER-SA,3 X 9-1/2 DISP (SEE PAGE 4-22)	5
13	214305	MANIFOLD-SHANK CYLINDER, 2512 (SEE PAGE 4-20)	1
14	214315	BRACKET-CLAMP, HOSE	5
15	214346	PLATE-COVER, CLAMP	5
16	217211	HOSE 3/4X97,-12ORS,-12ORS90S	1
17	217212	HOSE 3/4X67,-12ORS,-12ORS90S (WITHOUT SETBACK)	1
17	217216	HOSE, 3/4X77,-12ORS,-12ORS90S (WITH SETBACK)	1
18	217213	HOSE 3/4X55,-12ORS,-12ORS90S	1
19	217215	HOSE 3/4X107,-12ORS,-12ORS90S	1
20	217216	HOSE 3/4X77,-12ORS,-12ORS90S (WITHOUT SETBACK)	1
20	217219	HOSE 3/4X87,-12ORS,-12ORS90S (WITH SETBACK)	1
21	217988	CLAMP-HOSE, 1-1/8	7

HYDRAULICS

2512 Hydraulics, 6 Shank

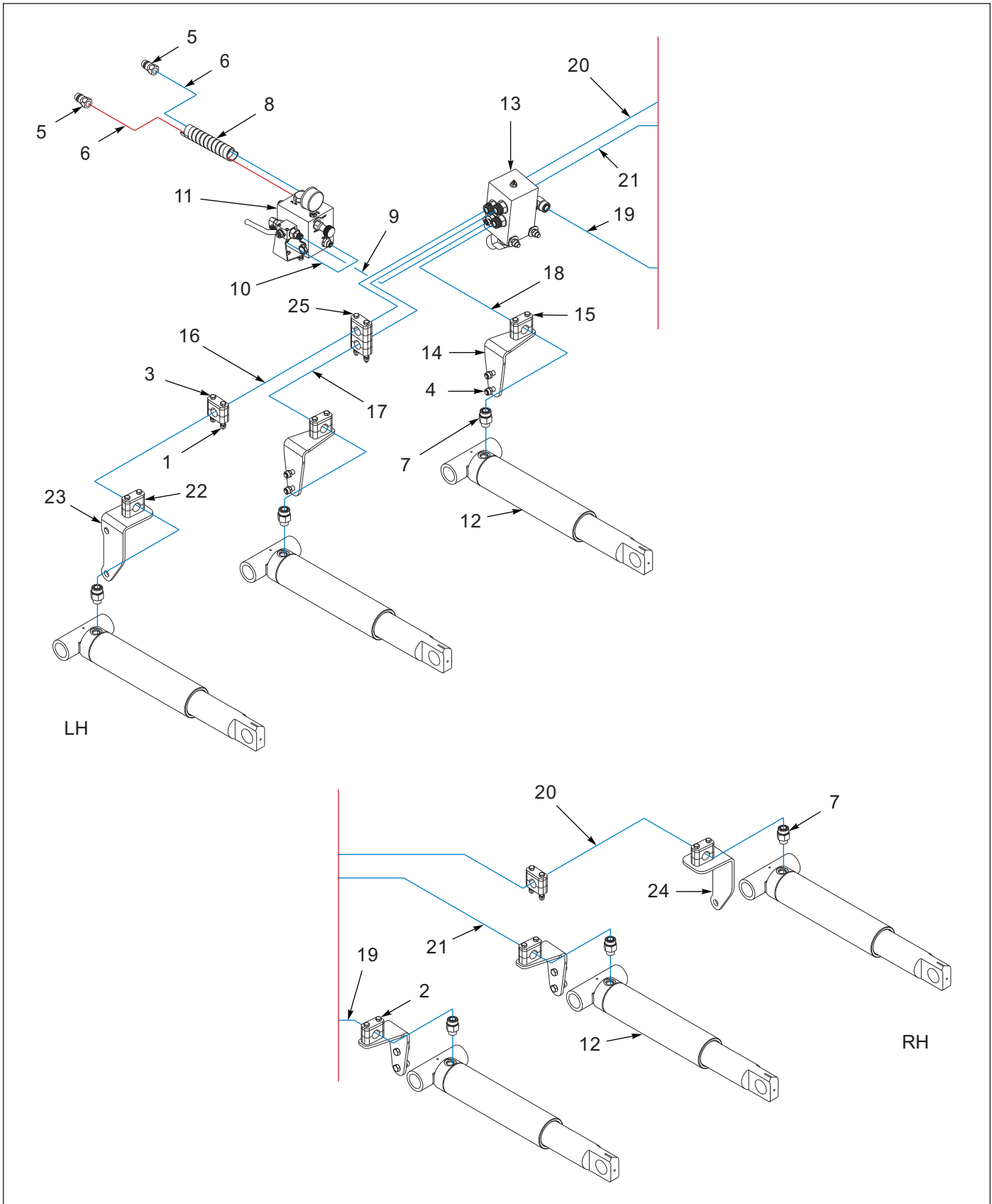


Figure 4-6: 2512 Hydraulics, 6 Shank

## 2512 Hydraulics, 6 Shank

ITEM	PART NUMBER	DESCRIPTION	QTY.
	214378	KIT-HYDRAULIC, 2512-6	1
	217201	KIT-HYDRAULIC, 2512-6,SETBACK	1
1	1-512-010005-05	NUT, HEX, SLFLKG GRB 3/8-16	18
2	1-654-010051-13	SCREW,HX CP,3/8-16UNCX3,GR5	12
3	1-654-010051-14	SCREW HX CP 3/8-16UNCX3-1/4G5	4
4	1-654-010055-03	SCREW,HEX CAP,1/2-13UNCX1-1/2	8
5	141828	COUPLER,MALE 3/4-16 O-RING	2
6	141877	HOSE ASSY 3/8X75 #8JICX#8OR	2
7	247304	ADAPTER,FLOW CK,-10 ORB,-12ORS <b>(AFTER 06/07/2023)</b>	6
7	142337	ADAPTER,#12 ORS X #10 ORB ST <b>(BEFORE 06/07/2023)</b>	6
8	155530	HOSE WRAP, BLACK 1" ID X 8"	1
9	156318	HOSE,6ORS-STX6ORS-STX6-30	1
10	162572	HOSE,6ORS-STX6ORS-90MX6-26	1
11	203386	MANIFOLD ASSY DRAFT COMP <b>(SEE PAGE 4-17)</b>	1
12	209372	CYLINDER-SA,3 X 9-1/2 DISP <b>(SEE PAGE 4-22)</b>	6
13	214305	MANIFOLD-SHANK CYLINDER, 2512 <b>(SEE PAGE 4-20)</b>	1
14	214315	BRACKET-CLAMP, HOSE	4
15	214346	PLATE-COVER, CLAMP	9
16	217210	HOSE 3/4X127,-12ORS,-12ORS90S <b>(WITHOUT SETBACK)</b>	1
16	217214	HOSE 3/4X137,-12ORS,-12ORS90S <b>(WITH SETBACK)</b>	1
17	217211	HOSE 3/4X97,-12ORS,-12ORS90S	1
18	217212	HOSE 3/4X67,-12ORS,-12ORS90S <b>(WITHOUT SETBACK)</b>	1
18	217216	HOSE 3/4X77,-12ORS,-12ORS90S <b>(WITH SETBACK)</b>	1
19	217213	HOSE 3/4X55,-12ORS,-12ORS90S	1
20	217217	HOSE 3/4X107,-12ORS,-12ORS90S	1
21	217219	HOSE 3/4X77,-12ORS,-12ORS90S <b>(WITHOUT SETBACK)</b>	1
21	217211	HOSE 3/4X97,-12ORS,-12ORS90S <b>(WITH SETBACK)</b>	1
22	217988	CLAMP-HOSE, 1-1/8	10
23	214260	BRACKET-MOUNT, HOSE CLAMP, LH	1
24	214261	BRACKET-MOUNT, HOSE CLAMP, RH	1
25	185216	SCREW,HXCAP3/8-16UNCX5-1/4GR5	2

HYDRAULICS

2512 Hydraulics, 7 Shank (Rigid and Folding)

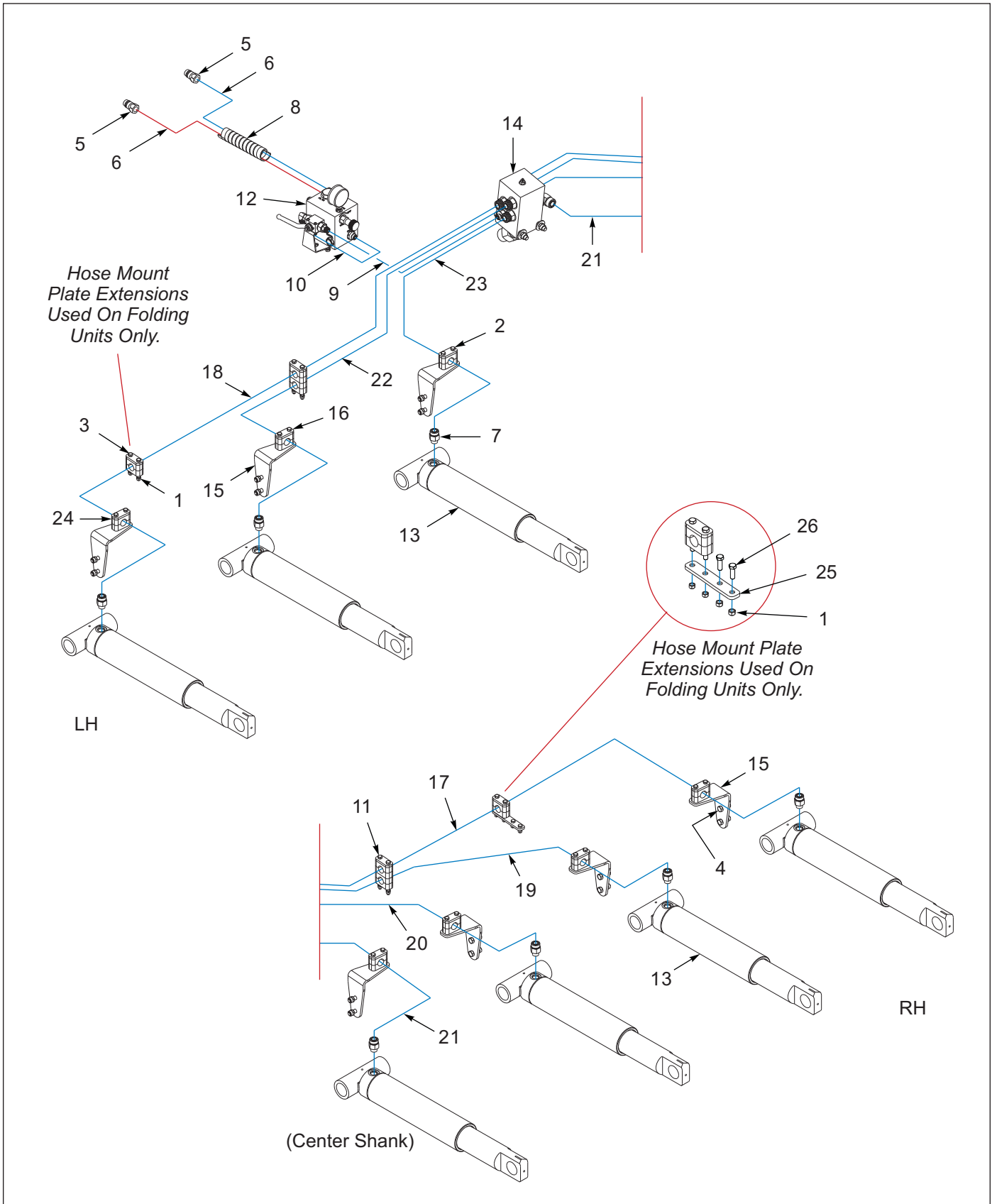


Figure 4-7: 2512 Hydraulics, 7 Shank (Rigid and Folding)

## 2512 Hydraulics, 7 Shank (Rigid and Folding)

ITEM	PART NUMBER	DESCRIPTION	QTY.
	214297	KIT-HYDRAULIC, 2512-7 ( <b>RIGID</b> )	1
	217202	KIT-HYDRAULIC, 2512-7, SETBACK ( <b>RIGID</b> )	1
	221737	KIT-HYD HOSE, 2512F-7 ( <b>FOLDING</b> )	1
	221747	KIT-HYD,HOSE,2512F-7,W/SB ( <b>FOLDING</b> )	1
1	1-512-010005-05	NUT, HEX, SLFLKG GRB 3/8-16	26
2	1-654-010051-13	SCREW,HX CP,3/8-16UNCX3,GR5	14
3	1-654-010051-14	SCREW HX CP 3/8-16UNCX3-1/4G5	4
4	1-654-010055-03	SCREW,HEX CAP,1/2-13UNCX1-1/2	14
5	141828	COUPLER,MALE 3/4-16 O-RING	2
6	141877	HOSE ASSY 3/8X75 #8JICX#8OR	2
7	247304	ADAPTER,FLOW CK,-10 ORB,-12ORS ( <b>AFTER 06/07/2023</b> )	7
7	142337	ADAPTER,#12 ORS X #10 ORB ST ( <b>BEFORE 06/07/2023</b> )	7
8	155530	HOSE WRAP, BLACK 1" ID X 8"	1
9	156318	HOSE,6ORS-STX6ORS-STX6-30	1
10	162572	HOSE,6ORS-STX6ORS-90MX6-26	1
11	185216	SCREW, HEX CAP 3/8-16UNCX5-184 GR5	4
12	203386	MANIFOLD ASSY DRAFT COMP ( <b>SEE PAGE 4-17</b> )	1
13	209372	CYLINDER-SA,3 X 9-1/2 DISP ( <b>SEE PAGE 4-22</b> )	7
14	214305	MANIFOLD-SHANK CYLINDER, 2512 ( <b>SEE PAGE 4-20</b> )	1
15	214315	BRACKET-CLAMP, HOSE	7
16	214346	PLATE-COVER, CLAMP	11
17	227280	HOSE,3/4X142,-12ORS,-12ORS90S ( <b>FOLDING AFTER 11/01/2021</b> )	
17	217210	HOSE 3/4X127,-12ORS,-12ORS90S ( <b>RIGID</b> )	1
18	227281	HOSE,3/4X152,-12ORS,-12ORS90S ( <b>FOLDING AFTER 11/01/2021</b> )	1
18	217214	HOSE 3/4X137,-12ORS,-12ORS90S ( <b>RIGID</b> )	1
19	217211	HOSE 3/4X97,-12ORS,-12ORS90S ( <b>WITHOUT SETBACK</b> )	1
19	217215	HOSE 3/4X107,-12ORS,-12ORS90S ( <b>WITH SETBACK</b> )	1
20	217212	HOSE 3/4X67,-12ORS,-12ORS90S	1
21	217213	HOSE 3/4X55,-12ORS,-12ORS90S ( <b>WITHOUT SETBACK</b> )	1
21	217212	HOSE 3/4X67,-12ORS,-12ORS90S ( <b>WITH SETBACK</b> )	1
22	217215	HOSE 3/4X107,-12ORS,-12ORS90S ( <b>WITHOUT SETBACK</b> )	1
22	217217	HOSE,3/4X117,-12ORS,-12ORS90S ( <b>WITH SETBACK</b> )	1
23	217216	HOSE 3/4X77,-12ORS,-12ORS90S	1
24	217988	CLAMP-HOSE, 1-1/8	13
25	227876	PLATE-EXTENSION, HOSE MOUNT ( <b>FOLDING UNITS ONLY</b> )	6
26	1-654-010051-07	SCREW, HEX CAP, 3/8-16UNCX1-1/2 ( <b>FOLDING UNITS ONLY</b> )	4

HYDRAULICS

2512 Hydraulics, 8 Shank (Rigid and Folding)

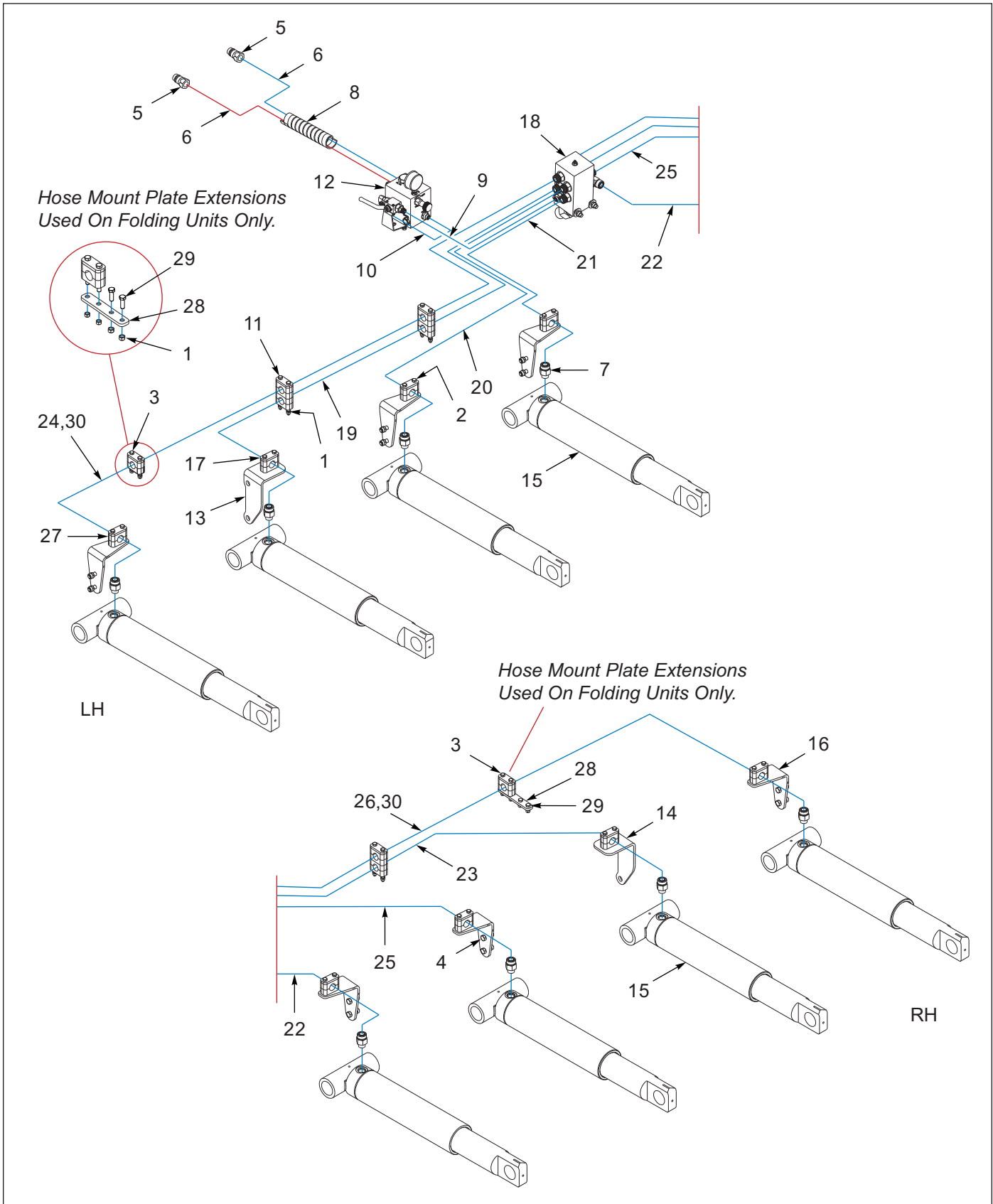


Figure 4-8: 2512 Hydraulics, 8 Shank (Rigid and Folding)

## 2512 Hydraulics, 8 Shank (Rigid and Folding)

ITEM	PART NUMBER	DESCRIPTION	QTY.
	214381	KIT-HYDRAULIC, 2512-8 <b>(RIGID)</b>	1
	217203	KIT-HYDRAULIC, 2512-8,SETBACK <b>(RIGID)</b>	1
	221738	KIT-HYD,HOSE,2512F-8 <b>(FOLDING)</b>	1
	221748	KIT-HYD,HOSE,2512F-8,W/SB <b>(FOLDING)</b>	1
1	1-512-010005-05	NUT, HEX, SLFLKG GRB 3/8-16	30
2	1-654-010051-13	SCREW,HX CP,3/8-16UNCX3,GR5	16
3	1-654-010051-14	SCREW HX CP 3/8-16UNCX3-1/4G5	4
4	1-654-010055-03	SCREW,HEX CAP,1/2-13UNCX1-1/2	12
5	141828	COUPLER,MALE 3/4-16 O-RING	2
6	141877	HOSE ASSY 3/8X75 #8JICX#8OR	2
7	247304	ADAPTER,FLOW CK,-10 ORB,-12ORS <b>(AFTER 06/07/2023)</b>	8
7	142337	ADAPTER,#12 ORS X #10 ORB ST <b>(BEFORE 06/07/2023)</b>	8
8	155530	HOSE WRAP, BLACK 1" ID X 8"	1
9	156318	HOSE,6ORS-STX6ORS-STX6-30	1
10	162572	HOSE,6ORS-STX6ORS-90MX6-26	1
11	185216	SCREW, HEX CAP 3/8-16UNCX5-184 GR5	6
12	203386	MANIFOLD ASSY DRAFT COMP <b>(SEE PAGE 4-17)</b>	1
13	214260	BRACKET-MOUNT, HOSE CLAMP, LH	1
14	214261	BRACKET-MOUNT, HOSE CLAMP, RH	1
15	209372	CYLINDER-SA,3 X 9-1/2 DISP <b>(SEE PAGE 4-22)</b>	8
16	214315	BRACKET-CLAMP, HOSE	6
17	214346	PLATE-COVER, CLAMP	13
18	214355	MANIFOLD-SHANK CYLINDER, 2512 <b>(SEE PAGE 4-20)</b>	1
19	217210	HOSE 3/4X127,-12ORS,-12ORS90S <b>(WITHOUT SETBACK)</b>	1
19	217214	HOSE 3/4X137,-12ORS,-12ORS90S <b>(WITH SETBACK)</b>	1
20	217211	HOSE 3/4X97,-12ORS,-12ORS90S	1
21	217212	HOSE 3/4X67,-12ORS,-12ORS90S <b>(WITHOUT SETBACK)</b>	1
21	217216	HOSE 3/4X77,-12ORS,-12ORS90S <b>(WITH SETBACK)</b>	1
22	217213	HOSE 3/4X55,-12ORS,-12ORS90S	1
23	217217	HOSE 3/4X117,-12ORS,-12ORS90S	1
24	217218	HOSE, 3/4X157,-12ORS,-12ORS90S <b>(BEFORE 11/01/2021)</b> <b>(SEE #30 FOR AFTER 11/01/2021)</b>	1
25	217219	HOSE 3/4X77,-12ORS,-12ORS90S <b>(WITHOUT SETBACK)</b>	1
25	217211	HOSE 3/4X97,-12ORS,-12ORS90S <b>(WITH SETBACK)</b>	1
26	227282	HOSE,3/4X163,-12ORS,-12ORS90S <b>(WITHOUT SETBACK)</b> <b>(AFTER 11/01/2021)</b>	1
26	217220	HOSE, 3/4X147,-12ORS,-12ORS90S <b>(WITHOUT SETBACK)</b> <b>(BEFORE 11/01/2021)</b>	1
26	217218	HOSE 3/4X157,-12ORS,-12ORS90S <b>(WITH SETBACK BEFORE 11/01/2021)</b> <b>(SEE #30 FOR WITH SETBACK AFTER 11/01/2021)</b>	1
27	217988	CLAMP-HOSE, 1-1/8	18
28	227876	PLATE-EXTENSION, HOSE MOUNT <b>(FOLDING UNITS ONLY)</b>	6
29	1-654-010051-07	SCREW, HEX CAP, 3/8-16UNCX1-1/2 <b>(FOLDING UNITS ONLY)</b>	4
30	227283	HOSE,3/4X172,-12ORS,-12ORS90S <b>(AFTER 11/01/2021)</b> <b>(OUTER LH HOSE, QTY=1)</b> <b>(OUTER RH HOSE WITH SETBACK, QTY=1)</b>	REF

HYDRAULICS

2512 Hydraulics, 9 Shank (Folding)

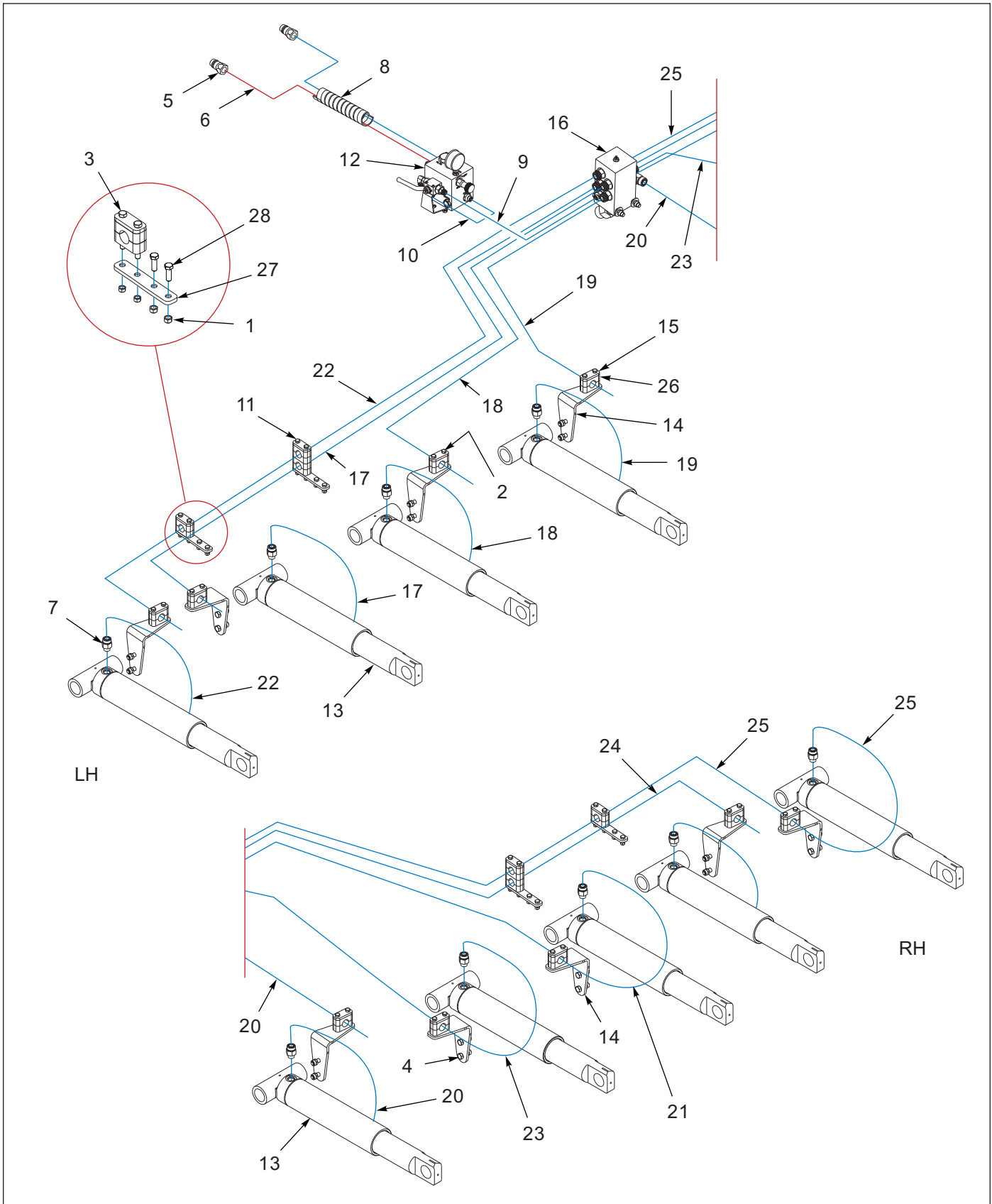


Figure 4-9: 2512 Hydraulics, 9 Shank (Folding)

## 2512 Hydraulics, 9 Shank (Folding)

ITEM	PART NUMBER	DESCRIPTION	QTY.
	221739	KIT-HYD,HOSE,2512F-9	1
	221749	KIT-HYD,HOSE,2512F-9,W/SB	1
1	1-512-010005-05	NUT, HEX, SLFLKG GRB 3/8-16	26
2	1-654-010051-13	SCREW,HX CP,3/8-16UNCX3,GR5	14
3	1-654-010051-14	SCREW HX CP 3/8-16UNCX3-1/4G5	4
4	1-654-010055-03	SCREW,HEX CAP,1/2-13UNCX1-1/2	14
5	141828	COUPLER,MALE 3/4-16 O-RING	2
6	141877	HOSE ASSY 3/8X75 #8JICX#8OR	2
7	247304	ADAPTER,FLOW CK,-10 ORB,-12ORS <b>(AFTER 06/07/2023)</b>	9
7	142337	ADAPTER,#12 ORS X #10 ORB ST <b>(BEFORE 06/07/2023)</b>	9
8	155530	HOSE WRAP, BLACK 1" ID X 8"	1
9	156318	HOSE,6ORS-STX6ORS-STX6-30	1
10	162572	HOSE,6ORS-STX6ORS-90MX6-26	1
11	185216	SCREW, HEX CAP 3/8-16UNCX5-184 GR5	4
12	203386	MANIFOLD ASSY DRAFT COMP <b>(SEE PAGE 4-17)</b>	1
13	209372	CYLINDER-SA,3 X 9-1/2 DISP <b>(SEE PAGE 4-22)</b>	9
14	214315	BRACKET-CLAMP, HOSE	9
15	214346	PLATE-COVER, CLAMP	11
16	214355	MANIFOLD-SHANK CYLINDER, 2512 <b>(SEE PAGE 4-20)</b>	1
17	227281	HOSE 3/4X152,-12ORS,-12ORS90S <b>(WITHOUT SETBACK)</b>	1
17	227282	HOSE 3/4X162,-12ORS,-12ORS90S <b>(WITH SETBACK)</b>	1
18	217215	HOSE 3/4X107,-12ORS,-12ORS90S	1
19	217216	HOSE 3/4X77,-12ORS,-12ORS90S <b>(WITHOUT SETBACK)</b>	1
19	217219	HOSE 3/4X87,-12ORS,-12ORS90S <b>(WITH SETBACK)</b>	1
20	217213	HOSE 3/4X55,-12ORS,-12ORS90S	1
21	217211	HOSE 3/4X97,-12ORS,-12ORS90S	1
22	227284	HOSE,3/4X182,-12ORS,-12ORS90S <b>(AFTER 11/01/2021)</b>	1
22	217221	HOSE, 3/4X167,-12ORS,-12ORS90S <b>(BEFORE 11/01/2021)</b>	1
23	217212	HOSE 3/4X67,-12ORS,-12ORS90S <b>(WITHOUT SETBACK)</b>	1
23	217216	HOSE 3/4X77,-12ORS,-12ORS90S <b>(WITH SETBACK)</b>	1
24	227280	HOSE, 3/4X142,-12ORS,-12ORS90S <b>(WITHOUT SETBACK)</b>	1
24	217281	HOSE, 3/4X152,-12ORS,-12ORS90S <b>(WITH SETBACK)</b>	1
25	227283	HOSE,3/4X172,-12ORS,-12ORS90S <b>(AFTER 11/01/2021)</b>	1
25	217218	HOSE,3/4X157,-12ORS,-12ORS90S <b>(BEFORE 11/01/2021)</b>	1
26	217988	CLAMP-HOSE, 1-1/8	15
27	227876	PLATE-EXTENSION, HOSE MOUNT <b>(FOLDING UNITS ONLY)</b>	8
28	1-654-010051-07	SCREW, HEX CAP, 3/8-16UNCX1-1/2 <b>(FOLDING UNITS ONLY)</b>	8

# Manifold-Draft Assembly

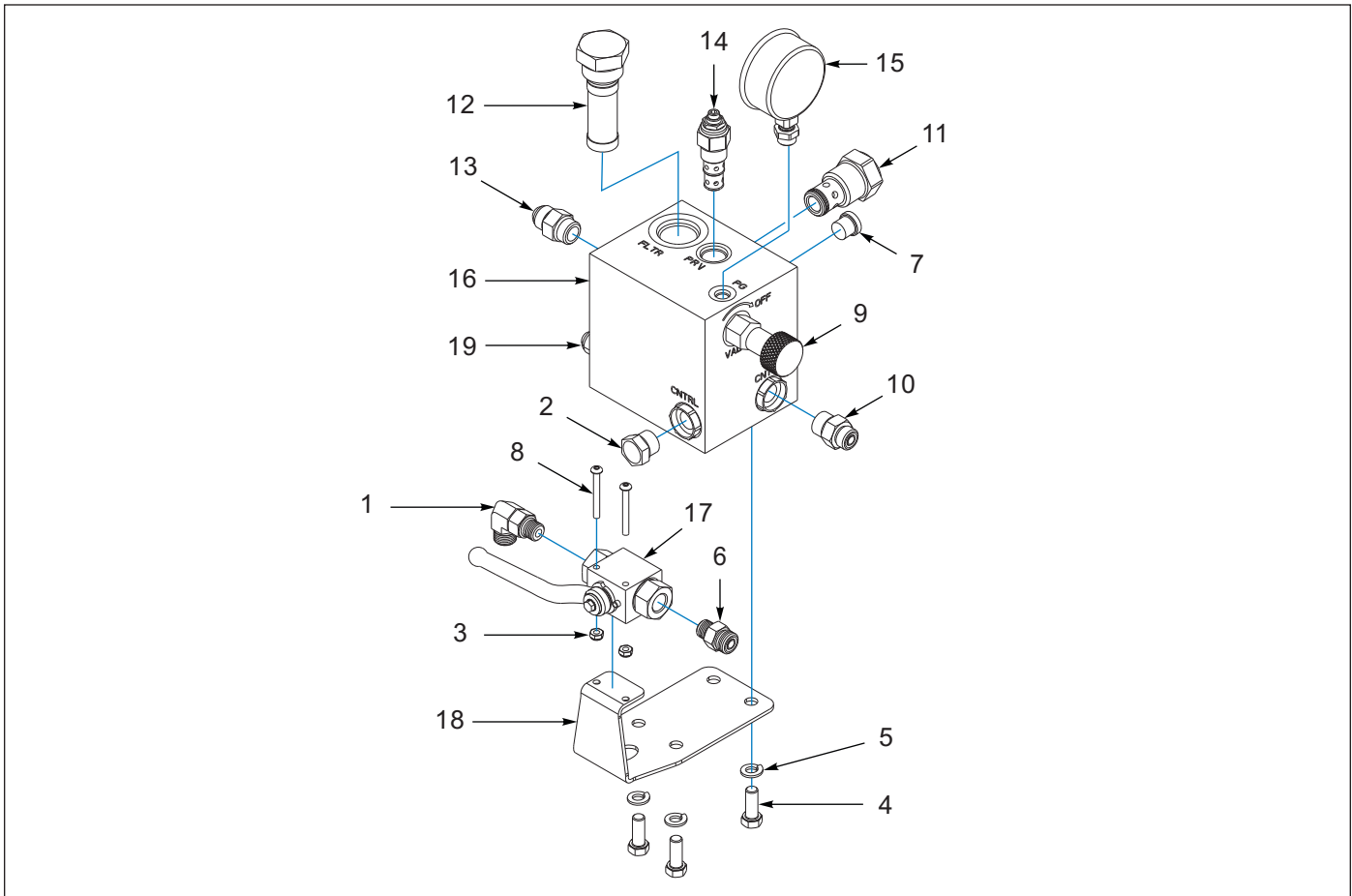


Figure 4-10: Manifold-Draft Assembly

# Manifold-Draft Assembly

ITEM	PART NUMBER	DESCRIPTION	QTY.
1	0018136	ADAPTER,6ORSX6ORB, 90 S	1
2	1-007-010025	PLUG, 3/4-16 O-RING BOSS	1
3	1-512-010003-05	NUT HEX SLFLKG W/NYL 10-32	2
4	1-654-010051-05	SCREW,HEX CAP 3/8-16UNCX1 GR5	3
5	1-861-010034-11	WASHER, LKG HLCL SPR, 3/8	3
6	104582	ADAPTER,#6 ORS X #6 ORB ST	1
7	121028	PLUG #4 SAE M O-R BOSS HX SKT	2
8	146693	SCREW, BHSC, 10-32 X 1.75	2
9	171000	CARTRIDGE, SHUT OFF VALVE	1
10	189872	ADAPTER,#6ORS X #8ORB STR	1
11	195196	VALVE - CHECK, CVH103PV	1
12	195198	FILTER-HIGH PRESS, CF/CE-12-10	1
13	202702-8-8S	ADAPTER #8 O-RING TO #8 TUBE	1
14	201283	VALVE-PRESS RED RELV 600-3000	1
15	201291	GAUGE-HYD PRESSURE,3000,-4 ORB	1
16	203384	MANIFOLD DRAFT COMP	1
17	214319	VALVE-BALL, -6 SAE	1
18	214384	BRACKET-VALVE MOUNT	1
19	4K607	RESTRICTOR 3/4-16	1

# Manifold-Shank Cylinder Assembly

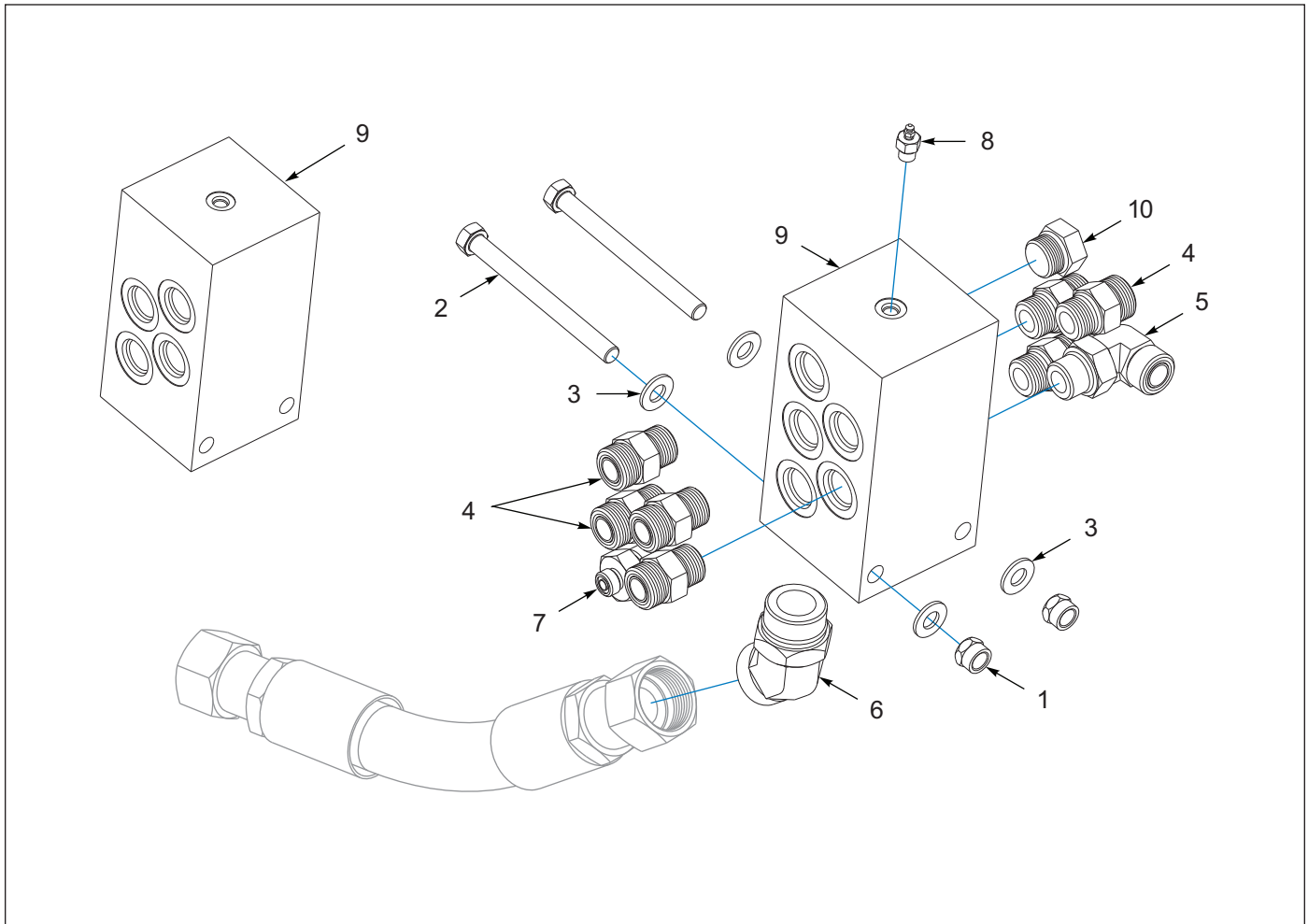


Figure 4-11: Manifold-Shank Cylinder Assembly

## Manifold-Shank Cylinder Assembly

ITEM	PART NUMBER	DESCRIPTION	QTY.
1	1-512-010005-09	NUT,HEX,SLFLKG, 1/2-13 GRB	2
2	1-654-010055-16	SCREW HEX CAP 1/2-13X5-1/2GR5	2
3	1-861-010032-14	WASHER, FLAT 1/2" N ZP/CD	4
4	104382	ADAPTER,#12 ORS X #12 ORB STP (QTY SUBJECT TO MANIFOLD AND MODEL)	REF
5	110116	ADAPTER,#12ORB X #12ORS 90DEG	1
6	171589	ADAPTER,#20ORS X #20ORB,45 ELB	1
7	171591	ADAPTER,#6ORS X #12ORB, STR	1
8	189739	ASSY,#4ORB BLEEDER PLUG	1
9	214355	MANIFOLD-SHANK CYLINDER, 2512 (8R, 8R W/SB, 8F, 8F W/SB, 9F, 9F W/SB, 10F, 10F W/SB, 12F, 12F W/SB, 14F, 14F W/SB, 16F, 16F W/SB)	1
9	214305	MANIFOLD-SHANK CYLINDER, 2512 (4R, 4R W/SB, 5R, 5R W/SB, 6R, 6R W/SB, 7R, 7R W/SB, 7F, 7F W/SB)	1
10	900598-12S	PLUG, O-RING BOSS #12	1

# Wing Lock Kit - Optional

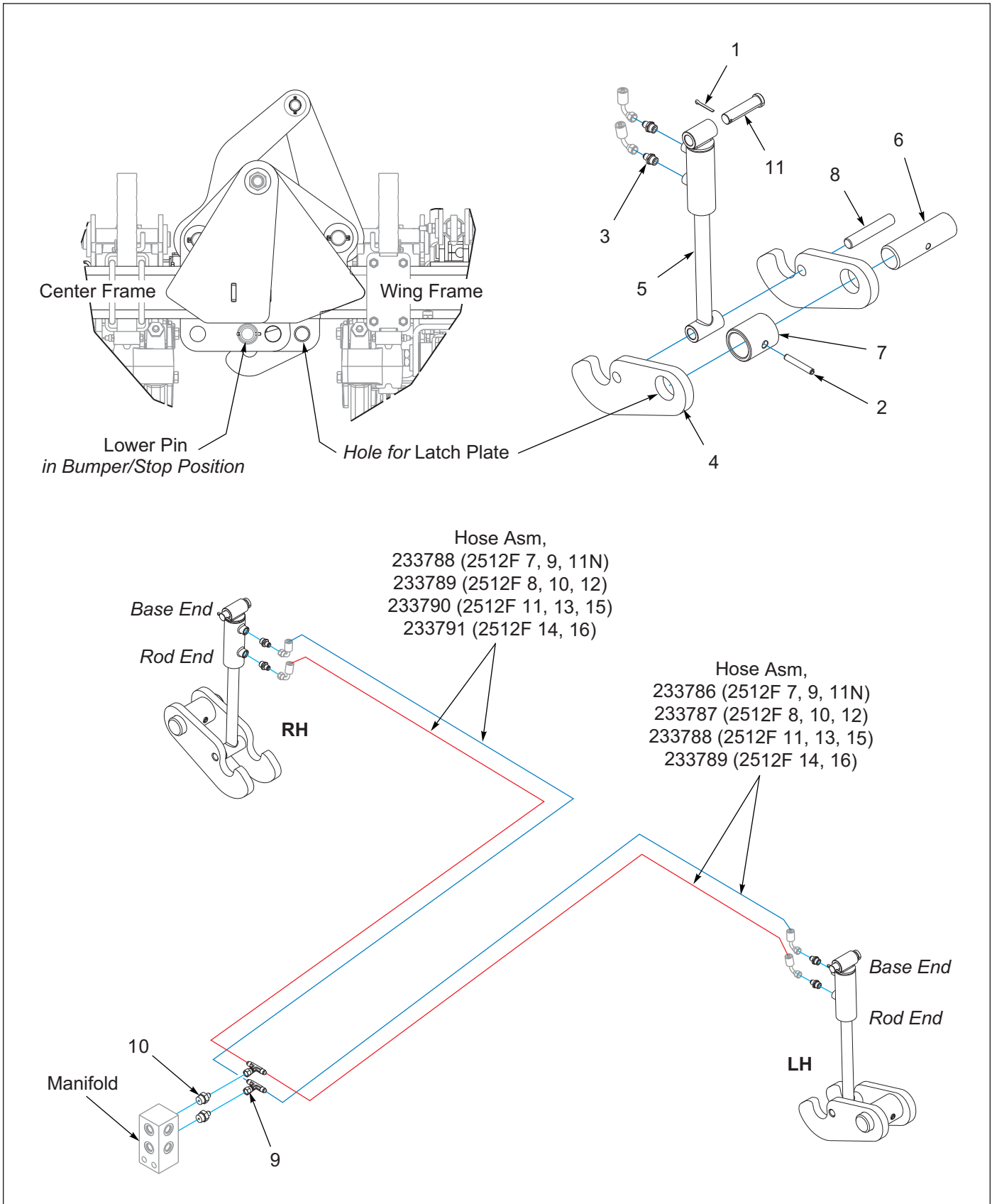


Figure 4-12: Wing Lock Kit - Optional

## Wing Lock Kit - Optional

ITEM	PART NUMBER	DESCRIPTION	QTY.			
	233782	KIT-HYDR WING LOCK,2512F, 5CT <b>(2512F 7, 9, 11N)</b>	1	--	--	--
	233783	KIT-HYDR WING LOCK,2512F, 6CT <b>(2512F 8, 10, 12)</b>	--	1	--	--
	233784	KIT-HYDR WING LOCK,2512F, 7CT <b>(2512F 11, 13, 15)</b>	--	--	1	--
	233785	KIT-HYDR WING LOCK,2512F, 8CT <b>(2512F 14, 16)</b>	--	--	--	1
1	1-557-010362-40	PIN, COTTER 5/32X1-1/4	2	2	2	2
2	1-647-010004257	PIN,SPRING,SLOTTED 3/8X2-1/2	2	2	2	2
3	202702-6-4S	ADAPTER,STR,#6 O-RING X #4JIC	4	4	4	4
4	230889	PLATE-LATCH	4	4	4	4
5	230890	CYLINDER,1-1/2X1-1/2,3000PSI <b>(SEE PAGE 4-21)</b>	2	2	2	2
6	230894	PIN-LATCH, WING LOCK	2	2	2	2
7	230895	SLEEVE-SPACKER, LATCH	2	2	2	2
8	230896	PIN-CYLINDER, LATCH	2	2	2	2
9	233781	ADAPTER-TEE,6600-04,04,04	2	2	2	2
10	40-0665-02	ADAPTER,ST,37 FLARE,OR, 4-8	2	2	2	2
11	7D642	CLEVIS PIN	2	2	2	2
12	233786	HOSE, 1/4X74,04FJX,04FX90S	2	--	--	--
13	233788	HOSE, 1/4X104,04FJX,04FX90S	2	--	2	--
14	233787	HOSE, 1/4X89,04FJX,04FX90S	--	2	--	--
15	233789	HOSE, 1/4X119,04FJX,04FX90S	--	2	--	2
16	233790	HOSE, 1/4X134,04FJX,04FX90S	--	--	2	--
17	233791	HOSE, 1/4X149,04FJX,04FX90S	--	--	--	2

### Hydraulic Cylinder, 1-1/2 x 1-1/2 - 230890

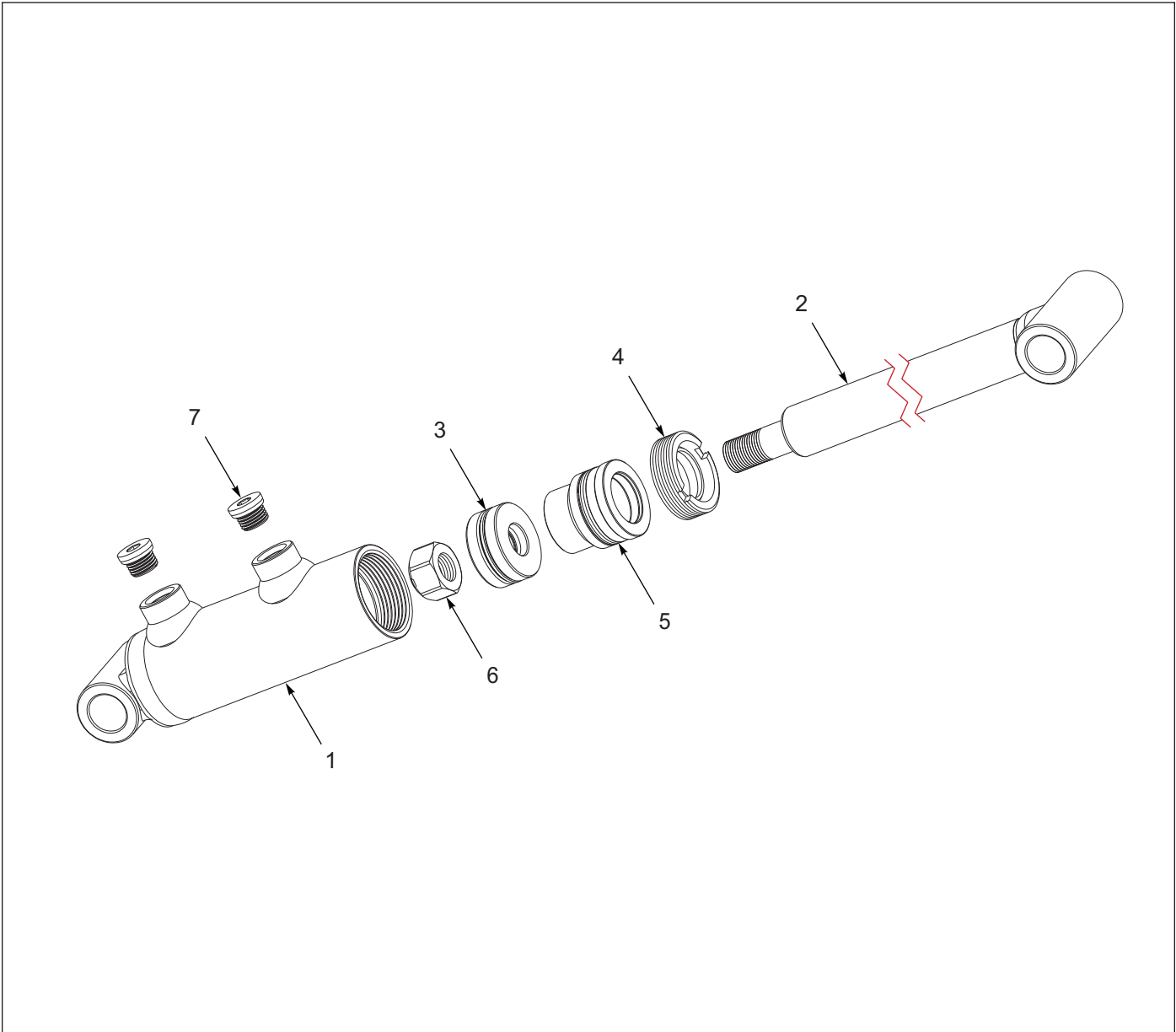


Figure 4-13: Hydraulic Cylinder, 1-1/2 x 1-1/2 - 230890

### Hydraulic Cylinder, 1-1/2 x 1-1/2 - 230890

ITEM	PART NUMBER	DESCRIPTION	QTY.
	230890	CYLINDER,1-1/2X1-1/2,3000PSI (LOCK KIT)	1
1	-----	BARREL ASM	1
2	-----	ROD ASM	1
3	-----	PISTON CR 1-1/2" OD X 5/8" ID X .700 LG	1
4	-----	RETAINER, 1-1/2" OD X 1" ID X 1/2" LG	1
5	-----	BEARING 1-1/2" OD X 1" ID X 1-1/2" LG	1
6	-----	LOCKNUT 5/8"	1
7	-----	9/16 SAE PLUG (2A0126)	2
8	240161	KIT, SEAL, 230890 CYL	1

**Hydraulic Cylinder, 3 x 9-1/2 - 209372**

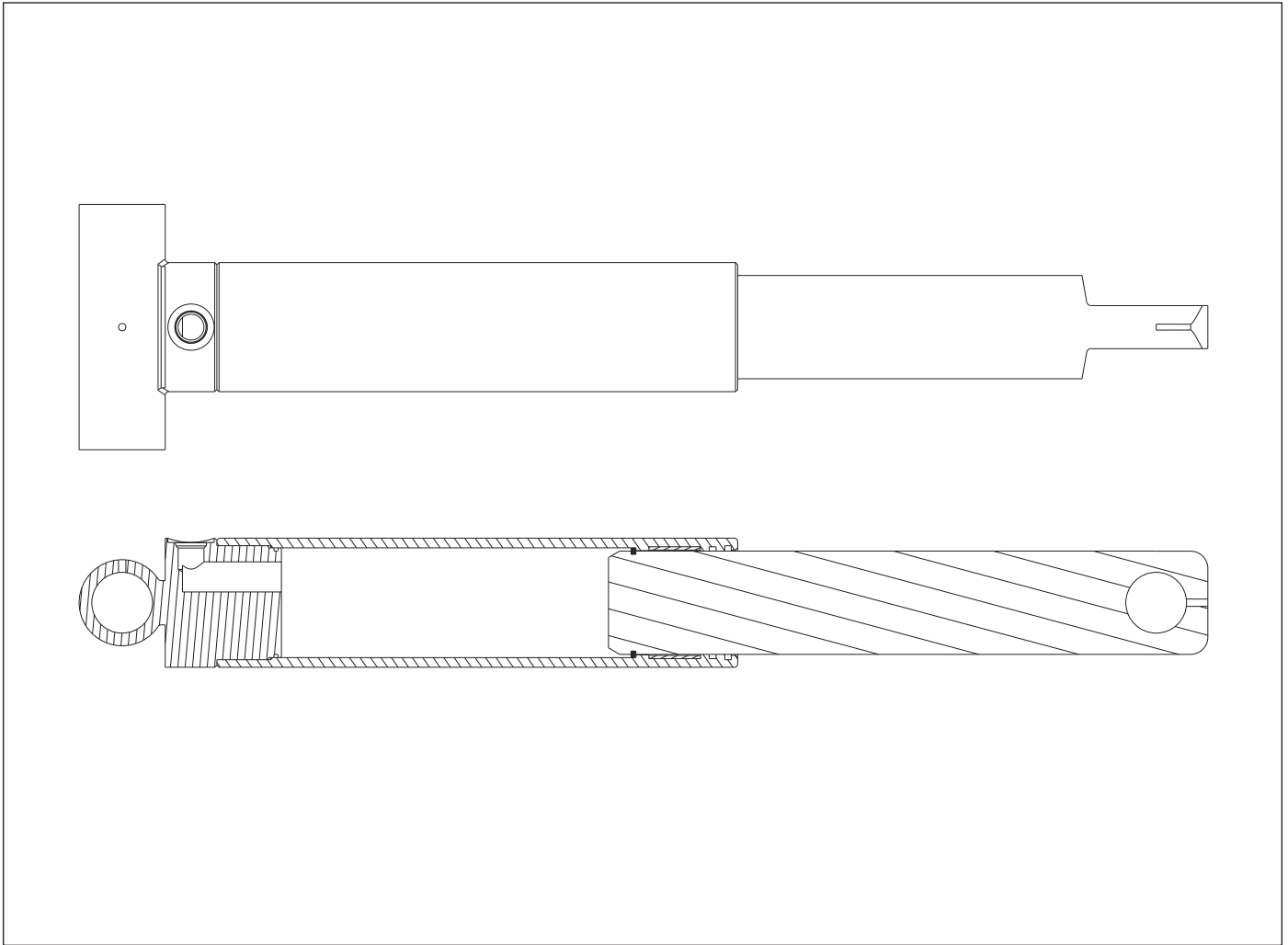


Figure 4-14: Hydraulic Cylinder, 3 x 9-1/2 - 209372

**Hydraulic Cylinder, 3 x 9-1/2 - 209372**

ITEM	PART NUMBER	DESCRIPTION	QTY.
	209372	CYLINDER-SA,3 X 9-1/2 DISP (SHANK)	1
	224786	KIT-PACKING,3X9.5X3	1

**Hydraulic Cylinder, 4 x 24 - 108331**

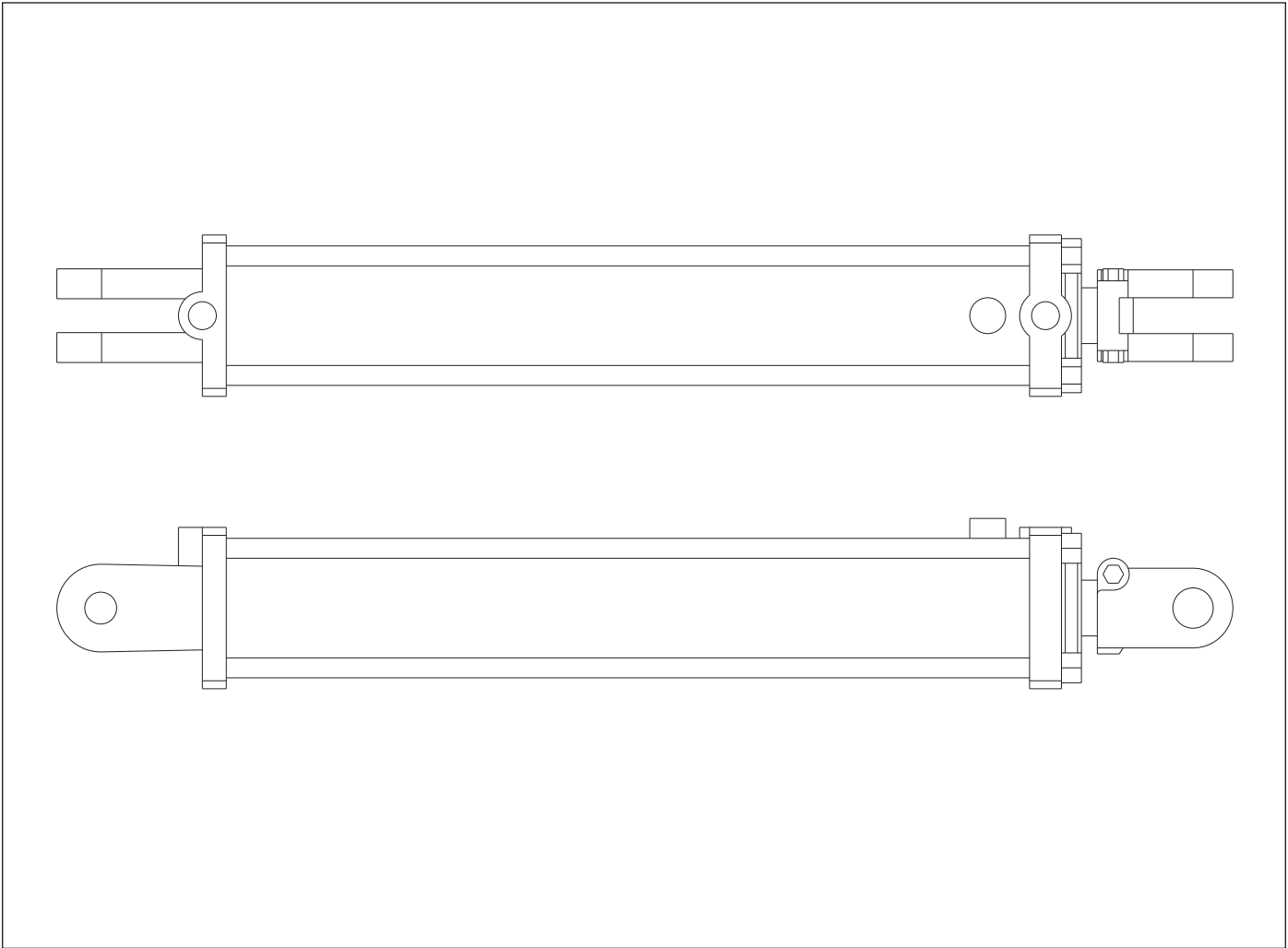


Figure 4-15: Hydraulic Cylinder, 4 x 24 - 108331

**Hydraulic Cylinder, 4 x 24 - 108331**

ITEM	PART NUMBER	DESCRIPTION	QTY.
	108331	CYLINDER, HYD 4X24 SP (FOLDING) (BEFORE 11/01/2021)	1
	224787	KIT-PACKING,4X24X1.75	1

### Hydraulic Cylinder, 5 x 30 - 233870

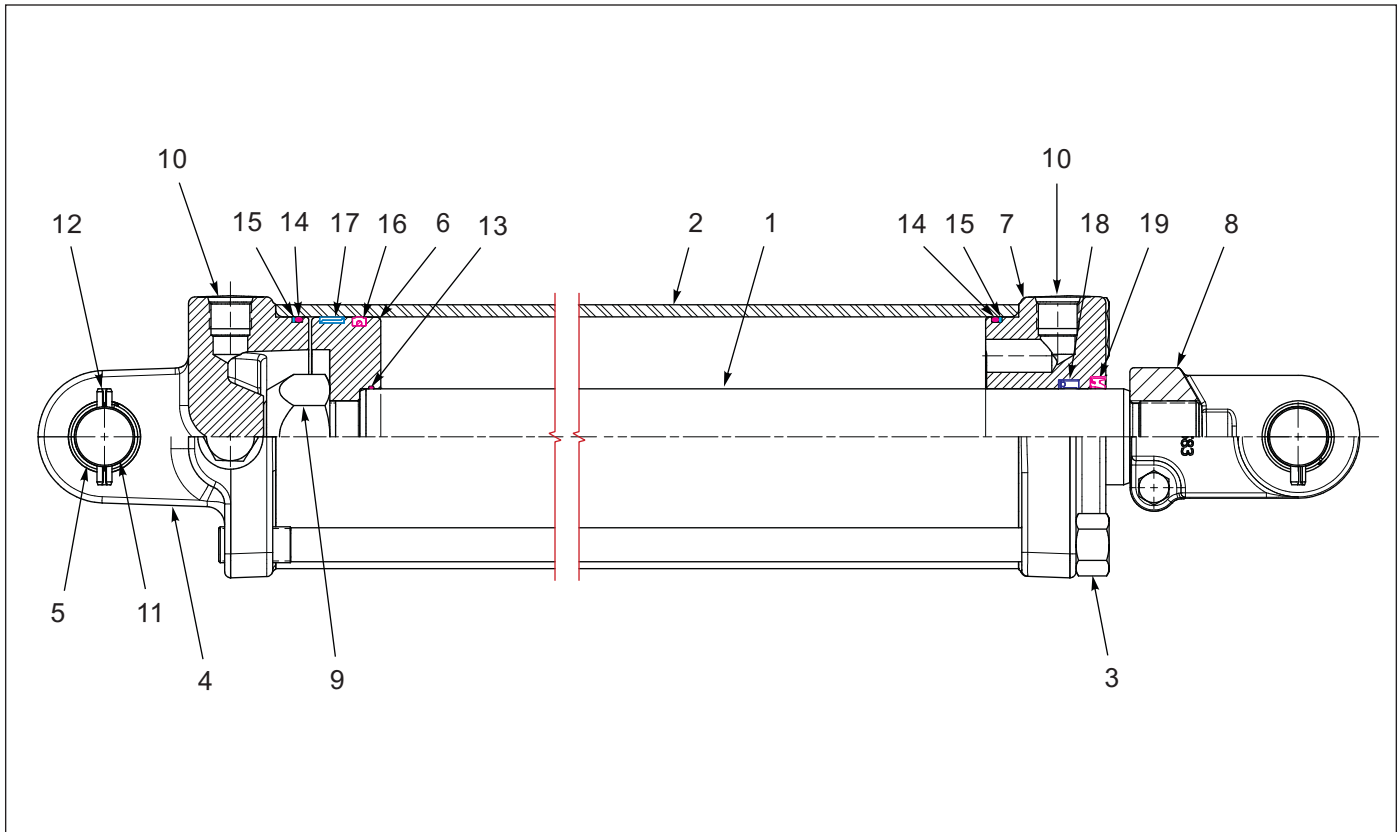


Figure 4-16: Hydraulic Cylinder, 5 x 30 - 233870

### Hydraulic Cylinder, 5 x 30 - 233870

ITEM	PART NUMBER	DESCRIPTION	QTY
	233870	CYLINDER, HYD 5X30, 3000 PSI (PRINCE)	1
	240960	PACKING KIT, Ø5" BORE (INCLUDES ITEMS 13-19)	1
1	-----	PISTON ROD	1
2	-----	TUBE	1
3	-----	TIEROD ASSEMBLY	4
4	240957	BUTT CLEVIS ASM	1
5	135912	BUSHING #210600358	4
6	-----	PISTON	1
7	240958	GLAND, Ø5" BORE, Ø2" ROD	1
8	240959	ROD CLEVIS, Ø1-1/4" PINS	1
9	-----	LOCKNUT	1
10	-----	PORT PLUG (FOR SHIPMENT)	3
11	147755	CLEVIS PIN,Ø1-1/4 HARD,PRINCE	2
12	147072	PIN, SPRING SLOTTED 5/16 X 2	4
13	-----	O-RING	1
14	-----	O-RING	2
15	-----	BU-WASHER	2
16	-----	CROWN SEAL	1
17	-----	BEARING RING	1
18	-----	U-CUP	1
19	-----	WIPER	1

HYDRAULICS

Hydraulic Cylinder, 6 x 30 - 233833

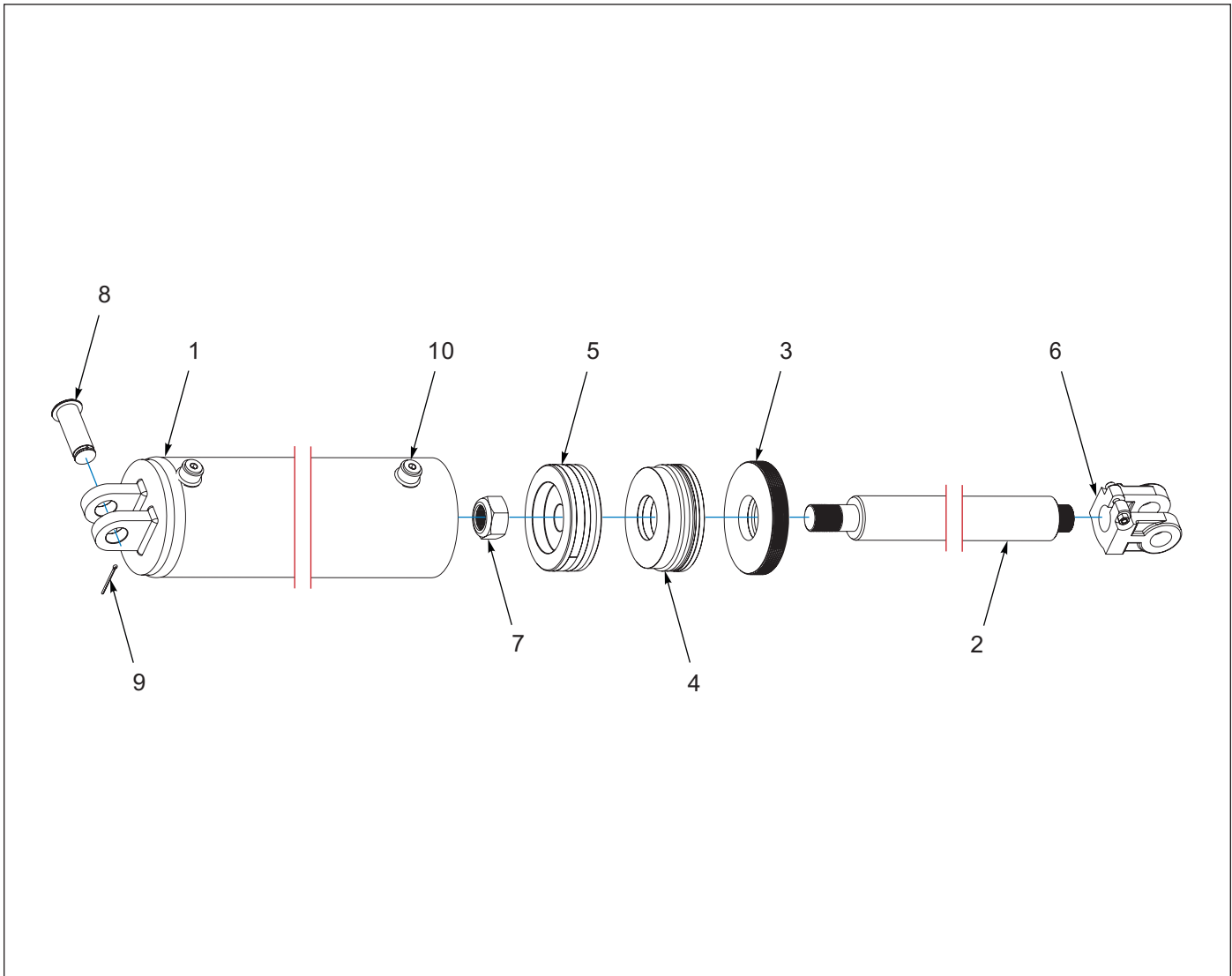


Figure 4-17: Hydraulic Cylinder, 6 x 30 - 233833

Hydraulic Cylinder, 6 x 30 - 233833

ITEM	PART NUMBER	DESCRIPTION	QTY
	233833	CYLINDER-HYD, 6 X 30, 3000 PSI (MIDWAY / CARLSON)	1
	253737	KIT, SEAL, CYL 233833 (MIDWAY)	1
1	-----	6" BARREL ASSY	1
2	-----	ROD 2-1/2" O.D. X 37-3/8" LG	1
3	-----	RETAINER 6" OD X 2-1/2" ID X 1" LG	1
4	-----	BEARING 6" OD X 2-1/2 ID X 2-1/8" LG	1
5	-----	CT PISTON 6" OD X 1-1/2" ID X 1-15/16' LG	1
6	-----	MW CLEVIS 1-1/2"-12 X 1 1/4" PIN	1
7	-----	1-1/2"-12 NYLOCK NUT	1
8	-----	1-1/4" CLEVIS PIN	1
9	-----	1/8" X 2" COTTER PIN	1
10	-----	7/8" SAE HEX PLUG	2



## Shanks

### Parabolic Shank, 1-1/4

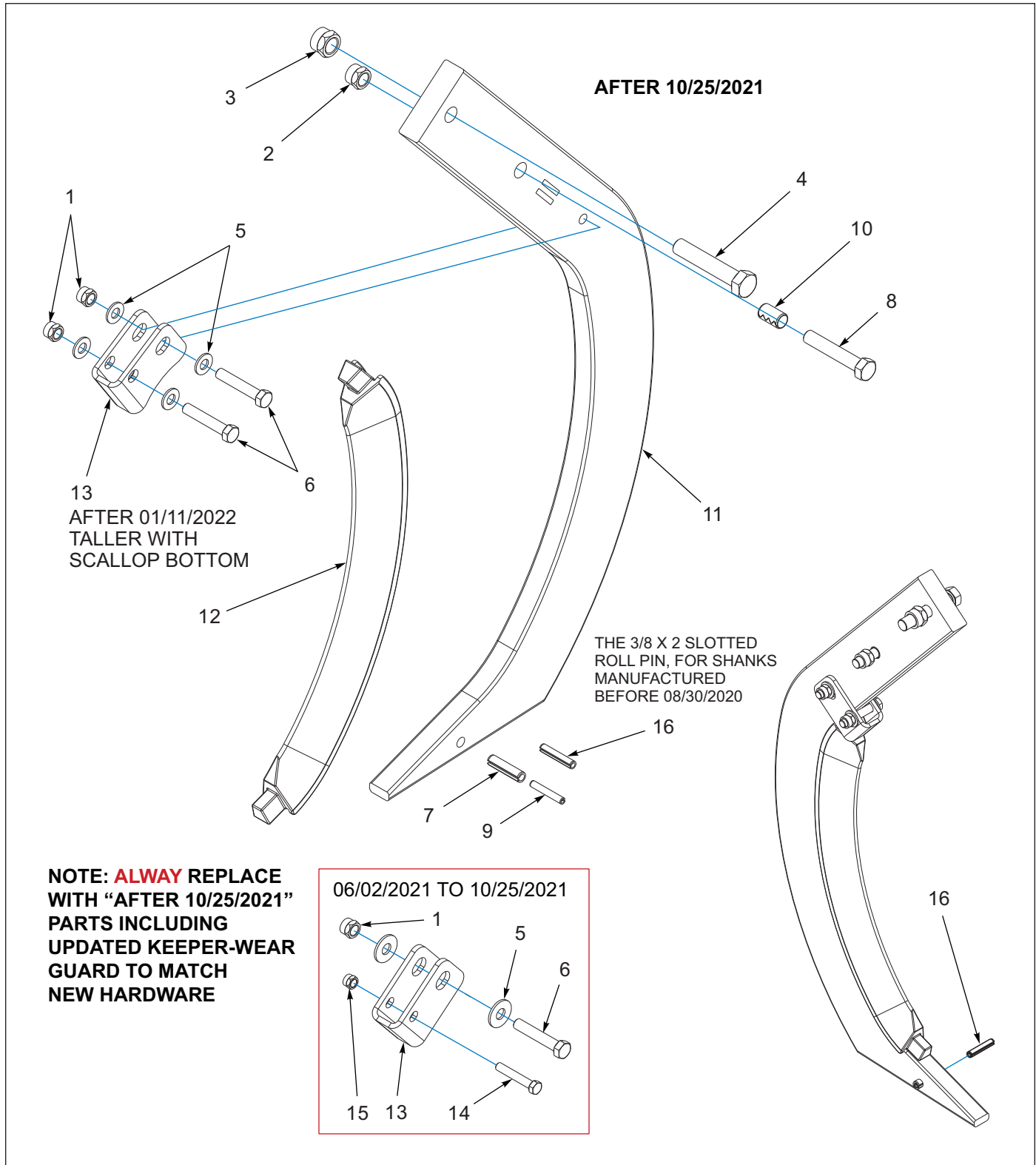


Figure 5-1: Parabolic Shank, 1-1/4

## Parabolic Shank, 1-1/4

ITEM	PART NUMBER	DESCRIPTION	QTY.
	224746	SHANK, 1-1/4, PARABOLIC, ASM (INCL. ITEMS 1, 5, 6, 7, 9, 11-17)	1
1	1-512-010005-09	NUT,HEX,SLFLKG, 1/2-13 GRB	2
2	1-512-010005-13	NUT,HEX SLFLKG GRB 5/8-11 (PART OF 218760 CLAMP ASM) (SEE PAGE 1-19)	1
3	1-512-010005-15	NUT,HEX,SLFLKG GRB 3/4-10 (PART OF 218760 CLAMP ASM) (SEE PAGE 1-19)	1
4	1-654-010061-13	SCREW,HX CP 3/4-10UNCX4 GR5 (PART OF 218760 CLAMP ASM) (SEE PAGE 1-19)	1
5	1-861-010032-14	WASHER, FLAT 1/2" N ZP/CD (AFTER 10/25/2021)	4
5	1-861-010032-15	WASHER, FLAT 1/2 W ZP/CD (BEFORE 10/25/2021)	2
6	101510	SCREW HXCP1/2-13UNCX2-3/4 G5	2
7	127351	PIN, SPRING, SLOTTED 1/2X2	1
8	138567	SCREW,HX CP 5/8-11UNCX3-1/2G8 (PART OF 218760 CLAMP ASM) (SEE PAGE 1-19)	1
9	147072	PIN, SPRING SLOTTED 5/16 X 2	1
10	150244	BUSHING,CNX-5/8 X 3/4 X 1-1/4 (PART OF 218760 CLAMP ASM) (SEE PAGE 1-19)	1
11	169493	SHANK, 1-1/4 X 4, BOLT-IN,2410	1
12	224747	GUARD-WEAR, PARABOLIC	1
13	224748	KEEPER-WEAR GUARD,PARABOLIC (ALWAYS REPLACE WITH UPDATED KEEPER WEAR GUARD TO MATCH NEW HARDWARE) (SEE PAGE 5-1) (**AFTER 01/11/2022, TALLER W/SCALLOP BOTTOM)	1
14	1-654-010051-10	SCREW,HX CP3/8-16X2-1/4 GR5 (06/02/2021 TO 10/25/2021)	1
15	1-512-010005-05	NUT, HEX, SLFLKG GRB 3/8-16 (06/02/2021 TO 10/25/2021)	1
16	1-647-010004255	PIN, SPRING, SLOTTED 3/8X2 (ADDED 10/05/2021) (TO BE USED W/SHANKS MANUFACTURED BEFORE 08/30/2020)	1
17	227895	KIT-HARDWARE, SHANK (NOT SHOWN) (INCL. ITEMS 1, 5, 6, 7, 9, 12, 13)	1

SHANKS

Straight Leg Shank, 1-1/4

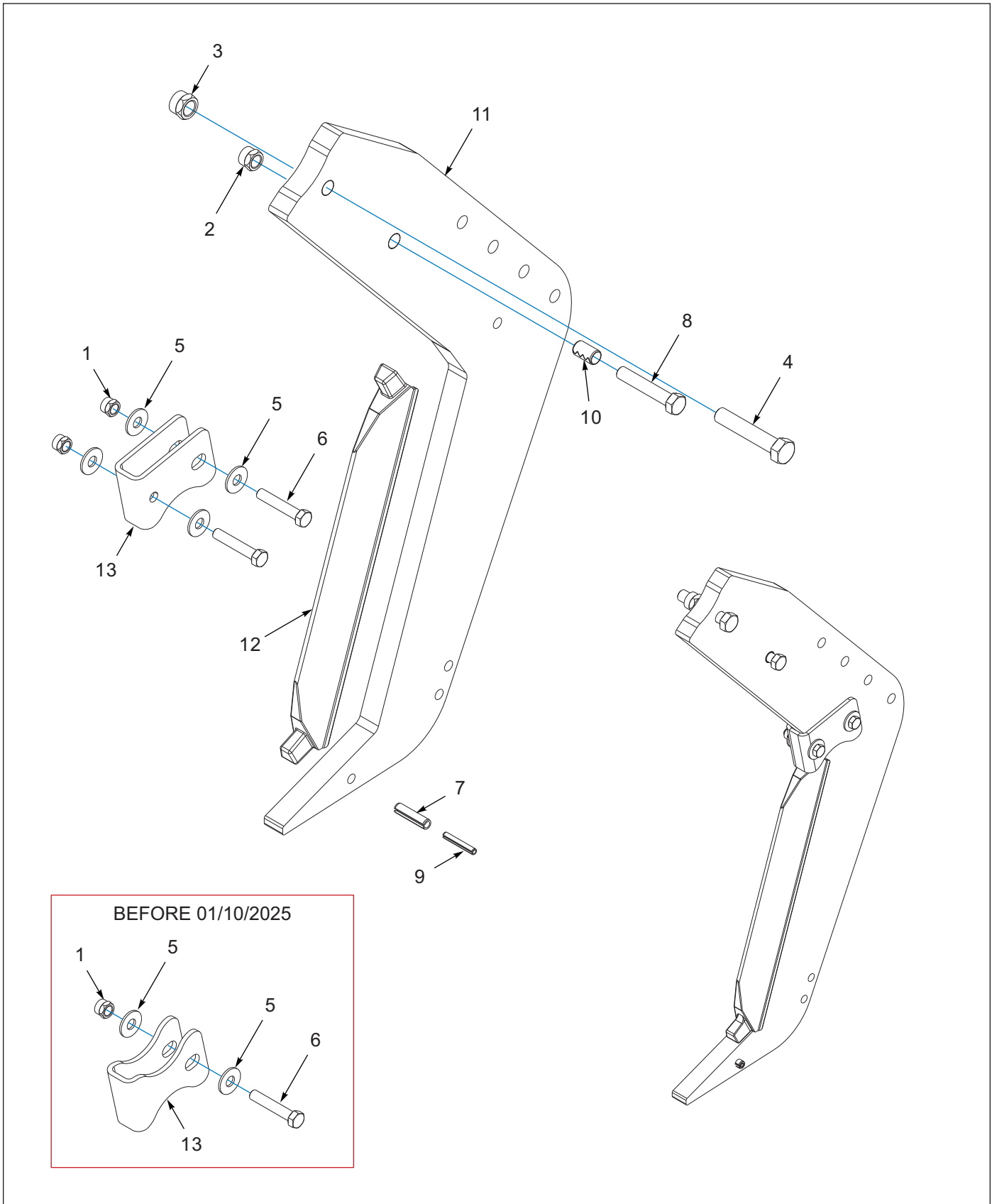


Figure 5-2: Straight Leg Shank, 1-1/4

## Straight Leg Shank, 1-1/4

ITEM	PART NUMBER	DESCRIPTION	QTY.
	224744	SHANK, 1-1/4, STRAIGHT LEG, ASM <b>(INCLUDES ITEMS 1, 5, 6, 7, 9, 11-13)</b>	1
1	1-512-010005-09	NUT,HEX,SLFLKG, 1/2-13 GRB <b>(BEFORE 01/10/2025, QTY=1)</b>	2
2	1-512-010005-13	NUT,HEX SLFLKG GRB 5/8-11 <b>(PART OF 218760 CLAMP ASM) (SEE PAGE 1-19)</b>	1
3	1-512-010005-15	NUT,HEX,SLFLKG GRB 3/4-10 <b>(PART OF 218760 CLAMP ASM) (SEE PAGE 1-19)</b>	1
4	1-654-010061-13	SCREW,HX CP 3/4-10UNCX4 GR5 <b>(PART OF 218760 CLAMP ASM) (SEE PAGE 1-19)</b>	1
5	1-861-010032-15	WASHER, FLAT 1/2 W ZP/CD <b>(BEFORE 01/10/2025, QTY=2)</b>	4
6	101510	SCREW HXCP1/2-13UNCX2-3/4 G5 <b>(BEFORE 01/10/2025, QTY=1)</b>	2
7	127351	PIN, SPRING, SLOTTED 1/2X2	1
8	138567	SCREW,HX CP 5/8-11UNCX3-1/2G8 <b>(PART OF 218760 CLAMP ASM) (SEE PAGE 1-19)</b>	1
9	147072	PIN, SPRING SLOTTED 5/16 X 2	1
10	150244	BUSHING,CNX-5/8 X 3/4 X 1-1/4 <b>(PART OF 218760 CLAMP ASM) (SEE PAGE 1-19)</b>	1
11	224743	SHANK- 1-1/4 STRAIGHT LEG	1
12	224745	GUARD-WEAR, STRAIGHT LEG	1
13	224752	KEEPER-WEAR GUARD,STR LEG	1

Straight Leg Shank, 3/4

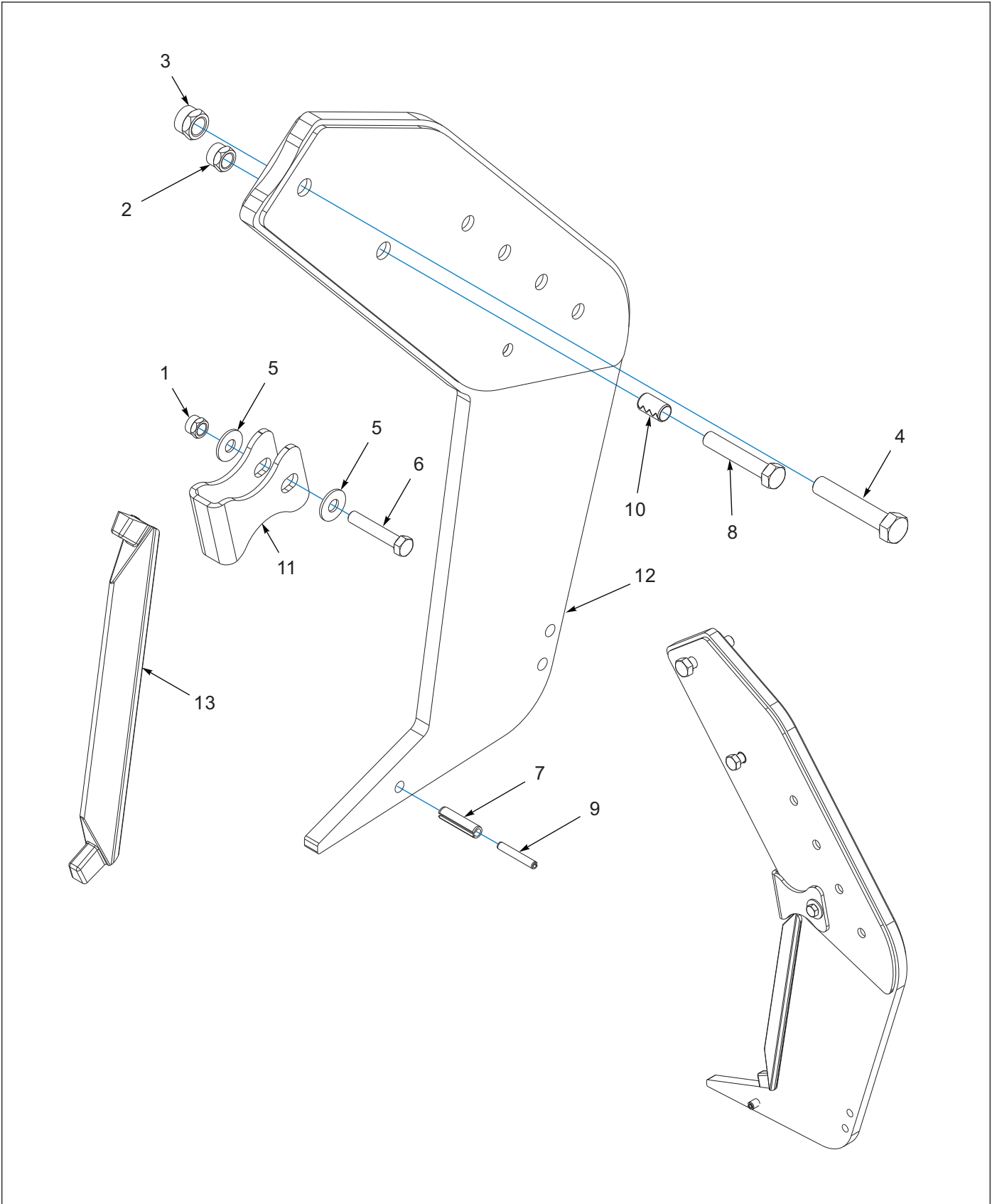


Figure 5-3: Straight Leg Shank, 3/4

## Straight Leg Shank, 3/4

ITEM	PART NUMBER	DESCRIPTION	QTY.
	224768	SHANK, 3/4, STRAIGHT LEG, ASM <b>(INCLUDES ITEMS 1, 5, 6, 7, 9, 11-13)</b>	1
1	1-512-010005-09	NUT,HEX,SLFLKG, 1/2-13 GRB	1
2	1-512-010005-13	NUT,HEX SLFLKG GRB 5/8-11 <b>(PART OF 218760 CLAMP ASM) (SEE PAGE 1-19)</b>	1
3	1-512-010005-15	NUT,HEX,SLFLKG GRB 3/4-10 <b>(PART OF 218760 CLAMP ASM) (SEE PAGE 1-19)</b>	1
4	1-654-010061-13	SCREW,HX CP 3/4-10UNCX4 GR5 <b>(PART OF 218760 CLAMP ASM) (SEE PAGE 1-19)</b>	1
5	1-861-010032-15	WASHER, FLAT 1/2 W ZP/CD	2
6	101510	SCREW HXCP1/2-13UNCX2-3/4 G5	1
7	127351	PIN, SPRING, SLOTTED 1/2X2	1
8	138567	SCREW,HX CP 5/8-11UNCX3-1/2G8 <b>(PART OF 218760 CLAMP ASM) (SEE PAGE 1-19)</b>	1
9	147072	PIN, SPRING SLOTTED 5/16 X 2	1
10	150244	BUSHING,CNX-5/8 X 3/4 X 1-1/4 <b>(PART OF 218760 CLAMP ASM) (SEE PAGE 1-19)</b>	1
11	224752	KEEPER-WEAR GUARD,STR LEG	1
12	224763	SHANK-STRAIGHT LEG, 3/4 WLDMT	1
13	224767	GUARD-WEAR, STRAIGHT LEG, 3/4	1

Coverboard Kit

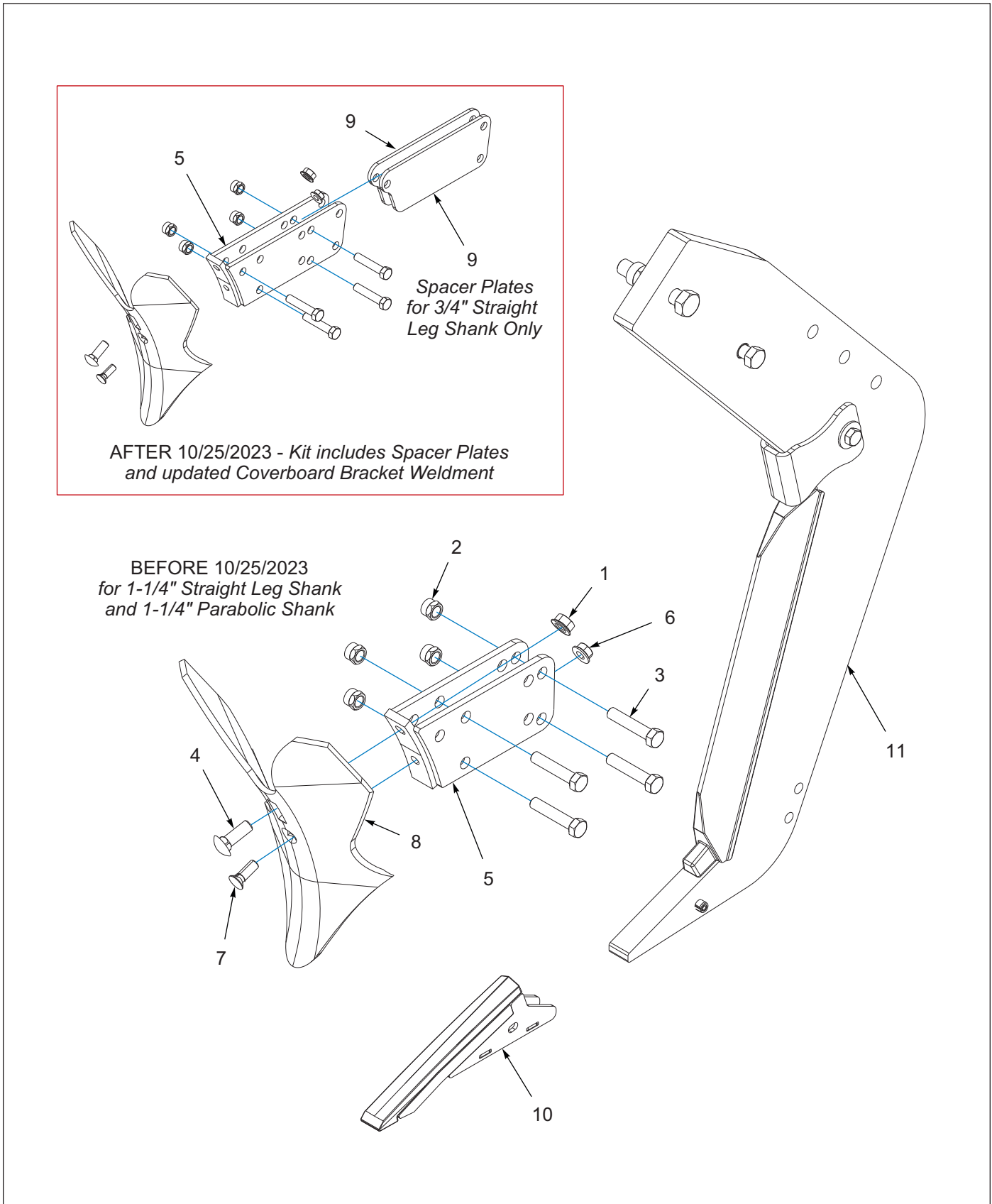


Figure 5-4: Coverboard Kit

## Coverboard Kit

ITEM	PART NUMBER	DESCRIPTION	QTY.
	227299	KIT-COVER BOARD, 2512 <b>(AFTER 10/25/2023 - USED WITH 224744, 224746 AND 224768)</b>	1
1	1-510-010003-09	NUT,1/2-13 FLANGE HD,SERRATED	1
2	1-512-010005-09	NUT,HEX,SLFLKG, 1/2-13 GRB	4
3	1-654-010055-07	SCREW HX CP 1/2-13UNCX2-1/2	4
4	1-654-010070-03	SCREW RDHD SQNK1/2-13X1-1/2	1
5	214396	BRACKET-COVERBOARD WLDMT	1
6	4K551	SELF-LOCKING FLANGE NUT	1
7	5J425	BOLT PLOW 7/16-14 X 1-1/4	1
8	6K478	FURROWER FOR COVERBOARD	1
9	247319	PLATE-SPACER, BRACKET <b>(SPACER PLATES FOR 224768, 3/4" STRAIGHT LEG SHANK ONLY - ADDED TO KIT 10/25/2023)</b>	2
10	227247	1-1/4,PLN,CHRM CAP,2-1/2 <b>(SHOWN)</b> <b>(SEE PAGE 6-1 FOR AVAILABLE POINTS)</b>	--
11	224744	SHANK, 1-1/4,STRAIGHT LEG, ASM <b>(SHOWN) (SEE PAGE 5-3)</b>	--
11	224746	SHANK, 1-1/4, PARABOLIC, ASM <b>(SEE PAGE 5-1)</b>	--
11	224768	SHANK, 3/4, STRAIGHT LEG, ASM <b>(SEE PAGE 5-5)</b>	--

## Points

### Points for 1-1/4 Shank

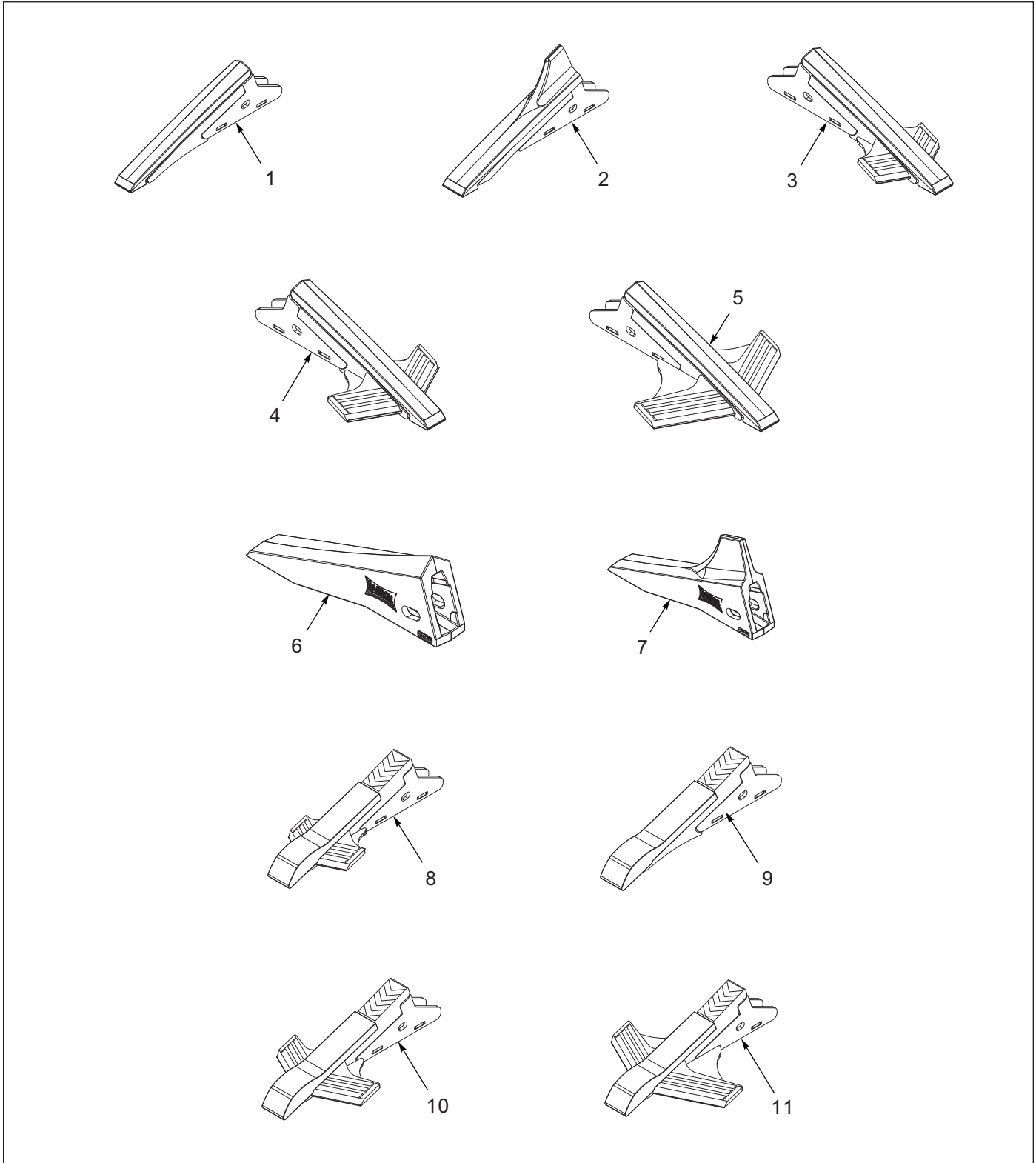


Figure 6-1: Points for 1-1/4 Shank

---

**Points for 1-1/4 Shank**

ITEM	PART NUMBER	DESCRIPTION	QTY.
1	227247	1-1/4,PLN,CHRM CAP,2-1/2	--
2	227271	1-1/4,FIN CHRM CAP,2-1/2,WLDMT	--
3	227207	1-1/4,WNGD,7,CHRM CAP,2-1/2	--
4	227210	1-1/4,WNGD,10,CHRM CAP,2-1/2	--
5	227198	1-1/4,WNGD,WIDE,CHRM CAP,2-1/2	--
6	227189	1-1/4,PLN,CADI,2-1/2	--
7	227191	1-1/4,CADI,FIN,2-1/2	--
8	227265	1-1/4, WINGD,7,CST STL CAP	--
9	227267	1-1/4, PLN,2-1/2 CST STL CAP	--
10	227272	1-1/4,WNGD,10,CST STL CAP	--
11	227273	1-1/4,WINGD,WIDE,CST STL CAP	--

Points for 3/4 Shank

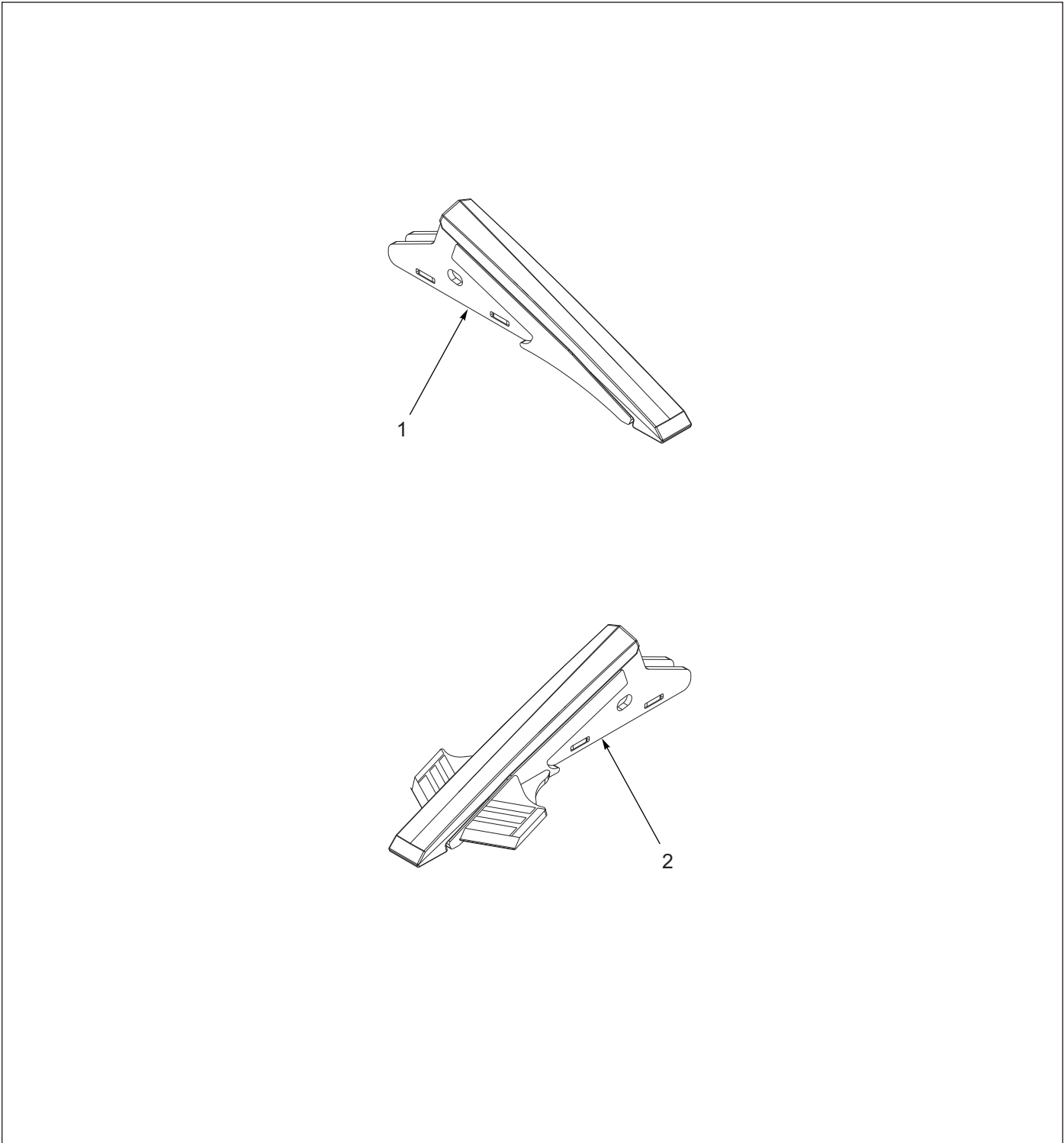


Figure 6-2: Points 3/4 Shank

Points for 3/4 Shank

ITEM	PART NUMBER	DESCRIPTION	QTY.
1	227221	3/4,PLN,CHRM CAP, 2	--
2	227245	3/4,WNGD, 7,CHARM CAP WLDMT	--



## Finishing Options

### Closing Platform (AFTER 04/2024)

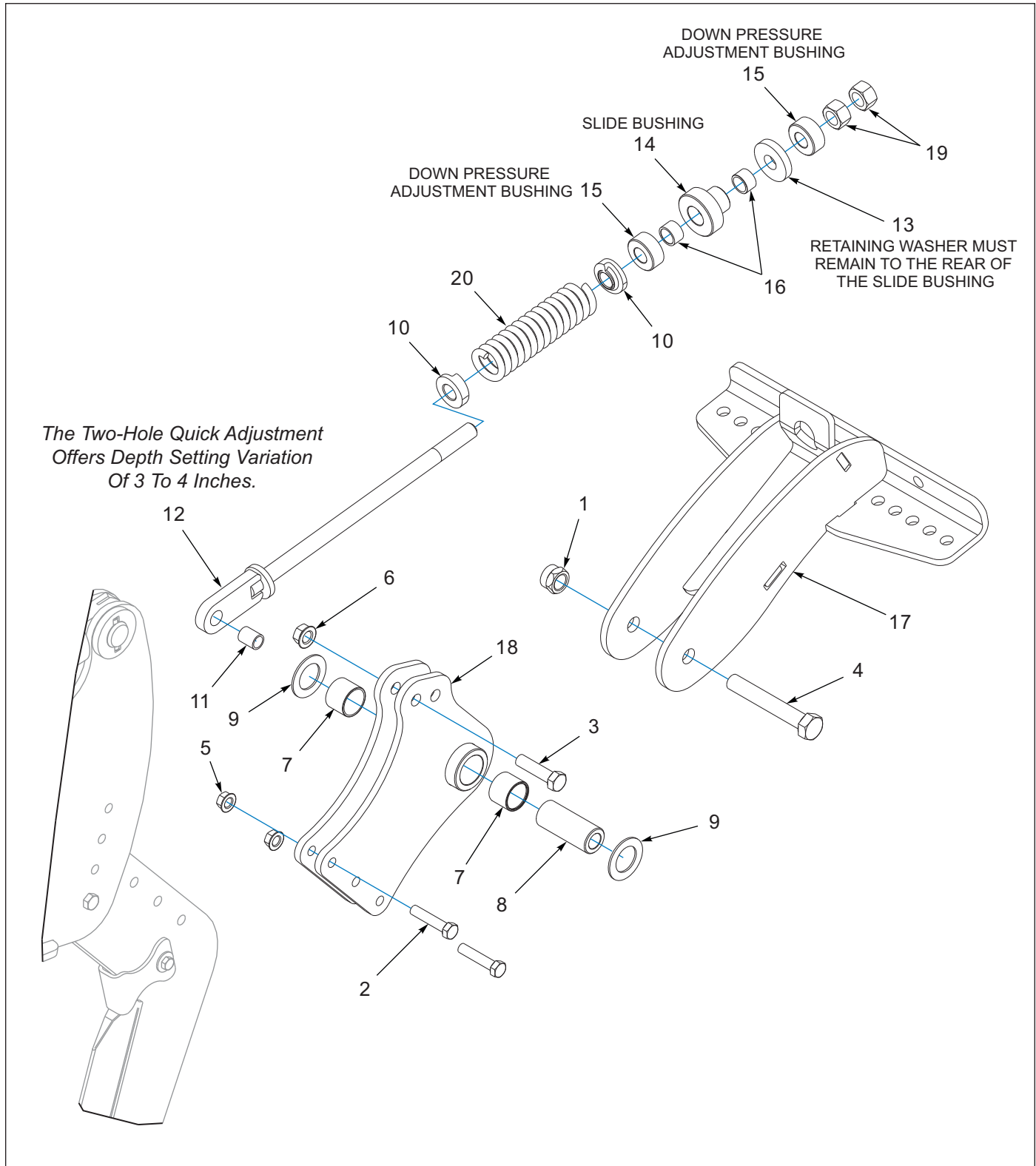
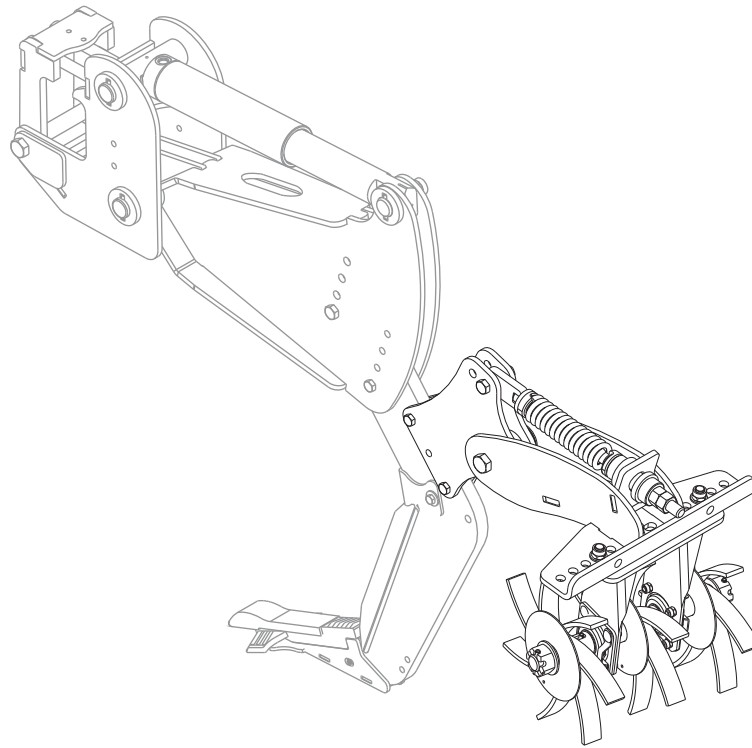


Figure 7-1: Closing Platform (AFTER 04/2024) (1 of 2)



BACK VIEW

Figure 7-2: Closing Platform (AFTER 04/2024) (2 of 2)

## Closing Platform (AFTER 04/2024)

ITEM	PART NUMBER	DESCRIPTION	QTY.
	227150	PLATFORM-CLOSING, 2512, ASM (SHOWN W/ CLOSER WHEEL)	1
1	1-512-010005-19	NUT 1-8 HEX SLF-LOCKING GRB	1
2	138567	SCREW,HX CP 5/8-11UNCX3-1/2G8	2
3	1-654-010061-09	SCREW HX CP 3/4-10UNCX3 GR5	1
4	1-654-010125-18	SCREW HEX CAP,1-8UNCX6-1/2GR8	1
5	100827	NUT,FLG HD,SERRATED,5/8-11	2
6	103841	NUT,FLG,LNK,SERRATED 3/4-10UNC	1
7	210879	BEARING-HEF, 2.004X1.76X1-1/2	2
8	227126	BUSHING,1.75 X 1.03 X 4.313	1
9	227132	WASHER-2-7/8X1.78 ID,1/8 UHMW	2
10	227147	PLUG-SPRING, 1-1/16	2
11	227148	TUBE, 1.0 X .782 X 1.250	1
12	227917	BOLT-TENSIONER, WLDMT	1
13	227919	WASHER, 1.03 X 2.75 X 0.5	1
14	227921	BUSHING-SLIDE, BASE	1
15	227922	BUSHING, 2-1/4 X 1-1/32 X 1	2
16	227925	BUSHING, IGUS, MSM-2734-20	2
17	239291	PLATFORM-MOUNT,CLOSER,WELDMENT	1
18	239293	PIVOT-SPRING MOUNT, WELDMENT	1
19	61D16ER	NUT, HEX 1-8UNC GR5 ZP	2
20	6J460	COMPRESSION SPRING	1

Closing Platform (02/2022 TO 04/2024)

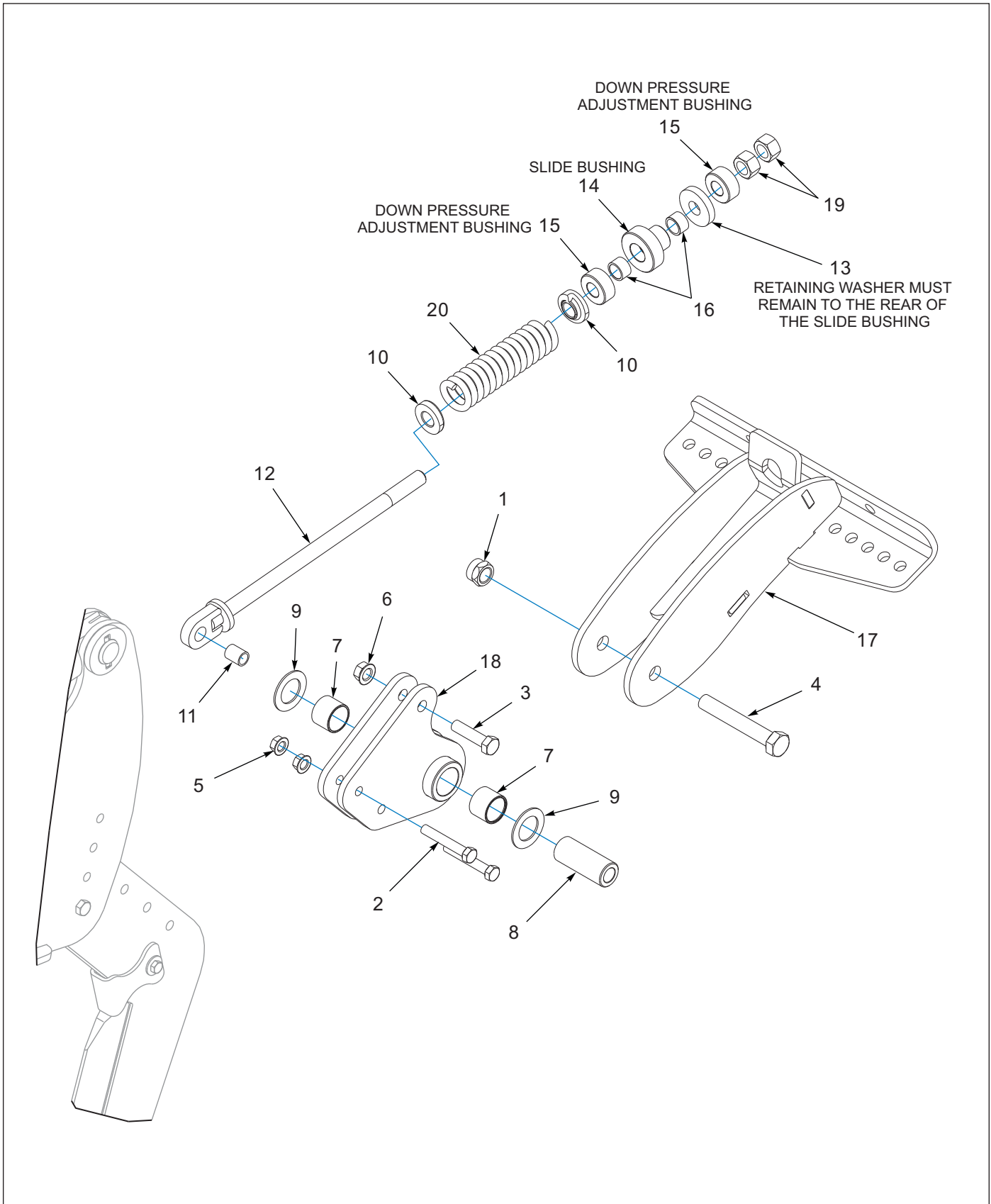


Figure 7-3: Closing Platform (02/2022 TO 04/2024) (1 of 2)

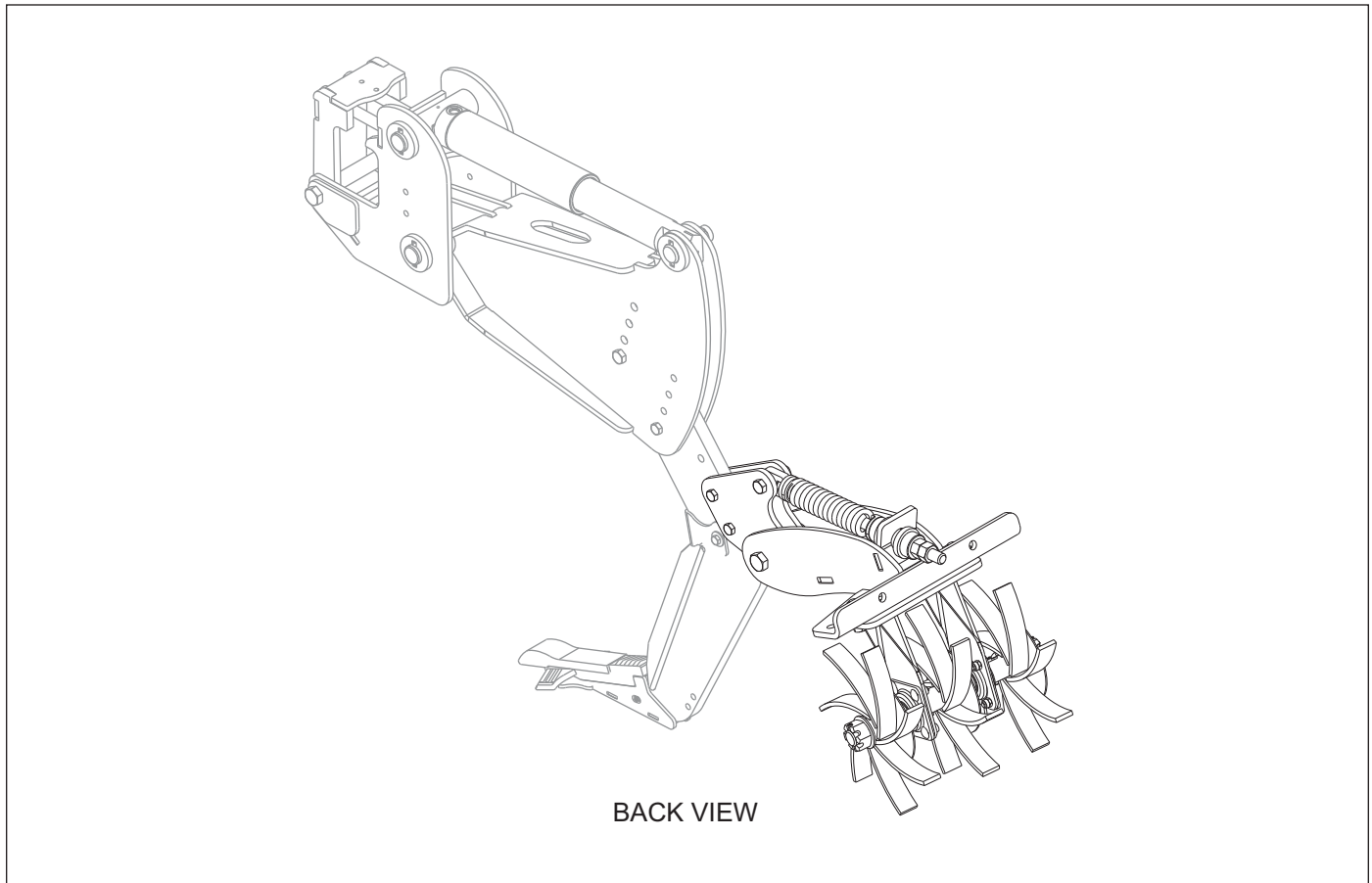


Figure 7-4: Closing Platform (02/2022 TO 04/2024) (2 of 2)

### Closing Platform (02/2022 TO 04/2024)

ITEM	PART NUMBER	DESCRIPTION	QTY.
	227150	PLATFORM-CLOSING, 2512, ASM (SHOWN W/ CLOSER WHEEL)	1
1	1-512-010005-19	NUT 1-8 HEX SLF-LOCKING GRB	1
2	172829	SCREW HX CP 5/8-11X4 GR8	2
3	1-654-010061-09	SCREW HX CP 3/4-10UNCX3 GR5	1
4	1-654-010125-18	SCREW HEX CAP, 1-8UNCX6-1/2GR8	1
5	100827	NUT, FLG HD, SERRATED, 5/8-11	2
6	103841	NUT, FLG, LNK, SERRATED 3/4-10UNC	1
7	210879	BEARING-HEF, 2.004X1.76X1-1/2	2
8	227126	BUSHING, 1.75 X 1.03 X 4.313	1
9	227132	WASHER-2-7/8X1.78 ID, 1/8 UHMW	2
10	227147	PLUG-SPRING, 1-1/16	2
11	227148	TUBE, 1.0 X .782 X 1.250	1
12	227917	BOLT-TENSIONER, WLDMT	1
13	227919	WASHER, 1.03 X 2.75 X 0.5	1
14	227921	BUSHING-SLIDE, BASE	1
15	227922	BUSHING, 2-1/4 X 1-1/32 X 1	2
16	227925	BUSHING, IGUS, MSM-2734-20	2
17	239291	PLATFORM-MOUNT, CLOSER, WELDMENT	1
18	239293	PIVOT-SPRING MOUNT, WELDMENT	1
19	61D16ER	NUT, HEX 1-8UNC GR5 ZP	2
20	6J460	COMPRESSION SPRING	1

Closing Platform (BEFORE 02/2022)

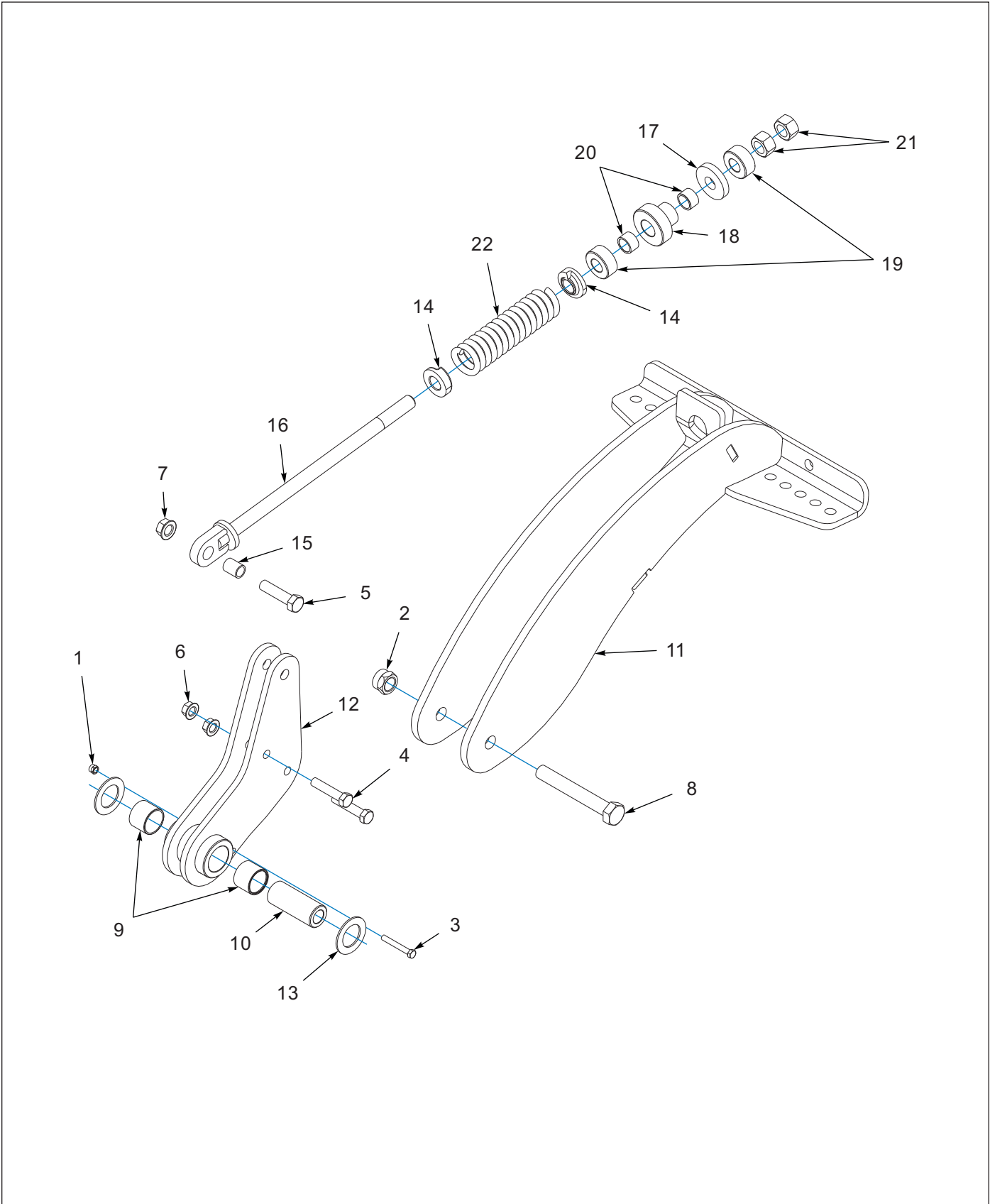


Figure 7-5: Closing Platform (BEFORE 02/2022) (1 of 2)

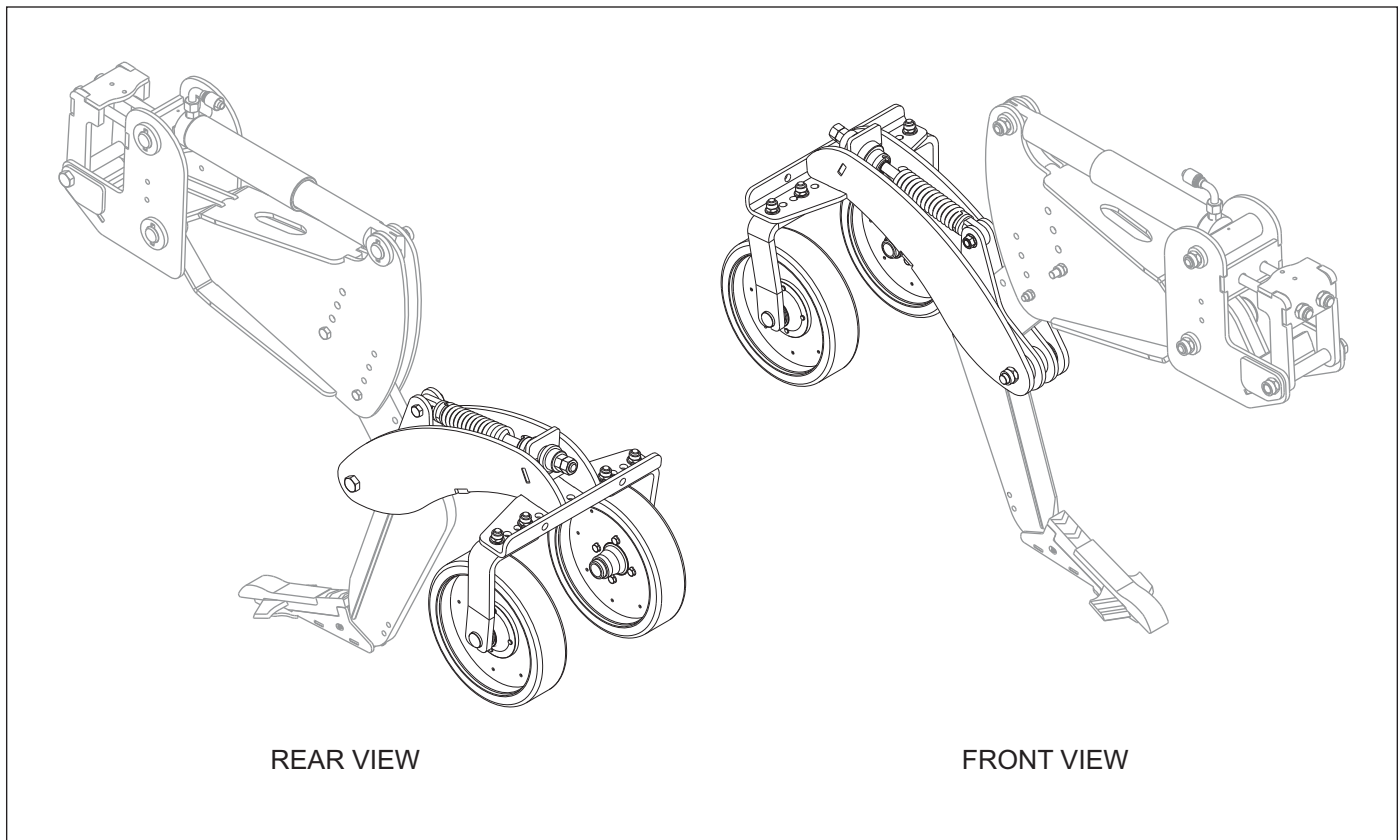


Figure 7-6: Closing Platform (BEFORE 02/2022) (2 of 2)

## Closing Platform (BEFORE 02/2022)

ITEM	PART NUMBER	DESCRIPTION	QTY.
	227150	PLATFORM-CLOSING, 2512, ASM (SHOWN W/ CLOSER WHEEL)	1
1	1-512-010005-05	NUT, HEX, SLFLKG GRB 3/8-16	1
2	1-512-010005-19	NUT 1-8 HEX SLF-LOCKING GRB	1
3	1-654-010051-12	SCREW,HEX CAP,3/8-16UNCX2-3/4	1
4	1-654-010059-09	SCREW 5/8-11UNCX3 HX CP GR5	2
5	1-654-010061-09	SCREW HX CP 3/4-10UNCX3 GR5	1
6	100827	NUT,FLG HD,SERRATED,5/8-11	2
7	103841	NUT,FLG,LNK,SERRATED 3/4-10UNC	1
8	122767	SCREW,HEX CAP 1-8UNCX7 GR8	1
9	210879	BEARING-HEF, 2.004X1.76X1-1/2	2
10	227126	BUSHING,1.75 X 1.03 X 4.313	1
11	227127	FRAME-WHEEL MOUNT, WLDMT	1
12	227129	PIVOT-CLOSER MOUNT, WLDMT	1
13	227132	WASHER-2-7/8X1.78 ID,1/8 UHMW	2
14	227147	PLUG-SPRING, 1-1/16	2
15	227148	TUBE, 1.0 X .782 X 1.250	1
16	227917	BOLT-TENSIONER, WLDMT	1
17	227919	WASHER, 1.03 X 2.75 X 0.5	1
18	227921	BUSHING-SLIDE, BASE	1
19	227922	BUSHING, 2-1/4 X 1-1/32 X 1	2
20	227925	BUSHING, IGUS, MSM-2734-20	2
21	61D16ER	NUT, HEX 1-8UNC GR5 ZP	2
22	6J460	COMPRESSION SPRING	1

# Closer Wheel

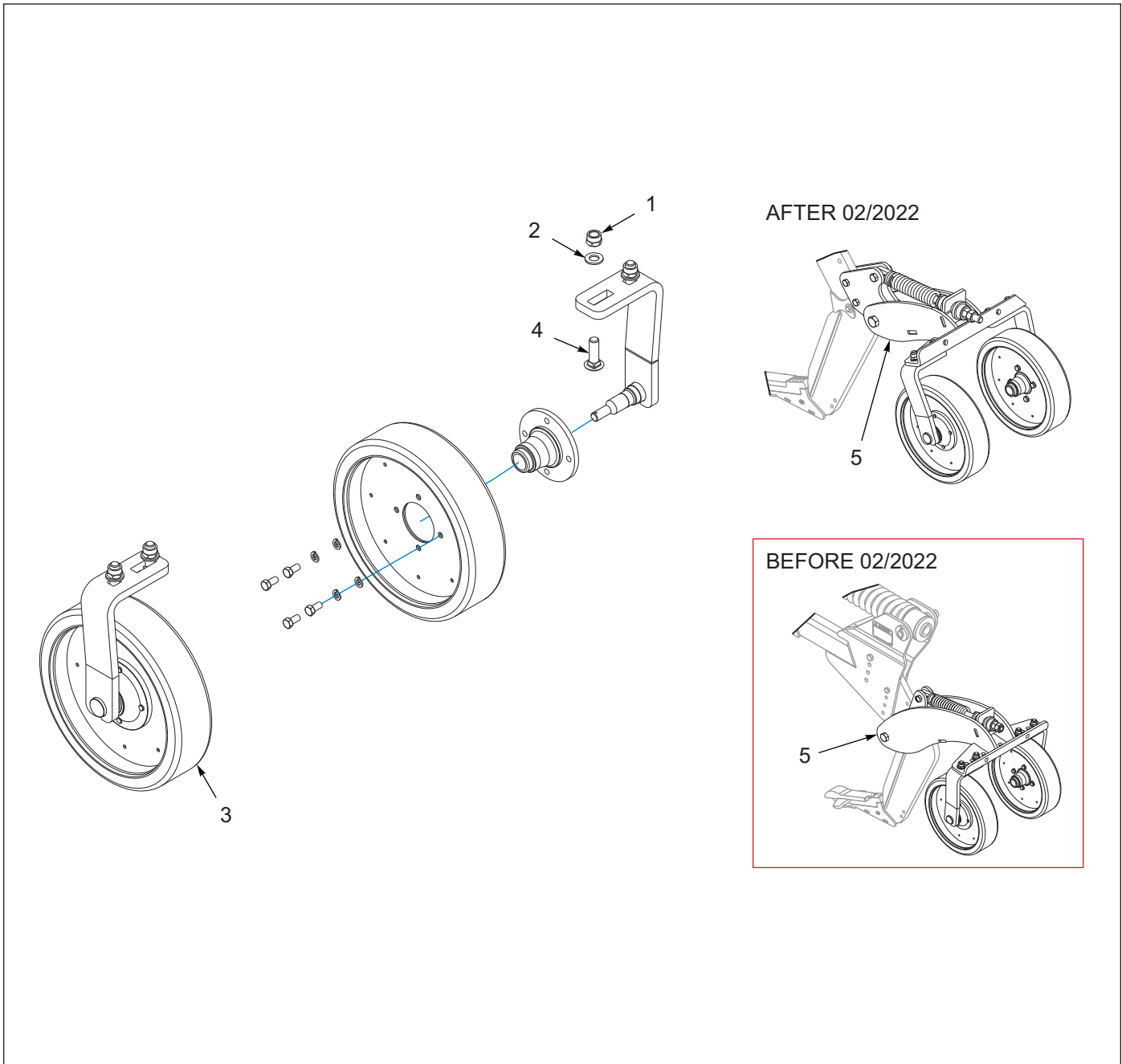


Figure 7-7: Closer Wheel

## Closer Wheel

ITEM	PART NUMBER	DESCRIPTION	QTY.
	227228	CLOSER-WHEEL, RIPPER, ASSY	1
1	1-512-010005-15	NUT,HEX,SLFLKG GRB 3/4-10	4
2	1-861-010032-20	WASHER, FLAT,3/4 N ZP/CD	4
3	182257	WHEEL-CLOSING ASSEMBLY	2
4	3/4-10X2-1/2CB	SCREW,RDH SQNK 3/4-10X2-1/2	4
5	227150	PLATFORM-CLOSING, 2512, ASM (SEE PAGE 7-1) (ALWAYS REPLACE W/ "AFTER 02/2022" CLOSING PLATFORM)	1

# Flat Bar Basket - 20"

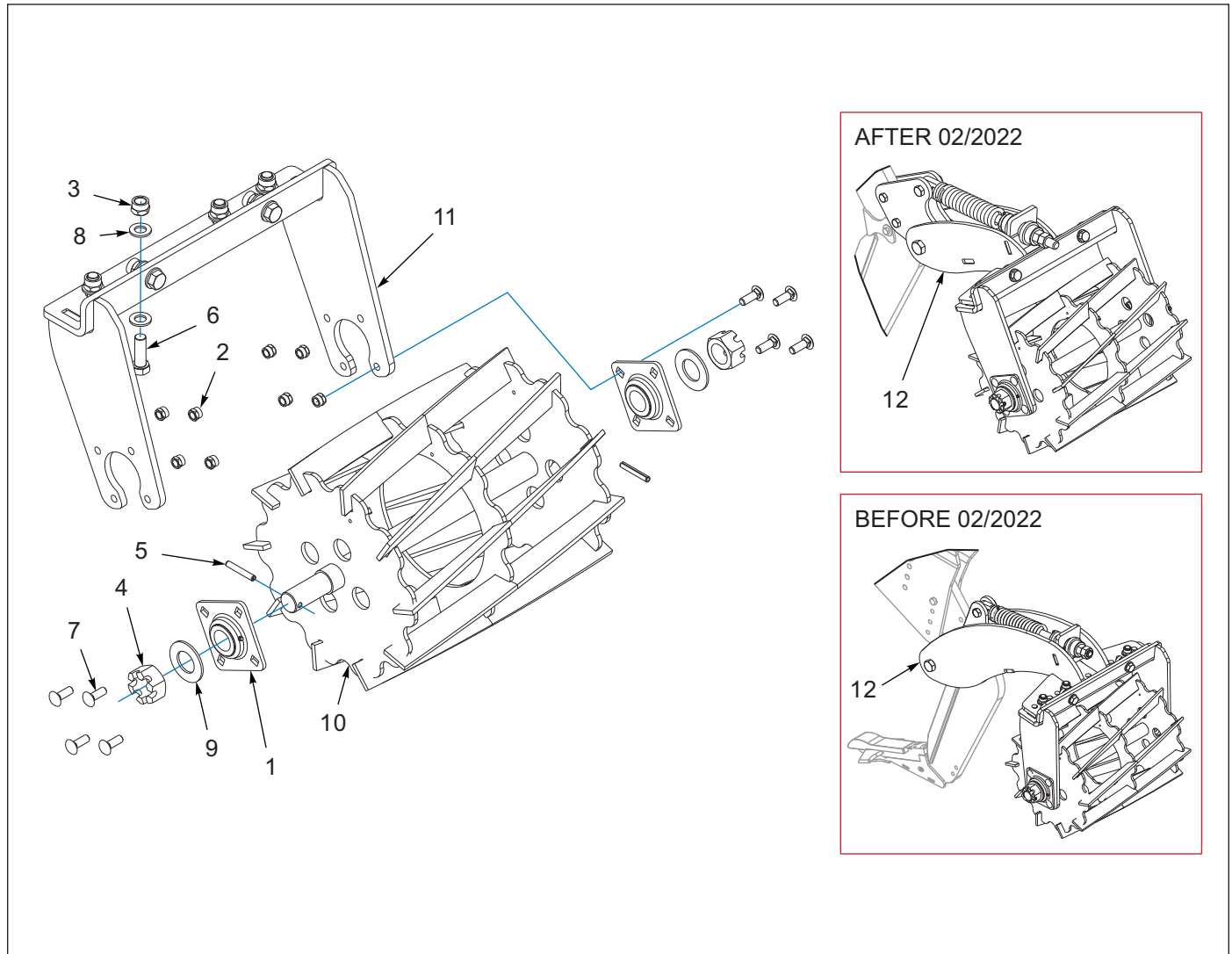


Figure 7-8: Flat Bar Basket - 20"

# Flat Bar Basket - 20"

ITEM	PART NUMBER	DESCRIPTION	QTY.
	227232	BASKET-FLAT BAR, 20 INCH, ASSY	1
1	1-065-010011	BEARING FLANGED 1-1/2ID	2
2	1-512-010005-09	NUT,HEX,SLFLKG, 1/2-13 GRB	8
3	1-512-010005-15	NUT,HEX,SLFLKG GRB 3/4-10	6
4	1-516-010001-27	NUT,HX SLOT 1-1/2-6 ZP	2
5	1-647-010004240	PIN,SPRING,SLOTTED 5/16X2-1/2	2
6	1-654-010061-06	SCREW,HXCP,3/4-10UNCX2-1/4GR5	6
7	1-654-010070-03	SCREW RDHD SQNK1/2-13X1-1/2	8
8	1-861-010032-20	WASHER, FLAT,3/4 N ZP/CD	12
9	1-861-010032-32	WASHER FLAT ZP/CD 1-1/2	2
10	227225	REEL-FLAT BAR, WLDMT	1
11	227231	FRAME-MOUNT,REEL, WLDMT	1
12	227150	PLATFORM-CLOSING, 2512, ASM (SEE PAGE 7-1)	1

**(ALWAYS REPLACE W/ "AFTER 02/2022" CLOSING PLATFORM)**

FINISHING OPTIONS

Closer Disc

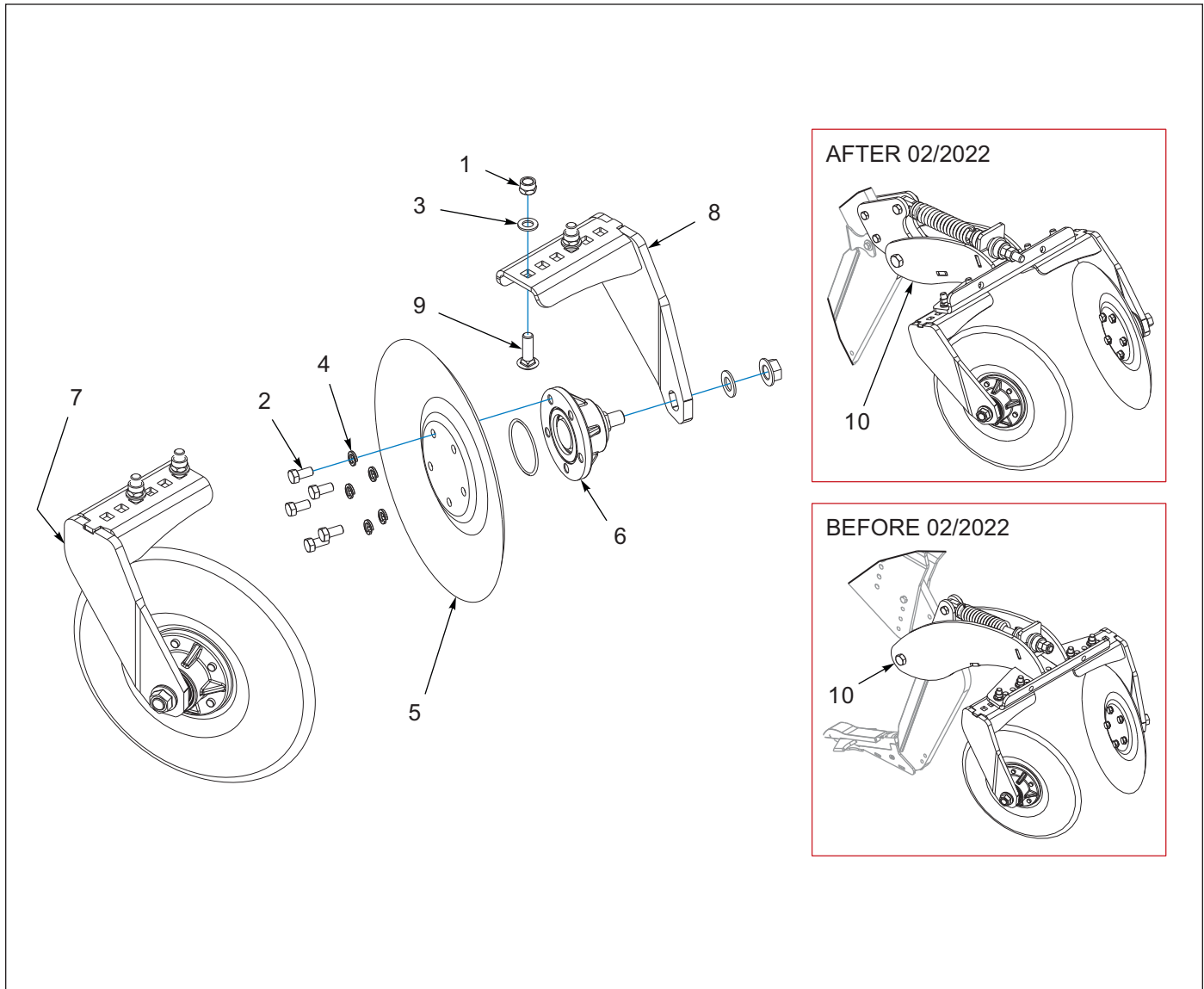


Figure 7-9: Closer Disc

Closer Disc

ITEM	PART NUMBER	DESCRIPTION	QTY.
	227236	CLOSER-DISC, RIPPER, ASSY	1
1	1-512-010005-15	NUT,HEX,SLFLKG GRB 3/4-10	4
2	1-654-010059-02	SCREW,HEX CAP,5/8-11X1-1/4GR5	10
3	1-861-010032-20	WASHER, FLAT,3/4 N ZP/CD	4
4	1-861-010034-15	WASHER,LKG,HLCL SPR,5/8	10
5	201244	DISC-BLADE, 20 INCH, SMOOTH	2
6	210880	KIT-HSL DISC HUB	2
7	227170	SHANK-LH, WLDMT	1
8	227173	SHANK-RH,WLDMT	1
9	3/4-10X2-1/2CB	SCREW,RDH SQNK 3/4-10X2-1/2	4
10	227150	PLATFORM-CLOSING, 2512, ASM (SEE PAGE 7-1)	1

**(ALWAYS REPLACE W/ "AFTER 02/2022" CLOSING PLATFORM)**

# Crumbler Reel

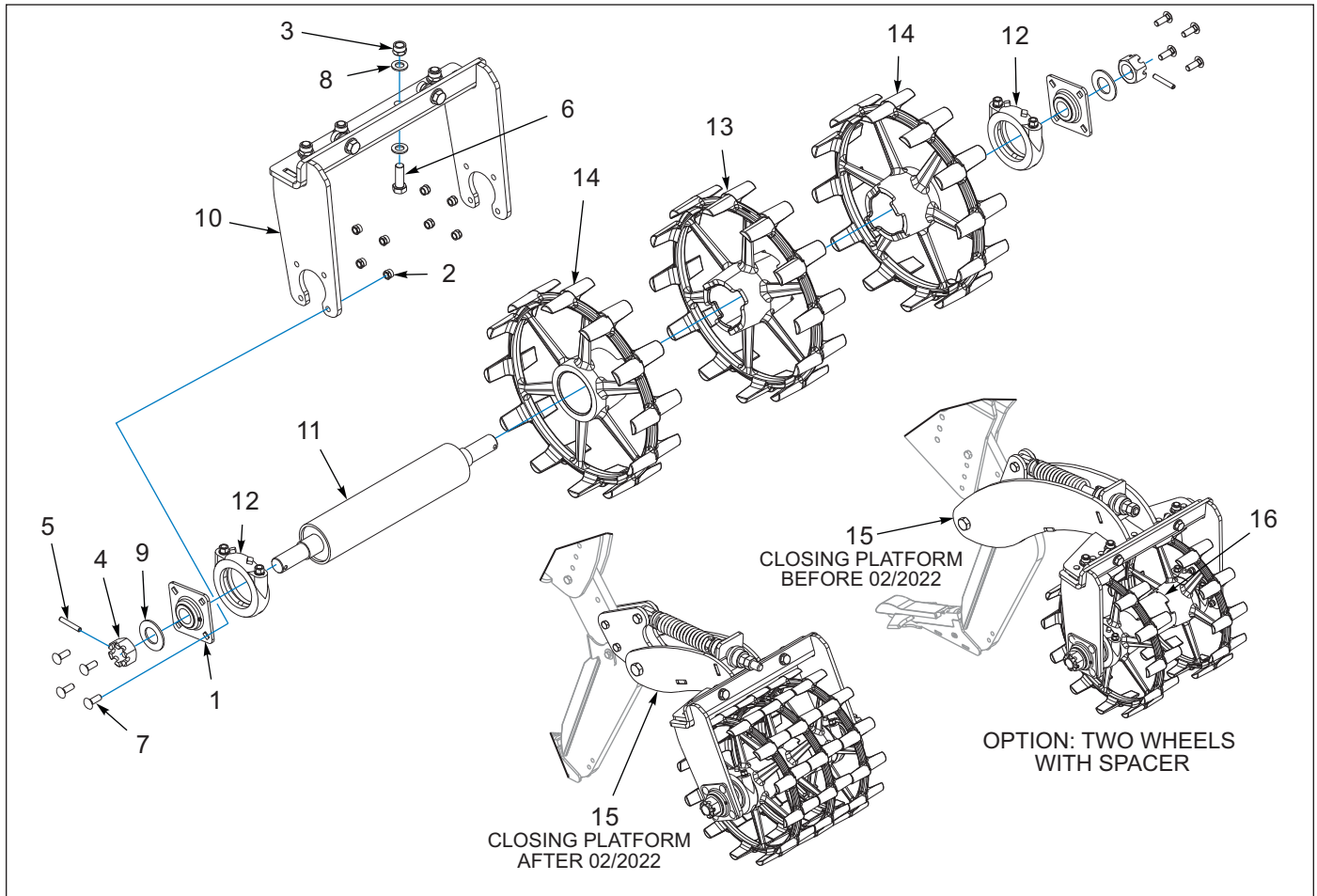


Figure 7-10: Crumbler Reel

# Crumbler Reel

ITEM	PART NUMBER	DESCRIPTION	QTY.
	227237	REEL-CRUMBLER, ASSY	1
1	1-065-010011	BEARING FLANGED 1-1/2ID	2
2	1-512-010005-09	NUT,HEX,SLFLKG, 1/2-13 GRB	8
3	1-512-010005-15	NUT,HEX,SLFLKG GRB 3/4-10	6
4	1-516-010001-27	NUT,HX, SLOT 1-1/2-6 ZP	2
5	1-647-010004240	PIN,SPRING,SLOTTED 5/16X2-1/2	2
6	1-654-010061-06	SCREW,HXCP,3/4-10UNCX2-1/4GR5	6
7	1-654-010070-03	SCREW RDHD SQNK1/2-13X1-1/2	8
8	1-861-010032-20	WASHER, FLAT,3/4 N ZP/CD	12
9	1-861-010032-32	WASHER FLAT ZP/CD 1-1/2	2
10	227231	FRAME-MOUNT, REEL, WLDMT	1
11	227235	AXLE-PACKER, WLDMT	1
12	5J375	AXLE CLAMP ASSY	2
13	6K351	OPTIMIZER WHEEL (7006286) 4"	1
14	6K352	OPTIMIZER END WHEEL (7006287)	2
15	227150	PLATFORM-CLOSING, 2512, ASM (SEE PAGE 7-1) <b>(ALWAYS REPLACE W/ "AFTER 02/2022" CLOSING PLATFORM)</b>	1
16	230839	TUBE-SPACER, CRUMBLER	1

FINISHING OPTIONS

Packer Reel

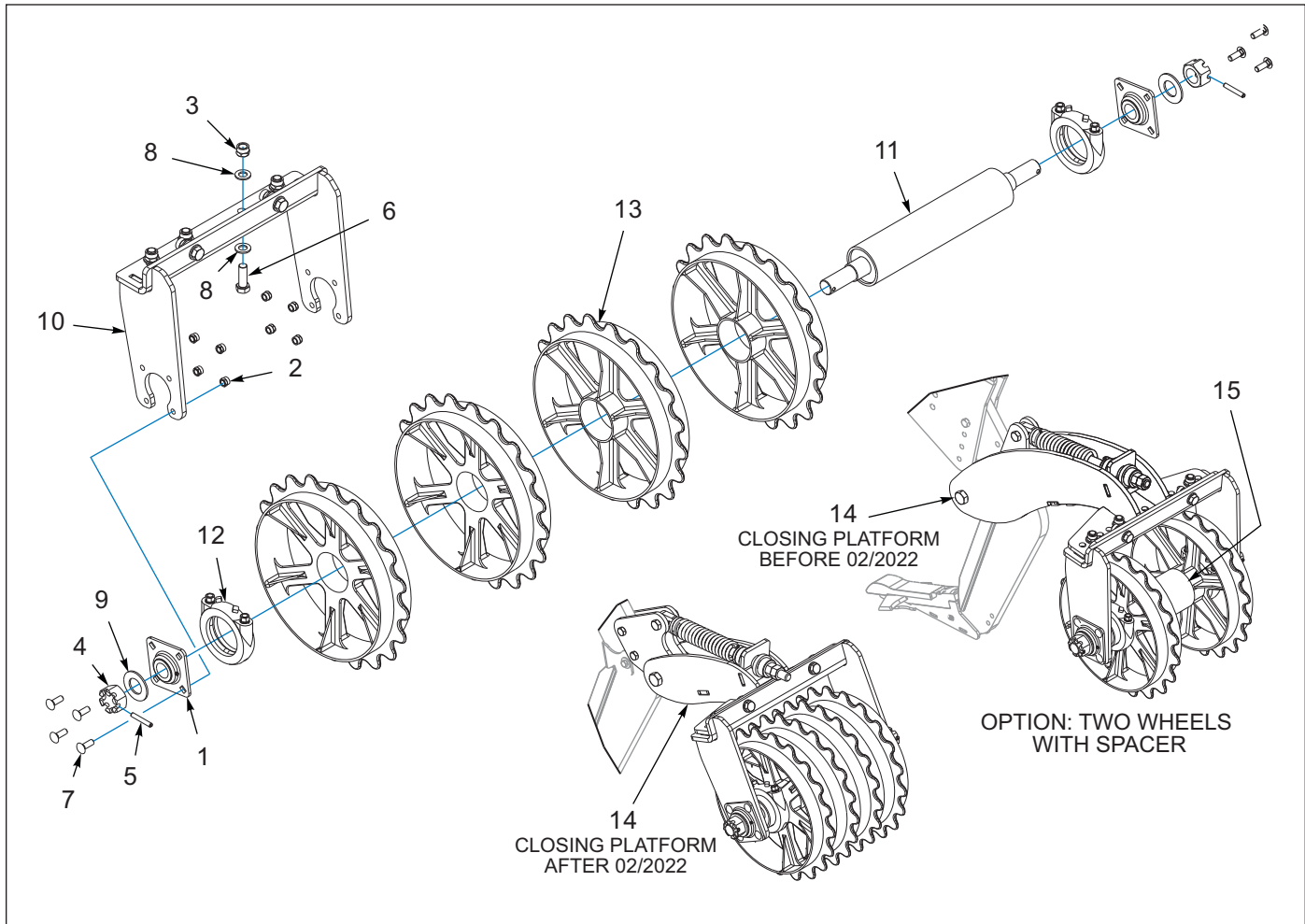


Figure 7-11: Packer Reel

Packer Reel

ITEM	PART NUMBER	DESCRIPTION	QTY.
	227242	REEL-PACKER, ASSY	1
1	1-065-010011	BEARING FLANGED 1-1/2ID	2
2	1-512-010005-09	NUT,HEX,SLFLKG, 1/2-13 GRB	8
3	1-512-010005-15	NUT,HEX,SLFLKG GRB 3/4-10	6
4	1-516-010001-27	NUT, HX SLOT 1-1/2-6 ZP	2
5	1-647-010004240	PIN,SPRING,SLOTTED 5/16X2-1/2	2
6	1-654-010061-06	SCREW,HXCP,3/4-10UNCX2-1/4GR5	6
7	1-654-010070-03	SCREW RDHD SQNK1/2-13X1-1/2	8
8	1-861-010032-20	WASHER, FLAT,3/4 N ZP/CD	12
9	1-861-010032-32	WASHER FLAT ZP/CD 1-1/2	2
10	227231	FRAME-MOUNT, REEL, WLDMT	1
11	227235	AXLE-PACKER, WLDMT	1
12	5J375	AXLE CLAMP ASSY	2
13	9J500	20" DUCTILE END WHEEL 700458	4
14	227150	PLATFORM-CLOSING, 2512, ASM (SEE PAGE 7-1) (ALWAYS REPLACE W/ "AFTER 02/2022" CLOSING PLATFORM)	1
15	230841	TUBE-SPACER, PACKER	1

Treader

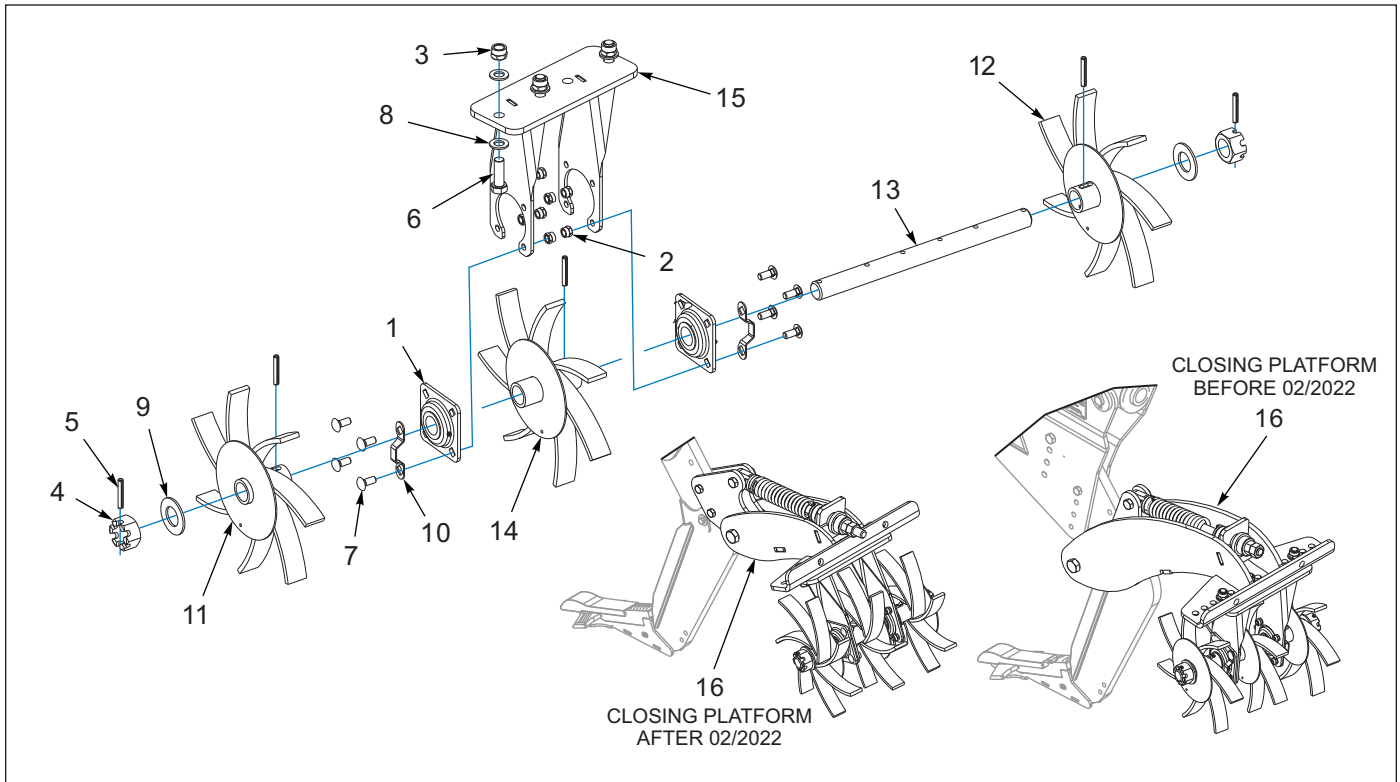


Figure 7-12: Treader

Treader

ITEM	PART NUMBER	DESCRIPTION	QTY.	
	224789	TREADER-LH, 2512, ASSY (LEFT HAND)	1	--
	224790	TREADER-RH, 2512, ASSY (RIGHT HAND)	--	1
1	1-065-010011	BEARING FLANGED 1-1/2ID	2	2
2	1-512-010005-09	NUT,HEX,SLFLKG, 1/2-13 GRB	8	8
3	1-512-010005-15	NUT,HEX,SLFLKG GRB 3/4-10	3	4
4	1-516-010001-27	NUT,HX SLOT 1-1/2-6 ZP	2	2
5	1-647-010004257	PIN,SPRING,SLOTTED 3/8X2-1/2	5	5
6	1-654-010061-06	SCREW,HXCP,3/4-10UNCX2-1/4GR5	3	4
7	1-654-010070-02	SCREW 1/2-13X1-1/4 RD HD SQNK	8	8
8	1-861-010032-20	WASHER, FLAT,3/4 N ZP/CD	7	8
9	1-861-010032-32	WASHER FLAT ZP/CD 1-1/2	2	2
10	206790	PLATE, BEARING ZERK SHIELD	2	2
11	217077	WLDMT,Ø 16" 7 TOOTH, LH FLAT	1	--
11	217082	WLDMT,Ø 16" 7 TOOTH, RH FLAT	--	1
12	217079	WLDMT,Ø 16" 7 TOOTH, LH FLAT	1	--
12	217084	WLDMT,Ø 16" 7 TOOTH, RH FLAT	--	1
13	227163	SHAFT-TREADER, 3 WHEEL GANG	1	1
14	227175	TREADER-16" 7 TOOTH, LH, WLDMT	1	--
14	227176	TREADER-16" 7 TOOTH, RH, WLDMT	--	1
15	227179	HANGER-BEARING, LH, WLDMT	1	--
15	227180	HANGER-BEARING, RH, WLDMT	--	1
16	227150	PLATFORM-CLOSING, 2512, ASM (SEE PAGE 7-1)	1	1

**(ALWAYS REPLACE W/ "AFTER 02/2022" CLOSING PLATFORM)**

## Decals

### Decals

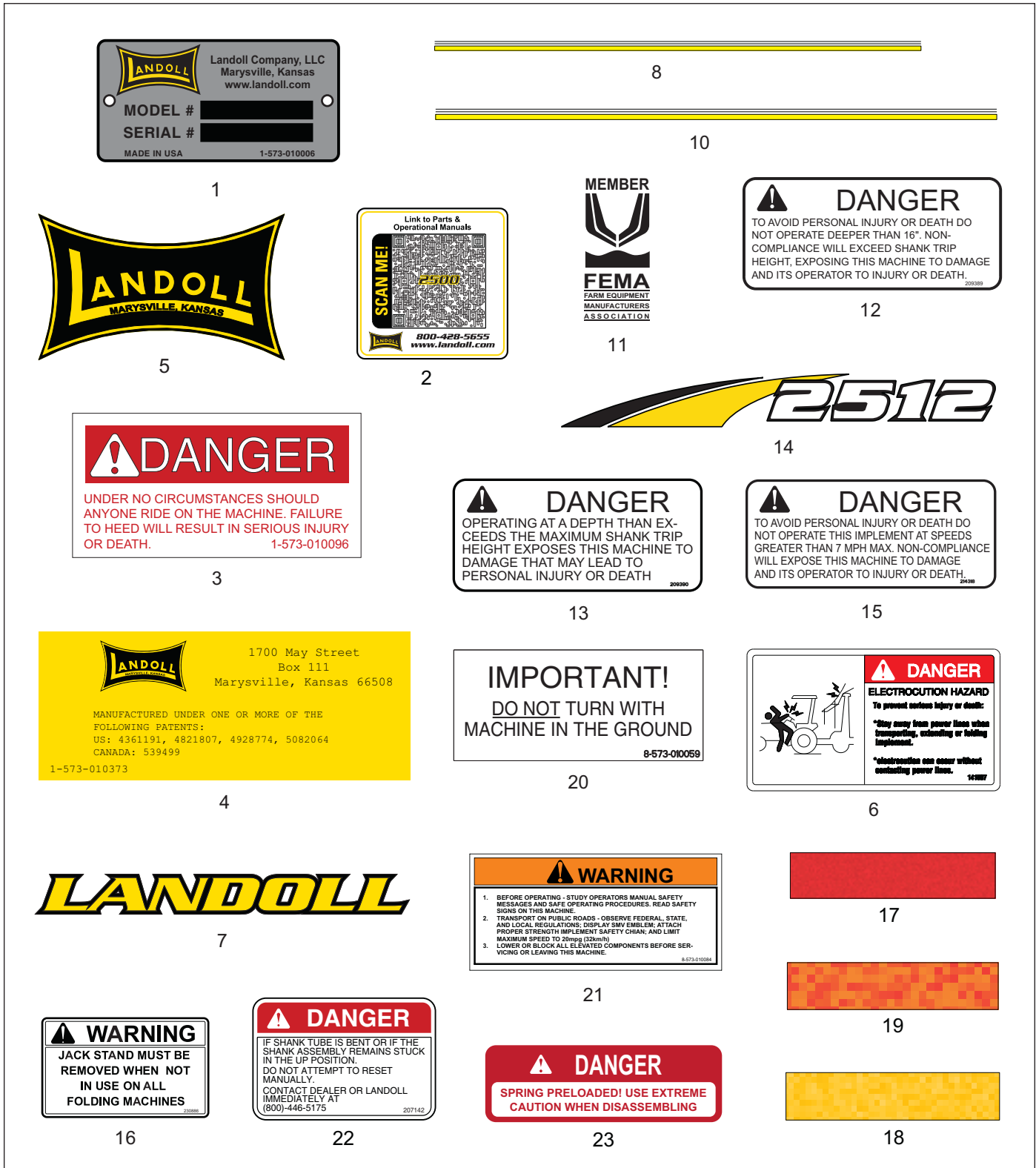


Figure 8-1: Decals

## Decals

ITEM	PART NUMBER	DESCRIPTION	QTY.
1	1-573-010006	PLACARD, NAME	1
2	232182	DECAL-QR CODE, 2500 SERIES	1
3	1-573-010096	DECAL, DANGER NO RIDERS	1
4	1-573-010373	DECAL, PATENT TILLAGE	1
5	141259	DECAL, LANDOLL, YELLOW	4
6	141597	DECAL, DANGER ELECTROCUTION	1
7	148337	ATTACHMENT DECAL, LANDOLL	2
8	151539	DECAL, STRIPE 1" X 54"	4
9	156010	RIVET, BLIND, .156 X 1/2 GRIP	2
10	161515	DECAL, STRIPE 1" X 84"	2
11	2-573-010198	DECAL, MEMBER FEMA	1
12	209389	DECAL - DANGER, 16 IN DEPTH <b>(SPRING AUTO RESET ONLY)</b>	1
13	209390	DECAL - DANGER, OPERATING DEPTH <b>(SPRING AUTO RESET ONLY)</b>	1
14	210881	DECAL, MODEL 2512	4
15	214318	DECAL, 7 MPH MAX <b>(HYDRAULIC RESET ONLY)</b>	1
16	230886	DECAL, JACK STAND	1
17	528933	REFLECTOR - RED	2
18	528934	REFLECTOR - YELLOW	2
19	528938	STRIPE, ORANGE	2
20	8-573-010059	DECAL IMPORTANT NO TURNING	1
21	8-573-010084	DECAL WARNING BEFORE OPERATG	1
22	207142	DECAL, DANGER STUCK SHANK <b>(ONE PER SHANK)</b>	REF
23	2-573-010469	DECAL, DANGER SPRING <b>(ONE PER SHANK)</b>	REF
24	227277	DECAL, DEPTH GAUGE, LH <b>(SEE PAGE 1-25) (SEE PAGE 1-27)</b>	1
25	227278	DECAL, DEPTH GAUGE, RH <b>(SEE PAGE 1-25) (SEE PAGE 1-27)</b>	1

# Decal Placement

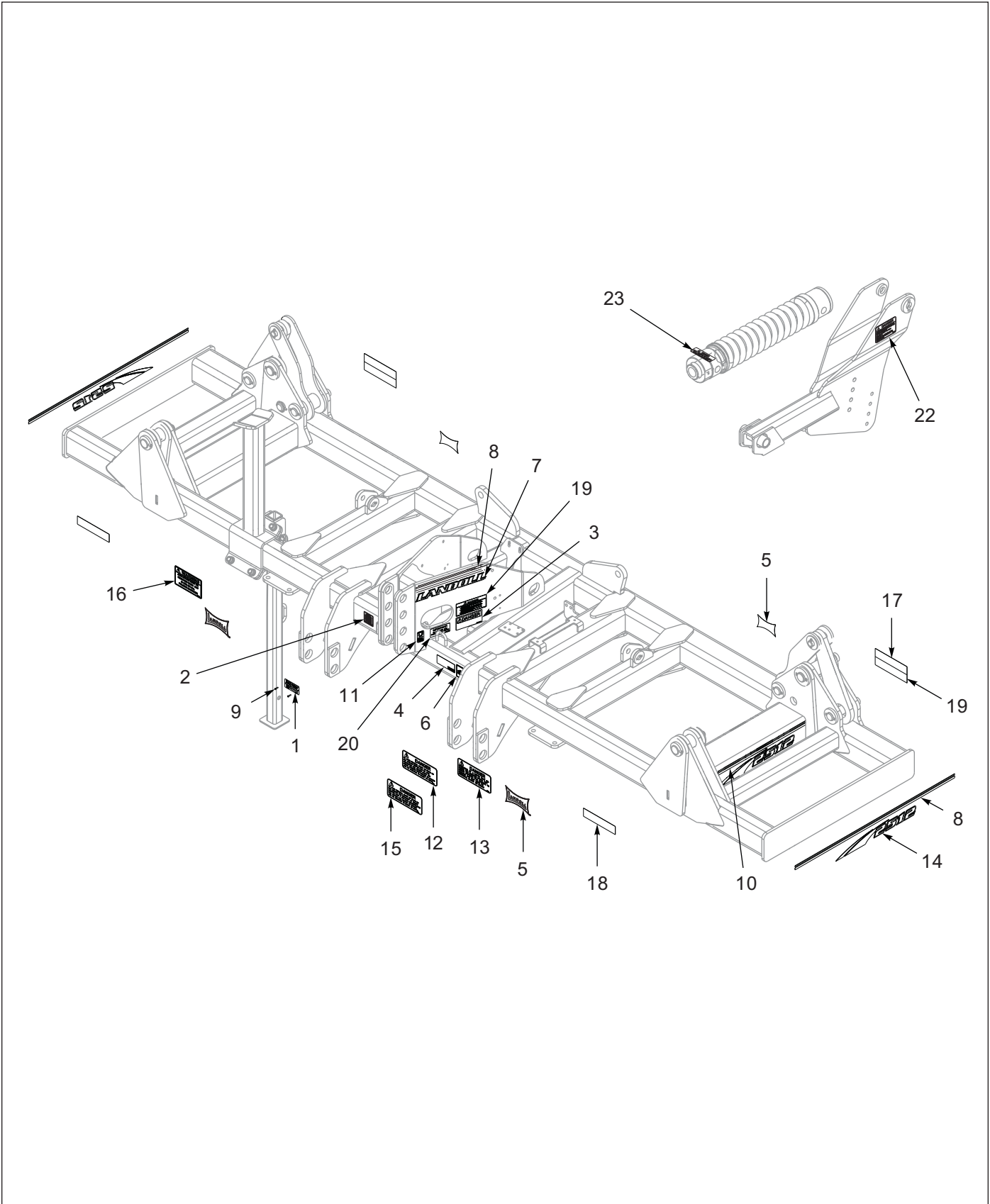


Figure 8-2: Decal Placement

Glossary

For clarity this glossary of industry standard abbreviations and their definitions are provided.

**A**

**ASM** ..... Assembly

**B**

**BATT** ..... Battery  
**BHSC** ..... Button Head Socket Cap  
**BLK** ..... Black

**C**

**CB** ..... Carriage Bolt  
**CONN** ..... Connector  
**CRG** ..... Carriage  
**CTSK** ..... Countersunk  
**CTWT** ..... Counterweight  
**CVR** ..... Cover  
**CYD** ..... Cylinder

**D**

**DBL** ..... Double  
**DIA** ..... Diameter

**E**

**ENCLSD** ..... Enclosed

**F**

**FHCS** ..... Flanged Head Cap Screw  
**FHHCS** ..... Flanged Hex Head Cap Screw  
**FL OR FLG** ..... Flange  
**FLT** ..... Flat

**G**

**GA** ..... Gauge

**H**

**HHCS** ..... Hex Head Cap Screw  
**HCS** ..... High Carbon Steel  
**HD** ..... Head  
**HLCL** ..... Helical  
**HCSKT** ..... Hex Socket  
**HSFC** ..... Hex Socket Flat Countersunk  
**HYD** ..... Hydraulic

**I**

**ID** ..... Inside Diameter

**L**

**LH** ..... Lefthand  
**LKG OR LOCK** ..... Locking  
**LWR** ..... Lower

**M**

**MANF** ..... Manifold  
**MNT** ..... Mount

**N**

**NRW** ..... Narrow  
**-----** ..... Not Serviced Separately

**O**

**OD** ..... Outside Diameter  
**OHG** ..... Overhead Guard  
**ORFS OR ORS** ..... O-Ring Seal  
**ORP OR ORB** ..... O-Ring Boss

**P**

**P-STEER** ..... Power Steering  
**PTFE** ..... Polytetrafluoroethylene (Teflon)

**GLOSSARY**

---

**R**

---

**RH** ..... Righthand  
**RND** ..... Round

**S**

---

**SER** ..... Series  
**SHCS** ..... Socket Head Cap Screw  
**SHLD** ..... Shield  
**SKT** ..... Socket  
**SLFLKG** ..... Selflocking  
**SOC** ..... Socket  
**SPDT** ..... Single Pole Double Throw  
**SPR** ..... Spring  
**SQ** ..... Square  
**SRTD** ..... Serrated  
**SSCR** ..... Setscrew  
**SST** ..... Stainless Steel  
**STD** ..... Standard

**U**

---

**UPR** ..... Upper

**W**

---

**WHL** ..... Wheel  
**WLD OR WLDMT** ..... Weldment

**Numerics**

0018136	4-17	1-397-010369036	4-2
0600-250-01000	1-32	140191	1-26, 1-28
0600-250-03000	1-32	140554	1-29
0600-375-01500	1-26, 1-28	140645	1-29
1-007-010025	4-2, 4-4, 4-17	141236	1-29
100827	7-2, 7-4, 7-6	141238	1-29
101385	1-4, 1-26, 1-28	141251	1-7, 1-8, 1-9, 1-10, 1-11, 1-12
101404	3-2, 3-4, 3-6	141259	8-2
101510	5-2, 5-4, 5-6	141597	8-2
101988	1-26, 1-28	141809	1-26, 1-28
102498	1-29, 2-6, 2-8	141826	4-2, 4-4
102604	2-6, 2-8	141828	1-32, 4-2, 4-4, 4-7, 4-8, 4-10, 4-12, 4-14, 4-16
103841	1-32, 7-2, 7-4, 7-6	141876	4-2, 4-4
104382	4-18	141877	4-7, 4-8, 4-10, 4-12, 4-14, 4-16
104483	1-13, 1-14, 1-15, 1-16, 1-17, 1-18	1422177	4-2
104582	4-17	142337	4-7, 4-8, 4-10, 4-12, 4-14, 4-16
1-065-010011	7-8, 7-10, 7-11, 7-12	142650	1-26, 1-28
1-076-010007	1-29, 2-6, 2-8	142668	1-32
1-076-010010	2-6, 2-8	142669	1-32
108331	1-4, 4-4, 4-23	142753	1-2, 1-4
110-0344	2-6, 2-8	143871	1-32
110116	4-18	144457	1-7, 1-8, 1-9, 1-10, 1-11, 1-12
111190	4-2	146693	4-17
116100	1-4	147072	1-4, 4-24, 5-2, 5-4, 5-6
116432	4-2	147583	4-2, 4-4
116433	4-2	147584	4-2, 4-4
121028	4-17	148337	8-2
122709	1-6	149192	2-2, 2-4
122767	7-6	150244	1-7, 1-8, 1-9, 1-10, 1-13, 1-14, 1-15, 1-16, 1-19, 5-2, 5-4, 5-6
122909	4-2	1-510-010003-09	5-8
122910	4-2, 4-4	1-512-010002-16	1-7, 1-8, 1-9, 1-10
122962	1-13, 1-14	1-512-010003-05	4-17
123547	4-4	1-512-010005-01	1-2, 1-4, 3-2, 3-4, 3-6, 4-2
127351	5-2, 5-4, 5-6	1-512-010005-03	1-32
1-298-010001-1	1-4, 2-6, 2-8	1-512-010005-05	1-32, 4-7, 4-8, 4-10, 4-12, 4-14, 4-16, 5-2, 7-6
134912	1-23	1-512-010005-09	1-2, 1-4, 1-7, 1-8, 1-9, 1-10, 1-14, 1-16, 2-2, 2-4, 2-6, 2-8, 3-2, 3-6, 4-2, 4-4, 4-6, 4-18, 5-2, 5-4, 5-6, 5-8, 7-8, 7-10, 7-11, 7-12
134964	1-13, 1-14, 1-15, 1-16, 1-17, 1-18, 1-19	1-512-010005-13	1-7, 1-8, 1-9, 1-10, 1-13, 1-14, 1-15, 1-16, 1-19, 1-26, 1-28, 2-2, 2-4, 3-2, 3-6, 5-2, 5-4, 5-6
135912	4-24		
138567	1-9, 1-10, 1-14, 1-15, 1-19, 5-2, 5-4, 5-6, 7-2		
139213	4-2, 4-4		

1-512-010005-15	1-2, 1-7, 1-8, 1-9, 1-10, 1-11, 1-12, 1-13, 1-14, 1-15, 1-16, 1-19, 1-20, 1-21, 1-22, 1-26, 1-28, 1-32, 2-6, 2-8, 3-2, 5-2, 5-4, 5-6, 7-7, 7-8, 7-9, 7-10, 7-11, 7-12	1-654-010055-03	2-6, 2-8, 3-2, 3-6, 4-7, 4-8, 4-10, 4-12, 4-14, 4-16
1-512-010005-19	1-4, 1-7, 1-8, 1-9, 1-10, 1-11, 1-12, 1-13, 1-14, 1-15, 1-16, 1-17, 1-18, 1-19, 1-23, 1-28, 7-2, 7-4, 7-6	1-654-010055-04	4-6
1-512-010007-12	2-6, 2-8	1-654-010055-07	5-8
151539	8-2	1-654-010055-09	1-4
1-516-010001-20	1-29	1-654-010055-10	1-2, 1-4
1-516-010001-27	7-8, 7-10, 7-11, 7-12	1-654-010055-11	4-2, 4-4
153841	4-2	1-654-010055-13	2-2, 2-4
155529	4-2, 4-4	1-654-010055-16	4-18
155530	4-7, 4-8, 4-10, 4-12, 4-14, 4-16	1-654-010059-02	7-9
1-557-010013	2-2, 2-4	1-654-010059-03	3-2, 3-6
1-557-010362-40	4-20	1-654-010059-05	1-26, 1-28
1-557-010362-51	1-29	1-654-010059-09	7-6
156010	8-2	1-654-010059-13	1-8, 1-10
156318	4-7, 4-8, 4-10, 4-12, 4-14, 4-16	1-654-010059-14	1-7, 1-9
1-573-010006	8-2	1-654-010061-04	3-2
1-573-010096	8-2	1-654-010061-05	1-32
1-573-010373	8-2	1-654-010061-06	1-20, 1-21, 1-22, 1-26, 7-8, 7-10, 7-11, 7-12
161515	8-2	1-654-010061-07	1-2
162249	1-11	1-654-010061-09	7-2, 7-4, 7-6
162572	4-7, 4-8, 4-10, 4-12, 4-14, 4-16	1-654-010061-13	1-7, 1-8, 1-9, 1-10, 1-13, 1-14, 1-15, 1-16, 1-19, 5-2, 5-4, 5-6
164142	3-2, 3-4, 3-6	1-654-010061-15	2-6, 2-8
164349	1-29	1-654-010061-21	1-11
164352	1-26, 1-28, 1-29	1-654-010061-25	1-11, 1-12
1-647-010004240	7-8, 7-10, 7-11	1-654-010070-02	7-12
1-647-010004255	5-2	1-654-010070-03	5-8, 7-8, 7-10, 7-11
1-647-010004257	4-20, 7-12	1-654-010125-18	7-2, 7-4
165287	4-2	1-655-010001-05	1-9
1-654-010032-25	1-11, 1-12	166171	4-4
1-654-010047-04	3-2, 3-6	168226	2-6, 2-8
1-654-010047-06	1-2, 1-4, 3-2, 3-6	169493	5-2
1-654-010047-08	3-2, 3-4, 3-6	171000	4-17
1-654-010047-10	3-2, 3-4, 3-6	171589	4-18
1-654-010049-01	2-6, 2-8	171591	4-18
1-654-010049-05	1-32	172581	1-7, 1-8, 1-9, 1-10, 1-11, 1-12
1-654-010051-05	4-17	172802	1-4, 1-13, 1-14, 1-15, 1-16, 1-17, 1-18
1-654-010051-07	4-12, 4-14, 4-16	172829	1-7, 1-8, 1-13, 1-16, 1-19, 7-4
1-654-010051-10	5-2	172946	1-4
1-654-010051-11	1-32	174435	3-2, 3-4, 3-6
1-654-010051-12	7-6	174436	3-2, 3-4, 3-6
1-654-010051-13	4-7, 4-8, 4-10, 4-12, 4-14, 4-16	174437	3-2, 3-4, 3-6, 3-8
1-654-010051-14	4-7, 4-8, 4-10, 4-12, 4-14, 4-16	175151	3-2, 3-4, 3-6, 3-8
		176846	2-2, 2-4
		176848	2-4

176849	2-4	193753	1-23
178514	3-2, 3-4, 3-6, 3-8	195196	4-17
179082	2-2, 2-4	195198	4-17
179470	1-5	195566	1-7, 1-8, 1-9, 1-10, 1-13, 1-14, 1-15, 1-16, 1-17, 1-18
179545	2-2, 2-4	197140	1-26, 1-28
179546	2-2, 2-4	1P042	1-32
179547	2-2, 2-4	201244	7-9
179966	2-2, 2-4	201283	4-17
181085	2-4	201291	4-17
181801	4-2	201321	4-6
181843	2-2	202702-6-4S	4-20
181844	2-2	202702-8-8S	4-2, 4-4, 4-17
181845	2-2	202844	1-26, 1-28
182220	2-8	203005-8-8S	4-2
182222	2-8	203384	4-17
182224	2-6, 2-8	203386	4-7, 4-8, 4-10, 4-12, 4-14, 4-16
182225	2-8	203486	1-26, 1-28
182233	2-8	2062-8-8S	4-2
182241	2-4, 2-8	206790	7-12
182242	2-2, 2-8	207142	1-7, 1-8, 1-9, 1-10, 1-11, 1-12, 8-2
182257	7-7	208812	4-2
182270	1-32	209252	1-17, 1-18
182290	3-2	209367	1-17, 1-18
182310	3-2, 3-4	209370	1-17
185216	4-10, 4-12, 4-14, 4-16	209372	1-13, 1-14, 1-15, 1-16, 1-17, 1-18, 4-7, 4-8, 4-10, 4-12, 4-14, 4-16, 4-22
1-861-010032-07	1-2, 1-4, 3-2, 3-6	209389	8-2
1-861-010032-09	2-6, 2-8	209390	8-2
1-861-010032-14	4-6, 4-18, 5-2	209436	4-2
1-861-010032-15	5-2, 5-4, 5-6	210874	1-13, 1-14, 1-15, 1-16, 1-17, 1-18
1-861-010032-18	1-8, 1-13, 1-14, 1-19	210879	1-7, 1-8, 1-9, 1-10, 1-13, 1-14, 1-15, 1-16, 1-17, 1-18, 7-2, 7-4, 7-6
1-861-010032-20	1-20, 1-21, 1-22, 1-32, 2-6, 7-7, 7-8, 7-9, 7-10, 7-11, 7-12	210880	7-9
1-861-010032-21	1-13, 1-14, 1-15, 1-16, 1-17, 1-18	210881	8-2
1-861-010032-24	1-23	210887	1-11, 1-12
1-861-010032-29	1-4	210891	1-2
1-861-010032-32	7-8, 7-10, 7-11, 7-12	213207	1-2
1-861-010034-11	4-17	213212	1-2
1-861-010034-15	7-9	214260	4-10, 4-14
186903	4-2	214261	4-10, 4-14
189739	4-18	214265	1-26, 1-28
189872	4-17	214268	1-26
191655	1-2	214273	1-26
191656	1-2	214274	1-26
192481	4-2, 4-4	214275	1-26, 1-28
192890	1-5		

214276	1-26, 1-28	217214	4-10, 4-12, 4-14
214283	1-26, 1-28	217215	4-8, 4-12, 4-16
214284	1-26, 1-28	217216	4-7, 4-8, 4-10, 4-12, 4-14, 4-16
214297	4-12	217217	4-10, 4-12, 4-14
214305	4-7, 4-8, 4-10, 4-12, 4-18	217218	4-14, 4-16
214307	4-6	217219	4-7, 4-8, 4-10, 4-14, 4-16
214310	4-6	217220	4-14
214315	4-7, 4-8, 4-10, 4-12, 4-14, 4-16	217221	4-16
214316	3-2, 3-4, 3-6	217281	4-16
214317	3-2, 3-4, 3-6	217969	1-11
214318	8-2	217988	4-7, 4-8, 4-10, 4-12, 4-14, 4-16
214319	4-17	218755	1-13, 1-14, 1-15, 1-16, 1-17, 1-18, 1-19
214335	3-2	218757	1-19
214336	3-4	218760	1-19
214337	1-28	218785	1-7, 1-8, 1-9, 1-10, 1-11, 1-12
214346	4-7, 4-8, 4-10, 4-12, 4-14, 4-16	219955	1-5
214347	1-28	219973	1-5
214351	1-28	219974	1-5
214352	1-28	219977	1-5
214353	1-2	219978	1-5
214355	4-14, 4-16, 4-18	219980	1-5
214375	1-18	219981	1-5
214376	4-7	219983	1-5
214377	4-8	219991	1-5
214378	4-10	219992	1-5
214381	4-14	219995	1-5
214384	4-17	219996	1-6
214396	5-8	221311	1-6
214397	1-11	221312	1-6
2-150-010174	1-5	221314	1-5
217077	7-12	221318	1-6
217079	7-12	221319	1-6
217082	7-12	221412	1-7, 1-8, 1-9, 1-10, 1-11, 1-12
217084	7-12	221428	1-11, 1-12
217183	4-6	221433	1-11, 1-12
217196	1-11, 1-12	221434	1-17
217199	4-7	221438	1-18
217200	4-8	221441	1-12
217201	4-10	221445	1-12
217202	4-12	221737	4-12
217203	4-14	221738	4-14
217210	4-10, 4-12, 4-14	221739	4-16
217211	4-7, 4-8, 4-10, 4-12, 4-14, 4-16	221747	4-12
217212	4-7, 4-8, 4-10, 4-12, 4-14, 4-16	221748	4-14
217213	4-7, 4-8, 4-10, 4-12, 4-14, 4-16	221749	4-16

221797	3-8	227132	7-2, 7-4, 7-6
221924	1-6	227147	7-2, 7-4, 7-6
221925	1-2, 1-6	227148	7-2, 7-4, 7-6
221926	1-6	227150	7-2, 7-4, 7-6, 7-7, 7-8, 7-9, 7-10, 7-11, 7-12
221927	1-6	227163	7-12
221939	1-5	227170	7-9
221943	1-5	227173	7-9
221947	1-6	227175	7-12
221948	1-6	227176	7-12
221954	3-6	227179	7-12
221963	1-20, 1-21, 1-22	227180	7-12
221967	3-6	227189	6-2
221990	1-20, 1-21, 1-22	227191	6-2
221993	1-20, 1-21, 1-22	227198	6-2
221997	1-20, 1-21, 1-22	227207	6-2
221998	1-20, 1-21, 1-22	227210	6-2
222011	1-6	227221	6-3
222015	1-20, 1-21, 1-22	227225	7-8
223319	3-8	227228	7-7
223397	4-2, 4-4	227231	7-8, 7-10, 7-11
223398	4-2, 4-4	227232	7-8
223399	4-2, 4-4	227235	7-10, 7-11
224446	1-32	227236	7-9
224450	1-6	227237	7-10
224451	1-6	227242	7-11
224452	1-6	227245	6-3
224467	4-2, 4-4	227247	5-8, 6-2
224468	4-2, 4-4	227265	6-2
224743	5-4	227267	6-2
224744	5-4, 5-8	227271	6-2
224745	5-4	227272	6-2
224746	5-2, 5-8	227273	6-2
224747	5-2	227275	1-26, 1-28
224748	5-2	227276	1-26, 1-28
224752	5-4, 5-6	227277	1-26, 1-28, 8-2
224763	5-6	227278	1-26, 1-28, 8-2
224767	5-6	227280	4-12, 4-16
224768	5-6, 5-8	227281	4-12, 4-16
224786	4-22	227282	4-14, 4-16
224787	4-23	227283	4-14, 4-16
224789	7-12	227284	4-16
224790	7-12	227299	5-8
227126	7-2, 7-4, 7-6	227876	4-12, 4-14, 4-16
227127	7-6	227905	3-4
227129	7-6	227917	7-2, 7-4, 7-6

227919	7-2, 7-4, 7-6	233847	2-6
227921	7-2, 7-4, 7-6	233849	2-6
227922	7-2, 7-4, 7-6	233850	2-6
227925	7-2, 7-4, 7-6	233851	2-6
230839	7-10	233852	1-5
230841	7-11	233855	1-5
230869	1-20, 1-21, 1-22	233856	1-5
230870	1-20, 1-21, 1-22	233857	1-5
230873	1-22	233858	1-5
230874	1-22	233859	1-5
230875	1-22	233860	1-5
230876	1-22	233861	1-5
230880	1-23	233862	1-5
230883	1-23	233865	1-5
230884	1-23	233866	1-5
230886	1-23, 8-2	233867	1-6
230888	1-23	233868	1-6
230889	4-20	233870	1-4, 4-2, 4-24
230890	4-20	233873	2-2
230894	4-20	233874	2-4
230895	4-20	233875	2-2
230896	4-20	233876	2-4
231922	1-28	233877	2-2
232182	8-2	233878	2-4
233781	4-20	233887	2-6
233782	4-20	235887	1-6
233783	4-20	235888	1-6
233784	4-20	235889	1-6
233785	4-20	235892	1-6
233786	4-20	235961	1-32
233787	4-20	235965	1-32
233788	4-20	235966	1-32
233789	4-20	235967	1-32
233790	4-20	2-368-010287	3-2, 3-4, 3-6
233791	4-20	239243	1-13, 1-14, 1-15, 1-16, 1-17, 1-18
233795	1-6	239291	7-2, 7-4
233828	1-5	239293	7-2, 7-4
233830	1-5	239516	1-7, 1-8, 1-9, 1-10
233833	1-4, 4-25	239522	1-8, 1-10, 1-13, 1-14, 1-15, 1-16
233835	2-6	240193	1-32
233836	2-6	240198	1-32
233838	2-6	240265	1-2
233841	2-2, 2-6	240266	1-2
233842	2-4, 2-6	240314	1-7, 1-8, 1-9, 1-10
233845	2-6	240317	1-9



# Instructions for Ordering Parts

**\*\* Repair parts must be ordered through an Authorized Dealer \*\***

## DEALER INSTRUCTIONS FOR ORDERING PARTS FROM LANDOLL PARTS DISTRIBUTION CENTER

Phone: 800-423-4320 or 785-562-5381

Fax: 888-527-3909

Order online: [dealer.landoll.com](http://dealer.landoll.com)

### DATA PLATE

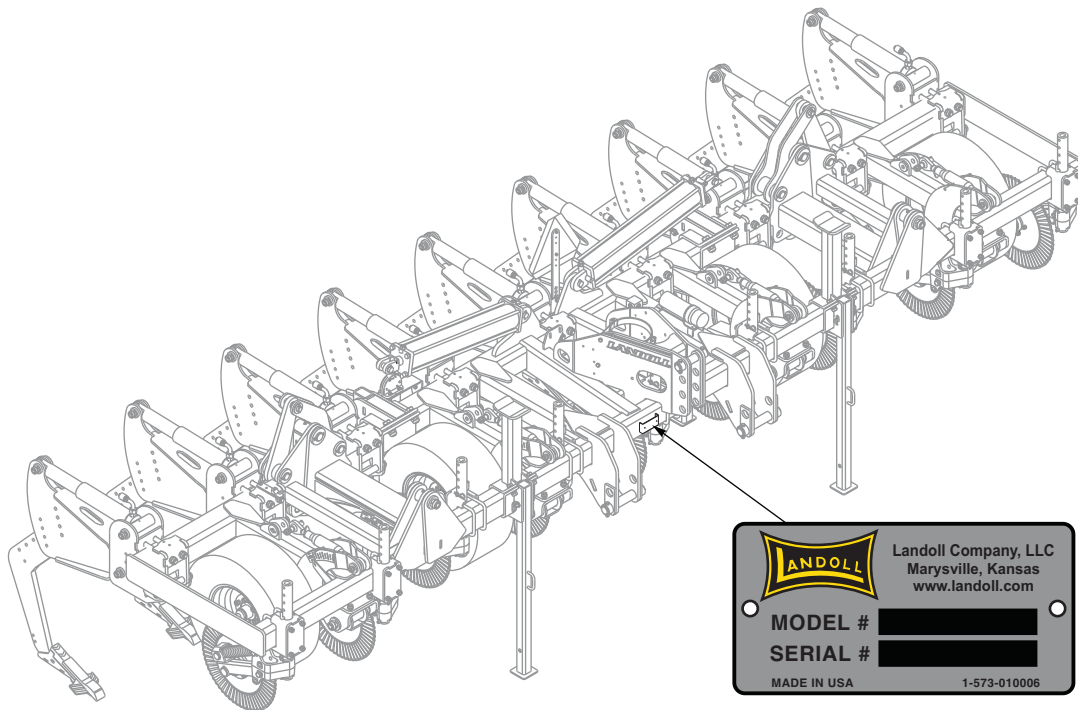
The Data Plate, which lists the model number and serial number, is located on the front of the frame.

### SERIAL NUMBER

The following information will help decode the serial number.

**25C2400100 = xxmysssss**

<b>xx</b>	= model series (i.e. "25" for all In-Line Rippers)
<b>m</b>	= month of manufacture (ex. "C" means March. The letter I is not used.)
<b>yy</b>	= year manufactured (ex. "24" means 2024)
<b>sssss</b>	= sequential number used to track warranty and service information.



**Figure: Data Plate**

## Manuals for 2512 In-Line Ripper and Caddy

FOR UNITS SHIPPED AFTER DECEMBER 1, 2020 (SN: 25M201237 AND ABOVE)  
PREVIOUS UNITS SHOULD REFERENCE F-1039-0320

Manual Number	Manual Type
F-1040	Operator's Manual
F-1039	Parts Manual ( <b>2512 In-Line Ripper ONLY</b> )
F-1075	Caddy Parts Manual ( <b>ONLY</b> )

## Document Control Revision Log:

Date	Form #	Improvement(s): Description and Comments
03/06/2020	F-1039	New Parts Manual
12/2020	F-1039-1220	ECN 46496, 46468, 46559 - Added Shanks, Decals, Hydraulic Hose Asm ECN 46500, 46650 - Frame, Warning Lights Added Closer Platform and Finishing Features, Available Points
01/2021	F-1039-0121	ECN 46795 - Updated Wing Rest Weldments ECN 46837 - Added Rear Jack Option and Decals
10/2021	F-1039-1021	ECN 46857, 47254 - Updated Frame Weldment, Shank, Shank Points, Shank Clamp ECN 47263 - Added Cylinder Stop, Hyd. Adapter Kit, Updated Keeper Wear Guard ECN 47137, 47144, 47307 - Changes to Front Jack Mount, Updated Decals, ECN 47438 - Changes to Folding Frame, Hydraulic Cylinder ECN 47589 - Rev. to Hyd. Shank Hose Asm, Jack and Wing Rest, Stop Cylinders ECN 47623 - Revisions to Parabolic Shank, 1-1/4 Added Finishing Treader Option, Added Coulter Center Positions
12/2021	F-1039-1221	ECN 47679 - Rev. to Parabolic Keeper-Wear Guard and Parabolic Shank Hardware
01/2022	F-1039-0122	ECN 47822 - Add Shank Hardware Kit ECN 47824 - Revised Parabolic Keeper-Wear Guard, Clamp Designs/Torque Values
05/2022	F-1039-0522	ECN 47953, 48076 - Updated Closing Platform Design, Updated Coulter Asm
06/2022	F-1039-0622	ECN 48205 - Added Rear Tow Bar Hitch ECN 48212 (CASR 2283)
01/2023	F-1039-0123	ECN 48550 - Doubler Plates Added to Rigid Frame, Hitch Pin Changes
03/2023	F-1039-2303	ECN 48729 - Changes to Shank Clamp ECN 48900 - Change to 233855 Frame - Cylinder Mount Plates *Revision Format "Year/Month" 07/11/2023 - Correction "Folding Frame" pages 1-3, 1-6 (Item 41, 42)
09/2023	F-1039-2309	ECN 49102 - Revised Wheel Gauges, Auto Reset Spring Clamp (and w/Setback), Wing Rest Weldments, Hose Assemblies, Accumulator Assembly
01/2024	F-1039-2401	ECN 49405, 49409, 49479, 49597 - Coverboard Kit, Warning Light Mount Bracket Depth Gauge Decal, Shanks, Clamps ECN 49817 - New Radius for Jack Stand Weldment (PUB 03/15/2024) Updated ISO logos to ISO 9001:2015 (Revised 04/2024)
06/2024	F-1039-2406	ECN 49901 - Rigid Clamp and Shanks Assemblies ECN 49957 - Revised Closing Platform
07/2024	F-1039-2407	Rebranding to "In-Line" Ripper ECN 50134 - Adapter Quantities (PUB 09/11/2024)
09/2024	F-1039-2409	ECN 50222 - Closing Platform Bolt Change
11/2024	F-1039-2411	Add Wing Lock Kit ECN 50527 - Change to Wear Guard Keeper (PUB 01/27/2025)
05/2025	F-1039-2505	ECN 50633 - Auto Reset Shank Clamp Asm, Hydraulic and Setback ECN 50960 - Shank Clamp Assemblies (PUB 06/12/2025)
10/2025	F-1039-2510	ECN 49601, 49641 - Shear Bolt changes to 243130 & 242821 Shank Clamp Asm
01/2026	F-1039-2601	ECN 51698 - 243130 & 218760 Shank Clamp Asm ECN 52123 - Finishing Roll Pin (PUB 06/24/2026)



**intertek**

Equipment from Landoll Company, LLC is built to exacting standards ensured by ISO 9001:2015 registration at all Landoll manufacturing facilities.

## **2512 In-Line Ripper**

FOR UNITS SHIPPED AFTER DECEMBER 1, 2020  
(SN:25M201237 AND ABOVE)  
PREVIOUS UNITS SHOULD REFERENCE F-1039-0320

## **Parts Manual**

# **Re-Order Part Number F-1039**

### **LANDOLL COMPANY, LLC**

1900 North Street  
Marysville, Kansas 66508  
(785) 562-5381  
**800-428-5655 ~ WWW.LANDOLL.COM**



Copyright 2026. Landoll Company, LLC

“All rights reserved, including the right to reproduce this material or portions thereof in any form.”

