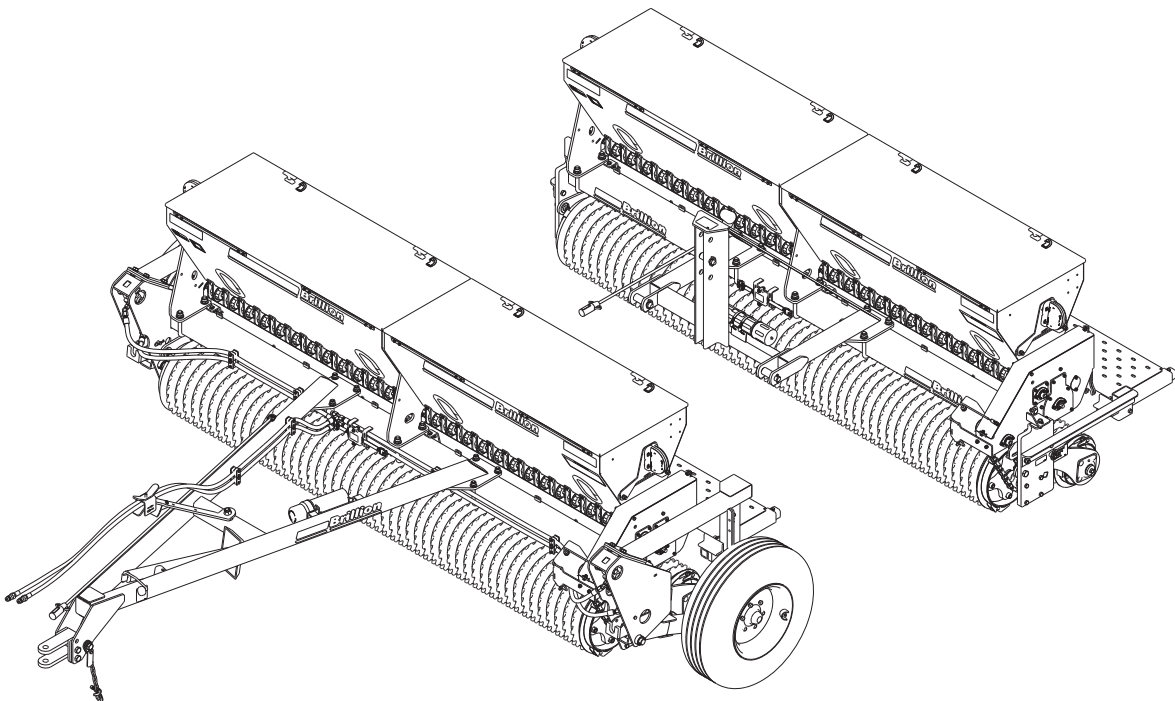




Turfmaker II
Models SL2081/SL2101/SL2121
SLP2081/SLP2101/SLP2121
SLB2081/SLB2101/SLB2121
SLPB2081/SLPB2101/SLPB2121
Parts Manual



LANDOLL COMPANY, LLC

1900 North Street

Marysville, Kansas 66508

(785) 562-5381

800-428-5655 ~ WWW.LANDOLL.COM

Manuals for Turfmaker II

**Models SL2081/SL2101/SL2121, SLP2081/SLP2101/SLP2121,
SLB2081/SLB2101/SLB2121 and SLPB2081/SLPB2101/SLPB2121**

Manual Number	Manual Type
9K998	Operator's Manual
9K997	Parts Manual

Table of Contents

1 Illustrated Parts List

Instructions for Ordering Parts	1-1
Drawbar - 8FT, 10FT, 12FT (AFTER 01/2026)	1-2
Drawbar Frame, Deflectors, Seed Box Mounts - 8FT, 10FT (AFT. 01/26) ...	1-4
Drawbar Frame, Deflectors, Seed Box Mounts - 8FT, 10FT (BEF. 01/26) ...	1-6
Drawbar - 12FT (03/2012 TO 01/2026)	1-8
Drawbar Frame, Deflectors, Seed Box Mounts - 12FT (AFTER 01/2026) ...	1-10
Drawbar Frame, Deflectors, Seed Box Mounts - 12FT (03/12 TO 01/26) ...	1-12
Drawbar Frame, Deflectors, Seed Box Mounts - 12FT (BEF. 03/2012)	1-14
3-PT Frame, Deflectors, Seed Box Mounts - 8FT,10FT,12FT (AFT. 01/26) .	1-16
3-PT Frame, Deflectors, Seed Box Mounts - 8FT, 10FT (BEF. 01/2026) ...	1-18
3-PT Frame, Deflectors, Seed Box Mounts - 12FT (08/2025 TO 01/2026) ..	1-20
3-PT Frame, Deflectors, Seed Box Mounts - 12FT (03/2012 TO 08/2025) ..	1-22
3-PT Frame, Deflectors, Seed Box Mounts - 12FT (BEF. 03/2012)	1-24
Wheel Arm Assembly	1-26
Hub and Spindle Assembly - 6 Bolt (AFTER 05/2021)	1-28
Hub and Spindle Assembly - 5 Bolt (BEFORE 05/2021)	1-29
Tire and Wheel Assembly - 6 Bolt (AFTER 05/2021)	1-30
Tire and Wheel Assembly - 5 Bolt (BEFORE 05/2021)	1-31
Hydraulic Layout	1-32
Hydraulic Schematic	1-34
Wheel and Axle Assemblies	1-36
Front Roller, 3 - Bolt	1-38
Front Roller, 4 - Bolt	1-39
Rear Roller Assembly	1-40
Rear Arm Assemblies	1-41
Transmission Mounting and Drive	1-42
Front Seed Box Transmission Assembly (AFTER 08/2025)	1-44
Front Seed Box Transmission Assembly (01/2020 to 08/2025)	1-48
Front and Rear Seed Box Transmission Asm. (AFTER 05/2026)	1-52
Front and Rear Seed Box Transmission Asm. (01/2020 TO 05/2026)	1-56
Transmission Assembly (BEFORE 01/2020)	1-60
Electric Clutch	1-63
Clutch Switch Box	1-64
Walk Board, Drawbar - 8FT, 10FT, (*12FT - AFTER 01/2026)	1-66
Walk Board, Drawbar - 12FT (BEFORE 01/2026)	1-68
Walk Board, 3-PT - 8FT, 10FT, (*12FT - AFTER 01/2026)	1-70
Walk Board, 3-PT - 12FT (BEFORE 01/2026)	1-72
Adjustable Link, Long	1-74
Adjustable Link, Short	1-75

Front Seed Box, Single Box Mount Brackets (AFTER 01/2026)	1-76
Front Seed Box, Single Box Mount Brackets (BEFORE 01/2026)	1-78
Front Seed Box Assembly	1-80
Seed Shaft Assembly, Left Hand	1-82
Seed Shaft Assembly, Right Hand	1-83
Rear Seed Box, Double Box Mounting Brackets	1-84
Rear Seed Box Assembly	1-86
Seed Shaft Assembly, Left Hand	1-88
Seed Shaft Assembly, Right Hand	1-89
Cover Lock	1-90
LED Warning Lamps - 8FT, 10FT, 12FT (AFTER 01/2026)	1-92
LED Warning Lamps - 8FT and 10FT (09/2013 TO 01/2026)	1-94
LED Warning Lamps - 12FT (09/2013 TO 01/2026)	1-96
Warning Lamp Kit - 8FT and 10FT (BEFORE 09/2013)	1-98
Warning Lamp Kit - 12FT (BEFORE 09/2013)	1-99
Scraper Kit, 8FT Tube Mounted - Optional	1-100
Scraper Kit, 10FT Tube Mounted - Optional	1-101
Scraper Kit, 12FT Tube Mounted - Optional	1-102
Scraper Kit, Angle Mounted - Optional	1-104
S-Tine Tire Track Remover - Optional	1-106
Coil Tine Track Remover - Optional	1-108
Brillion Elite Mini Monitor Kit - Single Seed Box - Optional	1-110
Brillion Elite Mini Monitor Kit - Double Seed Box - Optional	1-114
Electronic Acre Meter Kit with Clutch - Optional	1-118
Acre Meter Assembly (AFTER 06/01/2025)	1-119
Acre Meter Assembly (05/15/2012 TO 06/01/2025)	1-120
Acre Meter Assembly (BEFORE 05/15/2012)	1-121
Console w/Clutch Control Kit - Optional	1-122
Rear Roller Assemblies with Turfmaker Sprockets - Optional	1-124
Hydraulic Cylinder, 2-1/2 x 6 - Lion (AFTER 01/15/2008)	1-126
Hydraulic Cylinder, 2-1/2 x 6 - Hydraulic Gear (BEFORE 01/14/2008)	1-127
Weather Pack Connectors	1-128
AMP Connectors	1-129
Decals	1-130
Decal Placement - Hitch	1-132
Decal Placement - 8FT, 10FT, 12FT (AFTER 01/2026)	1-133
Decal Placement - Single Box, 8FT and 10FT (BEFORE 01/2026)	1-134
Decal Placement - Single Box, 12FT (BEFORE 01/2026)	1-135
Decal Placement - Double Box (BEFORE 01/2026)	1-136

2 Glossary

3 Index

Illustrated Parts List

Instructions for Ordering Parts

**** Repair parts must be ordered through an authorized dealer ****

DEALER INSTRUCTIONS FOR ORDERING PARTS FROM LANDOLL PARTS DISTRIBUTION CENTER

PHONE: 800-423-4320 OR 785-562-5381

FAX: 888-527-3909

ORDER ONLINE: Dealer.landoll.com

DATA PLATE

The Data Plate, which lists the model and serial number of the equipment, is located on the right side of the Turfmaker II.

SERIAL NUMBER NOMENCLATURE

The following information will help decode the Landoll serial number.

LSD2100100 = xxmysssss

xx	= model series (i.e. "LS" for all Landscape Seeders)
m	= month of manufacture (ex. "D" means April. The letter I is not used.)
yy	= last digits of the year manufactured (ex. "21" means 2021)
sssss	= Sequential number used to track warranty and service information.

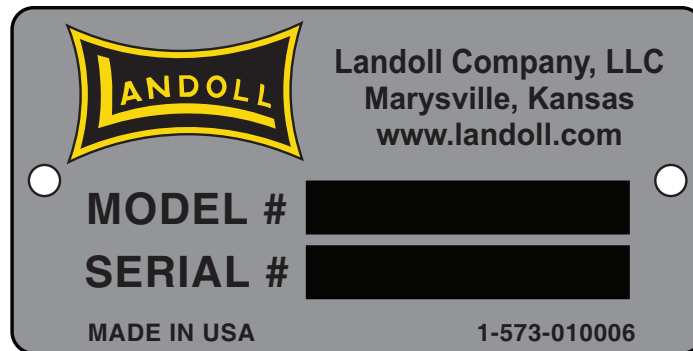


Figure 1-1: Data Plate

Drawbar - 8FT, 10FT, 12FT (AFTER 01/2026)

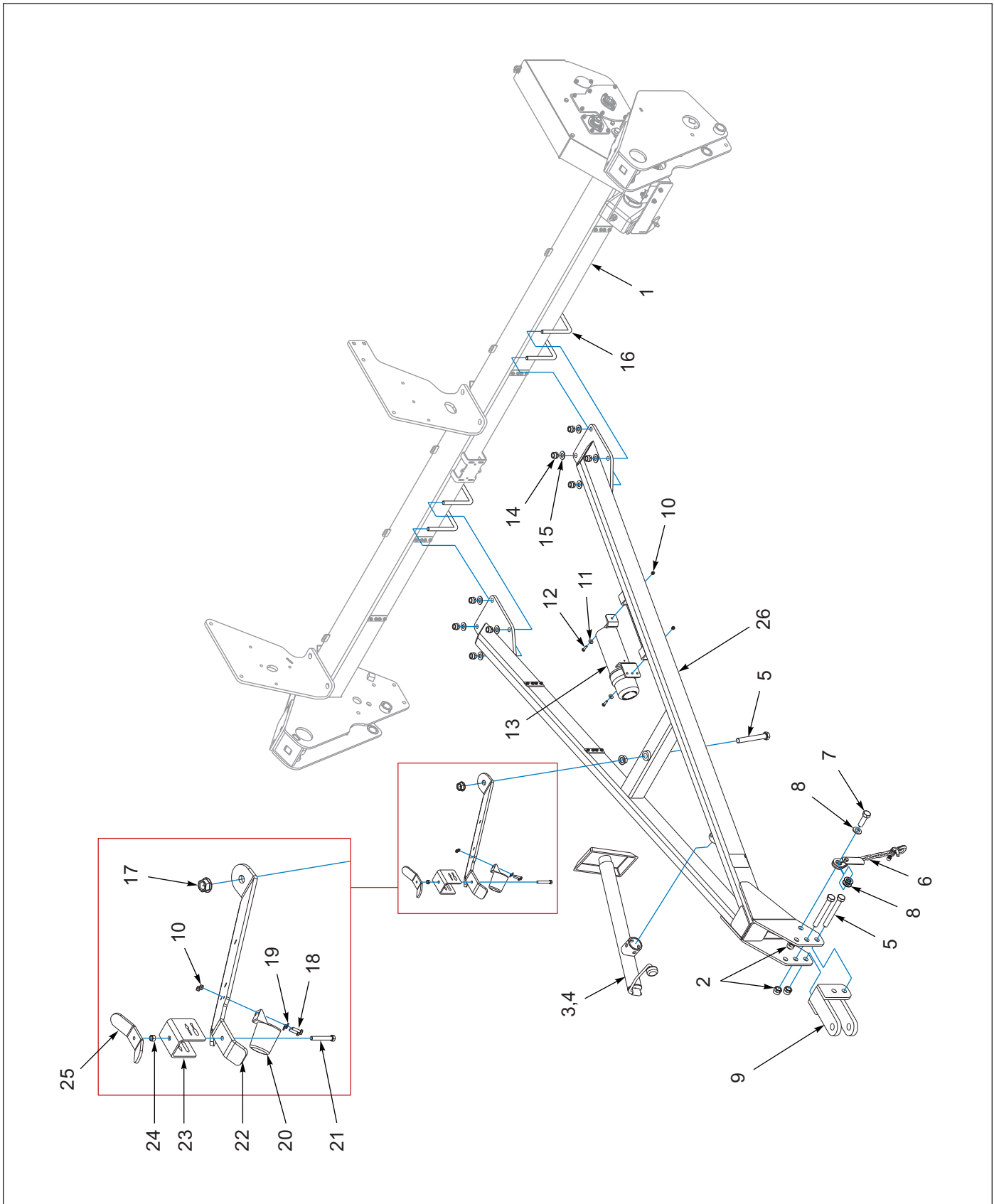


Figure 1-2: Drawbar Frame, Deflectors, Seed Box Mounts - 8FT and 10FT

Drawbar - 8FT, 10FT, 12FT (AFTER 01/2026)

ITEM	PART NUMBER	DESCRIPTION	QTY
1	1K020	8' PULL TYPE FRAME (8FT)	1
1	9J311	10' PULL TYPE FRAME (10FT)	1
1	250122	FRAME-PULL TYPE 12 FT WELDMENT (12FT)	1
2	1-512-010005-15	NUT, LOCK 3/4-10, GRB, ZP	3
3	4J867	JACK (INCLUDES ITEM 4)	1
4	6K458	9/16 JACK PIN W/CHAIN & SCREW (REPLACEMENT PIN)	1
5	W908409-4	SCREW 3/4-10X6 HEX HD CAP	3
6	141433	SAFETY, CHAIN 11,000LB	1
7	1-654-010061-06	SCREW, HXCP, 3/4-10UNC X 2-1/4, GR5	1
8	1-861-010032-20	WASHER, FLAT. 3/4 N, ZP/CD	3
9	4K636	HITCH	1
10	1-512-010005-01	NUT,HEX,SLFLKG GRB 1/4-20	4
11	1-861-010032-07	WASHER,FLAT 1/4 ZP	2
12	1-654-010047-06	SCREW,HX CP 1/4-20UNCX1 GR5	2
13	142753	MANUAL HOLDER	1
14	1-512-010005-13	NUT,HEX SLFLKG GRB 5/8-11	8
15	1-861-010032-18	WASHER, FLAT 5/8 N ZP/CD	8
16	7J990	U-BOLT, 5/8-11 X 5-1/2 X 6-11/16	4
17	103841	NUT,FLG,LNK,SERRATED 3/4-10UNC	2
18	1-654-010047-05	SCREW, HX CP 1/4-20UNCx7/8 GR5	2
19	1-861-010032-06	WASHER, FLAT 1/4 N ZP/CD	2
20	2-368-010287	HARNESS, STOR-A-WAY	1
21	247351	SCREW,3/8-16 UNC HHC FULL THRD	1
22	200829	BRACKET, HOSE HOLDER	1
23	141247	CLAMP, HOSE HOLDER	1
24	1-512-010007-07	NUT, HEX 3/8-16 GR2 ZP	1
25	141249	WING NUT, HOSE HOLDER	1
26	247373	HITCH-SEEDER, WELDMENT	1

Drawbar Frame, Deflectors, Seed Box Mounts - 8FT, 10FT (AFT. 01/26)

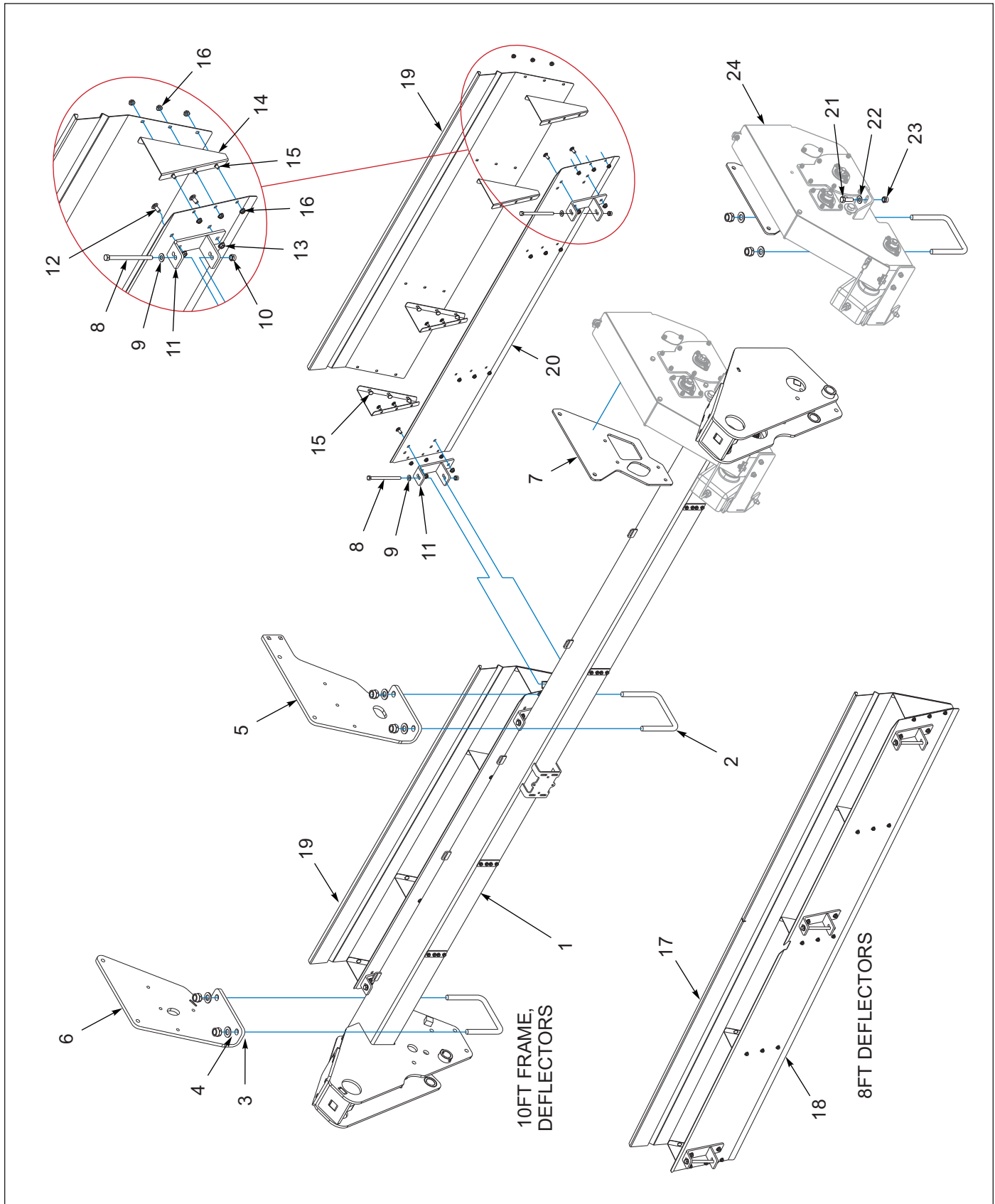


Figure 1-3: Drawbar Frame, Deflectors, Seed Box Mounts - 8FT and 10FT (AFTER 01/26)

Drawbar Frame, Deflectors, Seed Box Mounts - 8FT, 10FT (AFT. 01/26)

ITEM	PART NUMBER	DESCRIPTION	QTY	
			8'	10'
		MODELS		
1	1K020	8' PULL TYPE FRAME	1	--
1	9J311	10' PULL TYPE FRAME	--	1
2	3J450	U-BOLT 3/4-10 X6-13/16X 5-3/4	3	3
3	1-861-010032-20	WASHER, FLAT,3/4 N ZP/CD	6	6
4	1-512-010005-15	NUT,HEX,SLFLKG GRB 3/4-10P	6	6
5	247354	PLATE-SUPPORT, CENTER	1	1
6	247366	PLATE-SUPPORT, END, WELDMENT	1	1
7	222836	PLATE-MOUNT, HOPPER	1	1
8	185216	SCREW, HEX CAP 3/8-16 X 5-1/4, GR5	3	4
9	1-861-010032-10	WASHER, FLAT 3/8" N ZP/CD	3	4
10	1-512-010005-05	HEX, SLFLKG GRB 3/8-16	3	4
11	9J405	DEFLECTOR BRACKET	3	4
12	105909	SCREW,RDHD,SQLNCK,5/16-18X3/4	6	8
13	1-512-010004-03	NUT HX FLANGE, 5/16-18 GR8	6	8
14	9D767	END SHIELD	5	8
15	247493	SCREW, RDHD SHRT NK,1/4-20X1/2	30	48
16	108417	NUT SPIRAL 1/4-20HX FG	30	48
17	5K309	REAR DEFLECTOR - SS/SL208/308	1	--
18	9J913	DEFLECTOR-FRONT, 8	1	--
19	5K308	DEFLECTOR-REAR, 5 FT	--	2
20	9J408	DEFLECTOR-FRONT, 5	--	2
21	1-654-010055-03	SCREW,HEX CAP,1/2-13UNCX1-1/2	1	1
22	1-861-010032-14	WASHER, FLAT 1/2" N ZP/CD	1	1
23	1-512-010005-09	NUT,HEX,SLFLKG, 1/2-13	1	1
24	224166	SL2XX1 TRANSMISSION ASSY	1	1

Drawbar Frame, Deflectors, Seed Box Mounts - 8FT, 10FT (BEF. 01/26)

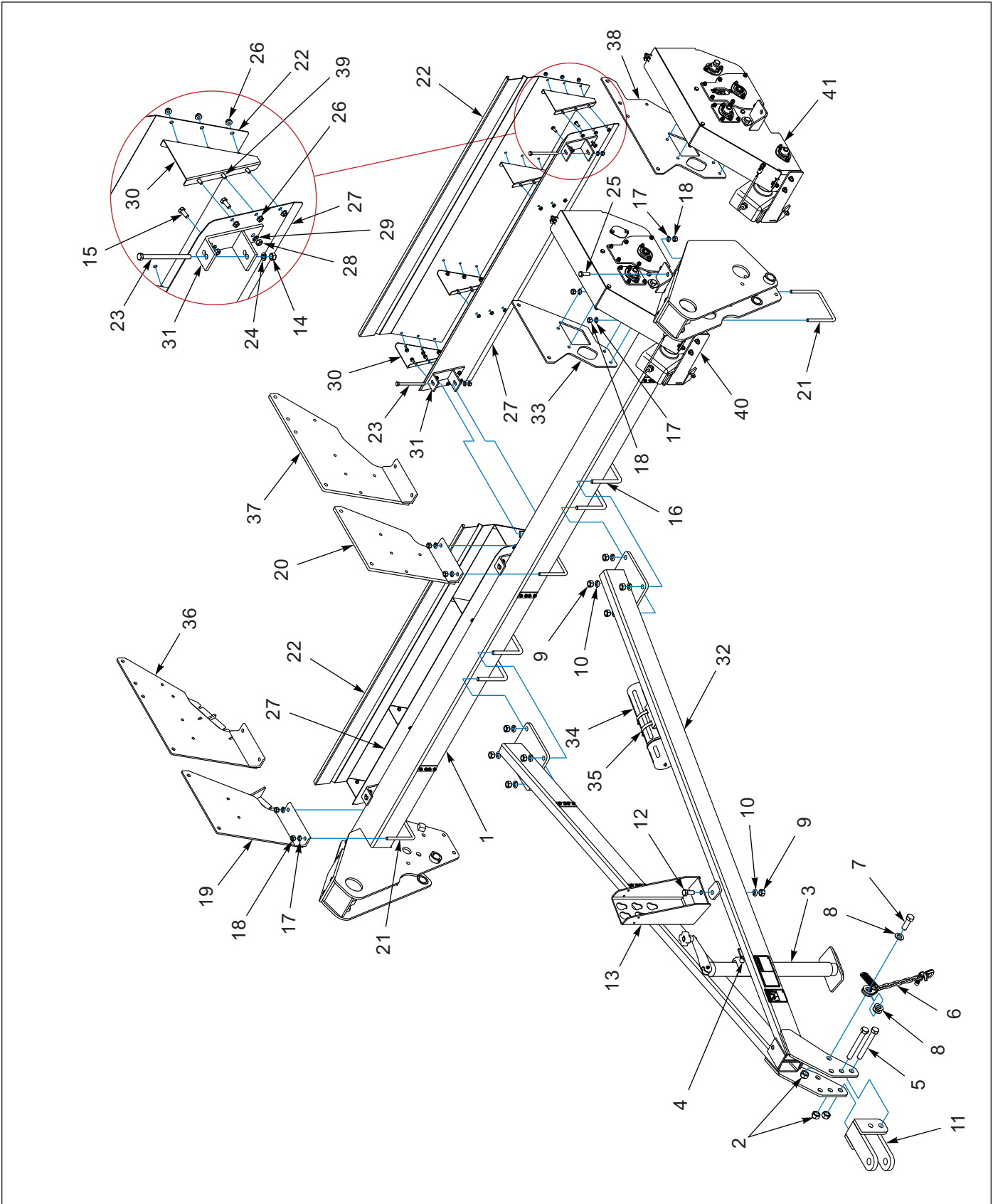


Figure 1-4: Drawbar Frame, Deflectors, Seed Box Mounts - 8FT and 10FT (BEFORE 01/26)

Drawbar Frame, Deflectors, Seed Box Mounts - 8FT, 10FT (BEF. 01/26)

ITEM	PART NUMBER	DESCRIPTION	QTY	
			8'	10'
		MODELS	8'	10'
1	1K020	8' PULL TYPE FRAME	1	--
1	9J311	10' PULL TYPE FRAME	--	1
2	1-512-010005-15	NUT, LOCK 3/4-10, GRB, ZP	3	3
3	4J867	JACK (INCLUDES ITEM 4)	1	1
4	6K458	9/16 JACK PIN W/CHAIN & SCREW (REPLACEMENT PIN)	1	1
5	6D300	HHCS, 3/4-10 X 6, GR5, ZP	2	2
6	141433	SAFETY, CHAIN 11,000LB	1	1
7	1-654-010061-06	SCREW, HXCP, 3/4-10UNC X 2-1/4, GR5	1	1
8	1-861-010032-20	WASHER, FLAT. 3/4 N, ZP/CD	3	3
9	1-512-010007-11	NUT, HEX 5/8-11 GR2, ZP	9	9
10	1-861-010034-15	WASHER, LKG, HLCL SPR, 5/8	9	9
11	4K636	HITCH	1	1
12	1-654-010059-03	SCREW, 5/8-11UNC X 1-1/2 HXCP, G5	1	1
13	8K885	HOSE HOLDER	1	1
14	1-512-010007-07	NUT, HEX 3/8-16, ZP	3	4
15	1-654-010049-03	SCREW, HX CP 5/16-18UNC X 3/4, GR5	6	8
16	7J990	U-BOLT, 5/8-11 X 5-1/2 X 6-11/16	4	4
17	1-861-010034-13	WASHER, LKG HLCL SPR, 1/2	7	7
18	1-512-010007-09	NUT, HEX 1/2-13, ZP	7	7
19	5K972	RH SUPPORT	1	1
20	5K243	CENTER BRACKET	1	1
21	4J918	U-BOLT, 1/2 X 5-1/4 X 6-1/16	3	3
22	5K309	REAR DEFLECTOR - SS/SL208/308	1	--
22	5K308	REAR DEFLECTOR - SS/SL210	--	2
23	185216	SCREW, HEX CAP 3/8-16 X 5-1/4, GR5	3	4
24	1-861-010034-11	WASHER, LKG HLCL SPR, 3/8	3	4
25	1-654-010055-03	SCREW, HEX CAP, 1/2-13UNC X 1-1/2	1	1
26	108417	NUT SPIRAL 1/4-20 HX FG	30	48
27	9J913	FRONT DEFLECTOR	1	--
27	9J408	FRONT DEFLECTOR	--	2
28	1-512-010007-06	NUT, HEX 5/16-18	6	8
29	1-861-010034-10	WASHER, LKG 5/16	6	8
30	9D767	END SHIELD	5	8
31	9J405	DEFLECTOR BRACKET	3	4
32	9J353	DRAWBAR ASSEMBLY	1	1
33	222836	MOUNTING PLATE (AFTER 01/2020)	1	1
33	5K244	MOUNTING PLATE (BEFORE 01/2020)	1	1
34	1-116-010019	MANUAL STORAGE CANISTER	1	1
35	105-0093	HOSE CLAMP 4-1/2 IDEAL #5264	2	2
36	5K970	RH SUPPORT	1	1
37	6K859	CENTER BRACKET	1	1
38	224168	MOUNTING PLATE (AFTER 01/2020)	1	1
38	5K238	MOUNTING PLATE (BEFORE 01/2020)	1	1
39	7J140	SCREW, 1/4-20 X 1/2 (FLANGED)	30	48
40	224166	TRANSMISSION ASM, SL2 (INCLUDES ITEM 33)	1	1
41	224167	TRANSMISSION ASM, SLB2 (INCLUDES ITEM 38)	1	1

Drawbar - 12FT (03/2012 TO 01/2026)

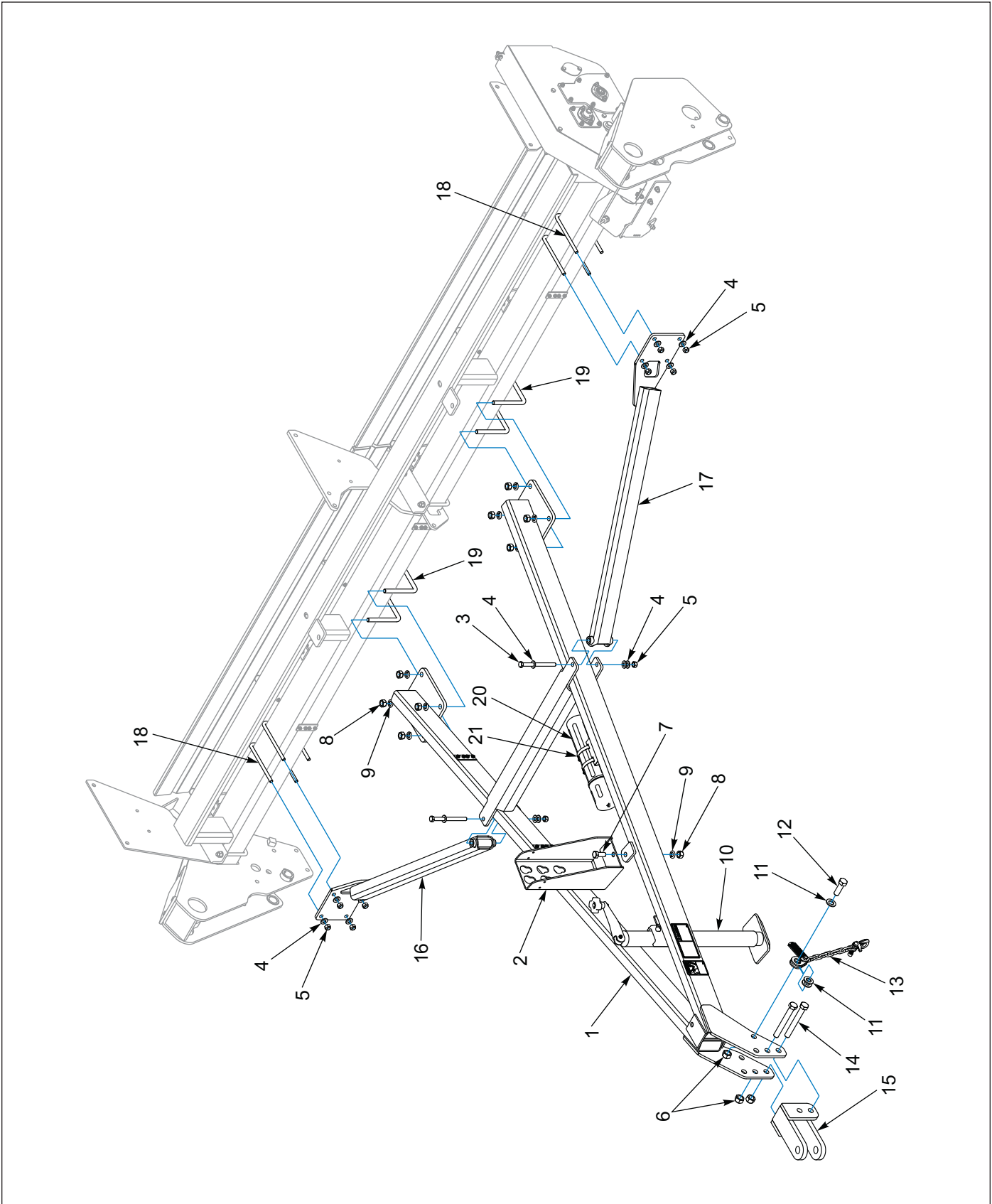


Figure 1-5: Drawbar - 12FT (03/2012 TO 01/2026)

Drawbar - 12FT (03/2012 TO 01/2026)

ITEM	PART NUMBER	DESCRIPTION	QTY
1	169980	DRAWBAR HI CAP SEEDER	1
2	8K885	HOSE HOLDER	1
3	1C675	HHCS, 1/2-13 X 6, GR5, ZP	2
4	1-861-010032-14	WASHER, FLT 1/2 SAE, ZP	14
5	1-512-010005-09	NUT, LOCK 1/2-13, GRB, ZP	10
6	1-512-010005-15	NUT, LOCK 3/4-10, GRB, ZP	3
7	1-654-010059-03	SCREW, 5/8-11UNC X 1-1/2 HXCP, G5	6
8	1-512-010007-11	NUT, HEX 5/8-11 GR2, ZP	16
9	1-861-010034-15	WASHER, LKG, HLCL SPR, 5/8	14
10	4J867	DRAWBAR JACK	1
11	1-861-010032-20	WASHER, FLT 3/4 SAE, ZP	3
12	1-654-010061-06	HHCS, 3/4-10 X 2-1/4, GR5, ZP	1
13	141433	SAFETY CHAIN 11,000 LB	1
14	W908409-4	SCR, 3/4-10 X 6 HEX HD CAP	2
15	4K636	HITCH	1
16	169984	BRACE DRAWBAR RH	1
17	169990	BRACE DRAWBAR LH	1
18	3J561	U-BOLT, 1/2-13 X 7-1/2 X 4-1//2	4
19	7J990	U-BOLT, 5/8-11 X 5-1/2 X 6-11/16	4
20	1-116-010019	MANUAL STORAGE CANISTER	1
21	105-0093	HOSE CLAMP 4-1/2 IDEAL #5264	2

Drawbar Frame, Deflectors, Seed Box Mounts - 12FT (AFTER 01/2026)

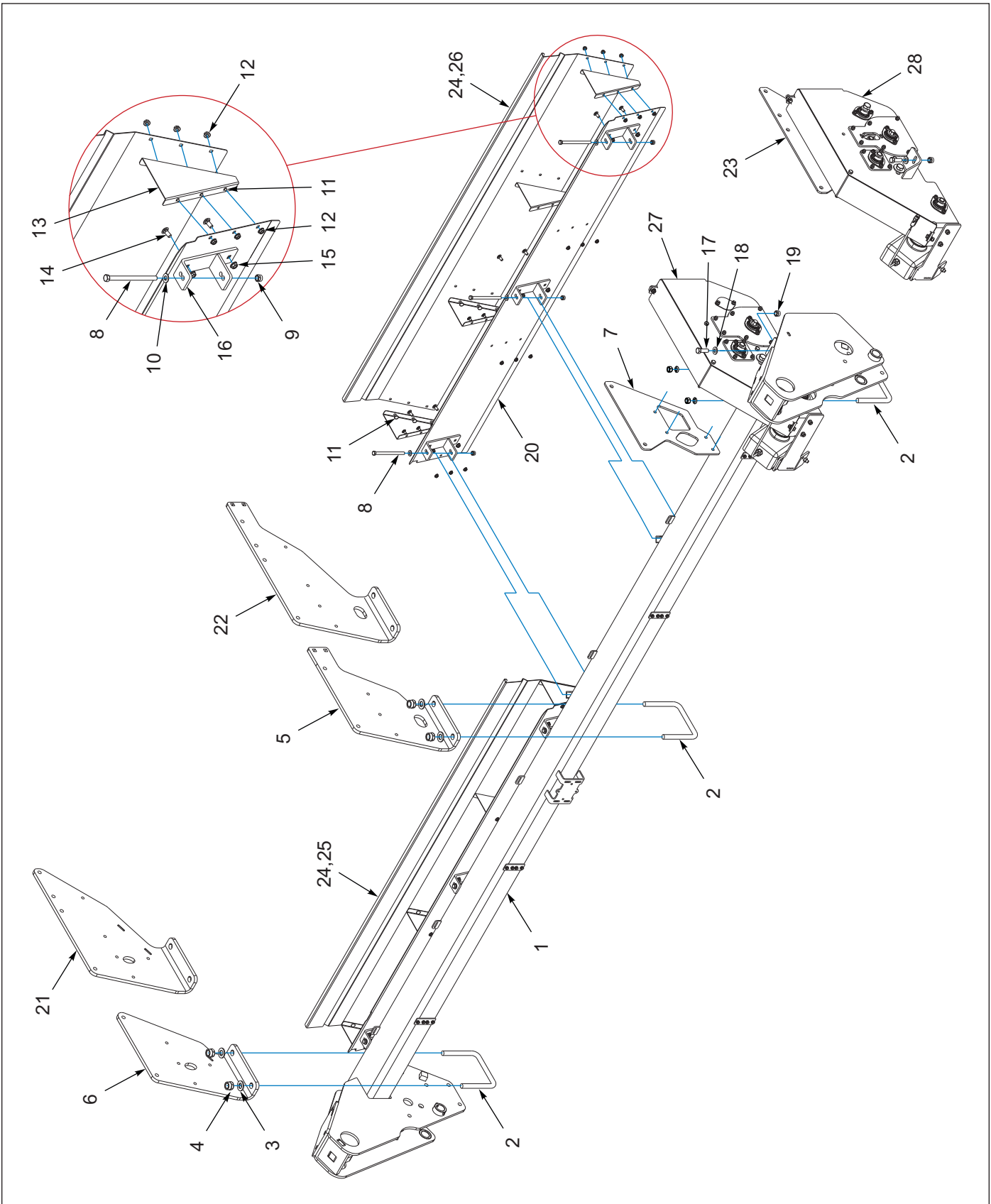


Figure 1-6: Drawbar Frame, Deflectors, Seed Box Mounts - 12FT (AFTER 01/2026)

Drawbar Frame, Deflectors, Seed Box Mounts - 12FT (AFT. 01/2026)

ITEM	PART NUMBER	DESCRIPTION	QTY
1	250122	FRAME-PULL TYPE 12 FT WELDMENT	1
2	3J450	U-BOLT 3/4-10 X6-13/16X 5-3/4	3
3	1-861-010032-20	WASHER, FLAT,3/4 N ZP/CD	6
4	1-512-010005-15	NUT, HEX 1/2-13, ZP	8
5	247354	PLATE-SUPPORT, CENTER	1
6	247366	PLATE-SUPPORT, END, WELDMENT	1
7	222836	MOUNTING PLATE	1
8	185216	SCREW, HEX CAP 3/8-16 X 5-1/4, GR5	6
9	1-512-010005-05	NUT, HEX, SLFLKG GRB 3/8-16	6
10	1-861-010032-10	WASHER, FLAT 3/8" N ZP/CD	6
11	247493	SCREW, RDHD SHRT NK,1/4-20X1/2	48
12	108417	NUT SPIRAL 1/4-20HX FG	48
13	9D767	END SHIELD	8
14	105909	SCREW,RDHD,SQNCK,5/16-18X3/4	12
15	1-510-010004-03	NUT HX FLANGE, 5/16-18 GR8	12
16	9J405	DEFLECTOR BRACKET	6
17	1-654-010055-03	SCREW, HEX CAP, 1/2-13UNC X 1-1/2	1
18	1-861-010032-14	WASHER, FLAT 1/2" N ZP/CD	1
19	1-512-010005-09	NUT,HEX,SLFLKG, 1/2-13 GRB	1
20	2K940	FRONT DEFLECTOR	2
21	247392	PLATE-SUPPORT, END (SLB2121)	1
22	247391	PLATE-SUPPORT, CENTER (SLB2121)	1
23	224168	MOUNT PLATE	1
24	5K307	REAR DEFLECTOR - SS/SL212	2
25	199555	REAR DEFLECTOR, RH SSB/SLB212 (USED W/ 185944 SENSOR)	1
25	234196	REAR DEFLECTOR, RH SLB212 (USED W/ 174419 SENSOR)	1
26	199554	REAR DEFLECTOR, LH SSB/SLB212 (USED W/ 185944 SENSOR)	1
27	224166	TRANSMISSION ASM, SL2 (INCLUDES ITEM 7)	1
28	224167	TRANSMISSION ASM, SLB2 (INCLUDES ITEM 23)	1

Drawbar Frame, Deflectors, Seed Box Mounts - 12FT (03/12 TO 01/26)

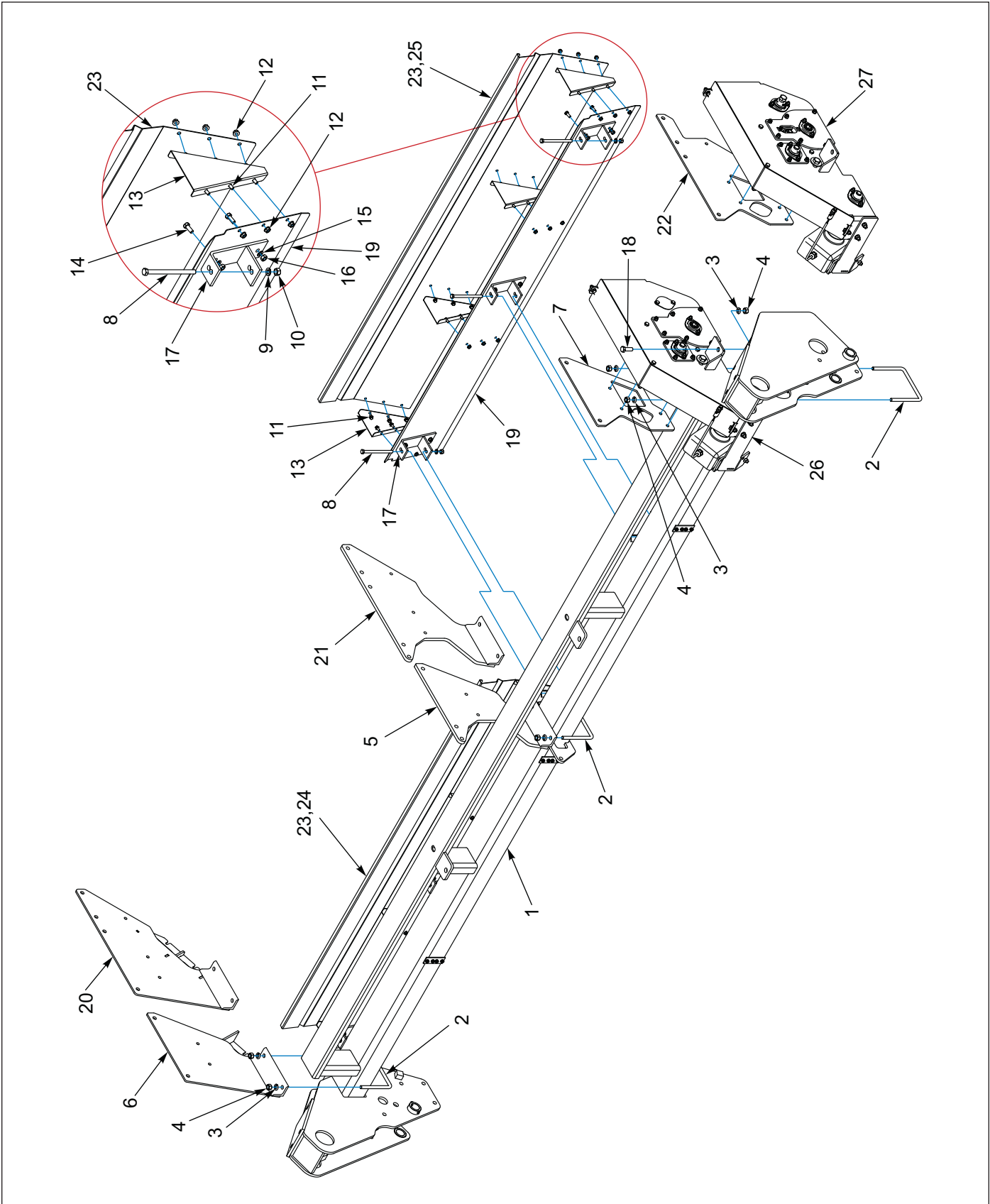


Figure 1-7: Drawbar Frame, Deflectors, Seed Box Mounts - 12FT (03/2012 TO 01/2026)

Drawbar Frame, Deflectors, Seed Box Mounts - 12FT (03/12 TO 01/26)

ITEM	PART NUMBER	DESCRIPTION	QTY
1	9K735	FRAME, PULL TYPE 12'	1
2	4J918	U-BOLT, 1/2-13 X 6-1/2 X 5-1/4, ZP	3
3	1-861-010034-13	WASHER, LKG HLCL, 1/2	6
4	1-512-010007-09	NUT, HEX 1/2-13, ZP	6
5	6K939	CENTER BRACKET	1
6	5K972	RH SUPPORT	1
7	222836	MOUNTING PLATE (AFTER 01/2020)	1
7	5K244	MOUNTING PLATE (BEFORE 01/2020)	1
8	185216	SCREW, HEX CAP 3/8-16 X 5-1/4, GR5	6
9	1-861-010034-11	WASHER, LKG, HLCL SPR, 3/8	6
10	1-512-010007-07	NUT, HEX 3/8-16	12
11	7J140	SCREW, 1/4-20 X 1/2 (FLANGED)	48
12	108417	NUT SPIRAL 1/4-20HX FG	48
13	9D767	END SHIELD	8
14	1-654-010049-03	SCREW, HX CP 5/16-18UNC X 3/4, GR5	12
15	1-861-010034-10	WASHER, LKG 5/16	12
16	1-512-010007-06	NUT, HEX 5/16-18, ZP	12
17	9J405	DEFLECTOR BRACKET	6
18	1-654-010055-03	SCREW, HEX CAP, 1/2-13UNC X 1-1/2	2
19	2K940	FRONT DEFLECTOR	2
20	5K970	RH SUPPORT	1
21	6K937	CENTER BRACKET	1
22	224168	MOUNT PLATE (AFTER 01/2020)	1
22	5K238	MOUNTING PLATE (BEFORE 01/2020)	1
23	5K307	REAR DEFLECTOR - SS/SL212	2
24	199555	REAR DEFLECTOR, RH SSB/SLB212 (USED W/ 185944 SENSOR)	1
24	234196	REAR DEFLECTOR, RH SLB212 (USED W/ 174419 SENSOR)	1
25	199554	REAR DEFLECTOR, LH SSB/SLB212 (USED W/ 185944 SENSOR)	1
26	224166	TRANSMISSION ASM, SL2 (INCLUDES ITEM 7)	1
27	224167	TRANSMISSION ASM, SLB2 (INCLUDES ITEM 22)	1

Drawbar Frame, Deflectors, Seed Box Mounts - 12FT (BEF. 03/2012)

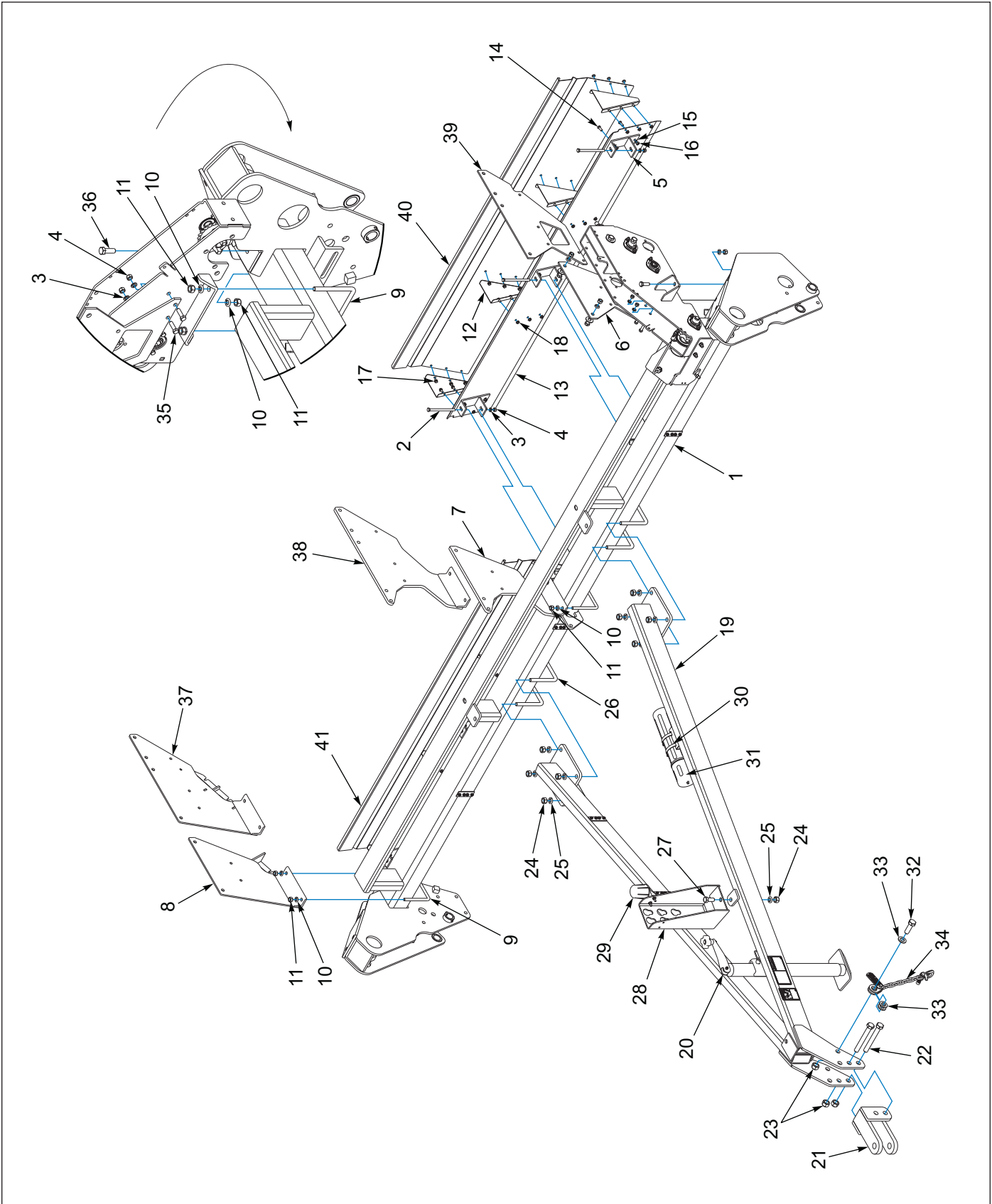


Figure 1-8: Drawbar Frame, Deflectors, Seed Box Mounts - 12FT (BEFORE 03/2012)

Drawbar Frame, Deflectors, Seed Box Mounts -12FT (BEF. 03/2012)

ITEM	PART NUMBER	DESCRIPTION	QTY
1	9K735	FRAME, PULL TYPE 12'	1
2	185216	SCREW, HEX CAP, 3/8-16 X 5-1/4, GR5	6
3	1-861-010034-11	WASHER, LKG HLCL SPR, 3/8	8
4	1-512-010007-07	NUT, HEX 3/8-16, ZP	8
5	9J405	DEFLECTOR BRACKET	6
6	5K244	MOUNTING PLATE (BEFORE 01/2020)	1
7	6K939	CENTER BRACKET	1
8	5K972	SUPPORT, RH	1
9	4J918	U-BOLT, 1/2-13 X 6-1/2 X 5-1/4, ZP	3
10	1-861-010034-13	WASHER, LKG HLCL, 1/2	7
11	1-512-010007-09	NUT, HEX 1/2-13, ZP	7
12	9D767	END SHIELD	8
13	2K940	FRONT DEFLECTOR	2
14	1-654-010049-03	SCREW, HX CP 5/16-18UNC X 3/4, GR5	12
15	1-861-010034-10	WASHER, LKG 5/16	12
16	1-512-010007-06	NUT, HEX 5/16-18	12
17	7J140	SCREW, 1/4-20 X 1/2 (FLANGED)	48
18	108417	NUT SPIRAL 1/4-20HX FG	48
19	9J353	DRAWBAR	1
20	4J867	JACK	1
21	4K636	HITCH	1
22	W908409-4	SCR 3/4-10 X 6 HEX HD CAP	2
23	1-512-010005-15	NUT, LOCK 3/4-10, GRB, ZP	3
24	1-512-010007-11	NUT, HEX 5/8-11 GR2, ZP	9
25	1-861-010034-15	WASHER, LKG, HLCL SPR, 5/8	9
26	7J990	U-BOLT, 5/8-11 X 6-11/16 X 5-1/2, ZP	4
27	1-654-010059-03	SCREW, 5/8-11UNC X 1-1/2 HXCP, G5	1
28	8K885	HOSE HOLDER	1
29	8K664	HOLDER, 7-PIN AG CONNECTOR	1
30	105-0093	HOSE CLAMP 4-1/2 IDEAL #5264	1
31	1-116-010019	MANUAL STORAGE CANISTER	1
32	1-654-010061-06	SCREW, HXCP, 3/4-10UNC X 2-1/4, GR5	1
33	1-861-010032-20	WASHER, FLAT 3/4 N, ZP/CD	3
34	141433	SAFETY, CHAIN 11,000 LB	1
35	1-654-010051-06	SCREW, HEX CAP 3/8-16UNC X 1-1/4	4
36	1-654-010055-03	SCREW, HEX CAP, 1/2-13UNC X 1-1/2	1
37	5K970	RH SUPPORT	1
38	6K937	CENTER BRACKET	1
39	5K238	MOUNTING PLATE (BEFORE 01/2020)	1
40	199554	REAR DEFLECTOR, LH SSB/SLB212	1
41	199555	REAR DEFLECTOR, RH SSB/SLB212	1

3-PT Frame, Deflectors, Seed Box Mounts - 8FT,10FT,12FT (AFT. 01/26)

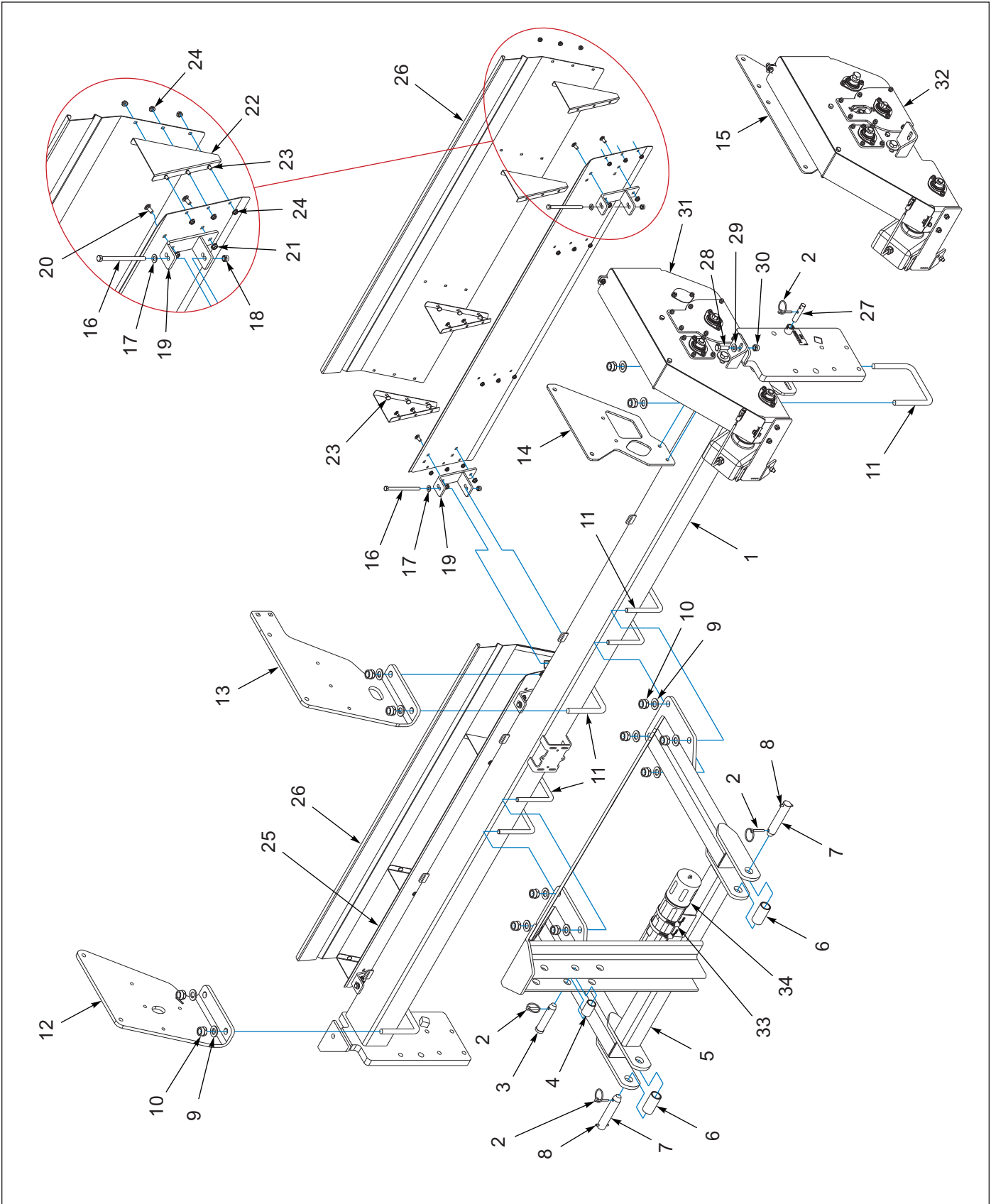


Figure 1-9: 3-PT Frame, Deflectors, Seed Box Mounts - 8FT, 10FT, 12FT (AFTER 01/26)

3-PT Frame, Deflectors, Seed Box Mounts - 8FT,10FT,12FT (AFT. 01/26)

ITEM	PART NUMBER	DESCRIPTION	QTY		
			8'	10'	12'
		MODELS	8'	10'	12'
1	6K647	8' PICK UP SEEDER FRAME	1	--	--
1	6K646	10' PICK UP SEEDER FRAME (SHOWN)	--	1	--
1	250128	FRAME-THREE POINT,SLP2121,WELD	--	--	1
2	1-557-010327	PIN LYNCH 1/4 X 1-1/4	4	4	4
3	6D529	CLEVIS PIN, 1.0 X 4.5	1	1	1
4	5D157	SLEEVE (1.03 X 1.25 X 1.938)	1	1	1
5	247496	HITCH-THREE POINT, WELDMENT	1	1	1
6	5D158	SLEEVE (1.156 X 1.438 X 2.875)	2	2	1
7	5D156	PIN ASSEMBLY 1-1/8 X 5-3/4 (INCLUDES ITEM 8)	2	2	2
8	1-647-010004221	PIN,SPRING 1/4X2 SLOTTED	2	2	2
9	1-861-010032-20	WASHER, FLAT,3/4 N ZP/CD	14	14	14
10	1-512-010005-15	NUT,HEX,SLFLKG GRB 3/4-10	16	16	16
11	3J450	U-BOLT 3/4-10 X6-13/16X 5-3/4	7	7	7
12	247366	PLATE-SUPPORT, END, WELDMENT	1	1	1
13	247354	PLATE-SUPPORT, CENTER	1	1	1
14	222836	PLATE-MOUNT, HOPPER (SL2 MODELS)	1	1	1
15	224168	MOUNT PLATE (SLB2 MODELS)	1	1	1
16	185216	SCREW, HEX CAP 3/8-16 X 5-1/4, GR5	3	4	6
17	1-861-010032-10	WASHER, FLAT 3/8" N ZP/CD	3	4	6
18	1-512-010005-05	HEX, SLFLKG GRB 3/8-16	3	4	6
19	9J405	DEFLECTOR BRACKET	3	4	6
20	105909	SCREW,RDHD,SQNCX,5/16-18X3/4	6	8	12
21	1-512-010004-03	NUT HX FLANGE, 5/16-18 GR8	6	8	12
22	9D767	END SHIELD	5	8	8
23	247493	SCREW, RDHD SHRT NK, 1/4-20X1/2	30	48	48
24	108417	NUT SPIRAL 1/4-20HX FG	30	48	48
25	9J913	FRONT DEFLECTOR	1	--	--
25	9J408	FRONT DEFLECTOR	--	2	--
25	2K940	DEFLECTOR-FRONT, 6	--	--	2
26	5K309	REAR DEFLECTOR - SS/SL208/308	1	--	--
26	5K308	REAR DEFLECTOR - SS/SL210	--	2	--
26	5K307	REAR DEFLECTOR - SS/SL212	--	--	2
27	6K649	PIN (5/8 X 2-15/16)	1	1	1
28	1-654-010055-03	SCREW, HEX CAP, 1/2-13UNC X 1-1/2	1	1	1
29	1-861-010032-14	WASHER, FLAT 1/2" N ZP/CD	1	1	1
30	1-512-010005-09	NUT,HEX,SLFLKG, 1/2-13	1	1	1
31	224166	TRANSMISSION ASM, SL2 (INCLUDES ITEM 14)	1	1	1
32	224167	TRANSMISSION ASM, SLB2 (INCLUDES ITEM 15)	1	1	1
33	105-0093	HOSE CLAMP 4-1/2 IDEAL #5264	2	2	2
34	1-116-010019	MANUAL STORAGE CANISTER	1	1	1

3-PT Frame, Deflectors, Seed Box Mounts - 8FT, 10FT (BEF. 01/2026)

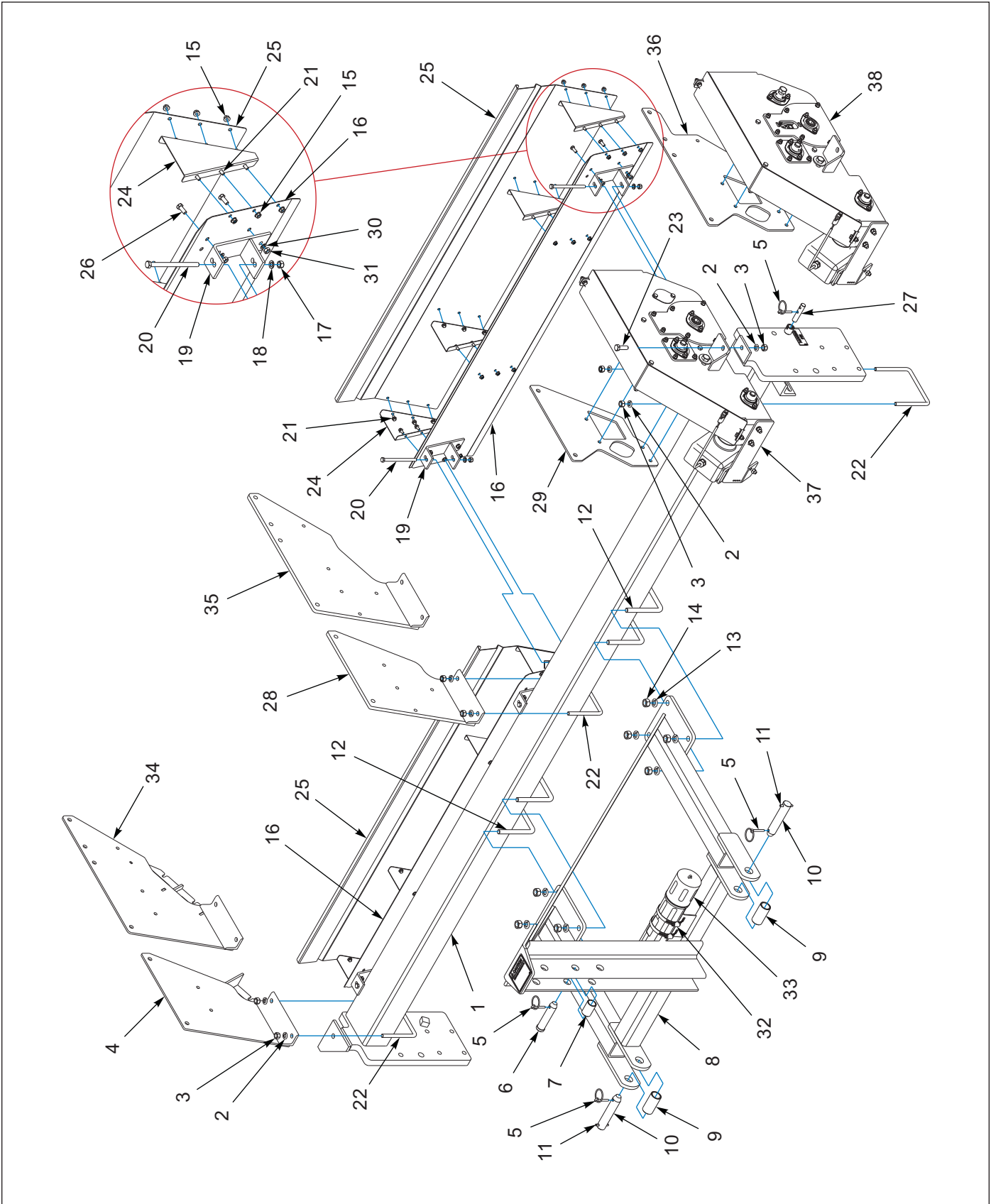


Figure 1-10: 3-PT Frame, Deflectors, Seed Box Mounts - 8FT, 10FT (BEFORE 01/2026)

3-PT Frame, Deflectors, Seed Box Mounts - 8FT, 10FT (BEF. 01/2026)

ITEM	PART NUMBER	DESCRIPTION	QTY	
			8'	10'
		MODELS	8'	10'
1	6K647	8' PICK UP SEEDER FRAME	1	--
1	6K646	10' PICK UP SEEDER FRAME	--	1
2	1-861-010034-13	WASHER, LKG HLCL SPR, 1/2	7	7
3	1-512-010007-09	NUT, HEX 1/2-13, ZP	7	7
4	5K972	RH SUPPORT	1	1
5	1-557-010327	PIN LYNCH 1/4 X 1-1/4	4	4
6	6D529	CLEVIS PIN, 1.0 X 4.5	1	1
7	5D157	SLEEVE (1.03 X 1.25 X 1.938)	1	1
8	9J442	THREE POINT HITCH	1	1
9	5D158	SLEEVE (1.156 X 1.438 X 2.875)	2	2
10	5D156	PIN ASSEMBLY 1-1/8 X 5-3/4 (INCLUDES ITEM 11)	2	2
11	2D894	ROLL PIN 1/4 X 2 PLATED	2	2
12	7J990	U-BOLT, 5/8-11 X 5-1/2 X 6-11/16	4	4
13	1-861-010034-15	WASHER, LKG, HLCL SPR, 5/8	8	8
14	1-512-010007-11	NUT, HEX 5/8-11 GR2, ZP	8	8
15	108417	NUT SPIRAL 1/4-20HX FG	30	48
16	9J913	FRONT DEFLECTOR	1	--
16	9J408	FRONT DEFLECTOR	--	2
17	1-512-010007-07	NUT, HEX 3/8-16, ZP	3	4
18	1-861-010034-11	WASHER, LKG HLCL SPR, 3/8	3	4
19	9J405	DEFLECTOR BRACKET	3	4
20	185216	SCREW, HEX CAP 3/8-16 X 5-1/4, GR5	3	4
21	7J140	SCREW, 1/4-20 X 1/2 (FLANGED)	30	48
22	4J918	U-BOLT, 1/2 X 5-1/4 X 6-1/16	3	3
23	1-654-010055-03	SCREW, HEX CAP, 1/2-13UNC X 1-1/2	2	2
24	9D767	END SHIELD	5	8
25	5K309	REAR DEFLECTOR - SS/SL208/308	1	--
25	5K308	REAR DEFLECTOR - SS/SL210	--	2
26	1-654-010049-03	SCREW, HX CP 5/16-18UNC X 3/4, GR5	6	8
27	6K649	PIN (5/8 X 2 15/16)	1	1
28	5K243	CENTER BRACKET	1	1
29	222836	MOUNT PLATE (AFTER 01/2020)	1	1
29	5K244	MOUNTING PLATE (BEFORE 01/2020)	1	1
30	1-861-010034-10	WASHER, LKG 5/16	6	8
31	1-512-010007-06	NUT, HEX 5/16-18	6	8
32	105-0093	HOSE CLAMP 4-1/2 IDEAL #5264	2	2
33	1-116-010019	MANUAL STORAGE CANISTER	1	1
34	5K970	RH SUPPORT	1	1
35	6K859	CENTER BRACKET	1	1
36	224168	MOUNT PLATE (AFTER 01/2020)	1	1
36	5K238	MOUNTING PLATE (BEFORE 01/2020)	1	1
37	224166	TRANSMISSION ASM, SL2 (INCLUDES ITEM 29)	1	1
38	224167	TRANSMISSION ASM, SLB2 (INCLUDES ITEM 36)	1	1

3-PT Frame, Deflectors, Seed Box Mounts - 12FT (08/2025 TO 01/2026)

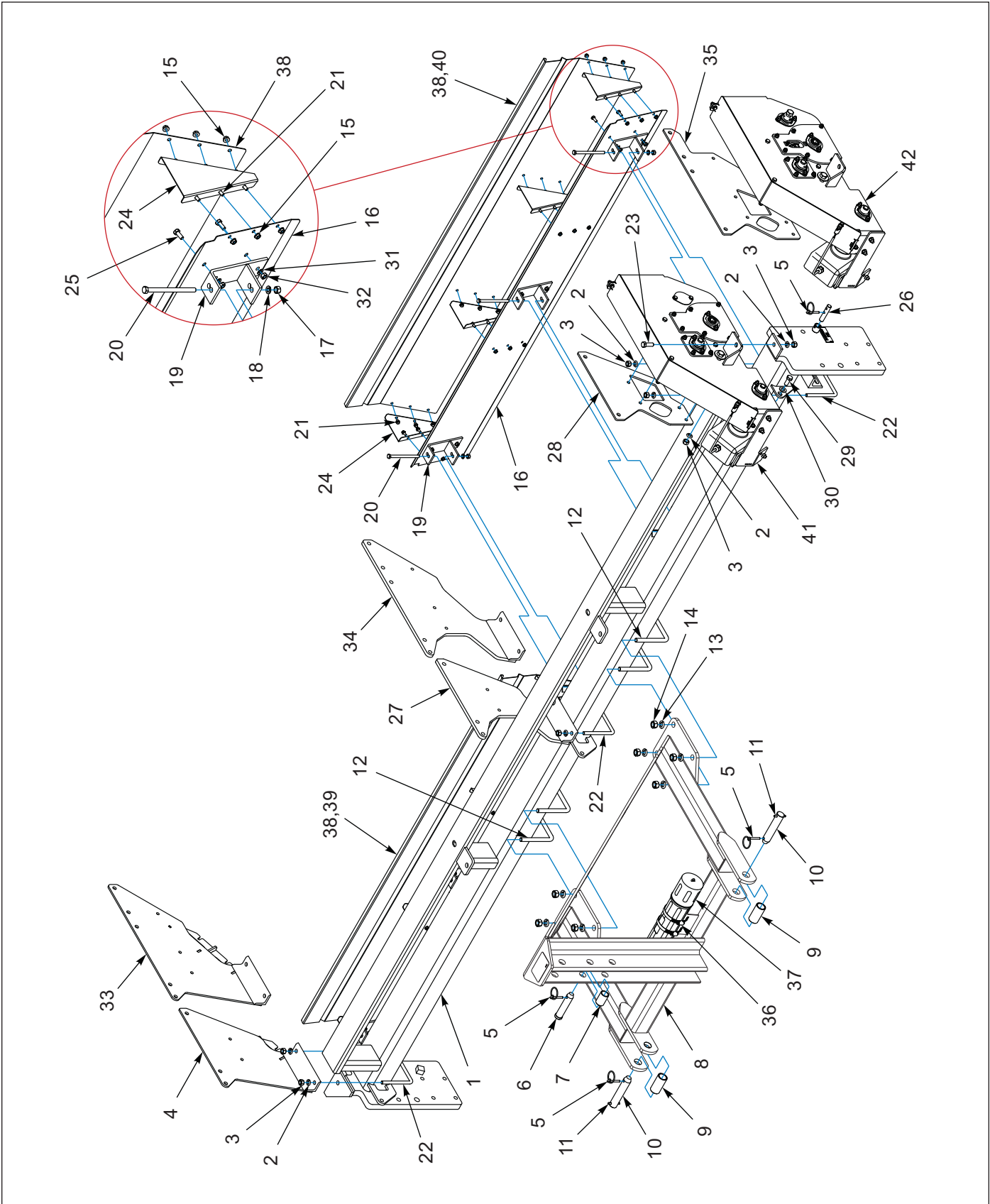


Figure 1-11: 3-PT Frame, Deflectors, Seed Box Mounts - 12FT (08/2025 TO 01/2026)

3-PT Frame, Deflectors, Seed Box Mounts - 12FT (08/2025 TO 01/2026)

ITEM	PART NUMBER	DESCRIPTION	QTY
1	9K736	FRAME, 3-POINT 12'	1
2	1-861-010034-13	WASHER, LKG HLCL SPR, 1/2	8
3	1-512-010007-09	NUT, HEX 1/2-13, ZP	8
4	170008	MOUNT, RH SEEDBOX WELDMENT	1
5	1-557-010327	PIN LYNCH 1/4 X 1-1/4	4
6	6D529	CLEVIS PIN, 1.0 X 4.5	1
7	5D157	SLEEVE (1.031 X 1.25 X 1.938)	1
8	9J442	THREE POINT HITCH	1
9	5D158	SLEEVE (1.156 X 1.438 X .875)	2
10	5D156	PIN ASSEMBLY 1-1/8 X 5-3/4 (INCLUDES ITEM 11)	2
11	2D894	ROLL PIN 1/4 X 2 PLATED	2
12	7J990	U-BOLT, 5/8-11 X 5-1/2 X 6-11/16	4
13	1-861-010034-15	WASHER, LKG, HLCL SPR, 5/8	8
14	1-512-010007-11	NUT, HEX 5/8-11 GR2, ZP	8
15	108417	NUT SPIRAL 1/4-20HX FG	48
16	2K940	FRONT DEFLECTOR	2
17	1-512-010007-07	NUT, HEX 3/8-16, ZP	6
18	1-861-010034-11	WASHER, LKG HLCL SPR, 3/8	6
19	9J405	DEFLECTOR BRACKET	6
20	185216	SCREW, HEX CAP 3/8-16 X 5-1/4, GR5	6
21	7J140	SCREW, 1/4-20 X 1/2 (FLANGED)	48
22	4J918	U-BOLT, 1/2 X 5-1/4 X 6-1/16	3
23	1-654-010055-03	SCREW, HEX CAP, 1/2-13UNC X 1-1/2	1
24	9D767	END SHIELD	8
25	1-654-010049-03	SCREW, HX CP 5/16-18UNC X 3/4, GR5	12
26	6K649	PIN (5/8 X 2 15/16)	1
27	6K939	CENTER BRACKET	1
28	222836	MOUNTING PLATE (AFTER 01/2020)	1
28	5K244	MOUNTING PLATE (BEFORE 01/2020)	1
29	1-654-010055-02	SCREW, HX CP 1/2-13 X 1-1/4, GR8	1
30	1-861-010032-14	WASHER FLAT 1/2" N ZP/CD	1
31	1-861-010034-10	WASHER, LKG 5/16	12
32	1-512-010007-06	NUT, HEX 5/16-18	12
33	180642	BRACKET, DOUBLE BOX RH WLD	1
34	6K937	CENTER BRACKET	1
35	224168	MOUNTING PLATE (AFTER 01/2020)	1
35	5K238	MOUNTING PLATE (BEFORE 01/2020)	1
36	105-0093	HOSE CLAMP 4-1/2 IDEAL #5264	2
37	1-116-010019	MANUAL STORAGE CANISTER	1
38	5K307	REAR DEFLECTOR - SS/SL212	2
39	199555	REAR DEFLECTOR, RH, SSB/SLB212 (USED W/ 185944 SENSOR)	1
39	234196	REAR DEFLECTOR, RH SLB212 (USED W/ 174419 SENSOR)	1
40	199554	REAR DEFLECTOR, LH, SSB/SLB212 (USED W/ 185944 SENSOR)	1
41	224166	TRANSMISSION ASM, SL2 (INCLUDES ITEMS 28)	1
42	224167	TRANSMISSION ASM, SLB2 (INCLUDES ITEMS 35)	1

3-PT Frame, Deflectors, Seed Box Mounts - 12FT (03/2012 TO 08/2025)

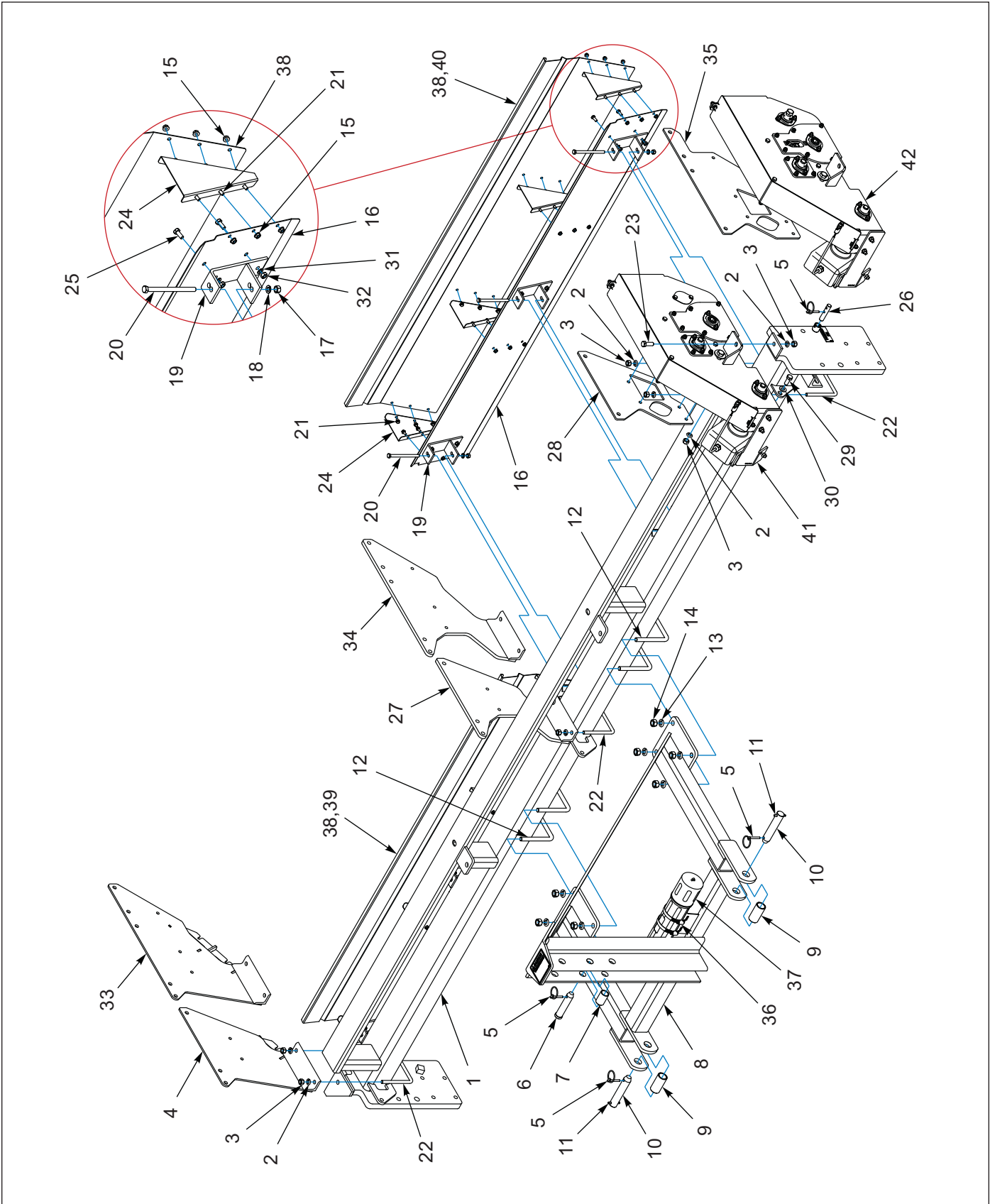


Figure 1-12: 3-PT Frame, Deflectors, Seed Box Mounts - 12FT (03/2012 TO 08/2025)

3-PT Frame, Deflectors, Seed Box Mounts - 12FT (03/2012 TO 08/2025)

ITEM	PART NUMBER	DESCRIPTION	QTY
1	9K736	FRAME, 3-POINT 12'	1
2	1-861-010034-13	WASHER, LKG HLCL SPR, 1/2	8
3	1-512-010007-09	NUT, HEX 1/2-13, ZP	8
4	170008	MOUNT, RH SEEDBOX WELDMNT	1
5	1-557-010327	PIN LYNCH 1/4 X 1-1/4	4
6	6D529	CLEVIS PIN, 1.0 X 4.5	1
7	5D157	SLEEVE (1.031 X 1.25 X 1.938)	1
8	9J442	THREE POINT HITCH	1
9	5D158	SLEEVE (1.156 X 1.438 X .875)	2
10	5D156	PIN ASSEMBLY 1-1/8 X 5-3/4 (INCLUDES ITEM 11)	2
11	2D894	ROLL PIN 1/4 X 2 PLATED	2
12	7J990	U-BOLT, 5/8-11 X 5-1/2 X 6-11/16	4
13	1-861-010034-15	WASHER, LKG, HLCL SPR, 5/8	8
14	1-512-010007-11	NUT, HEX 5/8-11 GR2, ZP	8
15	108417	NUT SPIRAL 1/4-20HX FG	48
16	2K940	FRONT DEFLECTOR	2
17	1-512-010007-07	NUT, HEX 3/8-16, ZP	6
18	1-861-010034-11	WASHER, LKG HLCL SPR, 3/8	6
19	9J405	DEFLECTOR BRACKET	6
20	185216	SCREW, HEX CAP 3/8-16 X 5-1/4, GR5	6
21	7J140	SCREW, 1/4-20 X 1/2 (FLANGED)	48
22	4J918	U-BOLT, 1/2 X 5-1/4 X 6-1/16	3
23	1-654-010055-03	SCREW, HEX CAP, 1/2-13UNC X 1-1/2	1
24	9D767	END SHIELD	8
25	1-654-010049-03	SCREW, HX CP 5/16-18UNC X 3/4, GR5	12
26	6K649	PIN (5/8 X 2 15/16)	1
27	6K939	CENTER BRACKET	1
28	222836	MOUNTING PLATE (AFTER 01/2020)	1
28	5K244	MOUNTING PLATE (BEFORE 01/2020)	1
29	1-654-010055-02	SCREW, HX CP 1/2-13 X 1-1/4, GR8	1
30	1-861-010032-14	WASHER FLAT 1/2" N ZP/CD	1
31	1-861-010034-10	WASHER, LKG 5/16	12
32	1-512-010007-06	NUT, HEX 5/16-18	12
33	180642	BRACKET, DOUBLE BOX RH WLD	1
34	6K937	CENTER BRACKET	1
35	224168	MOUNTING PLATE (AFTER 01/2020)	1
35	5K238	MOUNTING PLATE (BEFORE 01/2020)	1
36	105-0093	HOSE CLAMP 4-1/2 IDEAL #5264	2
37	1-116-010019	MANUAL STORAGE CANISTER	1
38	5K307	REAR DEFLECTOR - SS/SL212	2
39	199555	REAR DEFLECTOR, RH, SSB/SLB212 (USED W/ 185944 SENSOR)	1
39	234196	REAR DEFLECTOR, RH SLB212 (USED W/ 174419 SENSOR)	1
40	199554	REAR DEFLECTOR, LH, SSB/SLB212 (USED W/ 185944 SENSOR)	1
41	224166	TRANSMISSION ASM, SL2 (INCLUDES ITEMS 28)	1
42	224167	TRANSMISSION ASM, SLB2 (INCLUDES ITEMS 35)	1

3-PT Frame, Deflectors, Seed Box Mounts - 12FT (BEF. 03/2012)

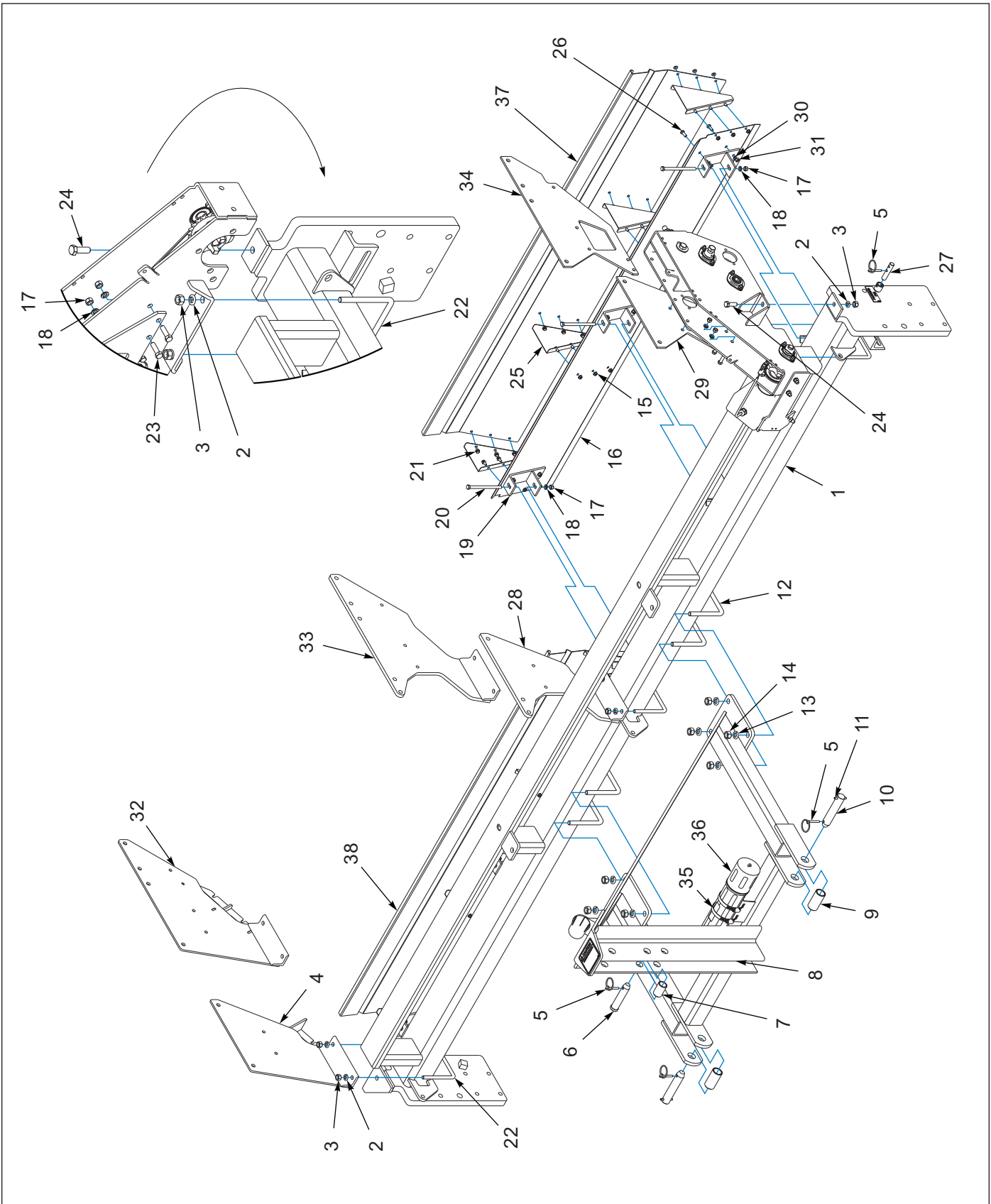


Figure 1-13: 3-PT Hitch - Frame, Deflectors, Seed Box Mounts - 12FT (BEFORE 03/2012)

3-PT Frame, Deflectors, Seed Box Mounts - 12FT (BEF. 03/2012)

ITEM	PART NUMBER	DESCRIPTION	QTY
1	9K736	FRAME, 3-POINT 12'	1
2	1-861-010034-13	WASHER, LKG HLCL SPR, 1/2	7
3	1-512-010007-09	NUT, HEX 1/2-13, ZP	7
4	5K972	RH SUPPORT	1
5	1-557-010327	PIN LYNCH 1/4 X 1-1/4	4
6	6D529	CLEVIS PIN, 1.0 X 4.5	1
7	5D157	SLEEVE	1
8	9J442	THREE POINT HITCH	1
9	5D158	SLEEVE	2
10	5D156	PIN ASSEMBLY 1-1/8 X 5-3/4 (INCLUDES ITEM 11)	2
11	2D894	ROLL PIN 1/4 X 2 PLATED	2
12	7J990	U-BOLT, 5/8-11 X 5-1/2 X 6-11/16	4
13	1-861-010034-15	WASHER, LKG, HLCL SPR, 5/8	8
14	1-512-010007-11	NUT, HEX 5/8-11 GR2, ZP	8
15	108417	NUT SPIRAL 1/4-20HX FG	48
16	2K940	FRONT DEFLECTOR	2
17	1-512-010007-07	NUT, HEX 3/8-16, ZP	8
18	1-861-010034-11	WASHER, LKG HLCL SPR, 3/8	8
19	9J405	DEFLECTOR BRACKET	6
20	185216	SCREW, HEX CAP 3/8-16 X 5-1/4, GR5	6
21	7J140	SCREW, 1/4-20 X 1/2 (FLANGED)	48
22	4J918	U-BOLT, 1/2 X 5-1/4 X 6-1/16	3
23	1-654-010051-06	SCREW, HEX CAP, 3/8-16UNC X 1-1/4	2
24	1-654-010055-03	SCREW, HEX CAP, 1/2-13UNC X 1-1/2	1
25	9D767	END SHIELD	8
26	1-654-010049-03	SCREW, HX CP 5/16-18UNC X 3/4, GR5	12
27	6K649	PIN (5/8 X 2 15/16)	1
28	6K939	CENTER BRACKET	1
29	5K244	MOUNTING PLATE (BEFORE 01/2020)	1
30	1-861-010034-10	WASHER, LKG 5/16	12
31	1-512-010007-06	NUT, HEX 5/16-18	12
32	5K970	RH SUPPORT	1
33	6K937	CENTER BRACKET	1
34	5K238	MOUNTING PLATE (BEFORE 01/2020)	1
35	105-0093	HOSE CLAMP 4-1/2 IDEAL #5264	2
36	1-116-010019	MANUAL STORAGE CANISTER	1
37	199554	REAR DEFLECTOR, LH, SSB/SLB212	1
38	199555	REAR DEFLECTOR, RH, SSB/SLB212	1

Wheel Arm Assembly

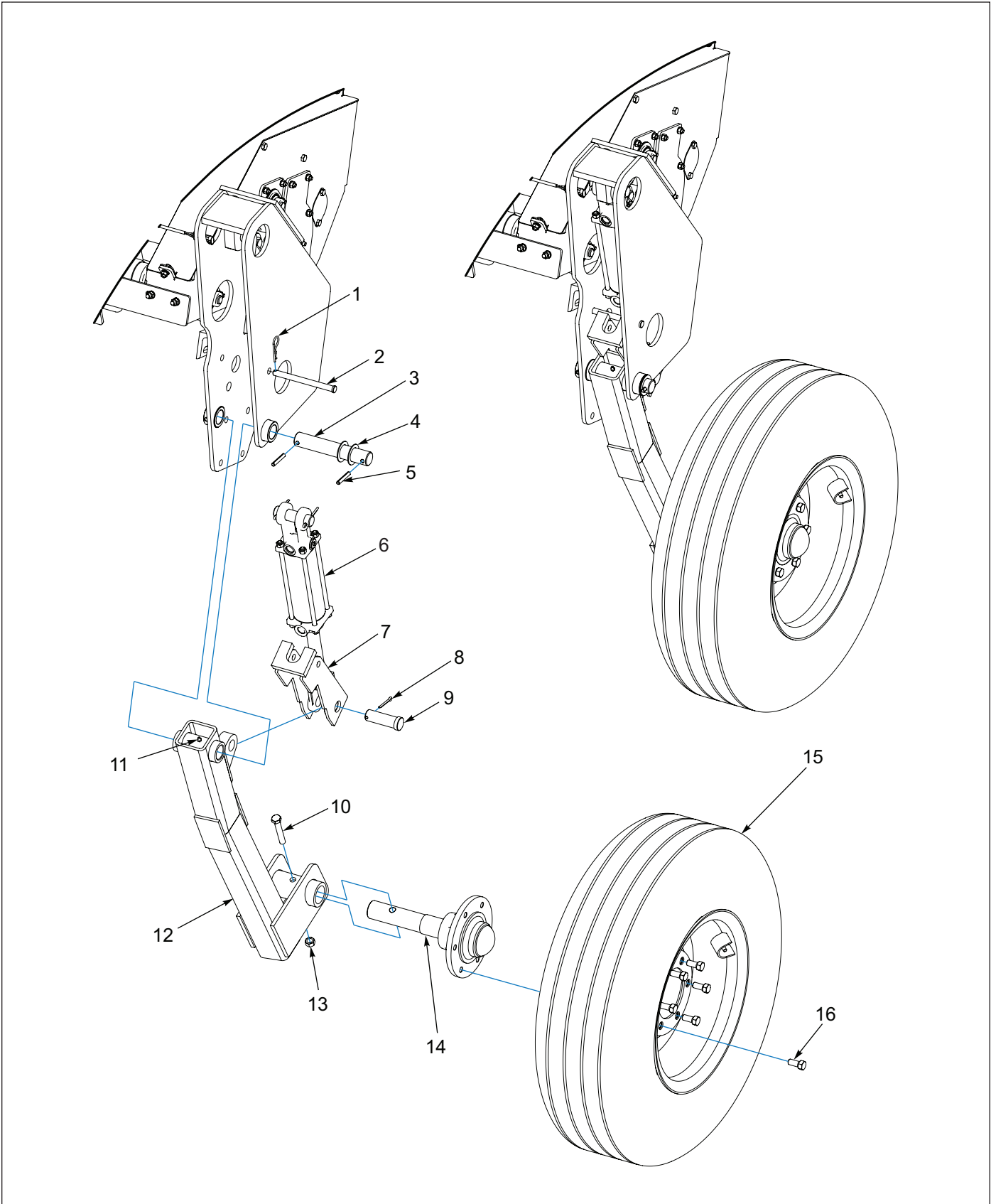


Figure 1-14: Wheel Arm Assembly

Wheel Arm Assembly

ITEM	PART NUMBER	DESCRIPTION	QTY
1	6J448	HAIRPIN COTTER 1/8	2
2	9J437	CLEVIS PIN, 1/2 X 6	2
3	9J400	WHEEL ARM PIN	2
4	4J548	MACH BUSH, 1.25 X 1.875 X 14GA	4
5	170004	PIN, GROOVED ALLOY, 5/16 X 2 (12FT)	4
5	147072	PIN, SPRING SLOTTED 5/16 X 2 (8FT AND 10FT)	4
6	9J440	HYD CYLINDER - 2 1/2 X 6 (SEE PAGE 1-126)	2
7	7J127	CYLINDER LOCKOUT	2
8	1-557-010362-51	PIN COTTER 3/16 X 1-1/2	2
9	2D799	CLEVIS PIN (1.0 X 3.0)	2
10	1-654-010055-09	SCREW, HX CP 1/2-13UNC X 3, GR5	2
11	1-298-010001-1	GREASE FITTING, 1/4-28 TAPER (AFTER 11/15/2011)	2
11	9D923	FITTING, GREASE 1/8 NPT STRAIGHT (BEFORE 11/14/2011)	2
12	5K393	LH WHEEL ARM (INCLUDES ITEM 11)	1
12	5K394	RH WHEEL ARM (NOT SHOWN) (INCLUDES ITEM 11)	1
13	1-512-010005-09	NUT, HEX, SLFLKG, 1/2-13 GRB	2
14	234173	HUB & SPINDLE ASM, 1-5/8, 6BLT (AFTER 05/2021) (SEE PAGE 1-28)	2
14	9J331	HUB & SPINDLE ASM (BEFORE 05/2021) (SEE PAGE 1-29)	2
15	6K919	WHEEL 8J790/NO TUBE/6D312 (6 BOLT) (8FT) (AFTER 05/2021) (9.5L X 15 - 8 PLY) (SEE PAGE 1-30)	2
15	6K921	WHEEL 8J791/NO TUBE/6D312 (6 BOLT) (10FT AND 12FT) (AFTER 05/2021) (11L X 15 - 12 PLY) (SEE PAGE 1-30)	2
15	6K926	WHEEL 8J790/NO TUBE/6J189 (5 BOLT) (8FT) (01/2008 TO 05/2021) (9.5L X 15 - 8 PLY) (SEE PAGE 1-31)	2
15	6K924	WHEEL 8J791/NO YUBE/6J189 (5 BOLT) (10FT AND 12FT) (11L X 15 - 12 PLY) (BEFORE 05/2021) (SEE PAGE 1-31)	2
15	6K911	WHEEL 8J789/NO TUBE/6J189 (5 BOLT) (8FT) (BEFORE 01/03/2008) (7.60 X 15 - 6 PLY) (SEE PAGE 1-31)	2
16	5C100	WHEEL BOLT 1/2-20 X 1 GR5, ZP	12

Hub and Spindle Assembly - 6 Bolt (AFTER 05/2021)

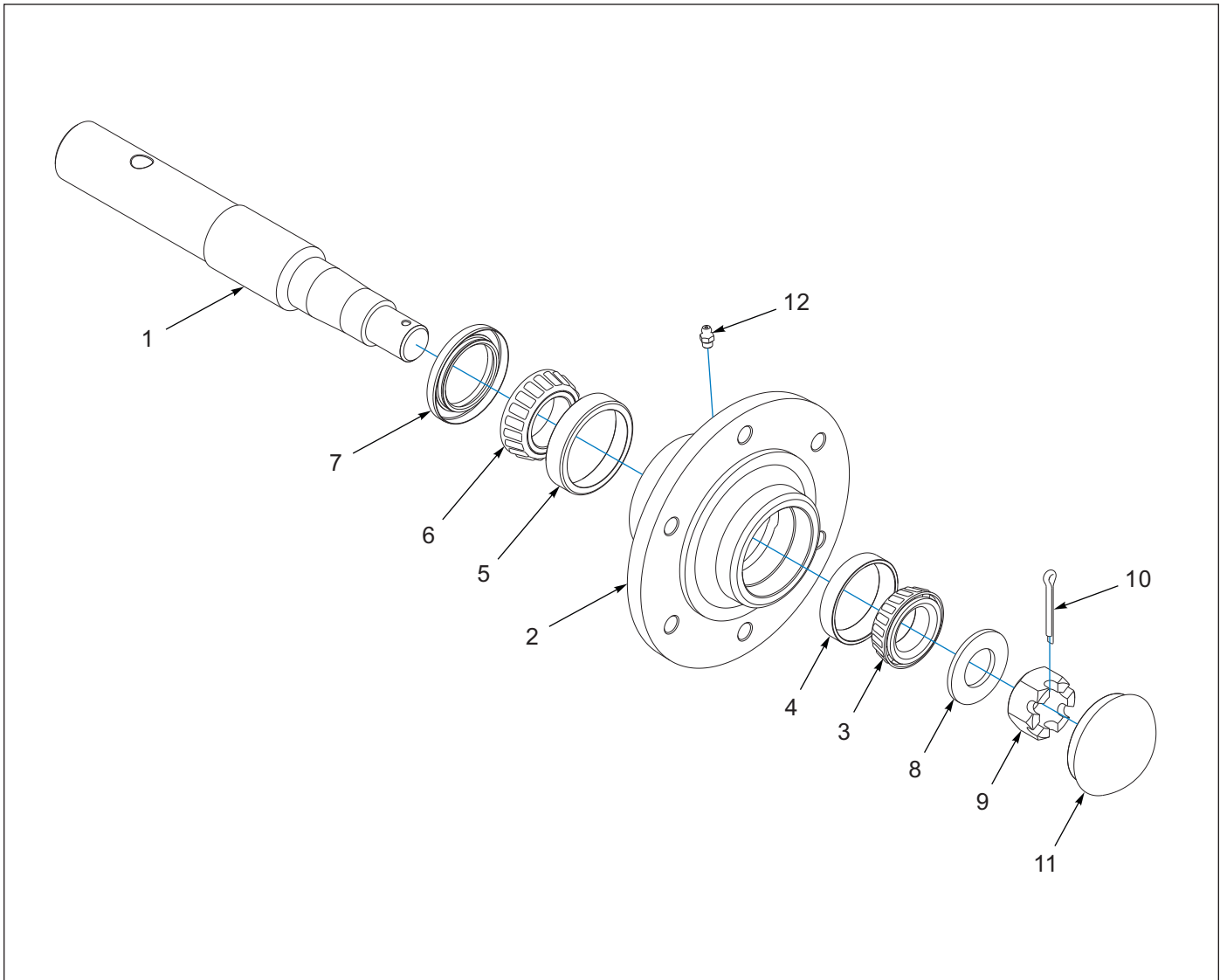


Figure 1-15: Hub and Spindle Assembly - 6 Bolt (AFTER 05/2021)

Hub and Spindle Assembly - 6 Bolt (AFTER 05/2021)

ITEM	PART NUMBER	DESCRIPTION	QTY
	234173	HUB & SPINDLE ASM,1-5/8,6BLT	1
1	234174	SPINDLE,1-5/8 STEPPED	1
2	6D336	WHEEL HUB - 6 BOLT (7002537)	1
3	1-076-010007	CONE INNER	1
4	1-076-010010	CUP INNER	1
5	2107649	BEARING,CUP,1.375X2.563X.71	1
6	712099	BEARING,CONE,1.375X2.563X.71	1
7	6D338	SEAL	1
8	1-861-010032-24	WASHER FL 1IN NARROW ZP	1
9	1-516-010001-20	NUT, HX SLOT 1-14	1
10	1-557-010362-51	PIN, COTTER 3/16X1-1/2	1
11	1-161-010003	CAP 6BOLT HUB	1
12	1-298-010001-1	ZERK FITTING 1/4 SAE (INCLUDED WITH HUB, ITEM 2)	1

Hub and Spindle Assembly - 5 Bolt (BEFORE 05/2021)

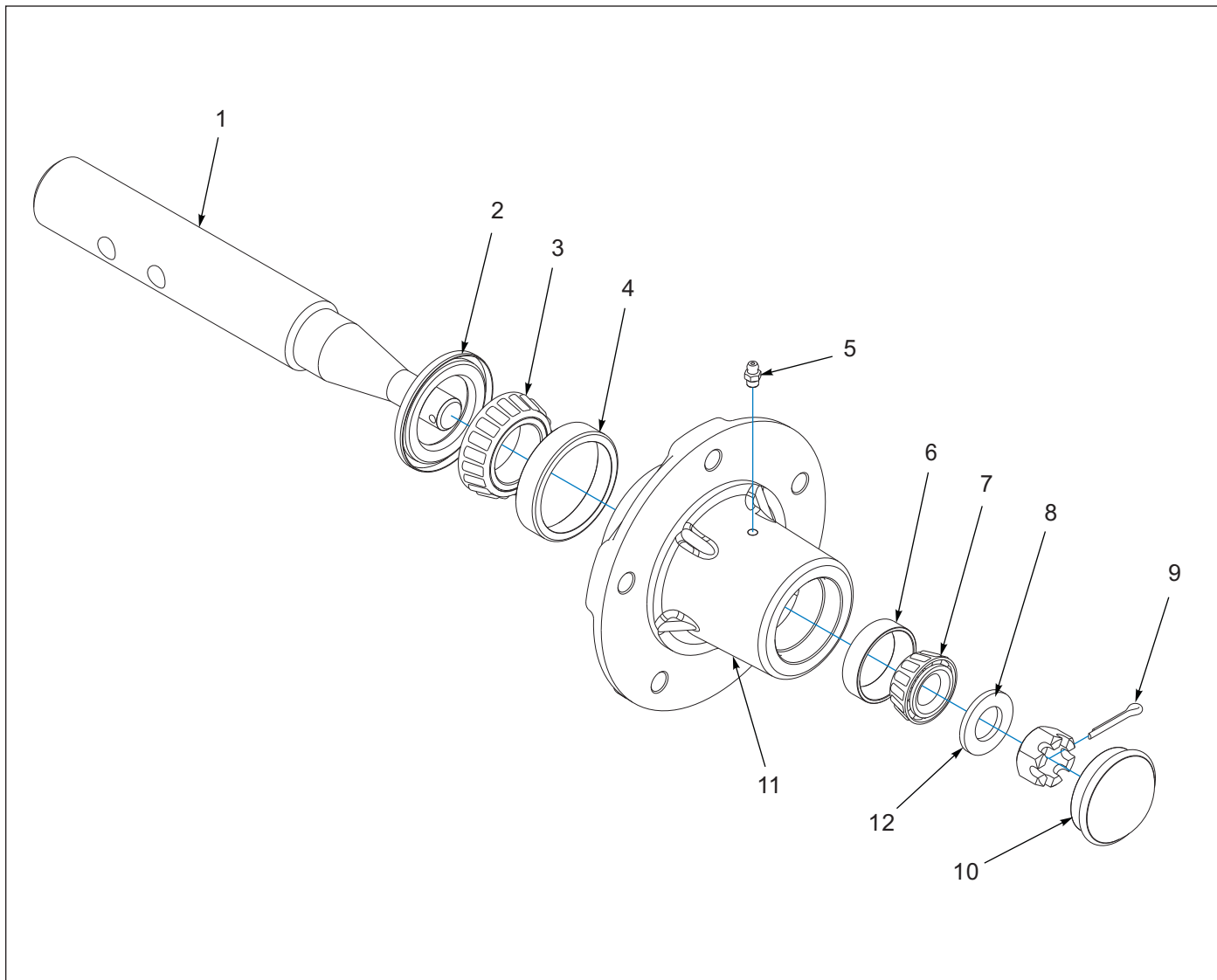


Figure 1-16: Hub and Spindle Assembly - 5 Bolt (BEFORE 05/2021)

Hub and Spindle Assembly - 5 Bolt (BEFORE 05/2021)

ITEM	PART NUMBER	DESCRIPTION	QTY
	9J331	HUB AND SPINDLE ASSEMBLY	1
1	9J330	SPINDLE	1
2	1D273	SEAL	1
3	712099	CONE, BEARING	1
4	2107649	CUP, BEARING	1
5	1-298-010001-1	ZERK FITTING 1/4 SAE	1
6	5C912	CUP, BEARING	1
7	1-076-010008	OUTER CONE 4-BOLT HUB	1
8	3/4-16HSN	HEX SLOTTED NUT	1
9	110-0344	5/32 X 1 COTTER PIN	1
10	1J463	HUB CAP	1
11	1J390	WHEEL HUB - 5 BOLT	1
12	1-861-010032-20	WASHER, FLAT, 3/4 N ZP/CD	1

Tire and Wheel Assembly - 6 Bolt (AFTER 05/2021)

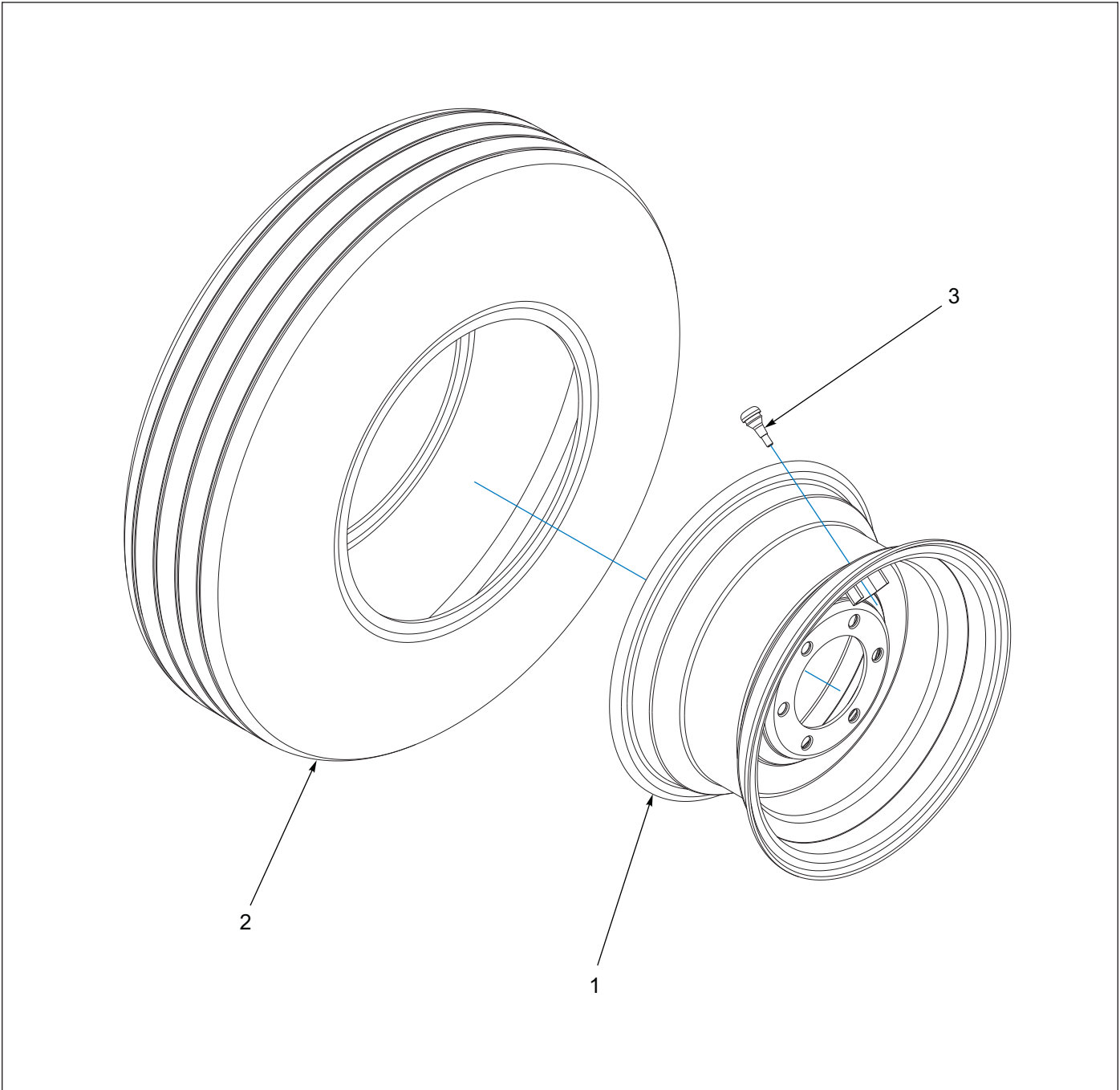


Figure 1-17: Tire and Wheel Assembly - 6 Bolt (AFTER 05/2021)

Tire and Wheel Assembly - 6 Bolt (AFTER 05/2021)

ITEM	PART NUMBER	DESCRIPTION	QTY
	6K919	WHEEL 8J790/NO TUBE/6D312 (8FT)	1
	6K921	WHEEL 8J791/NO TUBE/6D312 (10FT AND 12FT)	1
1	6D312	WHEEL, W/VALVE GUARD	1
2	8J790	TIRE - 9.5L X 15 - 8 PLY (8FT)	1
2	8J791	TIRE - 11L X 15 - 12PLY (10FT AND 12FT)	1
3	8J792	VALVE STEM-TUBELESS	1

Tire and Wheel Assembly - 5 Bolt (BEFORE 05/2021)

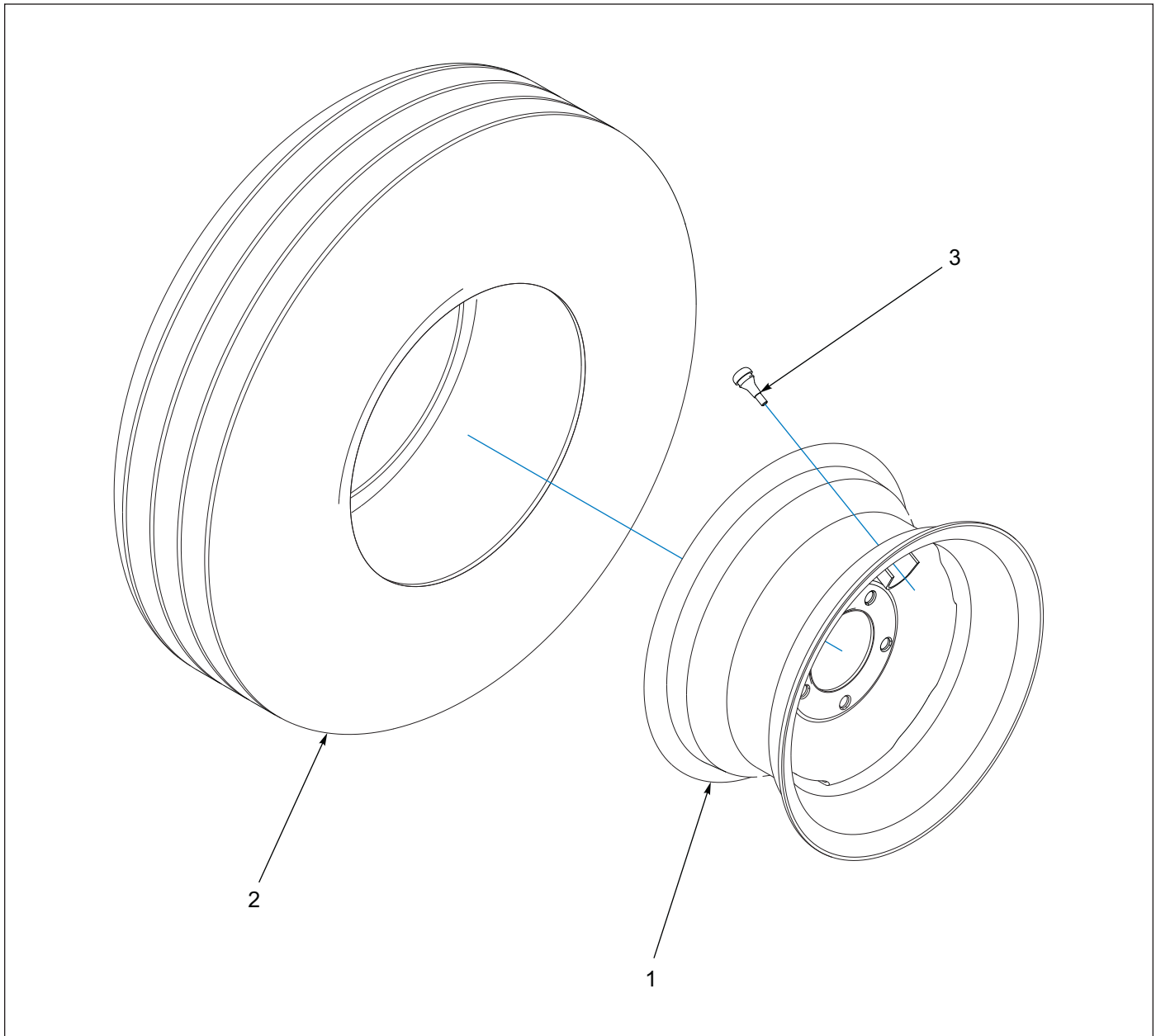


Figure 1-18: Tire and Wheel Assembly - 5 Bolt (BEFORE 05/2021)

Tire and Wheel Assembly - 5 Bolt (BEFORE 05/2021)

ITEM	PART NUMBER	DESCRIPTION	QTY
	6K926	WHEEL 8J790/NO TUBE/6J189 (8FT) (01/2008 TO 05/2021)	1
	6K911	WHEEL 8J789/NO TUBE/6J189 (8FT) (BEFORE 01/03/2008)	1
	6K924	WHEEL 8J791/NO TUBE/6J189 (10FT AND 12FT)	1
1	6J189	WHEEL - 15 X 8LB - 5 BOLT (01/2008 TO 05/2021)	1
1	4C129	WHEEL - 15 X 5KB - 5 BOLT (8FT MODEL) (BEFORE 01/03/2008)	1
2	8J790	TIRE - 9.5L X 15 - 8 PLY (8FT MODEL) (01/2008 TO 05/2021)	1
2	8J789	TIRE - 7.60 X 15 - 6 PLY (8FT MODEL) (BEFORE 01/03/2008)	1
2	8J791	TIRE - 11L X 15 - 12 PLY (10FT AND 12FT MODELS)	1
3	8J792	VALVE STEM-TUBELESS	1

Hydraulic Layout

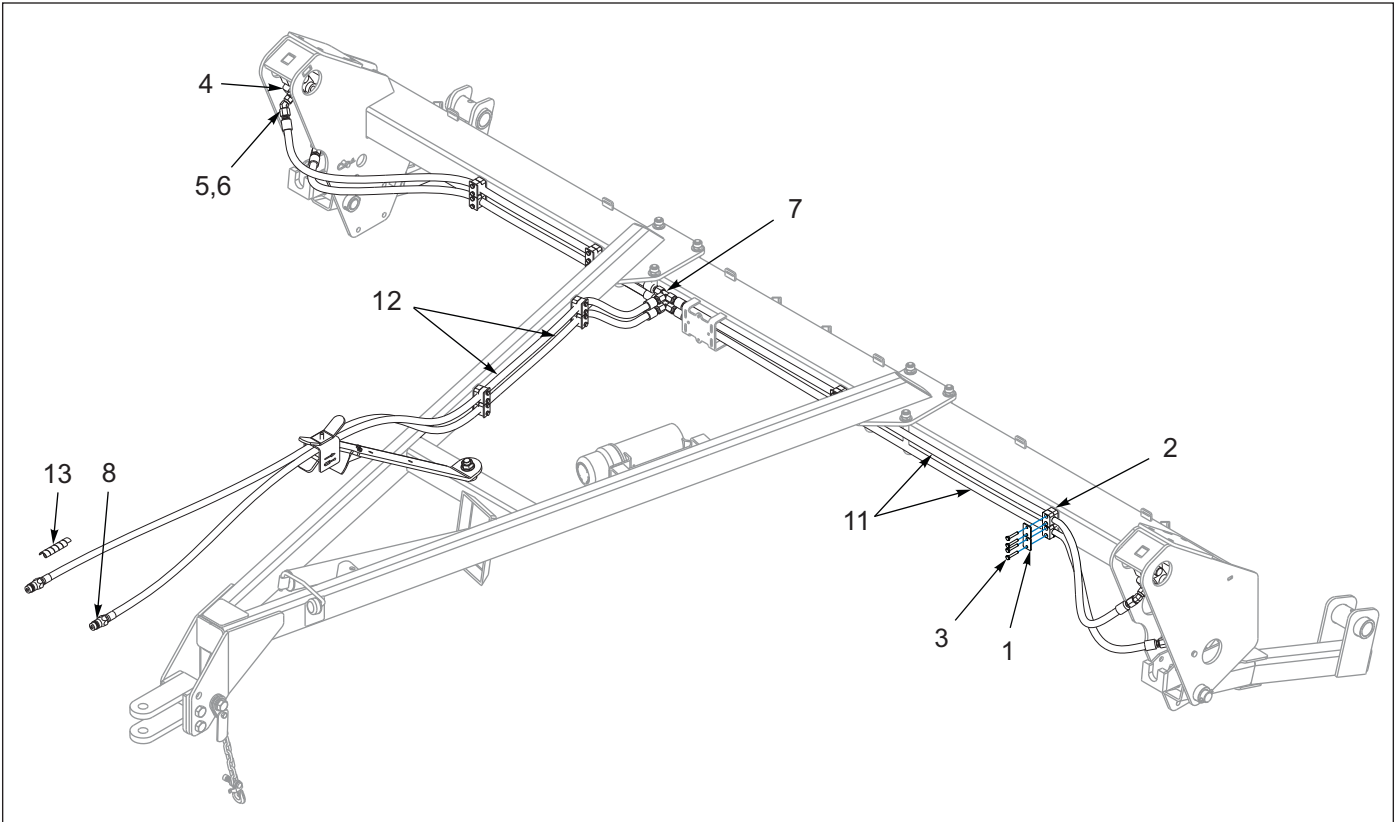


Figure 1-19: Hydraulic Layout - 8FT, 10FT, 12FT (AFTER 01/2026)

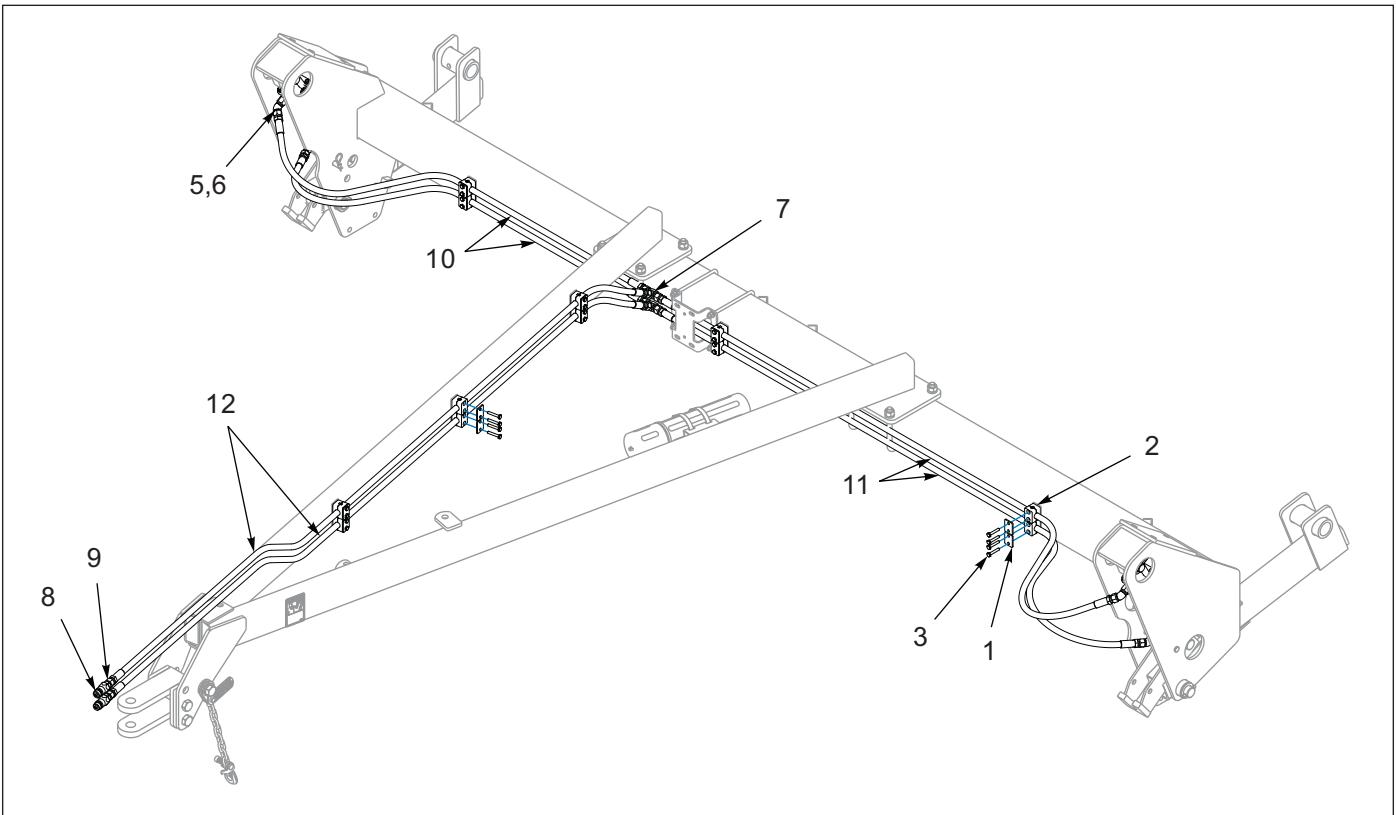


Figure 1-20: Hydraulic Layout - 8FT and 10FT (BEFORE 01/2026)

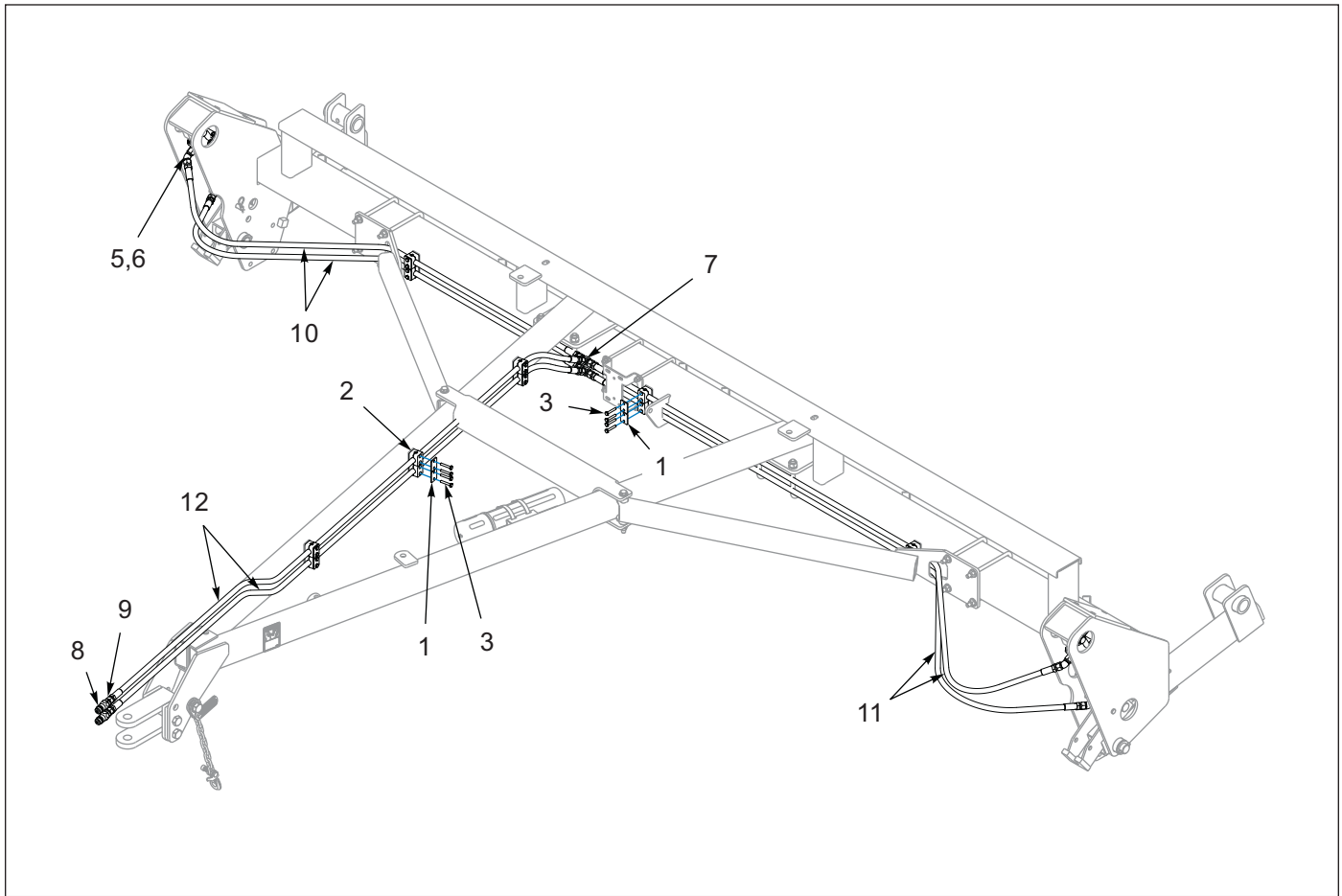


Figure 1-21: Hydraulic Layout - 12FT (BEFORE 01/2026)

Hydraulic Layout

ITEM	PART NUMBER	DESCRIPTION	QTY		
			8'	10'	12'
MODELS			8'	10'	12'
1	4K903	TOP PLATE	12	12	12
2	4K900	.67" DIA. HOSE CLAMP-PAIR	12	12	12
3	1-654-010047-08	SCREW, HX CP, 1/4-20UNC X 1-1/2, G5	24	24	12
4	9J440	HYD CYLINDER - 2-1/2 X 6 DIA (SEE PAGE 1-126)	2	2	2
5	4K607	RESTRICTOR 3/4-16	4	4	4
6	121031	FITTING, 45EL #8M X #8F 37SWVL (ELBOW)	4	4	4
7	2033-8-8S	ADAPTER, TEE, #8 TUBE	2	2	2
8	141828	MALE COUPLER, 08 O-RING	2	2	2
9	202702-8-8S	ADAPTER #8 O-RING TO #8 TUBE (8MJ X 8MOR) (BEFORE 01/2026)	2	2	2
10	71508984	HOSE ASM .38 X 42 (8FJS X 8FJS)	2	--	--
10	116432	HOSE ASM, 3/8 X 60 #8 JIC SWV	--	2	--
10	71508979	HOSE .38 X72 (8FJS X 8FJS)	--	--	2
11	71508987	HOSE ASM 3/8 X 86 (8FJS X 8FJS)	2	--	--
11	116491	HOSE ASM 3/8 X 96 #8 JIC SW	--	2	--
11	139213	HOSE ASM 3/8 X 105, #8 JIC SWIV	--	--	2
12	141886	HOSE ASSY 3/8X135 #8JICX#8OR (AFTER 01/2026)	2	2	2
12	141881	HOSE ASM 3/8 X 136 #8 JIC SWIV (BEFORE 01/2026)	2	2	2
13	155528	HOSE WRAP, BLUE 1" ID X 8" (AFTER 01/2026)	1	1	1

Hydraulic Schematic

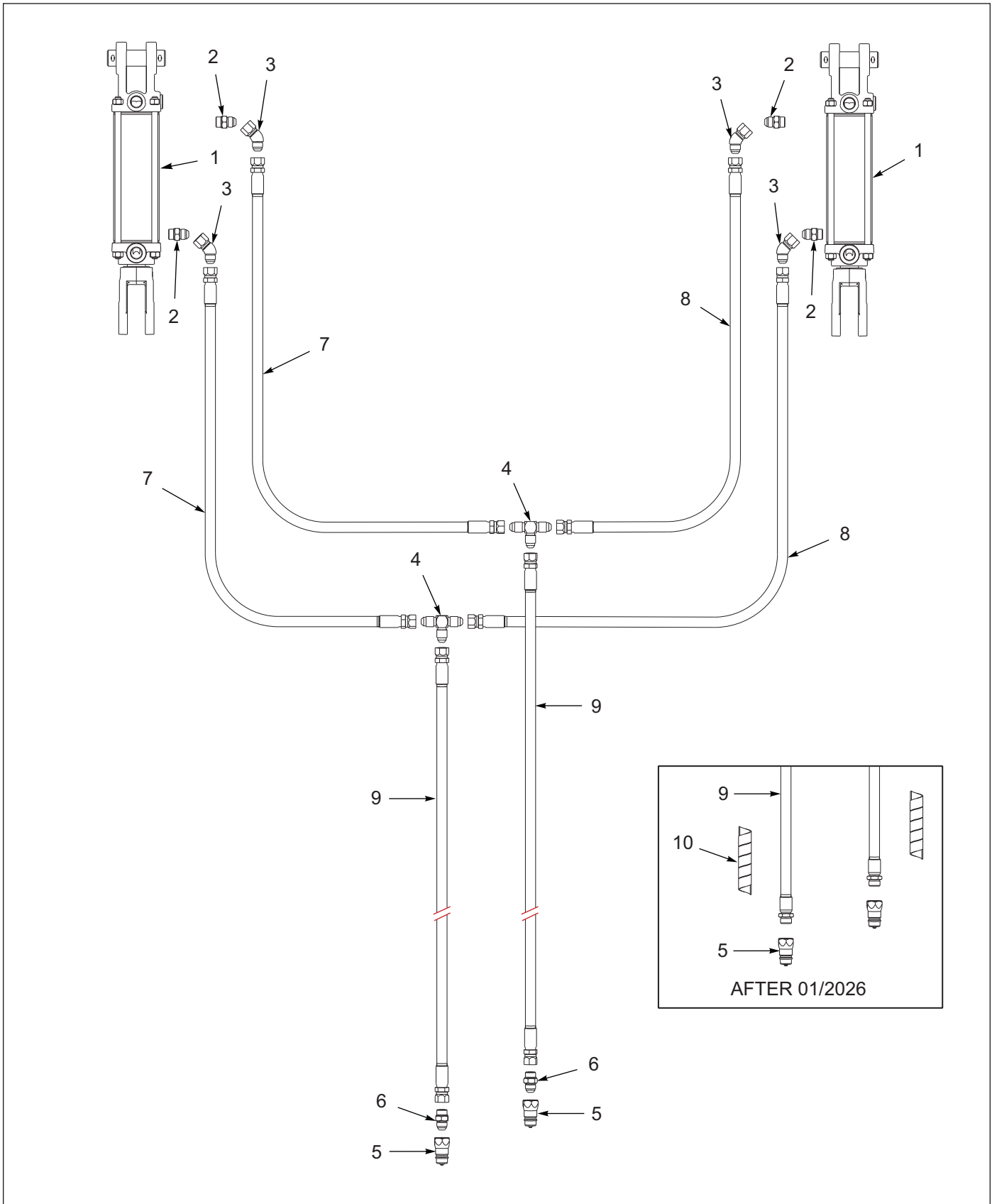


Figure 1-22: Hydraulic Schematic

Hydraulic Schematic

ITEM	PART NUMBER	DESCRIPTION	QTY		
			8'	10'	12'
		MODELS	8'	10'	12'
1	9J440	HYD CYLINDER - 2-1/2 X 6 DIA (SEE PAGE 1-126)	2	2	2
2	4K607	RESTRICTOR 3/4-16	4	4	4
3	121031	ELBOW, 08MJ X 08FJS, 45DEG	4	4	4
4	2033-8-8S	ADAPTER, TEE, #8 TUBE (8MJ)	2	2	2
5	141828	MALE COUPLER, 08 O-RING	2	2	2
6	202702-8-8S	ADAPTER, 08MJ X 08MOR (BEFORE 01/2026)	2	2	2
7	71508984	HOSE .3/8X42 (08FJS X 08FJS)	2	--	--
7	116432	HOSE ASSY, 3/8X60 #8 JIC SWV	--	2	--
7	71508979	HOSE .3/8 X72 (08FJS X 08FJS)	--	--	2
8	71508987	HOSE ASSY 3/8 X 86 (8FJS X 8FJS)	2	--	--
8	116491	HOSE ASM, 3/8X96 #8 JIC SW	--	2	--
8	139213	HOSE ASSY 3/8X105 #8JIC SWIVEL	--	--	2
9	141886	HOSE ASSY 3/8X135 #8JICX#8OR (AFTER 01/2026)	2	2	2
9	141881	HOSE ASSY 3/8X136 #8 JIC SWIV (BEFORE 01/2026)	2	2	2
10	155528	HOSE WRAP, BLUE 1" ID X 8"	2	2	2

Wheel and Axle Assemblies

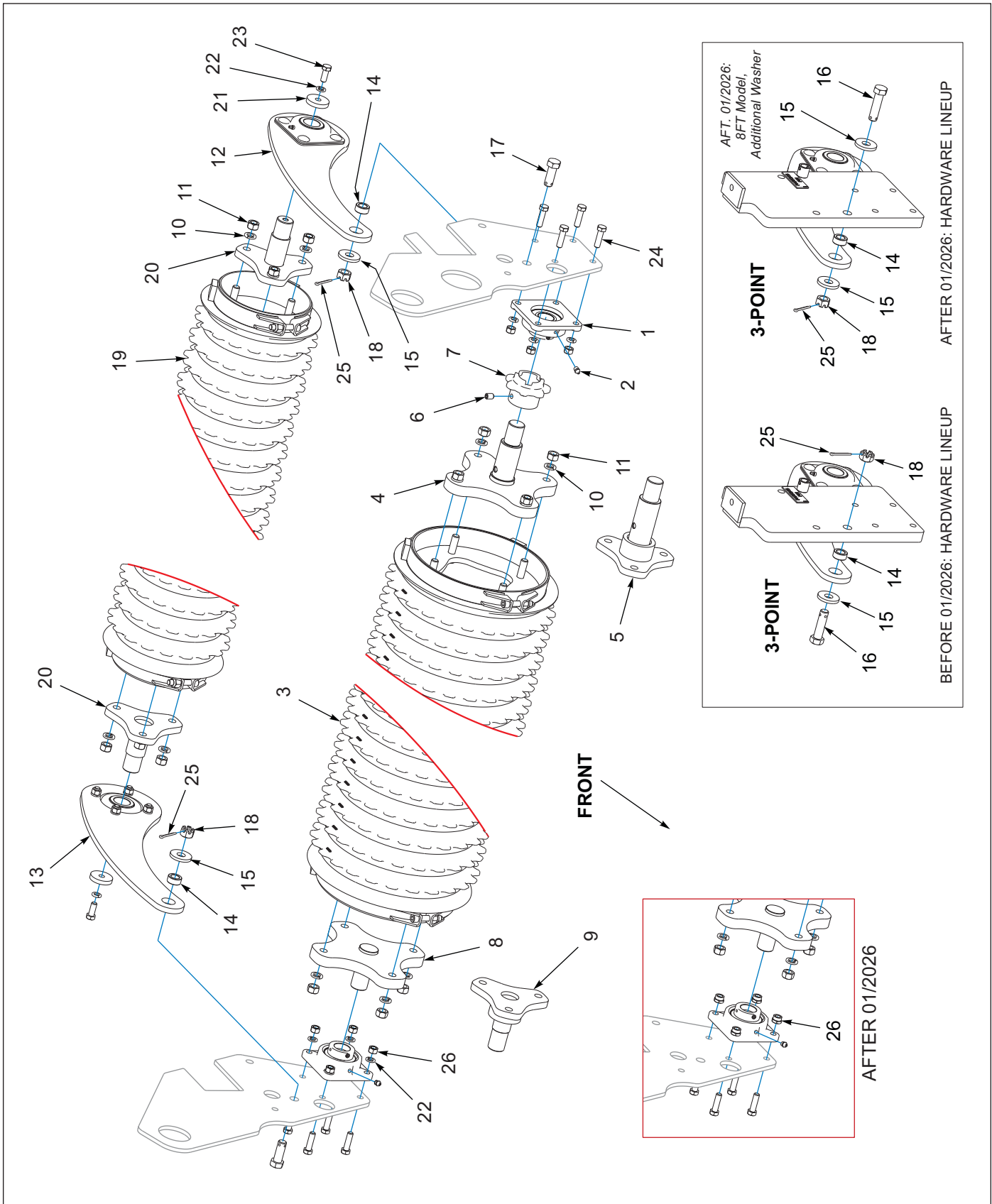


Figure 1-23: Wheel and Axle Assemblies

Wheel and Axle Assemblies

ITEM	PART NUMBER	DESCRIPTION	QTY		
			8'	10'	12'
		MODELS	8'	10'	12'
1	4D645	FLANGE BRG, 1-1/2 BORE, 4 BLT (INCLUDES ITEM 2)	2	2	2
2	1-298-010001-1	ZERK FITTING 1/4 SAE (AFTER 11/15/2011)	2	2	2
2	9D923	GREASE FITTING (1/8 PTF X 11/16) (BEFORE 11/14/2011)	2	2	2
3	9K272	8' FRONT ROLLER ASM, 4 BOLT (SEE PAGE 1-39)	1	--	--
3	9J898	8' FRONT ROLLER ASM (3 BOLT) (SEE PAGE 1-38)	1	--	--
3	9K271	10' FRONT ROLLER ASM, 4 BOLT (SEE PAGE 1-39)	--	1	--
3	9J349	10' FRONT ROLLER ASM (3 BOLT) (SEE PAGE 1-38)	--	1	--
3	9K270	12' FRONT ROLLER ASM, 4 BOLT (SEE PAGE 1-39)	--	--	1
3	2K461	12' FRONT ROLLER ASM (3 BOLT) (SEE PAGE 1-38)	--	--	1
4	9K406	LH STUB SHAFT, 4 BOLT	1	1	1
5	1K470	STUB SHAFT, L.H. (3 BOLT)	1	1	1
6	107-0082	SOCKET HD SET SCR 1/2-13X3/4	1	1	1
7	4C580	AXLE SPROCKET - 7 TOOTH	1	1	1
8	9K265	RH STUB SHAFT, 4 BOLT	1	1	1
9	9J351	STUB SHAFT R.H. (3 BOLT)	1	1	1
10	1-861-010034-15	WASHER, LKG, HLCL SPR, 5/8	14	14	14
11	1-512-010007-11	NUT, HEX 5/8-11 GR2, ZP	14	14	14
12	2K480	LEFT REAR ARM ASSEMBLY (SEE PAGE 1-41)	1	1	1
13	2K481	RIGHT REAR ARM ASSEMBLY (SEE PAGE 1-41)	1	1	1
14	9J399	ROLLER ARM BUSHING	2	2	2
15	191399	WASHER, 0.781 X 2.0 X 2.5	2	2	2
16	193220	BOLT, DRILLED, 3/4-16 X 2-3/4 (3-PT)	2	2	2
17	193219	BOLT, DRILLED 3/4-16 X 2 (DRAWBAR)	2	2	2
18	193218	NUT, HX SLOT 3/4-16 GR5, ZP	2	2	2
19	9J897	8' REAR ROLLER ASSEMBLY (SEE PAGE 1-40)	1	--	--
19	9J336	10' REAR ROLLER ASSEMBLY (SEE PAGE 1-40)	--	1	--
19	2K460	12' REAR ROLLER ASSEMBLY (SEE PAGE 1-40)	--	--	1
20	2K475	RH STUB SHAFT	2	2	2
21	9J338	WASHER (1/2 X 2-1/16 X 3/8, ZP)	2	2	2
22	1-861-010034-13	WASHER, LKG HLCL SPR, 1/2 (BEFORE 01/2026, QTY=10)	2	2	2
23	104665	SCREW, HX CP 1/2-20 X 1-1/4, GR8	2	2	2
24	1-654-010055-04	SCREW, HEX CAP, 1/2-13UNC X 1-3/4 (DRAWBAR)	8	8	8
24	169690	SCREW, HXCP 1/2-13UNC X 2-1/4, GR5 (3-PT)	8	8	8
25	1-557-010362-51	COTTER PIN, 3/16 X 1-1/2	2	2	2
26	1-512-010007-09	NUT, HEX 1/2-13, ZP	8	8	8

Front Roller, 3 - Bolt

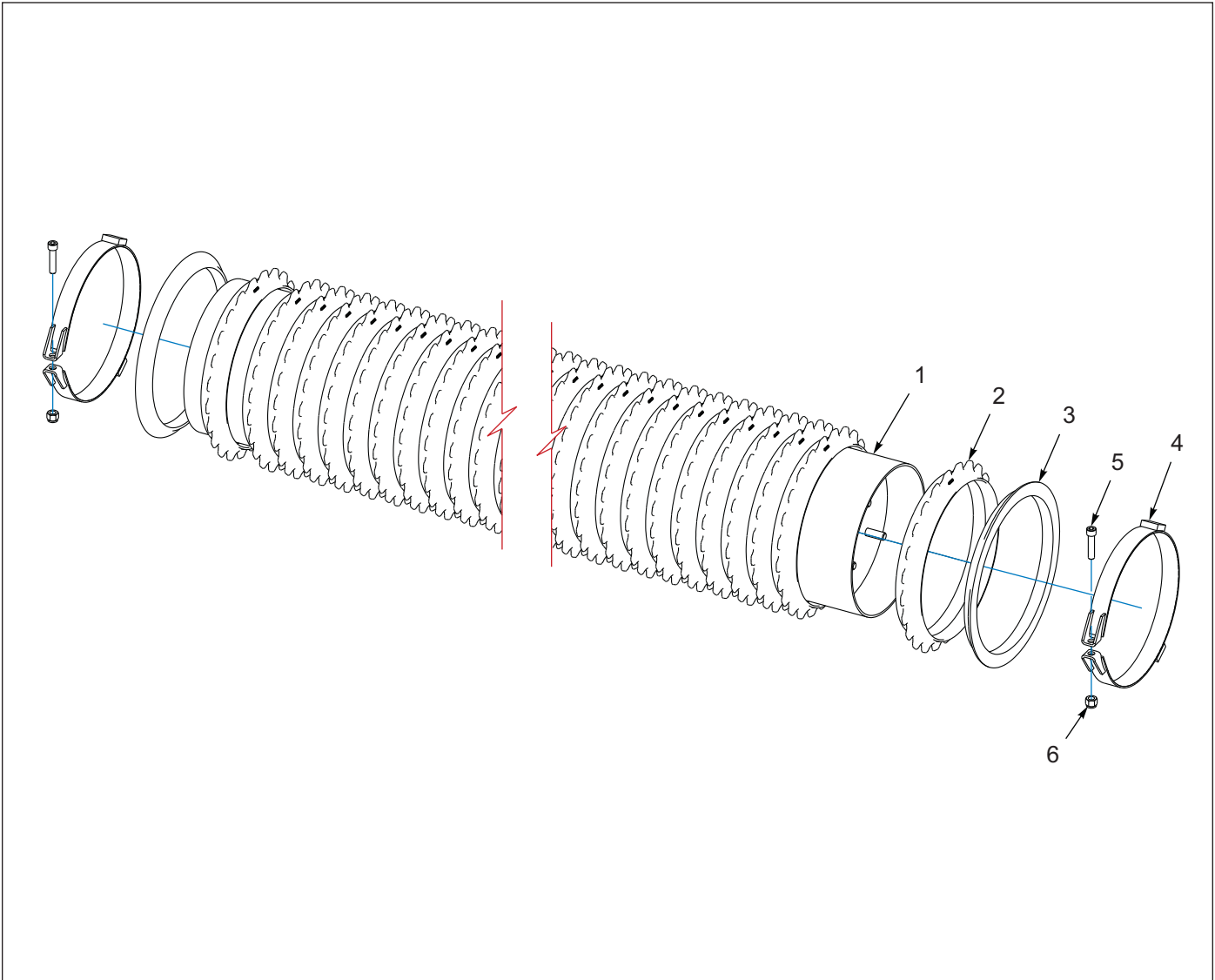


Figure 1-24: Front Roller, 3 - Bolt

Front Roller, 3 - Bolt

ITEM	PART NUMBER	DESCRIPTION	QTY		
			8'	10'	12'
		MODELS	8'	10'	12'
	9J898	8' FRONT ROLLER ASM (3 BOLT)	1	--	--
	9J349	10' FRONT ROLLER ASM (3 BOLT)	--	1	--
	2K461	12' FRONT ROLLER ASM (3 BOLT)	--	--	1
1	9J896	8' PIPE & PLATE WELDMENT (3 BOLT)	1	--	--
1	9J350	10' PIPE & PLATE WELDMENT (3 BOLT)	--	1	--
1	2K454	12' PIPE & PLATE WELDMENT (3 BOLT)	--	--	1
2	4C688	FRONT SAND WHEEL (12-3/4 PIPE)	40	50	61
3	1C968	HALF WHEEL 12 IN.	2	2	2
4	2C802	CLAMP BAND & BOLT ASSEMBLY (INCLUDES ITEMS 5 AND 6)	2	2	2
5	118577	SCREW, HX SKT HD 1/2-13 X 2-1/2 Z	2	2	2
6	2C112	NUT, HX LOCK 1/2-13NC HVY ELSTC	2	2	2

Front Roller, 4 - Bolt

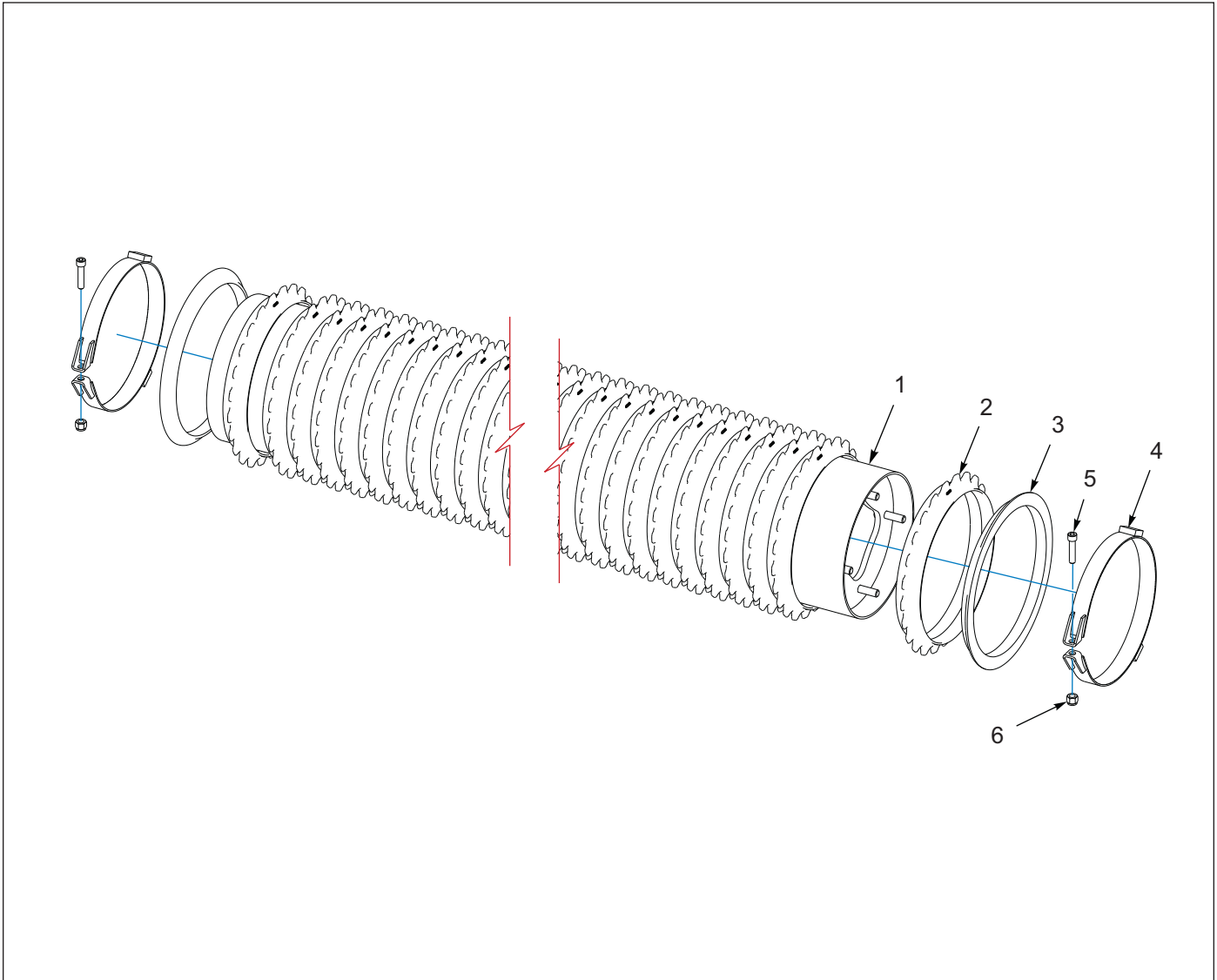


Figure 1-25: Front Roller, 4 - Bolt

Front Roller, 4 - Bolt

ITEM	PART NUMBER	DESCRIPTION	QTY		
			8'	10'	12'
		MODELS	8'	10'	12'
	9K272	8' FRONT ROLLER ASM, 4 BOLT	1	--	--
	9K271	10' FRONT ROLLER ASM, 4 BOLT	--	1	--
	9K270	12' FRONT ROLLER ASM, 4 BOLT	--	--	1
1	9K262	DRUM, 8' WELDMENT, 4 BOLT	1	--	--
1	9K261	DRUM, 10' WELDMENT, 4 BOLT	--	1	--
1	9K260	DRUM, 12' WELDMENT, 4 BOLT	--	--	1
2	4C688	FRONT SAND WHEEL (12-3/4 PIPE)	40	50	61
3	1C968	HALF WHEEL 12 IN.	2	2	2
4	2C802	CLAMP BAND & BOLT ASSEMBLY (INCLUDES ITEMS 5 AND 6)	2	2	2
5	118577	SCREW, HX SKT HD 1/2-13 X 2-1/2 Z	2	2	2
6	2C112	NUT, HX LOCK 1/2-13NC HVY ELSTC	2	2	2

Rear Roller Assembly

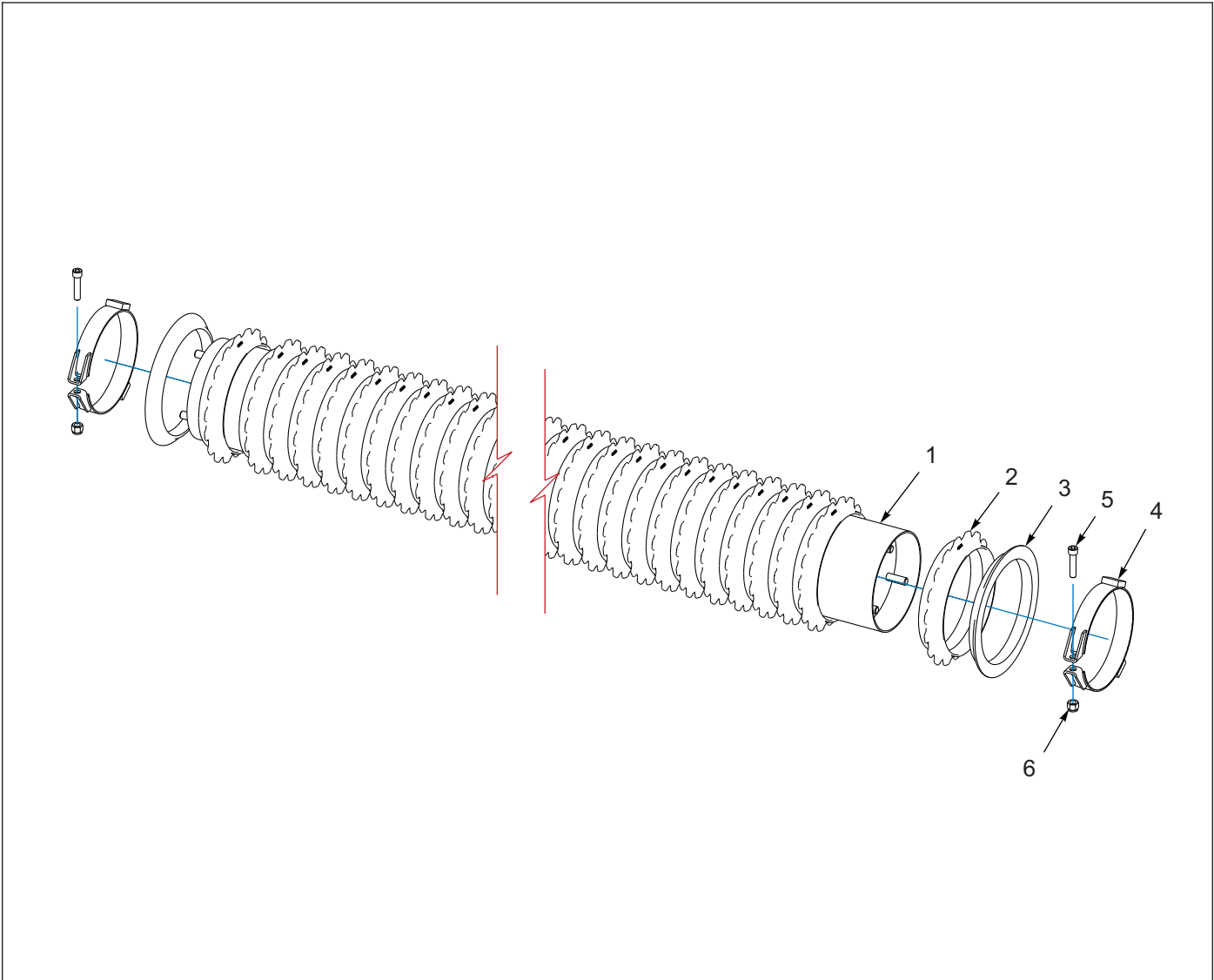


Figure 1-26: Rear Roller Assembly

Rear Roller Assembly

ITEM	PART NUMBER	DESCRIPTION	QTY		
			8'	10'	12'
		MODELS	8'	10'	12'
	9J897	8' REAR ROLLER ASSEMBLY	1	--	--
	9J336	10' REAR ROLLER ASSEMBLY	--	1	--
	2K460	12' REAR ROLLER ASSEMBLY	--	--	1
1	9J895	PIPE, 8' WELDMENT	1	--	--
1	9J337	PIPE, 10' WELDMENT	--	1	--
1	2K455	PIPE, 12' WELDMENT	--	--	1
2	4C689	REAR SAND WHEEL	41	52	62
3	2C524	HALF WHEEL	2	2	2
4	2C801	CLAMP BAND & BOLT ASSEMBLY (INCLUDES ITEMS 5 AND 6)	2	2	2
5	118577	SCREW, HX SKT HD 1/2-13 X 2-1/2, ZP	2	2	2
6	2C112	NUT, HX LOCK 1/2-13NC HVY ELSTC	2	2	2

Rear Arm Assemblies

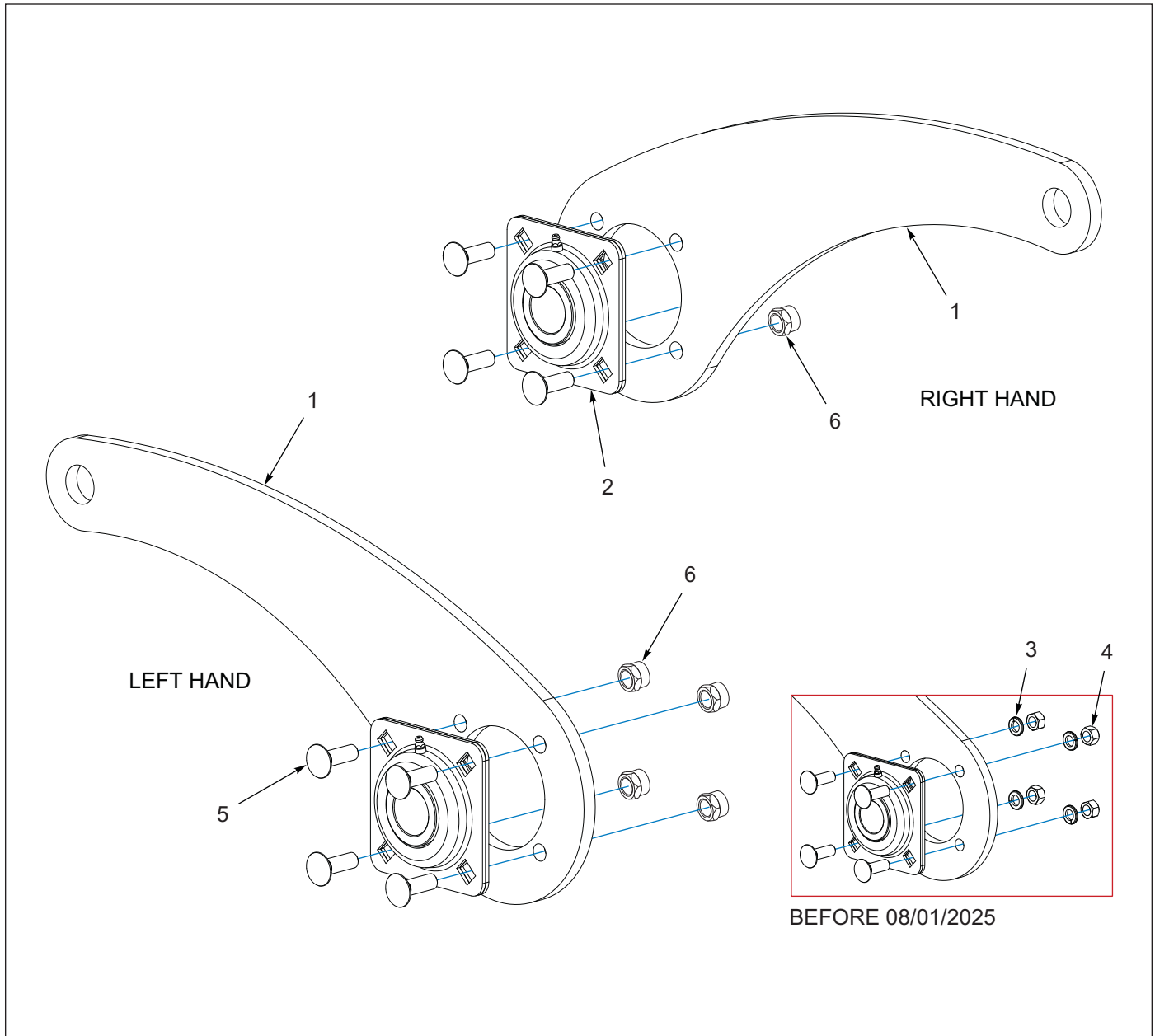


Figure 1-27: Rear Arm Assemblies

Rear Arm Assemblies

ITEM	PART NUMBER	DESCRIPTION	QTY
	2K480	ARM ASSY LEFT REAR	--
	2K481	ARM ASSY RIGHT REAR	--
1	2K522	REAR ARM	2
2	1-065-010011	BEARING FLANGED 1-1/2ID (AFTER 08/01/2025)	2
2	2K316	BEARING FLANGED 1-1/2 ID (BEFORE 08/01/2025)	2
3	1-861-010034-13	WASHER, LKG HLCL SPR, 1/2 (BEFORE 08/01/2025)	8
4	1-512-010007-09	NUT, HEX 1/2-13, ZP (BEFORE 08/01/2025)	8
5	1-654-010070-03	SCREW, RDHD SQNK 1/2-13 X 1-1/2	8
6	1-512-010005-09	NUT,HEX,SLFLKG, 1/2-13 GRB (AFTER 08/01/2025)	8

Transmission Mounting and Drive

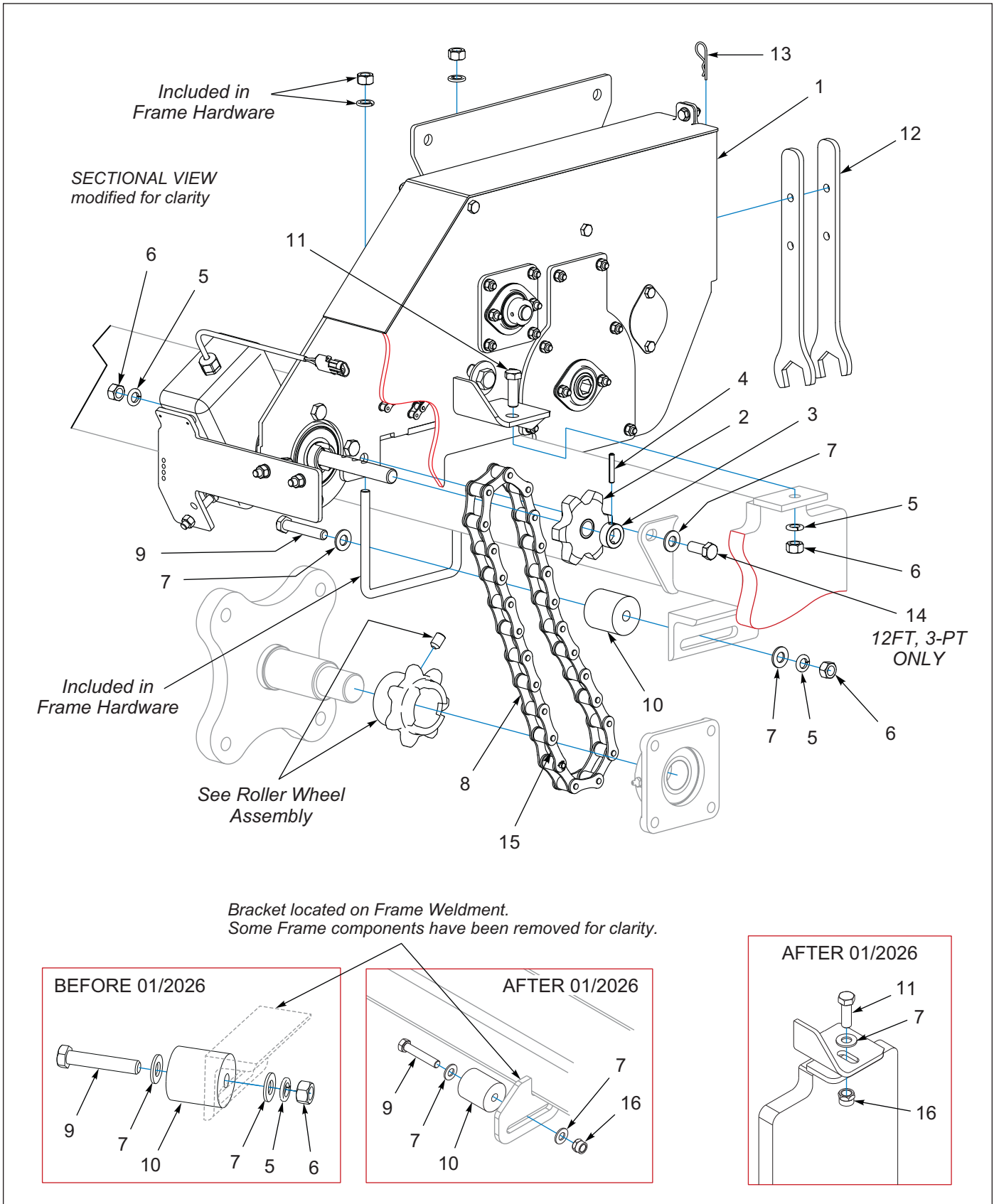


Figure 1-28: Transmission Mounting and Drive

Transmission Mounting and Drive

ITEM	PART NUMBER	DESCRIPTION	QTY
1	224166	SL2 TRANSMISSION ASM (AFTER 01/2020) (INCLUDES ITEMS 2-4) (SEE PAGE 1-44)	1
1	224167	SLB2 TRANSMISSION ASM (AFTER 01/2020) (INCLUDES ITEMS 2-4) (SEE PAGE 1-56)	1
1	5K204	TRANSMISSION ASM (BEFORE 01/2020) (INCLUDES ITEMS 2-4) (SEE PAGE 1-60)	1
2	5K228	SPROCKET - 6 TOOTH W/BUSHING	1
3	5K201	COLLAR	1
4	1-647-010004217	SPRING PIN, SLOTTED 1/4X1-1/2	1
5	1-861-010034-13	WASHER, LKG HLCL SPR,1/2	--
6	1-512-010007-09	NUT, HEX 1/2-13, ZP	--
7	1-861-010032-14	WASHER, FLAT 1/2" N, ZP/CD	--
8	5K271	ROLLER CHAIN-A550 25 PITCHES (INCLUDES ITEM 15)	1
9	101510	SCREW, HXCP 1/2-13UNC X 2-3/4, GR5	1
10	247494	IDLER, 2.0 OD X 2-1/4 X .53 (AFTER 01/2026)	1
10	2K957	IDLER (2" x 2") (BEFORE 01/2026)	1
11	1-654-010055-03	SCREW, 1/2-13UNC X 1-1/2, GR5	1
12	5K319	WRENCH 1-1/2"	2
13	6C400	HAIR PIN COTTER	1
14	1-654-010055-02	SCREW, HEX CAP, 1/2-13UNC X 1-1/4 (12FT 3-PT MODEL ONLY) (BEFORE 01/2026)	1
15	9J924	CONNECTOR LINK, A550 (INCLUDED WITH ITEM 8) (REPLACEMENT PART)	1
16	1-512-010005-09	NUT,HEX,SLFLKG, 1/2-13 GRB (AFTER 01/2026)	2

Front Seed Box Transmission Assembly (AFTER 08/2025)

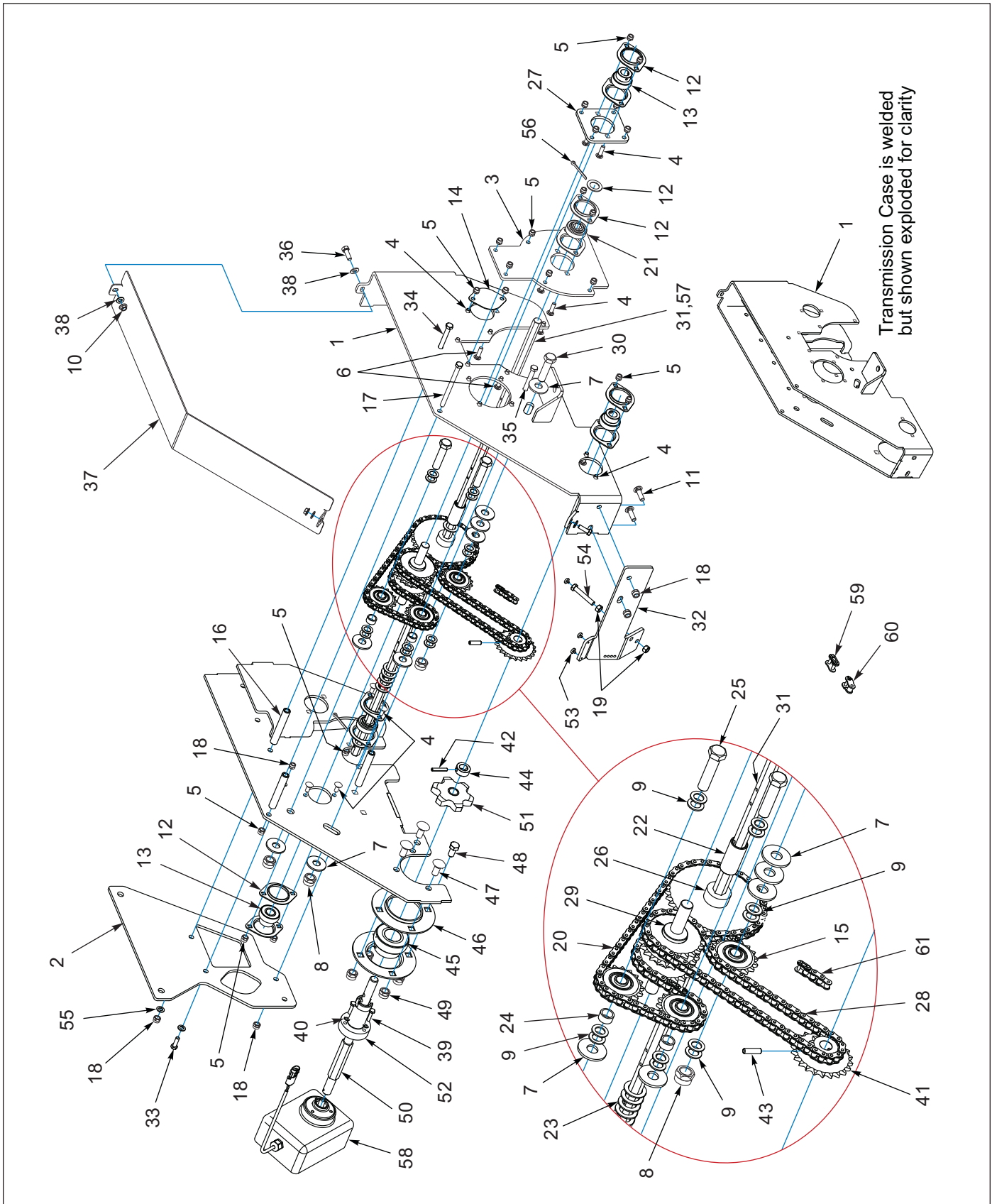


Figure 1-29: Front Seed Box Transmission Assembly (After 08/2025)

Front Seed Box Transmission Assembly (AFTER 08/2025)

ITEM	PART NUMBER	DESCRIPTION	QTY
	224166	SL2 TRANSMISSION (INCL. ITEMS 1-30, 32-56)	1
1	224156	TRANSMISSION CASE	1
2	222836	MOUNT PLATE	1
3	224152	SPROCKET COVER	1
4	105909	SCREW,RDHD,SQNCK,5/16-18X3/4	12
5	1-512-010005-03	NUT HEX SLFLKG GRB 5/16-18	23
6	104031	SCREW,RDHD,SQNK 5/16-18X1 GR5	10
7	1-861-010032-19	WASHER, FLAT 5/8 W, ZP/CD	8
8	1-512-010005-13	NUT,HEX SLFLKG GRB 5/8-11	3
9	8C892	MACH BUSH, 0.625 X 1.0 X 14GA	12
10	1-510-010004-03	NUT HX FLANGE, 5/16-18 GR8	2
11	111276	SCREW RDHD SQNK 3/8-16X1 GR5	2
12	2K503	FLANGETTE HALF, 2 BLT	10
13	1D598	BEARING & COLLAR 3/4"	3
14	224160	COVER	1
15	117721	4017E IDLER SPK: 5/8"	3
16	219228	TUBE, RND 0.386 X 0.625 X 3.9375	3
17	172882	SCREW, HEX CAP, 3/8-16UNC X 5, GR5	1
18	1-512-010005-05	NUT, HEX, SLFLKG GRB 3/8-16	4
19	1-512-010007-07	NUT, HEX 3/8-16, ZP	2
20	222843	ROLLER CHAIN, #40 X 89 PITCHES (INCLUDES ITEMS 59, 60)	1
21	5K100	BRG, 11/16 HEX	2
22	222829	TUBE, RND 0.824 X 1.05 X 2.188	1
23	7D759	MACH BUSH, 0.875 X 1.375 X 14GA	7
24	7K113	TUBE, RND 0.656 X 0.84 X 0.438	2
25	1-654-010059-08	SCREW, HXCP 5/8-11UNC X 2-3/4	2
26	5K229	SPROCKET - 37 TOOTH	1
27	224154	PLATE, BEARING MNT	1
28	222842	ROLLER CHAIN, #40 X 64 PITCHES (INCLUDES ITEM 59)	1
29	222840	JACKSHAFT, #40 SPROCKETS	1
30	1-654-010059-07	SCREW HX CP 5/8-11UNC X 2-1/2, GR5	1
31	5K315	SEED SHAFT, LH 4' (8FT)	1
31	5K311	SEED SHAFT, LH 5' (10FT)	1
31	5K154	SEED SHAFT, LH 6' (12FT)	1
32	5K209	BRACKE T	1
33	1-654-010051-06	HHCS, 3/8-16 X 1-1/4, GR5, ZP	1
34	139603	SCREW , HEX CAP 3/8-16 X 5-1/2, GR5	1
35	185216	SCREW, HX CP, 3/8-16UNC X 5-1/4, GR5	1
36	128300	SCREW,HX CP,5/16-18X7/8 GR5	2
37	222837	SHIELD	1
38	1-861-010032-08	WASHER, FLAT 5/16 STD, ZP	4
39	1P340	HHCS, 1/4-20 X 1-1/8, GR5, ZP	3
40	1-861-010034-09	WASHER, LKG HLCL SPR, 1/4	3
41	5K178	SPROCKET, #40 X 22T X 11T	1
42	1-647-010004217	SPRING PIN, SLOTTED 1/4 X 1-1/2	1
43	3D478	ROLL PIN, 5/16 X 1-1/8	1
44	5K201	COLLAR	1
45	9D903	BRG, 1-1/2 BORE W/COLLAR	1
46	5K226	FLANGETTE HALF, 4 BLT	2

Front Seed Box Transmission Assembly (AFTER 08/2025)

ITEM	PART NUMBER	DESCRIPTION	QTY
47	1-654-010070-02	SCREW 1/2-13X1-1/4 RD HD SQNK	3
48	1-654-010055-01	SCR, HX CP 1/2-13UNC X 1, GR5	1
49	1-512-010005-09	NUT,HEX,SLFLKG, 1/2-13 GRB	4
50	5K156	INPUT SHAFT	1
51	5K228	SPROCKET, #550 X 6T KEYED	1
52	5K227	QUILL SHAFT	1
53	1K639	BUTTON	3
54	5K273	BUMPER BOLT	1
55	1-861-010032-10	WASHER, FLAT 3/8" N ZP/CD	1
56	1-557-010362-51	PIN, COTTER 3/16X1-1/2	2
57	224159	SHAFT,HEX 11/16X6-1/2	1
58	4K956	ELECTRIC CLUTCH (SEE PAGE 1-63)	1
59	119716	CONNECTING LINK #40 CHAIN	1
60	163981	OFFSET LINK #40	1
61	5K267	ROLLER CHAIN, #40 X 4 PITCHES (INCLUDES ITEM 59) (USED WITH 22 TOOTH DRIVE SPROCKET)	1

Front Seed Box Transmission Assembly (01/2020 to 08/2025)

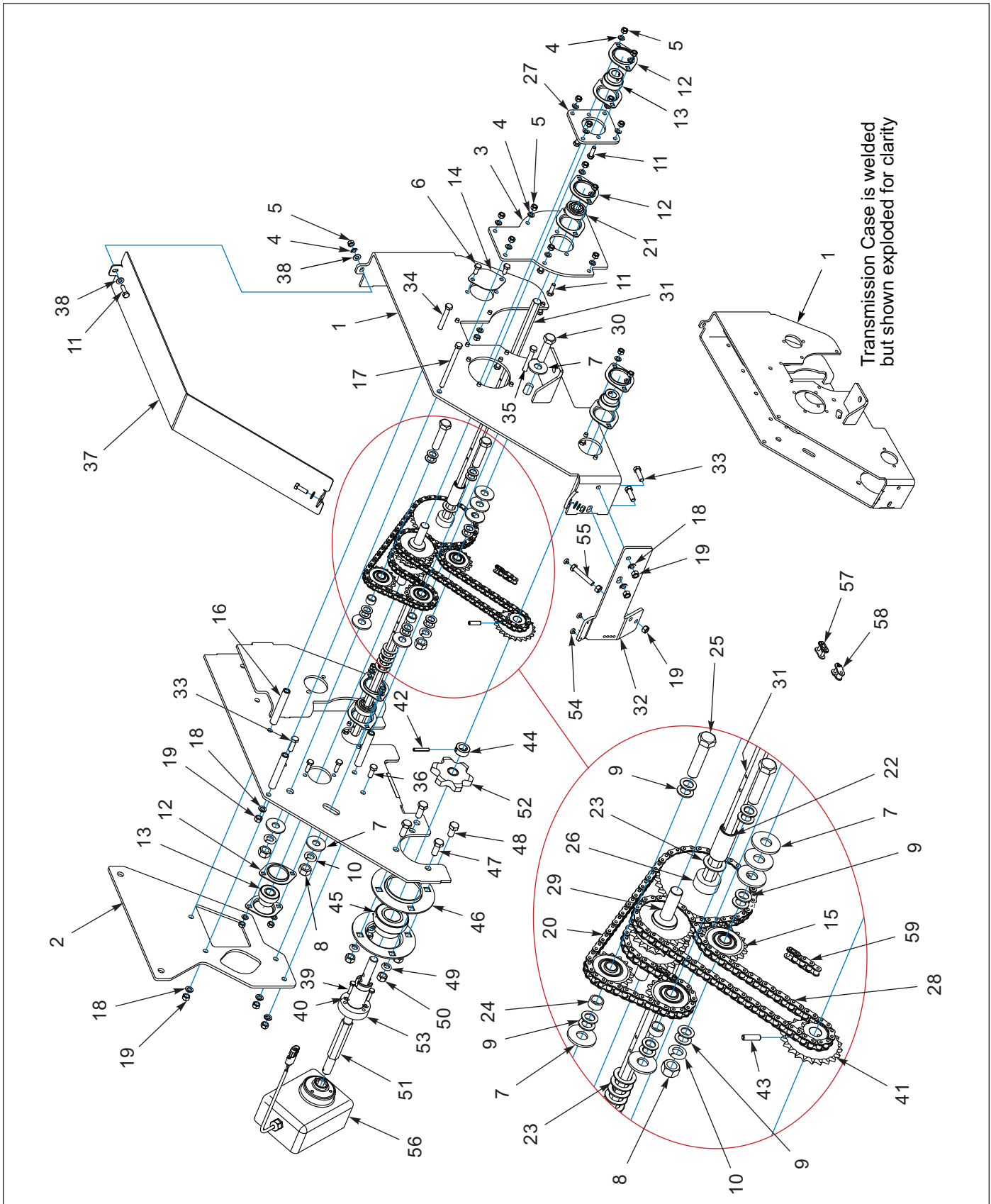


Figure 1-30: Front Seed Box Transmission Assembly (01/2020 to 08/2025)

Front Seed Box Transmission Assembly (01/2020 to 08/2025)

ITEM	PART NUMBER	DESCRIPTION	QTY
	224166	SL2 TRANSMISSION (INCL. ITEMS 1-30, 32-56)	1
1	224156	TRANSMISSION CASE	1
2	222836	MOUNT PLATE	1
3	224152	SPROCKET COVER	1
4	1-861-010034-10	WASHER, LKG 5/16	24
5	1-512-010007-06	NUT, HEX 5/16-18	24
6	1-654-010049-03	SCREW, HX CP 5/16-18UNC X 3/4, GR5	2
7	1-861-010032-19	WASHER, FLAT 5/8 W, ZP/CD	8
8	1-512-010007-11	NUT, HEX 5/8-11, ZP	3
9	8C892	MACH BUSH, 0.625 X 1.0 X 14GA	12
10	1-861-010034-15	WASHER, LKG, HLCL SPR, 5/8	3
11	1-654-010049-05	SCREW, HX CP 5/16-18UNC X 1, GR5	22
12	2K503	FLANGETTE HALF, 2 BLT	10
13	1D598	BEARING & COLLAR 3/4"	5
14	224160	COVER	1
15	117721	4017E IDLER SPK: 5/8"	3
16	219228	TUBE, RND 0.386 X 0.625 X 3.9375	3
17	172882	SCREW, HEX CAP, 3/8-16UNC X 5, GR5	1
18	1-861-010034-11	WASHER, LKG HLCL SPR, 3/8	7
19	1-512-010007-07	NUT, HEX 3/8-16, ZP	9
20	222843	ROLLER CHAIN, #40 X 89 PITCHES (INCLUDES ITEM 57)	1
21	5K100	BRG, 11/16 HEX	2
22	222829	TUBE, RND 0.824 X 1.05 X 2.188	1
23	7D759	MACH BUSH, 0.875 X 1.375 X 14GA	6
24	7K113	TUBE, RND 0.656 X 0.84 X 0.438	2
25	1-654-010059-08	SCREW, HXCP 5/8-11UNC X 2-3/4	2
26	5K229	SPROCKET - 37 TOOTH	1
27	224154	PLATE, BEARING MNT	1
28	222842	ROLLER CHAIN, #40 X 64 PITCHES (INCLUDES ITEM 57)	1
29	222840	JACKSHAFT, #40 SPROCKETS	1
30	1-654-010059-07	SCREW HX CP 5/8-11UNC X 2-1/2, GR5	1
31	5K315	SEED SHAFT, LH 4'	1
31	5K311	SEED SHAFT, LH 5'	1
31	5K154	SEED SHAFT, LH 6'	1
32	5K209	BRACKE T	1
33	1-654-010051-06	HHCS, 3/8-16 X 1-1/4, GR5, ZP	3
34	139603	SCREW, HEX CAP 3/8-16 X 5-1/2, GR5	1
35	185216	SCREW, HX CP, 3/8-16UNC X 5-1/4, GR5	1
36	1-654-010051-05	SCREW, HEX CAP 3/8-16UNC X 1, GR5	1
37	222837	SHIELD	1
38	1-861-010032-08	WASHER, FLAT 5/16 STD, ZP	4
39	1P340	HHCS, 1/4-20 X 1-1/8, GR5, ZP	3
40	1-861-010034-09	WASHER, LKG HLCL SPR, 1/4	3
41	5K178	SPROCKET, #40 X 22T X 11T	1
42	1-647-010004217	SPRING PIN, SLOTTED 1/4 X 1-1/2	1
43	3D478	ROLL PIN, 5/16 X 1-1/8	1
44	5K201	COLLAR	1
45	9D903	BRG, 1-1/2 BORE W/COLLAR	1
46	5K226	FLANGETTE HALF, 4 BLT	2

Front Seed Box Transmission Assembly (01/2020 to 08/2025)

ITEM	PART NUMBER	DESCRIPTION	QTY
47	1-654-010055-02	SCREW, 1/2-13UNC X 1-1/4 CP, GR5	3
48	1-654-010055-01	SCR, HX CP 1/2-13UNC X 1, GR5	1
49	1-861-010034-13	WASHER, LOCK 1/2, ZP	4
50	1-512-010007-09	NUT, HEX 1/2-13, ZP	4
51	5K156	INPUT SHAFT	1
52	5K228	SPROCKET, #550 X 6T KEYED	1
53	5K227	QUILL SHAFT	1
54	1K639	BUTTON	3
55	5K273	BUMPER BOLT	1
56	4K956	ELECTRIC CLUTCH (SEE PAGE 1-63)	1
57	119716	CONNECTING LINK #40 CHAIN	1
58	163981	OFFSET LINK #40	1
59	5K267	ROLLER CHAIN, #40 X 4 PITCHES (INCLUDES ITEM 57) (USED WITH 22 TOOTH DRIVE SPROCKET)	1

Front and Rear Seed Box Transmission Asm. (AFTER 05/2026)

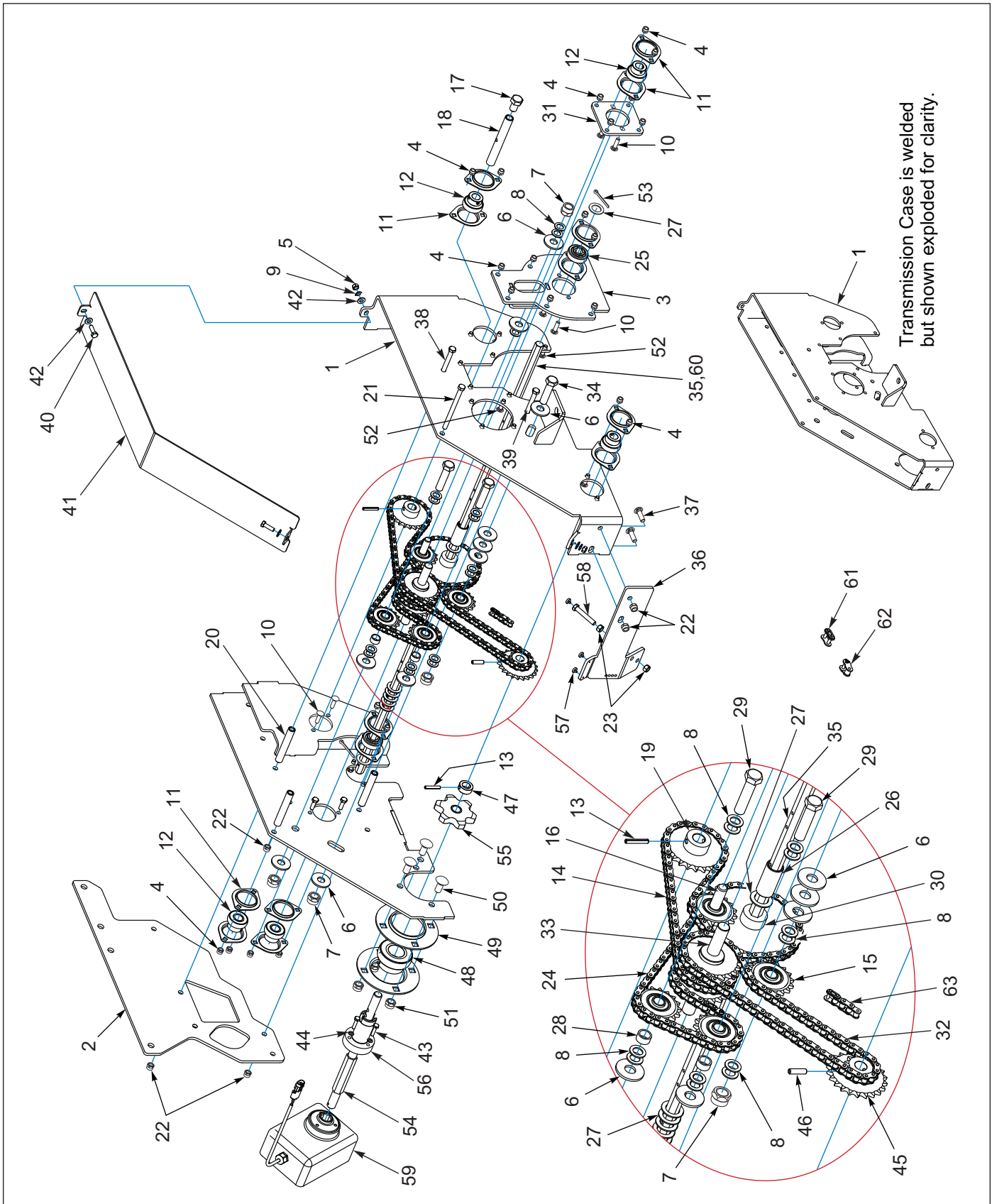


Figure 1-31: Front and Rear Seed Box Transmission Asm. (AFTER 05/2026)

Front and Rear Seed Box Transmission Asm. (AFTER 05/2026)

ITEM	PART NUMBER	DESCRIPTION	QTY
	224167	SLB2 TRANSMISSION (INCL. ITEMS 1-34, 36-59)	--
1	224156	TRANSMISSION CASE	1
2	224168	MOUNT PLATE	1
3	224171	SPROCKET COVER	1
4	1-512-010005-03	NUT HEX SLFLKG GRB 5/16-18	24
5	1-512-010007-06	NUT, HEX 5/16-18	2
6	1-861-010032-19	WASHER, FLAT 5/8 W, ZP/CD	10
7	1-512-010005-13	NUT,HEX SLFLKG GRB 5/8-11	4
8	8C892	MACH BUSH, 0.625 X 1.0 X 14GA	15
9	1-861-010034-10	WASHER, LKG 5/16	2
10	105909	SCREW,RDHD,SQNCK,5/16-18X3/4	14
11	2K503	FLANGETTE HALF, 2 BLT	14
12	1D598	BEARING & COLLAR 3/4"	5
13	1-647-010004217	SPRING PIN, SLOTTED 1/4 X 1-1/2	2
14	224172	ROLLER CHAIN, #40 X 66 PITCHES (INCLUDES ITEM 60)	1
15	117721	4017E IDLER SPK: 5/8"	4
16	1-654-010059-06	SCREW, HEX CAP 5/8-11 X 2-1/4, GR5	1
17	1-654-010059-01	SCREW, HX CP, 5/8-11UNC X 1, GR5	1
18	224155	DRIVE TUBE	1
19	9D854	SPROCKET-23 TOOTH	1
20	219228	TUBE, RND 0.386 X 0.625 X 3.9375	3
21	172882	SCREW, HEX CAP, 3/8-16UNC X 5, GR5	1
22	1-512-010005-05	NUT, HEX, SLFLKG GRB 3/8-16	5
23	1-512-010007-07	NUT, HEX 3/8-16, ZP	2
24	222843	ROLLER CHAIN, #40 X 89 PITCHES (INCLUDES ITEMS 61, 62)	1
25	5K100	BRG, 11/16 HEX	2
26	222829	TUBE, RND 0.824 X 1.05 X 2.188	1
27	7D759	MACH BUSH, 0.875 X 1.375 X 14GA	8
28	7K113	TUBE, RND 0.656 X 0.84 X 0.438	2
29	1-654-010059-08	SCREW, HXCP 5/8-11UNC X 2-3/4	2
30	5K229	SPROCKET - 37 TOOTH	1
31	224154	PLATE, BEARING MNT	1
32	222842	ROLLER CHAIN, #40 X 64 PITCHES (INCLUDES ITEM 61)	1
33	222840	JACKSHAFT, #40 SPROCKETS	1
34	1-654-010059-07	SCREW HX CP 5/8-11UNC X 2-1/2, GR5	1
35	5K315	SEED SHAFT, LH 4'	1
35	5K311	SEED SHAFT, LH 5'	1
35	5K154	SEED SHAFT, LH 6'	1
36	5K209	BRACKET	1
37	111276	SCREW RDHD SQNK 3/8-16X1 GR5	2
38	139603	SCREW, HEX CAP 3/8-16 X 5-1/2, GR5	1
39	185216	SCREW, HX CP, 3/8-16UNC X 5-1/4, GR5	1
40	1-654-010049-05	SCREW HX CP 5/16-18UNCX1 GR5	2
41	222837	SHIELD	1
42	1-861-010032-08	WASHER, FLAT 5/16 STD, ZP	4
43	1P340	HHCS, 1/4-20 X 1-1/8, GR5, ZP	3
44	1-861-010034-09	WASHER, LKG HLCL SPR, 1/4	3
45	5K178	SPROCKET, #40 X 22T X 11T	1
46	3D478	ROLL PIN, 5/16 X 1-1/8	1

Front and Rear Seed Box Transmission Asm. (AFTER 05/2026)

ITEM	PART NUMBER	DESCRIPTION	QTY
47	5K201	COLLAR	1
48	9D903	BRG, 1-1/2 BORE W/COLLAR	1
49	5K226	FLANGETTE HALF, 4 BLT	2
50	1-654-010070-02	SCREW 1/2-13X1-1/4 RD HD SQNK	3
51	1-512-010005-09	NUT,HEX,SLFLKG, 1/2-13 GR	3
52	104031	SCREW,RDHD,SQNK 5/16-18X1 GR5	10
53	1-557-010362-51	PIN, COTTER 3/16X1-1/2	2
54	5K156	INPUT SHAFT	1
55	5K228	SPROCKET, #550 X 6T KEYED	1
56	5K227	QUILL SHAFT	1
57	1K639	BUTTON	3
58	5K273	BUMPER BOLT	1
59	4K956	ELECTRIC CLUTCH (OPTIONAL) (SEE PAGE 1-63)	1
60	224159	SHAFT,HEX 11/16X6-1/2	1
61	119716	CONNECTING LINK #40 CHAIN	1
62	163981	OFFSET LINK #40	1
63	5K267	ROLLER CHAIN, #40 X 4 PITCHES (INCLUDES ITEM 60) (USED WITH 22 TOOTH DRIVE SPROCKET)	1

Front and Rear Seed Box Transmission Asm. (01/2020 TO 05/2026)

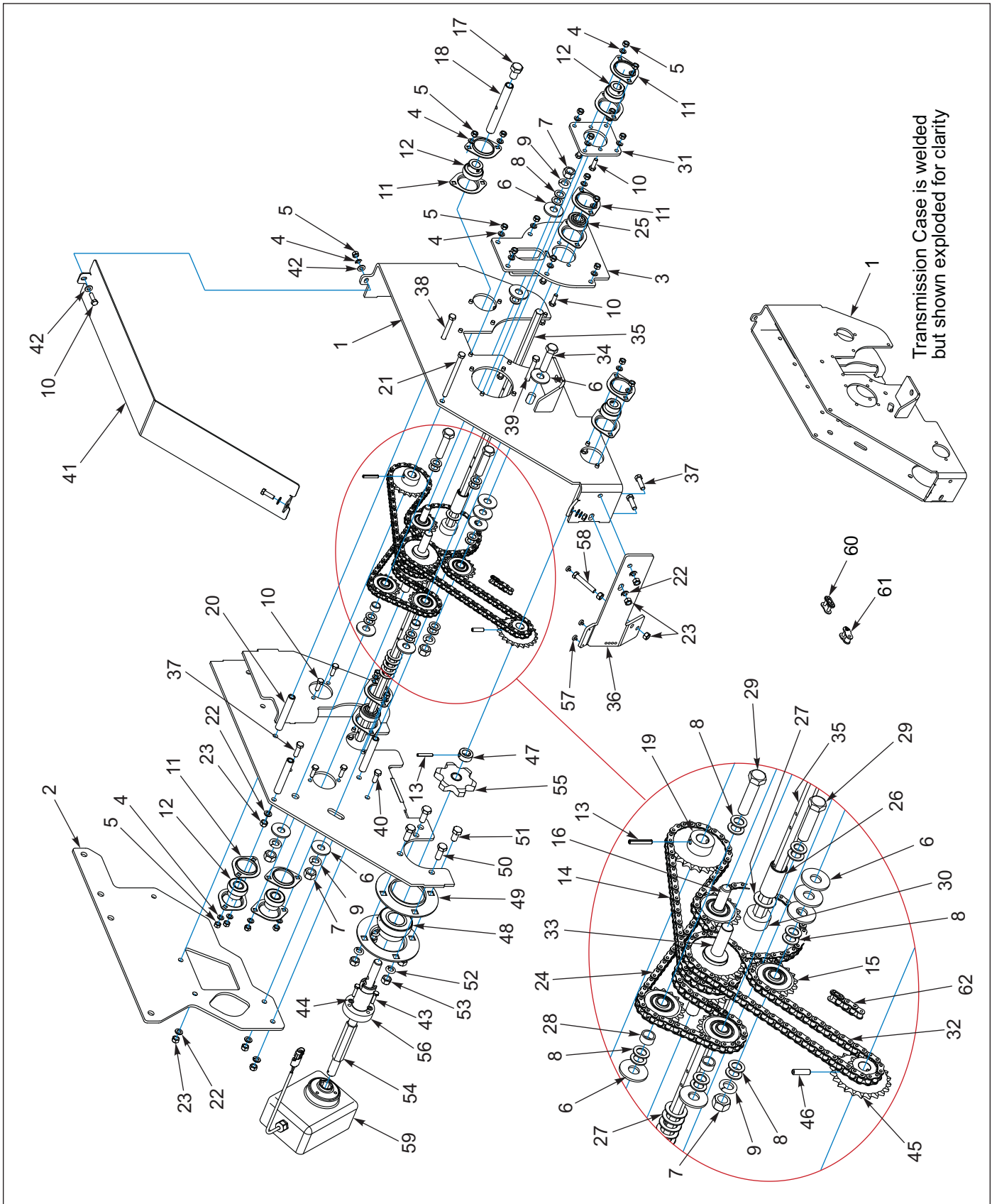


Figure 1-32: Front and Rear Seed Box Transmission Asm. (01/2020 TO 05/2026)

Front and Rear Seed Box Transmission Asm. (01/2020 TO 05/2026)

ITEM	PART NUMBER	DESCRIPTION	QTY
	224167	SLB2 TRANSMISSION (INCL. ITEMS 1-34, 36-59)	--
1	224156	TRANSMISSION CASE	1
2	224168	MOUNT PLATE	1
3	224171	SPROCKET COVER	1
4	1-861-010034-10	WASHER, LKG 5/16	26
5	1-512-010007-06	NUT, HEX 5/16-18	26
6	1-861-010032-19	WASHER, FLAT 5/8 W, ZP/CD	10
7	1-512-010007-11	NUT, HEX 5/8-11, ZP	4
8	8C892	MACH BUSH, 0.625 X 1.0 X 14GA	15
9	1-861-010034-15	WASHER, LKG, HLCL SPR, 5/8	4
10	1-654-010049-05	SCREW, HX CP 5/16-18UNC X 1, GR5	26
11	2K503	FLANGETTE HALF, 2 BLT	14
12	1D598	BEARING & COLLAR 3/4"	5
13	1-647-010004217	SPRING PIN, SLOTTED 1/4 X 1-1/2	2
14	224172	ROLLER CHAIN, #40 X 66 PITCHES (INCLUDES ITEM 60)	1
15	117721	4017E IDLER SPK: 5/8"	4
16	1-654-010059-06	SCREW, HEX CAP 5/8-11 X 2-1/4, GR5	1
17	1-654-010059-01	SCREW, HX CP, 5/8-11UNC X 1, GR5	1
18	224155	DRIVE TUBE	1
19	9D854	SPROCKET-23 TOOTH	1
20	219228	TUBE, RND 0.386 X 0.625 X 3.9375	3
21	172882	SCREW, HEX CAP, 3/8-16UNC X 5, GR5	1
22	1-861-010034-11	WASHER, LKG HLCL SPR, 3/8	7
23	1-512-010007-07	NUT, HEX 3/8-16, ZP	9
24	222843	ROLLER CHAIN, #40 X 89 PITCHES (INCLUDES ITEM 60, 61)	1
25	5K100	BRG, 11/16 HEX	2
26	222829	TUBE, RND 0.824 X 1.05 X 2.188	1
27	7D759	MACH BUSH, 0.875 X 1.375 X 14GA	6
28	7K113	TUBE, RND 0.656 X 0.84 X 0.438	2
29	1-654-010059-08	SCREW, HXCP 5/8-11UNC X 2-3/4	2
30	5K229	SPROCKET - 37 TOOTH	1
31	224154	PLATE, BEARING MNT	1
32	222842	ROLLER CHAIN, #40 X 64 PITCHES (INCLUDES ITEM 60)	1
33	222840	JACKSHAFT, #40 SPROCKETS	1
34	1-654-010059-07	SCREW HX CP 5/8-11UNC X 2-1/2, GR5	1
35	5K315	SEED SHAFT, LH 4'	1
35	5K311	SEED SHAFT, LH 5'	1
35	5K154	SEED SHAFT, LH 6'	1
36	5K209	BRACKET	1
37	1-654-010051-06	HHCS, 3/8-16 X 1-1/4, GR5, ZP	3
38	139603	SCREW, HEX CAP 3/8-16 X 5-1/2, GR5	1
39	185216	SCREW, HX CP, 3/8-16UNC X 5-1/4, GR5	1
40	1-654-010051-05	SCREW, HEX CAP 3/8-16UNC X 1, GR5	1
41	222837	SHIELD	1
42	1-861-010032-08	WASHER, FLAT 5/16 STD, ZP	4
43	1P340	HHCS, 1/4-20 X 1-1/8, GR5, ZP	3
44	1-861-010034-09	WASHER, LKG HLCL SPR, 1/4	3
45	5K178	SPROCKET, #40 X 22T X 11T	1
46	3D478	ROLL PIN, 5/16 X 1-1/8	1

Front and Rear Seed Box Transmission Asm. (01/2020 TO 05/2026)

ITEM	PART NUMBER	DESCRIPTION	QTY
47	5K201	COLLAR	1
48	9D903	BRG, 1-1/2 BORE W/COLLAR	1
49	5K226	FLANGETTE HALF, 4 BLT	2
50	1-654-010055-02	SCREW, 1/2-13UNC X 1-1/4 CP, GR5	3
51	1-654-010055-01	SCR, HX CP 1/2-13UNC X 1, GR5	1
52	1-861-010034-13	WASHER, LOCK 1/2, ZP	4
53	1-512-010007-09	NUT, HEX 1/2-13, ZP	4
54	5K156	INPUT SHAFT	1
55	5K228	SPROCKET, #550 X 6T KEYED	1
56	5K227	QUILL SHAFT	1
57	1K639	BUTTON	3
58	5K273	BUMPER BOLT	1
59	4K956	ELECTRIC CLUTCH (OPTIONAL) (SEE PAGE 1-63)	1
60	119716	CONNECTING LINK #40 CHAIN	1
61	163981	OFFSET LINK #40	1
62	5K267	ROLLER CHAIN, #40 X 4 PITCHES (INCLUDES ITEM 60) (USED WITH 22 TOOTH DRIVE SPROCKET)	1

Transmission Assembly (BEFORE 01/2020)

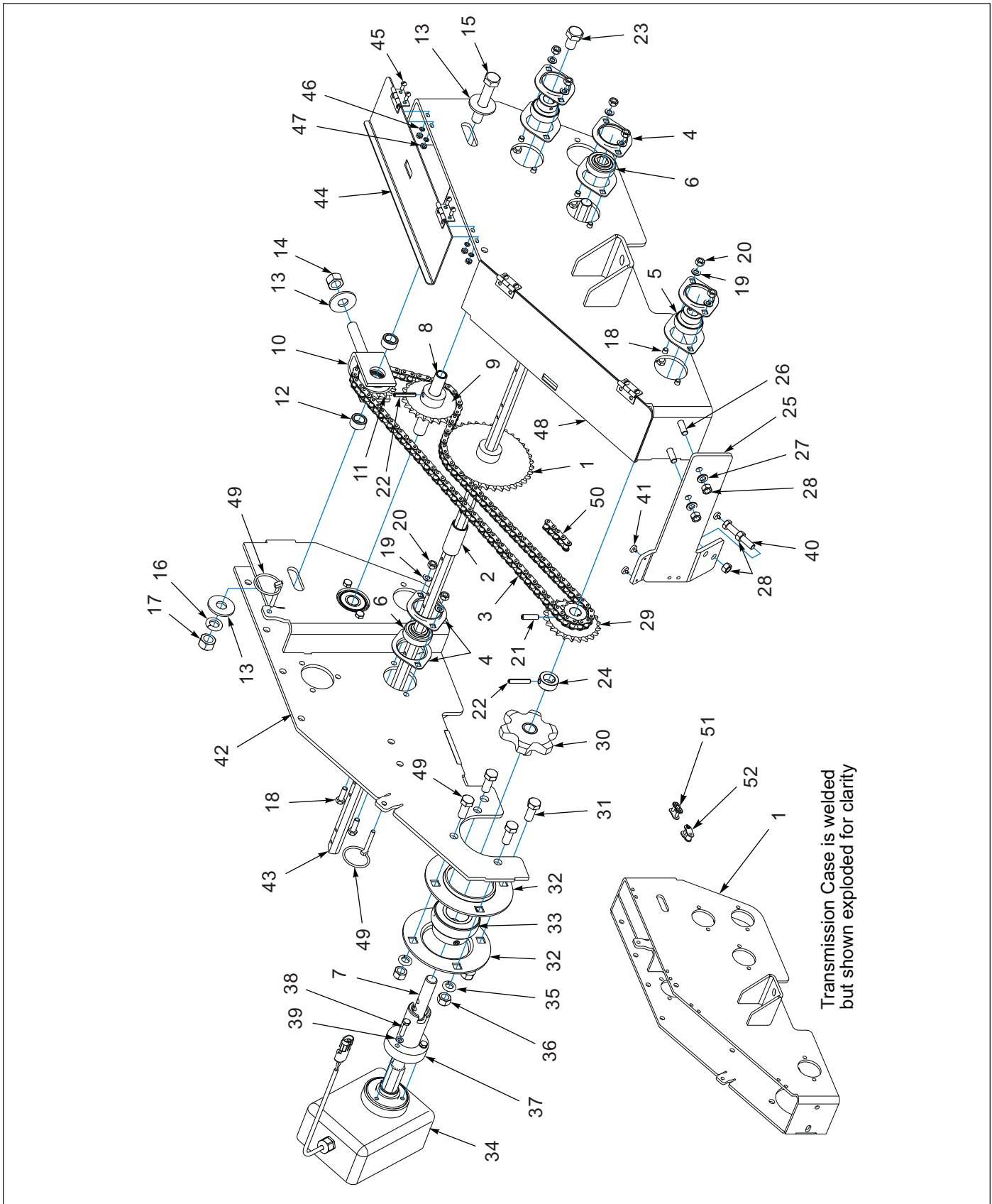


Figure 1-33: Transmission Assembly (BEFORE 01/2020)

Transmission Assembly (BEFORE 01/2020)

ITEM	PART NUMBER	DESCRIPTION	QTY
	5K204	TRANSMISSION ASSEMBLY (INCLUDES ITEMS 4-42)	--
1	5K229	SPROCKET - 37 TOOTH	1
2	5K230	SPACER	1
3	2K504	CHAIN #40 X 110 PITCHES (INCLUDING ITEM 51)	1
4	2K503	FLANGETTE - 2 BOLT	10
5	1D598	BEARING & COLLAR 3/4"	3
6	5K100	11/16 HEX BEARING	2
7	5K156	INPUT SHAFT	1
8	6K516	DRIVE TUBE	1
9	9D854	SPROCKET-23 TOOTH	1
10	9J379	YOKE	1
11	117721	4017E IDLER SPK, 5/8"	1
12	9J391	BUSHING	2
13	1-861-010032-19	WASHER, FLAT 5/8 W, ZP/CD	3
14	1-512-010005-13	NUT, HEX SLFLKG GRB 5/8-11	1
15	1-654-010059-11	SCREW, HX CP 5/8-11UNC X 3.5, GR5	1
16	1-861-010034-15	WASHER, LKG, HLCL SPR, 5/8	1
17	1-512-010007-11	NUT, HEX 5/8-11 GR2, ZP	1
18	1-654-010049-05	SCREW, HX CP 5/16-18UNC X 1, GR5	10
19	1-861-010034-10	WASHER, LKG 5/16	10
20	1-512-010007-06	NUT, HEX 5/16-18	10
21	3D478	ROLL PIN 5/16 X 1-1/8	1
22	1-647-010004217	SPRING PIN, SLOTTED 1/4 X 1-1/2	2
23	1-654-010059-01	SCREW, HX CP, 5/8-11UNC X 1, GR5	1
24	5K201	COLLAR	1
25	5K209	BRACKET	1
26	1-654-010051-06	SCREW, HEX CAP 3/8-16UNC X 1-1/4	2
27	1-861-010034-11	WASHER, LKG HLCL SPR, 3/8	2
28	1-512-010007-07	NUT, HEX 3/8-16, ZP	4
29	5K178	SPROCKET - 11 & 22 TOOTH	1
30	5K228	SPROCKET - 6 TOOTH W/BUSHING	1
31	1-654-010055-02	SCREW, 1/2-13UNC X 1-1/4 CP, GR5	4
32	5K226	FLANGETTE HALF, 4 BOLT	2
33	9D903	BEARING 1-1/2 BOR W/COLLAR	1
34	4K956	ELECTRIC CLUTCH (SEE PAGE 1-63)	1
35	1-861-010034-13	WASHER, LKG HLCL SPR, 1/2	4
36	1-512-010007-09	NUT, HEX 1/2-13, ZP	4
37	5K227	QUILL SHAFT W/BUSHING	1
38	1P340	HHCS, 1/4-20 X 1-1/8, GR5, ZP	3
39	1-861-010034-09	WASHER, LKG HLCL SPR, 1/4	3
40	5K273	BUMPER BOLT	1
41	1K639	BUTTON	3
42	9J367	TRANSMISSION CASE	1
43	5K315	SEED SHAFT, LH 4'	1
43	5K311	SEED SHAFT, LH 5'	1
43	5K154	SEED SHAFT, LH 6'	1
44	9J392	COVER ASM TOP	1
45	1C213	STOVE BOLT #10-24 X 1/2 RDHD, ZP	8
46	1-861-010034-07	WASHER, LKG, HLCL SPR NO 10	8

Transmission Assembly (BEFORE 01/2020)

ITEM	PART NUMBER	DESCRIPTION	QTY
47	1-512-010007-03	NUT, HEX 10-24	8
48	9J395	COVER ASM	1
49	1-557-010327	PIN LYNCH 1/4 X 1-1/4	2
50	5K267	ROLLER CHAIN #40 X 4 PITCHES (INCLUDES ITEM 51) (USED WITH 22 TOOTH DRIVE SPROCKET)	1
51	119716	CONNECTING LINK #40 CHAIN	1
52	163981	OFFSET LINK #40	1

Electric Clutch

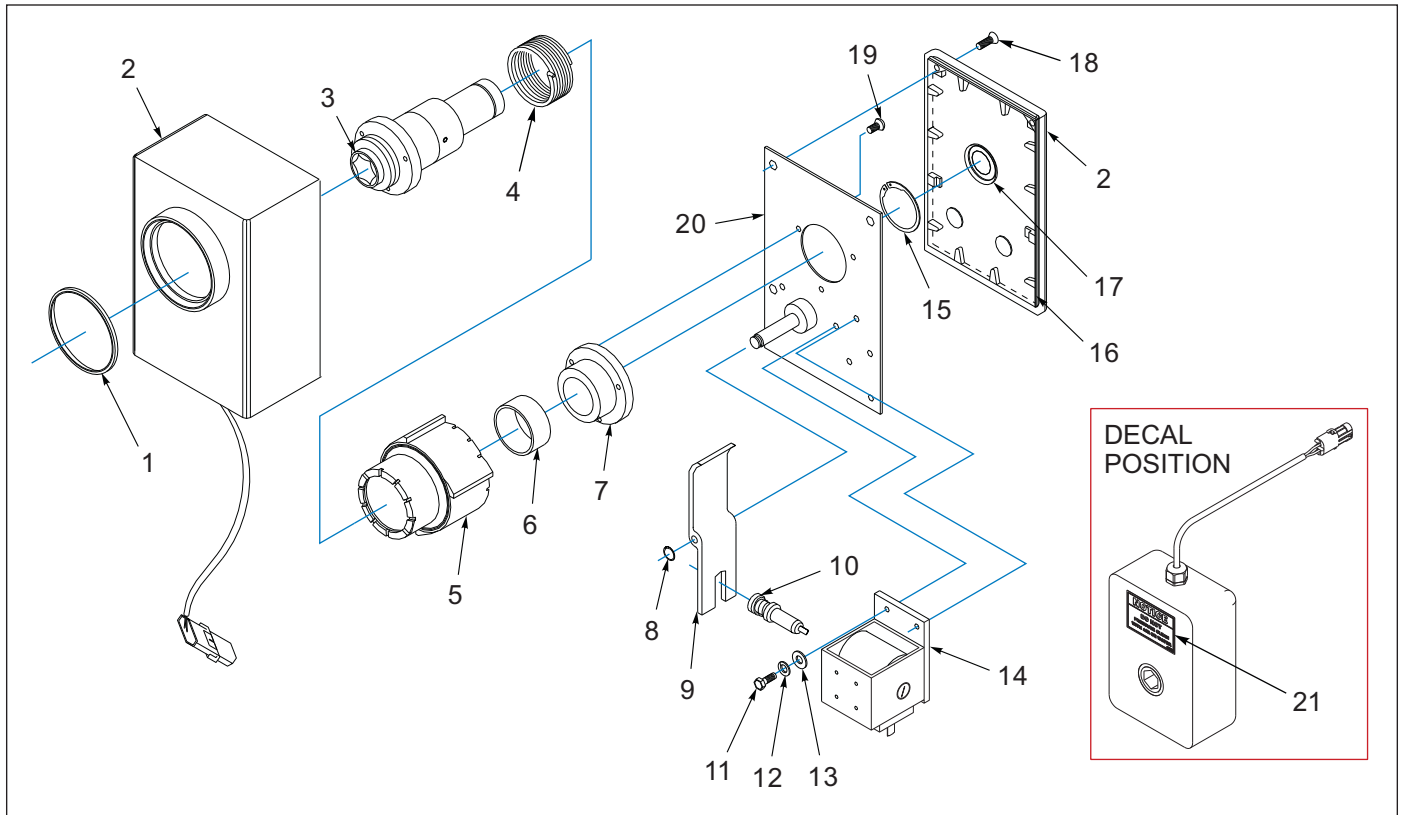


Figure 1-34: Electric Clutch

Electric Clutch

ITEM	PART NUMBER	DESCRIPTION	QTY
	4K956	ELECTRIC CLUTCH	1
1	-----	SEAL - ELEC CLUTCH	1
2	-----	COVER - ELEC CLUTCH	1
3	5K468	SHAFT ASSY - ELEC CLUTCH	1
4	5K470	DRIVE SPRING - ELEC CLUTCH	1
5	5K471	COLLAR SUB ASSY - ELEC CLUTCH	1
6	5K472	SLEEVE	1
7	5K473	FLANGED BRAKE HUB - ELEC CLUTCH	1
8	5K476	RETAINER RING EXT	1
9	-----	ACTUATOR LEVEL	1
10	-----	PLUNGER	1
11	121443	SOCKET HEAD CAPSCREW, #10-32 X 1/2	2
12	1-861-010034-07	LOCK WASHER, #10	2
13	1-861-010032-03	FLAT WASHER, #10	2
14	-----	COIL KIT - ELEC CLUTCH (CCW)	1
15	5K474	RETAINER RING - ELEC CLUTCH	1
16	5K489	COVER O-RING	1
17	5K491	SEAL	1
18	-----	FLAT HEAD CAPSCREW, #10-32 X 3/4"	4
19	115958	SCREW, BHSC 1/4-20UNC X 1/2	3
20	5K467	PLATE SUB ASSY - ELEC CLUTCH	1
21	192069	DECAL,DO NOT PRESSURE CLEAN	1

Clutch Switch Box

ITEM	PART NUMBER	DESCRIPTION	QTY
	5K294	SWITCH BOX ASSEMBLY (INCLUDES ITEMS 1-11)	1
1	5K398	SWITCH BOX (INCLUDES COVER AND 4 SCREWS)	1
2	5K416	FASTENER PANEL	1
3	5K400	FUSE - 5 AMP	1
4	2-318-010009	FUSE HOLDER, PANEL MOUNT	1
5	5K402	DECAL - SEED/NO SEED	1
6	3-272-010017	TOGGLE SWITCH	1
7	5K387	WIRE ASSEMBLY, 5FT	1
8	5K388	WIRE ASSEMBLY, 10FT	1
9	239-3646-6	TERMINAL 14AWG TO 5/16 RING	2
10	57081	TY-RAP WITH MARKING PAD	2
11	105-0214	TY WRAP	2
12	5K268	CABLE ASSEMBLY (20FT)	1
13	81264	RUBBER BOOT FOR ELECT SWITCH	1

Walk Board, Drawbar - 8FT, 10FT, (*12FT - AFTER 01/2026)

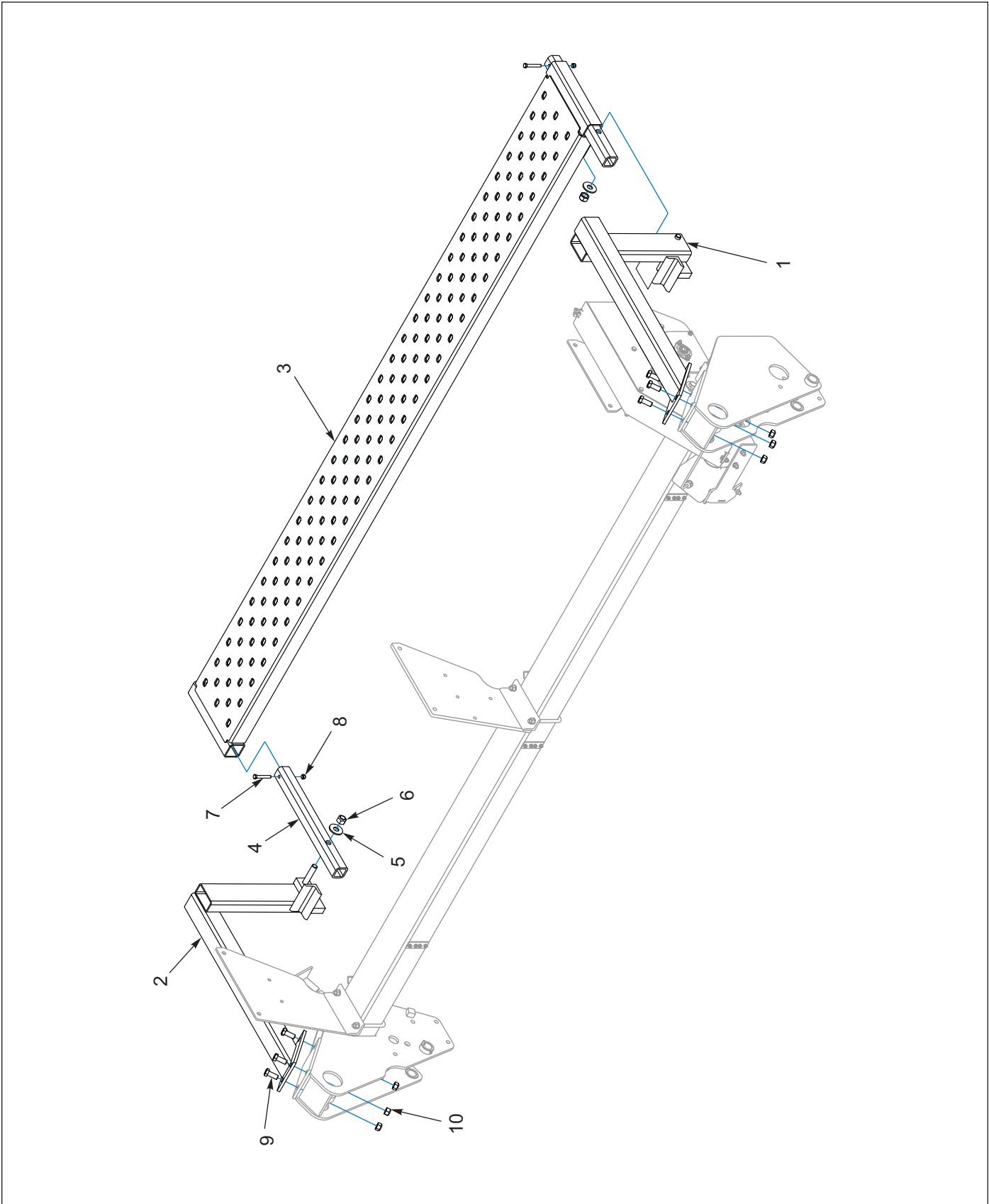


Figure 1-36: Walk Board, Drawbar - 8FT, 10FT, (*12FT - AFT. 01/2026)

Walk Board, Drawbar - 8FT, 10FT, (*12FT - AFTER 01/2026)

ITEM	PART NUMBER	DESCRIPTION	QTY
1	7K584	SUPPORT-WALK, LH, WELD	1
2	7K585	SUPPORT-WALK, RH, WELD	1
3	6K889	PLATFORM, 8' WLDMT	1
3	6K890	PLATFORM, 10' WLDMT	1
3	6K891	PLATFORM-WALK, 12 FT, WLDMNT	1
4	7K533	TUBE	2
5	1-861-010032-21	WASHER, FLAT 3/4 W ZP/CD	2
6	1-512-010005-15	NUT, HEX SLFLKG GRB 3/4-10	2
7	1-654-010051-11	SCREW, HX CP 3/8-16 X 2-1/2 G5, ZP	2
8	1-512-010005-05	NUT, HEX, SLFLKG GRB 3/8-16	2
9	1-654-010059-03	SCREW 5/8-11UNCX1-1/2 HXCP G5 (12FT)	6
9	1-654-010059-04	SCREW,HEX CAP 5/8-11X1-3/4 G (8FT, 10FT)	6
10	1-512-010005-13	NUT, HEX SLFLKG GRB 5/8-11	6

Walk Board, Drawbar - 12FT (BEFORE 01/2026)

ITEM	PART NUMBER	DESCRIPTION	QTY
1	7K584	SUPPORT-WALK, LH, WELD	1
2	7K585	SUPPORT-WALK, RH, WELD	1
3	6K891	PLATFORM-WALK, 12 FT, WLDMNTM	1
4	7K533	TUBE	2
5	1-861-010032-21	WASHER, FLAT 3/4 W ZP/CD	2
6	1-512-010005-15	NUT, HEX SLFLKG GRB 3/4-10	2
7	1-654-010051-11	SCREW, HX CP 3/8-16 X 2-1/2 G5, ZP	2
8	1-512-010005-05	NUT, HEX, SLFLKG GRB 3/8-16	2
9	1-654-010059-03	SCREW, 5/8-11UNC X 1-1/2 HXCP, G5	2
10	1-512-010005-13	NUT, HEX SLFLKG GRB 5/8-11	6
11	169998	LINK ADJUSTABLE 16-3/8 NOM (SEE PAGE 1-74)	1
12	170000	LINK ADJUSTABLE 8-3/16 NOM (SEE PAGE 1-75)	2
13	111-2589-13	CLEVIS PIN, 1/2 DIA X 2.062	4
14	101386	PIN, COTTER 1/8 X 1	4
15	170002	BRACKET SEEDBOX SUPPORT (RIGHT SIDE)	1
16	169995	BRACKET SEEDBOX SUPPORT (LEFT SIDE)	1
17	1-654-010055-04	SCREW, HEX CAP, 1/2-13UNC X 1-3/4	2
18	1-861-010032-15	WASHER, FLAT 1/2W ZP/CD	4
19	1-654-010055-02	SCREW, HEX CAP, 1/2-13UNC X 1-1/4 GR5	2
20	1-861-010034-13	WASHER, LKG HLCL SPR, 1/2	4
21	1-512-010007-09	NUT, HEX 1/2-13 ZP	4
22	1-654-010059-05	SCREW, 5/8-11UNC X 2 HXCP, G5	4

Walk Board, 3-PT - 8FT, 10FT, (*12FT - AFTER 01/2026)

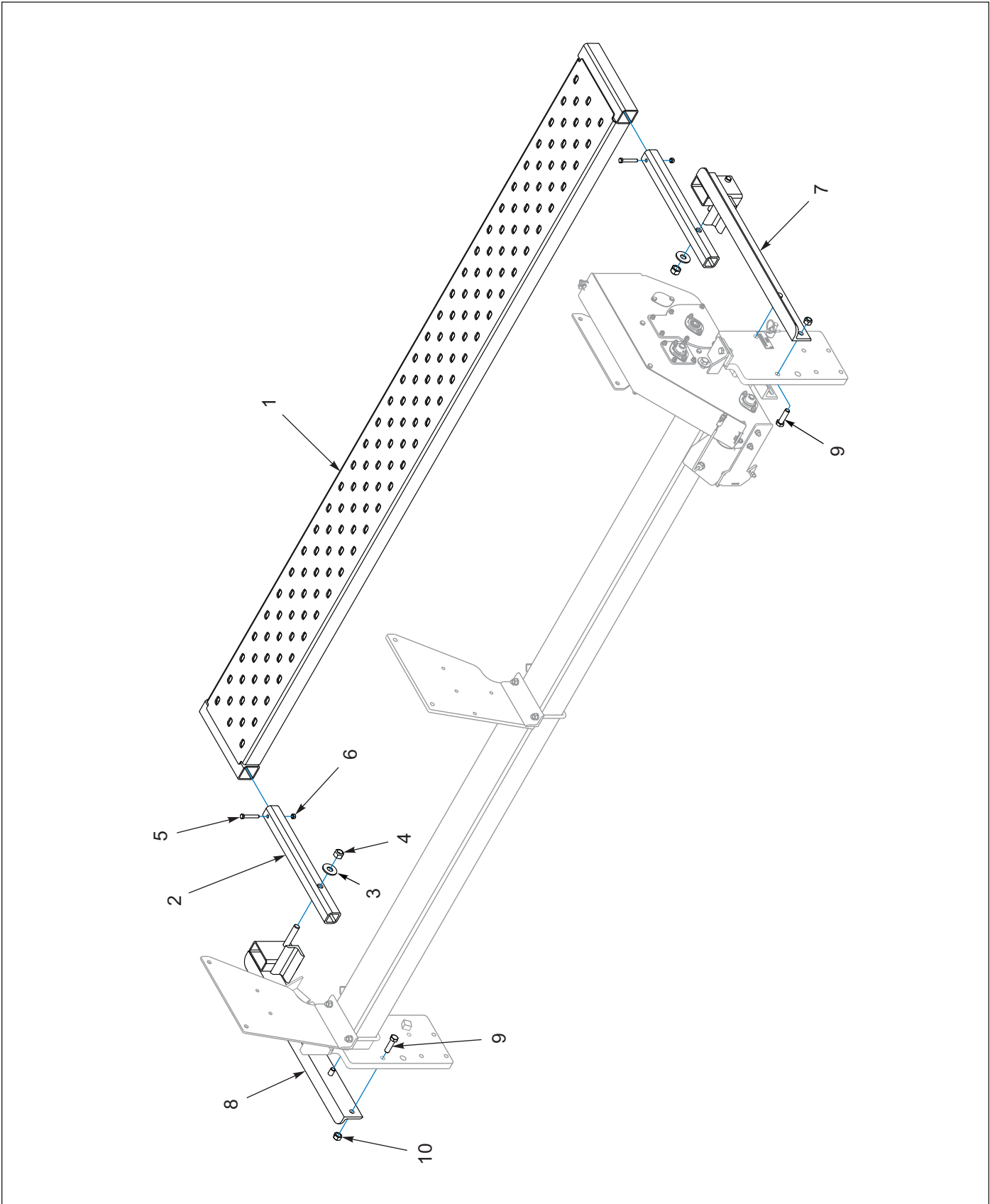


Figure 1-38: Walk Board, 3-PT - 8FT, 10FT, 12FT* (*12FT - AFTER 01/2026)

Walk Board, 3-PT - 8FT, 10FT, (*12FT - AFTER 01/2026)

ITEM	PART NUMBER	DESCRIPTION	QTY
1	6K889	PLATFORM, 8' WLDMT	1
1	6K890	PLATFORM, 10' WLDMT	1
1	6K891	PLATFORM-WALK, 12 FT, WLDMNT	1
2	7K533	TUBE	2
3	1-861-010032-21	WASHER, FLAT 3/4 W, ZP/CD	2
4	1-512-010005-15	NUT, HEX, SLFLKG GRB 3/4-10	2
5	1-654-010051-11	SCREW, HX CP 3/8-16 X 2-1/2 G5, ZP	2
6	1-512-010005-05	NUT, HEX, SLFLKG GRB 3/8-16	2
7	7K528	LEFT SUPPORT	1
8	7K529	RIGHT SUPPORT	1
9	1-654-010059-06	SCREW. HEX CAP 5/8-11 X 2-1/4, G5	2
10	1-512-010005-13	NUT, HEX SLFLKG GRB 5/8-11	4

Walk Board, 3-PT - 12FT (BEFORE 01/2026)

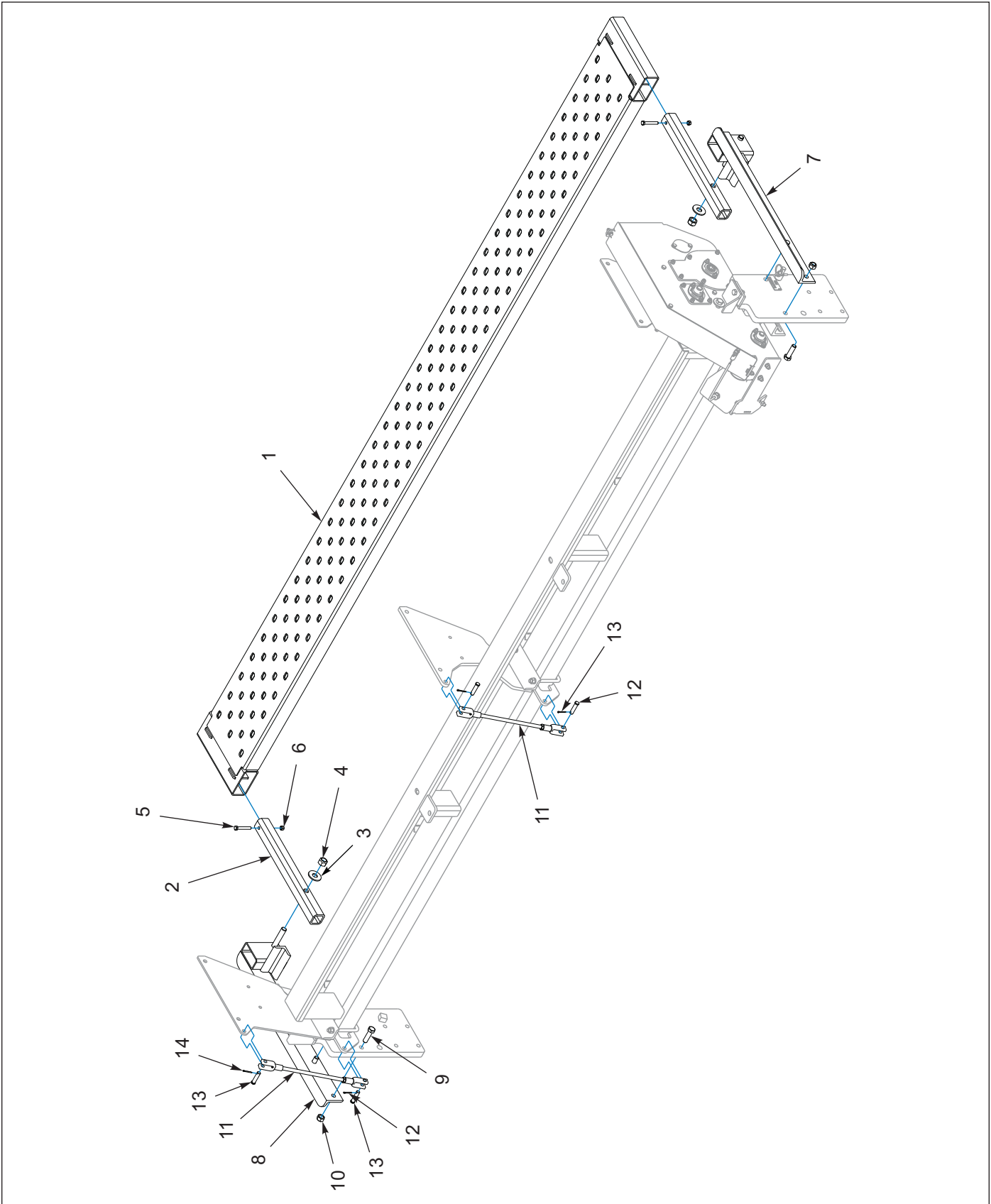


Figure 1-39: Walk Board, 3-PT - 12FT (BEFORE 01/2026)

Walk Board, 3-PT - 12FT (BEFORE 01/2026)

ITEM	PART NUMBER	DESCRIPTION	QTY
1	6K891	12' PLATFORM	1
2	7K533	TUBE	2
3	1-861-010032-21	WASHER, FLAT 3/4 W, ZP/CD	2
4	1-512-010005-15	NUT, HEX, SLFLKG GRB 3/4-10	2
5	1-654-010051-11	SCREW, HX CP 3/8-16 X 2-1/2 G5, ZP	2
6	1-512-010005-05	NUT, HEX, SLFLKG GRB 3/8-16	2
7	7K528	LEFT SUPPORT	1
8	7K529	RIGHT SUPPORT	1
9	1-654-010059-06	SCREW. HEX CAP 5/8-11 X 2-1/4, G5	4
10	1-512-010005-13	NUT, HEX SLFLKG GRB 5/8-11	4
11	169998	LINK ADJUSTABLE 16-3/8 NOM (SEE PAGE 1-74)	2
12	111-2589-13	CLEVIS PIN, 1/2 DIA X 2.062	4
13	101386	PIN, COTTER 1/8 X 1	4

Adjustable Link, Long

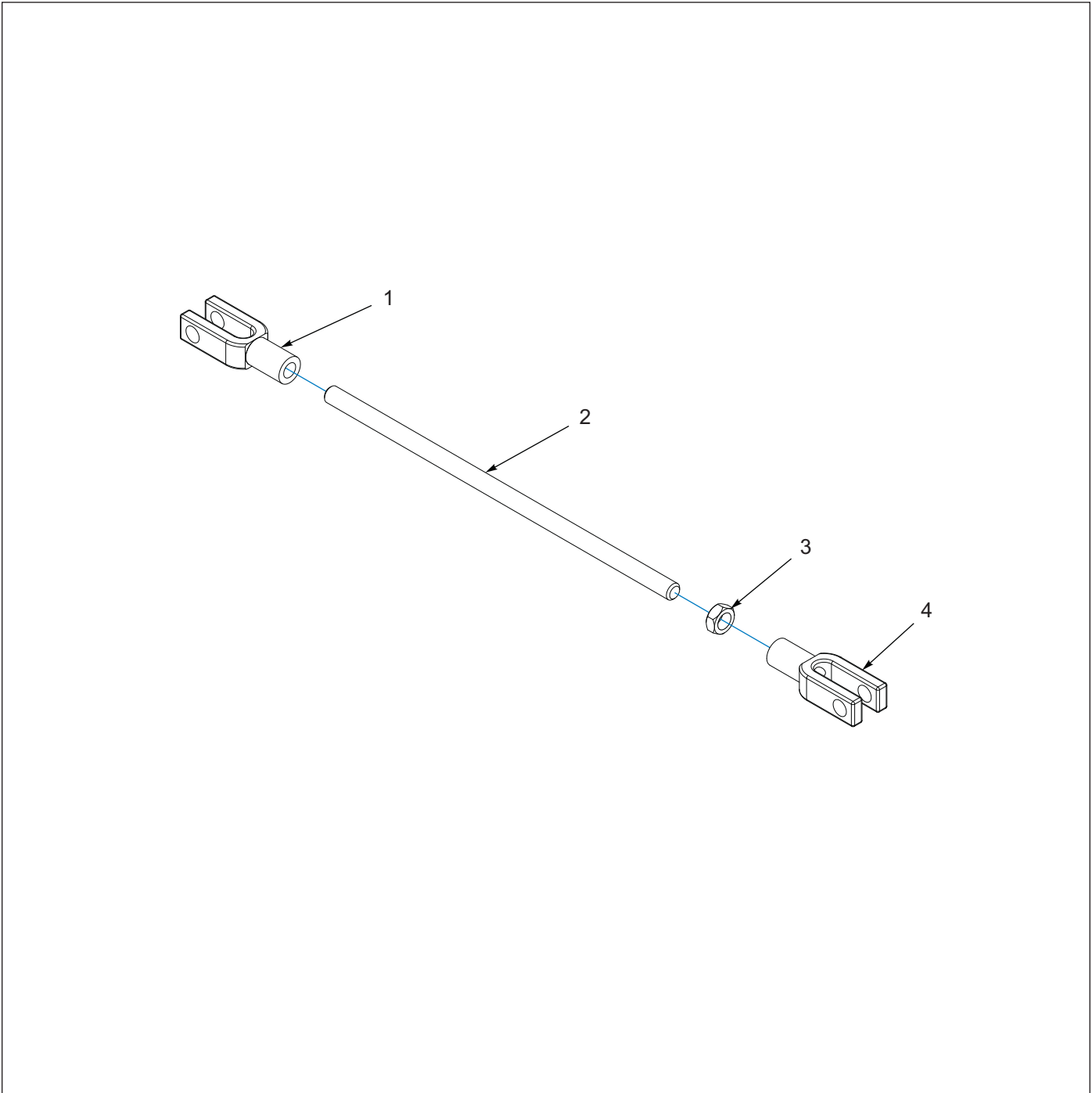


Figure 1-40: Adjustable Link, Long

Adjustable Link, Long

ITEM	PART NUMBER	DESCRIPTION	QTY
	169998	LINK ADJUSTABLE 16-3/8 NOM	1
1	169997	YOKE LH 1/2-20 X 1/2 PIN	1
2	169996	ROD 1/2 LH-RH THREAD	1
3	1-511-010002-05	NUT, HEX JAM, 1/2-20UNF, GR2	1
4	5K725	ROD END	1

Adjustable Link, Short

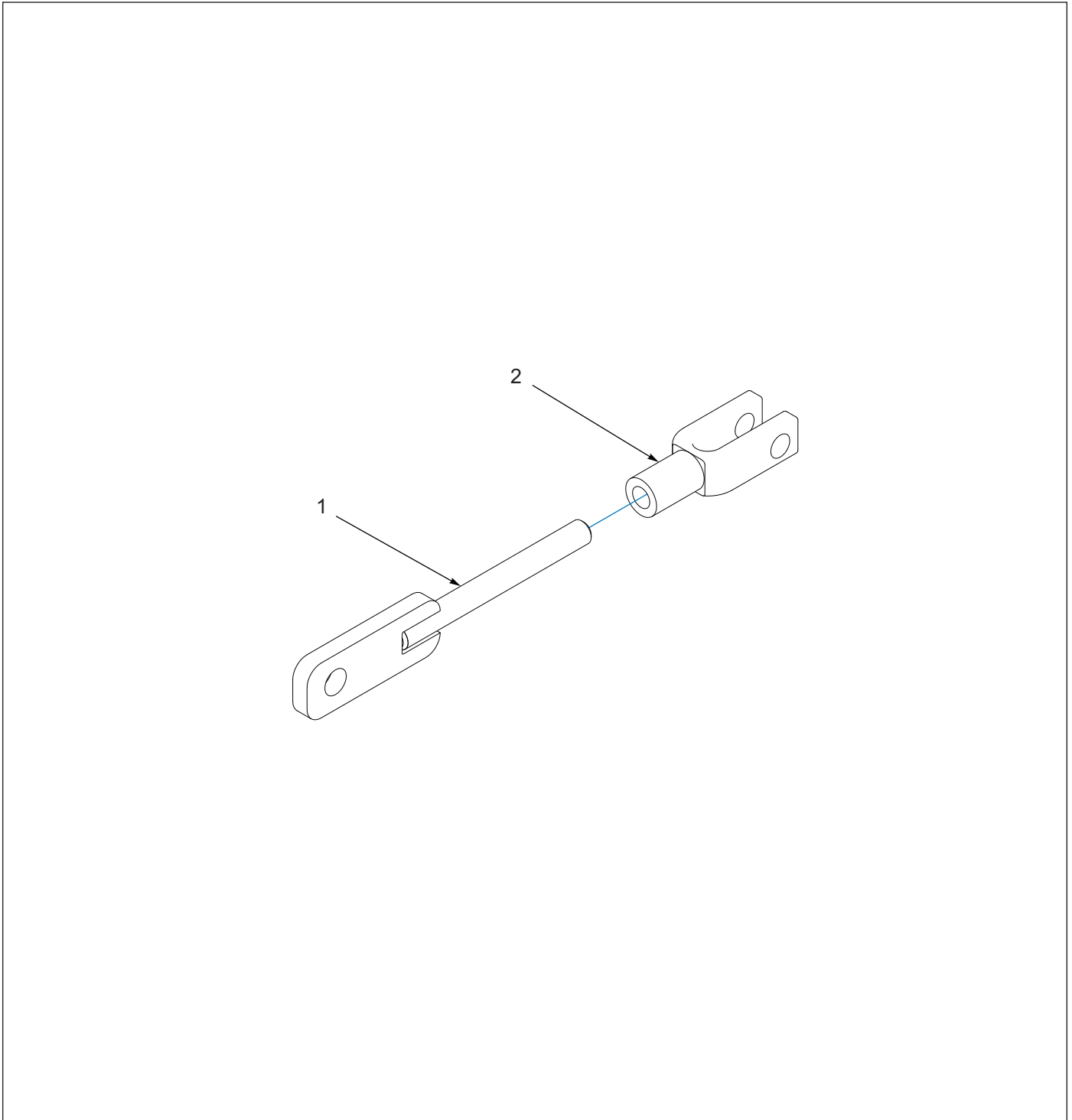


Figure 1-41: Adjustable Link, Short

Adjustable Link, Short

ITEM	PART NUMBER	DESCRIPTION	QTY
	170000	LINK ADJUSTABLE 8-3/16 NOM	1
1	170003	LINK WELDED ROD	1
2	5K725	ROD END	1

Front Seed Box, Single Box Mount Brackets (AFTER 01/2026)

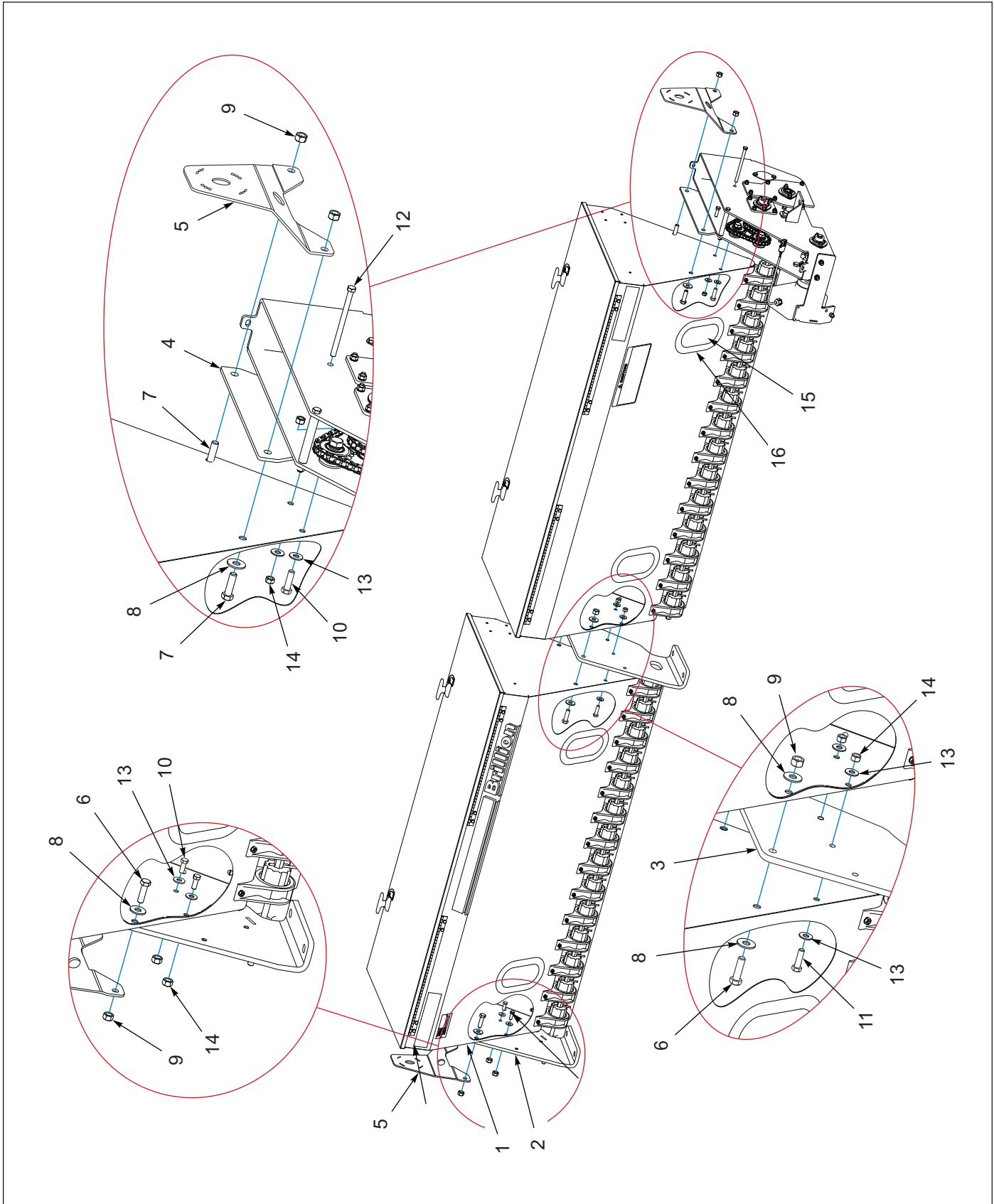


Figure 1-42: Front Seed Box, Single Box Mount Brackets (AFTER 01/2026)

Front Seed Box, Single Box Mount Brackets (AFTER 01/2026)

ITEM	PART NUMBER	DESCRIPTION	QTY			
			8'	10'	12'	12' 3-PT
		MODELS	8'	10'	12'	12' 3-PT
1	9K496	SEEDBOX, LARGE 4'	2	--	--	--
1	9K494	SEEDBOX, LARGE 5'	--	2	--	--
1	9K412	SEEDBOX, LARGE 6'	--	--	2	2
2	247366	PLATE-SUPPORT, END, WELDMENT	1	1	1	1
3	247354	PLATE-SUPPORT, CENTER	1	1	1	1
4	222836	PLATE-MOUNT, HOPPER	1	1	1	1
5	247419	BRACKET-MOUNT, LIGHT	2	2	2	2
6	1-654-010055-04	SCREW, HEX CAP 1/2-13UNC X 1-3/4	4	4	4	4
7	1-654-010055-03	SCREW,HEX CAP,1/2-13UNCX1-1/2	2	2	2	2
8	1-861-010032-15	WASHER, FLAT 1/2 W, ZP/CD	8	8	8	--
8	1-861-010032-14	WASHER, FLAT 1/2" N ZP/CD	--	--	--	8
9	1-512-010005-09	NUT,HEX,SLFLKG, 1/2-13 GRB	6	6	6	6
10	1-654-010051-06	SCREW, HEX CAP 3/8-16UNC X 1-1/4	3	3	3	3
11	1-654-010051-07	SCREW, HEX CAP, 3/8-16UNC X 1-1/2	2	2	2	2
12	139603	SCREW, HEX CAP 3/8-16UNC X 5-1/2	1	1	1	1
13	1-861-010032-10	WASHER, FLAT 3/8" N ZP/CD	8	8	8	8
14	1-512-010005-05	NUT, HEX, SLFLKG GRB 3/8-16	5	5	5	5
15	9K426	WINDOW, SIGHT	4	4	4	4
16	9K427	GASKET, ONE-PIECE	4	4	4	4

Front Seed Box, Single Box Mount Brackets (BEFORE 01/2026)

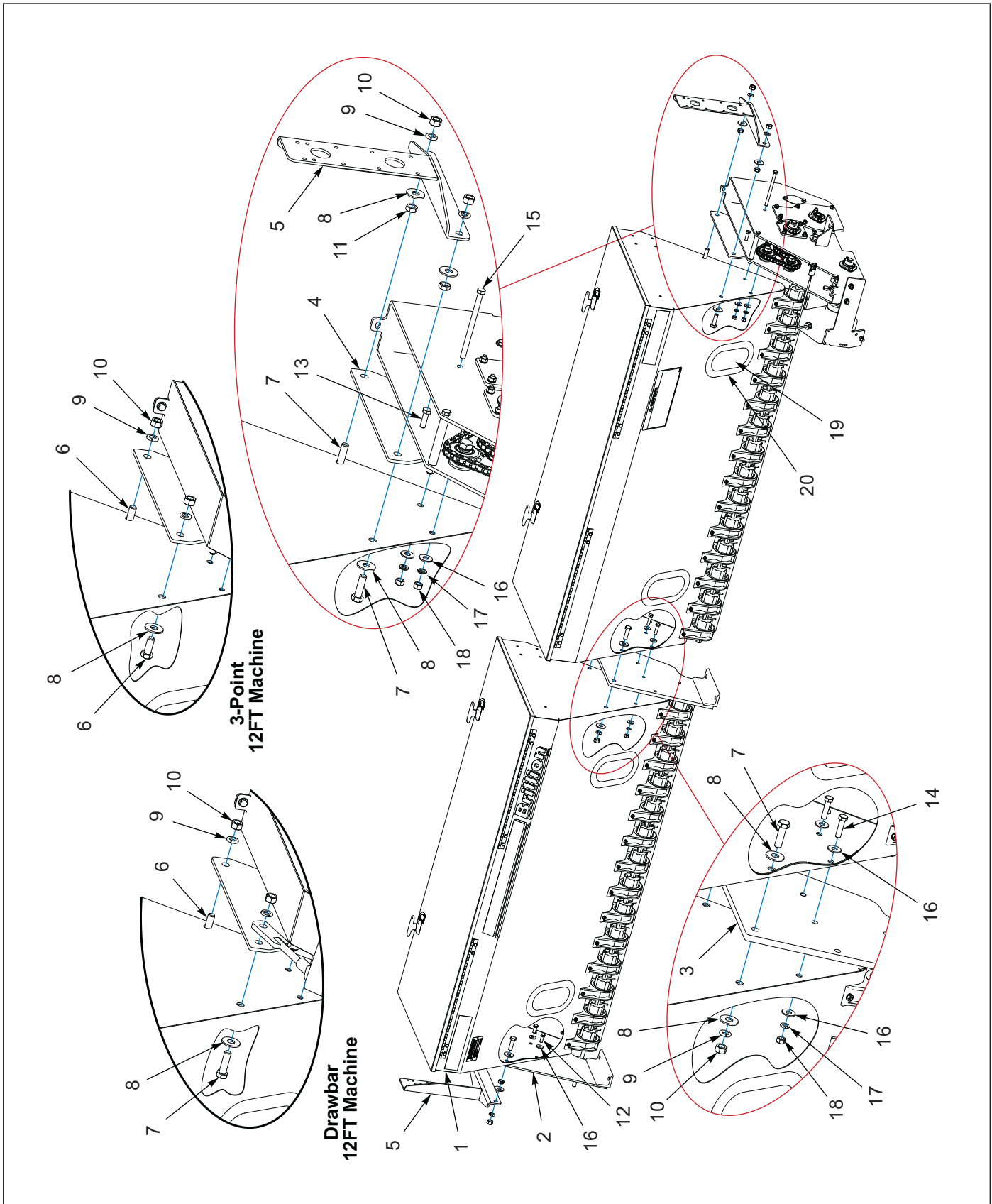


Figure 1-43: Front Seed Box, Single Box Mount Brackets (BEFORE 01/2026)

Front Seed Box, Single Box Mount Brackets (BEFORE 01/2026)

ITEM	PART NUMBER	DESCRIPTION	QTY			
			8'	10'	12'	12' 3-PT
		MODELS	8'	10'	12'	12' 3-PT
1	9K496	SEEDBOX, LARGE 4'	2	--	--	--
1	9K494	SEEDBOX, LARGE 5'	--	2	--	--
1	9K412	SEEDBOX, LARGE 6'	--	--	2	2
2	5K972	SUPPORT, RH	1	1	1	--
2	170008	MOUNT, RH SEEDBOX (12' 3-PT MODEL)	--	--	--	1
3	6K939	CENTER BRACKET	--	--	1	1
3	5K243	CENTER BRACKET	1	1	--	--
4	222836	MOUNT PLATE (AFTER 01/2020)	1	1	1	1
4	5K244	MOUNT PLATE (BEFORE 01/2020)	1	1	1	1
5	9K743	BRACKET, LIGHT WLD	2	2	--	--
6	1-654-010055-02	SCREW, HEX CAP 1/2-13UNC X 1-1/4 (12FT)	--	--	2	4
7	1-654-010055-04	SCREW, HEX CAP 1/2-13UNC X 1-3/4	6	6	4	2
8	1-861-010032-15	WASHER, FLAT 1/2 W, ZP/CD	12	12	8	8
9	1-861-010034-13	WASHER, LKG HLCL SPR, 1/2	6	6	6	6
10	1-512-010007-09	NUT, HEX 1/2-13, ZP	6	6	6	6
11	1-511-010001-05	NUT, HEX JAM 1/2-13	4	4	--	--
12	1-654-010051-05	SCREW, HEX CAP 3/8-16UNC X 1	2	2	2	2
13	1-654-010051-06	SCREW, HEX CAP 3/8-16UNC X 1-1/4	1	1	1	1
14	1-654-010051-07	SCREW, HEX CAP, 3/8-16UNC X 1-1/2	2	2	2	2
15	139603	SCREW, HEX CAP 3/8-16UNC X 5-1/2	1	1	1	1
16	1-861-010032-11	WASHER, FLAT 3/8 W, ZP/CD	8	8	8	8
17	1-861-010034-11	WASHER, LKG HLCL SPR, 3/8	6	6	6	6
18	1-512-010007-07	NUT, HEX 3/8-16, ZP	6	6	6	6
19	9K426	WINDOW, SIGHT	4	4	4	4
20	9K427	GASKET, ONE-PIECE	4	4	4	4

Front Seed Box Assembly

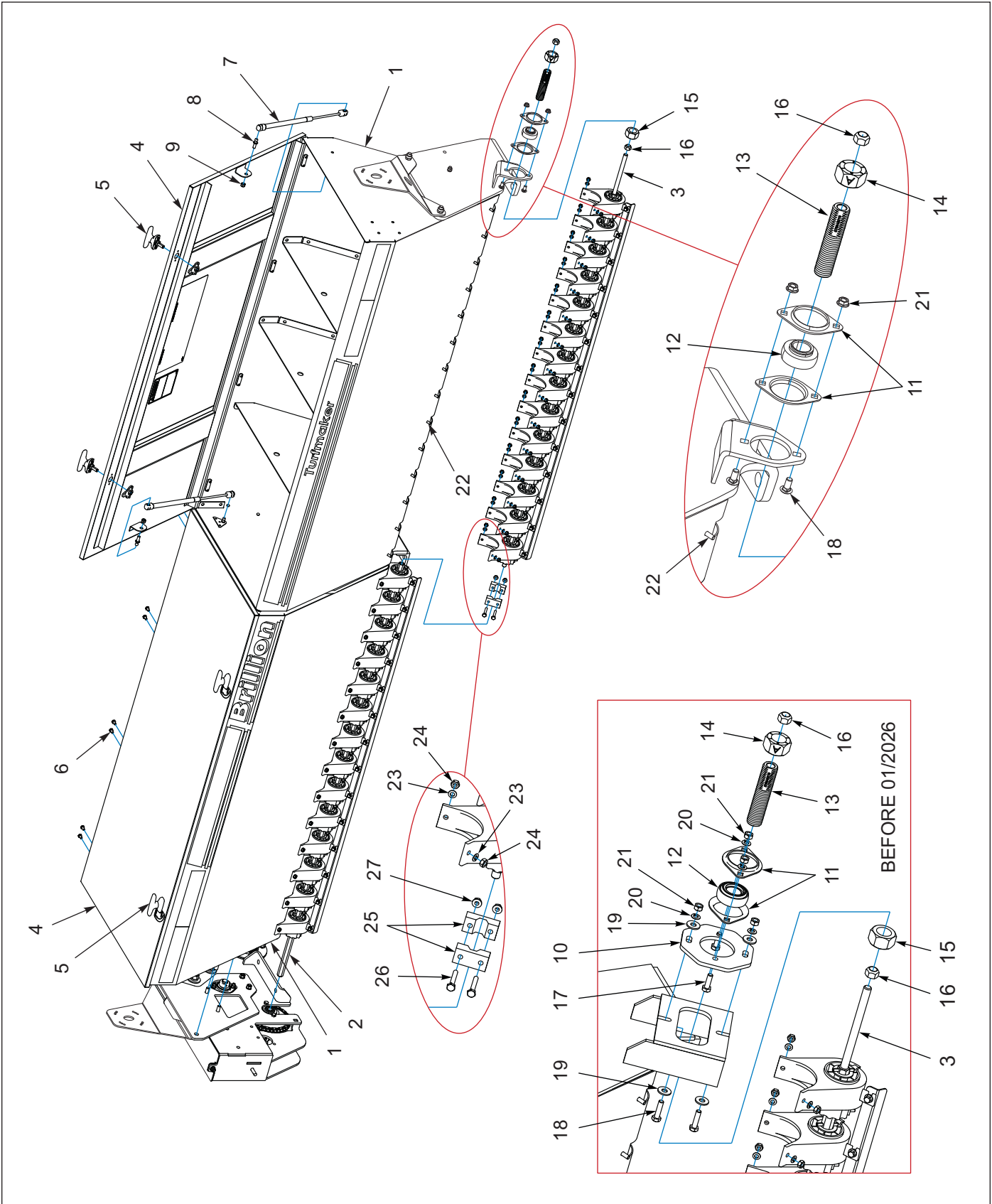


Figure 1-44: Front Seed Box Assembly

Front Seed Box Assembly

ITEM	PART NUMBER	DESCRIPTION	QTY		
			8'	10'	12'
		MODELS	8'	10'	12'
1	9K496	SEEDBOX, LARGE 4'	2	--	--
1	9K494	SEEDBOX, LARGE 5'	--	2	--
1	9K412	SEEDBOX, LARGE 6'	--	--	2
2	5K317	SEED SHAFT ASSEMBLY, LH 4' (SEE PAGE 1-82)	1	--	--
2	5K313	SEED SHAFT ASSEMBLY, LH 5' (SEE PAGE 1-82)	--	1	--
2	5K207	SEED SHAFT ASSEMBLY, LH 6' (SEE PAGE 1-82)	--	--	1
3	5K318	SEED SHAFT ASSEMBLY, RH 4' (SEE PAGE 1-83)	1	--	--
3	5K314	SEED SHAFT ASSEMBLY, RH 5' (SEE PAGE 1-83)	--	1	--
3	5K208	SEED SHAFT ASSEMBLY, RH 6' (SEE PAGE 1-83)	--	--	1
4	9K497	COVER, LARGE 4'	2	--	--
4	9K495	COVER, LARGE 5'	--	2	--
4	9K413	COVER, LARGE 6'	--	--	2
5	9K424	LATCH, T-HANDLE	4	4	4
6	104877	HHCS, 1/4-20 X 1/2	12	16	16
7	9K416	GAS SPRING, 60#	4	4	4
8	9K425	BALL STUD, 10MM 5/16-18-3/4	4	4	4
9	104032	NUT, HX SLF-LKG W/MYL 5/16-18	4	4	4
10	5K968	BEARING CARRIER	1	1	1
11	1D617	FLANGETTE HALF, 52MM	2	2	2
12	238886	BEARING 1" (AFTER 01/2024)	1	1	1
12	4D413	BEARING (1") (OBSOLETE AFTER 01/2024, REPLACE WITH 238886)	1	1	1
13	9J433	ADJUSTING SCREW	1	1	1
14	4D402	SEED RATE AJ. NUT	1	1	1
15	1-512-010007-14	NUT, HEX 1-8 GR2, ZP	1	1	1
16	1-512-010005-09	NUT, HEX SLFLKG 1/2-13 GRB	2	2	2
17	1-654-010049-05	SCREW HX CP 5/16-18UNC X 1, GR5	2	2	2
18	105909	SCREW, RDHD, SQNCK, 5/16-18X3/4 (AFTER 01/2026)	2	2	2
18	1-654-010049-06	SCREW, H/CAP, 5/16-18UNC X 1-1/4 (BEFORE 01/2026)	2	2	2
19	1-861-010032-09	WASHER, FLAT 5/16 W ZP/CD	4	4	4
20	1-861-010034-10	WASHER, LKG 5/16	4	4	4
21	126561	NUT, FLG HD, SERRATED, 5/16-18ZP (AFTER 01/2026)	2	2	2
21	1-512-010007-06	NUT, HEX 5/16-18 (BEFORE 01/2026)	4	4	4
22	108213	SCREW, RD HD MACH, 1/4-20 X 5/8	44	56	68
23	1-861-010034-09	WASHER, LKG HLCL SPR, 1/4	66	84	102
24	1-512-010007-05	NUT, HEX 1/4-20	66	84	102
25	5K157	CLAMP HALF	2	2	2
26	1-654-010047-09	SCREW, HX CP, 1/4-20 X 1-3/4	2	2	2
27	108417	NUT SPIRAL 1/4-20HX FG	2	2	2

Seed Shaft Assembly, Left Hand

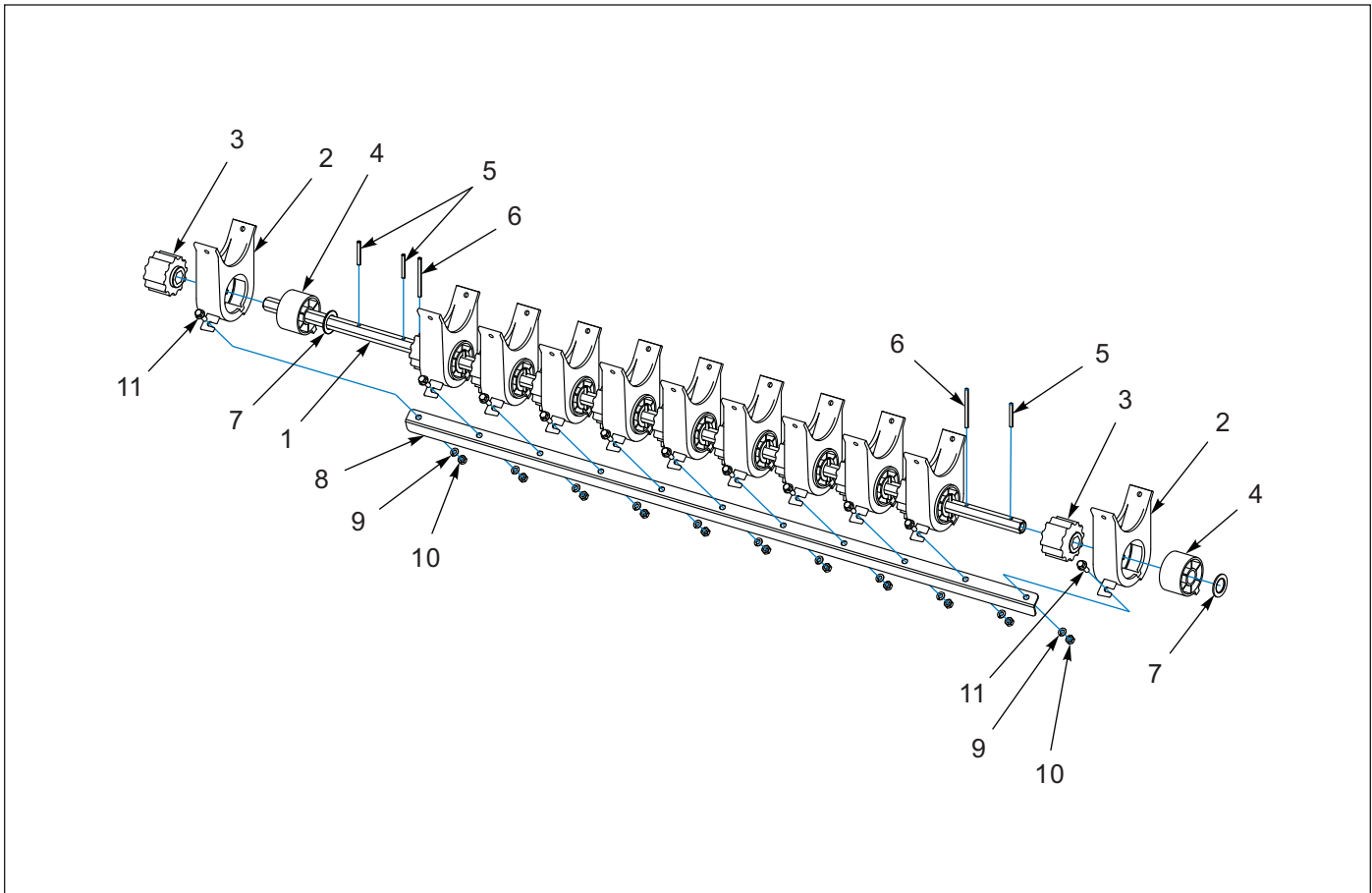


Figure 1-45: Seed Shaft Assembly, Left Hand

Seed Shaft Assembly, Left Hand

ITEM	PART NUMBER	DESCRIPTION	QTY		
			8'	10'	12'
		MODELS	8'	10'	12'
	5K317	LH SEED SHAFT ASSEMBLY - 4'	1	--	--
	5K313	LH SEED SHAFT ASSEMBLY - 5'	--	1	--
	5K207	LH SEED SHAFT ASSEMBLY - 6'	--	--	1
1	5K315	LH SEED SHAFT - 4'	1	--	--
1	5K311	LH SEED SHAFT - 5'	--	1	--
1	5K155	LH SEED SHAFT - 6'	--	--	1
2	5K141	SEED CUP	11	14	17
3	5K143	FEED ROLL	11	14	17
4	5K144	FEED CUT-OFF	11	14	17
5	1-647-010004177	PIN, SPRING SLTD 3/16 X 1-1/2	11	15	18
6	2C733	PIN ROLL 3/16 X 2-1/2	11	13	16
7	7D759	MACHINERY BUSHING	11	14	17
8	7K659	4' SEED CUP STABILIZER	1	--	--
8	7K658	5' SEED CUP STABILIZER	--	1	--
8	7K591	6' SEED CUP STABILIZER	--	--	1
9	1-861-010034-09	WASHER LKG, HLCL SPR, 1/4	11	14	17
10	1-512-010007-05	NUT, HEX 1/4-20 GR2, ZP	11	14	17
11	9K228	FHHCS 1/4-20 X 3/4 GR5 BLKPLT	11	14	17

Seed Shaft Assembly, Right Hand

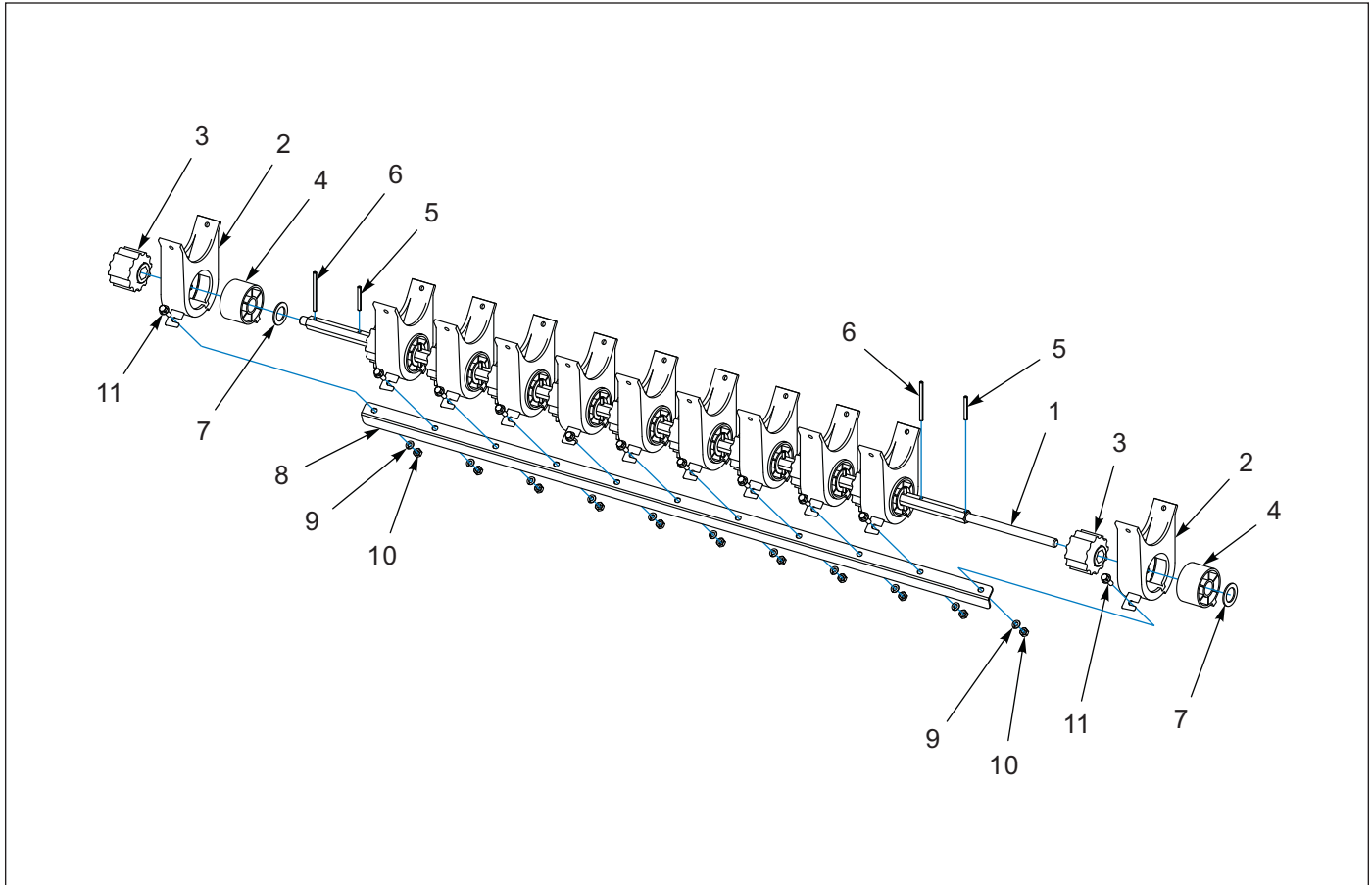


Figure 1-46: Seed Shaft Assembly, Right Hand

Seed Shaft Assembly, Right Hand

ITEM	PART NUMBER	DESCRIPTION	QTY		
			8'	10'	12'
		MODELS	8'	10'	12'
	5K318	RH SEED SHAFT ASSEMBLY - 4'	1	--	--
	5K314	RH SEED SHAFT ASSEMBLY - 5'	--	1	--
	5K208	RH SEED SHAFT ASSEMBLY - 6'	--	--	1
1	5K316	RH SEED SHAFT - 4'	1	--	--
1	5K312	RH SEED SHAFT - 5'	--	1	--
1	5K155	RH SEED SHAFT - 6'	--	--	1
2	5K141	SEED CUP	11	14	17
3	5K143	FEED ROLL	11	14	17
4	5K144	FEED CUT-OFF	11	14	17
5	1-647-010004177	PIN, SPRING SLTD 3/16 X 1-1/2	11	14	17
6	2C733	PIN ROLL 3/16 X 2-1/2	11	14	17
7	7D759	MACHINERY BUSHING	11	14	17
8	7K659	4' SEED CUP STABILIZER	1	--	--
8	7K658	5' SEED CUP STABILIZER	--	1	--
8	7K591	6' SEED CUP STABILIZER	--	--	1
9	1-861-010034-09	WASHER LKG, HLCL SPR, 1/4	11	14	17
10	1-512-010007-05	NUT, HEX 1/4-20 GR2, ZP	11	14	17
11	9K228	FHHCS 1/4-20 X 3/4 GR5 BLKPLT	11	14	17

Rear Seed Box, Double Box Mounting Brackets

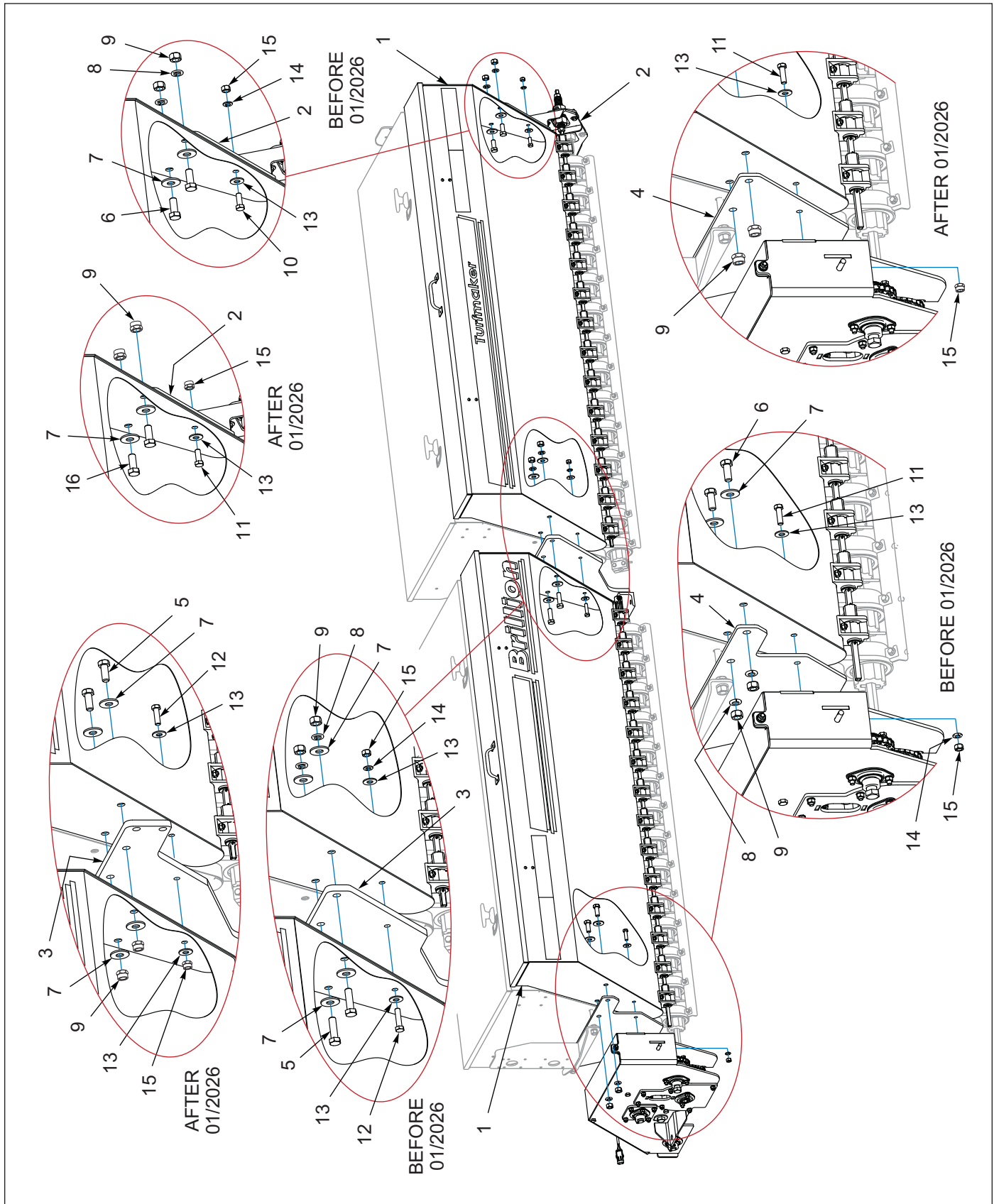


Figure 1-47: Rear Seed Box, Double Box Mounting Brackets

Rear Seed Box, Double Box Mounting Brackets

ITEM	PART NUMBER	DESCRIPTION	QTY
1	5K289	REAR SEEDBOX - 4'	2
1	5K290	REAR SEEDBOX - 5'	2
1	5K218	SMALL SEEDBOX - 6'	2
2	247392	PLATE-SUPPORT, END (DOUBLE BOX RH) (AFTER 01/2026)	1
2	5K970	BRACKET, DOUBLE BOX RH	1
2	180642	BRACKET, DOUBLE BOX RH (12FT 3PT MODEL ONLY)	1
3	247391	PLATE-SUPPORT, CENTER (AFTER 01/2026)	1
3	6K859	CENTER BRACKET (8FT AND 10FT) (BEFORE 01/2026)	1
3	6K937	CENTER BRACKET (12FT) (BEFORE 01/2026)	1
4	224168	MOUNT PLATE (AFTER 01/2020)	1
4	5K238	MOUNT PLATE (BEFORE 01/2020)	1
5	1-654-010055-04	SCREW, HEX CAP 1/2-13UNC X 1-3/4	2
6	1-654-010055-02	SCREW, 1/2-13UNC X 1-1/4 CP GR5	4
7	1-861-010032-15	WASHER, FLAT 1/2 W ZP/CD	8
8	1-861-010034-13	WASHER, LKG HLCL SPR, 1/2	6
9	1-512-010005-09	NUT,HEX,SLFLKG, 1/2-13 GRB (AFTER 01/2026)	6
9	1-512-010007-09	NUT, HEX 1/2-13, ZP (BEFORE 01/2026)	6
10	1-654-010051-05	SCREW, HEX CAP, 3/8-16UNC X 1, GR5	--
11	1-654-010051-06	SCREW, HEX CAP 3/8-16UNC X 1-1/4	--
12	1-654-010051-07	SCREW, HEX CAP, 3/8-16UNC X 1-1/2	1
13	1-861-010032-10	WASHER, FLAT 3/8" N ZP/CD (AFTER 01/2026)	4
13	1-861-010032-11	WASHER, FLAT 3/8 W ZP/CD (BEFORE 01/2026)	4
14	1-861-010034-11	WASHER, LKG HLCL SPR, 3/8	3
15	1-512-010005-05	NUT, HEX, SLFLKG GRB 3/8-16 (AFTER 01/2026)	3
15	1-512-010007-07	NUT, HEX 3/8-16, ZP (BEFORE 01/2026)	3
16	1-654-010055-03	SCREW,HEX CAP,1/2-13UNCX1-1/2	2

Rear Seed Box Assembly

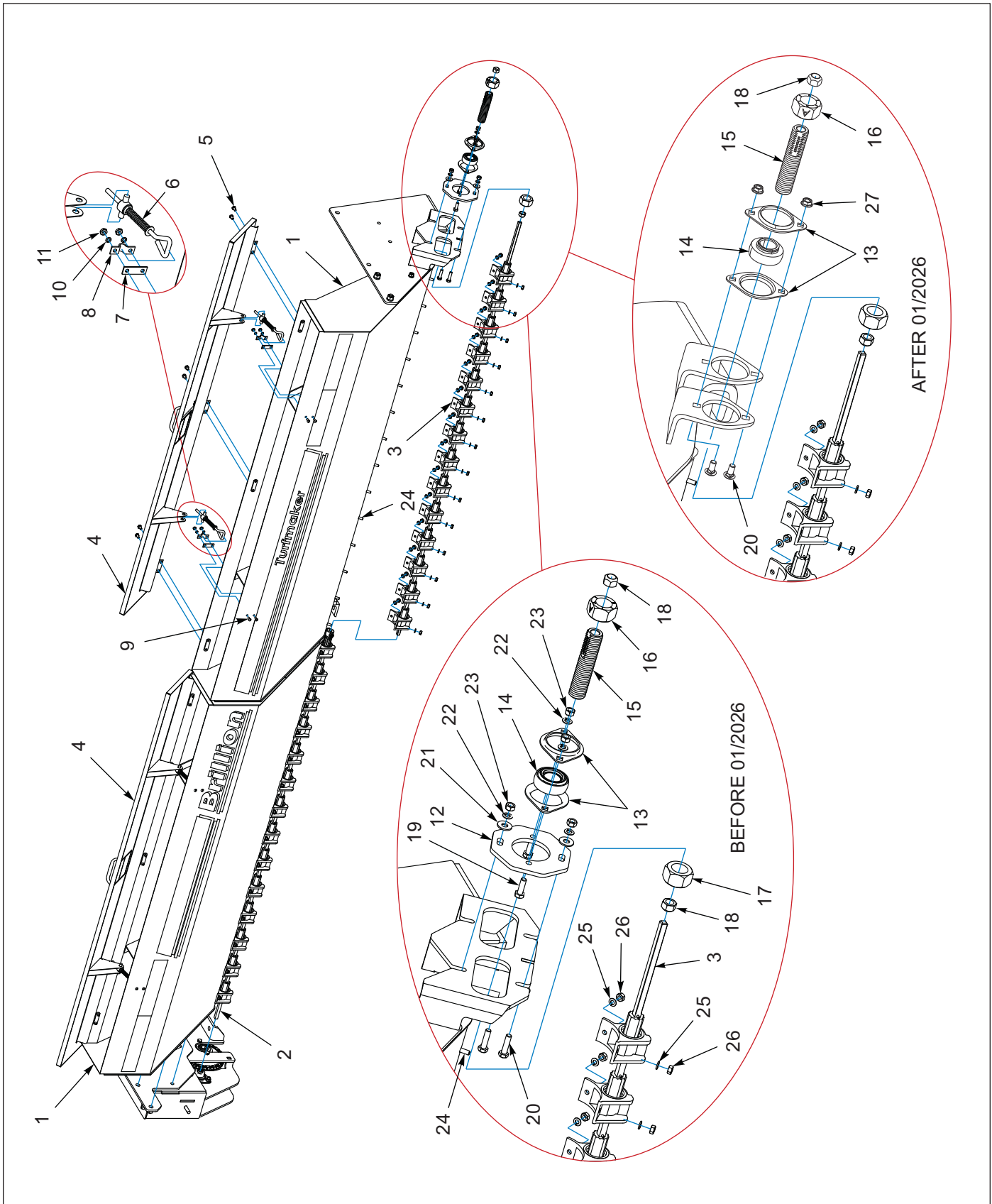


Figure 1-48: Rear Seed Box Assembly

Rear Seed Box Assembly

ITEM	PART NUMBER	DESCRIPTION	QTY		
			8'	10'	12'
		MODELS	8'	10'	12'
1	5K289	SMALL SEEDBOX ASSEMBLY - 4'	2	--	--
1	5K290	SMALL SEEDBOX ASSEMBLY - 5'	--	2	--
1	5K218	SMALL SEEDBOX ASSEMBLY - 6'	--	--	2
2	5K297	LH SEED SHAFT ASSEMBLY 4' (SEE PAGE 1-88)	1	--	--
2	5K303	LH SEED SHAFT ASSEMBLY - 5' (SEE PAGE 1-88)	--	1	--
2	5K205	LH SEED SHAFT ASSEMBLY - 6' (SEE PAGE 1-88)	--	--	1
3	5K298	RH SEED SHAFT ASSEMBLY 4' (SEE PAGE 1-83)	1	--	--
3	5K304	RH SEED SHAFT ASSEMBLY - 5' (SEE PAGE 1-83)	--	1	--
3	5K206	RH SEED SHAFT ASSEMBLY - 6' (SEE PAGE 1-83)	--	--	1
4	1K023	COVER, 4'	2	--	--
4	9J415	COVER, 5'	--	2	--
4	2K453	COVER, 6'	--	--	2
5	104877	SCREW, HX CP, 1/4-20UNC X 1/2, GR5	12	12	12
6	1C199	COVER LOCK ASSEMBLY (SEE PAGE 1-90)	4	4	4
7	7D937	WEAR STRIP	4	4	4
8	7D938	COVER LOCK CLIP	4	4	4
9	1C213	STOVE BOLT #10-24 X 1/2 RD HD, ZP	8	8	8
10	1-861-010034-07	WASHER, LKG, HLCL SPR, NO 10	8	8	8
11	1-512-010007-03	NUT, HEX 10-24	8	8	8
12	5K968	BEARING CARRIER (BEF. 01/2026)	1	1	1
13	1D617	FLANGETTE HALF, 52MM	2	2	2
14	4D413	BEARING, 1" BORE	1	1	1
15	4D401	ADJUSTING SCREW	1	1	1
16	4D402	SEED RATE ADJUSTING NUT	1	1	1
17	1-512-010007-14	NUT, HEX 1-8	1	1	1
18	1-512-010005-09	NUT, HEX, SLFLKG, 1/2-13 GRB	2	2	2
19	1-654-010049-05	SCREW, HXCP 5/16-18UNC X 1 GR5 (BEF. 01/2026)	2	2	2
20	105909	SCREW, RDHD, SQNCK, 5/16-18X3/4 (AFT. 01/2026)	2	2	2
20	1-654-010049-06	SCREW, HXCP 5/16-18UNC X 1-1/4 GR5 (BEF. 01/2026)	2	2	2
21	1-861-010032-09	WASHER, FLAT 5/16 ZP/CD (BEF. 01/2026)	4	4	4
22	1-861-010034-10	WASHER, LKG 5/16 (BEF. 01/2026)	4	4	4
23	1-512-010007-06	NUT, HEX 5/16-18 (BEF. 01/2026)	4	4	4
24	108213	SCREW, RD HD MACH 1/4-20 X 5/8	44	56	68
25	1-861-010034-09	WASHER, LKG HLCL SPR, 1/4	44	56	68
26	1-512-010007-05	NUT, HEX 1/4-20	44	56	68
27	126561	NUT, FLG HD, SERRATED, 5/16-18ZP (AFT. 01/2026)	4	4	4

Seed Shaft Assembly, Left Hand

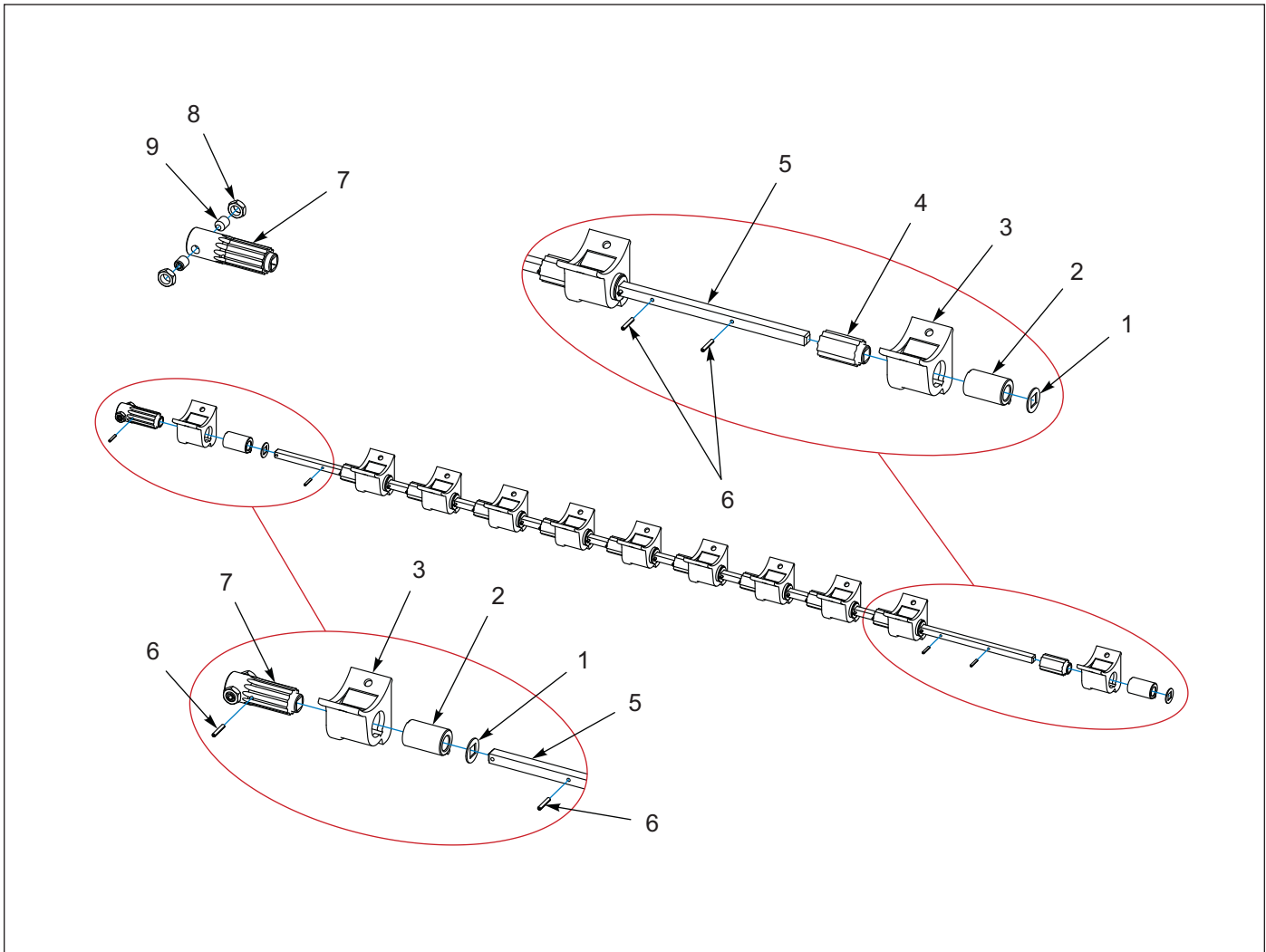


Figure 1-49: Seed Shaft Assembly, Left Hand

Seed Shaft Assembly, Left Hand

ITEM	PART NUMBER	DESCRIPTION	QTY		
			8'	10'	12'
MODELS			8'	10'	12'
	5K297	LH SEED SHAFT ASSEMBLY - 4'	1	--	--
	5K303	LH SEED SHAFT ASSEMBLY - 5'	--	1	--
	5K205	LH SEED SHAFT ASSEMBLY - 6'	--	--	1
1	1C245	CUTOFF WASHER	11	14	17
2	155871	METER, FEED CUT OFF	11	14	17
3	155872	METER, PLASTIC CUP	11	14	17
4	155873	METER, FEED ROLL	10	13	16
5	5K295	LH SEED SHAFT - 4'	1	--	--
5	5K301	LH SEED SHAFT - 5'	--	1	--
5	5K202	LH SEED SHAFT - 6'	--	--	1
6	1C272	ROLL PIN, 1/8 X 3/4	22	28	34
7	1K138	FEED ROLL COUPLING ASM (INCLUDES ITEMS 8 AND 9)	1	1	1
8	1-511-010001-03	NUT, 3/8-16 HEX JAM	2	2	2
9	122709	SET SCREW, 3/8-16 X 1-1/2	2	2	2

Seed Shaft Assembly, Right Hand

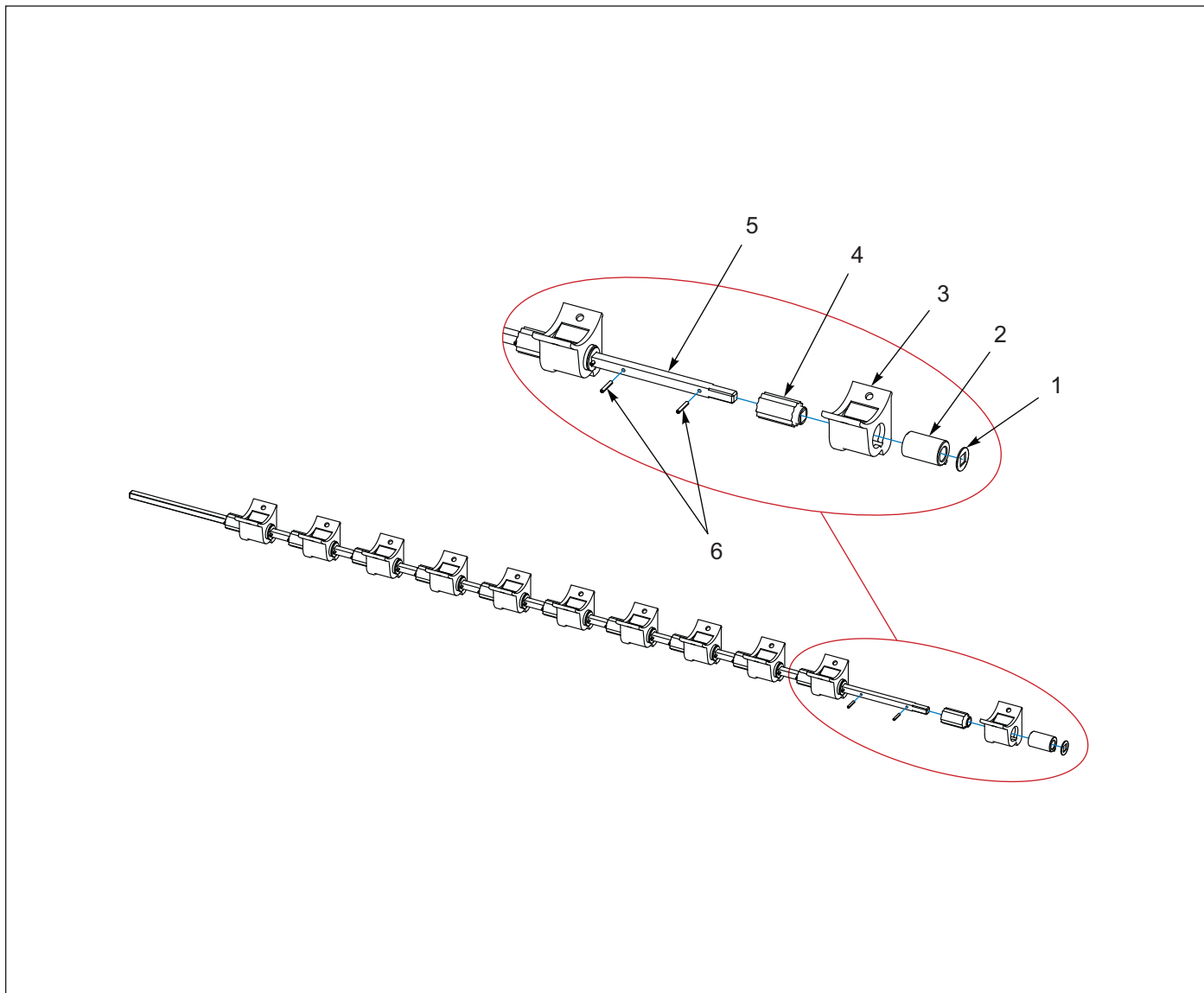


Figure 1-50: Seed Shaft Assembly, Right Hand

Seed Shaft Assembly, Right Hand

ITEM	PART NUMBER	DESCRIPTION	QTY		
			8'	10'	12'
		MODELS			
	5K298	RH SEED SHAFT ASSEMBLY - 4'	1	--	--
	5K304	RH SEED SHAFT ASSEMBLY - 5'	--	1	--
	5K206	RH SEED SHAFT ASSEMBLY - 6'	--	--	1
1	1C245	CUTOFF WASHER	11	14	17
2	155871	METER, FEED CUT OFF	11	14	17
3	155872	METER, PLASTIC CUP	11	14	17
4	155873	METER, FEED ROLL	11	14	17
5	5K296	RH SEED SHAFT - 4'	1	--	--
5	5K302	RH SEED SHAFT - 5'	--	1	--
5	5K203	RH SEED SHAFT - 6'	--	--	1
6	1C272	ROLL PIN, 1/8 X 3/4	22	28	34

Cover Lock

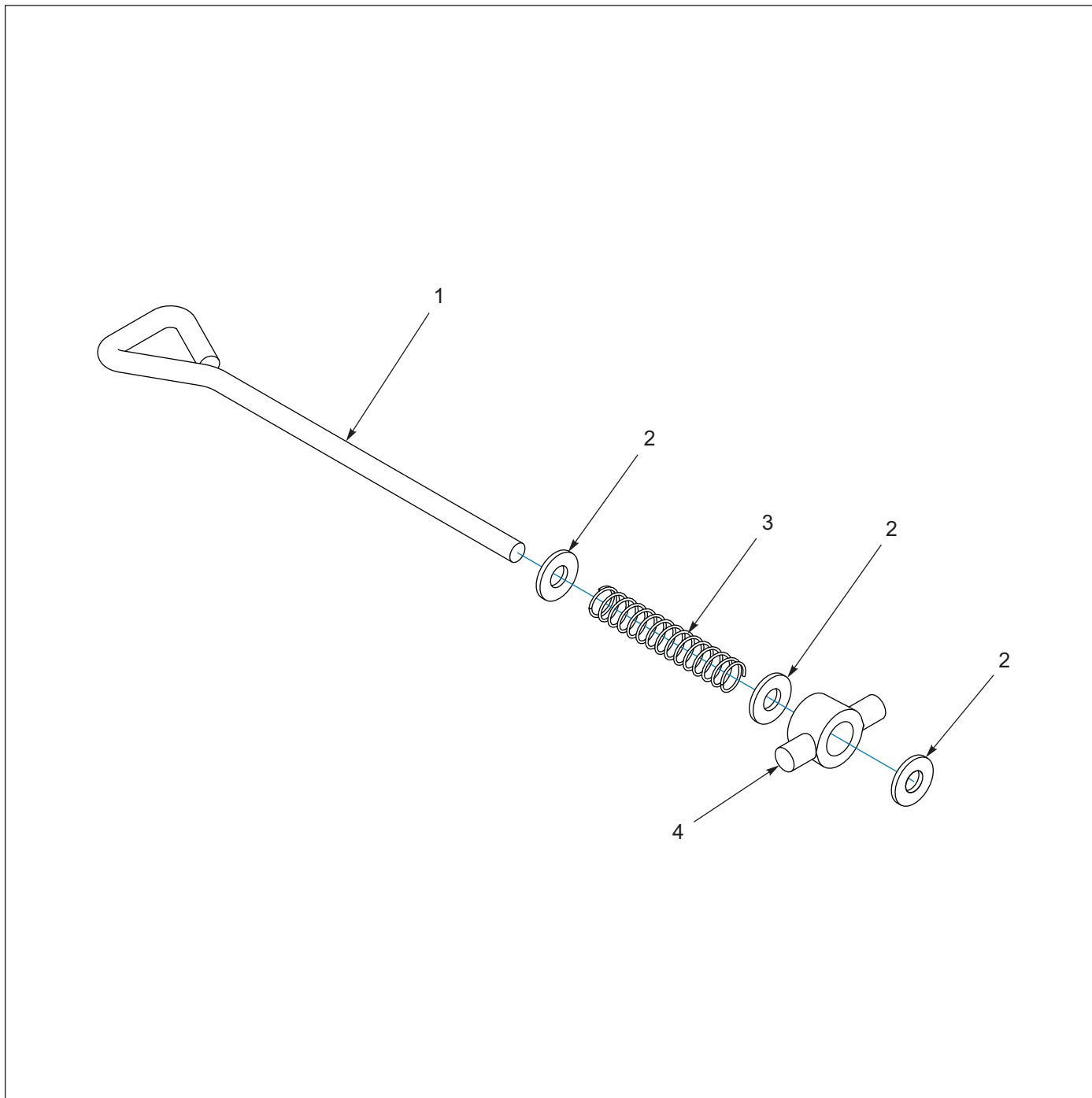


Figure 1-51: Cover Lock

Cover Lock

ITEM	PART NUMBER	DESCRIPTION	QTY
	1C199	PIVOT LOCK ASSEMBLY	1
1	1C192	COVER LOCK STEM	1
2	1-861-010032-06	WASHER, FLAT 1/4 N ZP/CD	3
3	1C212	BOX COVER SPRING	1
4	1C193	COVER LOCK PIVOT	1

LED Warning Lamps - 8FT, 10FT, 12FT (AFTER 01/2026)

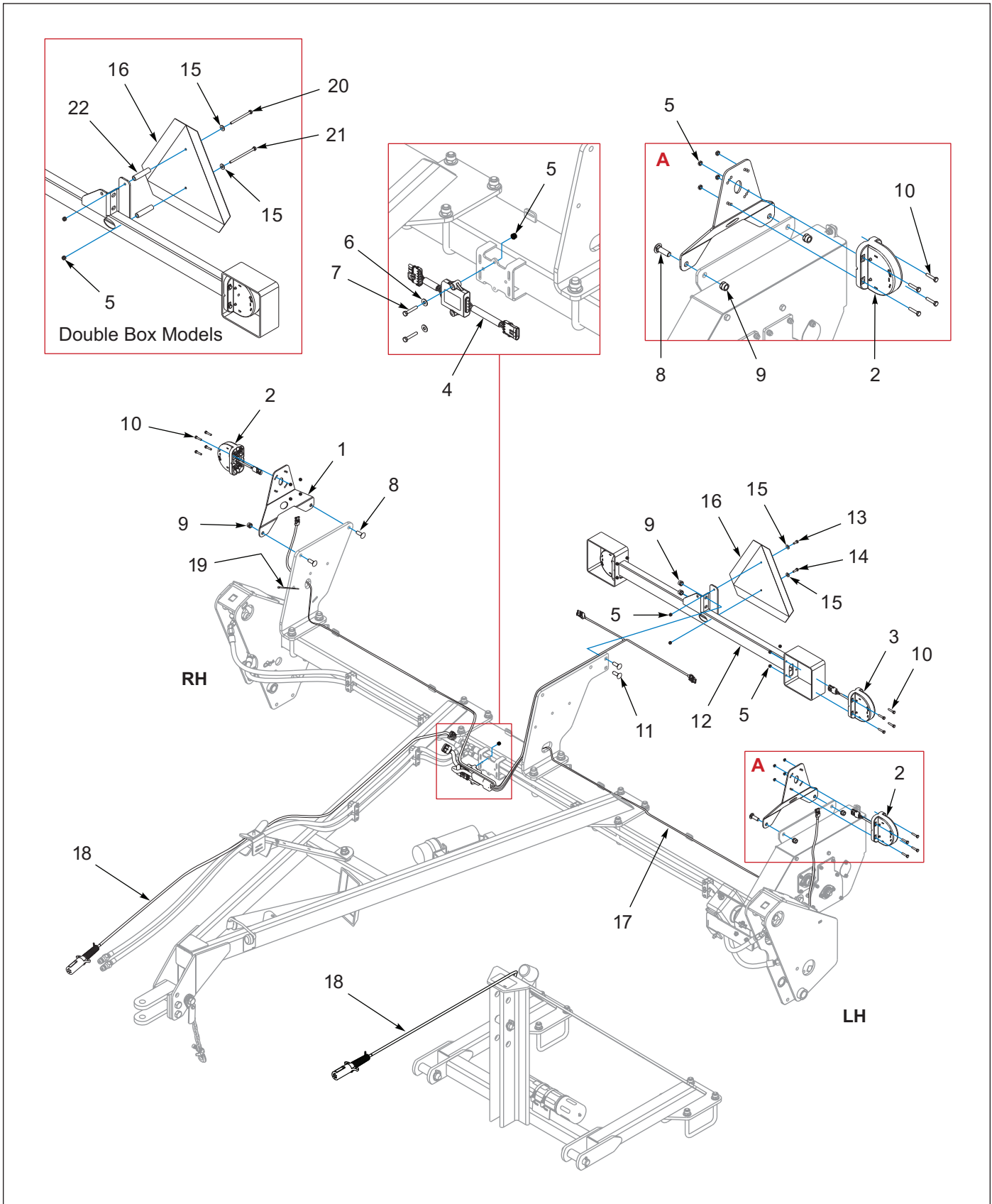


Figure 1-52: LED Warning Lamps - 8FT, 10FT, 12FT (AFTER 01/2026)

LED Warning Lamps - 8FT, 10FT, 12FT (AFTER 01/2026)

ITEM	PART NUMBER	DESCRIPTION	QTY
1	247419	BRACKET-MOUNT, LIGHT	2
2	174436	LAMP, AG AMBER SINGLE LED	2
3	174435	LAMP, AG RED SINGLE LED	2
4	174437	MODULE, AG FLASHER CONTROL	1
5	1-512-010005-01	NUT,HEX,SLFLKG GRB 1/4-20	12
6	1-861-010032-06	WASHER, FLAT 1/4 N ZP/CD	2
7	1-654-010047-08	SCREW HX CP,1/4-20UNCX1-1/2G5	2
8	1-654-010055-04	SCREW,HEX CAP,1/2-13UNCX1-3/4	2
9	1-512-010005-09	NUT,HEX,SLFLKG, 1/2-13 GRB	4
10	1-654-010047-07	SCREW, HX CP 1/4-20UNC X 1-1/4, GR5	16
11	1-654-010070-03	SCREW RDHD SQNK1/2-13X1-1/2	2
12	247396	BAR-LIGHT, WARNING, WELDMENT	1
13	1-654-010047-04	SCREW,HEX CAP,1/4-20X3/4 GR5	1
14	1-654-010047-05	SCREW, HX CP 1/4-20UNCx7/8 GR5	1
15	1-861-010032-07	WASHER,FLAT 1/4 ZP	2
16	70260977	SMV EMBLEM	1
17	178525	HARNESS, LAMP 84 X 84 (SEE PAGE 1-128)	1
18	178514	HARNESS, 7 PIN/4PIN WP, 15' (DRAWBAR) (SEE PAGE 1-128)	1
18	178515	HARNESS, 7 PIN/4PIN WP, 10' (3-PT) (SEE PAGE 1-128)	1
19	105874	TIE, STRAP PLSTC 21.5-24 X .301	4
20	1-654-010047-16	SCREW,HX CP 1/4-20UNCX3.50 G5	1
21	1C460ER	SCREW HX HD 1/4-20X3-3/4 (1-654-010047-17)	1
22	247452	BUSHING, 5/8 X 11 GA X 2-3/4	2

Harness Connectors can be purchased separately. (SEE PAGES 1-128 AND 1-129)

LED Warning Lamps - 8FT and 10FT (09/2013 TO 01/2026)

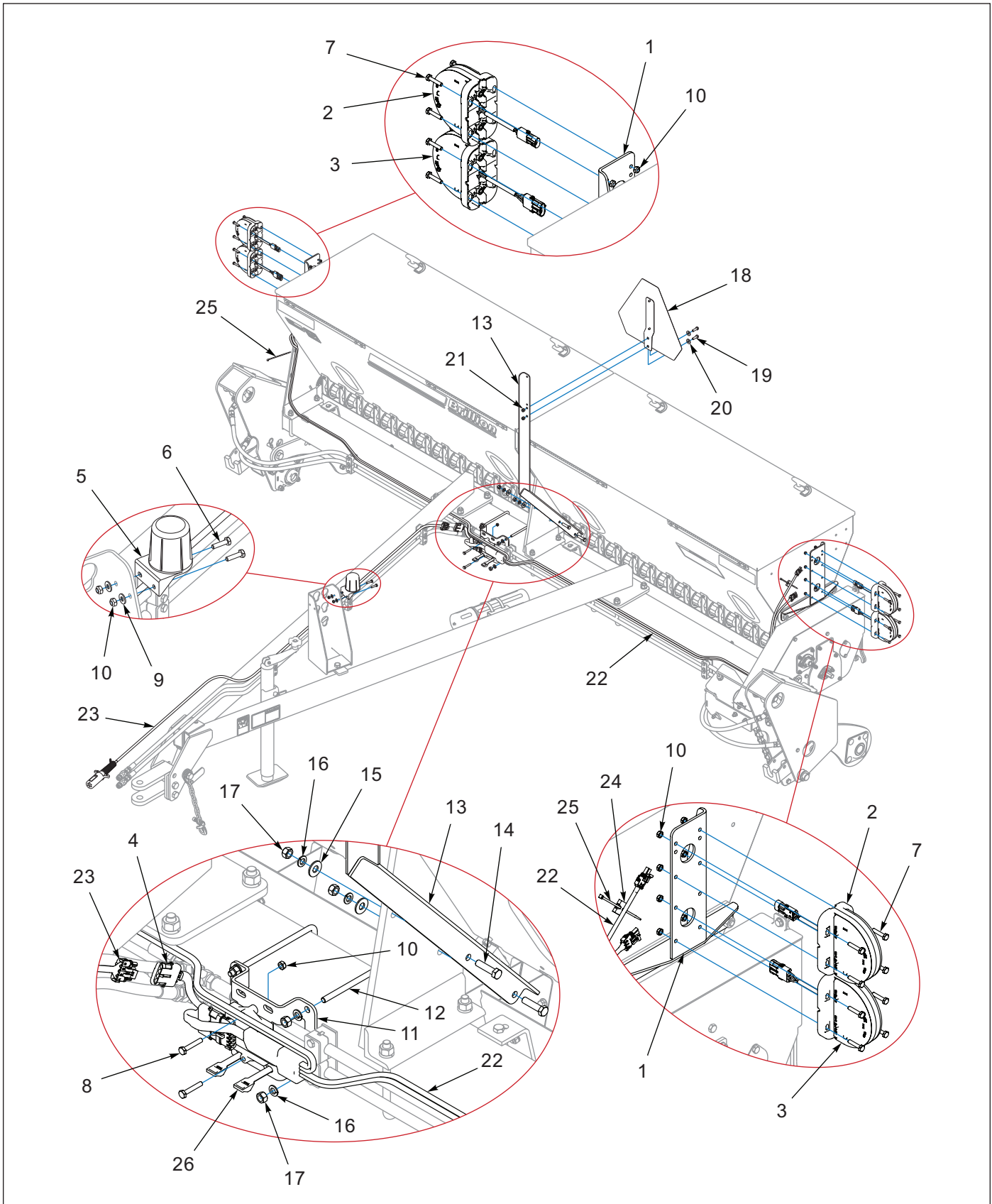


Figure 1-53: LED Warning Lamps - 8FT and 10FT (09/2013 TO 01/2026)

LED Warning Lamps - 8FT and 10FT (09/2013 TO 01/2026)

ITEM	PART NUMBER	DESCRIPTION	QTY
1	9K743	BRACKET, LIGHT WLD	2
2	174436	LAMP, AG AMBER SINGLE LED	2
3	174435	LAMP, AG RED SINGLE LED	2
4	174437	MODULE, AG FLASHER CONTROL	1
5	2-368-010287	HARNESS, STOR-A-WAY (CONNECTOR HOLDER)	1
6	1-654-010047-06	SCREW, HX CP 1/4-20UNC X 1, GR5	2
7	1-654-010047-07	SCREW, HX CP 1/4-20UNC X 1-1/4, GR5	16
8	1-654-010047-08	SCREW, HX CP, 1/4-20UNC X 1-1/2, GR5	2
9	1-861-010032-06	WASHER, FLAT 1/4 N ZP/CD	2
10	1-512-010005-01	NUT, HEX, SLFLKG GRB 1/4-20	20
11	178506	BRACKET, MODULE MOUNT	1
12	178529	U-BOLT, 3/8-16 X 4-7/16 X 6-7/8, ZP	2
13	5K385	SMV SUPPORT	1
14	1-654-010051-07	SCREW, HEX CAP 3/8-16UNC X 1-1/2	1
15	1-861-010032-11	WASHER, FLAT 3/8 W ZP/CD	2
16	1-861-010034-11	WASHER, LOCK 3/8, ZP	6
17	1-512-010007-07	NUT, HEX 3/8-16, ZP	6
18	2P151	SMV W/BRACKET	1
19	1-654-010049-05	SCREW, HX CP 5/16-18UNC X 1, GR5	2
20	1-861-010032-09	WASHER, FLAT 5/16 W ZP/CD	2
21	104032	NUT, HX SLF-LKG W/MYL 5/16-18	2
22	178525	HARNESS, LAMP 84 X 84 (SEE PAGE 1-128)	1
23	178514	HARNESS, 7 PIN/4PIN WP, 15' (DRAWBAR) (SEE PAGE 1-128)	1
23	178515	HARNESS, 7 PIN/4PIN WP, 10' (3-PT) (SEE PAGE 1-128)	1
24	25079	MOUNTING PLATE (ADHESIVE)	10
25	105-0214	TY-WRAP 1/16-1-1/8 TY-524MX	20
26	105874	TIE, STRAP PLSTC 21.5-24 X .301	4

Harness Connectors can be purchased separately. (**SEE PAGES 1-128 AND 1-129**)

LED Warning Lamps - 12FT (09/2013 TO 01/2026)

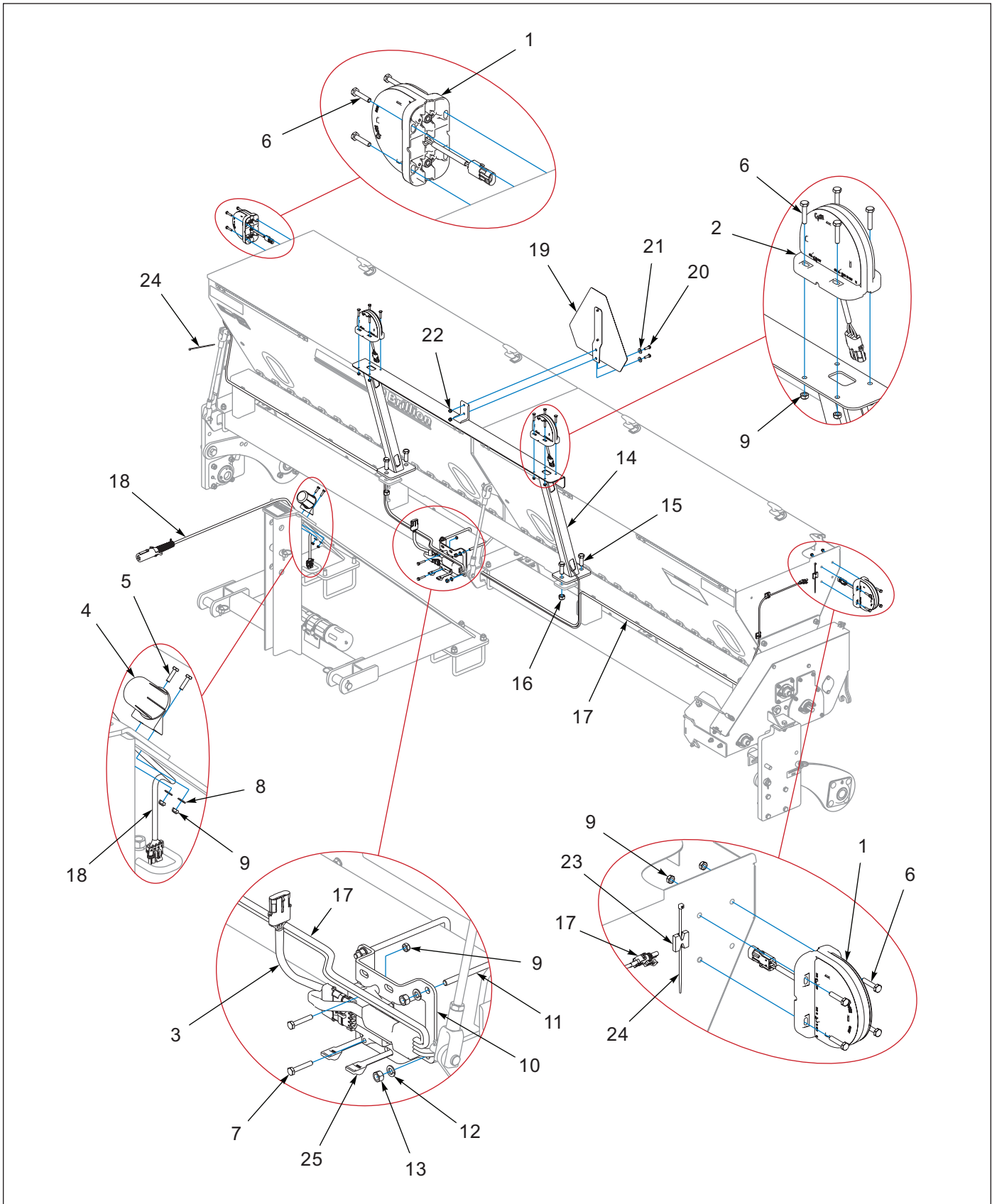


Figure 1-54: LED Warning Lamps - 12FT (09/2013 TO 01/2026)

LED Warning Lamps - 12FT (09/2013 TO 01/2026)

ITEM	PART NUMBER	DESCRIPTION	QTY
1	174436	LAMP, AG AMBER SINGLE LED	2
2	174435	LAMP, AG RED SINGLE LED	2
3	174437	MODULE, AG FLASHER CONTROL	1
4	2-368-010287	HARNESS, STOR-A-WAY (CONNECTOR HOLDER)	1
5	1-654-010047-06	SCREW, HX CP 1/4-20UNC X 1, GR5	2
6	1-654-010047-07	SCREW, HX CP 1/4-20UNC X 1-1/4, GR5	10
7	1-654-010047-08	SCREW, HX CP, 1/4-20UNC X 1-1/2, GR5	2
8	1-861-010032-06	WASHER, FLAT 1/4 N, ZP/CD	2
9	1-512-010005-01	NUT, HEX, SLFLKG GRB 1/4-20	20
10	178506	BRACKET, MODULE MOUNT	1
11	178529	U-BOLT, 3/8-16 X 4-7/16 X 6-7/8, ZP	2
12	1-861-010034-11	WASHER, LOCK 3/8, ZP	4
13	1-512-010007-07	NUT, HEX 3/8-16, ZP	4
14	9K746	BRACKET, LIGHT BAR WL	1
15	1-654-010059-04	SCREW, HEX CAP 5/8-11 X 1-3/4, GR5	4
16	1-512-010005-13	NUT, HEX SLFLKG GRB 5/8-11	4
17	178513	HARNESS, LAMP 66 X 138 (SEE PAGE 1-128)	1
18	178514	HARNESS, 7 PIN/4PIN WP, 10' (3-PT) (SEE PAGE 1-128)	1
18	178515	HARNESS, 7 PIN/4PIN WP, 15' (DRAWBAR) (SEE PAGE 1-128)	1
19	2P151	SMV W/BRACKET	1
20	1-654-010049-05	SCREW, HX CP 5/16-18UNC X 1, GR5	2
21	1-861-010032-09	WASHER, FLAT 5/16 W ZP/CD	2
22	104032	NUT, HX SLF-LKG W/MYL 5/16-18	2
23	25079	MOUNTING PLATE (ADHESIVE)	10
24	105-0214	TY-WRAP 1/16-1-1/8 TY-524MX	20
25	105874	TIE, STRAP PLSTC 21.5-24 X .301	4

Harness Connectors can be purchased separately. (**SEE PAGES 1-128 AND 1-129**)

Warning Lamp Kit - 8FT and 10FT (BEFORE 09/2013)

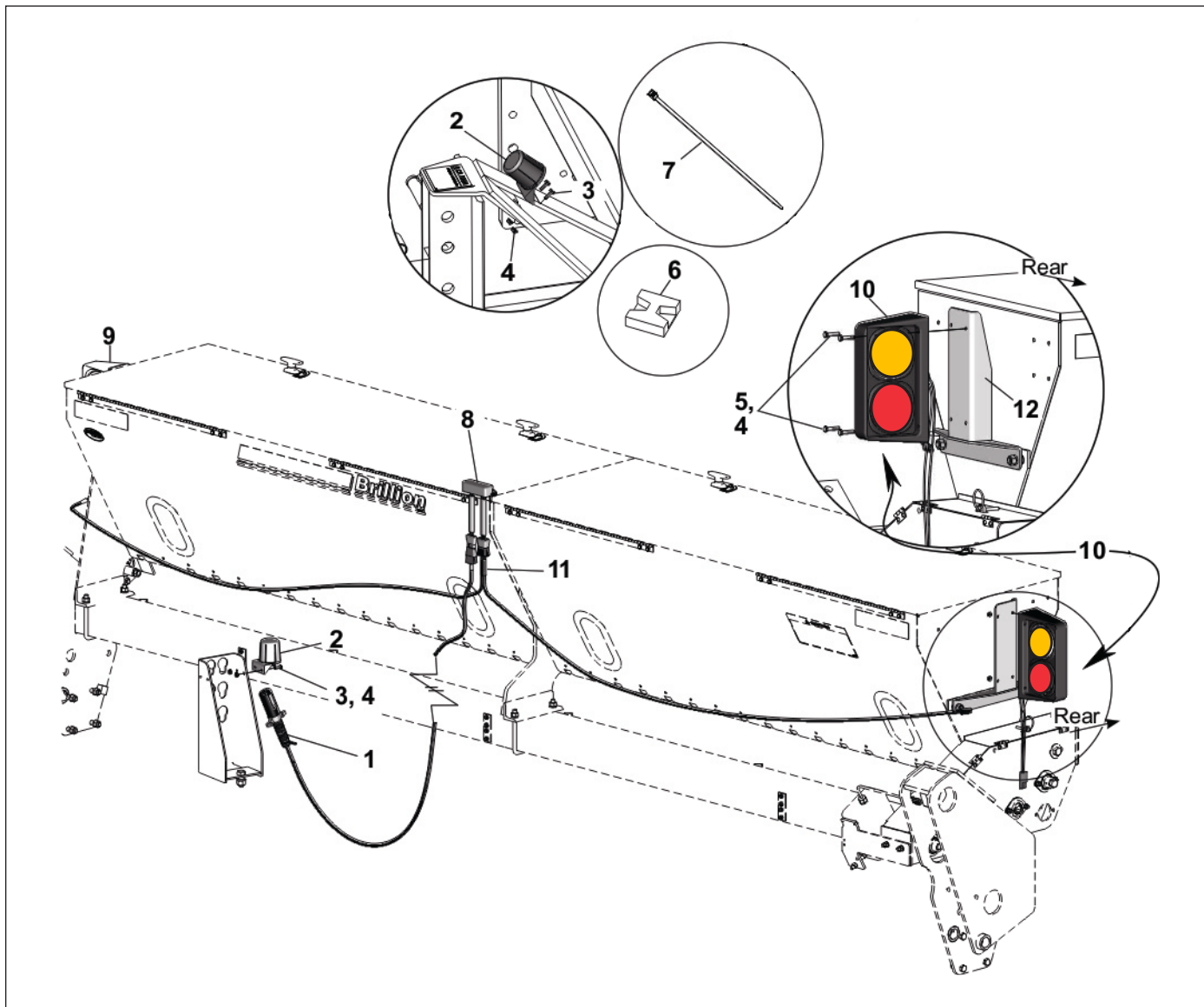


Figure 1-55: Warning Lamp Kit - 8FT and 10FT (BEFORE 09/2013)

Warning Lamp Kit - 8FT and 10FT (BEFORE 09/2013)

ITEM	PART NUMBER	DESCRIPTION	QTY
1	9K784	AG HARNESS EXT 15'	1
2	8K664	CONNECTOR HOLDER (105728)	1
3	1-654-010047-04	SCREW, HEX CAP, 1/4-20 X 3/4, GR5	2
4	108417	NUT SPIRAL 1/4-20HX-FG	10
5	1-654-010047-07	SCREW, HX CP 1/4-20UNC X 1-1/4, GR5	8
6	5K287	CABLE TIE MOUNTING BASE	10
7	105-0214	TY-WRAP 1/16-1-1/8 TY-524MX	10
8	8K661	LIGHT MODULE (109812)	1
9	9K731	DUAL LAMP, W/BRAKE LH/HORIZ (AMBER ON TOP)	1
10	9K732	DUAL LAMP, W/BRAKE RH/HORIZ (AMBER ON TOP)	1
11	9K787	EXTENSION WISHBONE, DOUBLE LIGHT	1
12	9K743	BRACKET, LIGHT WLD (PART OF SEEDER ASSEMBLY)	1

Warning Lamp Kit - 12FT (BEFORE 09/2013)

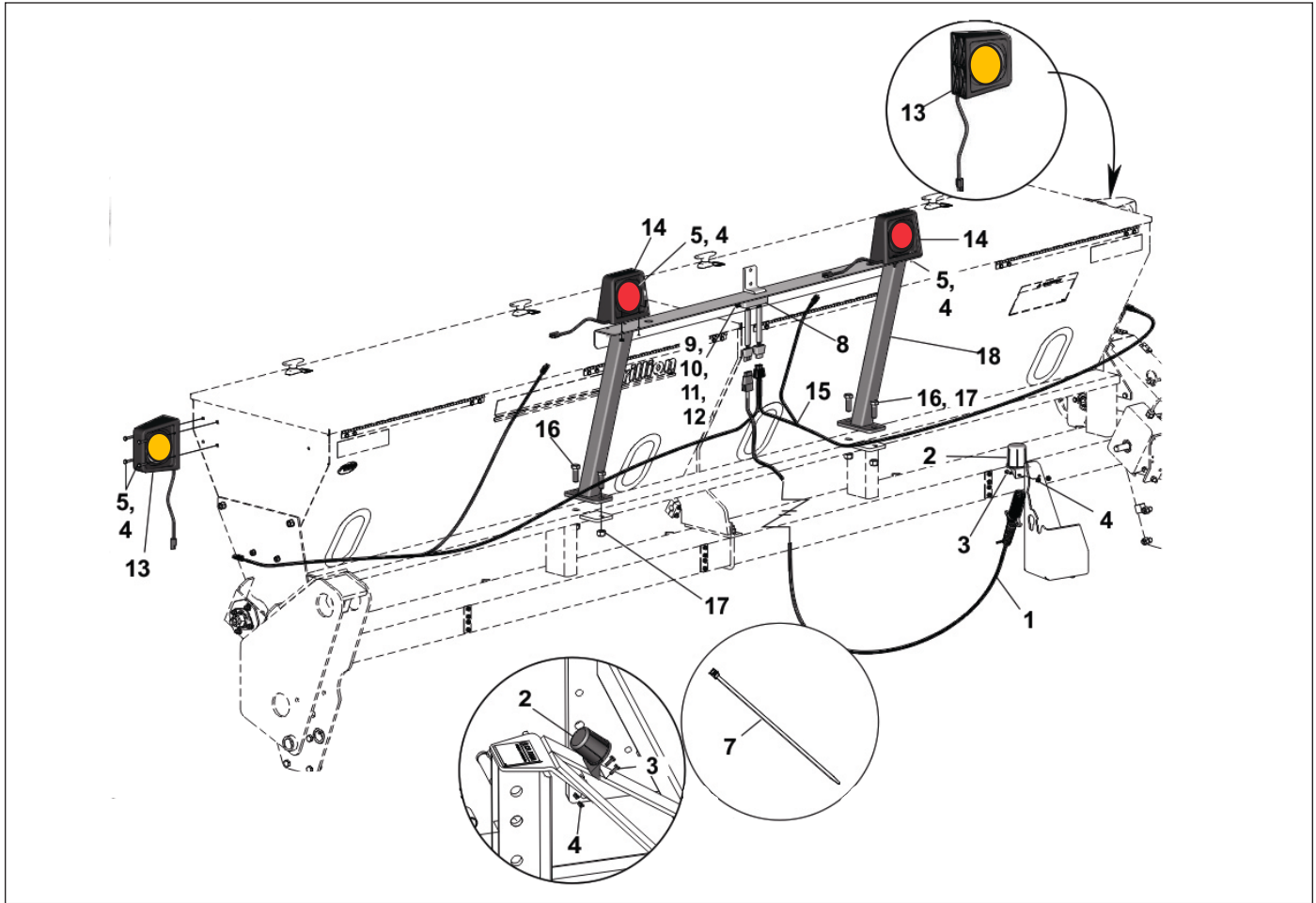


Figure 1-56: Warning Lamp Kit - 12FT (BEFORE 09/2013)

Warning Lamp Kit - 12FT (BEFORE 09/2013)

ITEM	PART NUMBER	DESCRIPTION	QTY
1	9K784	AG HARNESS, 15' (002415)	1
2	8K664	CONNECTOR HOLDER (105728)	1
3	1-654-010047-04	SCREW, HEX CAP, 1/4-20 X 3/4, GR5	2
4	108417	NUT SPIRAL 1/4-20HX-FG	18
5	1-654-010047-07	SCREW, HX CP 1/4-20UNC X 1-1/4, GR5	16
6	5K287	CABLE TIE MOUNTING BASE (NOT SHOWN)	10
7	105-0214	TY-WRAP 1/16-1-1/8 TY-524MX	10
8	8K661	AG LIGHT MODULE	1
9	111-0600	SCREW, MACHINE-RD, HD #8-32 X 3/4	2
10	1-861-010032-02	WASHER, FL #8, ZP/CD	2
11	118-5098	#8 LOCK WASHER, ZP	2
12	1-512-010007-02	NUT, HEX 8-32, ZP	2
13	8K659	AMBER LIGHT	2
14	8K660	RED LIGHT	2
15	8K663	EXTENSION WISHBONE (14-715013)	1
16	1-654-010059-04	SCREW, HEX CAP 5/8-11 X 1-3/4, GR5	4
17	1-512-010005-13	NUT, HEX SLFLKG GRB 5/8-11	4
18	9K746	BRACKET, LIGHT BAR WLD	1

Scraper Kit, 8FT Tube Mounted - Optional

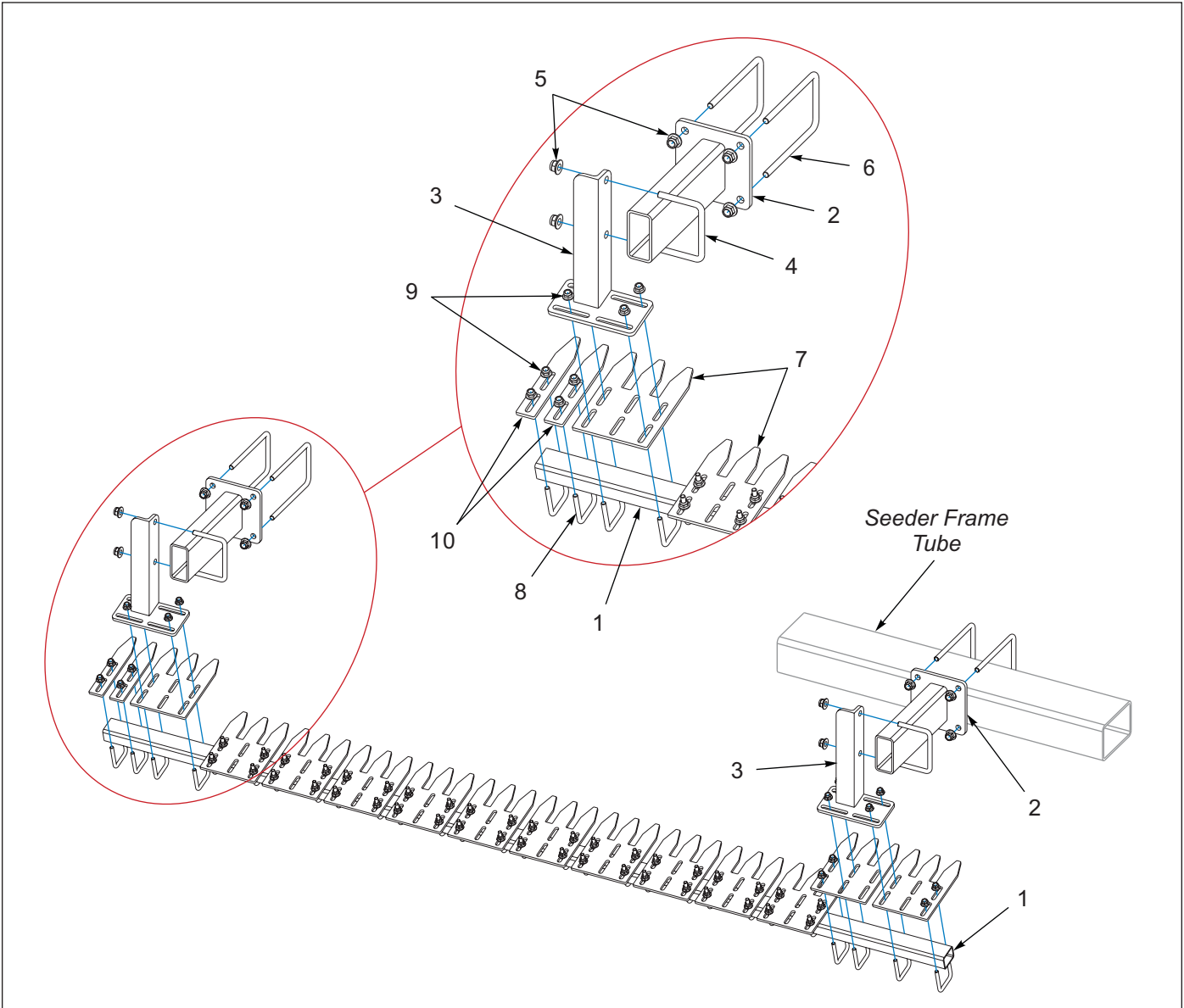


Figure 1-57: Scraper Kit, 8FT Tube Mounted - Optional

Scraper Kit, 8FT Tube Mounted - Optional

ITEM	PART NUMBER	DESCRIPTION	QTY
	244061	SCRAPER KIT, 8 FT	1
1	244064	TUBE,2 X 1-1/2 X 93	1
2	1K212	BRACKET WLDMT	2
3	244058	BRACKET,SCRAPER	2
4	5J915	U-BOLT 1/2-13 X 3-1/4 X 4-9/16	2
5	2P253	NUT, FLANGE NY-LOK 1/2-13	12
6	3J561	U-BOLT 1/2-13 X 7-1/2 X 4-1/2	4
7	242499	SCRAPER,3 WHEEL	13
8	171749	U-BOLT, 3/8-16X2-7/16X2-3/4,ZP	28
9	2P252	NUT, FLANGE NY-LOK 3/8-16	56
10	244050	SCRAPER,SINGLE	2

Scraper Kit, 10FT Tube Mounted - Optional

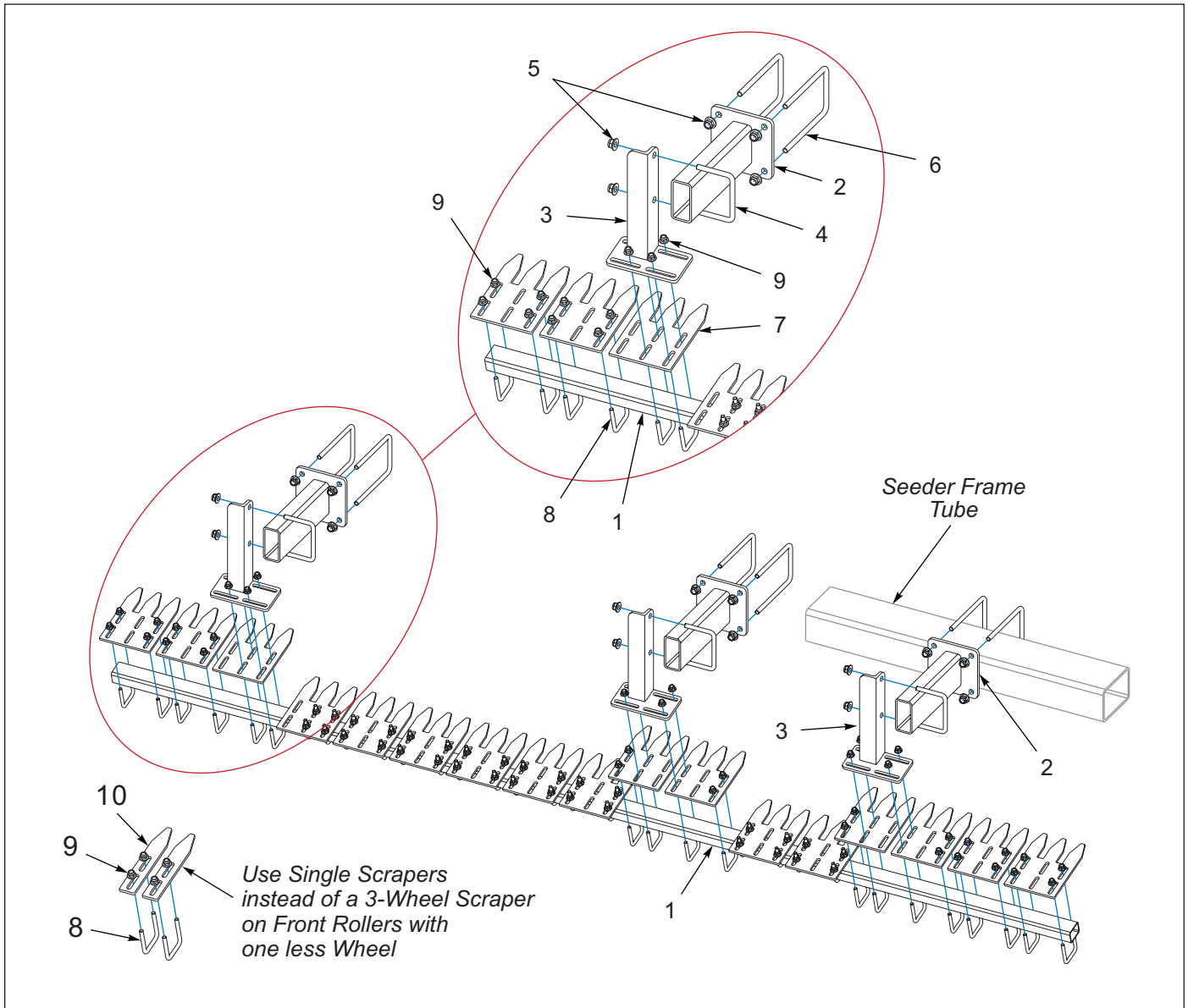


Figure 1-58: Scraper Kit, 10FT Tube Mounted - Optional

Scraper Kit, 10FT Tube Mounted - Optional

ITEM	PART NUMBER	DESCRIPTION	QTY
	244062	SCRAPER KIT, 10 FT	1
1	190884	TUBE RECT 2 X 1-1/2 X 11GAX116	1
2	1K212	BRACKET WLDMT	3
3	244058	BRACKET,SCRAPER	3
4	5J915	U-BOLT 1/2-13 X 3-1/4 X 4-9/16	3
5	2P253	NUT, FLANGE NY-LOK 1/2-13	18
6	3J561	U-BOLT 1/2-13 X 7-1/2 X 4-1/2	6
7	242499	SCRAPER,3 WHEEL	17
8	171749	U-BOLT, 3/8-16X2-7/16X2-3/4,ZP	36
9	2P252	NUT, FLANGE NY-LOK 3/8-16	72
10	244050	SCRAPER,SINGLE	2

Scraper Kit, 12FT Tube Mounted - Optional

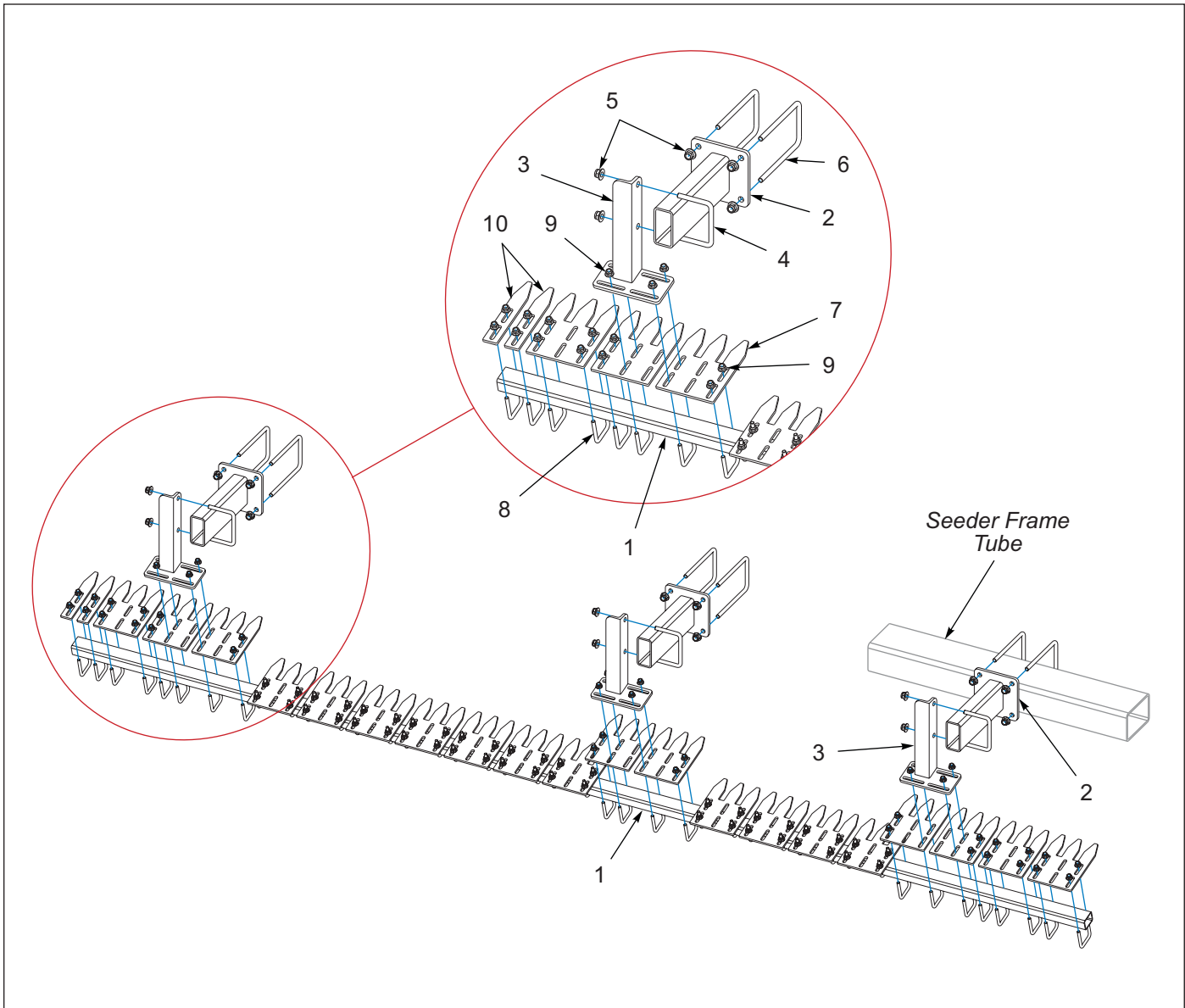


Figure 1-59: Scraper Kit, 12FT Tube Mounted - Optional

Scraper Kit, 12FT Tube Mounted - Optional

ITEM	PART NUMBER	DESCRIPTION	QTY
	244063	SCRAPER KIT, 12 FT	1
1	244065	TUBE, 2 X 1-1/2 X 141	1
2	1K212	BRACKET WLDMT	3
3	244058	BRACKET, SCRAPER	3
4	5J915	U-BOLT 1/2-13 X 3-1/4 X 4-9/16	3
5	2P253	NUT, FLANGE NY-LOK 1/2-13	18
6	3J561	U-BOLT 1/2-13 X 7-1/2 X 4-1/2	6
7	242499	SCRAPER, 3 WHEEL	20
8	171749	U-BOLT, 3/8-16 X 2-7/16 X 2-3/4, ZP	42
9	2P252	NUT, FLANGE NY-LOK 3/8-16	84
10	244050	SCRAPER, SINGLE	2

Scraper Kit, Angle Mounted - Optional

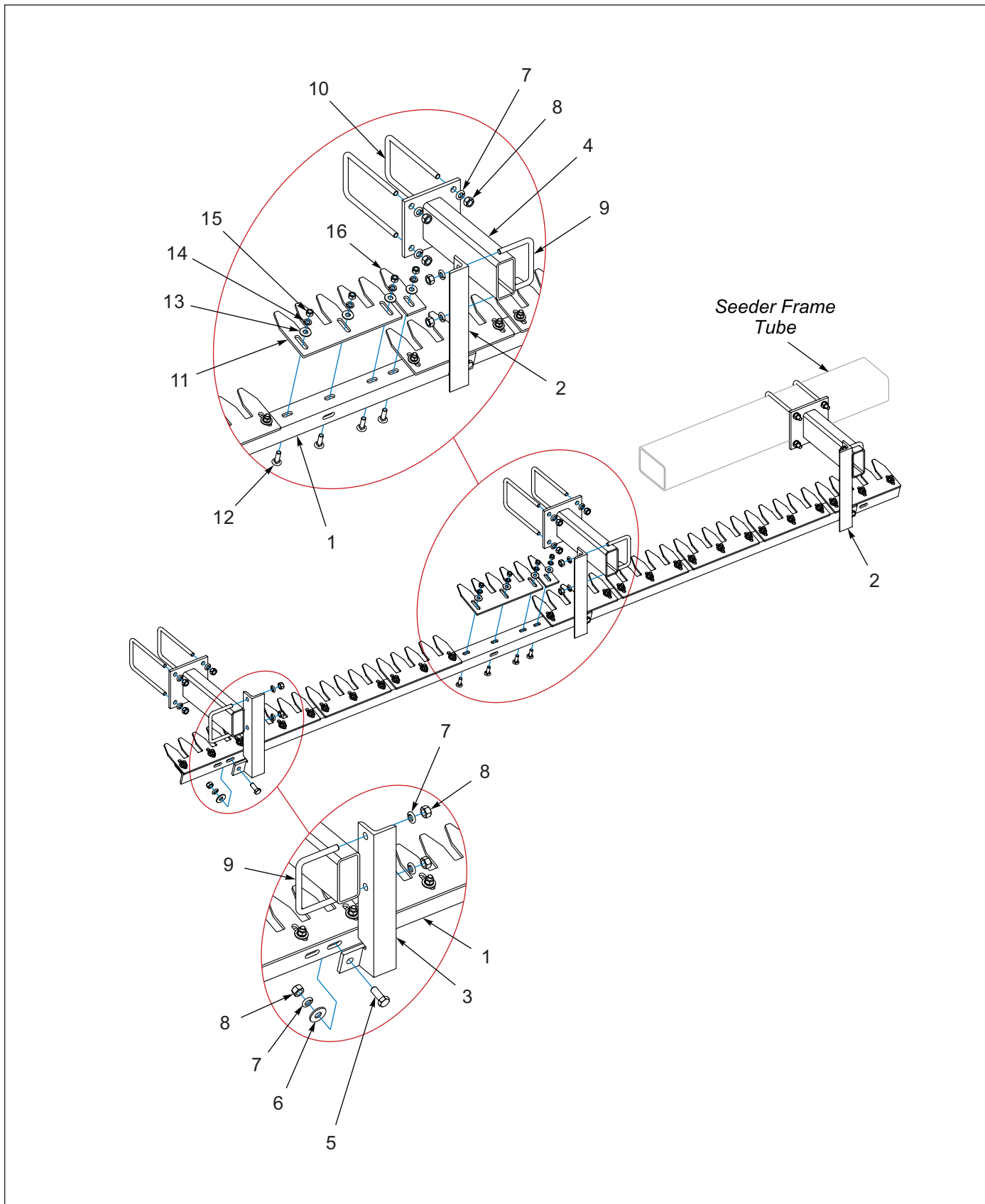


Figure 1-60: Scraper Kit, Angle Mounted - Optional

Scraper Kit, Angle Mounted - Optional

ITEM	PART NUMBER	DESCRIPTION	QTY		
			8'	10'	12'
		MODELS	8'	10'	12'
	1K225	8' SEEDER SCRAPER KIT	1	--	--
	1K224	10' SEEDER SCRAPER KIT	--	1	--
	2K526	12' SEEDER SCRAPER KIT	--	--	1
1	1K228	ANGLE (92-3/4")	1	--	--
1	1K219	ANGLE (115-9/16")	--	1	--
1	2K467	ANGLE (140-5/8")	--	--	1
2	1K214	LH BRACKET	1	2	2
3	1K215	RH BRACKET	1	--	--
4	1K212	BRACKET	2	3	3
5	1-654-010055-02	SCREW, 1/2-13UNC X 1-1/4 CP, GR5	2	3	3
6	1-861-010032-15	WASHER, FLAT 1/2 W ZP/CD	2	3	3
7	1-861-010034-13	WASHER, LKG HLCL SPR, 1/2	14	21	21
8	1-512-010007-09	NUT, HEX 1/2-13, ZP	14	21	21
9	5J915	U-BOLT, 1/2-13 X 4-9/16 X 3-1/4, ZP	2	3	3
10	3J561	U-BOLT, 1/2-13 X 4 1/2 X 7-1/2, ZP	6	6	4
11	1K220	SCRAPER	8	10	12
12	101864	SCREW, RD HD 3/8-16 X 1-1/4, GR5	25	31	38
13	1-861-010032-11	WASHER, FLAT 3/8 W ZP/CD	25	31	38
14	1-861-010034-11	WASHER, LKG HLCL SPR, 3/8	25	31	38
15	1-512-010007-07	NUT, HEX 3/8-16, ZP	25	31	38
16	1K221	CENTER SCRAPER	1	1	2

S-Tine Tire Track Remover - Optional

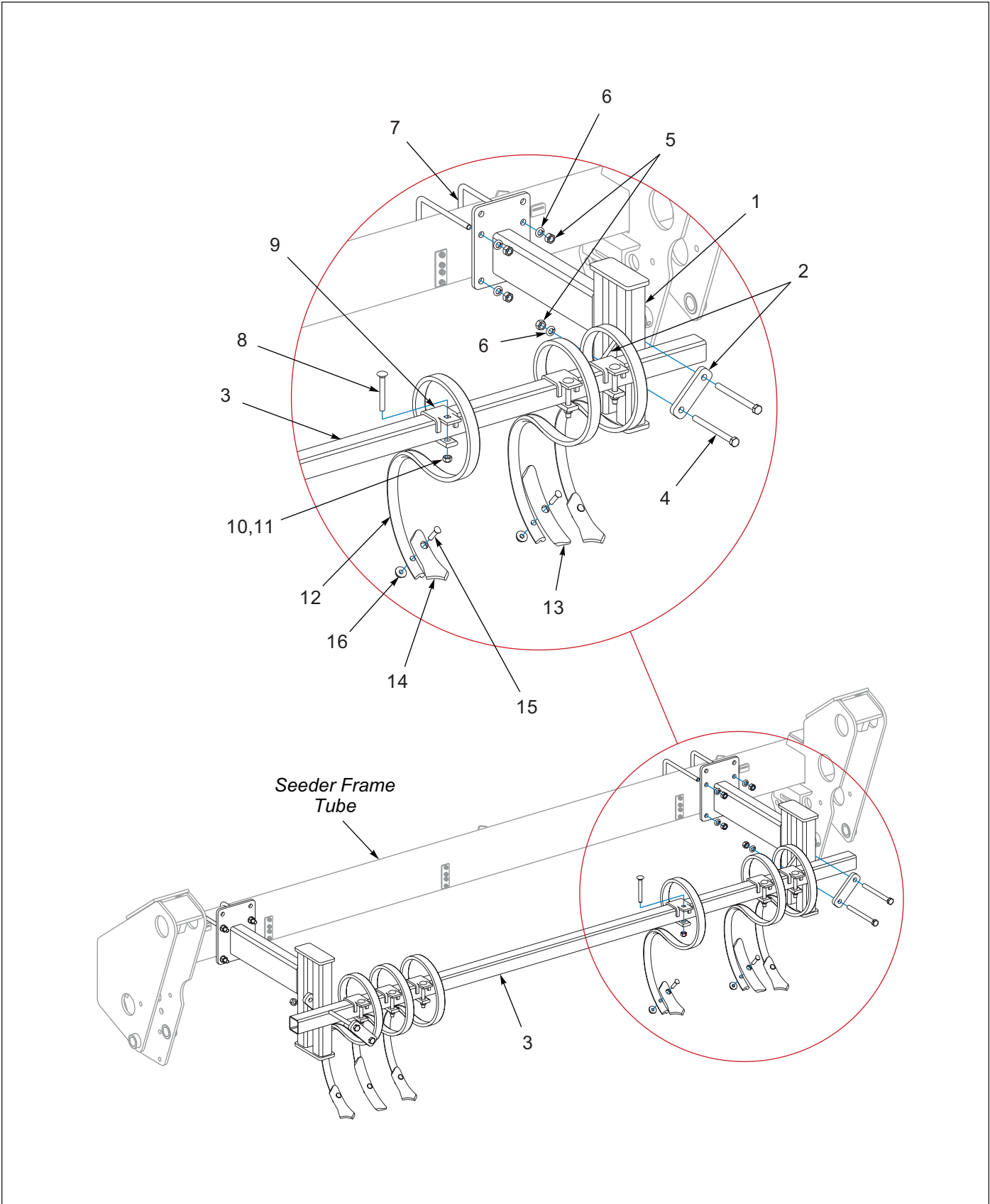


Figure 1-61: S-Tine Tire Track Remover - Optional

S-Tine Tire Track Remover - Optional

ITEM	PART NUMBER	DESCRIPTION	QTY		
			8'	10'	12'
		MODELS	8'	10'	12'
	9J931	8' S-TINE TRACK REMOVER KIT	1	--	--
	9J438	10' S-TINE TRACK REMOVER KIT	--	1	--
	2K496	12' S-TINE TRACK REMOVER KIT	--	--	1
1	9J474	S-TINE BRACKET	2	2	2
2	5J358	STRAP	4	4	4
3	9J579	TUBE (90" TOOTH BAR)	1	--	--
3	9J477	TOOTH BAR (118" TUBE)	--	1	--
3	9J962	TUBE (136" TOOTH BAR)	--	--	1
4	1-654-010055-17	SCREW, HEX CAP, 1/2-13UNC X 6, GR5	4	4	4
5	1-512-010007-09	NUT, HEX 1/2-13, ZP	12	12	12
6	1-861-010034-13	WASHER, LKG HLCL SPR, 1/2	12	12	12
7	3J561	U-BOLT, 1/2-13	4	4	4
8	2J241	CARRIAGE BOLT, 7/16-14 X 3 1/2, GR5	6	6	6
9	1J834	CLAMP	6	6	6
10	1-861-010034-12	WASHER, LOCKING HLC SPG 7/16	6	6	6
11	101988	NUT, HEXSLF-LKG 7/16-14, GRB	6	6	6
12	1J887	S-TINE, 10MM X 32MM	6	6	6
13	2J155	1 3/8 REVERSIBLE POINT	2	2	2
14	7D014	2 1/2 DUCK FOOT POINT	4	4	4
15	7D728	CULTIVATOR BOLT, 3/8-16 X 1 3/4	6	6	6
16	5J616	FLANGE LOCK NUT, 3/8-16	6	6	6

Coil Tine Track Remover - Optional

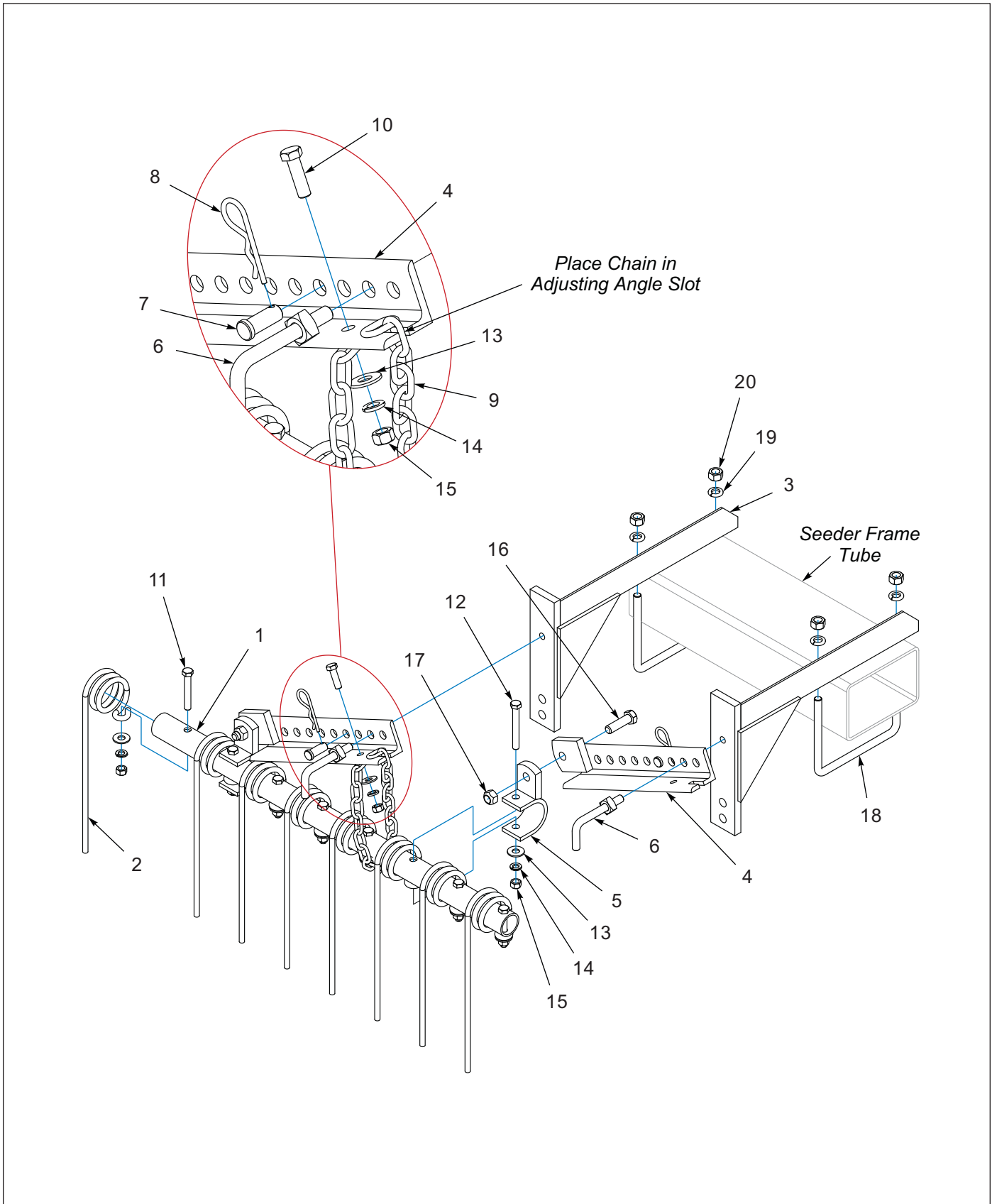


Figure 1-62: Coil Tine Tracker Remover - Optional

Coil Tine Track Remover - Optional

ITEM	PART NUMBER	DESCRIPTION	QTY
	9J932	COIL TINE TRACK REMOVER KIT	1
1	5J601	BAR	2
2	5J603	COIL TINE	16
3	9J942	BRACKET	4
4	7J093	ADJUSTING ANGLE	4
5	7J095	ARM WELDMENT	4
6	7J088	LOCK SCREW	4
7	7J096	CLEVIS PIN	4
8	4C856	HAIR PIN COTTER	4
9	3J951	CHAIN	2
10	1-654-010051-06	SCREW, HEX CAP, 3/8-16UNC X 1-1/4	2
11	1-654-010051-11	SCREW, HX CP, 3/8-16 X 2-1/2 G5, ZP	12
12	1-654-010051-13	SCREW, HX CP, 3/8-16UNC X 3, GR5	4
13	1-861-010032-11	WASHER, FLAT 3/8 W, ZP/CD	14
14	1-861-010034-11	WASHER, LKG HLCL SPR, 3/8	18
15	1-512-010007-07	NUT, HEX 3/8-16, ZP	18
16	1-654-010055-04	SCREW, HEX CAP, 1/2-13UNC X 1-3/4	4
17	1-512-010005-09	NUT, HEX, SLFLKG, 1/2-13, GRB	4
18	4J918	U-BOLT 1/2 X 5-1/4 X 6-1/16	4
19	1-861-010034-13	WASHER, LKG HLCL SPR, 1/2	8
20	1-512-010007-09	NUT, HEX 1/2-13, ZP	8

Brillion Elite Mini Monitor Kit - Single Seed Box - Optional

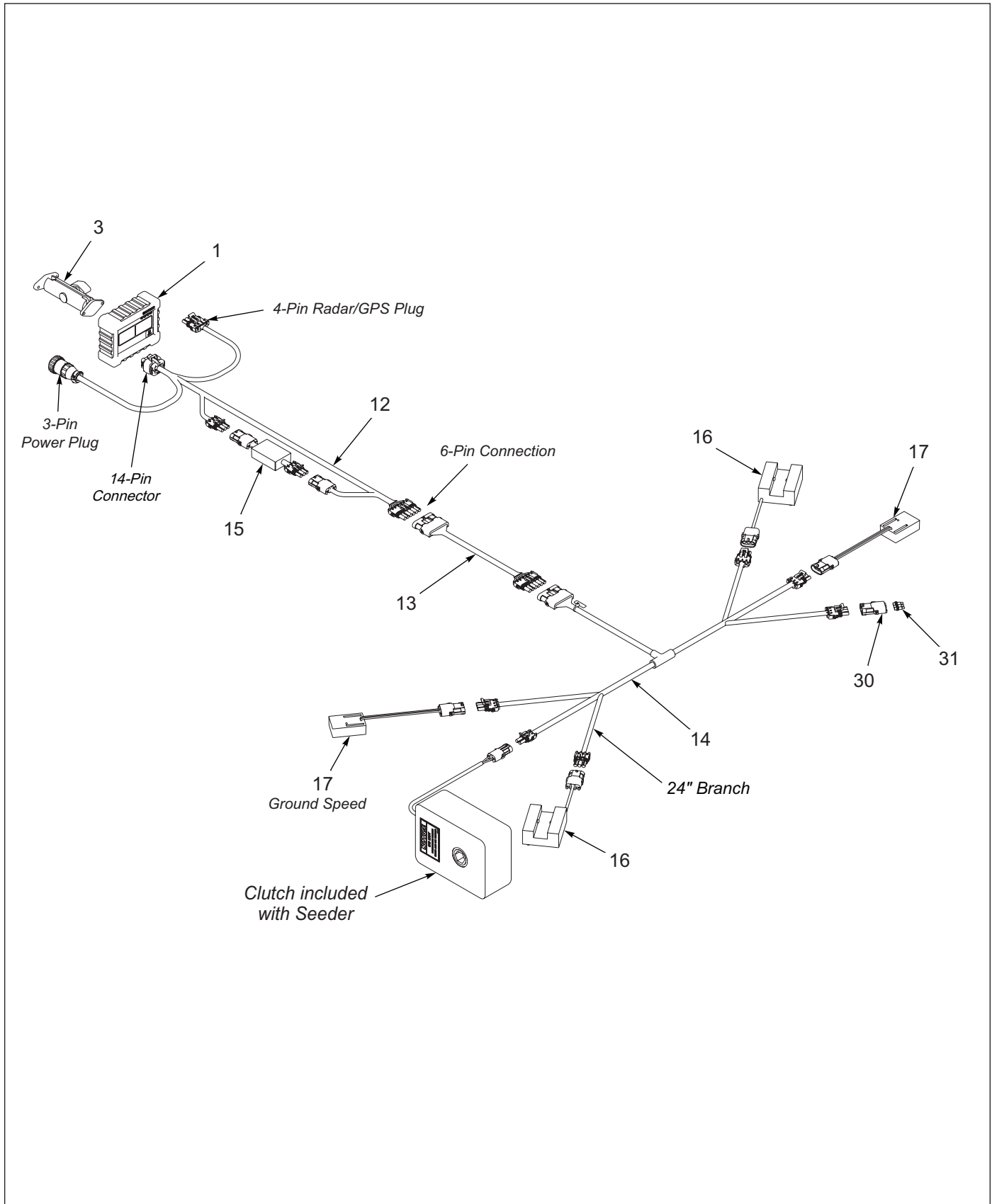


Figure 1-63: Brillion Elite Mini Monitor Electrical Schematic

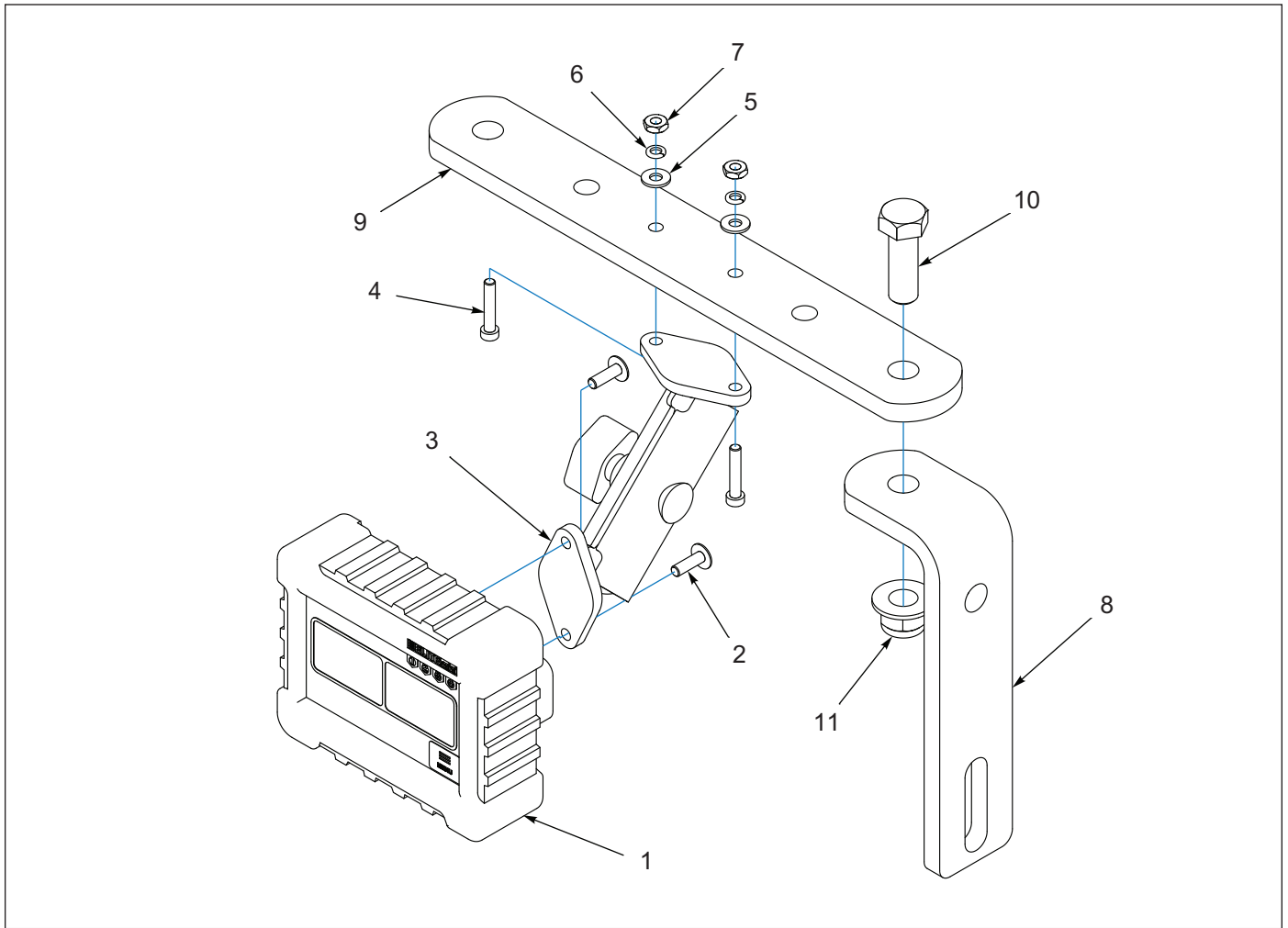


Figure 1-64: Brillion Elite Mini Monitor Tractor Mount

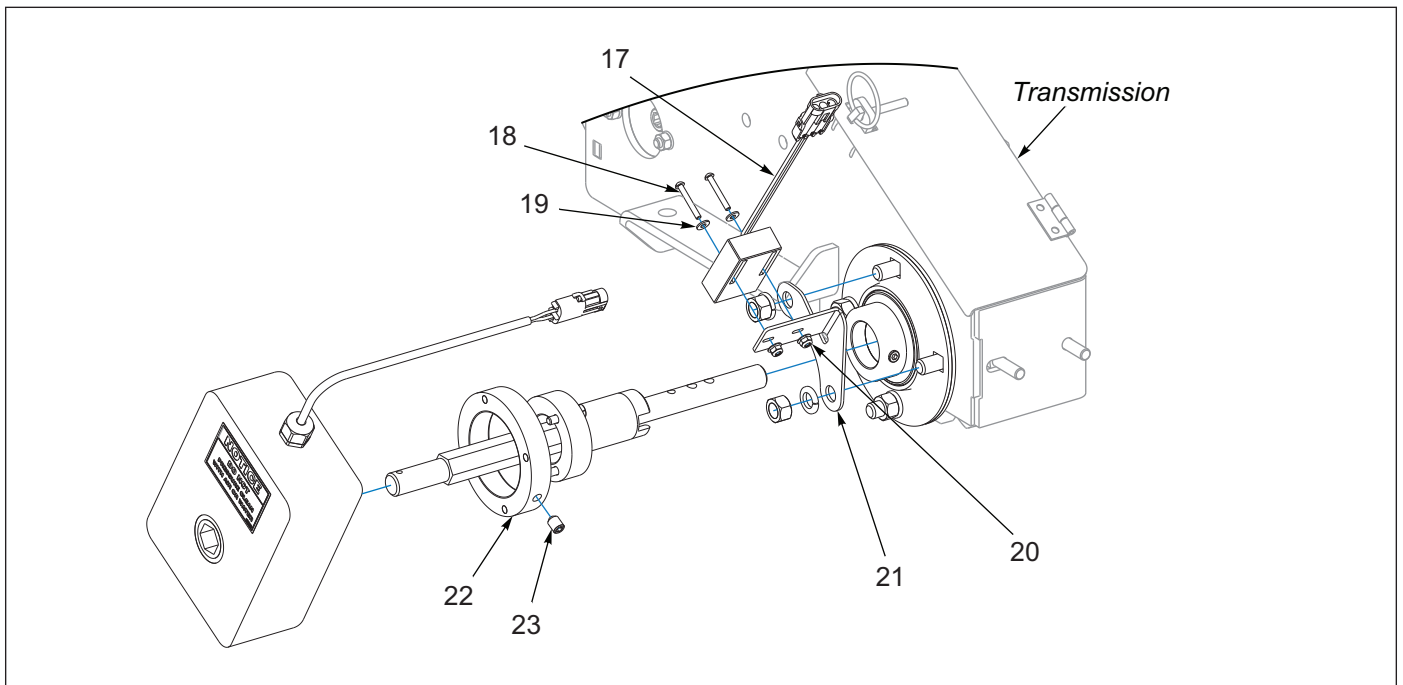


Figure 1-65: Brillion Elite Mini Monitor - Ground Speed

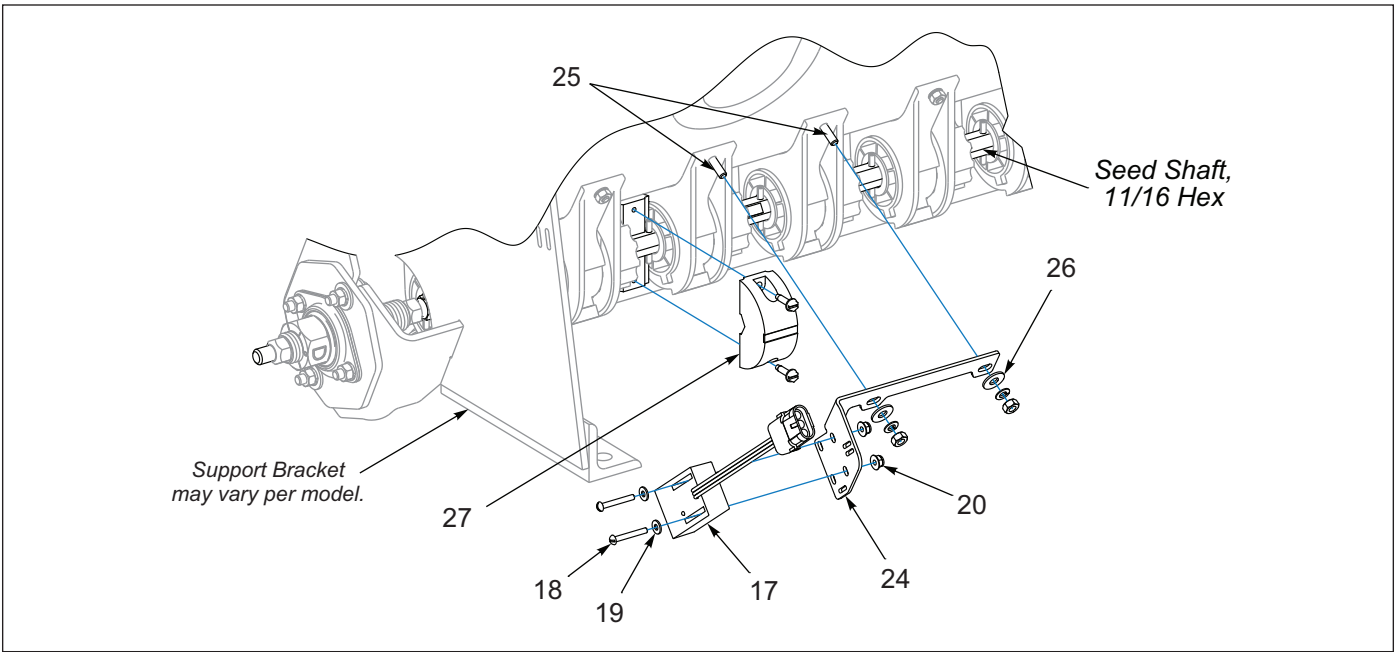


Figure 1-66: Brillion Elite Mini Monitor - Front Seed Box Seed Shaft Sensor

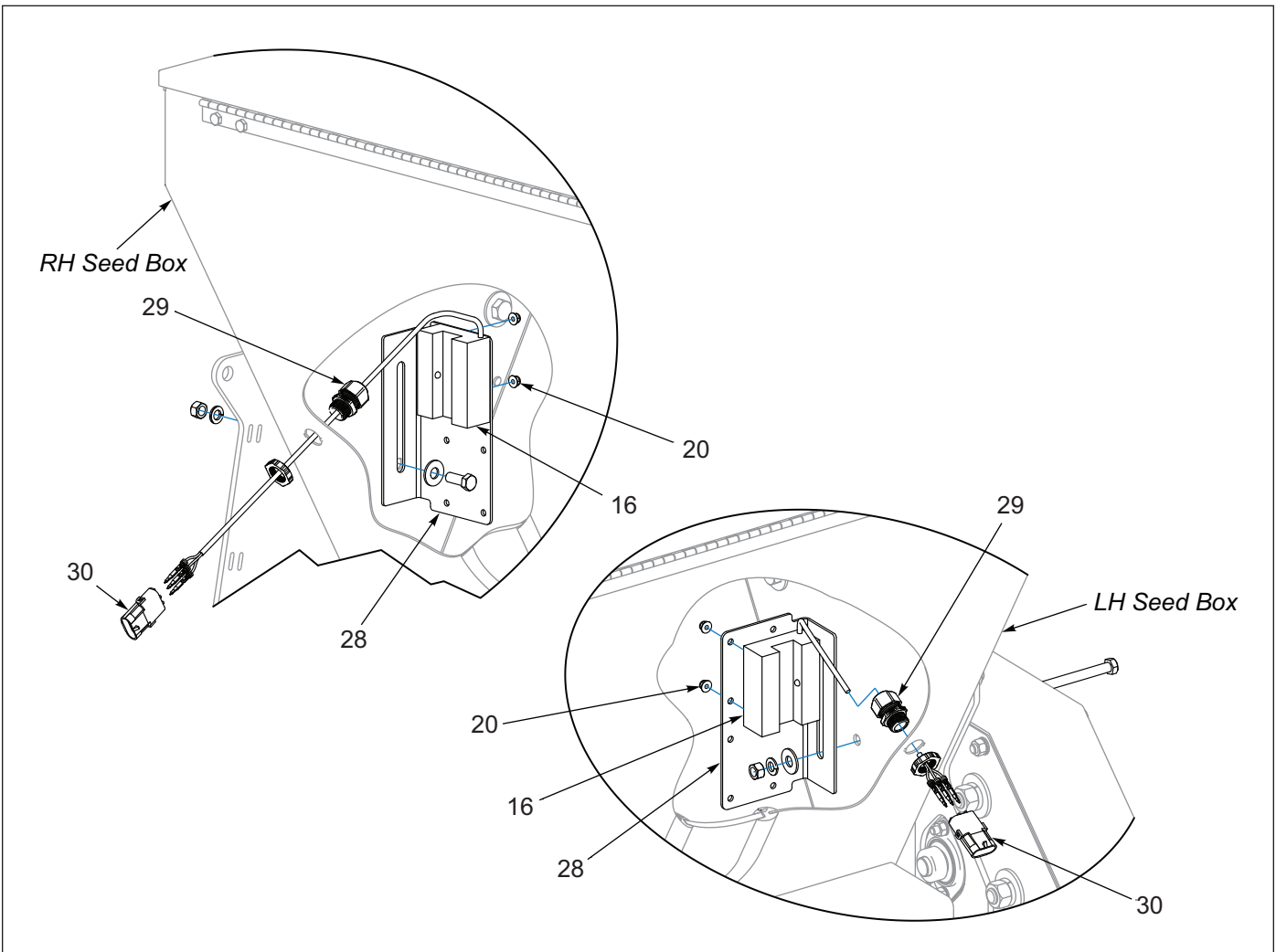


Figure 1-67: Brillion Elite Mini Monitor - Front Seed Box Bin Level Sensor

Brillion Elite Mini Monitor Kit - Single Seed Box - Optional

ITEM	PART NUMBER	DESCRIPTION	QTY
	241280	KIT,SL2 ELITE MINI MONITOR	1
1	233483	MONITOR,BRILLION ELITE MINI (INCLUDES ITEM 2)	1
2	237780	SCREW, M5-0.8X16 FBHSC (METRIC)	2
3	174434	MOUNT, LOUP II MONITOR (INCLUDES ITEMS 4-7)	1
4	197150	SCREW MACK FILL #10-24X1, PHIL	2
5	1-861-010032-03	WASHER, FLAT #10 XP/CD	2
6	1-861-010034-07	WASHER,LKG,HLCL SPR, NO 10	2
7	1-512-010007-03	NUT, HEX 10-24 GR2 ZP	2
8	208527	ANGLE BRACKET,INTERFACE	1
9	208528	STRAIGHT BRACKET, INTERFACE	1
10	1-654-010055-03	SCREW,HEX CAP,1/2-13UNCX1-1/2	1
11	2P253	NUT, FLANGE NY-LOK 1/2-13	1
12	233479	HARNESS, ELITE MINI, TRACTOR	1
13	233481	HARNESS, 240" EXTENSION	1
14	233477	HARNESS, SEEDER	1
15	233480	SMART CLUTCH RELAY	1
16	174399	SENSOR, BIN LEVEL	2
17	174419	SENSOR, SMART SHAFT	2
18	5K262	SCREW,RD HD MACH #8-32X1-1/4	4
19	1-861-010032-02	WASHER,FL #8 ZP/CD	4
20	234115	NUT,FLANGE NY-LOK #8-32	8
21	233476	BRACKET, PICKUP SWITCH	1
22	233485	ACTUATOR ASM, 2-3/4" SHAFT (INCLUDES ITEM 23)	1
23	122709	SCREW,SET,HXSKTCPPT 3/8-16X1/2	1
24	234488	MOUNT, SENSOR, 4.25 SP LGBX	1
25	108787	SCREW MACH HD 1/4-20NCX1	2
26	1-861-010032-07	WASHER, FLAT 1/4	2
27	185985	MAGNET WHEEL ASM, 11/16 HEX	1
28	233490	BRACKET, BIN LEVEL SENSOR	2
29	234195	CORDGRIP,0.17-0.45XM20THRD	2
30	194841	SHROUD,3-PIN WEATHER PACK	3
31	151273	PLUG SEAL,CABLE CAVITY	3

Harness Connectors can be purchased separately. **(See Figure 1-83 and 1-84)**

Brillion Elite Mini Monitor Kit - Double Seed Box - Optional

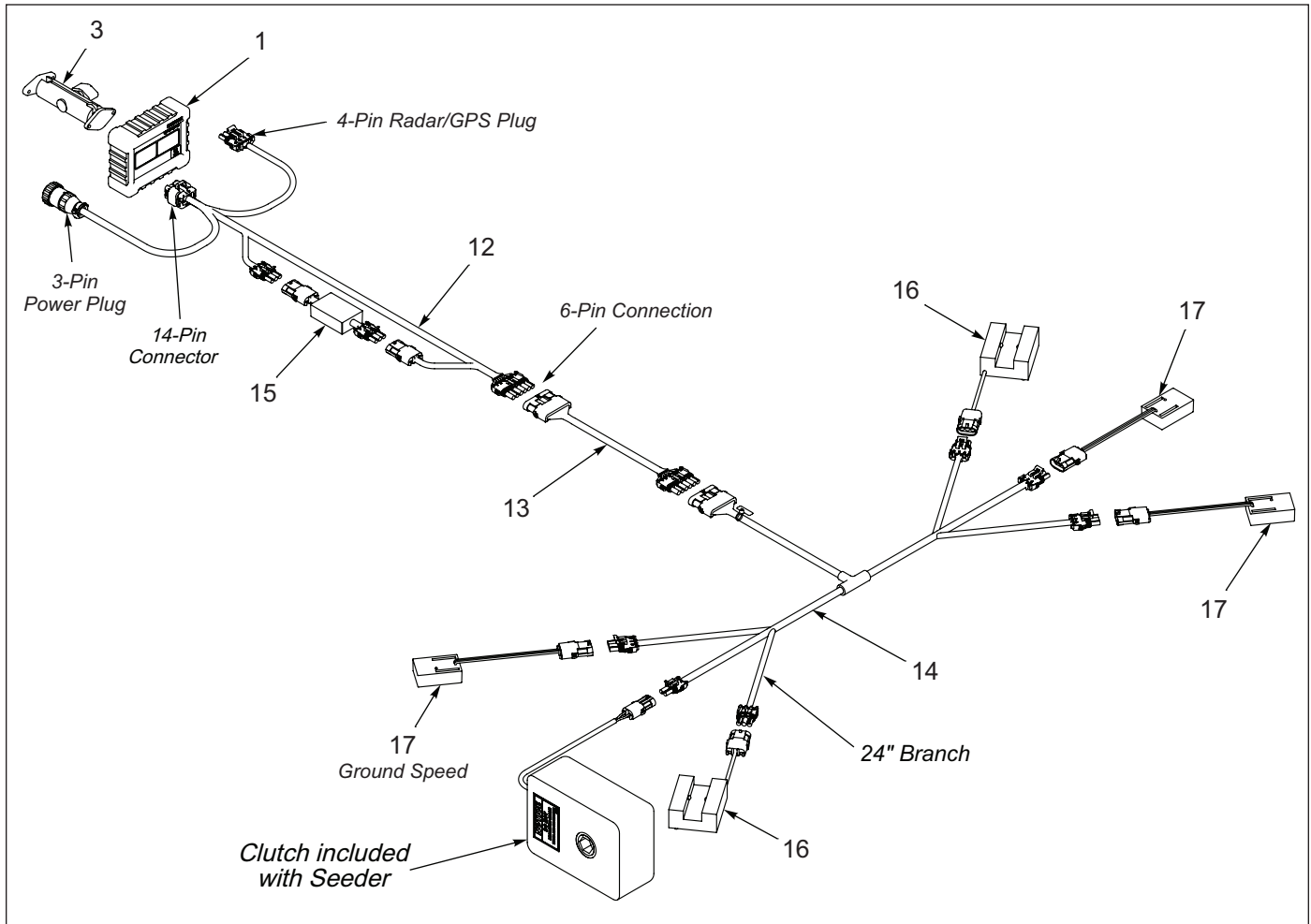


Figure 1-68: Brillion Elite Mini Monitor - Double Seed Box Electrical Schematic

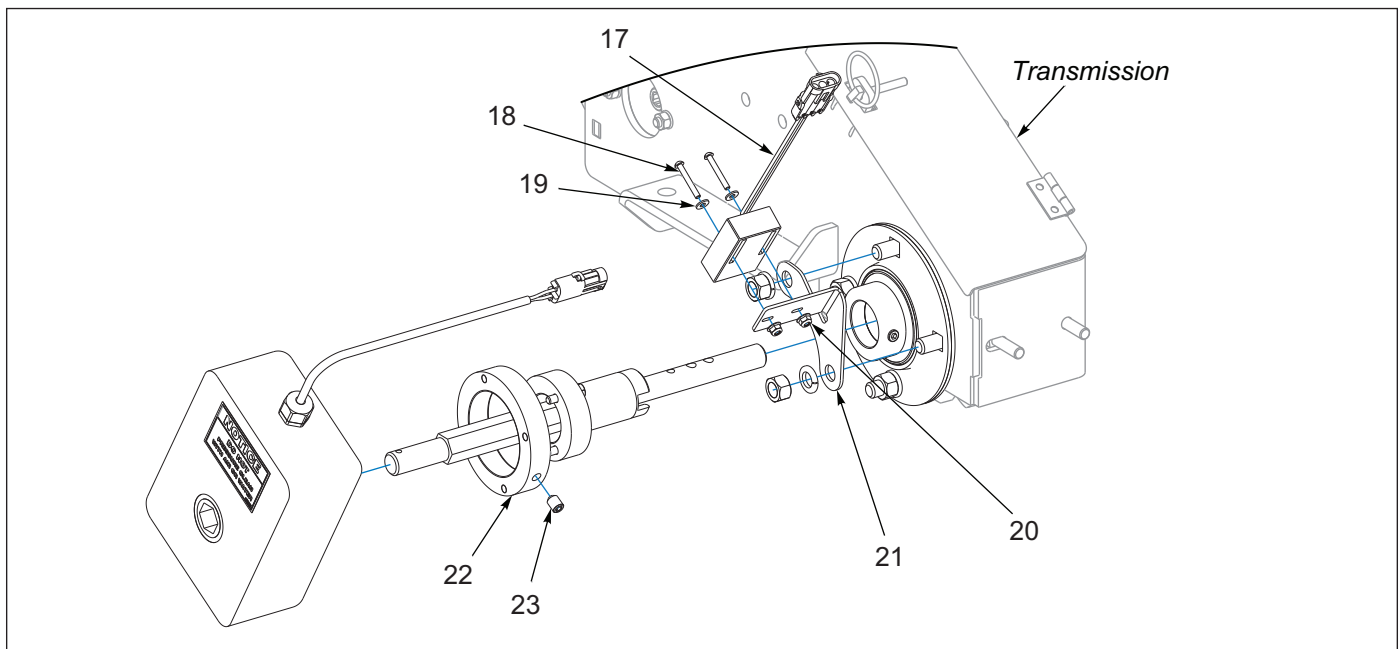


Figure 1-69: Brillion Elite Mini Monitor - Ground Speed

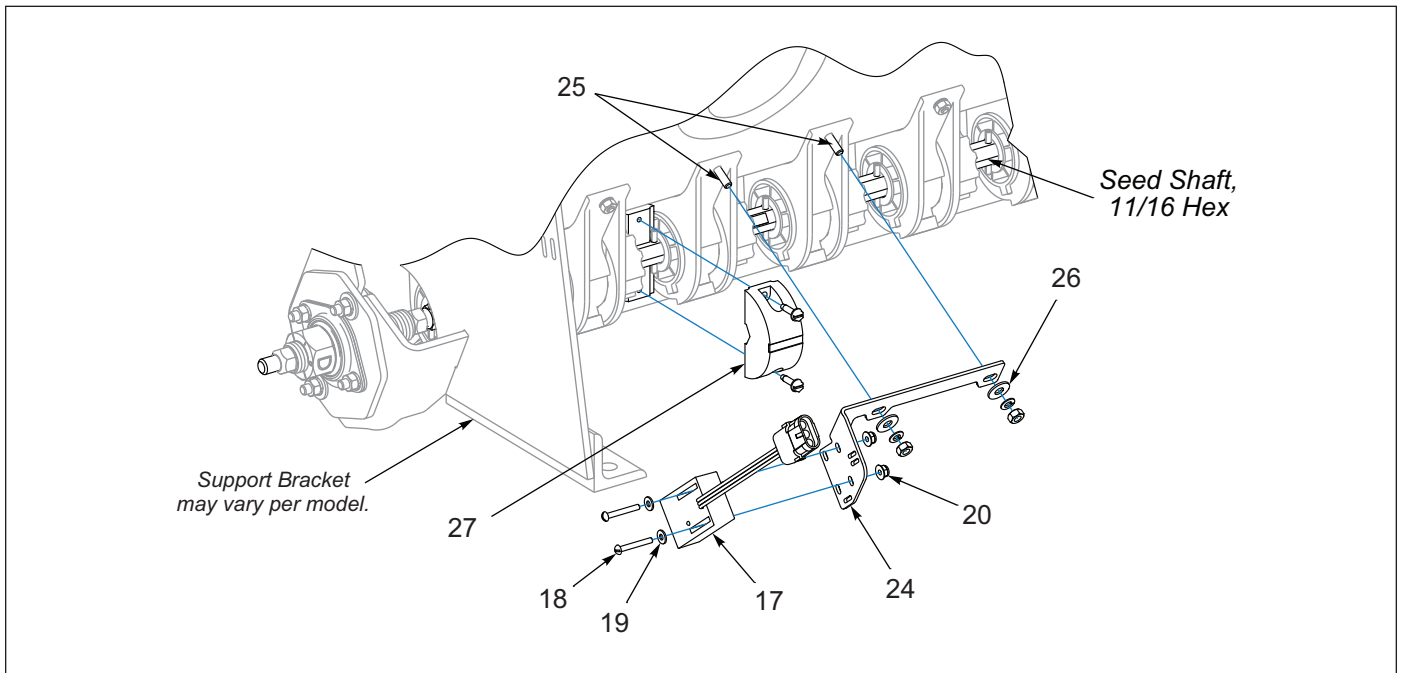


Figure 1-70: Brillion Elite Mini Monitor - Front Seed Box Seed Shaft Sensor

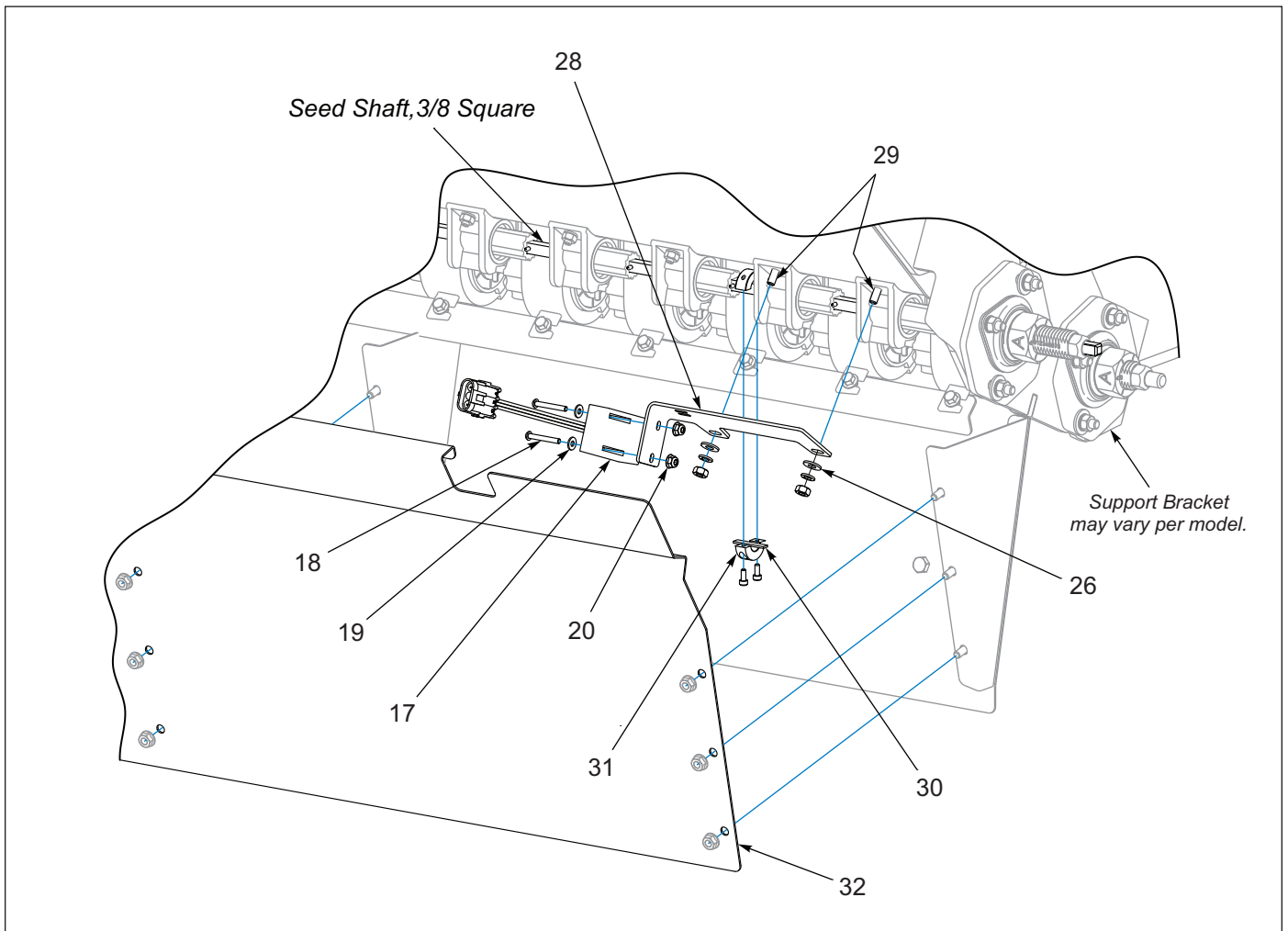


Figure 1-71: Brillion Elite Mini Monitor - Rear Seed Box Seed Shaft Sensor

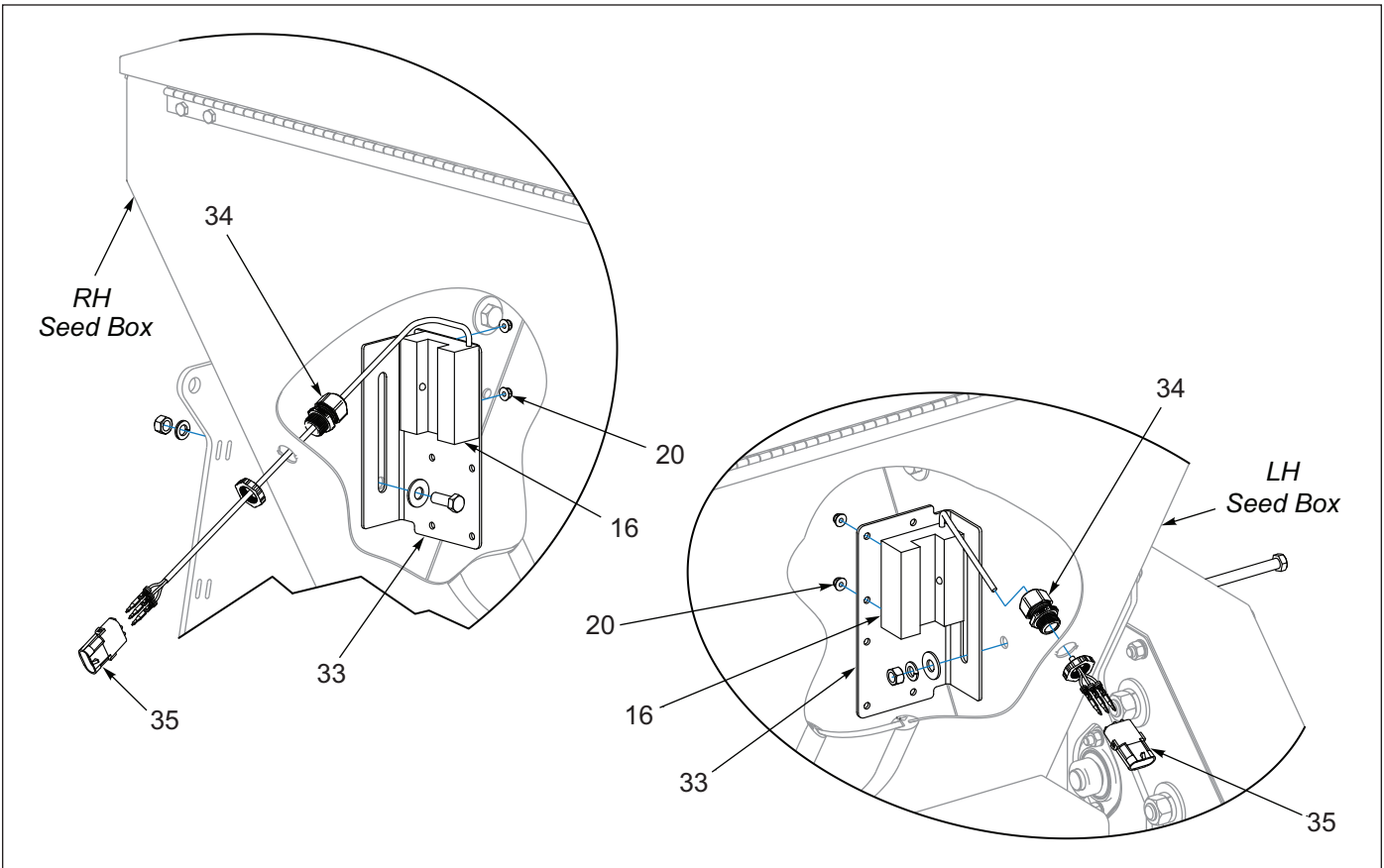


Figure 1-72: Brillion Elite Mini Monitor - Front Seed Box Bin Level Sensor

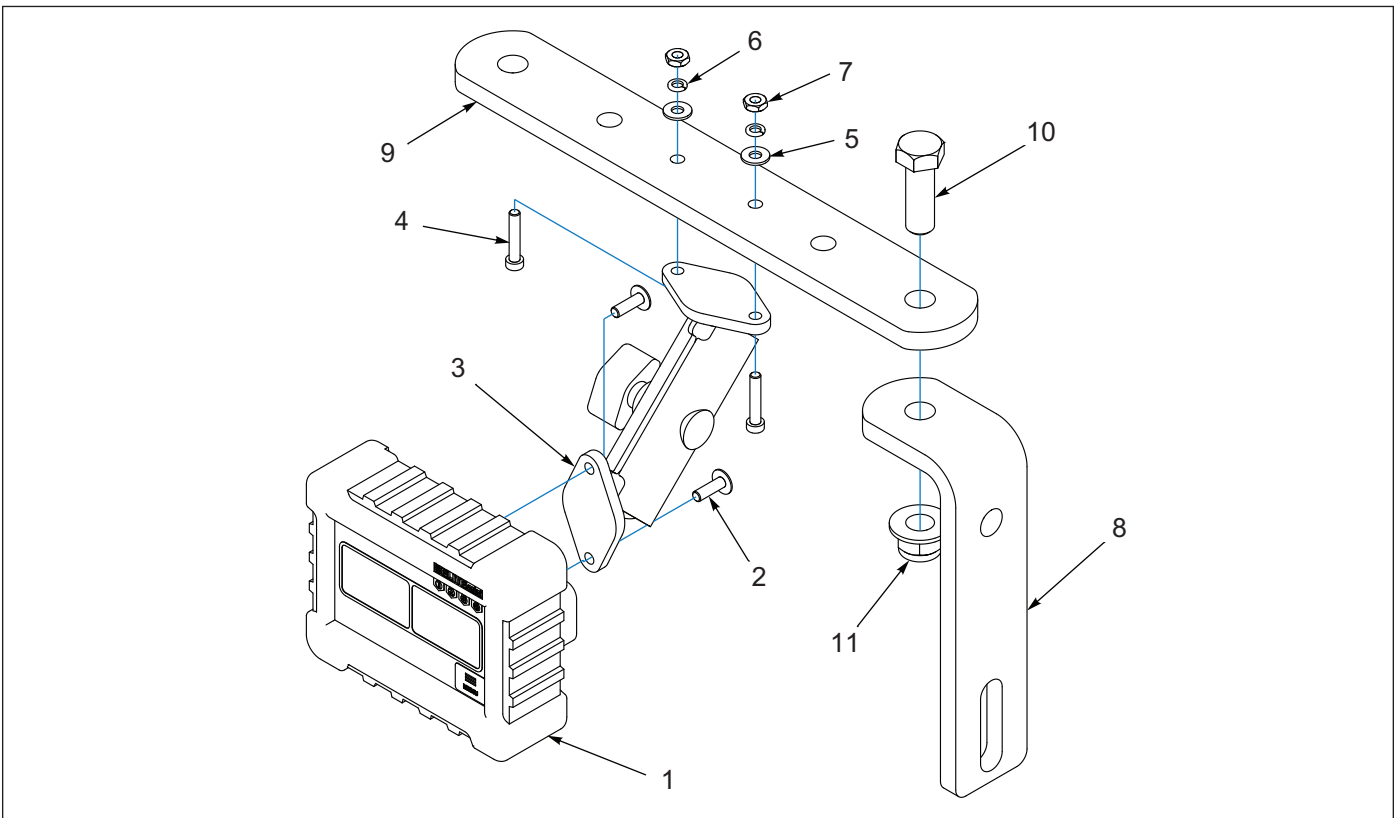


Figure 1-73: Brillion Elite Mini Monitor Tractor Mount

Brillion Elite Mini Monitor Kit - Double Seed Box - Optional

ITEM	PART NUMBER	DESCRIPTION	QTY
	241281	KIT,SLB2 ELITE MINI MONITOR	1
1	233483	MONITOR,BRILLION ELITE MINI (INCLUDES ITEM 2)	1
2	237780	SCREW, M5-0.8X16 FBHSC (METRIC)	2
3	174434	MOUNT, LOUP II MONITOR (INCLUDES ITEMS 4-7)	1
4	197150	SCREW MACK FILL #10-24X1, PHIL	2
5	1-861-010032-03	WASHER, FLAT #10 XP/CD	2
6	1-861-010034-07	WASHER,LKG,HLCL SPR, NO 10	2
7	1-512-010007-03	NUT, HEX 10-24 GR2 ZP	2
8	208527	ANGLE BRACKET,INTERFACE	1
9	208528	STRAIGHT BRACKET, INTERFACE	1
10	1-654-010055-03	SCREW,HEX CAP,1/2-13UNCX1-1/2	1
11	2P253	NUT, FLANGE NY-LOK 1/2-13	1
12	233479	HARNESS, ELITE MINI, TRACTOR	1
13	233481	HARNESS, 240" EXTENSION	1
14	233477	HARNESS, SEEDER	1
15	233480	SMART CLUTCH RELAY	1
16	174399	SENSOR, BIN LEVEL	2
17	174419	SENSOR, SMART SHAFT	3
18	5K262	SCREW,RD HD MACH #8-32X1-1/4	6
19	1-861-010032-02	WASHER,FL #8 ZP/CD	6
20	234115	NUT,FLANGE NY-LOK #8-32	10
21	233476	BRACKET, PICKUP SWITCH	1
22	233485	ACTUATOR ASM, 2-3/4" SHAFT (INCLUDES ITEM 23)	1
23	122709	SCREW,SET,HXSKTCPPT 3/8-16X1/2	1
24	234488	MOUNT, SENSOR, 4.25 SP LGBX	1
25	108787	SCREW MACH HD 1/4-20NCX1 (FRONT BOX)	2
26	1-861-010032-07	WASHER, FLAT 1/4	4
27	185985	MAGNET WHEEL ASM, 11/16 HEX	1
28	234485	MOUNT, SENSOR, 4.25 SPACING	1
29	1C357	SCREW MACH HD 1/4-20NCX3/4 (REAR BOX)	2
30	234192	MAGNET,1-1/4 X 1/4 X 1/16	1
31	233496	COLLAR, MAGNET, 3/8 SQ	1
32	234196	REAR DEFLECTOR, RH SLB212	1
33	233490	BRACKET, BIN LEVEL SENSOR	2
34	234195	CORDGRIP,0.17-0.45XM20THRD	2
35	194841	SHROUD,3-PIN WEATHER PACK	2

Harness Connectors can be purchased separately. **(See Figure 1-83 and 1-84)**

Electronic Acre Meter Kit with Clutch - Optional

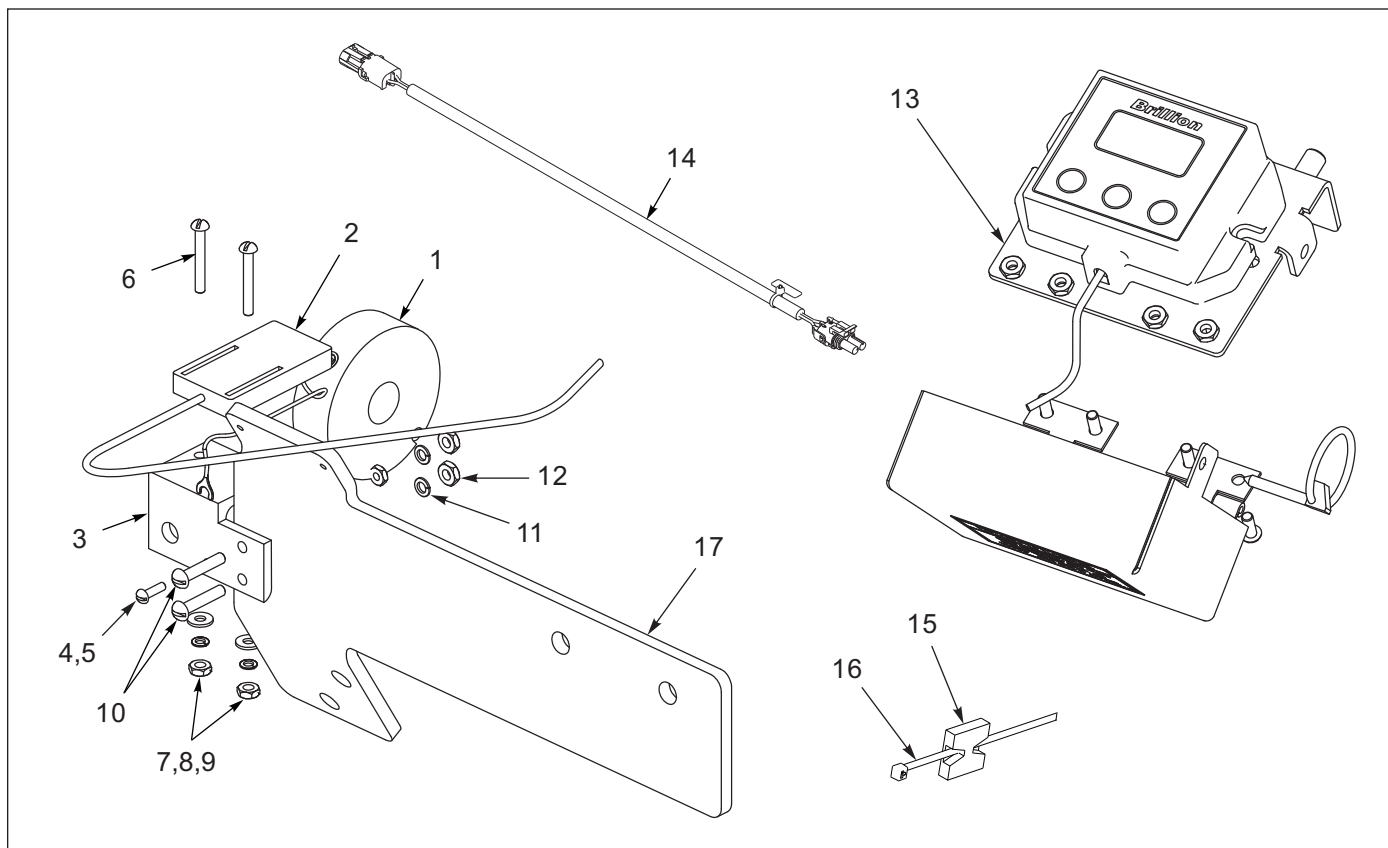


Figure 1-74: Electronic Acre Meter Kit with Clutch - Optional

Electronic Acre Meter Kit with Clutch - Optional

ITEM	PART NUMBER	DESCRIPTION	QTY
	5K275	ACRE METER KIT, TRAN W/CLUTCH (INCLUDES ITEMS 1-16)	1
1	5K277	MAGNET WHEEL ASSEMBLY	1
2	153862	SWITCH ASSY, ELECTRONIC ACRE (PICK-UP SWITCH)	1
3	5K332	MOUNTING CLIP	1
4	2D045	SCREW, RD HD MACH 6-32 X NC X 1/2	1
5	12D6E	NUT, HEX HD #6-32	1
6	5K262	SCREW, RD HD MACH #8-32X1-1/4	2
7	1-861-010032-02	WASHER, FL #8, ZP/CD	2
8	118-5098	#8 LOCK WASHER, ZP	2
9	1-512-010007-02	NUT, HEX 8-32 GR2 ZP	2
10	1-656-010003051	SCREW, RH HD MACH 10-24 X 3/4	2
11	1-861-010034-07	WASHER, LKG, HLCL SPR, NO 10	2
12	1-512-010007-03	NUT, HEX 10-24 GR2 ZP	2
13	253361	ACRE METER W/ENCLOSURE (AFTER 06/01/2025) (SEE PAGE 1-119) (NOT SHOWN)	1
13	5K310	ACRE METER ASSEMBLY (05/15/2012 TO 06/01/2025) (SEE PAGE 1-120) (SHOWN)	1
14	165622	HARNESS-MAKEUP, ACRE METER	1
15	25079	MOUNTING PLATE (ADHESIVE)	6
16	105-0214	TY-WRAP 1/16-1-1/8 TY-524MX	6
17	5K209	BRACKET (INCLUDED WITH TRANSMISSION)	1

Acre Meter Assembly (AFTER 06/01/2025)

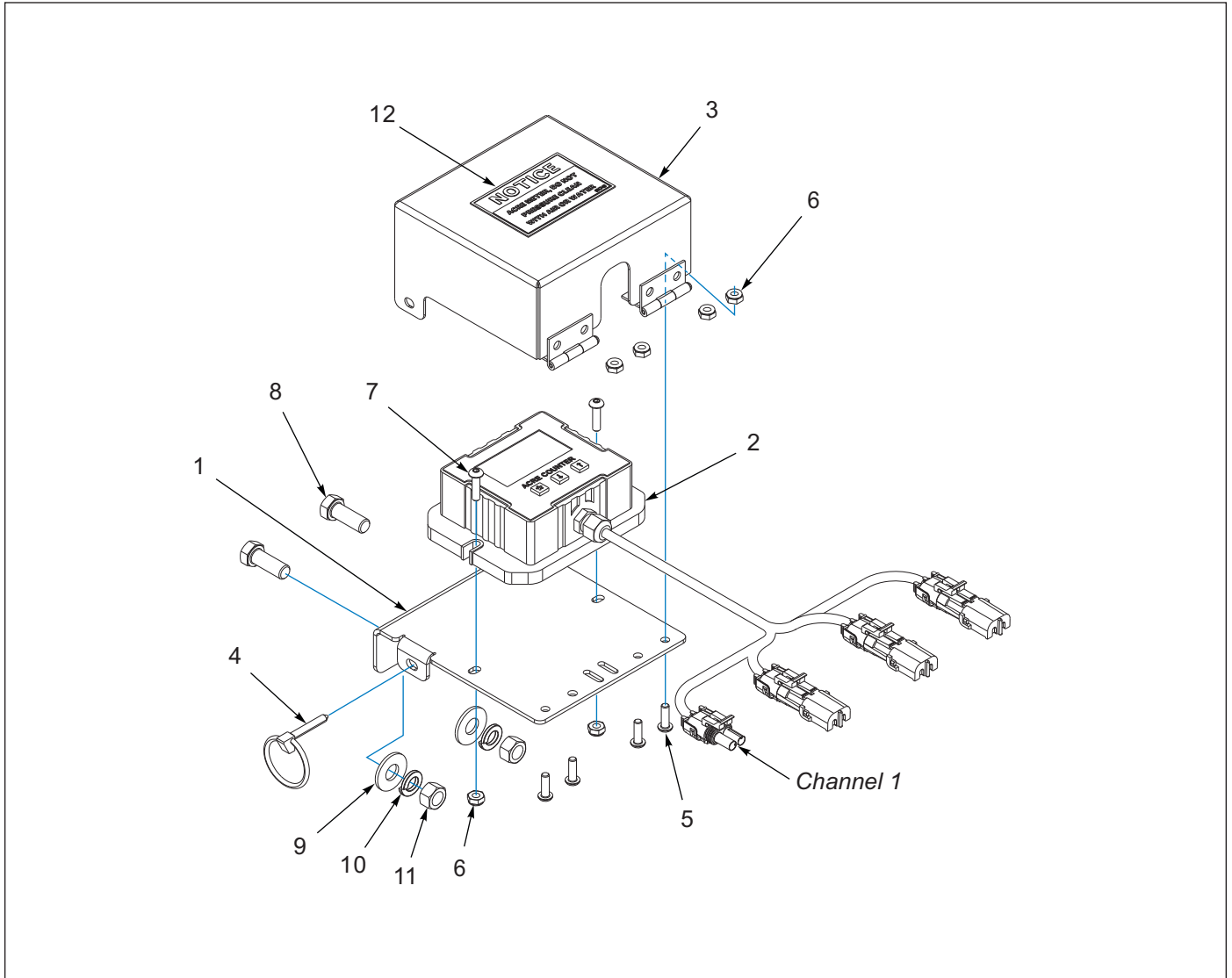


Figure 1-75: Acre Meter Assembly (AFTER 06/01/2025)

Acre Meter Assembly (AFTER 06/01/2025)

ITEM	PART NUMBER	DESCRIPTION	QTY
	253361	ACRE METER W/ENCLOSURE	1
1	253360	BRACKET, ACRE METER	1
2	254817	METER, ACRE 4 CHANNEL	1
3	253359	COVER, ACRE METER	1
4	5D129	KLIK PIN (3/16 X 1-1/4)	1
5	109394	SCREW, BHSC #10-24UNCX5/8	4
6	1-512-010003-06	NUT,HEX,SLFLKG W/NLY 10-24	6
7	109410	SCREW, BHSC #10-24UNCX3/4	2
8	1-654-010051-05	SCREW,HEX CAP 3/8-16UNCX1 GR5	2
9	1-861-010032-11	WASHER, FLAT 3/8 W ZP/CD	2
10	1-861-010034-11	WASHER, LKG HLCL SPR, 3/8	2
11	1-512-010007-07	NUT, HEX 3/8-16 GR2 ZP	2
12	9K740	DECAL, ACRE METER	1

Acre Meter Assembly (05/15/2012 TO 06/01/2025)

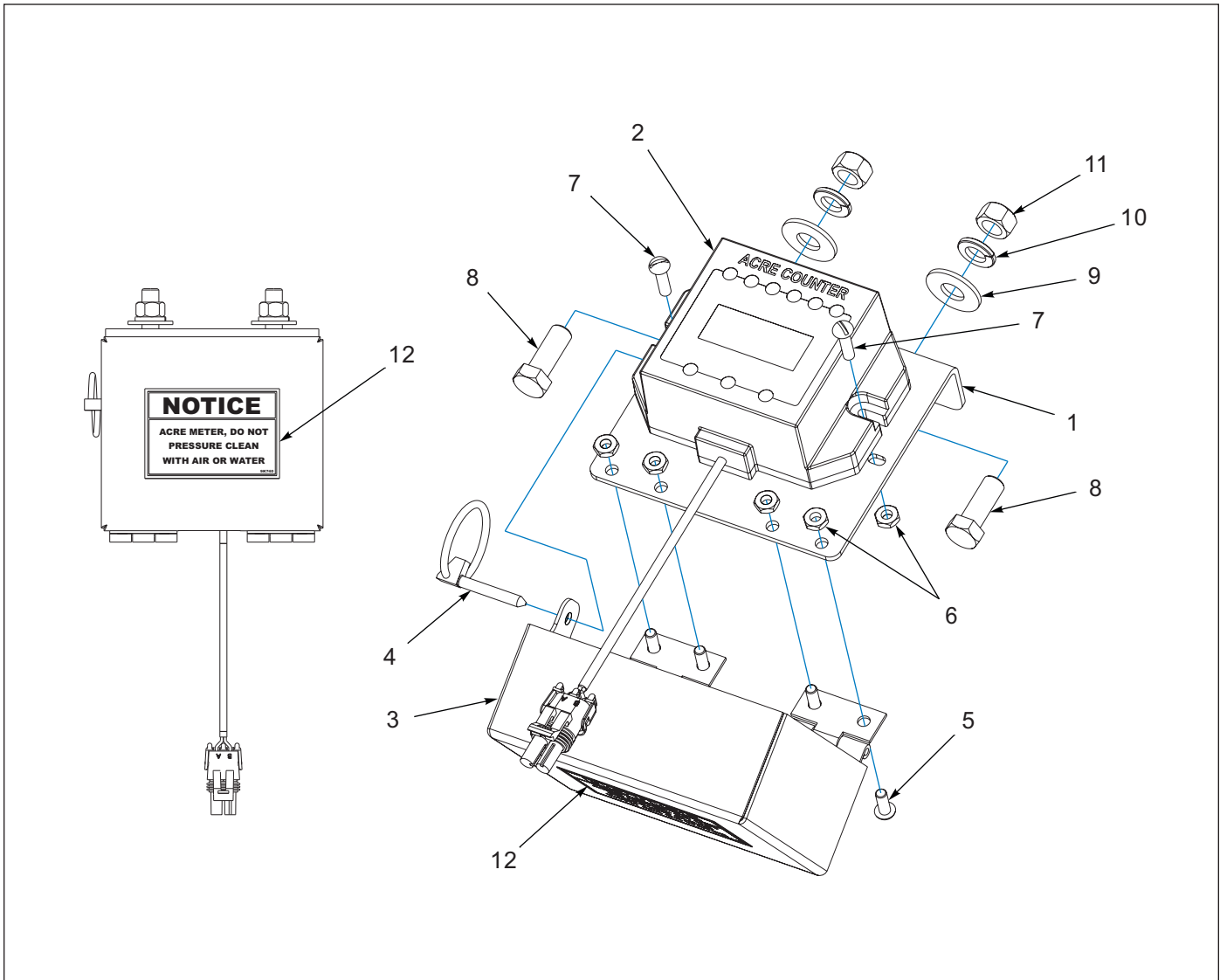


Figure 1-76: Acre Meter Assembly (05/15/2012 TO 06/01/2025)

Acre Meter Assembly (05/15/2012 TO 06/01/2025)

ITEM	PART NUMBER	DESCRIPTION	QTY
	5K310	ACRE METER ASSEMBLY (OBSOLETE)	1
1	170943	MOUNT-ACRE METER	1
2	170948	CONSOLE, ELECTRONIC ACRE (OBSOLETE)	1
3	170946	COVER-ACRE METER, WELDMENT	1
4	5D129	KILN-PIN (3/16 X 1-1/4)	1
5	1C213	STOVE BOLT #10-24X1/2 RD HD ZP	4
6	1-512-010007-03	NUT, HEX 10-24 GR2 ZP	6
7	1-656-010003051	SCREW,RH HD MACH 10-24X3/4	2
8	1-654-010051-05	SCREW,HEX CAP 3/8-16UNCX1 GR5	2
9	1-861-010032-11	WASHER, FLAT 3/8 W ZP/CD	2
10	1-861-010034-11	WASHER, LKG HLCL SPR, 3/8	2
11	1-512-010007-07	NUT, HEX 3/8-16 GR2 ZP	2
12	9K740	DECAL, ACRE METER	1

Acre Meter Assembly (BEFORE 05/15/2012)

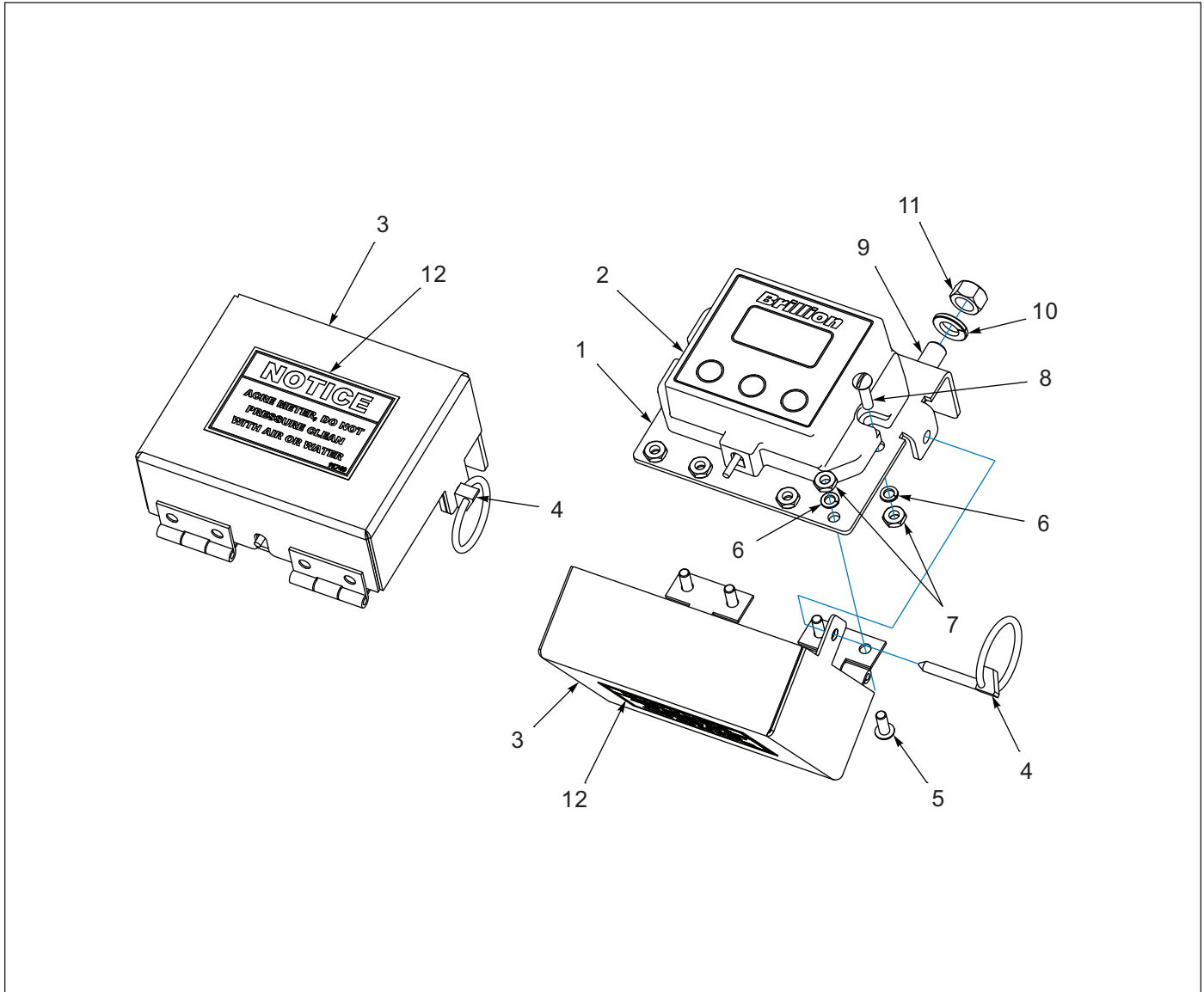


Figure 1-77: Acre Meter Assembly (BEFORE 05/15/2012)

Acre Meter Assembly (BEFORE 05/15/2012)

ITEM	PART NUMBER	DESCRIPTION	QTY
1	9K739	BRACKET, ACRE METER	1
2	153861	CONSOLE, ELECTRONIC ACRE (OBSOLETE)	1
3	9K741	COVER, ACRE METER WLD	1
4	5D129	KLIK-PIN (3/16 X 1-1/4)	1
5	1C213	STOVE BOLT, #10-24 X 1/2, RD HD, ZP	4
6	1-861-010034-07	WASHER, LKG, HLCL SPR NO 10	6
7	1-512-010007-03	NUT, HEX 10-24 GR2 ZP	6
8	1-656-010003051	SCREW,RH HD MACH 10-24X3/4	2
9	1-654-010051-05	SCREW,HEX CAP 3/8-16UNCX1 GR5	2
10	1-861-010034-11	WASHER, LKG HLCL SPR, 3/8	2
11	1-512-010007-07	NUT, HEX 3/8-16 GR2 ZP	2
12	9K740	DECAL, ACRE METER	1

Console w/Clutch Control Kit - Optional

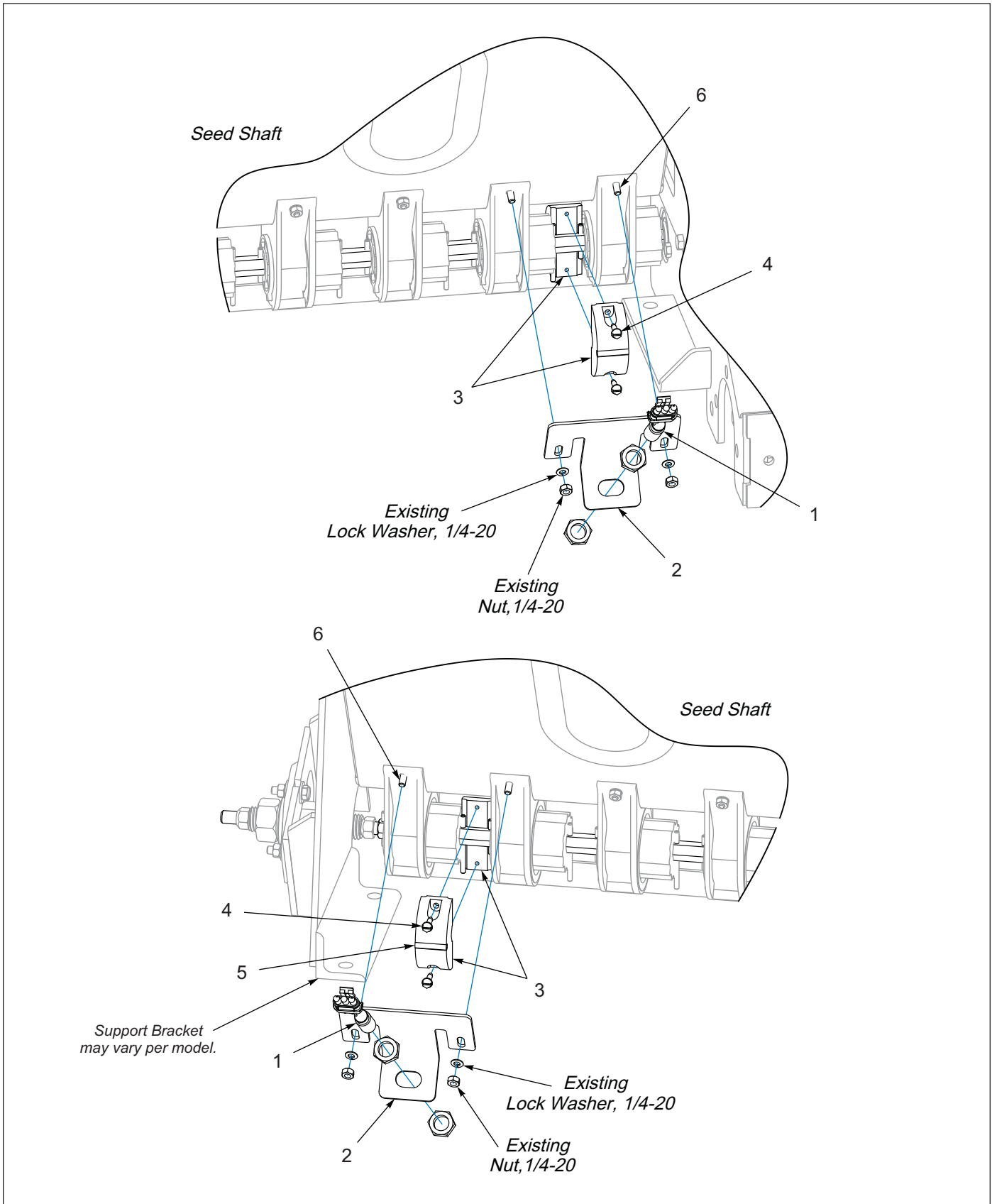


Figure 1-78: Console w/Clutch Control - Seed Shaft Sensor - Optional

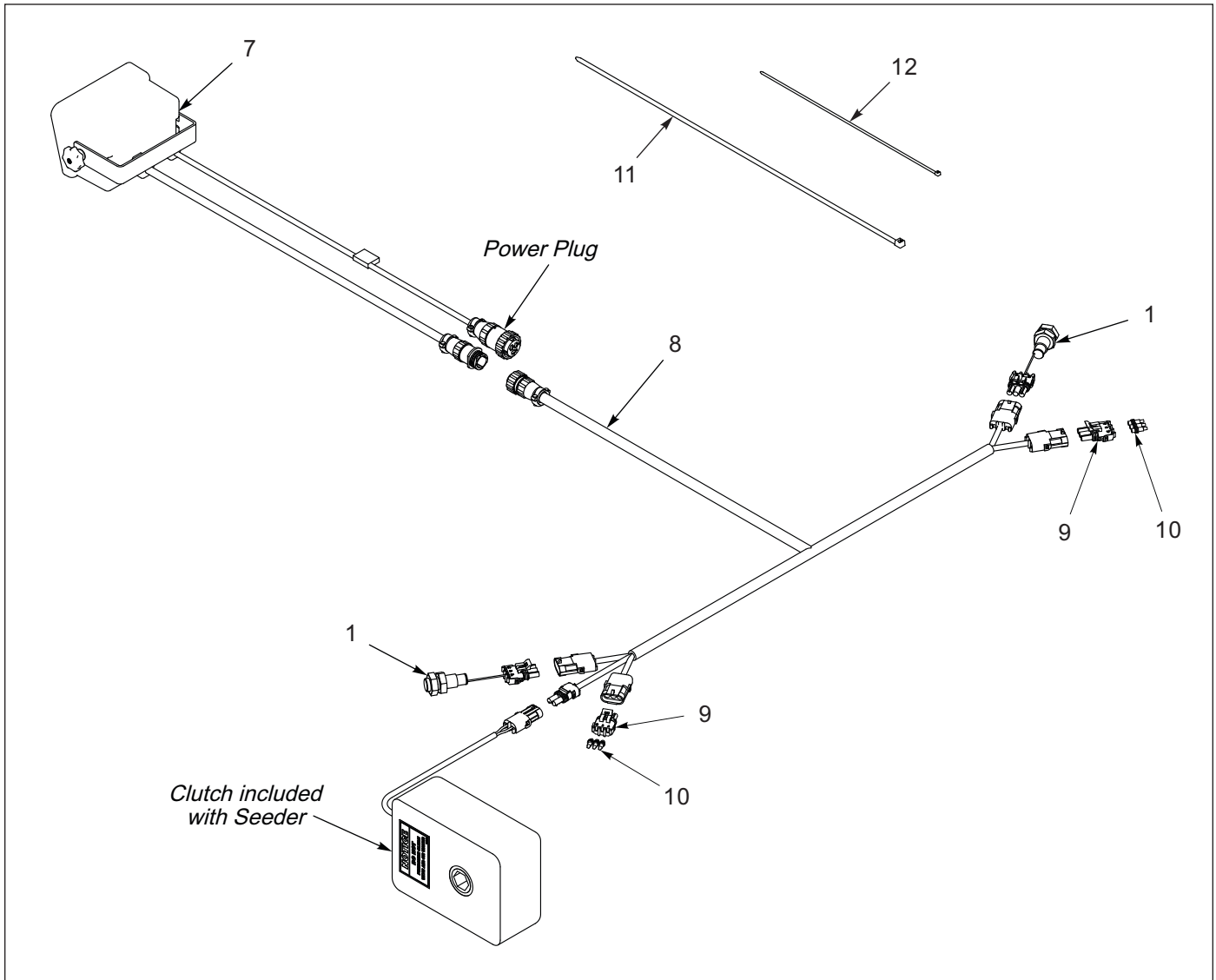


Figure 1-79: Console w/Clutch Control Electrical Schematic - Optional

Console w/Clutch Control Kit - Optional

ITEM	PART NUMBER	DESCRIPTION	QTY
	188858	KIT, TURF SHAFT SENSOR	1
1	185944	SENSOR, SEED SHAFT	2
2	185948	BRCKT, SHAFT SENSOR, LARGE MTR	2
3	185985	MAGNET WHL ASM, 11/16 HEX (INCLUDES ITEMS 4, 5)	2
4	172935	SCREW, 10-24 X 3/4, HH SELF TAPPIN	4
5	185984	MAGNET, RND 1/4 X 1-1/4	2
6	1C357	MACHINE SCREW, 1/4-20 X 3/4	4
7	185996	CONSOLE, SEEDER W/CLUTCH CONTROL (MOUNTED ON TRACTOR) (SEE PAGE 1-129)	1
8	185975	HARNESS, WING SEEDER (INCLUDES ITEMS 9, 10) (SEE PAGE 1-128 AND PAGE 1-129)	1
9	4001294	WIRE 3 WAY FEMALE 38045 (TOWER)	2
10	151273	PLUG SEAL, CABLE CAVITY	8
11	1-796-010003-01	TIE, STRAP, PLASTIC .184 X 7.31	12
12	105-0228	TIE WRAP	8

Rear Roller Assemblies with Turfmaker Sprockets - Optional

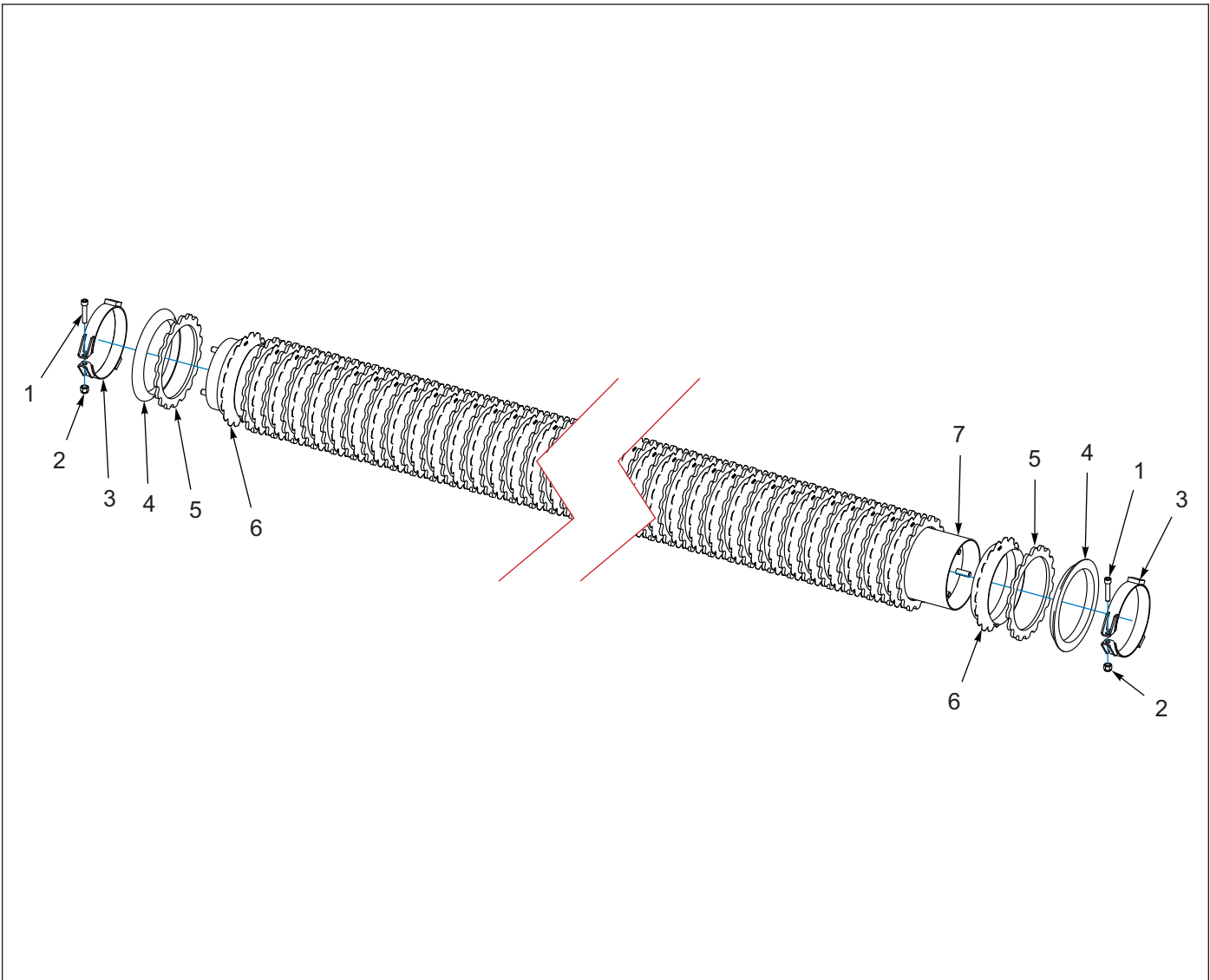


Figure 1-80: Rear Roller Assemblies with Turfmaker Sprockets - Optional

Rear Roller Assemblies with Turfmaker Sprockets - Optional

ITEM	PART NUMBER	DESCRIPTION	QTY		
			8'	10'	12'
		MODELS	8'	10'	12'
	5K279	8' REAR ROLLER ASSY W/SPACERS	1	--	--
	5K280	10' REAR ROLLER ASSY W/SPACERS	--	1	--
	5K281	12' REAR ROLLER ASSY W/SPACERS	--	--	1
1	118577	SCREW, HX SKT HD1/2-13 X 2-1/2, ZP	2	2	2
2	2C112	NUT, HX LOCK 1/2-13NC HVY ELSTC	2	2	2
3	2C055	CLAMP BAND-ORDER 2C801	2	2	2
4	2C524	HALF WHEEL	2	2	2
5	4K913	TURFMAKER WHEEL SPACER	36	45	54
6	4C689	REAR SAND WHEEL	35	44	53
7	9J895	PIPE 8' WELDMENT	1	--	--
7	9J337	PIPE 10' WELDMENT	--	1	--
7	2K455	PIPE 12' WELDMENT	--	--	1

Hydraulic Cylinder, 2-1/2 x 6 - Lion (AFTER 01/15/2008)

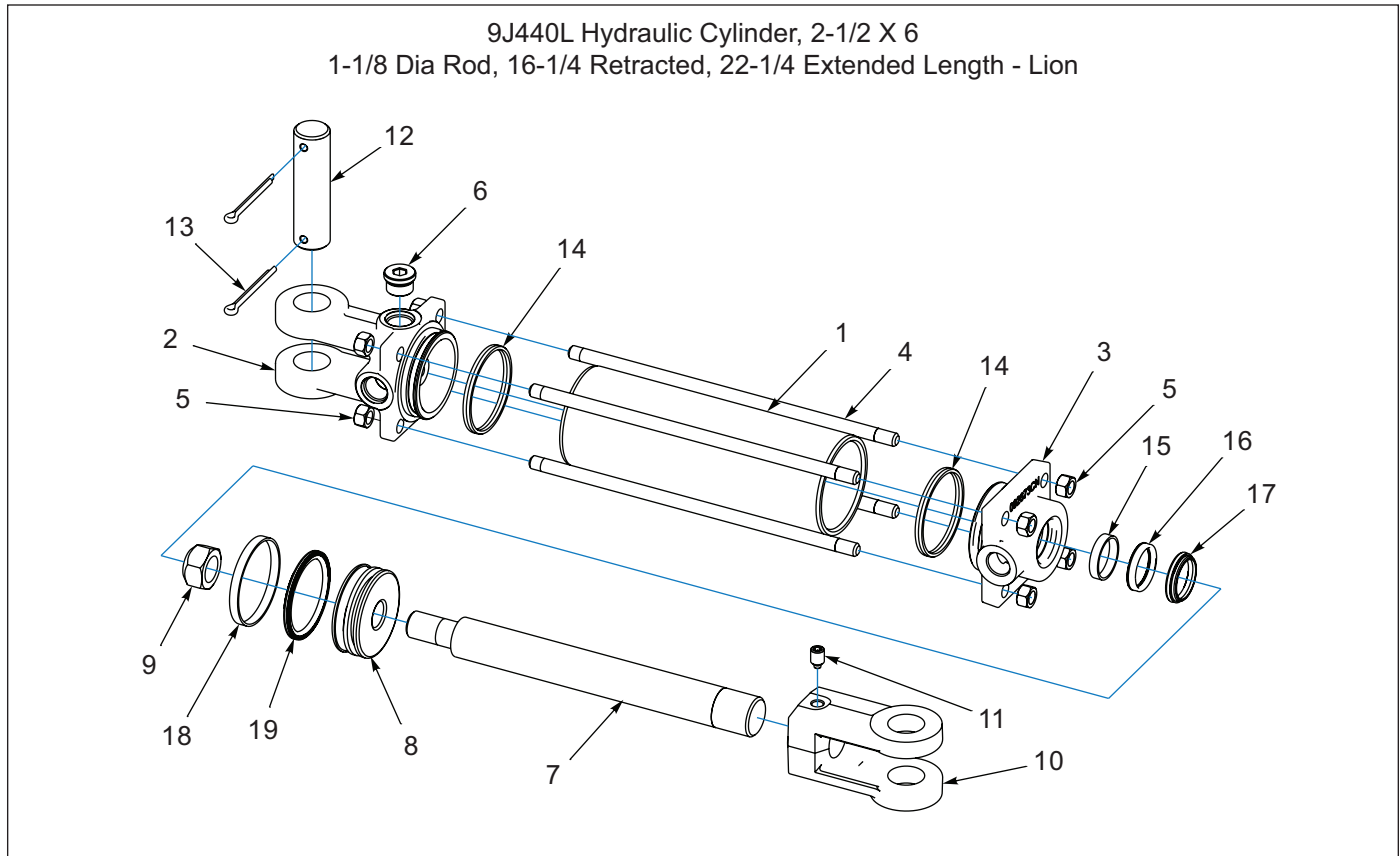


Figure 1-81: Hydraulic Cylinder, 2-1/2 x 6 - Lion (AFTER 01/15/2008)

Hydraulic Cylinder, 2-1/2 x 6 - Lion (AFTER 01/15/2008)

ITEM	PART NUMBER	DESCRIPTION	QTY
	9J440	HYD CYLINDER - 2 1/2 X 6	1
1	-----	TUBE	1
2	-----	CLEVIS CAP	1
3	-----	ROD CAP	1
4	-----	TIE ROD	4
5	1C277	NUT, HEX 3/8-16 ZP	8
6	-----	PLUG, SOCKET HEAD 3/4-16	1
7	-----	ROD	1
8	-----	PISTON	1
9	1P805	NUT, HEX SLFLKG 3/4-16	1
10	2P735	CLEVIS, 1"PIN X 1.125-12 X 2.2 (INCLUDES ITEM 11)	1
11	1P443	SET SCREW, 3/8-16 X 1/2 NYL	1
12	5J650	PIN,CLEVIS 1.0X3.625	1
13	6C468	PIN,COTTER 3/16 X 2IN LG	2
14	-----	SEAL DUAL 2.50	2
15	-----	WEAR RING 1.25-1.13-0.250	1
16	-----	SEAL ZURCON U-CUP RU9 1.13	1
17	-----	SEAL WIPER 1.13 WNUC	1
18	-----	WEAR RING 2.50-2.38-0.250	1
19	-----	SEAL ZURCON WYNSEAL 2.50"	1
20	1P742	LION CYLINDER SEAL KIT (2.5") (INCLUDES ITEMS 14-19)	1

Hydraulic Cylinder, 2-1/2 x 6 - Hydraulic Gear (BEFORE 01/14/2008)

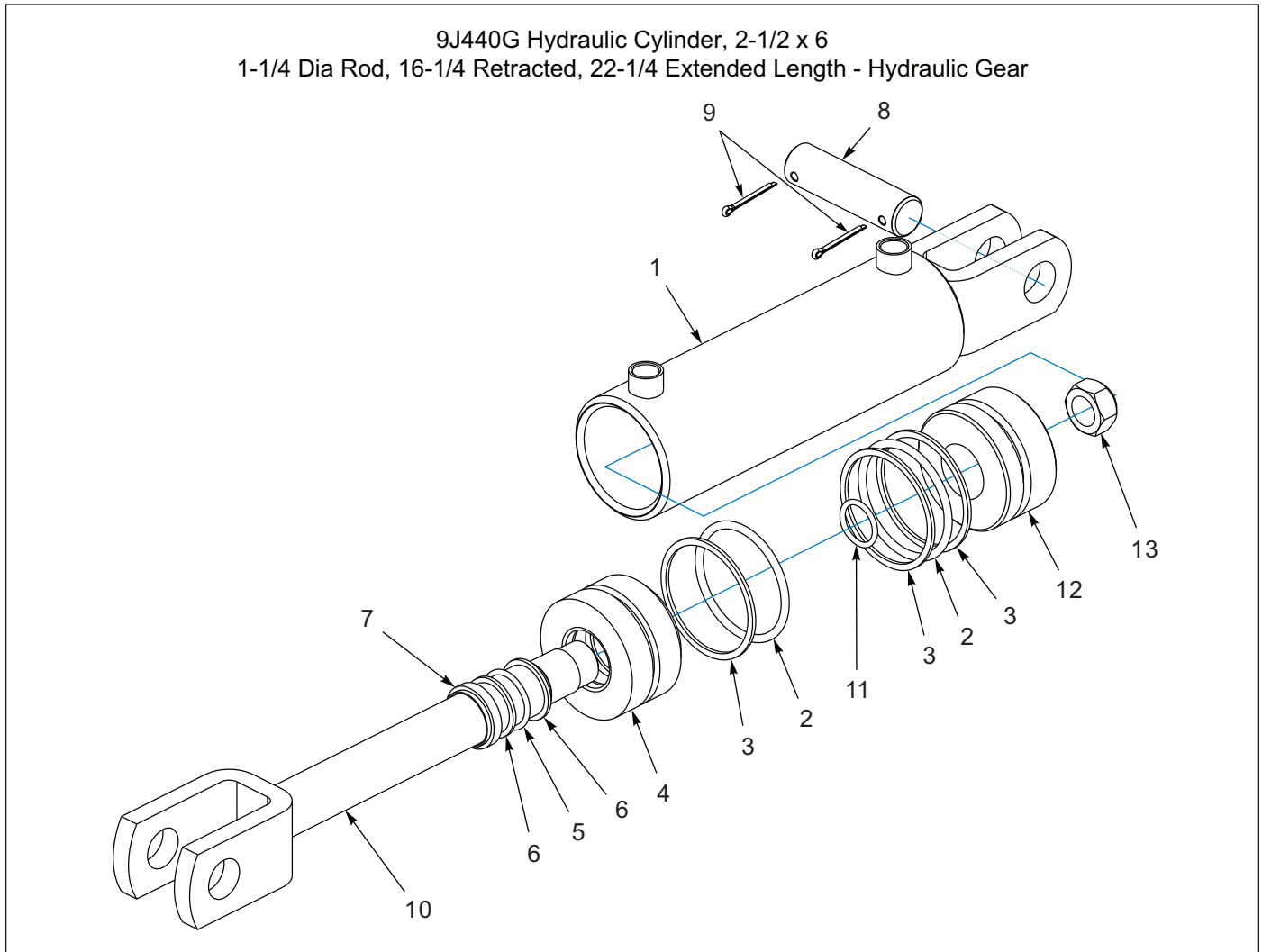


Figure 1-82: Hydraulic Cylinder, 2-1/2 x 6 - Hydraulic Gear (BEFORE 01/14/2008)

Hydraulic Cylinder, 2-1/2 x 6 - Hydraulic Gear (BEFORE 01/14/2008)

ITEM	PART NUMBER	DESCRIPTION	QTY
	9J440	HYD CYLINDER 2 1/2X6	--
1	9J655	TUBE ASSEMBLY	1
2	-----	O-RING	2
3	-----	BACK-UP RING	2
4	6J544	PACKING GLAND	1
5	-----	O-RING	1
6	-----	BACK-UP RING	2
7	-----	WIPER	1
8	5J650	CYLINDER PIN	1
9	4C856	COTTER PIN, 3/16 X 2	2
10	9J656	ROD ASSEMBLY	1
11	-----	SEAL	1
12	6J546	PISTON	1
13	6D918	NUT, HEX LOCKING 3/4 - 16	1
14	6J542	SEAL KIT (INCLUDES ITEMS 2,3,5,6,7 AND 11)	1

Weather Pack Connectors

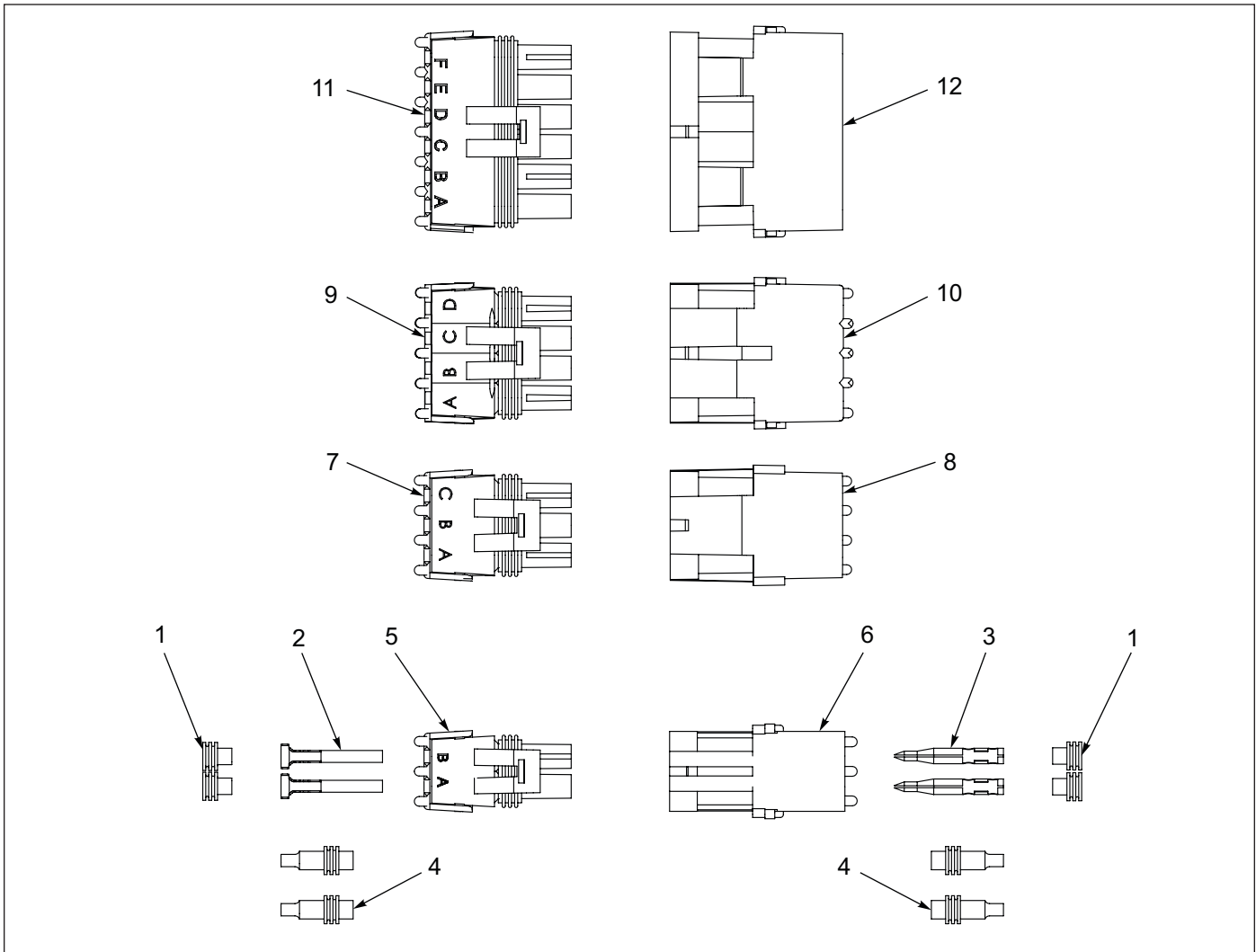


Figure 1-83: Weather Pack Connectors

Weather Pack Connectors

ITEM	PART NUMBER	DESCRIPTION	DELPHI P/N
1	154851	SEAL, CABLE WEATHER PACK	12015323
2	139974	TERMINAL,WP TOWER 16-14AWG	12124580
2	194840	TERMINAL,WP TOWER 20-18AWG	12089188
3	137654	TERMINAL,WP SHROUD 12-10AWG	12124587
3	4000671	TERMINAL,WP SHROUD 16-14AWG	12124582
3	122405	TERMINAL,WP SHROUD 20-18AWG	12089040
4	151273	PLUG SEAL,CABLE CAVITY	12010300
5	154852	TOWER, 2-PIN WEATHER PACK	12015792
6	122404	SHROUD, 2 PIN WEATHER PACK	12010973
7	4001294	TOWER, 3-PIN WEATHER PACK	12015793
8	194841	SHROUD, 3-PIN WEATHER PACK	12010717
9	166298	TOWER, 4-PIN WEATHER PACK	12015797
10	166297	SHROUD, 4-PIN WEATHER PACK	12010974
11	194904	TOWER, 6-PIN WEATHER PACK	12015799
12	194903	SHROUD, 6-PIN WEATHER PACK	12010975

AMP Connectors

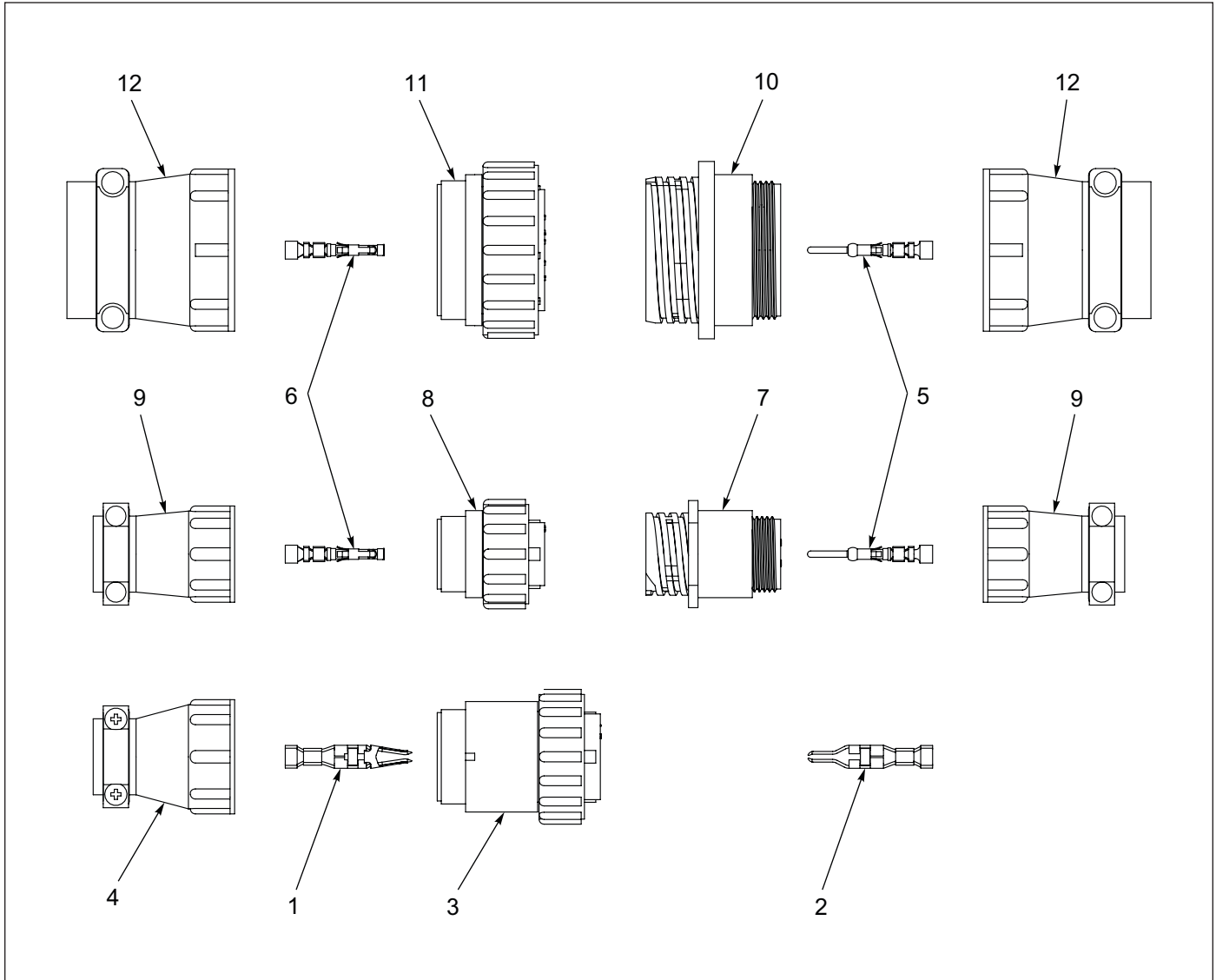


Figure 1-84: AMP Connectors

AMP Connectors

ITEM	PART NUMBER	DESCRIPTION	TE CONNECTIVITY PART NUMBER
1	194102	TERMINAL, POWER PLUG 16-12AWG	2-66740-1
2	194103	TERMINAL, POWER RECPT 16-12AWG	66261-5
3	194104	POWER PLUG ASM, 3-PIN, SIZE 17	206037-2
4	194105	BACKSHELL ASM, SIZE 17	206070-8
5	194745	TERMINAL, PIN 18-14AWG	1-66359-9
6	194744	TERMINAL, SOCKET 18-14AWG	1-66358-9
7	194106	RECEPTACLE, 9-PIN, SIZE 13	206705-2
8	194107	PLUG ASM, 9-PIN, SIZE 13	206708-1
9	194108	BACKSHELL ASM, SIZE 13	206966-7
10	194109	RECEPTACLE, 24-PIN, SIZE 23	206838-1
11	194110	PLUG ASM, 24-PIN, SIZE 23	206837-1
12	194111	BACKSHELL ASM, SIZE 23	206512-5

Decals



ITEM 1 - 4K037



ITEM 2 - 4K039



ITEM 3 - 4K388



ITEM 9 - 9J301



WARNING
MOVING PART HAZARD
TO PREVENT SERIOUS INJURY FROM MOVING PARTS:
• KEEP COVERS CLOSED DURING OPERATION.
• DO NOT ALLOW ANYONE TO RIDE OR CLIMB MACHINE DURING OPERATION.
• KEEP OBSERVERS AWAY.

2K123

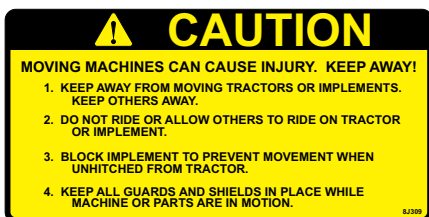


ITEM 7
9K788

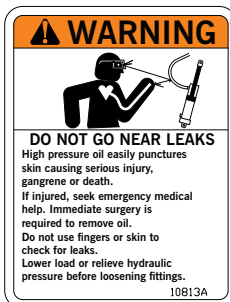


ITEM 13 - 2P151 (BEF. 01/26)
ITEM 13 - 70260977 (AFT. 01/26)

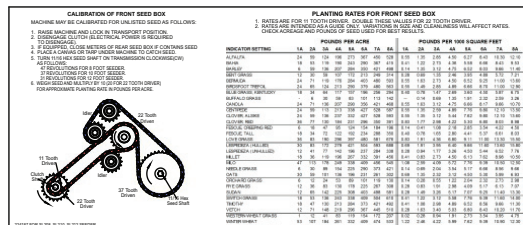
ITEM 10
2K123



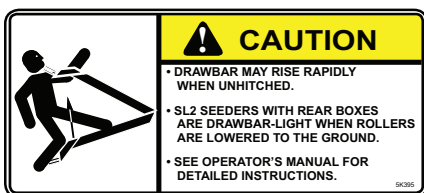
ITEM 8 - 8J309



ITEM 14
3K706

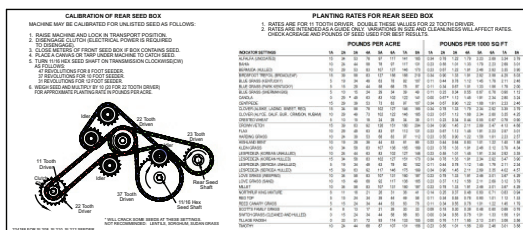


ITEM 11
224187 - (Front) Seed Chart (AFT. 01/2020)
5K286 - (Front) Seed Chart (BEF. 01/2020)



ITEM 15 - 5K395

ITEM 20
9J429



ITEM 12
224188 - (Rear) Seed Chart (AFT. 01/2020)
5K285 - (Rear) Seed Chart (BEF. 01/2020)



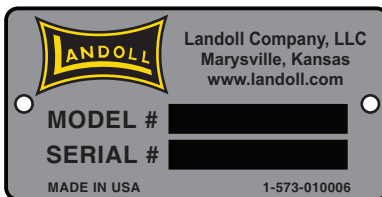
ITEM 21 - 170509



ITEM 22 - 4K036



ITEM 16 - 9J302



ITEM 18 - 1-573-010006



ITEM 17 - 235624

Figure 1-85: Decals

Decals

ITEM	PART NUMBER	DESCRIPTION	QTY			
			SINGLE BOX 8'/10'	SINGLE BOX 12'	DOUBLE BOX 8'/10'	DOUBLE BOX 12'
		MODELS				
1	4K037	DECAL - BRILLION (2 3/4 X 32)	1	1	1	1
2	4K039	DECAL-BRILLION (3 1/2 X 40)	1	1	1	1
3	4K388	DECAL - 'TURFMAKER'	2	2	2	2
4	528933	REFLECTOR - RED	2	4	2	4
5	528938	STRIPE, ORANGE	2	3	2	3
6	528934	REFLECTOR - YELLOW	2	2	2	2
7	9K788	DECAL, LATCH	4	4	4	4
8	8J309	DECAL - 'CAUTION'	1	1	1	1
9	9J301	DECAL - 'PARKING PIN'	1	1	1	1
10	2K123	DECAL - 'WARNING'	2	2	2	2
11	224187	SEED CHART,FRONT BOX SL2 (AFTER 01/2020)	1	1	1	1
11	5K286	SEED CHART FOR SL2-FRONT BOX (BEFORE 01/2020)	1	1	1	1
12	224188	SEED CHART,REAR BOX SL2 (AFTER 01/2020)	--	--	1	1
12	5K285	SEED CHART FOR SL2-REAR BOX (BEFORE 01/2020)	--	--	1	1
13	70260977	SMV EMBLEM (AFTER 01/2026)	1	1	1	1
13	2P151	SMV W/BACKET (BEFORE 01/2026)	1	1	1	1
14	3K706	DECAL-WARNING HYDRAULIC LEAKS (DRAWBAR ONLY)	1	1	1	1
15	5K395	DECAL - RISING DRAWBAR (DRAWBAR ONLY)	1	1	1	1
16	9J302	DECAL CAUTION PARK PIN (3-PT ONLY)	1	1	1	1
17	235624	DECAL, QR CODE LANDSCAP SEEDER	1	1	1	1
18	1-573-010006	PLACEARD, NAME	1	1	1	1
19	107-0814	RIVET, 1/8 X 1/8 ALUM POP (HARDWARE FOR ITEM 18)	2	2	2	2
20	9J429	DECAL,AMBER (SHAFTS) (CUT INTO 6PCS)	1	1	1	1
21	170509	DECAL,BRILLION LANDOLL 40"	1	1	1	1
22	4K036	DECAL-BRILLION (2 3/4 X 20)	2	2	2	2

Decal Placement - Hitch

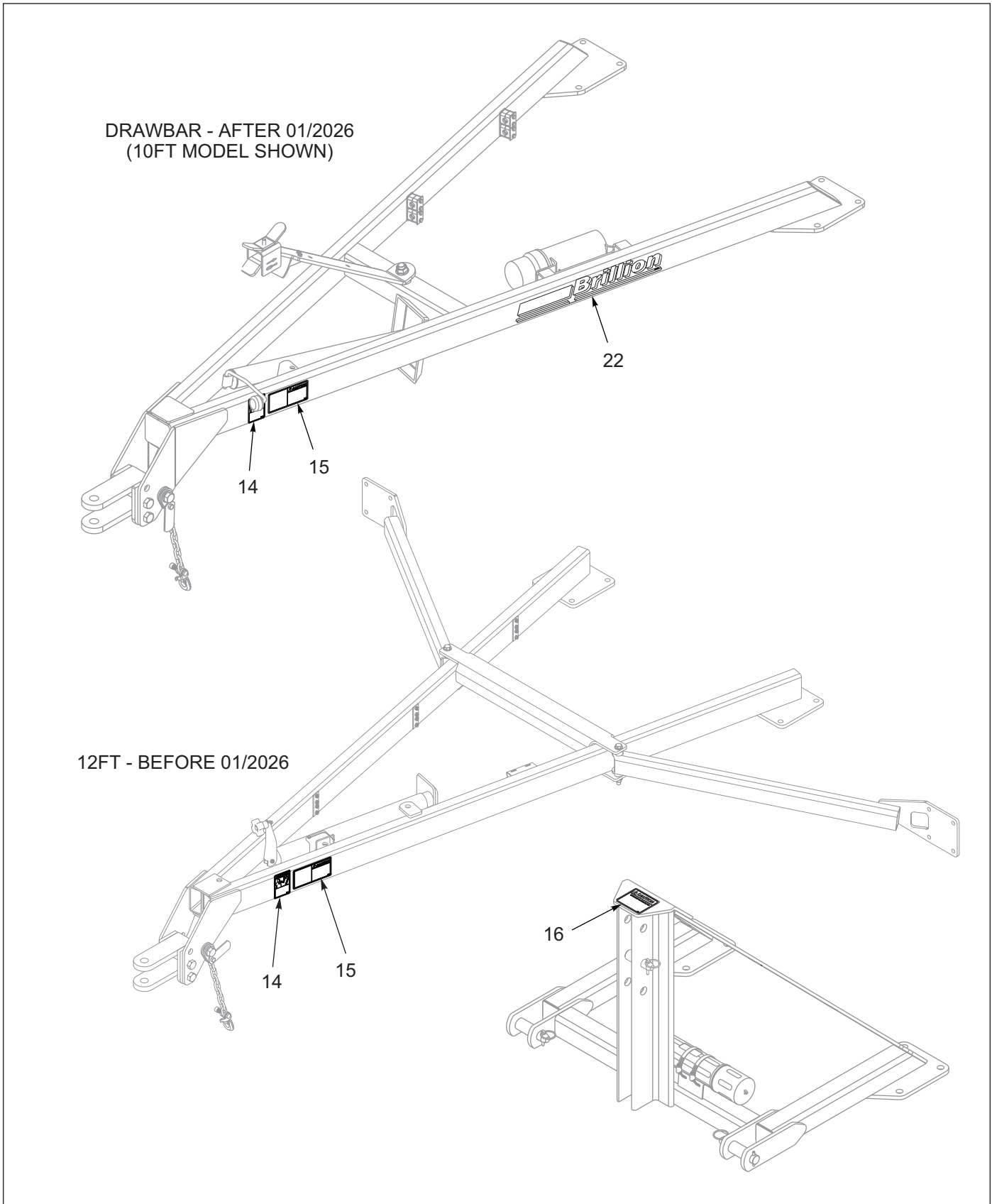


Figure 1-86: Decal Placement - Hitch

Decal Placement - 8FT, 10FT, 12FT (AFTER 01/2026)

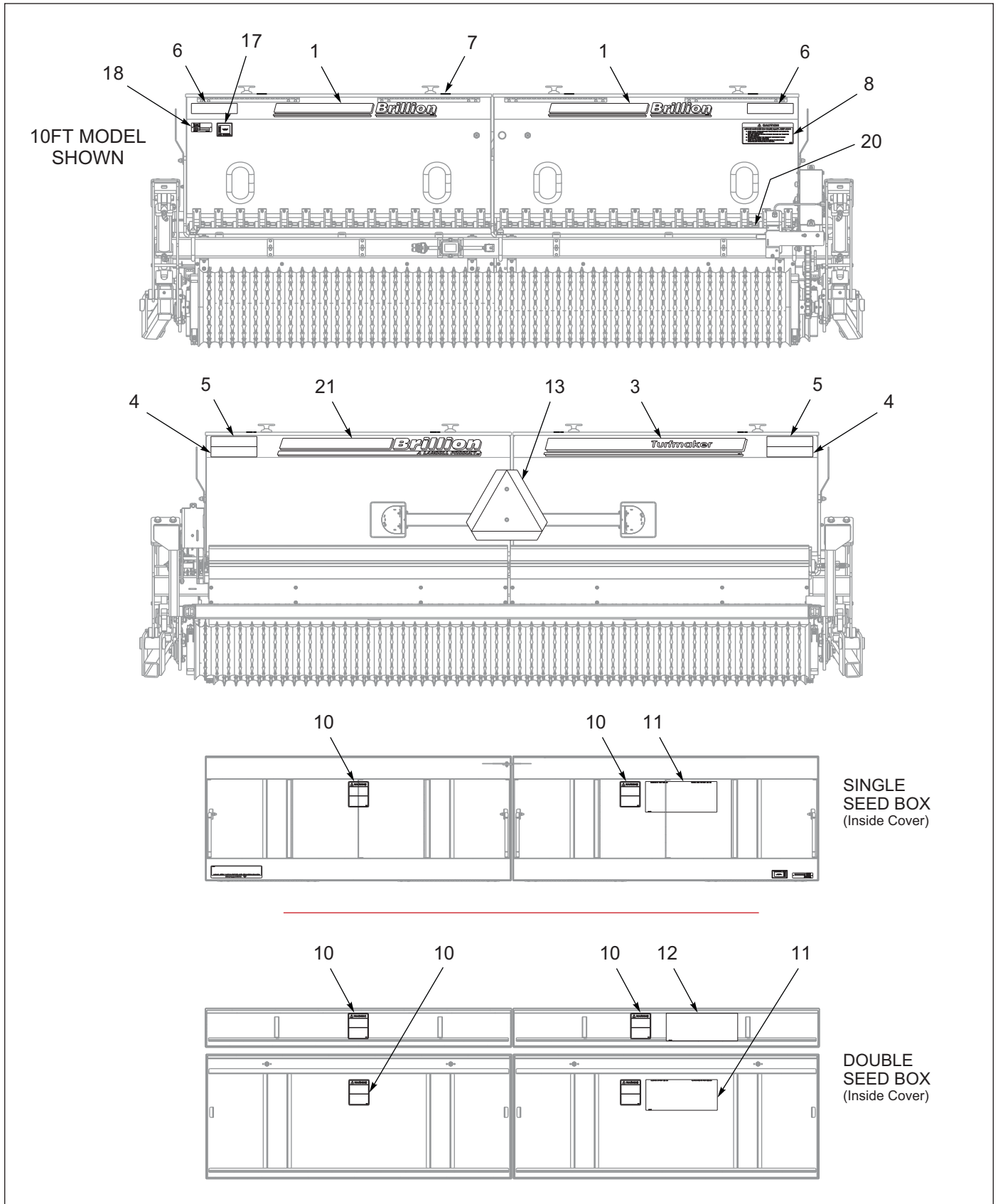


Figure 1-87: Decal Placement - 8FT, 10FT, 12FT (AFTER 01/2026)

Decal Placement - Single Box, 8FT and 10FT (BEFORE 01/2026)

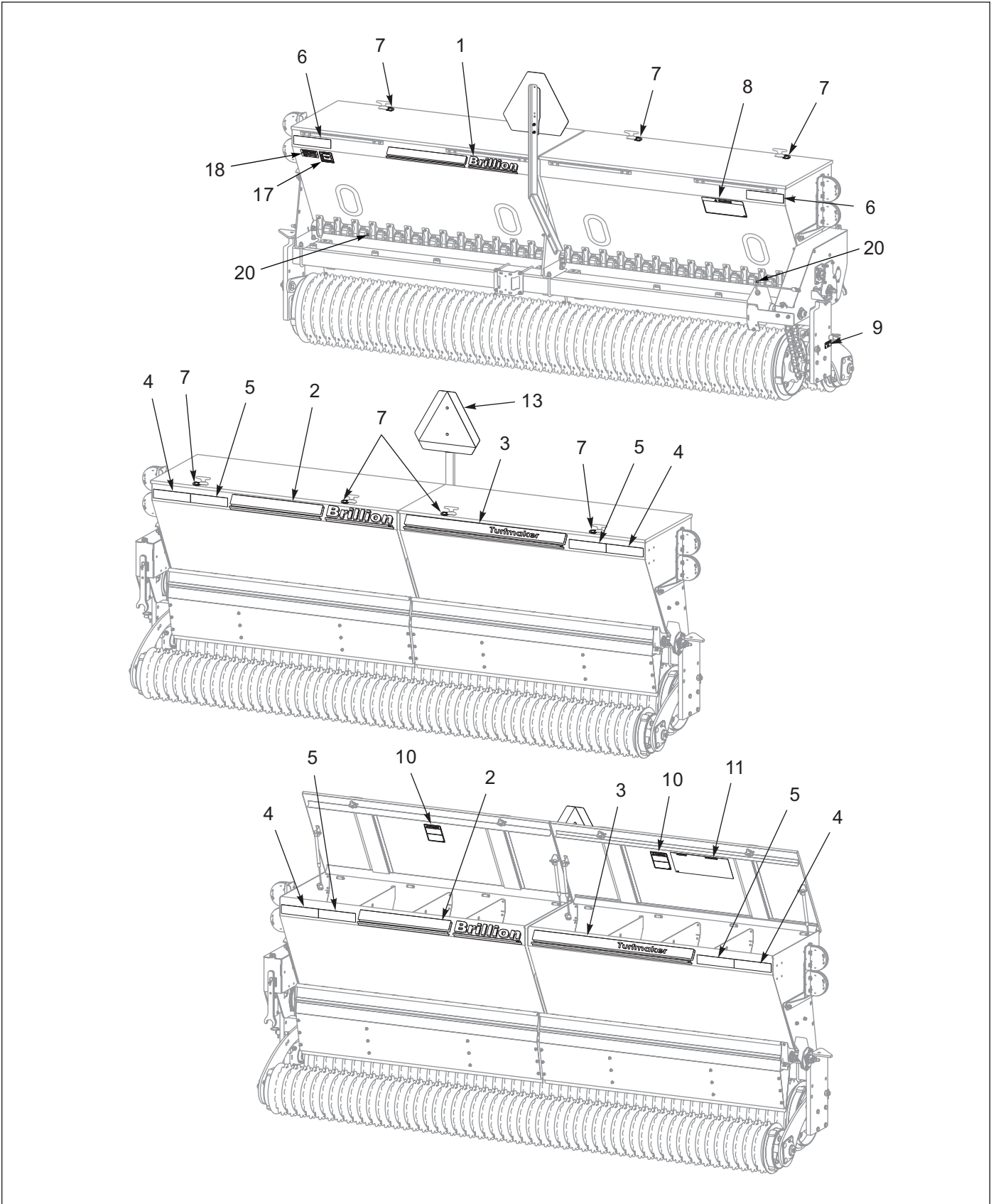


Figure 1-88: Decal Placement - Single Box, 8FT and 10FT (BEFORE 01/2026)

Decal Placement - Single Box, 12FT (BEFORE 01/2026)

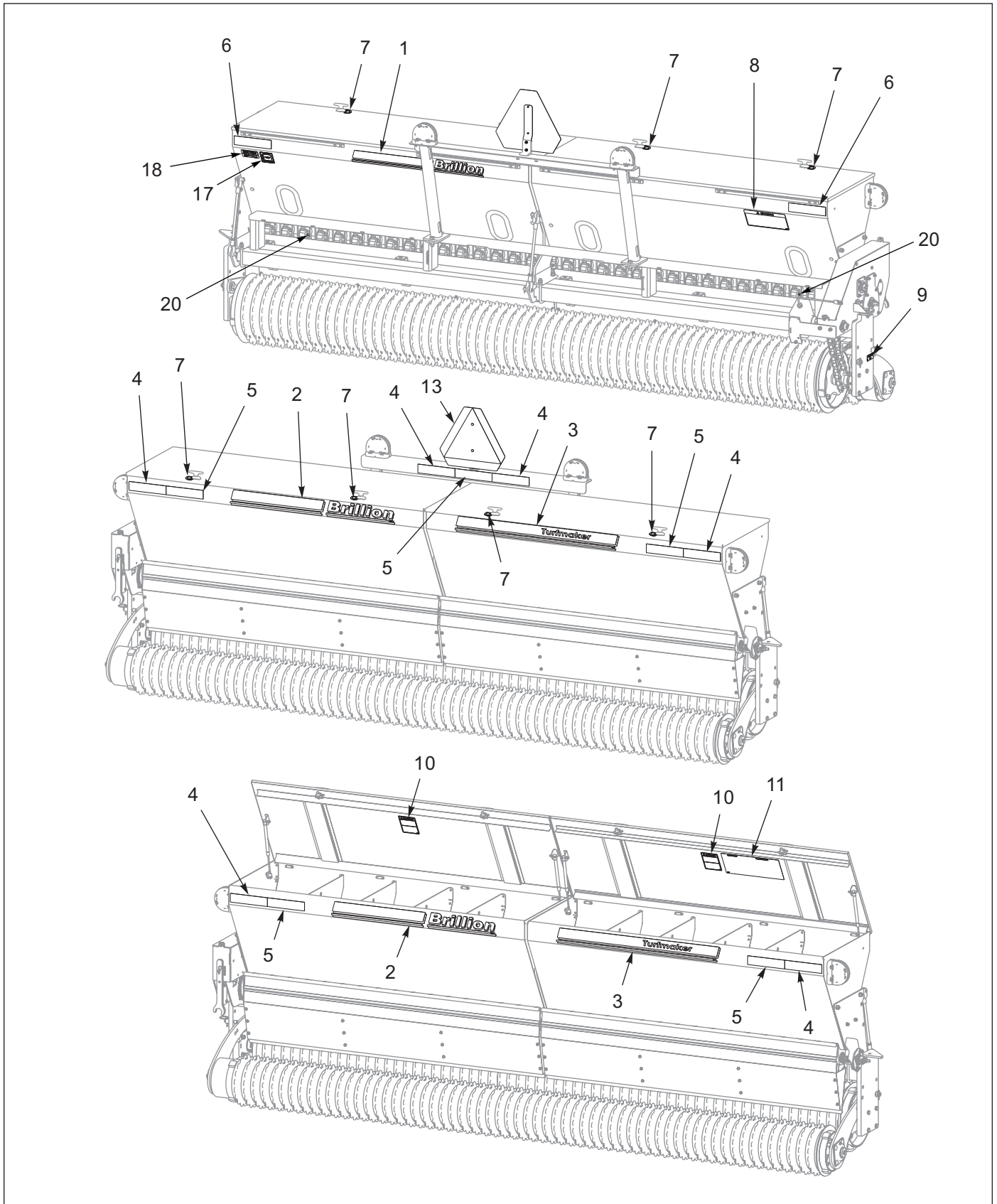


Figure 1-89: Decal Placement - Single Box, 12FT (BEFORE 01/2026)

Decal Placement - Double Box (BEFORE 01/2026)

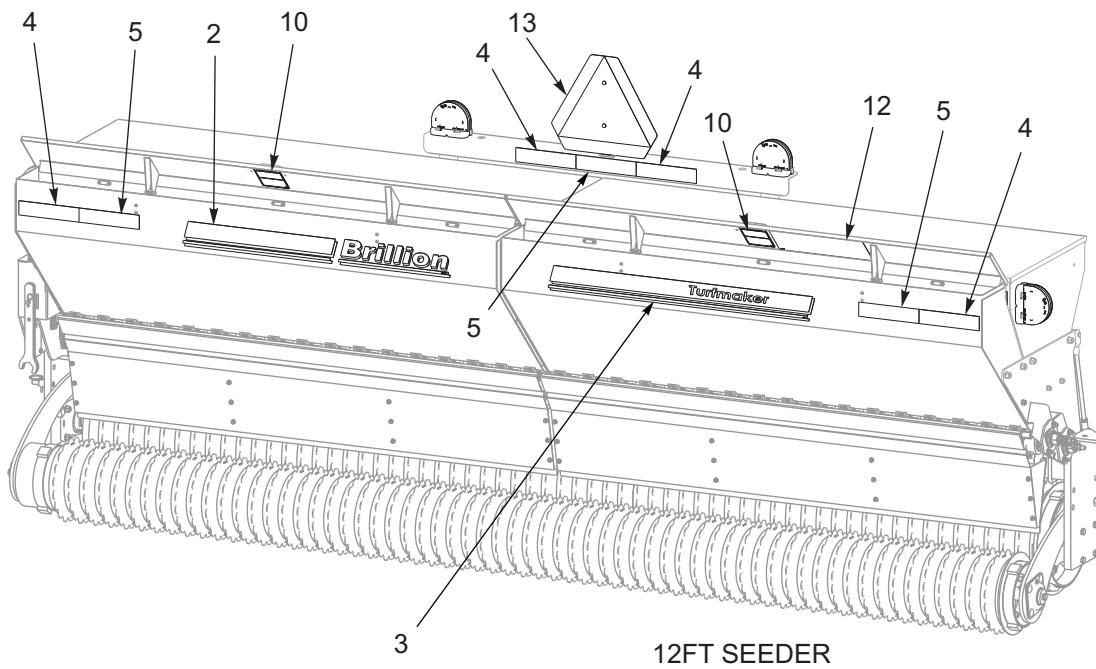
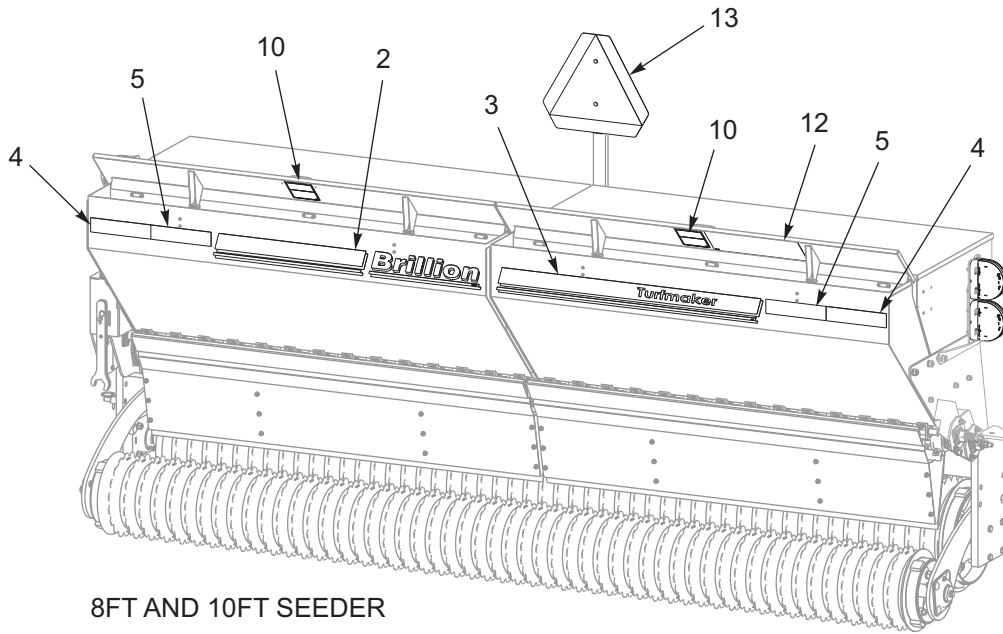


Figure 1-90: Decal Placement - Double Box (BEFORE 01/2026)

Glossary

For clarity this glossary of industry standard abbreviations and their definitions are provided.

A

ASM Assembly

B

BATT Battery
BHSC Button Head Socket Cap
BLK Black

C

CB Carriage Bolt
CONN Connector
CRG Carriage
CTSK Countersunk
CTWT Counterweight
CVR Cover
CYD Cylinder

D

DBL Double
DIA Diameter

E

ENCLSD Enclosed

F

FHCS Flanged Head Cap Screw
FHHCS Flanged Hex Head Cap Screw
FL OR FLG Flange
FLT Flat

G

GA Gauge

H

HHCS Hex Head Cap Screw
HCS High Carbon Steel
HD Head
HLCL Helical
HCSKT Hex Socket
HSFC Hex Socket Flat Countersunk
HYD Hydraulic

I

ID Inside Diameter

L

LH Lefthand
LKG OR LOCK Locking
LWR Lower

M

MANF Manifold
MNT Mount

N

NRW Narrow
 ----- Not Serviced Separately

O

OD Outside Diameter
OHG Overhead Guard
ORFS OR ORS O-Ring Seal
ORP OR ORB O-Ring Boss

P

P-STEER Power Steering
PTFE Polytetrafluoroethylene (Teflon)

R

RH Righthand
RND Round

S

SER Series
SHCS Socket Head Cap Screw
SHLD Shield
SKT Socket
SLFLKG Selflocking
SOC Socket
SPDT Single Pole Double Throw
SPR Spring
SQ Square
SRTD Serrated
SSCR Setscrew
SST Stainless Steel
STD Standard

U

UPR Upper

W

WHL Wheel
WLD OR WLDMT Weldment

Numerics

101386	1-69, 1-73	118-5098	1-99, 1-118
101510	1-43	118577	1-38, 1-39, 1-40, 1-124
101864	1-105	119716	1-46, 1-50, 1-54, 1-58, 1-62
101988	1-107	121031	1-33, 1-35
103841	1-3	121443	1-63
104031	1-45, 1-54	122404	1-128
104032	1-81, 1-95, 1-97	122405	1-128
104665	1-37	122709	1-88, 1-113, 1-117
104877	1-81, 1-87	126561	1-81, 1-87
105-0093	1-7, 1-9, 1-15, 1-17, 1-19, 1-21, 1-23, 1-25	128300	1-45
105-0214	1-65, 1-95, 1-97, 1-98, 1-99, 1-118	1-298-010001-1	1-27, 1-28, 1-29, 1-37
105-0228	1-123	12D6E	1-118
105874	1-93, 1-95, 1-97	137654	1-128
105909	1-5, 1-11, 1-17, 1-45, 1-53, 1-81, 1-87	139213	1-33, 1-35
1-065-010011	1-41	139603	1-45, 1-49, 1-53, 1-57, 1-77, 1-79
107-0814	1-131	139974	1-128
1-076-010007	1-28	141247	1-3
1-076-010008	1-29	141249	1-3
1-076-010010	1-28	141433	1-3, 1-7, 1-9, 1-15
108213	1-81, 1-87	141828	1-33, 1-35
108417	1-5, 1-7, 1-11, 1-13, 1-15, 1-17, 1-19, 1-21, 1-23, 1-25, 1-81, 1-98, 1-99	141881	1-33, 1-35
108787	1-113, 1-117	141886	1-33, 1-35
109394	1-119	142753	1-3
109410	1-119	147072	1-27
110-0344	1-29	1-511-010001-03	1-88
111-0600	1-99	1-511-010001-05	1-79
111-2589-13	1-69, 1-73	1-511-010002-05	1-74
111276	1-53	1-512-010003-06	1-119
1-116-010019	1-7, 1-9, 1-15, 1-17, 1-19, 1-21, 1-23, 1-25	1-512-010004-03	1-5, 1-17
115958	1-63	1-512-010005-01	1-3, 1-93, 1-95, 1-97
1-161-010003	1-28	1-512-010005-03	1-53
116432	1-33, 1-35	1-512-010005-05	1-5, 1-11, 1-17, 1-67, 1-69, 1-71, 1-73, 1-77, 1-85
116491	1-33, 1-35	1-512-010005-09	1-5, 1-9, 1-17, 1-27, 1-41, 1-43, 1-46, 1-54, 1-77, 1-81, 1-85, 1-87, 1-93, 1-109
117721	1-45, 1-49, 1-53, 1-57, 1-61	1-512-010005-13	1-53, 1-61, 1-67, 1-69, 1-71, 1-73, 1-97, 1-99

1-512-010005-15	1-3, 1-7, 1-9, 1-11, 1-15, 1-17, 1-67, 1-69, 1-71, 1-73	1-654-010049-05	1-49, 1-53, 1-57, 1-61, 1-81, 1-87, 1-95, 1-97
1-512-010007-02	1-99, 1-118	1-654-010049-06	1-81, 1-87
1-512-010007-03	1-62, 1-87, 1-113, 1-117, 1-118, 1-120, 1-121	1-654-010051-05	1-49, 1-57, 1-79, 1-85, 1-119, 1-120, 1-121
1-512-010007-05	1-81, 1-82, 1-83, 1-87	1-654-010051-06	1-15, 1-25, 1-45, 1-49, 1-57, 1-61, 1-77, 1-79, 1-85, 1-109
1-512-010007-06	1-7, 1-11, 1-13, 1-15, 1-19, 1-21, 1-23, 1-25, 1-49, 1-53, 1-57, 1-61, 1-81, 1-87	1-654-010051-07	1-77, 1-79, 1-85, 1-95
1-512-010007-07	1-3, 1-7, 1-13, 1-15, 1-19, 1-21, 1-23, 1-25, 1-45, 1-49, 1-53, 1-57, 1-61, 1-79, 1-85, 1-95, 1-97, 1-105, 1-109, 1-119, 1-120, 1-121	1-654-010051-11	1-67, 1-69, 1-71, 1-73, 1-109
1-512-010007-09	1-5, 1-7, 1-13, 1-15, 1-19, 1-21, 1-23, 1-25, 1-37, 1-41, 1-43, 1-50, 1-58, 1-61, 1-69, 1-79, 1-85, 1-105, 1-107, 1-109	1-654-010051-13	1-109
1-512-010007-11	1-3, 1-7, 1-9, 1-15, 1-19, 1-21, 1-23, 1-25, 1-37, 1-45, 1-49, 1-57, 1-61	1-654-010055-01	1-46, 1-50, 1-58
1-512-010007-14	1-81, 1-87	1-654-010055-02	1-21, 1-23, 1-43, 1-50, 1-58, 1-61, 1-69, 1-79, 1-85, 1-105
151273	1-113, 1-123, 1-128	1-654-010055-03	1-5, 1-7, 1-11, 1-13, 1-15, 1-17, 1-19, 1-21, 1-23, 1-25, 1-43, 1-77, 1-85, 1-113, 1-117
1-516-010001-20	1-28	1-654-010055-04	1-37, 1-69, 1-77, 1-79, 1-85, 1-93, 1-109
153861	1-121	1-654-010055-09	1-27
153862	1-118	1-654-010055-17	1-107
154851	1-128	1-654-010059-01	1-53, 1-57, 1-61
154852	1-128	1-654-010059-03	1-7, 1-9, 1-15, 1-67, 1-69
155528	1-33, 1-35	1-654-010059-04	1-67, 1-97, 1-99
1-557-010327	1-17, 1-19, 1-21, 1-23, 1-25, 1-62	1-654-010059-05	1-69
1-557-010362-51	1-27, 1-28, 1-37, 1-46, 1-54	1-654-010059-06	1-53, 1-57, 1-71, 1-73
155871	1-88, 1-89	1-654-010059-07	1-45, 1-49, 1-53, 1-57
155872	1-88, 1-89	1-654-010059-08	1-45, 1-49, 1-53, 1-57
155873	1-88, 1-89	1-654-010059-11	1-61
1-573-010006	1-131	1-654-010061-06	1-3, 1-7, 1-9, 1-15
163981	1-46, 1-50, 1-54, 1-58, 1-62	1-654-010070-02	1-46, 1-54
1-647-010004177	1-82, 1-83	1-654-010070-03	1-41, 1-93
1-647-010004217	1-43, 1-45, 1-49, 1-53, 1-57, 1-61	1-656-010003051	1-118, 1-120, 1-121
1-647-010004221	1-17	165622	1-118
1-654-010047-04	1-93, 1-98, 1-99	166297	1-128
1-654-010047-05	1-3, 1-93	166298	1-128
1-654-010047-06	1-3, 1-95, 1-97	169690	1-37
1-654-010047-07	1-93, 1-95, 1-97, 1-98, 1-99	169980	1-9
1-654-010047-08	1-33, 1-93, 1-95, 1-97	169984	1-9
1-654-010047-09	1-81	169990	1-9
1-654-010047-16	1-93	169995	1-69
1-654-010049-03	1-7, 1-13, 1-15, 1-19, 1-21, 1-23, 1-25, 1-49	169996	1-74
		169997	1-74
		169998	1-69, 1-73, 1-74

170000	1-69, 1-75	1-861-010032-10	1-5, 1-11, 1-17, 1-46, 1-77, 1-85
170002	1-69	1-861-010032-11	1-79, 1-85, 1-95, 1-105, 1-109, 1-119, 1-120
170003	1-75	1-861-010032-14	1-5, 1-9, 1-17, 1-21, 1-23, 1-43, 1-77
170004	1-27	1-861-010032-15	1-69, 1-77, 1-79, 1-85, 1-105
170008	1-21, 1-23, 1-79	1-861-010032-19	1-45, 1-49, 1-53, 1-57, 1-61
170509	1-131	1-861-010032-20	1-3, 1-7, 1-9, 1-15, 1-17, 1-29
170943	1-120	1-861-010032-21	1-67, 1-69, 1-71, 1-73
170946	1-120	1-861-010032-24	1-28
170948	1-120	1-861-010034-07	1-61, 1-63, 1-87, 1-113, 1-117, 1-118, 1-121
171749	1-100, 1-101, 1-102	1-861-010034-09	1-45, 1-49, 1-53, 1-57, 1-61, 1-81, 1-82, 1-83, 1-87
172882	1-45, 1-49, 1-53, 1-57	1-861-010034-10	1-7, 1-13, 1-15, 1-19, 1-21, 1-23, 1-25, 1-49, 1-53, 1-57, 1-61, 1-81, 1-87
172935	1-123	1-861-010034-11	1-7, 1-13, 1-15, 1-19, 1-21, 1-23, 1-25, 1-49, 1-53, 1-57, 1-61, 1-79, 1-85, 1-95, 1-97, 1-105, 1-109, 1-119, 1-120, 1-121
174399	1-113, 1-117	1-861-010034-12	1-107
174419	1-113, 1-117	1-861-010034-13	1-5, 1-7, 1-13, 1-15, 1-19, 1-21, 1-23, 1-25, 1-37, 1-41, 1-43, 1-50, 1-58, 1-61, 1-69, 1-79, 1-85, 1-105, 1-107, 1-109
174434	1-113, 1-117	1-861-010034-15	1-3, 1-7, 1-9, 1-15, 1-19, 1-21, 1-23, 1-25, 1-37, 1-49, 1-53, 1-57, 1-61
174435	1-93, 1-95, 1-97	188858	1-123
174436	1-93, 1-95, 1-97	190884	1-101
174437	1-93, 1-95, 1-97	191399	1-37
178506	1-95, 1-97	192069	1-63
178513	1-97	193218	1-37
178514	1-93, 1-95, 1-97	193219	1-37
178515	1-93, 1-95, 1-97	193220	1-37
178525	1-93, 1-95	194102	1-129
178529	1-95, 1-97	194103	1-129
1-796-010003-01	1-123	194104	1-129
180642	1-21, 1-23, 1-85	194105	1-129
185216	1-5, 1-7, 1-11, 1-13, 1-15, 1-17, 1-19, 1-21, 1-23, 1-25, 1-45, 1-49, 1-53, 1-57	194106	1-129
185944	1-123	194107	1-129
185948	1-123	194108	1-129
185975	1-123	194109	1-129
185984	1-123	194110	1-129
185985	1-113, 1-117, 1-123	194111	1-129
185996	1-123	194744	1-129
1-861-010032-02	1-99, 1-113, 1-117, 1-118		
1-861-010032-03	1-63, 1-113, 1-117		
1-861-010032-06	1-3, 1-90, 1-93, 1-95, 1-97		
1-861-010032-07	1-3, 1-93, 1-113, 1-117		
1-861-010032-08	1-45, 1-49, 1-53, 1-57		
1-861-010032-09	1-81, 1-87, 1-95, 1-97		

194745	1-129	1K639	1-46, 1-50, 1-54, 1-58, 1-61
194840	1-128	1P340	1-45, 1-49, 1-53, 1-57, 1-61
194841	1-113, 1-117, 1-128	1P443	1-126
194903	1-128	1P742	1-126
194904	1-128	1P805	1-126
197150	1-113, 1-117	200829	1-3
199554	1-11, 1-13, 1-15, 1-21, 1-23, 1-25	202702-8-8S	1-33, 1-35
199555	1-11, 1-13, 1-15, 1-21, 1-23, 1-25	2033-8-8S	1-33, 1-35
1C192	1-90	208527	1-113, 1-117
1C193	1-90	208528	1-113, 1-117
1C199	1-87, 1-90	2107649	1-28, 1-29
1C212	1-90	219228	1-45, 1-49, 1-53, 1-57
1C213	1-61, 1-87, 1-120, 1-121	222829	1-45, 1-49, 1-53, 1-57
1C245	1-88, 1-89	222836 .	1-5, 1-7, 1-11, 1-13, 1-17, 1-19, 1-21, 1-23, 1-45, 1-49, 1-77, 1-79
1C272	1-88, 1-89	222837	1-45, 1-49, 1-53, 1-57
1C277	1-126	222840	1-45, 1-49, 1-53, 1-57
1C357	1-117, 1-123	222842	1-45, 1-49, 1-53, 1-57
1C460ER	1-93	222843	1-45, 1-49, 1-53, 1-57
1C675	1-9	224152	1-45, 1-49
1C968	1-38, 1-39	224154	1-45, 1-49, 1-53, 1-57
1D273	1-29	224155	1-53, 1-57
1D598	1-45, 1-49, 1-53, 1-57, 1-61	224156	1-45, 1-49, 1-53, 1-57
1D617	1-81, 1-87	224159	1-46, 1-54
1J390	1-29	224160	1-45, 1-49
1J463	1-29	224166 .	1-5, 1-7, 1-11, 1-13, 1-17, 1-19, 1-21, 1-23, 1-43, 1-45, 1-49
1J834	1-107	224167	1-7, 1-11, 1-13, 1-17, 1-19, 1-21, 1-23, 1-43, 1-53, 1-57
1J887	1-107	224168	1-7, 1-11, 1-13, 1-17, 1-19, 1-21, 1-23, 1-53, 1-57, 1-85
1K020	1-3, 1-5, 1-7	224171	1-53, 1-57
1K023	1-87	224172	1-53, 1-57
1K138	1-88	224187	1-131
1K212	1-100, 1-101, 1-102, 1-105	224188	1-131
1K214	1-105	2-318-010009	1-65
1K215	1-105	233476	1-113, 1-117
1K219	1-105	233477	1-113, 1-117
1K220	1-105	233479	1-113, 1-117
1K221	1-105	233480	1-113, 1-117
1K224	1-105	233481	1-113, 1-117
1K225	1-105		
1K228	1-105		
1K470	1-37		

233483	1-113, 1-117	250122	1-3, 1-11
233485	1-113, 1-117	250128	1-17
233490	1-113, 1-117	25079	1-95, 1-97, 1-118
233496	1-117	253359	1-119
234115	1-113, 1-117	253360	1-119
234173	1-27, 1-28	253361	1-118, 1-119
234174	1-28	254817	1-119
234192	1-117	2C055	1-124
234195	1-113, 1-117	2C112	1-38, 1-39, 1-40, 1-124
234196	1-11, 1-13, 1-21, 1-23, 1-117	2C524	1-40, 1-124
234485	1-117	2C733	1-82, 1-83
234488	1-113, 1-117	2C801	1-40
235624	1-131	2C802	1-38, 1-39
2-368-010287	1-3, 1-95, 1-97	2D045	1-118
237780	1-113, 1-117	2D799	1-27
238886	1-81	2D894	1-19, 1-21, 1-23, 1-25
239-3646-6	1-65	2J155	1-107
23937	1-37	2J241	1-107
241280	1-113	2K123	1-131
241281	1-117	2K316	1-41
242499	1-100, 1-101, 1-102	2K453	1-87
244050	1-100, 1-101, 1-102	2K454	1-38
244058	1-100, 1-101, 1-102	2K455	1-40, 1-124
244061	1-100	2K460	1-37, 1-40
244062	1-101	2K461	1-37, 1-38
244063	1-102	2K467	1-105
244064	1-100	2K475	1-37
244065	1-102	2K480	1-37, 1-41
247351	1-3	2K481	1-37, 1-41
247354	1-11, 1-17, 1-77	2K496	1-107
247366	1-5, 1-11, 1-17, 1-77	2K503	1-45, 1-49, 1-53, 1-57, 1-61
247373	1-3	2K504	1-61
247391	1-85	2K522	1-41
247392	1-11, 1-85	2K526	1-105
247396	1-93	2K940	1-11, 1-13, 1-15, 1-17, 1-21, 1-23, 1-25
247419	1-93	2K957	1-43
247452	1-93	2P151	1-95, 1-97, 1-131
247493	1-5, 1-11, 1-17	2P252	1-100, 1-101, 1-102
247494	1-43	2P253	1-100, 1-101, 1-102, 1-113, 1-117
247496	1-17	2P735	1-126

3/4-16HSN	1-29	5D157	1-17, 1-19, 1-21, 1-23, 1-25
3-272-010017	1-65	5D158	1-17, 1-19, 1-21, 1-23, 1-25
3D478	1-45, 1-49, 1-53, 1-57, 1-61	5J358	1-107
3J450	1-11, 1-17	5J601	1-109
3J561	1-9, 1-100, 1-101, 1-102, 1-105, 1-107	5J603	1-109
3J951	1-109	5J616	1-107
3K706	1-131	5J650	1-126, 1-127
4000671	1-128	5J915	1-100, 1-101, 1-102, 1-105
4001294	1-123, 1-128	5K100	1-45, 1-49, 1-53, 1-57, 1-61
4C129	1-31	5K141	1-82, 1-83
4C580	1-37	5K143	1-82, 1-83
4C688	1-38, 1-39	5K144	1-82, 1-83
4C689	1-40, 1-124	5K154	1-45, 1-49, 1-53, 1-57, 1-61
4C856	1-109, 1-127	5K155	1-82, 1-83
4D401	1-87	5K156	1-46, 1-50, 1-54, 1-58, 1-61
4D402	1-81, 1-87	5K157	1-81
4D413	1-81, 1-87	5K178	1-45, 1-49, 1-53, 1-57, 1-61
4D645	1-37	5K201	1-43, 1-45, 1-49, 1-54, 1-58, 1-61
4J548	1-27	5K202	1-88
4J867	1-3, 1-7, 1-9, 1-15	5K203	1-89
4J918 ..	1-5, 1-7, 1-13, 1-15, 1-19, 1-21, 1-23, 1-25, 1-109	5K204	1-43, 1-61
4K036	1-131	5K205	1-87, 1-88
4K037	1-131	5K206	1-87, 1-89
4K039	1-131	5K207	1-81, 1-82
4K388	1-131	5K208	1-81, 1-83
4K607	1-33, 1-35	5K209	1-45, 1-49, 1-53, 1-57, 1-61, 1-118
4K636	1-3, 1-7, 1-9, 1-15	5K218	1-85, 1-87
4K900	1-33	5K226	1-45, 1-49, 1-54, 1-58, 1-61
4K903	1-33	5K227	1-46, 1-50, 1-54, 1-58, 1-61
4K913	1-124	5K228	1-43, 1-46, 1-50, 1-54, 1-58, 1-61
4K956	1-46, 1-50, 1-54, 1-58, 1-61, 1-63	5K229	1-45, 1-49, 1-53, 1-57, 1-61
528933	1-131	5K230	1-61
528934	1-131	5K238 ..	1-7, 1-13, 1-15, 1-19, 1-21, 1-23, 1-25, 1-85
528938	1-131	5K243	1-5, 1-7, 1-19, 1-79
57081	1-65	5K244 ..	1-7, 1-13, 1-15, 1-19, 1-21, 1-23, 1-25, 1-79
5C100	1-27	5K262	1-113, 1-117, 1-118
5C912	1-29	5K267	1-46, 1-50, 1-54, 1-58, 1-62
5D129	1-119, 1-120, 1-121	5K268	1-65
5D156	1-17, 1-19, 1-21, 1-23, 1-25	5K271	1-43
		5K273	1-46, 1-50, 1-54, 1-58, 1-61

5K275	1-118	5K400	1-65
5K277	1-118	5K402	1-65
5K279	1-124	5K416	1-65
5K280	1-124	5K467	1-63
5K281	1-124	5K468	1-63
5K285	1-131	5K470	1-63
5K286	1-131	5K471	1-63
5K287	1-98, 1-99	5K472	1-63
5K289	1-85, 1-87	5K473	1-63
5K290	1-85, 1-87	5K474	1-63
5K294	1-65	5K476	1-63
5K295	1-88	5K489	1-63
5K296	1-89	5K491	1-63
5K297	1-87, 1-88	5K725	1-74, 1-75
5K298	1-87, 1-89	5K968	1-81, 1-87
5K301	1-88	5K970	1-7, 1-13, 1-15, 1-19, 1-25, 1-85
5K302	1-89	5K972	1-7, 1-13, 1-15, 1-19, 1-25, 1-79
5K303	1-87, 1-88	6C400	1-43
5K304	1-87, 1-89	6C468	1-126
5K307	1-11, 1-13, 1-17, 1-21, 1-23	6D300	1-7
5K308	1-5, 1-7, 1-17, 1-19	6D312	1-30
5K309	1-5, 1-7, 1-17, 1-19	6D336	1-28
5K310	1-118, 1-120	6D338	1-28
5K311	1-45, 1-49, 1-53, 1-57, 1-61, 1-82	6D529	1-17, 1-19, 1-21, 1-23, 1-25
5K312	1-83	6D918	1-127
5K313	1-81, 1-82	6J189	1-31
5K314	1-81, 1-83	6J448	1-27
5K315	1-45, 1-49, 1-53, 1-57, 1-61, 1-82	6J542	1-127
5K316	1-83	6J544	1-127
5K317	1-81, 1-82	6J546	1-127
5K318	1-81, 1-83	6K458	1-3, 1-7
5K319	1-43	6K516	1-61
5K332	1-118	6K646	1-17, 1-19
5K385	1-95	6K647	1-17, 1-19
5K387	1-65	6K649	1-17, 1-19, 1-21, 1-23, 1-25
5K388	1-65	6K859	1-7, 1-19, 1-85
5K393	1-27	6K889	1-67, 1-71
5K394	1-27	6K890	1-67, 1-71
5K395	1-131	6K891	1-67, 1-69, 1-71, 1-73
5K398	1-65	6K911	1-27, 1-31

6K919	1-27, 1-30	8K660	1-99
6K921	1-27, 1-30	8K661	1-98, 1-99
6K924	1-27, 1-31	8K663	1-99
6K926	1-27, 1-31	8K664	1-15, 1-98, 1-99
6K937	1-11, 1-13, 1-15, 1-21, 1-23, 1-25, 1-85	8K885	1-7, 1-9, 1-15
6K939	1-13, 1-15, 1-21, 1-23, 1-25, 1-79	9D767	1-5, 1-7, 1-11, 1-13, 1-15, 1-17, 1-19, 1-21, 1-23, 1-25
70260977	1-93, 1-131	9D854	1-53, 1-57, 1-61
712099	1-28, 1-29	9D903	1-45, 1-49, 1-54, 1-58, 1-61
71508979	1-33, 1-35	9D923	1-27, 1-37
71508984	1-33, 1-35	9J301	1-131
71508987	1-33, 1-35	9J302	1-131
7D014	1-107	9J311	1-3, 1-5, 1-7
7D728	1-107	9J330	1-29
7D759	1-45, 1-49, 1-53, 1-57, 1-82, 1-83	9J331	1-27, 1-29
7D937	1-87	9J336	1-37, 1-40
7D938	1-87	9J337	1-40, 1-124
7J088	1-109	9J338	1-37
7J093	1-109	9J349	1-37, 1-38
7J095	1-109	9J350	1-38
7J096	1-109	9J351	1-37
7J127	1-27	9J353	1-7, 1-15
7J140	1-7, 1-13, 1-15, 1-19, 1-21, 1-23, 1-25	9J367	1-61
7J990	1-3, 1-7, 1-9, 1-15, 1-19, 1-21, 1-23, 1-25	9J379	1-61
7K113	1-45, 1-49, 1-53, 1-57	9J391	1-61
7K528	1-71, 1-73	9J392	1-61
7K529	1-71, 1-73	9J395	1-62
7K533	1-67, 1-69, 1-71, 1-73	9J399	1-37
7K584	1-67, 1-69	9J400	1-27
7K585	1-67, 1-69	9J405	1-5, 1-7, 1-11, 1-13, 1-15, 1-17, 1-19, 1-21, 1-23, 1-25
7K591	1-82, 1-83	9J408	1-5, 1-7, 1-17, 1-19
7K658	1-82, 1-83	9J415	1-87
7K659	1-82, 1-83	9J429	1-131
81264	1-65	9J433	1-81
8C892	1-45, 1-49, 1-53, 1-57	9J437	1-27
8J309	1-131	9J438	1-107
8J789	1-31	9J440	1-27, 1-33, 1-35, 1-126, 1-127
8J790	1-30, 1-31	9J442	1-19, 1-21, 1-23, 1-25
8J791	1-30, 1-31	9J474	1-107
8J792	1-30, 1-31		
8K659	1-99		

9J477	1-107	9K741	1-121
9J579	1-107	9K743	1-77, 1-79, 1-95, 1-98
9J655	1-127	9K746	1-97, 1-99
9J656	1-127	9K784	1-98, 1-99
9J895	1-40, 1-124	9K787	1-98
9J896	1-38	9K788	1-131
9J897	1-37, 1-40		
9J898	1-37, 1-38		
9J913	1-5, 1-7, 1-17, 1-19		
9J924	1-43		
9J931	1-107		
9J932	1-109		
9J942	1-109		
9J962	1-107		
9K228	1-82, 1-83		
9K260	1-39		
9K261	1-39		
9K262	1-39		
9K265	1-37		
9K270	1-37, 1-39		
9K271	1-37, 1-39		
9K272	1-37, 1-39		
9K406	1-37		
9K412	1-77, 1-79, 1-81		
9K413	1-81		
9K416	1-81		
9K424	1-81		
9K425	1-81		
9K426	1-77, 1-79		
9K427	1-77, 1-79		
9K494	1-77, 1-79, 1-81		
9K495	1-81		
9K496	1-77, 1-79, 1-81		
9K497	1-81		
9K731	1-98		
9K732	1-98		
9K735	1-13, 1-15		
9K736	1-21, 1-23, 1-25		
9K739	1-121		
9K740	1-119, 1-120, 1-121		

W

W908409-4	1-3, 1-9, 1-15
-----------	----------------

Instructions for Ordering Parts

**** Repair parts must be ordered through an Authorized Dealer ****

DEALER INSTRUCTIONS FOR ORDERING PARTS FROM LANDOLL PARTS DISTRIBUTION CENTER

Phone: 800-423-4320 or 785-562-5381

Fax: 888-527-3909

Order online: dealer.landoll.com

DATA PLATE

The Data Plate, which lists the model and serial number of the equipment, is located on the right side of the Landscape Seeder.

SERIAL NUMBER NOMENCLATURE

The following information will help decode the Landoll serial number.

LSD2100100 = xxmysssss

xx	= model series (i.e. "LS" for all Landscape Seeders)
m	= month of manufacture (ex. "D" means April. The letter I is not used.)
yy	= last digits of the year manufactured (ex. "21" means 2021)
sssss	= Sequential number used to track warranty and service information.

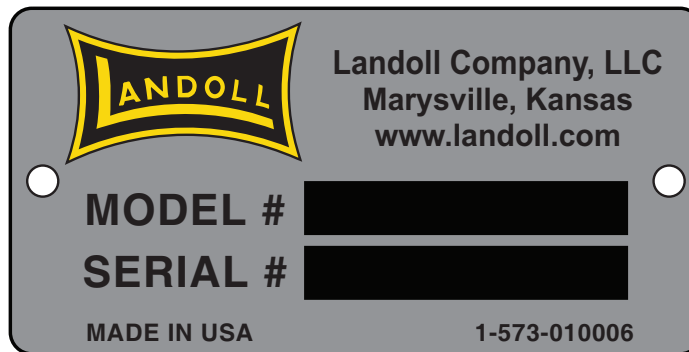


Figure: Data Plate

Manuals for Turfmaker II Seeder,

Models SL2081/SL2101/SL2121 and SLP2081/SLP2101/SLP2121

SLB2081/SLB2101/SLB2121 and SLPB2081/SLPB2101/SLPB2121

Manual Number	Manual Type
9K998	Operator's Manual
9K997	Parts Manual

Document Control Revision Log:

Date	Form #	Improvement(s): Description and Comments
05/2012		Initial Release
09/2020	9K997-0920	ECN 46429 - Updated Switch Box Assembly
06/2021	9K997-0621	ECN 47093 - Hub & Spindle Asm Update to 6 Bolt
05/2022	9K997-0522	ECN 46900, 47187, 47696 - Add Brillion Elite Mini Monitor by Loup ECN 47474 - Add QR Code Decals / Seed Shaft Decals Changes to LED Installation ECN 48123 - Switch Box Asm
06/2023	9K997-2306	Added "Tube Mounted Scraper Kits" *Revision Format "Year/Month"
08/2023	9K997-2308	Revision to Deflector pages ECN 49503 - Decal Change (Revised 11/2023)
01/2024	9K997-2401	ECN 49592 - 4D413 Bearing to 238886 Updated ISO logos to ISO 9001:2015 (Revised 04/2024)
01/2025	9K997-2501	ECN 50316 - 9J331 Hub and Spindle Asm
06/2025	9K997-2506	ECN 50859 - 4 Channel Acre Meter Console ECN 49985 - Rear Arm Assemblies (Revised 10/2025)
07/2026	9K997-2607	ECN 51603, 51340, 51657, 51681, 51719, 51757, 51773, 51820, 51865, 51914, 51929, 51958, 51997 Frame, Transmission Carriage Bolts, LED Warning Light Asm



intertek

Equipment from Landoll Company, LLC is built to exacting standards ensured by ISO 9001:2015 registration at all Landoll manufacturing facilities.

Turfmaker II
Models SL2081/SL2101/SL2121
SLP2081/SLP2101/SLP2121
SLB2081/SLB2101/SLB2121
SLPB2081/SLPB2101/SLPB2121
Parts Manual

Re-Order Part Number 9K997

LANDOLL COMPANY, LLC

1900 North Street

Marysville, Kansas 66508

(785) 562-5381

800-428-5655 ~ WWW.LANDOLL.COM



Copyright 2026. Landoll Company, LLC

“All rights reserved, including the right to reproduce this material or portions thereof in any form.”

